

32

SH7785

Hardware Manual

Renesas 32-Bit RISC Microcomputer
SuperH™ RISC Engine Family
SH7780 Series

Hardware Manual

Rev.1.00
Revision Date: Jan. 10, 2008

RenesasTechnology
www.renesas.com

Notes regarding these materials

1. This document is provided for reference purposes only so that Renesas customers may select the appropriate Renesas products for their use. Renesas neither makes warranties or representations with respect to the accuracy or completeness of the information contained in this document nor grants any license to any intellectual property rights or any other rights of Renesas or any third party with respect to the information in this document.
2. Renesas shall have no liability for damages or infringement of any intellectual property or other rights arising out of the use of any information in this document, including, but not limited to, product data, diagrams, charts, programs, algorithms, and application circuit examples.
3. You should not use the products or the technology described in this document for the purpose of military applications such as the development of weapons of mass destruction or for the purpose of any other military use. When exporting the products or technology described herein, you should follow the applicable export control laws and regulations, and procedures required by such laws and regulations.
4. All information included in this document such as product data, diagrams, charts, programs, algorithms, and application circuit examples, is current as of the date this document is issued. Such information, however, is subject to change without any prior notice. Before purchasing or using any Renesas products listed in this document, please confirm the latest product information with a Renesas sales office. Also, please pay regular and careful attention to additional and different information to be disclosed by Renesas such as that disclosed through our website. (<http://www.renesas.com>)
5. Renesas has used reasonable care in compiling the information included in this document, but Renesas assumes no liability whatsoever for any damages incurred as a result of errors or omissions in the information included in this document.
6. When using or otherwise relying on the information in this document, you should evaluate the information in light of the total system before deciding about the applicability of such information to the intended application. Renesas makes no representations, warranties or guaranties regarding the suitability of its products for any particular application and specifically disclaims any liability arising out of the application and use of the information in this document or Renesas products.
7. With the exception of products specified by Renesas as suitable for automobile applications, Renesas products are not designed, manufactured or tested for applications or otherwise in systems the failure or malfunction of which may cause a direct threat to human life or create a risk of human injury or which require especially high quality and reliability such as safety systems, or equipment or systems for transportation and traffic, healthcare, combustion control, aerospace and aeronautics, nuclear power, or undersea communication transmission. If you are considering the use of our products for such purposes, please contact a Renesas sales office beforehand. Renesas shall have no liability for damages arising out of the uses set forth above.
8. Notwithstanding the preceding paragraph, you should not use Renesas products for the purposes listed below:
 - (1) artificial life support devices or systems
 - (2) surgical implantations
 - (3) healthcare intervention (e.g., excision, administration of medication, etc.)
 - (4) any other purposes that pose a direct threat to human lifeRenesas shall have no liability for damages arising out of the uses set forth in the above and purchasers who elect to use Renesas products in any of the foregoing applications shall indemnify and hold harmless Renesas Technology Corp., its affiliated companies and their officers, directors, and employees against any and all damages arising out of such applications.
9. You should use the products described herein within the range specified by Renesas, especially with respect to the maximum rating, operating supply voltage range, movement power voltage range, heat radiation characteristics, installation and other product characteristics. Renesas shall have no liability for malfunctions or damages arising out of the use of Renesas products beyond such specified ranges.
10. Although Renesas endeavors to improve the quality and reliability of its products, IC products have specific characteristics such as the occurrence of failure at a certain rate and malfunctions under certain use conditions. Please be sure to implement safety measures to guard against the possibility of physical injury, and injury or damage caused by fire in the event of the failure of a Renesas product, such as safety design for hardware and software including but not limited to redundancy, fire control and malfunction prevention, appropriate treatment for aging degradation or any other applicable measures. Among others, since the evaluation of microcomputer software alone is very difficult, please evaluate the safety of the final products or system manufactured by you.
11. In case Renesas products listed in this document are detached from the products to which the Renesas products are attached or affixed, the risk of accident such as swallowing by infants and small children is very high. You should implement safety measures so that Renesas products may not be easily detached from your products. Renesas shall have no liability for damages arising out of such detachment.
12. This document may not be reproduced or duplicated, in any form, in whole or in part, without prior written approval from Renesas.
13. Please contact a Renesas sales office if you have any questions regarding the information contained in this document, Renesas semiconductor products, or if you have any other inquiries.

General Precautions in the Handling of MPU/MCU Products

The following usage notes are applicable to all MPU/MCU products from Renesas. For detailed usage notes on the products covered by this manual, refer to the relevant sections of the manual. If the descriptions under General Precautions in the Handling of MPU/MCU Products and in the body of the manual differ from each other, the description in the body of the manual takes precedence.

1. Handling of Unused Pins

Handle unused pins in accord with the directions given under Handling of Unused Pins in the manual.

The input pins of CMOS products are generally in the high-impedance state. In operation with an unused pin in the open-circuit state, extra electromagnetic noise is induced in the vicinity of LSI, an associated shoot-through current flows internally, and malfunctions may occur due to the false recognition of the pin state as an input signal. Unused pins should be handled as described under Handling of Unused Pins in the manual.

2. Processing at Power-on

The state of the product is undefined at the moment when power is supplied.

The states of internal circuits in the LSI are indeterminate and the states of register settings and pins are undefined at the moment when power is supplied.

In a finished product where the reset signal is applied to the external reset pin, the states of pins are not guaranteed from the moment when power is supplied until the reset process is completed.

In a similar way, the states of pins in a product that is reset by an on-chip power-on reset function are not guaranteed from the moment when power is supplied until the power reaches the level at which resetting has been specified.

3. Prohibition of Access to Reserved Addresses

Access to reserved addresses is prohibited.

The reserved addresses are provided for the possible future expansion of functions. Do not access these addresses; the correct operation of LSI is not guaranteed if they are accessed.

4. Clock Signals

After applying a reset, only release the reset line after the operating clock signal has become stable. When switching the clock signal during program execution, wait until the target clock signal has stabilized.

When the clock signal is generated with an external resonator (or from an external oscillator) during a reset, ensure that the reset line is only released after full stabilization of the clock signal. Moreover, when switching to a clock signal produced with an external resonator (or by an external oscillator) while program execution is in progress, wait until the target clock signal is stable.

5. Differences between Products

Before changing from one product to another, i.e. to one with a different type number, confirm that the change will not lead to problems.

The characteristics of MPU/MCU in the same group but having different type numbers may differ because of the differences in internal memory capacity and layout pattern. When changing to products of different type numbers, implement a system-evaluation test for each of the products.

Preface

This LSI is a RISC (Reduced Instruction Set Computer) microcomputer which includes a Renesas Technology-original RISC CPU (SH-4A) and various peripheral functions required to configure a system.

Target Users: This manual was written for users who will be using this LSI in the design of application systems. Users of this manual are expected to understand the fundamentals of electrical circuits, logical circuits, and microcomputers.

Objective: This manual was written to explain the hardware functions and electrical characteristics of this LSI to the above users.

Notes on reading this manual:

- In order to understand the overall functions of the chip
Read the manual according to the contents. This manual consists of parts on the CPU, system control functions, peripheral functions and electrical characteristics.
- In order to understand individual instructions in detail
Read the separate manuals SH-4A Extended Functions Software Manual and SH-4A Software Manual.

Rules:

Bit order:	The MSB is on the left and the LSB is on the right.
Number notation:	Binary is B'xxxx, hexadecimal is H'xxxx, decimal is xxxx.
Signal notation:	An overbar is added to active-low signals: xxxx

Abbreviations

ALU	Arithmetic Logic Unit
ASID	Address Space Identifier
BGA	Ball Grid Array
CMT	Timer/Counter (Compare Match Timer)
CPG	Clock Pulse Generator
CPU	Central Processing Unit
DDR	Double Data Rate
DDRIF	DDR-SDRAM Interface
DMA	Direct Memory Access
DMAC	Direct Memory Access Controller
FIFO	First-In First-Out
FPU	Floating-point Unit
HAC	Audio Codec
H-UDI	User Debugging Interface
INTC	Interrupt Controller
JTAG	Joint Test Action Group
LBSC	Local Bus State Controller
LRAM	L Memory
LRU	Least Recently Used
LSB	Least Significant Bit
MMCIF	Multimedia Card Interface
MMU	Memory Management Unit

MSB	Most Significant Bit
PC	Program Counter
PCI	Peripheral Component Interconnect
PCIC	PCI (local bus) Controller
PFC	Pin Function Controller
RISC	Reduced Instruction Set Computer
RTC	Realtime Clock
SCIF	Serial Communication Interface with FIFO
SIOF	Serial Interface with FIFO
SSI	Serial Sound Interface
TAP	Test Access Port
TLB	Translation Lookaside Buffer
TMU	Timer Unit
UART	Universal Asynchronous Receiver/Transmitter
UBC	User Break Controller
WDT	Watchdog Timer

All trademarks and registered trademarks are the property of their respective owners.

Contents

Section 1 Overview	1
1.1 Features of the SH7785	1
1.2 Block Diagram	13
1.3 Pin Arrangement Table	14
1.4 Pin Arrangement	22
1.5 Physical Memory Address Map	24
Section 2 Programming Model	25
2.1 Data Formats	25
2.2 Register Descriptions	26
2.2.1 Privileged Mode and Banks	26
2.2.2 General Registers	30
2.2.3 Floating-Point Registers	31
2.2.4 Control Registers	33
2.2.5 System Registers	35
2.3 Memory-Mapped Registers	39
2.4 Data Formats in Registers	40
2.5 Data Formats in Memory	40
2.6 Processing States	41
2.7 Usage Notes	43
2.7.1 Notes on Self-Modifying Code	43
Section 3 Instruction Set	45
3.1 Execution Environment	45
3.2 Addressing Modes	47
3.3 Instruction Set	52
Section 4 Pipelining	65
4.1 Pipelines	65
4.2 Parallel-Executability	76
4.3 Issue Rates and Execution Cycles	79
Section 5 Exception Handling	89
5.1 Summary of Exception Handling	89
5.2 Register Descriptions	89
5.2.1 TRAPA Exception Register (TRA)	90

5.2.2	Exception Event Register (EXPEVT).....	91
5.2.3	Interrupt Event Register (INTEVT).....	92
5.2.4	Non-Support Detection Exception Register (EXPMASK).....	93
5.3	Exception Handling Functions.....	95
5.3.1	Exception Handling Flow.....	95
5.3.2	Exception Handling Vector Addresses.....	95
5.4	Exception Types and Priorities.....	96
5.5	Exception Flow.....	98
5.5.1	Exception Flow.....	98
5.5.2	Exception Source Acceptance.....	100
5.5.3	Exception Requests and BL Bit.....	101
5.5.4	Return from Exception Handling.....	101
5.6	Description of Exceptions.....	102
5.6.1	Resets.....	102
5.6.2	General Exceptions.....	104
5.6.3	Interrupts.....	120
5.6.4	Priority Order with Multiple Exceptions.....	121
5.7	Usage Notes.....	123
Section 6 Floating-Point Unit (FPU).....		125
6.1	Features.....	125
6.2	Data Formats.....	126
6.2.1	Floating-Point Format.....	126
6.2.2	Non-Numbers (NaN).....	129
6.2.3	Denormalized Numbers.....	130
6.3	Register Descriptions.....	131
6.3.1	Floating-Point Registers.....	131
6.3.2	Floating-Point Status/Control Register (FPSCR).....	133
6.3.3	Floating-Point Communication Register (FPUL).....	136
6.4	Rounding.....	137
6.5	Floating-Point Exceptions.....	138
6.5.1	General FPU Disable Exceptions and Slot FPU Disable Exceptions.....	138
6.5.2	FPU Exception Sources.....	138
6.5.3	FPU Exception Handling.....	139
6.6	Graphics Support Functions.....	140
6.6.1	Geometric Operation Instructions.....	140
6.6.2	Pair Single-Precision Data Transfer.....	141
Section 7 Memory Management Unit (MMU).....		143
7.1	Overview of MMU.....	144

7.1.1	Address Spaces	146
7.2	Register Descriptions	152
7.2.1	Page Table Entry High Register (PTEH)	153
7.2.2	Page Table Entry Low Register (PTEL)	154
7.2.3	Translation Table Base Register (TTB)	155
7.2.4	TLB Exception Address Register (TEA)	156
7.2.5	MMU Control Register (MMUCR)	156
7.2.6	Page Table Entry Assistance Register (PTEA)	159
7.2.7	Physical Address Space Control Register (PASCRCR)	160
7.2.8	Instruction Re-Fetch Inhibit Control Register (IRMCR)	162
7.3	TLB Functions (TLB Compatible Mode; MMUCR.ME = 0)	164
7.3.1	Unified TLB (UTLB) Configuration	164
7.3.2	Instruction TLB (ITLB) Configuration	167
7.3.3	Address Translation Method	167
7.4	TLB Functions (TLB Extended Mode; MMUCR.ME = 1)	170
7.4.1	Unified TLB (UTLB) Configuration	170
7.4.2	Instruction TLB (ITLB) Configuration	173
7.4.3	Address Translation Method	174
7.5	MMU Functions	177
7.5.1	MMU Hardware Management	177
7.5.2	MMU Software Management	177
7.5.3	MMU Instruction (LDTLB)	178
7.5.4	Hardware ITLB Miss Handling	180
7.5.5	Avoiding Synonym Problems	181
7.6	MMU Exceptions	182
7.6.1	Instruction TLB Multiple Hit Exception	182
7.6.2	Instruction TLB Miss Exception	183
7.6.3	Instruction TLB Protection Violation Exception	184
7.6.4	Data TLB Multiple Hit Exception	185
7.6.5	Data TLB Miss Exception	185
7.6.6	Data TLB Protection Violation Exception	187
7.6.7	Initial Page Write Exception	188
7.7	Memory-Mapped TLB Configuration	190
7.7.1	ITLB Address Array	191
7.7.2	ITLB Data Array (TLB Compatible Mode)	192
7.7.3	ITLB Data Array (TLB Extended Mode)	193
7.7.4	UTLB Address Array	195
7.7.5	UTLB Data Array (TLB Compatible Mode)	196
7.7.6	UTLB Data Array (TLB Extended Mode)	197
7.8	32-Bit Address Extended Mode	199

7.8.1	Overview of 32-Bit Address Extended Mode.....	199
7.8.2	Transition to 32-Bit Address Extended Mode	200
7.8.3	Privileged Space Mapping Buffer (PMB) Configuration	200
7.8.4	PMB Function.....	202
7.8.5	Memory-Mapped PMB Configuration	203
7.8.6	Notes on Using 32-Bit Address Extended Mode.....	204
7.9	32-Bit Boot Function	207
7.9.1	Initial Entries to PMB.....	207
7.9.2	Notes on 32-Bit Boot.....	207
7.10	Usage Notes.....	209
7.10.1	Note on Using LDTLB Instruction.....	209
Section 8 Caches.....		211
8.1	Features.....	211
8.2	Register Descriptions.....	215
8.2.1	Cache Control Register (CCR)	216
8.2.2	Queue Address Control Register 0 (QACR0).....	218
8.2.3	Queue Address Control Register 1 (QACR1).....	219
8.2.4	On-Chip Memory Control Register (RAMCR)	220
8.3	Operand Cache Operation.....	222
8.3.1	Read Operation.....	222
8.3.2	Prefetch Operation	223
8.3.3	Write Operation	224
8.3.4	Write-Back Buffer	225
8.3.5	Write-Through Buffer.....	225
8.3.6	OC Two-Way Mode	226
8.4	Instruction Cache Operation	227
8.4.1	Read Operation.....	227
8.4.2	Prefetch Operation	227
8.4.3	IC Two-Way Mode.....	228
8.4.4	Instruction Cache Way Prediction Operation	228
8.5	Cache Operation Instruction	229
8.5.1	Coherency between Cache and External Memory	229
8.5.2	Prefetch Operation	231
8.6	Memory-Mapped Cache Configuration	232
8.6.1	IC Address Array.....	232
8.6.2	IC Data Array	234
8.6.3	OC Address Array	234
8.6.4	OC Data Array.....	236
8.6.5	Memory-Mapped Cache Associative Write Operation.....	237

8.7	Store Queues	238
8.7.1	SQ Configuration.....	238
8.7.2	Writing to SQ.....	238
8.7.3	Transfer to External Memory.....	239
8.7.4	Determination of SQ Access Exception.....	240
8.7.5	Reading from SQ	240
8.8	Notes on Using 32-Bit Address Extended Mode	241
 Section 9 On-Chip Memory		243
9.1	Features.....	243
9.2	Register Descriptions	246
9.2.1	On-Chip Memory Control Register (RAMCR)	247
9.2.2	OL memory Transfer Source Address Register 0 (LSA0).....	248
9.2.3	OL memory Transfer Source Address Register 1 (LSA1).....	250
9.2.4	OL memory Transfer Destination Address Register 0 (LDA0).....	252
9.2.5	OL memory Transfer Destination Address Register 1 (LDA1).....	254
9.3	Operation	256
9.3.1	Instruction Fetch Access from the CPU.....	256
9.3.2	Operand Access from the CPU and Access from the FPU	256
9.3.3	Access from the SuperHyway Bus Master Module	257
9.3.4	OL Memory Block Transfer	257
9.4	On-Chip Memory Protective Functions	260
9.5	Usage Notes	261
9.5.1	Page Conflict	261
9.5.2	Access Across Different Pages	261
9.5.3	On-Chip Memory Coherency	261
9.5.4	Sleep Mode	262
9.6	Note on Using 32-Bit Address Extended Mode.....	262
 Section 10 Interrupt Controller (INTC)		263
10.1	Features.....	263
10.1.1	Interrupt Method.....	266
10.1.2	Interrupt Sources.....	267
10.2	Input/Output Pins	272
10.3	Register Descriptions	273
10.3.1	External Interrupt Request Registers	277
10.3.2	User Mode Interrupt Disable Function	298
10.3.3	On-chip Module Interrupt Priority Registers	300
10.3.4	Individual On-Chip Module Interrupt Source Registers (INT2B0 to INT2B7)..	314
10.3.5	GPIO Interrupt Set Register (INT2GPIC)	322

10.4	Interrupt Sources.....	324
10.4.1	NMI Interrupts.....	324
10.4.2	IRQ Interrupts.....	324
10.4.3	IRL Interrupts.....	325
10.4.4	On-Chip Peripheral Module Interrupts.....	327
10.4.5	Priority of On-Chip Peripheral Module Interrupts.....	328
10.4.6	Interrupt Exception Handling and Priority.....	329
10.5	Operation.....	337
10.5.1	Interrupt Sequence.....	337
10.5.2	Multiple Interrupts.....	339
10.5.3	Interrupt Masking by MAI Bit.....	339
10.6	Interrupt Response Time.....	340
10.7	Usage Notes.....	343
10.7.1	Example of Handing Routine of IRL Interrupts and Level Detection IRQ Interrupts when ICR0.LVLMODE = 0.....	343
10.7.2	Notes on Setting IRQ/IRL[7:0] Pin Function.....	344
10.7.3	Clearing IRQ and IRL Interrupt Requests.....	345
Section 11 Local Bus State Controller (LBSC).....		347
11.1	Features.....	347
11.2	Input/Output Pins.....	350
11.3	Overview of Areas.....	354
11.3.1	Space Divisions.....	354
11.3.2	Memory Bus Width.....	357
11.3.3	PCMCIA Support.....	358
11.4	Register Descriptions.....	362
11.4.1	Memory Address Map Select Register (MMSELR).....	364
11.4.2	Bus Control Register (BCR).....	367
11.4.3	CSn Bus Control Register (CSnBCR).....	371
11.4.4	CSn Wait Control Register (CSnWCR).....	377
11.4.5	CSn PCMCIA Control Register (CSnPCR).....	382
11.5	Operation.....	387
11.5.1	Endian/Access Size and Data Alignment.....	387
11.5.2	Areas.....	398
11.5.3	SRAM interface.....	403
11.5.4	Burst ROM Interface.....	412
11.5.5	PCMCIA Interface.....	416
11.5.6	MPX Interface.....	427
11.5.7	Byte Control SRAM Interface.....	441
11.5.8	Wait Cycles between Access Cycles.....	446

11.5.9	Bus Arbitration	448
11.5.10	Master Mode	450
11.5.11	Slave Mode	451
11.5.12	Cooperation between Master and Slave.....	451
11.5.13	Power-Down Mode and Bus Arbitration	451
11.5.14	Mode Pin Settings and General Input Output Port Settings about Data Bus Width.....	452
11.5.15	Pins Multiplexed with Other Modules Functions	452
11.5.16	Register Settings for Divided-Up \overline{DACKn} Output	452
Section 12 DDR2-SDRAM Interface (DBSC2).....		457
12.1	Features.....	457
12.2	Input/Output Pins	460
12.3	Data Alignment.....	465
12.4	Register Descriptions	479
12.4.1	DBSC2 Status Register (DBSTATE)	482
12.4.2	SDRAM Operation Enable Register (DBEN).....	483
12.4.3	SDRAM Command Control Register (DBCMDCNT)	484
12.4.4	SDRAM Configuration Setting Register (DBCONF).....	486
12.4.5	SDRAM Timing Register 0 (DBTR0).....	488
12.4.6	SDRAM Timing Register 1 (DBTR1).....	492
12.4.7	SDRAM Timing Register 2 (DBTR2).....	495
12.4.8	SDRAM Refresh Control Register 0 (DBRFCNT0)	499
12.4.9	SDRAM Refresh Control Register 1 (DBRFCNT1)	500
12.4.10	SDRAM Refresh Control Register 2 (DBRFCNT2)	502
12.4.11	SDRAM Refresh Status Register (DBRFSTS)	504
12.4.12	DDRPAD Frequency Setting Register (DBFREQ)	505
12.4.13	DDRPAD DIC, ODT, OCD Setting Register (DBDICODTOCD).....	507
12.4.14	SDRAM Mode Setting Register (DBMRCNT).....	510
12.5	DBSC2 Operation	512
12.5.1	Supported SDRAM Commands.....	512
12.5.2	SDRAM Command Issue	513
12.5.3	Initialization Sequence.....	516
12.5.4	Self-Refresh Operation	517
12.5.5	Auto-Refresh Operation.....	520
12.5.6	Regarding Address Multiplexing	521
12.5.7	Regarding SDRAM Access and Timing Constraints	530
12.5.8	Important Information Regarding Use of 8-Bank DDR2-SDRAM Products	544
12.5.9	Important Information Regarding ODT Control Signal Output to SDRAM	544
12.5.10	DDR2-SDRAM Power Supply Backup Function.....	546

12.5.11	Method for Securing Time Required for Initialization, Self-Refresh Cancellation, etc.	549
12.5.12	Regarding the Supported Clock Ratio	549
12.5.13	Regarding MCKE Signal Operation	550
Section 13 PCI Controller (PCIC).....		551
13.1	Features.....	551
13.2	Input/Output Pins.....	554
13.3	Register Descriptions.....	557
13.3.1	PCIC Enable Control Register (PCIECR)	562
13.3.2	Configuration Registers	563
13.3.3	PCI Local Registers	590
13.4	Operation	630
13.4.1	Supported PCI Commands	630
13.4.2	PCIC Initialization.....	631
13.4.3	Master Access.....	632
13.4.4	Target Access	640
13.4.5	Host Mode	648
13.4.6	Normal Mode.....	651
13.4.7	Power Management.....	651
13.4.8	PCI Local Bus Basic Interface.....	653
Section 14 Direct Memory Access Controller (DMAC).....		665
14.1	Features.....	665
14.2	Input/Output Pins.....	667
14.3	Register Descriptions.....	668
14.3.1	DMA Source Address Registers 0 to 11 (SAR0 to SAR11).....	675
14.3.2	DMA Source Address Registers B0 to B3, B6 to B9 (SARB0 to SARB3, SARB6 to SARB9).....	676
14.3.3	DMA Destination Address Registers 0 to 11 (DAR0 to DAR11)	677
14.3.4	DMA Destination Address Registers B0 to B3, B6 to B9 (DARB0 to DARB3, DARB6 to DARB9)	678
14.3.5	DMA Transfer Count Registers 0 to 11 (TCR0 to TCR11).....	679
14.3.6	DMA Transfer Count Registers B0 to B3, B6 to B9 (TCRB0 to TCRB3, TCRB6 to TCRB9).....	680
14.3.7	DMA Channel Control Registers 0 to 11 (CHCR0 to CHCR11)	681
14.3.8	DMA Operation Register 0, 1 (DMAOR0 and DMAOR1).....	689
14.3.9	DMA Extended Resource Selectors 0 to 5 (DMARS0 to DMARS5).....	693
14.4	Operation	701
14.4.1	DMA Transfer Requests.....	701

14.4.2	Channel Priority	706
14.4.3	DMA Transfer Types	709
14.4.4	DMA Transfer Flow	717
14.4.5	Repeat Mode Transfer	719
14.4.6	Reload Mode Transfer	720
14.4.7	DREQ Pin Sampling Timing	721
14.5	DMAC Interrupt Sources	729
14.6	Usage Notes	730
14.6.1	Stopping Modules and Changing Frequency	730
14.6.2	Address Error	730
14.6.3	NMI Interrupt	730
14.6.4	Burst Mode Transfer	730
14.6.5	Divided-Up DACK Output	730
14.6.6	DACK/DREQ Setting	731
Section 15 Clock Pulse Generator (CPG)		733
15.1	Features	733
15.2	Input/Output Pins	736
15.3	Clock Operating Modes	737
15.4	Register Descriptions	739
15.4.1	Frequency Control Register 0 (FRQCR0)	741
15.4.2	Frequency Control Register 1 (FRQCR1)	742
15.4.3	Frequency Display Register 1 (FRQMR1)	745
15.4.4	PLL Control Register (PLLCR)	747
15.5	Calculating the Frequency	748
15.6	How to Change the Frequency	749
15.6.1	Changing the Frequency of Clocks Other than the Bus Clock	749
15.6.2	Changing the Bus Clock Frequency	749
15.7	Notes on Designing Board	756
Section 16 Watchdog Timer and Reset (WDT)		759
16.1	Features	759
16.2	Input/Output Pins	761
16.3	Register Descriptions	762
16.3.1	Watchdog Timer Stop Time Register (WDTST)	763
16.3.2	Watchdog Timer Control/Status Register (WDTCR)	764
16.3.3	Watchdog Timer Base Stop Time Register (WDTBST)	766
16.3.4	Watchdog Timer Counter (WDTCNT)	767
16.3.5	Watchdog Timer Base Counter (WDTBCNT)	768
16.4	Operation	769

16.4.1	Reset Request	769
16.4.2	Using Watchdog Timer Mode	771
16.4.3	Using Interval Timer Mode	771
16.4.4	Time until WDT Counters Overflow	772
16.4.5	Clearing WDT Counters	773
16.5	Status Pin Change Timing during Reset	774
16.5.1	Power-On Reset by <u>PRESET</u> Pin	774
16.5.2	Power-On Reset by Watchdog Timer Overflow	777
16.5.3	Manual Reset by Watchdog Timer Overflow	779
Section 17 Power-Down Mode		781
17.1	Features.....	781
17.1.1	Types of Power-Down Modes	781
17.2	Input/Output Pins.....	783
17.3	Register Descriptions.....	783
17.3.1	Sleep Control Register (SLPCR)	785
17.3.2	Standby Control Register 0 (MSTPCR0)	786
17.3.3	Standby Control Register 1 (MSTPCR1)	789
17.3.4	Standby Display Register (MSTPMR)	791
17.4	Sleep Mode	793
17.4.1	Transition to Sleep Mode.....	793
17.4.2	Releasing Sleep Mode	793
17.5	Deep Sleep Mode.....	794
17.5.1	Transition to Deep Sleep Mode	794
17.5.2	Releasing Deep Sleep Mode	795
17.6	Module Standby Functions	796
17.6.1	Transition to Module Standby Mode	796
17.6.2	Releasing Module Standby Functions	796
17.7	Timing of the Changes on the STATUS Pins	797
17.7.1	Reset	797
17.7.2	Releasing Sleep Mode	797
17.8	DDR-SDRAM Power Supply Backup.....	797
Section 18 Timer Unit (TMU).....		799
18.1	Features.....	799
18.2	Input/Output Pins.....	801
18.3	Register Descriptions.....	802
18.3.1	Timer Start Registers (TSTRn) (n = 0, 1).....	804
18.3.2	Timer Constant Registers (TCORn) (n = 0 to 5)	806
18.3.3	Timer Counters (TCNTn) (n = 0 to 5).....	806

18.3.4	Timer Control Registers (TCRn) (n = 0 to 5)	807
18.3.5	Input Capture Register 2 (TCPR2)	809
18.4	Operation	810
18.4.1	Counter Operation	810
18.4.2	Input Capture Function	813
18.5	Interrupts	814
18.6	Usage Notes	815
18.6.1	Register Writes	815
18.6.2	Reading from TCNT	815
18.6.3	External Clock Frequency	815
 Section 19 Display Unit (DU)		 817
19.1	Features	817
19.2	Input/Output Pins	820
19.3	Register Descriptions	821
19.3.1	Display Unit System Control Register	841
19.3.2	Display Mode Register (DSMR)	845
19.3.3	Display Status Register (DSSR)	849
19.3.4	Display Unit Status Register Clear Register (DSRCR)	853
19.3.5	Display Unit Interrupt Enable Register (DIER)	854
19.3.6	Color Palette Control Register (CPCR)	857
19.3.7	Display Plane Priority Register (DPPR)	859
19.3.8	Display Unit Extensional Function Enable Register (DEFR)	862
19.3.9	Horizontal Display Start Register (HDSR)	864
19.3.10	Horizontal Display End Register (HDER)	865
19.3.11	Vertical Display Start Register (VDSR)	866
19.3.12	Vertical Display End Register (VDER)	867
19.3.13	Horizontal Cycle Register (HCR)	868
19.3.14	Horizontal Sync Width Register (HSWR)	869
19.3.15	Vertical Cycle Register (VCR)	870
19.3.16	Vertical Sync Point Register (VSPR)	871
19.3.17	Equal Pulse Width Register (EQWR)	872
19.3.18	Separation Width Register (SPWR)	873
19.3.19	CLAMP Signal Start Register (CLAMPSSR)	874
19.3.20	CLAMP Signal Width Register (CLAMPWR)	875
19.3.21	DE Signal Start Register (DESR)	876
19.3.22	DE Signal Width Register (DEWR)	877
19.3.23	Color Palette 1 Transparent Color Register (CP1TR)	878
19.3.24	Color Palette 2 Transparent Color Register (CP2TR)	881
19.3.25	Color Palette 3 Transparent Color Register (CP3TR)	884

19.3.26	Color Palette 4 Transparent Color Register (CP4TR)	887
19.3.27	Display Off Mode Output Register (DOOR).....	890
19.3.28	Color Detection Register (CDER)	891
19.3.29	Background Plane Output Register (BPOR).....	892
19.3.30	Raster Interrupt Offset Register (RINTOFSR)	894
19.3.31	Plane n Mode Register (PnMR) (n = 1 to 6).....	895
19.3.32	Plane n Memory Width Register (PnMWR) (n = 1 to 6).....	898
19.3.33	Plane n Blending Ratio Register (PnALPHAR) (n = 1 to 6)	899
19.3.34	Plane n Display Size X Register (PnDSXR) (n = 1 to 6).....	901
19.3.35	Plane n Display Size Y Register (PnDSYR) (n = 1 to 6).....	902
19.3.36	Plane n Display Position X Register (PnDPXR) (n = 1 to 6).....	903
19.3.37	Plane n Display Position Y Register (PnDPYR) (n = 1 to 6).....	904
19.3.38	Plane n Display Area Start Address 0 Register (PnDSA0R) (n = 1 to 6)	905
19.3.39	Plane n Display Area Start Address 1 Register (PnDSA1R) (n = 1 to 6)	906
19.3.40	Plane n Start Position X Register (PnSPXR) (n = 1 to 6)	907
19.3.41	Plane n Start Position Y Register (PnSPYR) (n = 1 to 6)	908
19.3.42	Plane n Wrap Around Start Position Register (PnWASPR) (n = 1 to 6)	909
19.3.43	Plane n Wrap Around Memory Width Register (PnWAMWR) (n = 1 to 6)	910
19.3.44	Plane n Blinking Time Register (PnBTR) (n = 1 to 6)	911
19.3.45	Plane n Transparent Color 1 Register (PnTC1R) (n = 1 to 6).....	912
19.3.46	Plane n Transparent Color 2 Register (PnTC2R) (n = 1 to 6).....	913
19.3.47	Plane n Memory Length Register (PnMLR) (n = 1 to 6).....	914
19.3.48	Color Palette 1 Register 000 to 255 (CP1_000R to CP1_255R)	915
19.3.49	Color Palette 2 Register 000 to 255 (CP2_000R to CP2_255R)	916
19.3.50	Color Palette 3 Register 000 to 255 (CP3_000R to CP3_255R)	918
19.3.51	Color Palette 4 Register 000 to 255 (CP4_000R to CP4_255R)	919
19.3.52	External Synchronization Control Register (ESCR).....	921
19.3.53	Output Signal Timing Adjustment Register (OTAR).....	923
19.4	Operation	930
19.4.1	Configuration of Output Screen.....	930
19.4.2	Display On/Off	933
19.4.3	Plane Parameter	934
19.4.4	Memory Allocation.....	936
19.4.5	Input Display Data Format	937
19.4.6	Output Data Format	940
19.4.7	Endian Conversion.....	940
19.4.8	Color Palettes.....	942
19.4.9	Superpositioning of Planes	943
19.4.10	Display Contention	947
19.4.11	Blinking	949

19.4.12	Scroll Display	950
19.4.13	Wraparound Display	951
19.4.14	Upper-Left Overflow Display	952
19.4.15	Double Buffer Control	953
19.4.16	Sync Mode	954
19.5	Display Control	956
19.5.1	Display Timing Generation	956
19.5.2	CSYNC	959
19.5.3	Scan Method	961
19.5.4	Color Detection	965
19.5.5	Output Signal Timing Adjustment	966
19.5.6	CLAMP Signal and DE Signal	967
19.6	Power-Down Sequence	968
19.6.1	Procedures before Executing the Power-Down Sequence	968
19.6.2	Resetting the Power-Down Sequence	968
 Section 20 Graphics Data Translation Accelerator (GDTA)		969
20.1	Features	969
20.2	GDTA Address Space	973
20.3	Register Descriptions	974
20.3.1	GA Mask Register (GACMR)	979
20.3.2	GA Enable Register (GACER)	980
20.3.3	GA Interrupt Source Indicating Register (GACISR)	981
20.3.4	GA Interrupt Source Indication Clear Register (GACICR)	982
20.3.5	GA Interrupt Enable Register (GACIER)	983
20.3.6	GA CL Input Data Alignment Register (DRCL_CTL)	984
20.3.7	GA CL Output Data Alignment Register (DWCL_CTL)	985
20.3.8	GA MC Input Data Alignment Register (DRMC_CTL)	986
20.3.9	GA MC Output Data Alignment Register (DWMC_CTL)	987
20.3.10	GA Buffer RAM 0 Data Alignment Register (DCP_CTL)	988
20.3.11	GA Buffer RAM 1 Data Alignment Register (DID_CTL)	989
20.3.12	CL Command FIFO (CLCF)	990
20.3.13	CL Control Register (CLCR)	991
20.3.14	CL Status Register (CLSR)	993
20.3.15	CL Frame Width Setting Register (CLWR)	994
20.3.16	CL Frame Height Setting Register (CLHR)	995
20.3.17	CL Input Y Padding Size Setting Register (CLYPR)	996
20.3.18	CL Input UV Padding Size Setting Register (CLIUVP)	997
20.3.19	CL Output Padding Size Setting Register (CLOPR)	998
20.3.20	CL Palette Pointer Register (CLPLPR)	999

20.3.21	MC Command FIFO (MCCF)	1000
20.3.22	MC Status Register (MCSR)	1003
20.3.23	MC Frame Width Setting Register (MCWR)	1004
20.3.24	MC Frame Height Setting Register (MCHR)	1005
20.3.25	MC Y Padding Size Setting Register (MCYPR)	1006
20.3.26	MC UV Padding Size Setting Register (MCUVPR)	1007
20.3.27	MC Output Frame Y Pointer Register (MCOYPR).....	1008
20.3.28	MC Output Frame U Pointer Register (MCOUPR).....	1008
20.3.29	MC Output Frame V Pointer Register (MCOVPR).....	1009
20.3.30	MC Past Frame Y Pointer Register (MCPYPR).....	1009
20.3.31	MC Past Frame U Pointer Register (MCPUPR).....	1010
20.3.32	MC Past Frame V Pointer Register (MCPVPR).....	1010
20.3.33	MC Future Frame Y Pointer Register (MCFYPR).....	1011
20.3.34	MC Future Frame U Pointer Register (MCFUPR).....	1011
20.3.35	MC Future Frame V Pointer Register (MCFVPR).....	1012
20.4	GDTA Operation	1013
20.4.1	Explanation of CL Operation.....	1013
20.4.2	Explanation of MC Operation.....	1019
20.5	Interrupt Processing	1029
20.6	Data Alignment.....	1029
20.7	Usage Notes.....	1031
20.7.1	Regarding Module Stoppage	1031
20.7.2	Regarding Deep Sleep Modes.....	1031
20.7.3	Regarding Frequency Changes	1032
 Section 21 Serial Communication Interface with FIFO (SCIF)		1033
21.1	Features.....	1033
21.2	Input/Output Pins.....	1039
21.3	Register Descriptions.....	1040
21.3.1	Receive Shift Register (SCRSR)	1046
21.3.2	Receive FIFO Data Register (SCFRDR)	1046
21.3.3	Transmit Shift Register (SCTSR)	1047
21.3.4	Transmit FIFO Data Register (SCFTDR).....	1047
21.3.5	Serial Mode Register (SCSMR)	1048
21.3.6	Serial Control Register (SCSCR)	1051
21.3.7	Serial Status Register n (SCFSR)	1055
21.3.8	Bit Rate Register n (SCBRR)	1061
21.3.9	FIFO Control Register n (SCFCR)	1062
21.3.10	Transmit FIFO Data Count Register n (SCTFDR).....	1064
21.3.11	Receive FIFO Data Count Register n (SCRFDR)	1065

21.3.12	Serial Port Register n (SCSPTR)	1066
21.3.13	Line Status Register n (SCLSR)	1069
21.3.14	Serial Error Register n (SCRER)	1070
21.4	Operation	1071
21.4.1	Overview	1071
21.4.2	Operation in Asynchronous Mode	1074
21.4.3	Operation in Clocked Synchronous Mode	1085
21.5	SCIF Interrupt Sources and the DMAC	1094
21.6	Usage Notes	1096
 Section 22 Serial I/O with FIFO (SIOF).....		1099
22.1	Features.....	1099
22.2	Input/Output Pins	1101
22.3	Register Descriptions	1102
22.3.1	Mode Register (SIMDR)	1104
22.3.2	Control Register (SICTR).....	1106
22.3.3	Transmit Data Register (SITDR)	1108
22.3.4	Receive Data Register (SIRDR)	1109
22.3.5	Transmit Control Data Register (SITCR)	1110
22.3.6	Receive Control Data Register (SIRCR)	1111
22.3.7	Status Register (SISTR).....	1112
22.3.8	Interrupt Enable Register (SIIER)	1118
22.3.9	FIFO Control Register (SIFCTR)	1120
22.3.10	Clock Select Register (SISCR)	1122
22.3.11	Transmit Data Assign Register (SITDAR)	1123
22.3.12	Receive Data Assign Register (SIRDAR)	1125
22.3.13	Control Data Assign Register (SICDAR)	1126
22.4	Operation	1128
22.4.1	Serial Clocks	1128
22.4.2	Serial Timing	1129
22.4.3	Transfer Data Format.....	1131
22.4.4	Register Allocation of Transfer Data	1133
22.4.5	Control Data Interface	1135
22.4.6	FIFO.....	1137
22.4.7	Transmit and Receive Procedures.....	1139
22.4.8	Interrupts.....	1144
22.4.9	Transmit and Receive Timing.....	1146
 Section 23 Serial Peripheral Interface (HSPI).....		1151
23.1	Features.....	1151

23.2	Input/Output Pins	1153
23.3	Register Descriptions	1153
23.3.1	Control Register (SPCR)	1155
23.3.2	Status Register (SPSR)	1158
23.3.3	System Control Register (SPSCR)	1161
23.3.4	Transmit Buffer Register (SPTBR)	1163
23.3.5	Receive Buffer Register (SPRBR).....	1164
23.4	Operation	1165
23.4.1	Operation Overview with FIFO Mode Disabled.....	1165
23.4.2	Operation with FIFO Mode Enabled	1166
23.4.3	Timing Diagrams	1167
23.4.4	HSPI Software Reset	1169
23.4.5	Clock Polarity and Transmit Control.....	1169
23.4.6	Transmit and Receive Routines	1169
23.4.7	Flags and Interrupt Timing	1170
23.4.8	Low-Power Consumption and Clock Synchronization.....	1170
Section 24 Multimedia Card Interface (MMCIF)		1171
24.1	Features.....	1171
24.2	Input/Output Pins.....	1172
24.3	Register Descriptions.....	1173
24.3.1	Command Registers 0 to 5 (CMDR0 to CMDR5).....	1177
24.3.2	Command Start Register (CMDSTRT)	1178
24.3.3	Operation Control Register (OPCR).....	1179
24.3.4	Card Status Register (CSTR).....	1181
24.3.5	Interrupt Control Registers 0 to 2 (INTCR0 to INTCR2).....	1183
24.3.6	Interrupt Status Registers 0 to 2 (INTSTR0 to INTSTR2)	1187
24.3.7	Transfer Clock Control Register (CLKON)	1193
24.3.8	Command Timeout Control Register (CTOCR).....	1194
24.3.9	Transfer Byte Number Count Register (TBCR)	1195
24.3.10	Mode Register (MODER).....	1196
24.3.11	Command Type Register (CMDTYR).....	1197
24.3.12	Response Type Register (RSPTYR).....	1198
24.3.13	Transfer Block Number Counter (TBNCR)	1202
24.3.14	Response Registers 0 to 16, D (RSPR0 to RSPR16, RSPRD).....	1203
24.3.15	Data Timeout Register (DTOUTR)	1205
24.3.16	Data Register (DR)	1206
24.3.17	FIFO Pointer Clear Register (FIFOCLR)	1207
24.3.18	DMA Control Register (DMACR)	1208
24.4	Operation	1209

24.4.1	Operations in MMC Mode.....	1209
24.5	MMCIF Interrupt Sources.....	1239
24.6	Operations when Using DMA.....	1240
24.6.1	Operation in Read Sequence.....	1240
24.6.2	Operation in Write Sequence.....	1250
24.7	Register Accesses with Little Endian Specification.....	1261
 Section 25 Audio Codec Interface (HAC)		1263
25.1	Features.....	1263
25.2	Input/Output Pins.....	1265
25.3	Register Descriptions.....	1266
25.3.1	Control and Status Register (HACCR).....	1269
25.3.2	Command/Status Address Register (HACCSAR).....	1271
25.3.3	Command/Status Data Register (HACCSDR).....	1273
25.3.4	PCM Left Channel Register (HACPCML).....	1275
25.3.5	PCM Right Channel Register (HACPCMR).....	1277
25.3.6	TX Interrupt Enable Register (HACTIER).....	1278
25.3.7	TX Status Register (HACTSR).....	1279
25.3.8	RX Interrupt Enable Register (HACRIER).....	1281
25.3.9	RX Status Register (HACRSR).....	1282
25.3.10	HAC Control Register (HACACR).....	1284
25.4	AC 97 Frame Slot Structure.....	1286
25.5	Operation.....	1288
25.5.1	Receiver.....	1288
25.5.2	Transmitter.....	1288
25.5.3	DMA.....	1289
25.5.4	Interrupts.....	1289
25.5.5	Initialization Sequence.....	1290
25.5.6	Power-Down Mode.....	1295
25.5.7	Notes.....	1295
25.5.8	Reference.....	1295
 Section 26 Serial Sound Interface (SSI) Module		1297
26.1	Features.....	1297
26.2	Input/Output Pins.....	1299
26.3	Register Descriptions.....	1300
26.3.1	Control Register (SSICR).....	1301
26.3.2	Status Register (SSISR).....	1308
26.3.3	Transmit Data Register (SSITDR).....	1313
26.3.4	Receive Data Register (SSIRDR).....	1313

26.4	Operation	1314
26.4.1	Bus Format	1314
26.4.2	Non-Compressed Modes	1315
26.4.3	Compressed Modes.....	1324
26.4.4	Operation Modes	1327
26.4.5	Transmit Operation.....	1328
26.4.6	Receive Operation	1331
26.4.7	Serial Clock Control	1334
26.5	Usage Note.....	1335
26.5.1	Restrictions when an Overflow Occurs during Receive DMA Operation.....	1335
26.5.2	Pin Function Setting for the SSI Module.....	1335
26.5.3	Usage Note in Slave Mode	1335
Section 27 NAND Flash Memory Controller (FLCTL).....		1337
27.1	Features.....	1337
27.2	Input/Output Pins.....	1340
27.3	Register Descriptions.....	1342
27.3.1	Common Control Register (FLCMNCR)	1344
27.3.2	Command Control Register (FLCMDCR).....	1346
27.3.3	Command Code Register (FLCMCDR)	1348
27.3.4	Address Register (FLADR)	1349
27.3.5	Address Register 2 (FLADR2)	1351
27.3.6	Data Counter Register (FLDTCNTR)	1352
27.3.7	Data Register (FLDATAR)	1353
27.3.8	Interrupt DMA Control Register (FLINTDMACR)	1354
27.3.9	Ready Busy Timeout Setting Register (FLBSYTMR)	1359
27.3.10	Ready Busy Timeout Counter (FLBSYCNT).....	1360
27.3.11	Data FIFO Register (FLDTFIFO).....	1361
27.3.12	Control Code FIFO Register (FLECFIFO).....	1362
27.3.13	Transfer Control Register (FLTRCR).....	1363
27.4	Operation	1364
27.4.1	Operating Modes	1364
27.4.2	Command Access Mode.....	1364
27.4.3	Sector Access Mode	1368
27.4.4	Status Read	1371
27.5	Example of Register Setting	1373
27.6	Interrupt Processing	1376
27.7	DMA Transfer Settings.....	1376

Section 28	General Purpose I/O Ports (GPIO)	1377
28.1	Features	1377
28.2	Register Descriptions	1382
28.2.1	Port A Control Register (PACR)	1386
28.2.2	Port B Control Register (PBCR)	1389
28.2.3	Port C Control Register (PCCR)	1391
28.2.4	Port D Control Register (PDCR)	1393
28.2.5	Port E Control Register (PECR)	1395
28.2.6	Port F Control Register (PFCR)	1397
28.2.7	Port G Control Register (PGCR)	1399
28.2.8	Port H Control Register (PHCR)	1401
28.2.9	Port J Control Register (PJCR)	1403
28.2.10	Port K Control Register (PKCR)	1405
28.2.11	Port L Control Register (PLCR)	1407
28.2.12	Port M Control Register (PMCR)	1409
28.2.13	Port N Control Register (PNCR)	1410
28.2.14	Port P Control Register (PPCR)	1412
28.2.15	Port Q Control Register (PQCR)	1414
28.2.16	Port R Control Register (PRCR)	1416
28.2.17	Port A Data Register (PADR)	1418
28.2.18	Port B Data Register (PBDR)	1419
28.2.19	Port C Data Register (PCDR)	1420
28.2.20	Port D Data Register (PDDR)	1421
28.2.21	Port E Data Register (PEDR)	1422
28.2.22	Port F Data Register (PFDR)	1423
28.2.23	Port G Data Register (PGDR)	1424
28.2.24	Port H Data Register (PHDR)	1425
28.2.25	Port J Data Register (PJDR)	1426
28.2.26	Port K Data Register (PKDR)	1427
28.2.27	Port L Data Register (PLDR)	1428
28.2.28	Port M Data Register (PMDR)	1429
28.2.29	Port N Data Register (PNDR)	1430
28.2.30	Port P Data Register (PPDR)	1431
28.2.31	Port Q Data Register (PQDR)	1432
28.2.32	Port R Data Register (PRDR)	1433
28.2.33	Port E Pull-Up Control Register (PEPUPR)	1434
28.2.34	Port H Pull-Up Control Register (PHPUPR)	1435
28.2.35	Port J Pull-Up Control Register (PJPUPR)	1436
28.2.36	Port K Pull-Up Control Register (PKPUPR)	1437

28.2.37	Port L Pull-Up Control Register (PLPUPR).....	1438
28.2.38	Port M Pull-Up Control Register (PMPUPR).....	1439
28.2.39	Port N Pull-Up Control Register (PNPUPR).....	1440
28.2.40	Input-Pin Pull-Up Control Register 1 (PPUPR1).....	1441
28.2.41	Input-Pin Pull-Up Control Register 2 (PPUPR2).....	1441
28.2.42	Peripheral Module Select Register 1 (P1MSELR).....	1443
28.2.43	Peripheral Module Select Register 2 (P2MSELR).....	1447
28.3	Usage Example.....	1449
28.3.1	Port Output Function.....	1449
28.3.2	Port Input function.....	1450
28.3.3	Peripheral Module Function.....	1451
Section 29	User Break Controller (UBC).....	1453
29.1	Features.....	1453
29.2	Register Descriptions.....	1455
29.2.1	Match Condition Setting Registers 0 and 1 (CBR0 and CBR1).....	1457
29.2.2	Match Operation Setting Registers 0 and 1 (CRR0 and CRR1).....	1463
29.2.3	Match Address Setting Registers 0 and 1 (CAR0 and CAR1).....	1465
29.2.4	Match Address Mask Setting Registers 0 and 1 (CAMR0 and CAMR1).....	1466
29.2.5	Match Data Setting Register 1 (CDR1).....	1468
29.2.6	Match Data Mask Setting Register 1 (CDMR1).....	1469
29.2.7	Execution Count Break Register 1 (CETR1).....	1470
29.2.8	Channel Match Flag Register (CCMFR).....	1471
29.2.9	Break Control Register (CBCR).....	1472
29.3	Operation Description.....	1473
29.3.1	Definition of Words Related to Accesses.....	1473
29.3.2	User Break Operation Sequence.....	1474
29.3.3	Instruction Fetch Cycle Break.....	1475
29.3.4	Operand Access Cycle Break.....	1476
29.3.5	Sequential Break.....	1477
29.3.6	Program Counter Value to be Saved.....	1479
29.4	User Break Debugging Support Function.....	1480
29.5	User Break Examples.....	1481
29.6	Usage Notes.....	1485
Section 30	User Debugging Interface (H-UDI).....	1487
30.1	Features.....	1487
30.2	Input/Output Pins.....	1489
30.3	Register Description.....	1491
30.3.1	Instruction Register (SDIR).....	1492

30.3.2	Interrupt Source Register (SDINT).....	1492
30.3.3	Bypass Register (SDBPR)	1493
30.3.4	Boundary Scan Register (SDBSR)	1493
30.4	Operation	1503
30.4.1	Boundary-Scan TAP Controller (IDCODE, EXTEST, SAMPLE/PRELOAD, and BYPASS).....	1503
30.4.2	TAP Control.....	1505
30.4.3	H-UDI Reset	1506
30.4.4	H-UDI Interrupt	1507
30.5	Usage Notes	1507
 Section 31 Register List.....		1509
31.1	Register Address List.....	1509
31.2	States of the Registers in the Individual Operating Modes	1533
 Section 32 Electrical Characteristics		1561
32.1	Absolute Maximum Ratings	1561
32.2	DC Characteristics	1562
32.3	AC Characteristics	1567
32.3.1	Clock and Control Signal Timing	1568
32.3.2	Control Signal Timing	1572
32.3.3	Bus Timing	1574
32.3.4	DBSC2 Signal Timing.....	1592
32.3.5	INTC Module Signal Timing.....	1597
32.3.6	PCIC Module Signal Timing	1599
32.3.7	DMAC Module Signal Timing	1601
32.3.8	TMU Module Signal Timing	1602
32.3.9	SCIF Module Signal Timing.....	1603
32.3.10	H-UDI Module Signal Timing.....	1605
32.3.11	GPIO Signal Timing	1607
32.3.12	HSPI Module Signal Timing	1608
32.3.13	SIOF Module Signal Timing	1609
32.3.14	MMCIF Module Signal Timing.....	1613
32.3.15	HAC Interface Module Signal Timing.....	1614
32.3.16	SSI Interface Module Signal Timing	1616
32.3.17	FLCTL Module Signal Timing.....	1618
32.3.18	Display Unit Signal Timing.....	1622
32.4	AC Characteristic Test Conditions.....	1625

Appendix	1627
A. Package Dimensions	1627
B. Mode Pin Settings	1628
C. Pin Functions	1631
C.1 Pin States	1631
C.2 Handling of Unused Pins	1642
D. Turning On and Off Power Supply	1653
D.1 Turning On and Off Between Each Power Supply Series	1653
D.2 Power-On and Power-Off Sequences for Power Supplies with Different Potentials in DDR2-SDRAM Power Supply Backup Mode.....	1654
D.3 Turning On and Off Between the Same Power Supply Series.....	1655
E. Version Registers (PVR, PRR)	1656
F. Product Lineup.....	1657

Section 1 Overview

The SH7785 incorporates a DDR2-SDRAM interface, a PCI controller, a DMA controller, timers, serial interfaces, audio interfaces, a graphics data translation accelerator (GDTA) that supports YUV data conversion and motion compensation processing, and a display unit (DU) that supports digital RGB display. The DDR2 interface, PCI interface, and the local bus are independent, providing dedicated external bus interfaces for the transfer of large amounts of data and of streaming data.

The SH7785 contains an SH-4A (PVR.VER = H'30: Extended version), which is a 32-bit RISC (reduced instruction set computer) multiprocessor including an FPU as well as a CPU, providing upward compatibility (instruction set level) with the SH-1, SH-2, SH-3, and SH-4 microcomputers. The CPU and FPU run at 600 MHz. The processor also includes an instruction cache, an operand cache for which copy-back or write-through mode is selectable, a four-entry fully associative instruction TLB (translation look-aside buffer), and an MMU (memory management unit) with a 64-entry fully associative unified TLB.

1.1 Features of the SH7785

The features of the SH7785 are listed in table 1.1

Table 1.1 SH7785 Features

Item	Features
LSI	<ul style="list-style-type: none"> • CPU Operating frequency: 600 MHz • Voltage: 1.1 V (internal), 1.8 V (DDR2-SDRAM), 3.3 V (I/O) • Package: 436-pin BGA (size: 19 × 19 mm, pin pitch: 0.8 mm) • External bus (local bus) <ul style="list-style-type: none"> — Separate 26-bit address and 64-bit data buses (the PCI bus is not available when the 64-bit data bus is in use) — External bus frequency: up to 100 MHz • External bus (DDR2-SDRAM bus interface) <ul style="list-style-type: none"> — Separate 15-bit address and 32-bit data buses — External bus frequency: up to 300 MHz (600 Mbps) • External bus (PCI bus): <ul style="list-style-type: none"> — 32-bit address/data multiplexed bus — External bus frequency: 33 MHz or 66 MHz

Item	Features
CPU	<ul style="list-style-type: none">• Renesas Technology original architecture• 32-bit internal data bus• General-register files:<ul style="list-style-type: none">— Sixteen 32-bit general registers (eight 32-bit shadow registers)— Seven 32-bit control registers— Four 32-bit system registers• RISC-type instruction set (upward compatibility for the SH-1, SH-2, SH-3 and SH-4 processors)<ul style="list-style-type: none">— Instruction length: 16-bit fixed length for improved code efficiency— Load/store architecture— Delayed branch instructions— Conditional instruction execution— Instruction-set design based on the C language• Super-scalar architecture covering both the FPU and CPU provides for the simultaneous execution of any two instructions• Instruction-execution time: Two instructions per cycle (max.)• Virtual address space: 4 Gbytes• Address-space identifiers (ASID): 8 bits, for 256 virtual address spaces• Internal multiplier• Eight-stage pipeline• PVR.VER = H'30: SH-4A extended version

Item	Features
FPU	<ul style="list-style-type: none"> • On-chip floating-point coprocessor • Supports single (32-bit) and double (64-bit) precisions • Supports IEEE754-compliant data types and exceptions • Two rounding modes: Round to Nearest and Round to Zero • Handling of denormalized numbers: Truncation to zero or interrupt-generation for IEEE754 compliance • Floating-point registers: 32 bits × 16 words × 2 banks (single-precision × 16 words or double-precision × 8 words) × 2 banks • 32-bit CPU-FPU floating-point communications register (FPUL) • Supports FMAC (multiply-and-accumulate) instruction • Supports FDIV (divide) and FSQRT (square root) instructions • Supports FLDI0/FLDI1 (load constants 0 and 1) instructions • Instruction-execution times <ul style="list-style-type: none"> — Latency (FADD/FSUB): 3 cycles (single-precision), 5 cycles (double-precision) — Latency (FMAC/ FMUL): 5 cycles (single-precision), 7 cycles (double-precision) — Pitch (FADD/FSUB): 1 cycle (single-precision/double-precision) — Pitch (FMAC/FMUL): 1 cycle (single-precision), 3 cycles (double-precision) <p data-bbox="311 900 922 922">Note: FMAC only supports single-precision operands.</p> <ul style="list-style-type: none"> • 3-D graphics instructions (single-precision only) <ul style="list-style-type: none"> — 4-dimensional vector-conversion and matrix operations (FTRV): 4 cycles (pitch), 8 cycles (latency) — 4-dimensional vector (FIPR) inner product: 1 cycle (pitch), 5 cycles (latency) • Ten-stage pipeline

Item	Features
Memory management unit (MMU)	<ul style="list-style-type: none">• 4-Gbyte address space, 256 address space identifiers (8-bit ASID)• Supports single virtual memory mode and multiple virtual memory mode• Multiple page sizes: 1, 4, 8, 64, or 256 Kbytes, or 1, 4, or 64 Mbytes• 4-entry fully associative TLB for instructions• 64-entry fully associative TLB for instructions and operands• Selection of software-driven or random-counter replacement algorithms• The TLB is address-mapped, making its contents directly accessible.• 29-bit physical address mode/32-bit extended mode
Cache memory	<ul style="list-style-type: none">• Instruction cache (IC)<ul style="list-style-type: none">— 32-Kbyte 4-way set associative— 256 entries/way, 32-byte block length• Operand cache (OC)<ul style="list-style-type: none">— 32-Kbyte 4-way set associative— 256 entries/way, 32-byte block length• Selectable write method (copy-back or write-through)• Store queue (32 bytes × 2 entries)• One-stage copy-back buffer and one-stage write-through buffer
LRAM	<ul style="list-style-type: none">• ILRAM<ul style="list-style-type: none">— 8-Kbyte high-speed memory— Three independent read/write ports— 8-/16-/32-/64-bit access from the CPU or FPU— 8-/16-/32-/64-bit access and 16-/32-byte access in response to external requests— Support for protection of memory from CPU or FPU access• OLRAM<ul style="list-style-type: none">— 16-Kbyte high-speed memory— Three independent read/write ports— 8-/16-/32-/64-bit access by the CPU or the FPU— 8-/16-/32-/64-bit access and 16-/32-byte access in response to external requests— Support for protection of memory from CPU or FPU access

Item	Features
URAM	<ul style="list-style-type: none">• 128-Kbyte large-capacity memory• Three independent read/write ports• 8-/16-/32-bit access by the CPU or the FPU• 8-/16-/32-bit access by the DMAC
Interrupt controller (INTC)	<ul style="list-style-type: none">• Nine independent external interrupts: NMI and IRQ7 to IRQ0<ul style="list-style-type: none">— NMI: Falling/rising edge selectable— IRQ: Falling/rising edge or high level/low level selectable• 15-level-encoded external interrupts: IRL3 to IRL0, or IRL7 to IRL4• On-chip module interrupts: A priority level can be set for each module. The following modules can issue on-chip module interrupts: TMU, DU, GDTA, SCIF, WDT, H-UDI, DMAC, HAC, PCIC, SIOF, HSPI, MMCIF, SSI, FLCTL, and GPIO.

Item	Features
Local bus state controller (LBSC)	<ul style="list-style-type: none">• A dedicated Local-bus interface<ul style="list-style-type: none">— Controls the external memory space divided into seven 64-Mbyte (max.) areas— The interface type, bus width, and wait-cycle insertion can be set for each area.• SRAM interface<ul style="list-style-type: none">— Wait-cycle insertion can be set by register values.— Wait-cycle insertion by the \overline{RDY} pin— Connectable as area 0, 1, 2, 3, 4, 5, or 6— Selectable bus width: 64-/32-/16-/8-bit• Burst ROM interface<ul style="list-style-type: none">— Wait-cycle insertion can be set by register values.— Number of units in burst transfers can be set by register values.— Connectable as area 0, 1, 2, 3, 4, 5, or 6— Selectable bus width: 64-/32-/16-/8-bit• MPX interface<ul style="list-style-type: none">— Address/data multiplexing— Connectable as area 1 or 4— Selectable bus widths: 64-/32-bit• SRAM interface with byte-control<ul style="list-style-type: none">— Connectable as area 1 or 4— Selectable bus width: 64-/32-/16-bit• PCMCIA interface (only for little-endian mode)<ul style="list-style-type: none">— Wait-cycle insertion can be set by register values.— Bus-sizing function for adaptation to the I/O bus width— Connectable as area 5 or 6— Selectable bus width: 16-/8-bit• Supports transfer to and from E-IDE/ATAPI devices (ATA3)<ul style="list-style-type: none">— Supports PIO mode 4 type and multi-word DMA mode 2 type— Connectable as area 5 or 6• Big or little endian is selectable <hr/>

Item	Features
DDR2-SDRAM bus controller (DBSC)	<ul style="list-style-type: none"> • A dedicated DDR2-SDRAM bus interface <ul style="list-style-type: none"> — Multi-bank support: Supports multi-bank (four banks) operation — Number of banks: Supports four or eight banks (however, no more than four banks can be opened concurrently) — Selectable bus width: 32-/16-bit — Supports preceding precharging and activation — Burst length: Four (fixed) — Burst type: Sequential (fixed) — CAS latency: 2, 3, 4, 5, 6 cycles • Auto-refresh mode <ul style="list-style-type: none"> — An average interval is selectable by a register setting. Preceding refresh operations are performed when there are no pending requests. • Self-refresh mode • Connectable memory capacity: Up to 1 Gbyte <ul style="list-style-type: none"> — With a 32-bit bus width <ul style="list-style-type: none"> 16 M x 16 bits (256 Mbits) x 2, 32 M x 16 bits (512 Mbits) x 2, 64 M x 16 bits (1 Gbit) x 2, 128 M x 16 bits (2 Gbits) x 2, 32 M x 8 bits (256 Mbits) x 4, 64 M x 8 bits (512 Mbits) x 4, 128 M x 8 bits (1 Gbit) x 4, 256 M x 8 bits (2 Gbits) x 4 — With a 16-bit bus width <ul style="list-style-type: none"> 16 M x 16 bits (256 Mbits) x 1, 32 M x 16 bits (512 Mbits) x 1, 64 M x 16 bits (1 Gbit) x 1, 128 M x 16 bits (2 Gbits) x 1, 32 M x 8 bits (256 Mbits) x 2, 64 M x 8 bits (512 Mbits) x 2, 128 M x 8 bits (1 Gbit) x 2, 256 M x 8 bits (2 Gbits) x 2 • Big or little endian is selectable

Item	Features
PCI bus controller (PCIC)	<ul style="list-style-type: none"> • PCI bus controller (supports a subset of revision 2.2) <ul style="list-style-type: none"> — 32-bit bus (33 MHz or 66 MHz) • Operation as PCI master/target • Operation in PCI host/normal mode <ul style="list-style-type: none"> — Built-in bus arbiter (host mode) • Operates with up to four external bus-master devices • Mode for operation with an external bus arbiter • Supports burst transfers • Supports parity checking and error reports • Supports four individual external interrupt signals (\overline{INTA} to \overline{INTD}) in host mode • Supports a single external interrupt signal (\overline{INTA}) in normal mode • Up to 512 Mbytes of PCI memory space (32 bit address mode) • Up to 64 Mbytes of PCI memory space (29 bit address mode)
Direct memory access controller (DMAC)	<ul style="list-style-type: none"> • Number of channels: 12 • 12-channel physical address DMA controller • Four channels support external requests (channels 0 to 3) • Address space: 4 Gbytes (Physical address) • Units of data transfer: 8, 16, or 32 bits; 16 or 32 bytes • Address modes: <ul style="list-style-type: none"> — Dual address mode • Transfer requests: External request, on-chip peripheral module request, or auto-request • Choice of DACK or DRAK (four external pins) • Bus modes: Cycle-stealing or burst mode • Priority: Select either fixed mode or round-robin mode
Clock pulse generator (CPG)	<ul style="list-style-type: none"> • CPU frequency: Up to 600 MHz • Local bus frequency: Up to 100 MHz • DDR2-SDRAM interface frequency: Up to 300 MHz • On-chip peripheral bus frequency: Up to 50 MHz • Power-down modes <ul style="list-style-type: none"> — Sleep mode — Module-standby mode — DDR back-up power function (power is supplied only to the DDR)

Item	Features
Watchdog timer (WDT)	<ul style="list-style-type: none">• Number of channels: One• Single-channel watchdog timer (operation in watchdog-timer or interval-timer mode is selectable)• Selectable reset function: Power-on or manual reset
Timer unit (TMU)	<ul style="list-style-type: none">• Number of channels: Six• 6-channel auto-reloading 32-bit down-counter• Input-capture function (only on channel 2)• Choice of a maximum of six input clock signals to drive counting (external and peripheral clock signals)
Graphics data translation accelerator (GDTA)	<ul style="list-style-type: none">• YUV data translation<ul style="list-style-type: none">— Translation mode: YUYV mode (YUV 4:2:0 → YUV 4:2:2), ARGB mode (YUV 4:2:0 → ARGB8888)• Motion Compensation processing<ul style="list-style-type: none">— Generation of estimated images using motion vectors in macroblock units (16 x 16 pixels)— Modes: Forward, reverse, bidirectional, and intra-macroblock processing• Dedicated DMAC for image-data transfer• Embedded RAM for color-palette data• Embedded RAM for IDCT data

Item	Features
Display unit (DU)	<ul style="list-style-type: none">• Display plane<ul style="list-style-type: none">— 6 planes (a maximum number at 480 dots x 234 dots)— 4 planes (a maximum number at 854 dots x 480 dots)— 3 planes (a maximum number at 800 dots x 600 dots)• CRT scanning method: Non-interlaced, interlaced, interlaced sync & video• Synchronization modes: Master mode (internal synchronization mode), TV synchronization mode (external synchronization mode), synchronization-mode switching mode• Incorporates color palettes<ul style="list-style-type: none">— Displays 256 colors from among 260 thousand possible colors— Four palettes (one can be set for each layer)• Blending ratio setting<ul style="list-style-type: none">— Number of color-palette planes with blending ratios: Four— α plane: (used in common with the display plane)• Digital RGB output: 6-bit precision for each of R, G, and B• Dot clock: Can be switched between external input and internal clock (division ratio: from 1 to 32)
Serial communications interface with FIFO (SCIF)	<ul style="list-style-type: none">• Number of channels: Six (max.)• On-chip 64-byte (8 bits x 64) FIFO for each of the six channels• Two full-duplex channels• Choice of asynchronous mode or synchronous mode• Any bit rate that can be generated by the on-chip baud-rate generator is selectable• On-chip modem-control function (RTS and CTS) for channel 0• Internal clock signal from the baud-rate generator or external clock signal from the SCK pin is selectable

Item	Features
Synchronized serial I/O with FIFO (SIOF)	<ul style="list-style-type: none"> • Number of channels: One (max.) • Supports full-duplex operation • Separate 64-byte (32 bits x 16) FIFOs for transmission and reception • Supports the input and output of 8-/16-bit monaural and 16-bit stereophonic audio data • Method of synchronization selectable as frame synchronization pulses or left/right channel switching • Allows connection of linear, audio, A-law, or μ-Law CODEC chip • Select an on-chip peripheral clock or input on an external pin as base for the sampling-rate clock • Maximum sampling rate: 48 kHz • On-chip prescaler that uses the on-chip peripheral clock
Serial protocol interface (HSPI)	<ul style="list-style-type: none"> • Number of channels: One (max.) • Supports full-duplex operation • Master/slave mode • Selectable bit rate generated by the on-chip baud-rate generator
Multimedia card interface (MMCIF)	<ul style="list-style-type: none"> • Number of channels: One (max.) • Supports a subset of version 3.1 of the multimedia card system specification • Supports MMC-mode operation • Interfaces with MMCCLK output (transfer clock output), MMCCMD I/O (command output/response input), and MMCDAT I/O (data I/O) pins
Audio codec interface (HAC)	<ul style="list-style-type: none"> • Number of channels: Two (max.) • Digital interface for audio codecs • Supports transfer via slots 1 to 4 • Choice of 16- or 20-bit DMA transfer rates for transmission/reception • Supports various sampling rates by adjusting the allocation of data to slots

Item	Features
Serial sound interface (SSI)	<ul style="list-style-type: none"> • Number of channels: Two (max.) • Supports transfer of compressed and non-compressed data • Selectable frame size
NAND flash memory controller (FLCTL)	<ul style="list-style-type: none"> • Number of channels: One (max.) • Exclusively for NAND-type flash memory • Operating modes: Command-access mode, sector-access mode • Data transfer FIFOs <ul style="list-style-type: none"> — On-chip 224-byte FIFO for transfer of data to and from flash memory — On-chip 32-byte FIFO for transfer of control codes — Flag bit to indicate overruns and underruns during access from the CPU or DMA
General purpose I/O (GPIO)	<ul style="list-style-type: none"> • General purpose I/O port pins: 111 • Some GPIO pins are configurable as interrupts
User break controller (UBC)	<ul style="list-style-type: none"> • Supports user-break interrupts as a facility for debugging • Two break channels • Addresses, data values, types of access, and widths of data are all specifiable as break conditions • Supports a sequential break function
User debug interface (H-UDI)	<ul style="list-style-type: none"> • JTAG interface (TCK, TMS, TRST, TDI, TDO) • Supports the E10A emulator • Realtime branch tracing
Package	<ul style="list-style-type: none"> • 436-pin flip-chip BGA (body: 19 x 19 mm, ball pitch: 0.8-mm)
Power supply voltage	<ul style="list-style-type: none"> • Internal (VDD), PLL1 (VDD-PLL1, VDDA-PLL1), PLL2 (VDD-PLL2): 1.1 V • DDR2 I/O (VDD-DDR): 1.8 V • I/O (VDDQ), PLL1 (VDDQ-PLL1), PLL2 (VDDQ-PLL2): 3.3 V

1.2 Block Diagram

A block diagram of the SH7785 is given as figure 1.1.

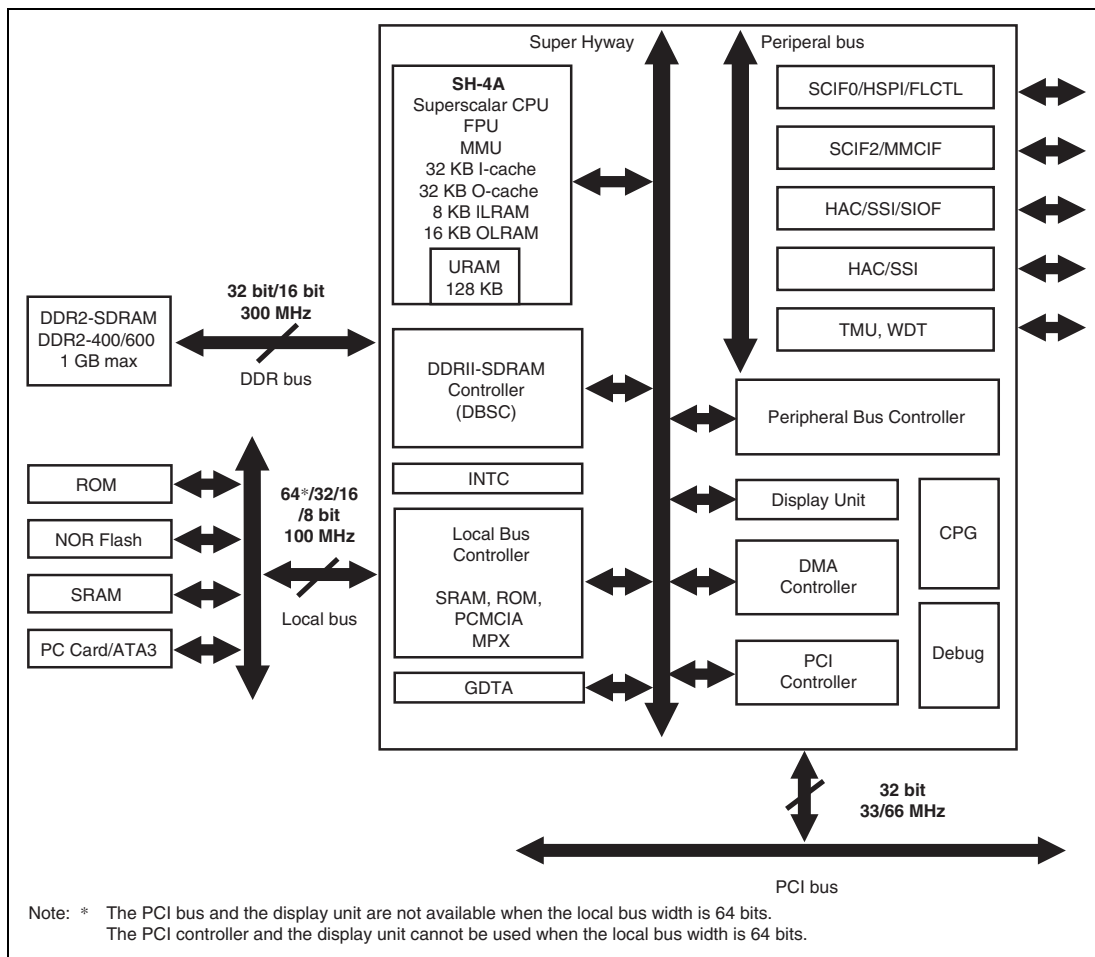


Figure 1.1 SH7785 Block Diagram

1.3 Pin Arrangement Table

Table 1.2 Pin Function

No.	Pin Name	I/O	Function	No.	Pin Name	I/O	Function
1	MDQ0	IO	DDR data 0	28	MDQ27	IO	DDR data 27
2	MDQ1	IO	DDR data 1	29	MDQ28	IO	DDR data 28
3	MDQ2	IO	DDR data 2	30	MDQ29	IO	DDR data 29
4	MDQ3	IO	DDR data 3	31	MDQ30	IO	DDR data 30
5	MDQ4	IO	DDR data 4	32	MDQ31	IO	DDR data 31
6	MDQ5	IO	DDR data 5	33	MDM0	O	DDR data mask 0
7	MDQ6	IO	DDR data 6	34	MDM1	O	DDR data mask 1
8	MDQ7	IO	DDR data 7	35	MDM2	O	DDR data mask 2
9	MDQ8	IO	DDR data 8	36	MDM3	O	DDR data mask 3
10	MDQ9	IO	DDR data 9	37	MDQS0	IO	DDR data strobe 0
11	MDQ10	IO	DDR data 10	38	MDQS1	IO	DDR data strobe 1
12	MDQ11	IO	DDR data 11	39	MDQS2	IO	DDR data strobe 2
13	MDQ12	IO	DDR data 12	40	MDQS3	IO	DDR data strobe 3
14	MDQ13	IO	DDR data 13	41	$\overline{\text{MDQS0}}$	IO	DDR data strobe 0 (antiphase)
15	MDQ14	IO	DDR data 14	42	$\overline{\text{MDQS1}}$	IO	DDR data strobe 1 (antiphase)
16	MDQ15	IO	DDR data 15	43	$\overline{\text{MDQS2}}$	IO	DDR data strobe 2 (antiphase)
17	MDQ16	IO	DDR data 16	44	$\overline{\text{MDQS3}}$	IO	DDR data strobe 3 (antiphase)
18	MDQ17	IO	DDR data 17	45	MA0	O	DDR address 0
19	MDQ18	IO	DDR data 18	46	MA1	O	DDR address 1
20	MDQ19	IO	DDR data 19	47	MA2	O	DDR address 2
21	MDQ20	IO	DDR data 20	48	MA3	O	DDR address 3
22	MDQ21	IO	DDR data 21	49	MA4	O	DDR address 4
23	MDQ22	IO	DDR data 22	50	MA5	O	DDR address 5
24	MDQ23	IO	DDR data 23	51	MA6	O	DDR address 6
25	MDQ24	IO	DDR data 24	52	MA7	O	DDR address 7
26	MDQ25	IO	DDR data 25	53	MA8	O	DDR address 8
27	MDQ26	IO	DDR data 26	54	MA9	O	DDR address 9

No.	Pin Name	I/O	Function	No.	Pin Name	I/O	Function
55	MA10	O	DDR address 10	87	D12	IO	Local bus data 12
56	MA11	O	DDR address 11	88	D13	IO	Local bus data 13
57	MA12	O	DDR address 12	89	D14	IO	Local bus data 14
58	MA13	O	DDR address 13	90	D15	IO	Local bus data 15
59	MA14	O	DDR address 14	91	D16	IO	Local bus data 16
60	MBA0	O	DDR bank address 0	92	D17	IO	Local bus data 17
61	MBA1	O	DDR bank address 1	93	D18	IO	Local bus data 18
62	MBA2	O	DDR bank address 2	94	D19	IO	Local bus data 19
63	MCK0	O	DDR clock 0	95	D20	IO	Local bus data 20
64	$\overline{\text{MCK0}}$	O	DDR clock 0 (antiphase)	96	D21	IO	Local bus data 21
65	MCK1	O	DDR clock 1	97	D22	IO	Local bus data 22
66	$\overline{\text{MCK1}}$	O	DDR clock 1 (antiphase)	98	D23	IO	Local bus data 23
67	$\overline{\text{MCS}}$	O	DDR chip select	99	D24	IO	Local bus data 24
68	$\overline{\text{MRAS}}$	O	DDR row address select	100	D25	IO	Local bus data 25
69	$\overline{\text{MCAS}}$	O	DDR column address select	101	D26	IO	Local bus data 26
70	$\overline{\text{MWE}}$	O	DDR write enable	102	D27	IO	Local bus data 27
71	MODT	O	DDR on chip terminator	103	D28	IO	Local bus data 28
72	MCKE	O	DDR clock enable	104	D29	IO	Local bus data 29
73	MVREF	I	DDR reference voltage	105	D30	IO	Local bus data 30
74	$\overline{\text{MBKPRST}}$	I	DDR backup reset	106	D31	IO	Local bus data 31
75	D0	IO	Local bus data 0	107	A0	O	Local bus address 0
76	D1	IO	Local bus data 1	108	A1	O	Local bus address 1
77	D2	IO	Local bus data 2	109	A2	O	Local bus address 2
78	D3	IO	Local bus data 3	110	A3	O	Local bus address 3
79	D4	IO	Local bus data 4	111	A4	O	Local bus address 4
80	D5	IO	Local bus data 5	112	A5	O	Local bus address 5
81	D6	IO	Local bus data 6	113	A6	O	Local bus address 6
82	D7	IO	Local bus data 7	114	A7	O	Local bus address 7
83	D8	IO	Local bus data 8	115	A8	O	Local bus address 8
84	D9	IO	Local bus data 9	116	A9	O	Local bus address 9
85	D10	IO	Local bus data 10	117	A10	O	Local bus address 10
86	D11	IO	Local bus data 11	118	A11	O	Local bus address 11

1. Overview

No.	Pin Name	I/O	Function	No.	Pin Name	I/O	Function
119	A12	O	Local bus address 12	140	$\overline{RD}/\overline{FRAME}$	O/O	Read strobe/MPX IF FRAME
120	A13	O	Local bus address 13	141	R \overline{W}	O	Read/Write
121	A14	O	Local bus address 14	142	\overline{BS}	O	Bus start
122	A15	O	Local bus address 15	143	$\overline{WE0}/\overline{REG}$	O/O	Write enable 0/PCMCIA IF REG
123	A16	O	Local bus address 16	144	$\overline{WE1}$	O	Write enable 1
124	A17	O	Local bus address 17	145	$\overline{WE2}/\overline{IORD}$	O/O	Write enable 2/PCMCIA IF IORD
125	A18	O	Local bus address 18	146	$\overline{WE3}/\overline{IOWR}$	O/O	Write enable 3/PCMCIA IF IOWR
126	A19	O	Local bus address 19	147	\overline{RDY}	I	Bus ready
127	A20	O	Local bus address 20	148	CLKOUT	O	Clock out
128	A21	O	Local bus address 21	149	CLKOUTENB	O	Clock out enable
129	A22	O	Local bus address 22	150	D32/AD0/DR0	IO/IO/O	Local bus data 32/PCI address data 0/Digital red 0
130	A23	O	Local bus address 23	151	D33/AD1/DR1	IO/IO/O	Local bus data 33/PCI address data 1/Digital red 1
131	A24	O	Local bus address 24	152	D34/AD2/DR2	IO/IO/O	Local bus data 34/PCI address data 2/Digital red 2
132	A25	O	Local bus address 25	153	D35/AD3/DR3	IO/IO/O	Local bus data 35/PCI address data 3/Digital red 3
133	$\overline{CS0}$	O	Chip select 0	154	D36/AD4/DR4	IO/IO/O	Local bus data 36/PCI address data 4/Digital red 4
134	$\overline{CS1}$	O	Chip select 1	155	D37/AD5/DR5	IO/IO/O	Local bus data 37/PCI address data 5/Digital red 5
135	$\overline{CS2}$	O	Chip select 2	156	D38/AD6/DG0	IO/IO/O	Local bus data 38/PCI address data 6/Digital green 0
136	$\overline{CS3}$	O	Chip select 3	151	D33/AD1/DR1	IO/IO/O	Local bus data 33/PCI address data 1/Digital red 1
137	$\overline{CS4}$	O	Chip select 4	152	D34/AD2/DR2	IO/IO/O	Local bus data 34/PCI address data 2/Digital red 2
138	$\overline{CS5}$	O	Chip select 5	153	D35/AD3/DR3	IO/IO/O	Local bus data 35/PCI address data 3/Digital red 3
139	$\overline{CS6}$	O	Chip select 6	154	D36/AD4/DR4	IO/IO/O	Local bus data 36/PCI address data 4/Digital red 4

No.	Pin Name	I/O	Function	No.	Pin Name	I/O	Function
155	D37/AD5/DR5	IO/IO/O	Local bus data 37/PCI address data 5/Digital red 5	168	D50/AD18	IO/IO	Local bus data 50/PCI address data 18
156	D38/AD6/DG0	IO/IO/O	Local bus data 38/PCI address data 6/Digital green 0	169	D51/AD19	IO/IO	Local bus data 51/PCI address data 19
157	D39/AD7/DG1	IO/IO/O	Local bus data 39/PCI address data 7/Digital green 1	170	D52/AD20	IO/IO	Local bus data 52/PCI address data 20
158	D40/AD8/DG2	IO/IO/O	Local bus data 40/PCI address data 8/Digital green 2	171	D53/AD21	IO/IO	Local bus data 53/PCI address data 21
159	D41/AD9/DG3	IO/IO/O	Local bus data 41/PCI address data 9/Digital green 3	172	D54/AD22	IO/IO	Local bus data 54/PCI address data 22
160	D42/AD10/DG4	IO/IO/O	Local bus data 42/PCI address data 10/Digital green 4	173	D55/AD23	IO/IO	Local bus data 55/PCI address data 23
161	D43/AD11/DG5	IO/IO/O	Local bus data 43/PCI address data 11/Digital green 5	174	D56/AD24	IO/IO	Local bus data 56/PCI address data 24
162	D44/AD12/DB0	IO/IO/O	Local bus data 44/PCI address data 12/Digital blue 0	175	D57/AD25	IO/IO	Local bus data 57/PCI address data 25
163	D45/AD13/DB1	IO/IO/O	Local bus data 45/PCI address data 13/Digital blue 1	176	D58/AD26	IO/IO	Local bus data 58/PCI address data 26
164	D46/AD14/DB2	IO/IO/O	Local bus data 46/PCI address data 14/Digital blue 2	177	D59/AD27	IO/IO	Local bus data 59/PCI address data 27
165	D47/AD15/DB3	IO/IO/O	Local bus data 47/PCI address data 15/Digital blue 3	178	D60/AD28	IO/IO	Local bus data 60/PCI address data 28
166	D48/AD16/DB4	IO/IO/O	Local bus data 48/PCI address data 16/Digital blue 4	179	D61/AD29	IO/IO	Local bus data 61/PCI address data 29
167	D49/AD17/DB5	IO/IO/O	Local bus data 49/PCI address data 17/Digital blue 5	180	D62/AD30	IO/IO	Local bus data 62/PCI address data 30

1. Overview

No.	Pin Name	I/O	Function	No.	Pin Name	I/O	Function
181	D63/AD31	IO/IO	Local bus data 63/PCI address data 31	199	$\overline{\text{REQ2}}$	I	Bus request 2 (PCI host)
182	$\overline{\text{WE4/CBE0}}$	O/IO	Write enable 4/PCI command/byte enable 0	200	$\overline{\text{REQ3}}$	I	Bus request 3 (PCI host)
183	$\overline{\text{WE5/CBE1}}$	O/IO	Write enable 5/PCI command/byte enable 1	201	$\overline{\text{GNT1}}$	O	PCI bus grant 1
184	$\overline{\text{WE6/CBE2}}$	O/IO	Write enable 6/PCI command/byte enable 2	202	$\overline{\text{GNT2}}$	O	PCI bus grant 2
185	$\overline{\text{WE7/CBE3}}$	O/IO	Write enable 7/PCI command/byte enable 3	203	$\overline{\text{GNT3/MMCCLK}}$	O/O	PCI bus grant 3/MMCIF card clock output
186	$\overline{\text{PCIFRAME/VSYNC}}$	IO/IO	PCI cycle frame/VSYNC output	204	$\overline{\text{PCIRESET}}$	O	PCI reset (RST)
187	$\overline{\text{IRDY/HSYNC}}$	IO/IO	PCI initiator ready/HSYNC output	205	PCICLK/ DCLKIN	I/I	PCI input clock/DU dot clock input
188	$\overline{\text{TRDY/DISP}}$	IO/O	PCI target ready/display period	206	$\overline{\text{INTA}}$	IO	PCI interrupt A
189	IDSEL	I	PCI configuration device select	207	EXTAL	I	External input clock/Crystal resonator
190	$\overline{\text{LOCK/ODDF}}$	IO/IO	PCI lock/even-odd field	208	XTAL	O	Crystal resonator
191	$\overline{\text{DEVSEL/DCLKOUT}}$	IO/O	PCI device select/DU dot clock output	209	$\overline{\text{PRESET}}$	I	Power on reset
192	PAR	IO	PCI parity	210	NMI	I	Nonmaskable interrupt
193	$\overline{\text{STOP/CDE}}$	IO/O	PCI transaction stop/color detection	211	$\overline{\text{IRL0}}$	I	IRL interrupt request 0
194	$\overline{\text{SERR}}$	IO	PCI system error	212	$\overline{\text{IRL1}}$	I	IRL interrupt request 1
195	$\overline{\text{PERR}}$	IO	PCI parity error	213	$\overline{\text{IRL2}}$	I	IRL interrupt request 2
196	$\overline{\text{REQ0/REQOUT}}$	I/O	Bus request 0 (PCI host)/bus request output	214	$\overline{\text{IRL3}}$	I	IRL interrupt request 3
197	$\overline{\text{GNT0/GNTIN}}$	O/I	PCI bus grant 0	215	STATUS0/ DRAK0	O/O	Status 0/DMA channel 0 transfer request acknowledge 0
198	$\overline{\text{REQ1}}$	I	PCI request 1 (PCI host)	216	STATUS1/ DRAK1	O/O	Status 1/DMA channel 1 transfer request acknowledge 1

No.	Pin Name	I/O	Function	No.	Pin Name	I/O	Function
217	$\overline{\text{BREQ}}/\overline{\text{BSACK}}$	I	Bus request (Master mode)/ Bus acknowledgement (Slave mode)	233	$\overline{\text{ASEBRK}}/\overline{\text{BRKACK}}$	I	H-UDI emulator
218	$\overline{\text{BACK}}/\overline{\text{BSREQ}}$	O	Bus acknowledgement (Master mode)/Bus request (Slave mode)	234	AUDCK	O	H-UDI emulator clock
219	$\overline{\text{DREQ0}}$	I	DMA channel 0 request	235	AUDSYNC	O	H-UDI emulator
220	$\overline{\text{DREQ1}}$	I	DMA channel 1 request	236	AUDATA0	O	H-UDI emulator data 0
221	$\overline{\text{DREQ2}}/\overline{\text{INTB}}$	I/I	DMA channel 2 request/PCI interrupt B	237	AUDATA1	O	H-UDI emulator data 1
222	$\overline{\text{DREQ3}}/\overline{\text{INTC}}$	I/I	DMA channel 3 request/PCI interrupt C	238	AUDATA2	O	H-UDI emulator data 2
223	DACK0	O	DMA channel 0 bus acknowledgment	239	AUDATA3	O	H-UDI emulator data 3
224	DACK1	O	DMA channel 1 bus acknowledgment	240	SCIF0_TXD/ $\overline{\text{HSPI_TX}}/\overline{\text{FWE}}$	O/O/O	SCIF0 transmit data/HSPI transmit data/NAND flash write enable
225	DACK2/ SCIF2_TXD/ MMCCMD/ SIOF_TXD	O/O/O/I O/O	DMA channel 2 bus acknowledgment/SCIF2 transmit data/MMCIF command response/SIOF transmit data	241	SCIF0_RXD/ $\overline{\text{HSPI_RX}}/\overline{\text{FRB}}$	I/I/I	SCIF0 receive data/HSPI receive data/NAND flash ready or busy
226	DACK3/ SCIF2_SCK/ MMCDAT/ SIOF_SCK	O/O/O/O/ IO/O/O	DMA channel 3 bus acknowledgment/SCIF2 serial clock/MMCIF data/SIOF serial clock	242	SCIF0_SCK/ $\overline{\text{HSPI_CLK}}/\overline{\text{FRE}}$	IO/O/O/O	SCIF0 serial clock/HSPI serial clock/NAND flash read enable
227	$\overline{\text{DRAK2}}/\overline{\text{CE2A}}$	O/O	DMA channel 2 transfer request acknowledge 2/PCMCIA CE2A	243	$\overline{\text{SCIF0_RTS}}/\overline{\text{HSPI_CS}}/\overline{\text{FSE}}$	IO/O/O/O	SCIF0 modem control/HSPI chip selection/NAND flash spare area enable
228	TCK	I	H-UDI clock	244	$\overline{\text{SCIF0_CTS}}/\overline{\text{INTD}}/\overline{\text{FCE}}$	IO/I/O/O	SCIF0 modem control/PCI interrupt D/NAND flash chip enable
229	TMS	I	H-UDI emulator	245	SCIF1_TXD	O	SCIF1 transmit data
230	TDI	I	H-UDI data	246	SCIF1_RXD	I	SCIF1 receive data
231	TDO	O	H-UDI data	247	SCIF1_SCK	IO	SCIF1 serial clock
232	$\overline{\text{TRST}}$	I	H-UDI emulator	248	SCIF2_RXD/ SIOF_RXD	I/I	SCIF2 receive data/SIOF receive data

1. Overview

No.	Pin Name	I/O	Function	No.	Pin Name	I/O	Function
249	SIOF_SCK/ HAC0_BITCLK/ SSI0_CLK	I/O/I/O	SIOF serial clock/HAC0 bit clock/SSI0 serial bit clock	256	SCIF5_RXD/ HAC1_SDIN/ SSI1_SCK	I/I/O	SCIF5 receive data/HAC1 serial data/SSI1 serial data
250	SIOF_MCLK/ HAC_RES	I/O	SIOF master clock/HAC reset	257	SCIF5_SCK/ HAC1_SDOUT/ SSI1_SDATA	IO/O/O	SCIF5 synchronous/HAC1 serial data/SSI1 serial data
251	SIOF_SYNC/ HAC0_SYNC/ SSI0_WS	IO/O/O	SIOF flame synchronous/HAC0 flame synchronous/SSI0 word select	258	MODE0/ IRL4/FD4	I/I/O	Mode control 0/IRL interrupt request 4/NAND flash data 4
252	SIOF_RXD/ HAC0_SDIN/ SSI0_SCK	I/I/O	SIOF receive data/HAC0 serial data incoming to Rx frame/SSI0 serial bit clock	259	MODE1/ IRL5/FD5	I/I/O	Mode control 1/IRL interrupt request 5/NAND flash data 5
253	SIOF_TXD/ HAC0_SDOU/ SSI0_SDATA	O/O/O	SIOF transmit data/HAC0 serial data/SSI0 serial data	260	MODE2/ IRL6/FD6	I/I/O	Mode control 2/IRL interrupt request 6/NAND flash data 6
254	HAC1_BITCLK/ SSI1_CLK	I/O	HAC1 bit clock/SSI1 serial bit clock	261	MODE3/ IRL7/FD7	I/I/O	Mode control 3/IRL interrupt request 7/NAND flash data 7
255	SCIF5_TXD/ HAC1_SYNC/ SSI1_WS	O/O/O	SCIF5 transmit data/HAC1 synchronous/SSI1 serial bit clock	262	MODE4/ SCIF3_TXD/ FCLE	I/O/O	Mode control 4/SCIF3 transmit data/NAND flash command latch enable
256	SCIF5_RXD/ HAC1_SDIN/ SSI1_SCK	I/I/O	SCIF5 receive data/HAC1 serial data/SSI1 serial data	263	MODE5/ SIOF_MCLK	I/I	Mode control 5/SIOF master clock
251	SIOF_SYNC/ HAC0_SYNC/ SSI0_WS	IO/O/O	SIOF flame synchronous/HAC0 flame synchronous/SSI0 word select	264	MODE6/ SIOF_SYNC	I/O	Mode control 6/SIOF frame synchronous
252	SIOF_RXD/ HAC0_SDIN/ SSI0_SCK	I/I/O	SIOF receive data/HAC0 serial data incoming to Rx frame/SSI0 serial bit clock	265	MODE7/ SCIF3_RXD/ FALE	I/I/O	Mode control 7/SCIF3 receive data/NAND flash ALE
253	SIOF_TXD/ HAC0_SDOU/ SSI0_SDATA	O/O/O	SIOF transmit data/HAC0 serial data/SSI0 serial data	266	MODE8/ SCIF3_SCK/ FD0	I/O/O	Mode control 8/SCIF3 serial clock/NAND flash data 0
254	HAC1_BITCLK/ SSI1_CLK	I/O	HAC1 bit clock/SSI1 serial bit clock	267	MODE9/ SCIF4_TXD/ FD1	I/O/O	Mode control 9/SCIF4 transmit data/NAND flash data 1
255	SCIF5_TXD/ HAC1_SYNC/ SSI1_WS	O/O/O	SCIF5 transmit data/HAC1 synchronous/SSI1 serial bit clock	268	MODE10/ SCIF4_RXD/ FD2	I/I/O	Mode control 10/SCIF4 receive data/NAND flash data 2

No.	Pin Name	I/O	Function	No.	Pin Name	I/O	Function
269	MODE11/ SCIF4_SCK/ FD3	I/O/O	Mode control 11/SCIF4 serial clock/NAND flash data 3	274	$\overline{\text{MRESETOUT}}$ / $\overline{\text{IRQOUT}}$	O/O	Manual reset output/Interrupt request output
270	MODE12/ DRAK3/ $\overline{\text{CE2B}}$	I/O/O	Mode control 12/DMA channel 3 transfer request acknowledge 3/PCMCIA CE2B	275	THDAG	—	Thermal diode*
271	MODE13/ TCLK/ $\overline{\text{IOIS16}}$	I/O/I	TMU clock/PCMCIA IOIS16	276	THDAS	—	Thermal diode*
272	MPMD	I	H-UDI emulator mode	277	THDCD	I	Thermal diode*
273	MODE14	I	Mode control 14	278	THDCTL	I	Thermal diode*

Note: * This pin must be pulled-down to GND.

1.4 Pin Arrangement

Package: 436-pin FC-BGA, 19 mm x 19 mm, ball pitch: 0.8 mm

	1	2	3	4	5	6	7	8	9	10	11	12	13	14	15	16	17	18	19	20	21	22									
A	VSS	MCK0	VSS	MCKE	MBA0	MA9	MDQ1	MDQ7	MDQ13	MDQ12	MDM1	AUDSYNC	AUDCK	TCK	VSSQ-TD	THDCTL	STATU S1/DRA K1	XTAL	EXTAL	MODE14	VSSQ- PLL1	VSS	A								
B	MCK1	VDD- DDR	MCK0	VDD- DDR	MA1	VSS	MDQ2	VDD- DDR	MDQ6	VSS	MDQ14	AUDAT A2	VSS	TDI	VDDQ	VDDQ- TD	VSS	STATUS/ DRAK0	VDDQ	VDDQ- PLL1	VDDQ	VSSA- PLL1	B								
C	VSS	MCK1	MCKPRST	MODT	MBA2	MA11	MDQ4	MDQ0	MDQ5 0	MDQ10	MDQ5 1	AUDAT A0	AUDAT A3	ASEBRK/ BRKACK	TRST	DACK0	DREQ0	MPMD	NMI	VDDA- PLL1	VDD- PLL1	VSS- PLL1	C								
D	MVREF	VDD- DDR	MBA1	VSS	MA2	VDD- DDR	MA13	VSS	MDQ5 0	VDD- DDR	MDQ5 1	AUDAT A1	VDDQ	THDAG	VSS	DREQ1	VDDQ	SCIF2_RXD /SIOF_RXD	VSS	VDDQ- PLL2	VDDQ	VSSQ- PLL2	D								
E	MA10	MCS	MCA5	MRA5	MWE	MA5	MA3	MDQ3	MDM0	MDQ11	MDQ15	VDD- DDR	TDO	THDAS	TMS	DACK1	DREQ2 /INTB	DACK3/ SCIF2_TXD /MCMQMD/ SIOF_TXD	DACK3/ SCIF2_SCK/ MCMCDAT1/ SIOF_SCK	DREQ3 /INTC	VDD- PLL2	VSS- PLL2	E								
F	MA14	VSS	MA6	VDD- DDR	MA0	VSS	MA7	VDD- DDR	MDQ5	VSS	MDQ8	MDQ9	VSS	THDCC	VDDQ	DRAK2/ CE2A	VSS	MRESET UT1/ IRDOUT	VDDQ	CLKOU TENB	VSS	CLKO UT	F								
G	MDQ22	MDQ17	MDQ21	MA8	MA4	MA12	VSS	VDD	VSS	VDD	VSS	VDD	VSS	VDD	VSS	VDD	VSS	IRL3	IRL1	IRL2	MODE12/ GRAM2/ CEB3	INTA	D32/AD 0/DR0	G							
H	MDQ16	VDD- DDR	MDQ18	VSS	MDQ19	VDD- DDR	VDD	PKG TOP VIEW									VSS	VDDQ	D55/AD3/ DR3	VSS	D34/AD 2/DR2	VDDQ	D33/AD 1/DR1	H							
J	MDQ28	MDQ23	MDQ5 2	MDQ5 2	MDM2	MDQ20	VSS										VDD	IRL0	WE4/ CBE0	D39/AD 6/DR5	D38/AD 5/DR5	D37/AD 4/DR4	D36/AD 4/DR4	J							
K	MDQ26	VSS	MDQ25	VDD- DDR	MDQ27	VSS	VDD										VSS	VSS	VSS	VSS	VSS	VSS	VSS	VSS	VSS	D42/AD 10/DR4	VDDQ	D41/AD 9/DR3	VSS	D40/AD 8/DR2	K
L	MDM3	MDQ31	MDQ5 3	MDQ5 3	MDQ29	MDQ30	VSS										VSS	VSS	VSS	VSS	VSS	VSS	VSS	VSS	VSS	WE5/ CBE1	D47/AD 15/DB3	D46/AD 14/DB2	D45/AD 13/DB1	D44/AD 12/DB0	D43/AD 11/DBG5
M	VSS	VSS	MODE0/ /RL4/ /FD4	VDDQ	VDD- DDR	MDQ24	VDD	VSS	VSS	VSS	VSS	VSS	VSS	VSS	VSS	VSS	DEVSEL/ DCLKOUT	STOP /CDE	LOCK /ODDF	FERR	SERR	PAR	M								
N	PRESET	VSS	MODE1/ /RL5/ /FD5	MODE2/ /RL6/ /FD6	MODE3/ /RL7/ /FD7	VSS	VSS	VSS	VSS	VSS	VSS	VSS	VSS	VSS	VSS	VSS	VSS	PCIFRA ME/VS YNC	VDDQ	IRDY/ HSYNC	VSS	TRDY /DISP	N								
P	SCIF3_SCK /HSR1_CLK /FRE	SCIF3_TXD /HSR1_TW /FWE	SCIF3_RXD /HSR1_RW /FRB	SCIF3_DTS /INT0/ /FCE	SCIF3_RTS /HSR1_CS /FSE	MODE7/ SCIF3/ RXD/FALE	VDD	VSS	VSS	VSS	VSS	VSS	VSS	VSS	VSS	VSS	VSS	D52/A D20	D51/A D19	D50/A D18	D49/AD 17/DB5	D48/AD 16/DB4	WE6/ CBE2	P							
R	SCIF1_SCK	VDDQ	MODE6/ SIOF_MCLK	VSS	MODE8/ SCIF3/ SCK/FD0	MODE4/ SCIF3/ TXD/FCLE	VSS	VSS	VSS	VSS	VSS	VSS	VSS	VSS	VSS	VSS	VSS	D55/A D23	VSS	D54/A D22	VDDQ	D53/A D21	R								
T	SCIF1_TXD	SCIF1_RXD	MODE6/ OF_SYNC	SIOF_RXD /AHAC0/ SIOF_SCK	MODE10/ SCIF4_RXD /FD2	VDDQ	VSS	VSS	VSS	VSS	VSS	VSS	VSS	VSS	VSS	VSS	REG9/ RDOUT	D58/A D26	D57/A D25	D56/A D24	WE7/ CBE3	IDSEL	T								
U	SIOF_TXD/ HAC0_SDO UT/SS1/ SDATA	VSS	SIOF_SCK /HAC0_BIT CLK/SIOF1/ CLK	VDDQ	CS6	VSS	CS4	VDDQ	RW	VSS	RD/F RAME	D12	VSS	MODE13/ /TCLK/ /IOIS16	VDDQ	RDY	VSS	REQT	VDDQ	D60/A D28	VSS	D59/A D27	U								
V	SIOF_MCLK/ HAC_RES	SIOF_SYNC /HAC0/ SYNC/SS1/ WS	HAC1_B1 TCLK/ SSH1_CLK	MODE9/ SCIF4/ TXD/FD1	CS5	A14	A11	A6	CS3	CS2	CS1	D11	D16	BS	BACK/ BSREQ	BREQ/ BSACK	REQ2	D63/A D31	D62/A D30	D61/A D29	PC1CLK /DCLKIN	V									
W	SCIF3_SCK /HAC1_SDO OUT/SS1/ SDATA	VDDQ	MODE11/ SCIF4_S CK/FD3	VSS	A18	VDDQ	A10	VSS	A3	VDDQ	CS0	WE0/ REG	VDDQ	WE1	VSS	D22	VDDQ	D27	VSS	GNT0/ GNTIN	VDDQ	REQ3	W								
Y	SCIF3_TXD /HAC1_S HAC1_SSI1/ SSI1_WS	SIOF_RXD /HAC1_ SDN/SSI1/ SCK	A23	A20	A17	A13	A9	A5	A2	D1	D4	D7	D10	D15	D18	D21	WE2/ IORD	D26	D29	GNT2	GNT1	PCIRES ET	Y								
AA	A25	VDDQ	A22	VDDQ	A16	VSS	A8	VDDQ	A1	VSS	D3	D6	VSS	D14	VDDQ	D20	VSS	D25	VDDQ	D31	VDDQ	GNT3/ MMCLK	AA								
AB	VSS	A24	A21	A19	A15	A12	A7	A4	A0	D0	D2	D5	D9	D13	D17	D19	D23	D24	D28	D30	WE3/ OWR	VSS	AB								
	1	2	3	4	5	6	7	8	9	10	11	12	13	14	15	16	17	18	19	20	21	22									

Figure 1.2 SH7785 Pin Arrangement (Top View)

	1	2	3	4	5	6	7	8	9	10	11	12	13	14	15	16	17	18	19	20	21	22																																										
AB	VSS	A24	A21	A19	A15	A12	A7	A4	A0	D0	D2	D5	D9	D13	D17	D19	D23	D24	D28	D30	WE3/ IOWR	VSS																																										
AA	A25	VDDQ	A22	VDDQ	A16	VSS	A8	VDDQ	A1	VSS	D3	D6	VSS	D14	VDDQ	D20	VSS	D25	VDDQ	D31	VDDQ	GNT3/ MMC CLK																																										
Y	SCIF3_TXD (HAC1, SYNC/SS1, WB	SCIF3_RXD (HAC1, SDIN/SS1, SCK	A23	A20	A17	A13	A9	A5	A2	D1	D4	D7	D10	D15	D18	D21	WE2/ IORD	D26	D29	GNT2	GNT1	PCIRE SET																																										
W	SCIF2_SCK (HAC1_SD OUT/SS1, SDATA	VDDQ	MODE11/ SCIF1_SCK /FD3	VSS	A18	VDDQ	A10	VSS	A3	VDDQ	CS0	WE0/ REG	VDDQ	WE1	VSS	D22	VDDQ	D27	VSS	GNT0 /GNTIN	VDDQ	REQ3																																										
V	SIOF_MCLK (HAC2, SYNC/ SS2, WB	SIOF_SYNC (HAC2, SYNC/ SS2, WB	HAC1_BIT CLK/SS1, CLK	MODE9/ CF1_TXD FD1	CS5	A14	A11	A6	CS3	CS2	CS1	D8	D11	D16	B5	BACK/ BSREQ	BREQ/ BSACK	REQ2	D63/A D31	D62/A D30	D61/A D29	PCICLK /DCLKIN																																										
U	SIOF_TXD (HAC3_SDO OUT/SS0, SDATA	VSS	SIOF_SCK (HAC3_BIT CLK/SS0, CLK	VDDQ	CS6	VSS	CS4	VDDQ	R/W	VSS	RD/ FRAME	D12	VSS	MODE13 /TCLK/ IQIS16	VDDQ	RDY	VSS	REQ1	VDDQ	D60/A D28	VSS	D59/A D27																																										
T	SCIF1_TXD	SCIF1_RXD	MODE6/ SIOF_SYNC	SIOF_RXD (HAC2_SD IN/SS0, SCK	MODE10/ SCIF4_TXD /FD2	VDDQ	VDD	VSS	VDD	VSS	VDD	VSS	VDD	VSS	VDD	VSS	REQ0/ REGOUT	D58/A D26	D57/A D25	D56/A D24	WE7/ CBE3	IDSEL																																										
R	SCIF1_SCK	VDDQ	MODE5/ SIOF_MCLK	VSS	MODE8/ SCIF3_SCK /FD0	MODE4/ SCIF3_TXD FCLK	VSS	PKG BTM VIEW										VDD	VDDQ	D55/A D23	VSS	D54/A D22	VDDQ	D53/A D21																																								
P	SCIF0_SCK (HSP1_CLK /FRE	SCIF0_TXD (HSP1_TX /FWE	SCIF0_RXD (HSP1_RX /FWE	SCIF0_CTS (INT0/F CE	SCIF0_RTS (HSP1_CS /FSE	MODE7/ CF3_RXD FALE	VDD											PKG BTM VIEW										VSS	D52/A D20	D51/A D19	D50/A D18	D49/A D17/D B5	D48/A D16/D B4	WE6/ CBE2																														
N	PRESET	VSS	MODE1/ IRL5/FD5	MODE2/ IRL6/FD6	MODE3/ IRL7/FD7	VSS	VSS																					PKG BTM VIEW										VDD	VSS	PCFRA ME/V5 YNC	VDDQ	TRDY/ HSYNC	VSS	TRDY /DISP																				
M	VSS	VSS	MODE0 (IRL4/ FD4	VDDQ	VDD- DDR	MDQ24	VDD																															PKG BTM VIEW										VSS	DEVSE LDC LKOUT	STOP /CDE	LOCK /ODDF	FERR	SERR	PAR										
L	MDM3	MDQ31	MDQS 3	MDQS3	MDQ29	MDQ30	VSS																																									PKG BTM VIEW										VDD	WE5/ CBE1	D47/AD 15/DB3	D46/AD 14/DB2	D45/AD 13/DB1	D44/AD 12/DB0	D43/AD 11/DG5
K	MDQ26	VSS	MDQ25	VDD- DDR	MDQ27	VSS	VDD																																																			PKG BTM VIEW						
J	MDQ28	MDQ23	MDQS 2	MDQS2	MDM2	MDQ20	VSS	PKG BTM VIEW																																																								
H	MDQ16	VDD- DDR	MDQ18	VSS	MDQ19	VDD- DDR	VDD											PKG BTM VIEW																																														
G	MDQ22	MDQ17	MDQ21	MA8	MA4	MA12	VSS																					VDD	VSS	VDD	VSS	VDD	VSS	VDD	VSS	VDD	IRL3																											
F	MA14	VSS	MA6	VDD- DDR	MA0	VSS	MA7																					VDD- DDR	MDQ5	VSS	MDQ8	MDQ9	VSS	THDCCD	VDDQ	DRAK2 /CE2A	VSS	MRESET OUT/ IRQOUT	VDDQ	CLKO UTENB	VSS	CLKOU T																						
E	MA10	MCS	MCAS	MRAS	MWE	MA5	MA3																					MDQ3	MDM0	MDQ11	MDQ15	VDD- DDR	TDO	THDAS	TMS	DACK1	DREQ2 /INTB	DACK3/ CF2_TXD /MMC/CS3 SIOF_TXD	DACK3/ CF2_SCK /MMC/DAT1 SIOF_SCK	DREQ3 /INTC	VDD- PLL2	VSS- PLL2																						
D	MVRE F	VDD- DDR	MBA1	VSS	MA2	VDD- DDR	MA13																					VSS	MDQS0	VDD- DDR	MDQS1	AUDA TA1	VDDQ	THDAG	VSS	DREQ1	VDDQ	SCIF2_RXD RSDIF_RXD	VSS	VDDQ- PLL2	VDDQ	VSSQ- PLL2																						
C	VSS	MCKT	MBKPRST	MODT	MBA2	MA11	MDQ4	MDQ0	MDQS0	MDQ10	MDQS1	AUDA TA0	AUDA TA3	ASEBRK/ BRKACK	TRST	DACK0	DREQ0											MPMD	NMI	VDDA- PLL1	VDD- PLL1	VSS- PLL1																																
B	MCK1	VDD- DDR	MCK0	VDD- DDR	MA1	VSS	MDQ2	VDD- DDR	MDQ6	VSS	MDQ14	AUDA TA2	VSS	TDI	VDDQ	VDDQ- TD	VSS	STATUS0 /DRAK0	VDDQ	VDDQ- PLL1	VDDQ	VSSA- PLL1																																										
A	VSS	MCK0	VSS	MCKE	MBA0	MA9	MDQ1	MDQ7	MDQ13	MDQ12	MDM1	AUDSY NC	AUDCK	TCK	VSSQ- TD	THDCTL	STATUS1 /DRAK1	XTAL	EXTAL	MODE14	VSSQ- PLL1	VSS																																										

Figure 1.3 SH7785 Pin Arrangement (Bottom View)

1.5 Physical Memory Address Map

The SH7785 supports 32-bit virtual address space, and supports both 29-bit and 32-bit physical address spaces. For details of mappings from the virtual address space to the physical address spaces, see section 7, Memory Management Unit (MMU).

Figure 1.4 shows the relationship between the AREASEL bits and the physical memory address map. The 32-bit physical address space corresponds with the address space of the SuperHyway bus.

MMSELR AREASEL[2:0]*	B'000	B'001	B'010	B'011	B'100	B'101	B'110
H'0000 0000	Area 0	LBSC	LBSC	LBSC	LBSC	LBSC	LBSC
H'0400 0000	Area 1	LBSC	LBSC	LBSC	LBSC	LBSC	LBSC
H'0800 0000	Area 2	LBSC	LBSC	DBSC2	DBSC2	DBSC2	LBSC
H'0C00 0000	Area 3	DBSC3	DBSC3	DBSC3	DBSC3	DBSC3	LBSC
H'1000 0000	Area 4	LBSC	PCIC	LBSC	PCIC	DBSC4	LBSC
H'1400 0000	Area 5	LBSC	LBSC	LBSC	LBSC	DBSC5	LBSC
H'1800 0000	Area 6	LBSC	LBSC	LBSC	LBSC	LBSC	LBSC
H'1C00 0000	Area 7(Reserved)						
H'2000 0000	(Undefined)						
H'4000 0000	DDR-SDRAM	DBSC0	DBSC0	DBSC0	DBSC0	DBSC0	DBSC0
H'4400 0000		DBSC1	DBSC1	DBSC1	DBSC1	DBSC1	DBSC1
H'4800 0000		DBSC2	DBSC2	DBSC2	DBSC2	DBSC2	DBSC2
H'4C00 0000		DBSC3	DBSC3	DBSC3	DBSC3	DBSC3	DBSC3
H'5000 0000		DBSC4	DBSC4	DBSC4	DBSC4	DBSC4	DBSC4
H'5400 0000		DBSC5	DBSC5	DBSC5	DBSC5	DBSC5	DBSC5
H'5800 0000		DBSC6	DBSC6	DBSC6	DBSC6	DBSC6	DBSC6
H'5C00 0000		DBSC7	DBSC7	DBSC7	DBSC7	DBSC7	DBSC7
H'6000 0000		DBSC8	DBSC8	DBSC8	DBSC8	DBSC8	DBSC8
H'6400 0000		DBSC9	DBSC9	DBSC9	DBSC9	DBSC9	DBSC9
H'6800 0000		DBSC10	DBSC10	DBSC10	DBSC10	DBSC10	DBSC10
H'6C00 0000		DBSC11	DBSC11	DBSC11	DBSC11	DBSC11	DBSC11
H'7000 0000		DBSC12	DBSC12	DBSC12	DBSC12	DBSC12	DBSC12
H'7400 0000		DBSC13	DBSC13	DBSC13	DBSC13	DBSC13	DBSC13
H'7800 0000		DBSC14	DBSC14	DBSC14	DBSC14	DBSC14	DBSC14
H'7C00 0000		DBSC15	DBSC15	DBSC15	DBSC15	DBSC15	DBSC15
H'8000 0000	(undefined)						
H'C000 0000	PCI (PCIC)	PCIC	PCIC	PCIC	PCIC	PCIC	PCIC
H'E000 0000	(Internal resource)						
H'FFFF FFFF							

29-bit physical address space

32-bit physical address space (extended mode)

Note: Memory Address Map Select Register (MMSELR) Area Select Bit (AREASEL)
For details, refer to section 11.4.1, Memory Address Map Select Register (MMSELR).

Figure 1.4 Relationship between AREASEL Bits and Physical Memory Address Map

Section 2 Programming Model

The programming model of this LSI is explained in this section. This LSI has registers and data formats as shown below.

2.1 Data Formats

The data formats supported in this LSI are shown in figure 2.1.

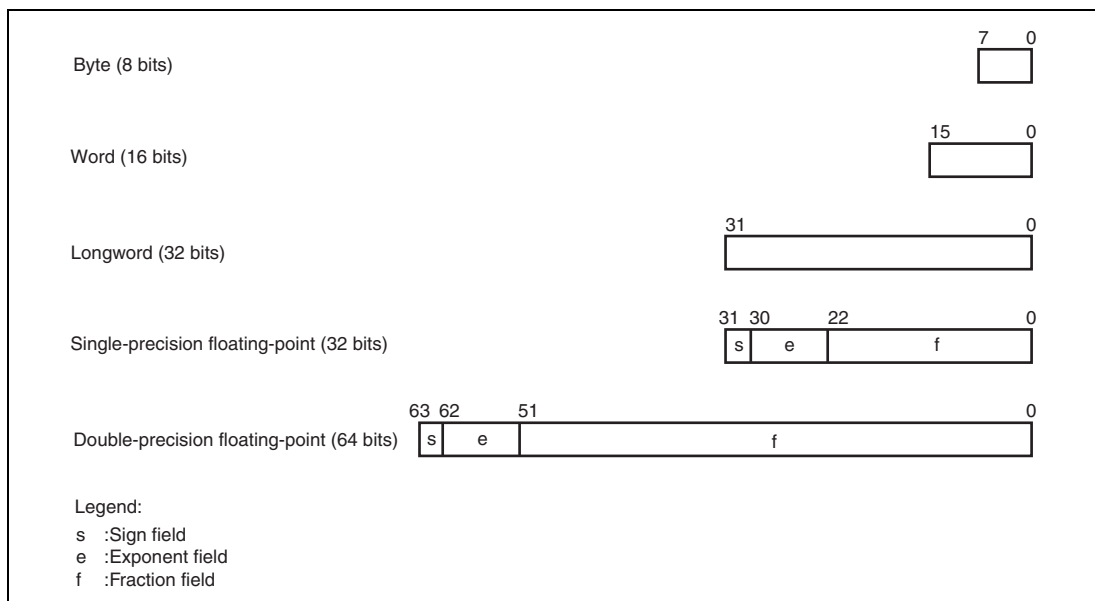


Figure 2.1 Data Formats

2.2 Register Descriptions

2.2.1 Privileged Mode and Banks

(1) Processing Modes

This LSI has two processing modes, user mode and privileged mode. This LSI normally operates in user mode, and switches to privileged mode when an exception occurs or an interrupt is accepted. There are four kinds of registers—general registers, system registers, control registers, and floating-point registers—and the registers that can be accessed differ in the two processing modes.

(2) General Registers

There are 16 general registers, designated R0 to R15. General registers R0 to R7 are banked registers which are switched by a processing mode change.

- Privileged mode

In privileged mode, the register bank bit (RB) in the status register (SR) defines which banked register set is accessed as general registers, and which set is accessed only through the load control register (LDC) and store control register (STC) instructions.

When the RB bit is 1 (that is, when bank 1 is selected), the 16 registers comprising bank 1 general registers R0_BANK1 to R7_BANK1 and non-banked general registers R8 to R15 can be accessed as general registers R0 to R15. In this case, the eight registers comprising bank 0 general registers R0_BANK0 to R7_BANK0 are accessed by the LDC/STC instructions.

When the RB bit is 0 (that is, when bank 0 is selected), the 16 registers comprising bank 0 general registers R0_BANK0 to R7_BANK0 and non-banked general registers R8 to R15 can be accessed as general registers R0 to R15. In this case, the eight registers comprising bank 1 general registers R0_BANK1 to R7_BANK1 are accessed by the LDC/STC instructions.

- User mode

In user mode, the 16 registers comprising bank 0 general registers R0_BANK0 to R7_BANK0 and non-banked general registers R8 to R15 can be accessed as general registers R0 to R15.

The eight registers comprising bank 1 general registers R0_BANK1 to R7_BANK1 cannot be accessed.

(3) Control Registers

Control registers comprise the global base register (GBR) and status register (SR), which can be accessed in both processing modes, and the saved status register (SSR), saved program counter (SPC), vector base register (VBR), saved general register 15 (SGR), and debug base register

(DBR), which can only be accessed in privileged mode. Some bits of the status register (such as the RB bit) can only be accessed in privileged mode.

(4) System Registers

System registers comprise the multiply-and-accumulate registers (MACH/MACL), the procedure register (PR), and the program counter (PC). Access to these registers does not depend on the processing mode.

(5) Floating-Point Registers and System Registers Related to FPU

There are thirty-two floating-point registers, FR0–FR15 and XF0–XF15. FR0–FR15 and XF0–XF15 can be assigned to either of two banks (FPR0_BANK0–FPR15_BANK0 or FPR0_BANK1–FPR15_BANK1).

FR0–FR15 can be used as the eight registers DR0/2/4/6/8/10/12/14 (double-precision floating-point registers, or pair registers) or the four registers FV0/4/8/12 (register vectors), while XF0–XF15 can be used as the eight registers XD0/2/4/6/8/10/12/14 (register pairs) or register matrix XMTRX.

System registers related to the FPU comprise the floating-point communication register (FPUL) and the floating-point status/control register (FPSCR). These registers are used for communication between the FPU and the CPU, and the exception handling setting.

Register values after a reset are shown in table 2.1.

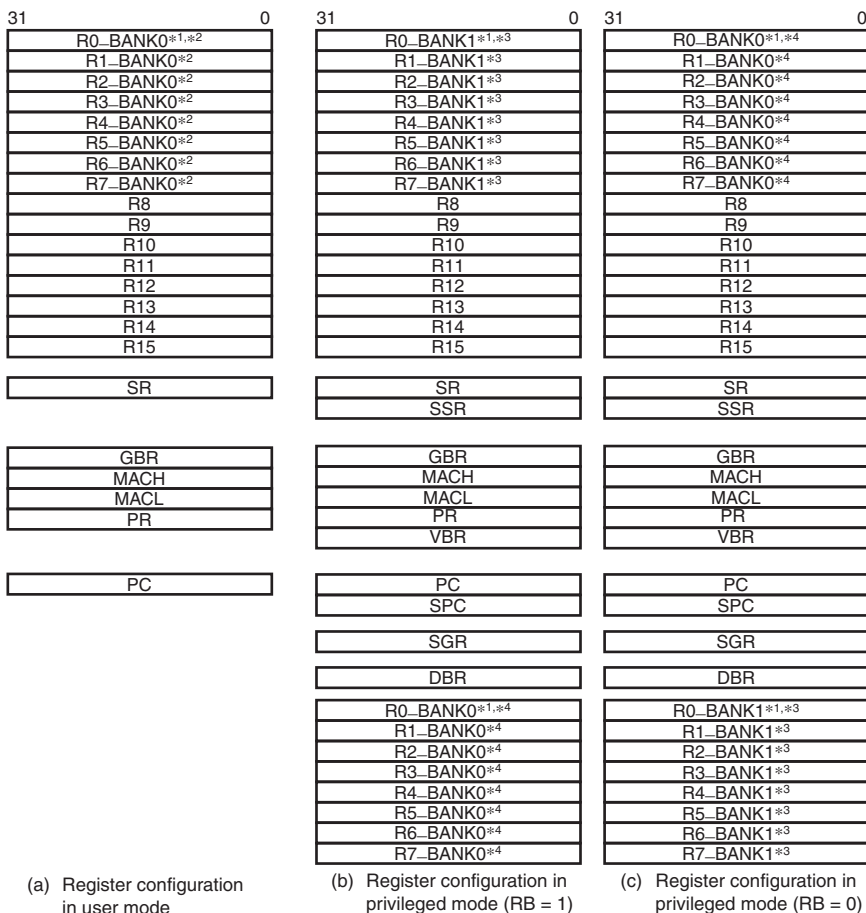
Table 2.1 Initial Register Values

Type	Registers	Initial Value*
General registers	R0_BANK0 to R7_BANK0, R0_BANK1 to R7_BANK1, R8 to R15	Undefined
Control registers	SR	MD bit = 1, RB bit = 1, BL bit = 1, FD bit = 0, IMASK = B'1111, reserved bits = 0, others = undefined
	GBR, SSR, SPC, SGR, DBR	Undefined
	VBR	H'00000000
System registers	MACH, MACL, PR	Undefined
	PC	H'A0000000
Floating-point registers	FR0 to FR15, XF0 to XF15, FPUL	Undefined
	FPSCR	H'00040001

Note: * Initialized by a power-on reset and manual reset.

The CPU register configuration in each processing mode is shown in figure 2.2.

User mode and privileged mode are switched by the processing mode bit (MD) in the status register.



- Notes:
1. R0 is used as the index register in indexed register-indirect addressing mode and indexed GBR indirect addressing mode.
 2. Banked registers
 3. Banked registers
Accessed as general registers when the RB bit is set to 1 in SR. Accessed only by LDC/STC instructions when the RB bit is cleared to 0.
 4. Banked registers
Accessed as general registers when the RB bit is cleared to 0 in SR. Accessed only by LDC/STC instructions when the RB bit is set to 1.

Figure 2.2 CPU Register Configuration in Each Processing Mode

2.2.2 General Registers

Figure 2.3 shows the relationship between the processing modes and general registers. This LSI has twenty-four 32-bit general registers (R0_BANK0 to R7_BANK0, R0_BANK1 to R7_BANK1, and R8 to R15). However, only 16 of these can be accessed as general registers R0 to R15 in one processing mode. This LSI has two processing modes, user mode and privileged mode.

- R0_BANK0 to R7_BANK0
Allocated to R0 to R7 in user mode (SR.MD = 0)
Allocated to R0 to R7 when SR.RB = 0 in privileged mode (SR.MD = 1).
- R0_BANK1 to R7_BANK1
Cannot be accessed in user mode.
Allocated to R0 to R7 when SR.RB = 1 in privileged mode.

SR.MD = 0 or (SR.MD = 1, SR.RB = 0)		(SR.MD = 1, SR.RB = 1)	
R0	R0_BANK0	R0-BANK0	
R1	R1_BANK0	R1-BANK0	
R2	R2_BANK0	R2-BANK0	
R3	R3_BANK0	R3-BANK0	
R4	R4_BANK0	R4-BANK0	
R5	R5_BANK0	R5-BANK0	
R6	R6_BANK0	R6-BANK0	
R7	R7_BANK0	R7-BANK0	
R0-BANK1	R0_BANK1		R0
R1-BANK1	R1_BANK1		R1
R2-BANK1	R2_BANK1		R2
R3-BANK1	R3_BANK1		R3
R4-BANK1	R4_BANK1		R4
R5-BANK1	R5_BANK1		R5
R6-BANK1	R6_BANK1		R6
R7-BANK1	R7_BANK1		R7
R8	R8		R8
R9	R9		R9
R10	R10		R10
R11	R11		R11
R12	R12		R12
R13	R13		R13
R14	R14		R14
R15	R15		R15

Figure 2.3 General Registers

Note on Programming: As the user's R0 to R7 are assigned to R0_BANK0 to R7_BANK0, and after an exception or interrupt R0 to R7 are assigned to R0_BANK1 to R7_BANK1, it is not necessary for the interrupt handler to save and restore the user's R0 to R7 (R0_BANK0 to R7_BANK0).

2.2.3 Floating-Point Registers

Figure 2.4 shows the floating-point register configuration. There are thirty-two 32-bit floating-point registers, FPR0_BANK0 to FPR15_BANK0, AND FPR0_BANK1 to FPR15_BANK1, comprising two banks. These registers are referenced as FR0 to FR15, DR0/2/4/6/8/10/12/14, FV0/4/8/12, XF0 to XF15, XD0/2/4/6/8/10/12/14, or XMTRX. Reference names of each register are defined depending on the state of the FR bit in FPSCR (see figure 2.4).

1. Floating-point registers, FPRn_BANKj (32 registers)
 FPR0_BANK0 to FPR15_BANK0
 FPR0_BANK1 to FPR15_BANK1
2. Single-precision floating-point registers, FRi (16 registers)
 When FPSCR.FR = 0, FR0 to FR15 are assigned to FPR0_BANK0 to FPR15_BANK0;
 when FPSCR.FR = 1, FR0 to FR15 are assigned to FPR0_BANK1 to FPR15_BANK1.
3. Double-precision floating-point registers or single-precision floating-point registers, DRi (8 registers): A DR register comprises two FR registers.
 DR0 = {FR0, FR1}, DR2 = {FR2, FR3}, DR4 = {FR4, FR5}, DR6 = {FR6, FR7},
 DR8 = {FR8, FR9}, DR10 = {FR10, FR11}, DR12 = {FR12, FR13}, DR14 = {FR14, FR15}
4. Single-precision floating-point vector registers, FVi (4 registers): An FV register comprises four FR registers.
 FV0 = {FR0, FR1, FR2, FR3}, FV4 = {FR4, FR5, FR6, FR7},
 FV8 = {FR8, FR9, FR10, FR11}, FV12 = {FR12, FR13, FR14, FR15}
5. Single-precision floating-point extended registers, XFi (16 registers)
 When FPSCR.FR = 0, XF0 to XF15 are assigned to FPR0_BANK1 to FPR15_BANK1;
 when FPSCR.FR = 1, XF0 to XF15 are assigned to FPR0_BANK0 to FPR15_BANK0.
6. Double-precision floating-point extended registers, XD_i (8 registers): An XD register comprises two XF registers.
 XD0 = {XF0, XF1}, XD2 = {XF2, XF3}, XD4 = {XF4, XF5}, XD6 = {XF6, XF7},
 XD8 = {XF8, XF9}, XD10 = {XF10, XF11}, XD12 = {XF12, XF13}, XD14 = {XF14, XF15}

7. Single-precision floating-point extended register matrix, XMTRX: XMTRX comprises all 16 XF registers.

$$\text{XMTRX} = \begin{bmatrix} \text{XF0} & \text{XF4} & \text{XF8} & \text{XF12} \\ \text{XF1} & \text{XF5} & \text{XF9} & \text{XF13} \\ \text{XF2} & \text{XF6} & \text{XF10} & \text{XF14} \\ \text{XF3} & \text{XF7} & \text{XF11} & \text{XF15} \end{bmatrix}$$

<u>FPSCR.FR = 0</u>			<u>FPSCR.FR = 1</u>				
FV0	DR0	FR0	FPR0_BANK0	XF0	XD0	XMTRX	
		FR1	FPR1_BANK0	XF1			
	DR2	FR2	FPR2_BANK0	XF2	XD2		
		FR3	FPR3_BANK0	XF3			
FV4	DR4	FR4	FPR4_BANK0	XF4	XD4		
		FR5	FPR5_BANK0	XF5			
	DR6	FR6	FPR6_BANK0	XF6	XD6		
		FR7	FPR7_BANK0	XF7			
FV8	DR8	FR8	FPR8_BANK0	XF8	XD8		
		FR9	FPR9_BANK0	XF9			
	DR10	FR10	FPR10_BANK0	XF10	XD10		
		FR11	FPR11_BANK0	XF11			
FV12	DR12	FR12	FPR12_BANK0	XF12	XD12		
		FR13	FPR13_BANK0	XF13			
	DR14	FR14	FPR14_BANK0	XF14	XD14		
		FR15	FPR15_BANK0	XF15			
XMTRX	XD0	XF0	FPR0_BANK1	FR0	DR0	FV0	
		XF1	FPR1_BANK1	FR1			
	XD2	XF2	FPR2_BANK1	FR2	DR2		
		XF3	FPR3_BANK1	FR3			
	XD4	XF4	XF5	FPR4_BANK1	FR4	DR4	FV4
			XF6	FPR5_BANK1	FR5		
		XD6	XF7	FPR6_BANK1	FR6	DR6	
			XF8	FPR7_BANK1	FR7		
	XD8	XF8	XF9	FPR8_BANK1	FR8	DR8	FV8
			XF10	FPR9_BANK1	FR9		
		XD10	XF11	FPR10_BANK1	FR10	DR10	
			XF12	FPR11_BANK1	FR11		
	XD12	XF12	XF13	FPR12_BANK1	FR12	DR12	FV12
			XF14	FPR13_BANK1	FR13		
		XD14	XF15	FPR14_BANK1	FR14	DR14	
				FPR15_BANK1	FR15		

Figure 2.4 Floating-Point Registers

2.2.4 Control Registers

(1) Status Register (SR)

Bit:	31	30	29	28	27	26	25	24	23	22	21	20	19	18	17	16
	—	MD	RB	BL	—	—	—	—	—	—	—	—	—	—	—	—
Initial value:	0	1	1	1	0	0	0	0	0	0	0	0	0	0	0	0
R/W:	R	R/W	R/W	R/W	R	R	R	R	R	R	R	R	R	R	R	R
Bit:	15	14	13	12	11	10	9	8	7	6	5	4	3	2	1	0
	FD	—	—	—	—	—	M	Q	IMASK			—	—	S	T	
Initial value:	0	0	0	0	0	0	0	0	1	1	1	1	0	0	0	0
R/W:	R/W	R	R	R	R	R	R/W	R/W	R/W	R/W	R/W	R/W	R	R	R/W	R/W

Bit	Bit Name	Initial Value	R/W	Description
31	—	0	R	Reserved For details on reading/writing this bit, see General Precautions on Handling of Product.
30	MD	1	R/W	Processing Mode Selects the processing mode. 0: User mode (Some instructions cannot be executed and some resources cannot be accessed.) 1: Privileged mode This bit is set to 1 by an exception or interrupt.
29	RB	1	R/W	Privileged Mode General Register Bank Specification Bit 0: R0_BANK0 to R7_BANK0 are accessed as general registers R0 to R7 and R0_BANK1 to R7_BANK1 can be accessed using LDC/STC instructions 1: R0_BANK1 to R7_BANK1 are accessed as general registers R0 to R7 and R0_BANK0–R7_BANK0 can be accessed using LDC/STC instructions This bit is set to 1 by an exception or interrupt.
28	BL	1	R/W	Exception/Interrupt Block Bit This bit is set to 1 by a reset, a general exception, or an interrupt. While this bit is set to 1, an interrupt request is masked. In this case, this processor enters the reset state when a general exception other than a user break occurs.

Bit	Bit Name	Initial Value	R/W	Description
27 to 16	—	All 0	R	Reserved For details on reading/writing this bit, see General Precautions on Handling of Product.
15	FD	0	R/W	FPU Disable Bit When this bit is set to 1 and an FPU instruction is not in a delay slot, a general FPU disable exception occurs. When this bit is set to 1 and an FPU instruction is in a delay slot, a slot FPU disable exception occurs. (FPU instructions: H'F*** instructions and LDS (.L)/STS(.L) instructions using FPUL/FPSCR)
14 to 10	—	All 0	R	Reserved For details on reading/writing this bit, see General Precautions on Handling of Product.
9	M	0	R/W	M Bit Used by the DIV0S, DIV0U, and DIV1 instructions.
8	Q	0	R/W	Q Bit Used by the DIV0S, DIV0U, and DIV1 instructions.
7 to 4	IMASK	1111	R/W	Interrupt Mask Level Bits An interrupt whose priority is equal to or less than the value of the IMASK bits is masked. It can be chosen by CPU operation mode register (CPUOPM) whether the level of IMASK is changed to accept an interrupt or not when an interrupt is occurred. For details, see appendix A, CPU Operation Mode Register (CPUOPM).
3, 2	—	All 0	R	Reserved For details on reading/writing this bit, see General Precautions on Handling of Product.
1	S	0	R/W	S Bit Used by the MAC instruction.
0	T	0	R/W	T Bit Indicates true/false condition, carry/borrow, or overflow/underflow. For details, see section 3, Instruction Set.

(2) Saved Status Register (SSR) (32 bits, Privileged Mode, Initial Value = Undefined)

The contents of SR are saved to SSR in the event of an exception or interrupt.

(3) Saved Program Counter (SPC) (32 bits, Privileged Mode, Initial Value = Undefined)

The address of an instruction at which an interrupt or exception occurs is saved to SPC.

(4) Global Base Register (GBR) (32 bits, Initial Value = Undefined)

GBR is referenced as the base address of addressing @(disp,GBR) and @(R0,GBR).

(5) Vector Base Register (VBR) (32 bits, Privileged Mode, Initial Value = H'00000000)

VBR is referenced as the branch destination base address in the event of an exception or interrupt. For details, see section 5, Exception Handling.

(6) Saved General Register 15 (SGR) (32 bits, Privileged Mode, Initial Value = Undefined)

The contents of R15 are saved to SGR in the event of an exception or interrupt.

(7) Debug Base Register (DBR) (32 bits, Privileged Mode, Initial Value = Undefined)

When the user break debugging function is enabled (CBCR.UBDE = 1), DBR is referenced as the branch destination address of the user break handler instead of VBR.

2.2.5 System Registers

(1) Multiply-and-Accumulate Registers (MACH and MACL) (32 bits, Initial Value = Undefined)

MACH and MACL are used for the added value in a MAC instruction, and to store the operation result of a MAC or MUL instruction.

(2) Procedure Register (PR) (32 bits, Initial Value = Undefined)

The return address is stored in PR in a subroutine call using a BSR, BSRF, or JSR instruction. PR is referenced by the subroutine return instruction (RTS).

(3) Program Counter (PC) (32 bits, Initial Value = H'A0000000)

PC indicates the address of the instruction currently being executed.

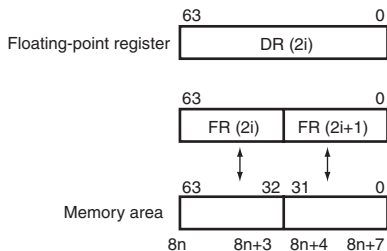
(4) Floating-Point Status/Control Register (FPSCR)

Bit:	31	30	29	28	27	26	25	24	23	22	21	20	19	18	17	16
	—	—	—	—	—	—	—	—	—	FR	SZ	PR	DN	Cause		
Initial value:	0	0	0	0	0	0	0	0	0	0	0	0	0	1	0	0
R/W:	R	R	R	R	R	R	R	R	R	R	R/W	R/W	R/W	R/W	R/W	R/W
Bit:	15	14	13	12	11	10	9	8	7	6	5	4	3	2	1	0
	Cause				Enable (EN)					Flag					RM	
Initial value:	0	0	0	0	0	0	0	0	0	0	0	0	0	0	0	1
R/W:	R/W	R/W	R/W	R/W	R/W	R/W	R/W	R/W	R/W	R/W	R/W	R/W	R/W	R/W	R/W	R/W

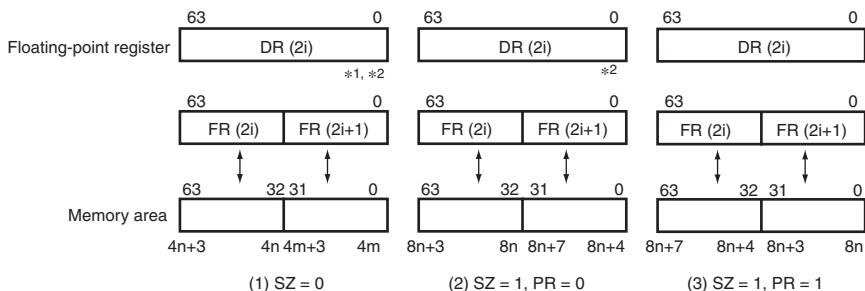
Bit	Bit Name	Initial Value	R/W	Description
31 to 22	—	All 0	R	Reserved For details on reading/writing this bit, see General Precautions on Handling of Product.
21	FR	0	R/W	Floating-Point Register Bank 0: FPR0_BANK0 to FPR15_BANK0 are assigned to FR0 to FR15 and FPR0_BANK1 to FPR15_BANK1 are assigned to XF0 to XF15 1: FPR0_BANK0 to FPR15_BANK0 are assigned to XF0 to XF15 and FPR0_BANK1 to FPR15_BANK1 are assigned to FR0 to FR15
20	SZ	0	R/W	Transfer Size Mode 0: Data size of FMOV instruction is 32-bits 1: Data size of FMOV instruction is a 32-bit register pair (64 bits) For relationship between the SZ bit, PR bit, and endian, see figure 2.5.
19	PR	0	R/W	Precision Mode 0: Floating-point instructions are executed as single-precision operations 1: Floating-point instructions are executed as double-precision operations (graphics support instructions are undefined) For relationship between the SZ bit, PR bit, and endian, see figure 2.5
18	DN	1	R/W	Denormalization Mode 0: Denormalized number is treated as such 1: Denormalized number is treated as zero

Bit	Bit Name	Initial Value	R/W	Description
17 to 12	Cause	000000	R/W	FPU Exception Cause Field
11 to 7	Enable (EN)	00000	R/W	FPU Exception Enable Field
6 to 2	Flag	00000	R/W	FPU Exception Flag Field
				Each time an FPU operation instruction is executed, the FPU exception cause field is cleared to 0. When an FPU exception occurs, the bits corresponding to FPU exception cause field and flag field are set to 1. The FPU exception flag field remains set to 1 until it is cleared to 0 by software. For bit allocations of each field, see table 2.2.
1, 0	RM	01	R/W	Rounding Mode These bits select the rounding mode. 00: Round to Nearest 01: Round to Zero 10: Reserved 11: Reserved

<Big endian>



<Little endian>



Notes: 1. In the case of SZ = 0 and PR = 0, DR register can not be used.

2. The bit-location of DR register is used for double precision format when PR = 1.
 (In the case of (2), it is used when PR is changed from 0 to 1.)

Figure 2.5 Relationship between SZ bit and Endian

Table 2.2 Bit Allocation for FPU Exception Handling

Field Name		FPU Error (E)	Invalid Operation (V)	Division by Zero (Z)	Overflow (O)	Underflow (U)	Inexact (I)
Cause	FPU exception cause field	Bit 17	Bit 16	Bit 15	Bit 14	Bit 13	Bit 12
Enable	FPU exception enable field	None	Bit 11	Bit 10	Bit 9	Bit 8	Bit 7
Flag	FPU exception flag field	None	Bit 6	Bit 5	Bit 4	Bit 3	Bit 2

(5) Floating-Point Communication Register (FPUL) (32 bits, Initial Value = Undefined)

Information is transferred between the FPU and CPU via FPUL.

2.3 Memory-Mapped Registers

Some control registers are mapped to the following memory areas. Each of the mapped registers has two addresses.

H'1C00 0000 to H'1FFF FFFF

H'FC00 0000 to H'FFFF FFFF

These two areas are used as follows.

- H'1C00 0000 to H'1FFF FFFF

This area must be accessed using the address translation function of the MMU.

Setting the page number of this area to the corresponding field of the TLB enables access to a memory-mapped register.

The operation of an access to this area without using the address translation function of the MMU is not guaranteed.

- H'FC00 0000 to H'FFFF FFFF

Access to area H'FC00 0000 to H'FFFF FFFF in user mode will cause an address error.

Memory-mapped registers can be referenced in user mode by means of access that involves address translation.

Note: Do not access addresses to which registers are not mapped in either area. The operation of an access to an address with no register mapped is undefined. Also, memory-mapped registers must be accessed using a fixed data size. The operation of an access using an invalid data size is undefined.

2.4 Data Formats in Registers

Register operands are always longwords (32 bits). When a memory operand is only a byte (8 bits) or a word (16 bits), it is sign-extended into a longword when loaded into a register.

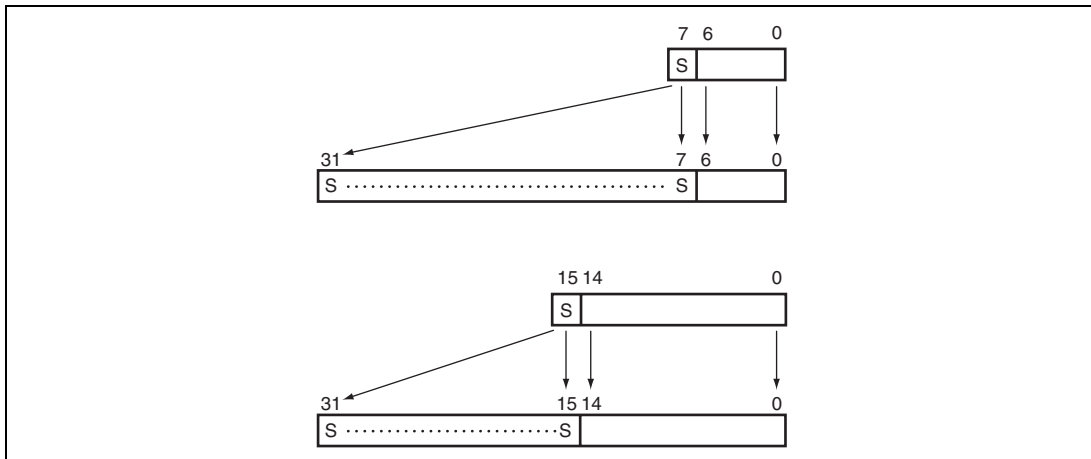


Figure 2.6 Formats of Byte Data and Word Data in Register

2.5 Data Formats in Memory

Memory data formats are classified into bytes, words, and longwords. Memory can be accessed in an 8-bit byte, 16-bit word, or 32-bit longword form. A memory operand less than 32 bits in length is sign-extended before being loaded into a register.

A word operand must be accessed starting from a word boundary (even address of a 2-byte unit: address $2n$), and a longword operand starting from a longword boundary (even address of a 4-byte unit: address $4n$). An address error will result if this rule is not observed. A byte operand can be accessed from any address.

Big endian or little endian byte order can be selected for the data format. The endian should be set with the external pin after a power-on reset. The endian cannot be changed dynamically. Bit positions are numbered left to right from most-significant to least-significant. Thus, in a 32-bit longword, the leftmost bit, bit 31, is the most significant bit and the rightmost bit, bit 0, is the least significant bit.

The data format in memory is shown in figure 2.7.

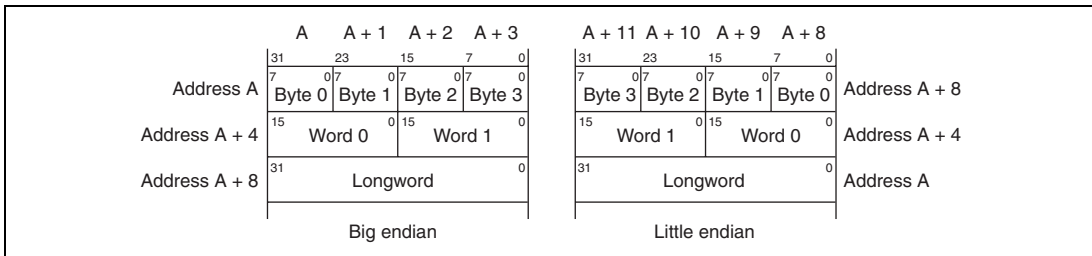


Figure 2.7 Data Formats in Memory

For the 64-bit data format, see figure 2.5.

2.6 Processing States

This LSI has major three processing states: the reset state, instruction execution state, and power-down state.

(1) Reset State

In this state the CPU is reset. The reset state is divided into the power-on reset state and the manual reset.

In the power-on reset state, the internal state of the CPU and the on-chip peripheral module registers are initialized. In the manual reset state, the internal state of the CPU and some registers of on-chip peripheral modules are initialized. For details, see register descriptions for each section.

(2) Instruction Execution State

In this state, the CPU executes program instructions in sequence. The Instruction execution state has the normal program execution state and the exception handling state.

(3) Power-Down State

In a power-down state, CPU halts operation and power consumption is reduced. The power-down state is entered by executing a SLEEP instruction. There are two modes in the power-down state: sleep mode and standby mode. For details, see section 17, Power-Down mode.

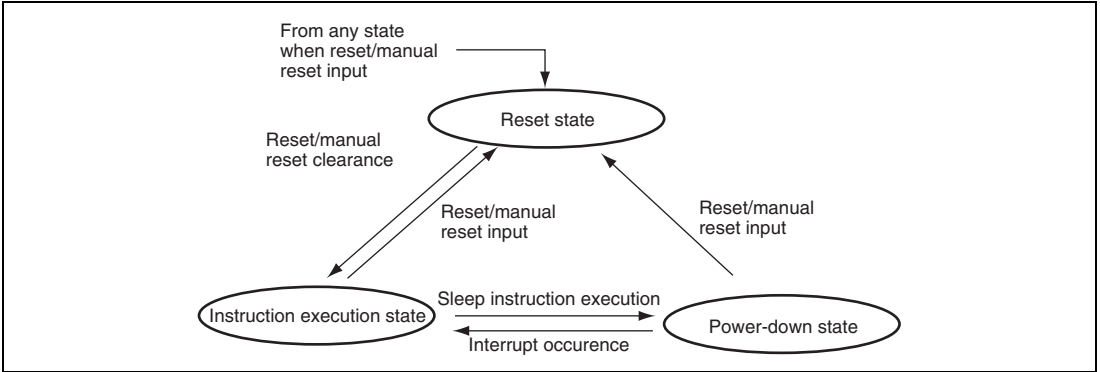


Figure 2.8 Processing State Transitions

2.7 Usage Notes

2.7.1 Notes on Self-Modifying Code

To accelerate the processing speed, the instruction prefetching capability of this LSI has been significantly enhanced from that of the SH-4. Therefore, in the case when a code in memory is rewritten and attempted to be executed immediately, there is increased possibility that the code before being modified, which has already been prefetched, is executed.

To ensure execution of the modified code, one of the following sequence of instructions should be executed between the code rewriting instruction and execution of the modified code.

(1) When the Codes to be Modified are in Non-Cacheable Area

```
SYNCO
ICBI @Rn
```

The target for the ICBI instruction can be any address within the range where no address error exception occurs.

(2) When the Codes to be Modified are in Cacheable Area (Write-Through)

```
SYNCO
ICBI @Rn
```

All instruction cache areas corresponding to the modified codes should be invalidated by the ICBI instruction. The ICBI instruction should be issued to each cache line. One cache line is 32 bytes.

(3) When the Codes to be Modified are in Cacheable Area (Copy-Back)

```
OCBP @Rm or OCBWB @Rm
SYNCO
ICBI @Rn
```

All operand cache areas corresponding to the modified codes should be written back to the main memory by the OCBP or OCBWB instruction. Then all instruction cache areas corresponding to the modified codes should be invalidated by the ICBI instruction. The OCBP, OCBWB, and ICBI instruction should be issued to each cache line. One cache line is 32 bytes.

Note: Self-modifying code is the processing which executes instructions while dynamically rewriting the codes in memory.

Section 3 Instruction Set

This LSI's instruction set is implemented with 16-bit fixed-length instructions. This LSI can use byte (8-bit), word (16-bit), longword (32-bit), and quadword (64-bit) data sizes for memory access. Single-precision floating-point data (32 bits) can be moved to and from memory using longword or quadword size. Double-precision floating-point data (64 bits) can be moved to and from memory using longword size. When this LSI moves byte-size or word-size data from memory to a register, the data is sign-extended.

3.1 Execution Environment

(1) PC

At the start of instruction execution, the PC indicates the address of the instruction itself.

(2) Load-Store Architecture

This LSI has a load-store architecture in which operations are basically executed using registers. Except for bit-manipulation operations such as logical AND that are executed directly in memory, operands in an operation that requires memory access are loaded into registers and the operation is executed between the registers.

(3) Delayed Branches

Except for the two branch instructions BF and BT, this LSI's branch instructions and RTE are delayed branches. In a delayed branch, the instruction following the branch is executed before the branch destination instruction.

(4) Delay Slot

This execution slot following a delayed branch is called a delay slot. For example, the BRA execution sequence is as follows:

Table 3.1 Execution Order of Delayed Branch Instructions

Instructions			Execution Order
BRA	TARGET	(Delayed branch instruction)	BRA
ADD		(Delay slot)	↓
:			ADD
:			↓
TARGET	target-inst	(Branch destination instruction)	target-inst

A slot illegal instruction exception may occur when a specific instruction is executed in a delay slot. For details, see section 5, Exception Handling. The instruction following BF/S or BT/S for which the branch is not taken is also a delay slot instruction.

(5) T Bit

The T bit in SR is used to show the result of a compare operation, and is referenced by a conditional branch instruction. An example of the use of a conditional branch instruction is shown below.

```
ADD    #1, R0    ; T bit is not changed by ADD operation
CMP/EQ R1, R0   ; If R0 = R1, T bit is set to 1
BT     TARGET   ; Branches to TARGET if T bit = 1 (R0 = R1)
```

In an RTE delay slot, the SR bits are referenced as follows. In instruction access, the MD bit is used before modification, and in data access, the MD bit is accessed after modification. The other bits—S, T, M, Q, FD, BL, and RB—after modification are used for delay slot instruction execution. The STC and STC.L SR instructions access all SR bits after modification.

(6) Constant Values

An 8-bit constant value can be specified by the instruction code and an immediate value. 16-bit and 32-bit constant values can be defined as literal constant values in memory, and can be referenced by a PC-relative load instruction.


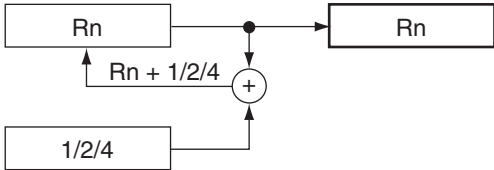
```
MOV.W  @(disp, PC), Rn
MOV.L  @(disp, PC), Rn
```

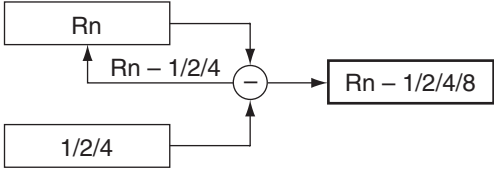
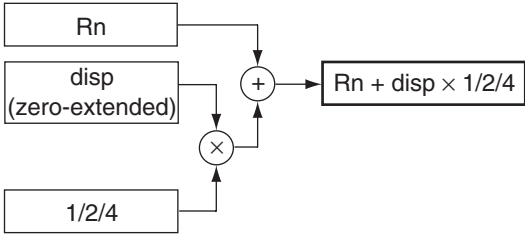
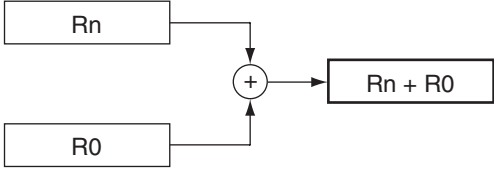
There are no PC-relative load instructions for floating-point operations. However, it is possible to set 0.0 or 1.0 by using the FLDI0 or FLDI1 instruction on a single-precision floating-point register.

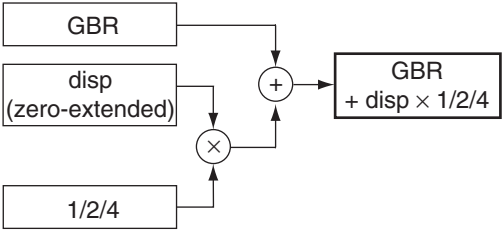
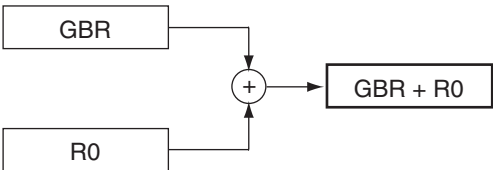
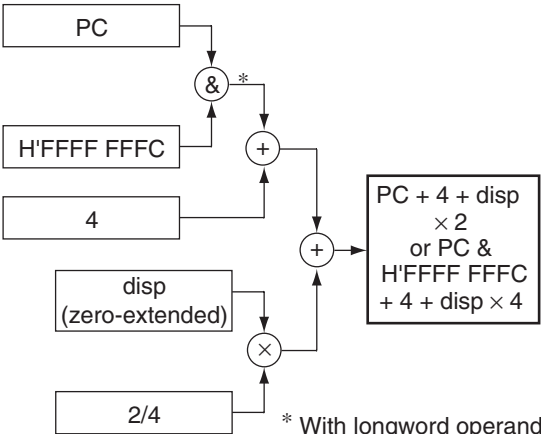
3.2 Addressing Modes

Addressing modes and effective address calculation methods are shown in table 3.2. When a location in virtual memory space is accessed (AT in MMUCR = 1), the effective address is translated into a physical memory address. If multiple virtual memory space systems are selected (SV in MMUCR = 0), the least significant bit of PTEH is also referenced as the access ASID. For details, see section 7, Memory Management Unit (MMU).

Table 3.2 Addressing Modes and Effective Addresses

Addressing Mode	Instruction Format	Effective Address Calculation Method	Calculation Formula
Register direct	Rn	Effective address is register Rn. (Operand is register Rn contents.)	—
Register indirect	@Rn	Effective address is register Rn contents. 	Rn → EA (EA: effective address)
Register indirect with post-increment	@Rn+	Effective address is register Rn contents. A constant is added to Rn after instruction execution: 1 for a byte operand, 2 for a word operand, 4 for a longword operand, 8 for a quadword operand. 	Rn → EA After instruction execution Byte: Rn + 1 → Rn Word: Rn + 2 → Rn Longword: Rn + 4 → Rn Quadword: Rn + 8 → Rn

Addressing Mode	Instruction Format	Effective Address Calculation Method	Calculation Formula
Register indirect with pre-decrement	@-Rn	<p>Effective address is register Rn contents, decremented by a constant beforehand: 1 for a byte operand, 2 for a word operand, 4 for a longword operand, 8 for a quadword operand.</p> 	<p>Byte: Rn - 1 → Rn</p> <p>Word: Rn - 2 → Rn</p> <p>Longword: Rn - 4 → Rn</p> <p>Quadword: Rn - 8 → Rn</p> <p>Rn → EA (Instruction executed with Rn after calculation)</p>
Register indirect with displacement	@(disp:4, Rn)	<p>Effective address is register Rn contents with 4-bit displacement disp added. After disp is zero-extended, it is multiplied by 1 (byte), 2 (word), or 4 (longword), according to the operand size.</p> 	<p>Byte: Rn + disp → EA</p> <p>Word: Rn + disp × 2 → EA</p> <p>Longword: Rn + disp × 4 → EA</p>
Indexed register indirect	@(R0, Rn)	<p>Effective address is sum of register Rn and R0 contents.</p> 	Rn + R0 → EA

Addressing Mode	Instruction Format	Effective Address Calculation Method	Calculation Formula
GBR indirect with displacement	@(disp:8, GBR)	<p>Effective address is register GBR contents with 8-bit displacement disp added. After disp is zero-extended, it is multiplied by 1 (byte), 2 (word), or 4 (longword), according to the operand size.</p> 	<p>Byte: $GBR + disp \rightarrow EA$ Word: $GBR + disp \times 2 \rightarrow EA$ Longword: $GBR + disp \times 4 \rightarrow EA$</p>
Indexed GBR indirect	@(R0, GBR)	<p>Effective address is sum of register GBR and R0 contents.</p> 	$GBR + R0 \rightarrow EA$
PC-relative with displacement	@(disp:8, PC)	<p>Effective address is $PC + 4$ with 8-bit displacement disp added. After disp is zero-extended, it is multiplied by 2 (word), or 4 (longword), according to the operand size. With a longword operand, the lower 2 bits of PC are masked.</p>  <p>* With longword operand</p>	<p>Word: $PC + 4 + disp \times 2 \rightarrow EA$ Longword: $PC \& H'FFFF FFFC + 4 + disp \times 4 \rightarrow EA$</p>

Addressing Mode	Instruction Format	Effective Address Calculation Method	Calculation Formula
PC-relative	disp:8	Effective address is PC + 4 with 8-bit displacement disp added after being sign-extended and multiplied by 2.	$PC + 4 + \text{disp} \times 2 \rightarrow \text{Branch-Target}$
<pre> graph TD PC[PC] --> A((+)) 4[4] --> A A --> B((+)) disp["disp (sign-extended)"] --> C((x)) 2[2] --> C C --> B B --> Result["PC + 4 + disp x 2"] </pre>			
PC-relative	disp:12	Effective address is PC + 4 with 12-bit displacement disp added after being sign-extended and multiplied by 2.	$PC + 4 + \text{disp} \times 2 \rightarrow \text{Branch-Target}$
<pre> graph TD PC[PC] --> A((+)) 4[4] --> A A --> B((+)) disp["disp (sign-extended)"] --> C((x)) 2[2] --> C C --> B B --> Result["PC + 4 + disp x 2"] </pre>			
Rn		Effective address is sum of PC + 4 and Rn.	$PC + 4 + Rn \rightarrow \text{Branch-Target}$
<pre> graph TD PC[PC] --> A((+)) 4[4] --> A A --> B((+)) Rn[Rn] --> B B --> Result["PC + 4 + Rn"] </pre>			

Addressing Mode	Instruction Format	Effective Address Calculation Method	Calculation Formula
Immediate	#imm:8	8-bit immediate data imm of TST, AND, OR, or XOR instruction is zero-extended.	—
	#imm:8	8-bit immediate data imm of MOV, ADD, or CMP/EQ instruction is sign-extended.	—
	#imm:8	8-bit immediate data imm of TRAPA instruction is zero-extended and multiplied by 4.	—

Note: For the addressing modes below that use a displacement (disp), the assembler descriptions in this manual show the value before scaling ($\times 1$, $\times 2$, or $\times 4$) is performed according to the operand size. This is done to clarify the operation of the LSI. Refer to the relevant assembler notation rules for the actual assembler descriptions.

@ (disp:4, Rn) ; Register indirect with displacement

@ (disp:8, GBR) ; GBR indirect with displacement

@ (disp:8, PC) ; PC-relative with displacement

disp:8, disp:12 ; PC-relative

3.3 Instruction Set

Table 3.3 shows the notation used in the SH instruction lists shown in tables 3.4 to 3.13.

Table 3.3 Notation Used in Instruction List

Item	Format	Description
Instruction mnemonic	OP.Sz SRC, DEST	OP: Operation code Sz: Size SRC: Source operand DEST: Source and/or destination operand Rm: Source register Rn: Destination register imm: Immediate data disp: Displacement
Operation notation		→, ← Transfer direction (xx) Memory operand M/Q/T SR flag bits & Logical AND of individual bits Logical OR of individual bits ^ Logical exclusive-OR of individual bits ~ Logical NOT of individual bits <<n, >>n n-bit shift
Instruction code	MSB ↔ LSB	mmmm: Register number (Rm, FRm) nnnn: Register number (Rn, FRn) 0000: R0, FR0 0001: R1, FR1 : 1111: R15, FR15 mmm: Register number (DRm, XDm, Rm_BANK) nnn: Register number (DRn, XDn, Rn_BANK) 000: DR0, XD0, R0_BANK 001: DR2, XD2, R1_BANK : 111: DR14, XD14, R7_BANK mm: Register number (FVm) nn: Register number (FVn) 00: FV0 01: FV4 10: FV8 11: FV12 iii: Immediate data dddd: Displacement

Item	Format	Description
Privileged mode		"Privileged" means the instruction can only be executed in privileged mode.
T bit	Value of T bit after instruction execution	—: No change
New	—	"New" means the instruction which has been newly added in the SH-4A with H'20-valued VER bits in the processor version register (PVR).

Note: Scaling ($\times 1$, $\times 2$, $\times 4$, or $\times 8$) is executed according to the size of the instruction operand.

Table 3.4 Fixed-Point Transfer Instructions

Instruction	Operation	Instruction Code	Privileged	T Bit	New
MOV #imm,Rn	imm \rightarrow sign extension \rightarrow Rn	1110nnnniiiiiii	—	—	—
MOV.W @(disp*,PC), Rn	(disp $\times 2 + PC + 4$) \rightarrow sign extension \rightarrow Rn	1001nnnnddddddd	—	—	—
MOV.L @(disp*,PC), Rn	(disp $\times 4 + PC + H'FFFF FFFC + 4$) \rightarrow Rn	1101nnnnddddddd	—	—	—
MOV Rm,Rn	Rm \rightarrow Rn	0110nnnnmmmm0011	—	—	—
MOV.B Rm,@Rn	Rm \rightarrow (Rn)	0010nnnnmmmm0000	—	—	—
MOV.W Rm,@Rn	Rm \rightarrow (Rn)	0010nnnnmmmm0001	—	—	—
MOV.L Rm,@Rn	Rm \rightarrow (Rn)	0010nnnnmmmm0010	—	—	—
MOV.B @Rm,Rn	(Rm) \rightarrow sign extension \rightarrow Rn	0110nnnnmmmm0000	—	—	—
MOV.W @Rm,Rn	(Rm) \rightarrow sign extension \rightarrow Rn	0110nnnnmmmm0001	—	—	—
MOV.L @Rm,Rn	(Rm) \rightarrow Rn	0110nnnnmmmm0010	—	—	—
MOV.B Rm,@-Rn	Rn-1 \rightarrow Rn, Rm \rightarrow (Rn)	0010nnnnmmmm0100	—	—	—
MOV.W Rm,@-Rn	Rn-2 \rightarrow Rn, Rm \rightarrow (Rn)	0010nnnnmmmm0101	—	—	—
MOV.L Rm,@-Rn	Rn-4 \rightarrow Rn, Rm \rightarrow (Rn)	0010nnnnmmmm0110	—	—	—
MOV.B @Rm+,Rn	(Rm) \rightarrow sign extension \rightarrow Rn, Rm + 1 \rightarrow Rm	0110nnnnmmmm0100	—	—	—
MOV.W @Rm+,Rn	(Rm) \rightarrow sign extension \rightarrow Rn, Rm + 2 \rightarrow Rm	0110nnnnmmmm0101	—	—	—
MOV.L @Rm+,Rn	(Rm) \rightarrow Rn, Rm + 4 \rightarrow Rm	0110nnnnmmmm0110	—	—	—
MOV.B R0,@(disp*,Rn)	R0 \rightarrow (disp + Rn)	10000000nnnndddd	—	—	—
MOV.W R0,@(disp*,Rn)	R0 \rightarrow (disp $\times 2 + Rn$)	10000001nnnndddd	—	—	—
MOV.L Rm,@(disp*,Rn)	Rm \rightarrow (disp $\times 4 + Rn$)	0001nnnnmmmmdddd	—	—	—

3. Instruction Set

Instruction	Operation	Instruction Code	Privileged	T Bit	New
MOV.B	@(disp*,Rm),R0 (disp + Rm) → sign extension → R0	10000100mmmmddddd	—	—	—
MOV.W	@(disp*,Rm),R0 (disp × 2 + Rm) → sign extension → R0	10000101mmmmddddd	—	—	—
MOV.L	@(disp*,Rm),Rn (disp × 4 + Rm) → Rn	0101nnnnmmmmddddd	—	—	—
MOV.B	Rm,@(R0,Rn) Rm → (R0 + Rn)	0000nnnnmmmm0100	—	—	—
MOV.W	Rm,@(R0,Rn) Rm → (R0 + Rn)	0000nnnnmmmm0101	—	—	—
MOV.L	Rm,@(R0,Rn) Rm → (R0 + Rn)	0000nnnnmmmm0110	—	—	—
MOV.B	@(R0,Rm),Rn (R0 + Rm) → sign extension → Rn	0000nnnnmmmm1100	—	—	—
MOV.W	@(R0,Rm),Rn (R0 + Rm) → sign extension → Rn	0000nnnnmmmm1101	—	—	—
MOV.L	@(R0,Rm),Rn (R0 + Rm) → Rn	0000nnnnmmmm1110	—	—	—
MOV.B	R0,@(disp*,GBR) R0 → (disp + GBR)	11000000ddddddddd	—	—	—
MOV.W	R0,@(disp*,GBR) R0 → (disp × 2 + GBR)	11000001ddddddddd	—	—	—
MOV.L	R0,@(disp*,GBR) R0 → (disp × 4 + GBR)	11000010ddddddddd	—	—	—
MOV.B	@(disp*,GBR),R0 (disp + GBR) → sign extension → R0	11000100ddddddddd	—	—	—
MOV.W	@(disp*,GBR),R0 (disp × 2 + GBR) → sign extension → R0	11000101ddddddddd	—	—	—
MOV.L	@(disp*,GBR),R0 (disp × 4 + GBR) → R0	11000110ddddddddd	—	—	—
MOVA	@(disp*,PC),R0 disp × 4 + PC & H'FFFF FFFC + 4 → R0	11000111ddddddddd	—	—	—
MOVCO.L	R0,@Rn LDST → T If (T == 1) R0 → (Rn) 0 → LDST	0000nnnn01110011	—	LDST	New
MOVLI.L	@Rm,R0 1 → LDST (Rm) → R0 When interrupt/exception occurred 0 → LDST	0000mmmm01100011	—	—	New
MOVUA.L	@Rm,R0 (Rm) → R0 Load non-boundary alignment data	0100mmmm10101001	—	—	New
MOVUA.L	@Rm+,R0 (Rm) → R0, Rm + 4 → Rm Load non-boundary alignment data	0100mmmm11101001	—	—	New

Instruction		Operation	Instruction Code	Privileged	T Bit	New
MOVT	Rn	T → Rn	0000nnnn00101001	—	—	—
SWAP.B	Rm,Rn	Rm → swap lower 2 bytes → Rn	0110nnnnmmmm1000	—	—	—
SWAP.W	Rm,Rn	Rm → swap upper/lower words → Rn	0110nnnnmmmm1001	—	—	—
XTRCT	Rm,Rn	Rm:Rn middle 32 bits → Rn	0010nnnnmmmm1101	—	—	—

Note: * The assembler of Renesas uses the value after scaling ($\times 1$, $\times 2$, or $\times 4$) as the displacement (disp).

Table 3.5 Arithmetic Operation Instructions

Instruction		Operation	Instruction Code	Privileged	T Bit	New
ADD	Rm,Rn	Rn + Rm → Rn	0011nnnnmmmm1100	—	—	—
ADD	#imm,Rn	Rn + imm → Rn	0111nnnniiiiiii	—	—	—
ADDC	Rm,Rn	Rn + Rm + T → Rn, carry → T	0011nnnnmmmm1110	—	Carry	—
ADDV	Rm,Rn	Rn + Rm → Rn, overflow → T	0011nnnnmmmm1111	—	Overflow	—
CMP/EQ	#imm,R0	When R0 = imm, 1 → T Otherwise, 0 → T	10001000iiiiiii	—	Comparison result	—
CMP/EQ	Rm,Rn	When Rn = Rm, 1 → T Otherwise, 0 → T	0011nnnnmmmm0000	—	Comparison result	—
CMP/HS	Rm,Rn	When Rn ≥ Rm (unsigned), 1 → T Otherwise, 0 → T	0011nnnnmmmm0010	—	Comparison result	—
CMP/GE	Rm,Rn	When Rn ≥ Rm (signed), 1 → T Otherwise, 0 → T	0011nnnnmmmm0011	—	Comparison result	—
CMP/HI	Rm,Rn	When Rn > Rm (unsigned), 1 → T Otherwise, 0 → T	0011nnnnmmmm0110	—	Comparison result	—
CMP/GT	Rm,Rn	When Rn > Rm (signed), 1 → T Otherwise, 0 → T	0011nnnnmmmm0111	—	Comparison result	—
CMP/PZ	Rn	When Rn ≥ 0, 1 → T Otherwise, 0 → T	0100nnnn00010001	—	Comparison result	—
CMP/PL	Rn	When Rn > 0, 1 → T Otherwise, 0 → T	0100nnnn00010101	—	Comparison result	—

3. Instruction Set

Instruction	Operation	Instruction Code	Privileged	T Bit	New
CMP/STR	Rm,Rn When any bytes are equal, 1 → T Otherwise, 0 → T	0010nnnnmmmm1100	—	Comparison result	—
DIV1	Rm,Rn 1-step division (Rn ÷ Rm)	0011nnnnmmmm0100	—	Calculation result	—
DIV0S	Rm,Rn MSB of Rn → Q, MSB of Rm → M, M^Q → T	0010nnnnmmmm0111	—	Calculation result	—
DIV0U	0 → M/Q/T	0000000000011001	—	0	—
DMULS.L	Rm,Rn Signed, Rn × Rm → MAC, 32 × 32 → 64 bits	0011nnnnmmmm1101	—	—	—
DMULU.L	Rm,Rn Unsigned, Rn × Rm → MAC, 32 × 32 → 64 bits	0011nnnnmmmm0101	—	—	—
DT	Rn Rn – 1 → Rn; when Rn = 0, 1 → T When Rn ≠ 0, 0 → T	0100nnnn00010000	—	Comparison result	—
EXTS.B	Rm,Rn Rm sign-extended from byte → Rn	0110nnnnmmmm1110	—	—	—
EXTS.W	Rm,Rn Rm sign-extended from word → Rn	0110nnnnmmmm1111	—	—	—
EXTU.B	Rm,Rn Rm zero-extended from byte → Rn	0110nnnnmmmm1100	—	—	—
EXTU.W	Rm,Rn Rm zero-extended from word → Rn	0110nnnnmmmm1101	—	—	—
MAC.L	@Rm+,@Rn+ Signed, (Rn) × (Rm) + MAC → MAC Rn + 4 → Rn, Rm + 4 → Rm 32 × 32 + 64 → 64 bits	0000nnnnmmmm1111	—	—	—
MAC.W	@Rm+,@Rn+ Signed, (Rn) × (Rm) + MAC → MAC Rn + 2 → Rn, Rm + 2 → Rm 16 × 16 + 64 → 64 bits	0100nnnnmmmm1111	—	—	—
MUL.L	Rm,Rn Rn × Rm → MACL 32 × 32 → 32 bits	0000nnnnmmmm0111	—	—	—
MULS.W	Rm,Rn Signed, Rn × Rm → MACL 16 × 16 → 32 bits	0010nnnnmmmm1111	—	—	—

Instruction	Operation	Instruction Code	Privileged	T Bit	New
MULU.W Rm,Rn	Unsigned, $Rn \times Rm \rightarrow MACL$ $16 \times 16 \rightarrow 32$ bits	0010nnnnmmmm1110	—	—	—
NEG Rm,Rn	$0 - Rm \rightarrow Rn$	0110nnnnmmmm1011	—	—	—
NEGC Rm,Rn	$0 - Rm - T \rightarrow Rn$, borrow $\rightarrow T$	0110nnnnmmmm1010	—	Borrow	—
SUB Rm,Rn	$Rn - Rm \rightarrow Rn$	0011nnnnmmmm1000	—	—	—
SUBC Rm,Rn	$Rn - Rm - T \rightarrow Rn$, borrow $\rightarrow T$	0011nnnnmmmm1010	—	Borrow	—
SUBV Rm,Rn	$Rn - Rm \rightarrow Rn$, underflow $\rightarrow T$	0011nnnnmmmm1011	—	Underflow	—

Table 3.6 Logic Operation Instructions

Instruction	Operation	Instruction Code	Privileged	T Bit	New
AND Rm,Rn	$Rn \& Rm \rightarrow Rn$	0010nnnnmmmm1001	—	—	—
AND #imm,R0	$R0 \& imm \rightarrow R0$	11001001iiiiiiii	—	—	—
AND.B #imm, @(R0,GBR)	$(R0 + GBR) \& imm$ $\rightarrow (R0 + GBR)$	11001101iiiiiiii	—	—	—
NOT Rm,Rn	$\sim Rm \rightarrow Rn$	0110nnnnmmmm0111	—	—	—
OR Rm,Rn	$Rn Rm \rightarrow Rn$	0010nnnnmmmm1011	—	—	—
OR #imm,R0	$R0 imm \rightarrow R0$	11001011iiiiiiii	—	—	—
OR.B #imm, @(R0,GBR)	$(R0 + GBR) imm$ $\rightarrow (R0 + GBR)$	11001111iiiiiiii	—	—	—
TAS.B @Rn	When $(Rn) = 0$, $1 \rightarrow T$ Otherwise, $0 \rightarrow T$ In both cases, $1 \rightarrow$ MSB of (Rn)	0100nnnn00011011	—	Test result	—
TST Rm,Rn	$Rn \& Rm$; when result = 0, $1 \rightarrow T$ Otherwise, $0 \rightarrow T$	0010nnnnmmmm1000	—	Test result	—
TST #imm,R0	$R0 \& imm$; when result = 0, $1 \rightarrow T$ Otherwise, $0 \rightarrow T$	11001000iiiiiiii	—	Test result	—
TST.B #imm, @(R0,GBR)	$(R0 + GBR) \& imm$; when result = 0, $1 \rightarrow T$ Otherwise, $0 \rightarrow T$	11001100iiiiiiii	—	Test result	—
XOR Rm,Rn	$Rn \wedge Rm \rightarrow Rn$	0010nnnnmmmm1010	—	—	—

Instruction	Operation	Instruction Code	Privileged	T Bit	New
XOR #imm,R0	$R0 \wedge \text{imm} \rightarrow R0$	11001010iiiiiiii	—	—	—
XOR.B #imm, @(R0,GBR)	$(R0 + \text{GBR}) \wedge \text{imm} \rightarrow (R0 + \text{GBR})$	11001110iiiiiiii	—	—	—

Table 3.7 Shift Instructions

Instruction	Operation	Instruction Code	Privileged	T Bit	New
ROTL Rn	$T \leftarrow Rn \leftarrow \text{MSB}$	0100nnnn00000100	—	MSB	—
ROTR Rn	$\text{LSB} \rightarrow Rn \rightarrow T$	0100nnnn00000101	—	LSB	—
ROTCL Rn	$T \leftarrow Rn \leftarrow T$	0100nnnn00100100	—	MSB	—
ROTCR Rn	$T \rightarrow Rn \rightarrow T$	0100nnnn00100101	—	LSB	—
SHAD Rm,Rn	When $Rm \geq 0$, $Rn \ll Rm \rightarrow Rn$ When $Rm < 0$, $Rn \gg Rm \rightarrow [MSB \rightarrow Rn]$	0100nnnnmmmm1100	—	—	—
SHAL Rn	$T \leftarrow Rn \leftarrow 0$	0100nnnn00100000	—	MSB	—
SHAR Rn	$\text{MSB} \rightarrow Rn \rightarrow T$	0100nnnn00100001	—	LSB	—
SHLD Rm,Rn	When $Rm \geq 0$, $Rn \ll Rm \rightarrow Rn$ When $Rm < 0$, $Rn \gg Rm \rightarrow [0 \rightarrow Rn]$	0100nnnnmmmm1101	—	—	—
SHLL Rn	$T \leftarrow Rn \leftarrow 0$	0100nnnn00000000	—	MSB	—
SHLR Rn	$0 \rightarrow Rn \rightarrow T$	0100nnnn00000001	—	LSB	—
SHLL2 Rn	$Rn \ll 2 \rightarrow Rn$	0100nnnn00001000	—	—	—
SHLR2 Rn	$Rn \gg 2 \rightarrow Rn$	0100nnnn00001001	—	—	—
SHLL8 Rn	$Rn \ll 8 \rightarrow Rn$	0100nnnn00011000	—	—	—
SHLR8 Rn	$Rn \gg 8 \rightarrow Rn$	0100nnnn00011001	—	—	—
SHLL16 Rn	$Rn \ll 16 \rightarrow Rn$	0100nnnn00101000	—	—	—
SHLR16 Rn	$Rn \gg 16 \rightarrow Rn$	0100nnnn00101001	—	—	—

Table 3.8 Branch Instructions

Instruction		Operation	Instruction Code	Privileged	T Bit	New
BF	label	When T = 0, $\text{disp} \times 2 + \text{PC} + 4 \rightarrow \text{PC}$ When T = 1, nop	10001011dddddddd	—	—	—
BF/S	label	Delayed branch; when T = 0, $\text{disp} \times 2 + \text{PC} + 4 \rightarrow \text{PC}$ When T = 1, nop	10001111dddddddd	—	—	—
BT	label	When T = 1, $\text{disp} \times 2 + \text{PC} + 4 \rightarrow \text{PC}$ When T = 0, nop	10001001dddddddd	—	—	—
BT/S	label	Delayed branch; when T = 1, $\text{disp} \times 2 + \text{PC} + 4 \rightarrow \text{PC}$ When T = 0, nop	10001101dddddddd	—	—	—
BRA	label	Delayed branch, $\text{disp} \times 2 + \text{PC} + 4 \rightarrow \text{PC}$	1010dddddddddddd	—	—	—
BRAF	Rn	Delayed branch, $\text{Rn} + \text{PC} + 4 \rightarrow \text{PC}$	0000nnnn00100011	—	—	—
BSR	label	Delayed branch, $\text{PC} + 4 \rightarrow \text{PR}$, $\text{disp} \times 2 + \text{PC} + 4 \rightarrow \text{PC}$	1011dddddddddddd	—	—	—
BSRF	Rn	Delayed branch, $\text{PC} + 4 \rightarrow \text{PR}$, $\text{Rn} + \text{PC} + 4 \rightarrow \text{PC}$	0000nnnn00000011	—	—	—
JMP	@Rn	Delayed branch, $\text{Rn} \rightarrow \text{PC}$	0100nnnn00101011	—	—	—
JSR	@Rn	Delayed branch, $\text{PC} + 4 \rightarrow \text{PR}$, $\text{Rn} \rightarrow \text{PC}$	0100nnnn00001011	—	—	—
RTS		Delayed branch, $\text{PR} \rightarrow \text{PC}$	0000000000001011	—	—	—

Table 3.9 System Control Instructions

Instruction		Operation	Instruction Code	Privileged	T Bit	New
CLRMAC		$0 \rightarrow \text{MACH}, \text{MACL}$	0000000000101000	—	—	—
CLRS		$0 \rightarrow \text{S}$	0000000001001000	—	—	—
CLRT		$0 \rightarrow \text{T}$	0000000000001000	—	0	—
ICBI	@Rn	Invalidates instruction cache block	0000nnnn11100011	—	—	New
LDC	Rm,SR	$\text{Rm} \rightarrow \text{SR}$	0100mmmm00001110	Privileged	LSB	—
LDC	Rm,GBR	$\text{Rm} \rightarrow \text{GBR}$	0100mmmm00011110	—	—	—
LDC	Rm,VBR	$\text{Rm} \rightarrow \text{VBR}$	0100mmmm00101110	Privileged	—	—
LDC	Rm,SGR	$\text{Rm} \rightarrow \text{SGR}$	0100mmmm00111010	Privileged	—	—

Instruction		Operation	Instruction Code	Privileged	T Bit	New
LDC	Rm,SSR	Rm → SSR	0100mmmm00111110	Privileged	—	—
LDC	Rm,SPC	Rm → SPC	0100mmmm01001110	Privileged	—	—
LDC	Rm,DBR	Rm → DBR	0100mmmm11111010	Privileged	—	—
LDC	Rm,Rn_BANK	Rm → Rn_BANK (n = 0 to 7)	0100mmmm1nnn1110	Privileged	—	—
LDC.L	@Rm+,SR	(Rm) → SR, Rm + 4 → Rm	0100mmmm00000111	Privileged	LSB	—
LDC.L	@Rm+,GBR	(Rm) → GBR, Rm + 4 → Rm	0100mmmm00010111	—	—	—
LDC.L	@Rm+,VBR	(Rm) → VBR, Rm + 4 → Rm	0100mmmm00100111	Privileged	—	—
LDC.L	@Rm+,SGR	(Rm) → SGR, Rm + 4 → Rm	0100mmmm00110110	Privileged	—	—
LDC.L	@Rm+,SSR	(Rm) → SSR, Rm + 4 → Rm	0100mmmm00110111	Privileged	—	—
LDC.L	@Rm+,SPC	(Rm) → SPC, Rm + 4 → Rm	0100mmmm01000111	Privileged	—	—
LDC.L	@Rm+,DBR	(Rm) → DBR, Rm + 4 → Rm	0100mmmm11110110	Privileged	—	—
LDC.L	@Rm+,Rn_BANK	(Rm) → Rn_BANK, Rm + 4 → Rm	0100mmmm1nnn0111	Privileged	—	—
LDS	Rm,MACH	Rm → MACH	0100mmmm00001010	—	—	—
LDS	Rm,MACL	Rm → MACL	0100mmmm00011010	—	—	—
LDS	Rm,PR	Rm → PR	0100mmmm00101010	—	—	—
LDS.L	@Rm+,MACH	(Rm) → MACH, Rm + 4 → Rm	0100mmmm00000110	—	—	—
LDS.L	@Rm+,MACL	(Rm) → MACL, Rm + 4 → Rm	0100mmmm00010110	—	—	—
LDS.L	@Rm+,PR	(Rm) → PR, Rm + 4 → Rm	0100mmmm00100110	—	—	—
LDTLB		PTEH/PTEL (/PTEA) → TLB	000000000111000	Privileged	—	—
MOVCA.L	R0,@Rn	R0 → (Rn) (without fetching cache block)	0000nnnn11000011	—	—	—
NOP		No operation	000000000001001	—	—	—
OCBI	@Rn	Invalidates operand cache block	0000nnnn10010011	—	—	—
OCBP	@Rn	Writes back and invalidates operand cache block	0000nnnn10100011	—	—	—
OCBWB	@Rn	Writes back operand cache block	0000nnnn10110011	—	—	—
PREF	@Rn	(Rn) → operand cache	0000nnnn10000011	—	—	—
PREFI	@Rn	Reads 32-byte instruction block into instruction cache	0000nnnn11010011	—	—	New
RTE		Delayed branch, SSR/SPC → SR/PC	000000000101011	Privileged	—	—

Instruction	Operation	Instruction Code	Privileged	T Bit	New
SETS	1 → S	0000000001011000	—	—	—
SETT	1 → T	0000000000011000	—	1	—
SLEEP	Sleep or standby	0000000000011011	Privileged	—	—
STC	SR,Rn	SR → Rn	0000nnnn00000010	Privileged	—
STC	GBR,Rn	GBR → Rn	0000nnnn00010010	—	—
STC	VBR,Rn	VBR → Rn	0000nnnn00100010	Privileged	—
STC	SSR,Rn	SSR → Rn	0000nnnn00110010	Privileged	—
STC	SPC,Rn	SPC → Rn	0000nnnn01000010	Privileged	—
STC	SGR,Rn	SGR → Rn	0000nnnn00111010	Privileged	—
STC	DBR,Rn	DBR → Rn	0000nnnn11111010	Privileged	—
STC	Rm_BANK,Rn	Rm_BANK → Rn (m = 0 to 7)	0000nnnn1mmmm0010	Privileged	—
STC.L	SR,@-Rn	Rn - 4 → Rn, SR → (Rn)	0100nnnn00000011	Privileged	—
STC.L	GBR,@-Rn	Rn - 4 → Rn, GBR → (Rn)	0100nnnn00010011	—	—
STC.L	VBR,@-Rn	Rn - 4 → Rn, VBR → (Rn)	0100nnnn00100011	Privileged	—
STC.L	SSR,@-Rn	Rn - 4 → Rn, SSR → (Rn)	0100nnnn00110011	Privileged	—
STC.L	SPC,@-Rn	Rn - 4 → Rn, SPC → (Rn)	0100nnnn01000011	Privileged	—
STC.L	SGR,@-Rn	Rn - 4 → Rn, SGR → (Rn)	0100nnnn00110010	Privileged	—
STC.L	DBR,@-Rn	Rn - 4 → Rn, DBR → (Rn)	0100nnnn11110010	Privileged	—
STC.L	Rm_BANK,@- Rn	Rn - 4 → Rn, Rm_BANK → (Rn) (m = 0 to 7)	0100nnnn1mmmm0011	Privileged	—
STS	MACH,Rn	MACH → Rn	0000nnnn00001010	—	—
STS	MACL,Rn	MACL → Rn	0000nnnn00011010	—	—
STS	PR,Rn	PR → Rn	0000nnnn00101010	—	—
STS.L	MACH,@-Rn	Rn - 4 → Rn, MACH → (Rn)	0100nnnn00000010	—	—
STS.L	MACL,@-Rn	Rn - 4 → Rn, MACL → (Rn)	0100nnnn00010010	—	—
STS.L	PR,@-Rn	Rn - 4 → Rn, PR → (Rn)	0100nnnn00100010	—	—

Instruction	Operation	Instruction Code	Privileged	T Bit	New
SYNCO	Data accesses invoked by the following instructions are not executed until execution of data accesses which precede this instruction has been completed.	0000000010101011	—	—	New
TRAPA #imm	PC + 2 → SPC, SR → SSR, R15 → SGR, 1 → SR.MD/BL/RB, #imm << 2 → TRA, H'160 → EXPEVT, VBR + H'0100 → PC	11000011iiiiiii	—	—	—

Table 3.10 Floating-Point Single-Precision Instructions

Instruction	Operation	Instruction Code	Privileged	T Bit	New
FLDI0 FRn	H'0000 0000 → FRn	1111nnnn10001101	—	—	—
FLDI1 FRn	H'3F80 0000 → FRn	1111nnnn10011101	—	—	—
FMOV FRm,FRn	FRm → FRn	1111nnnnmmmm1100	—	—	—
FMOV.S @Rm,FRn	(Rm) → FRn	1111nnnnmmmm1000	—	—	—
FMOV.S @(R0,Rm),FRn	(R0 + Rm) → FRn	1111nnnnmmmm0110	—	—	—
FMOV.S @Rm+,FRn	(Rm) → FRn, Rm + 4 → Rm	1111nnnnmmmm1001	—	—	—
FMOV.S FRm,@Rn	FRm → (Rn)	1111nnnnmmmm1010	—	—	—
FMOV.S FRm,@-Rn	Rn-4 → Rn, FRm → (Rn)	1111nnnnmmmm1011	—	—	—
FMOV.S FRm,@(R0,Rn)	FRm → (R0 + Rn)	1111nnnnmmmm0111	—	—	—
FMOV DRm,DRn	DRm → DRn	1111nnn0mmmm01100	—	—	—
FMOV @Rm,DRn	(Rm) → DRn	1111nnn0mmmm1000	—	—	—
FMOV @(R0,Rm),DRn	(R0 + Rm) → DRn	1111nnn0mmmm0110	—	—	—
FMOV @Rm+,DRn	(Rm) → DRn, Rm + 8 → Rm	1111nnn0mmmm1001	—	—	—
FMOV DRm,@Rn	DRm → (Rn)	1111nnnnmmmm01010	—	—	—
FMOV DRm,@-Rn	Rn-8 → Rn, DRm → (Rn)	1111nnnnmmmm01011	—	—	—
FMOV DRm,@(R0,Rn)	DRm → (R0 + Rn)	1111nnnnmmmm00111	—	—	—
FLDS FRm,FPUL	FRm → FPUL	1111mmmm00011101	—	—	—
FSTS FPUL,FRn	FPUL → FRn	1111nnnn00001101	—	—	—
FABS FRn	FRn & H'7FFF FFFF → FRn	1111nnnn01011101	—	—	—

Instruction	Operation	Instruction Code	Privileged	T Bit	New
FADD	FRm,FRn FRn + FRm → FRn	1111nnnnmmmm0000	—	—	—
FCMP/EQ	FRm,FRn When FRn = FRm, 1 → T Otherwise, 0 → T	1111nnnnmmmm0100	—	Comparis on result	—
FCMP/GT	FRm,FRn When FRn > FRm, 1 → T Otherwise, 0 → T	1111nnnnmmmm0101	—	Comparis on result	—
FDIV	FRm,FRn FRn/FRm → FRn	1111nnnnmmmm0011	—	—	—
FLOAT	FPUL,FRn (float) FPUL → FRn	1111nnnn00101101	—	—	—
FMAC	FR0,FRm,FRn FR0*FRm + FRn → FRn	1111nnnnmmmm1110	—	—	—
FMUL	FRm,FRn FRn*FRm → FRn	1111nnnnmmmm0010	—	—	—
FNEG	FRn FRn ^ H'8000 0000 → FRn	1111nnnn01001101	—	—	—
FSQRT	FRn $\sqrt{\text{FRn}}$ → FRn	1111nnnn01101101	—	—	—
FSUB	FRm,FRn FRn – FRm → FRn	1111nnnnmmmm0001	—	—	—
FTRC	FRm,FPUL (long) FRm → FPUL	1111mmmm00111101	—	—	—

Table 3.11 Floating-Point Double-Precision Instructions

Instruction	Operation	Instruction Code	Privileged	T Bit	New
FABS	DRn DRn & H'7FFF FFFF FFFF FFFF → DRn	1111nnn001011101	—	—	—
FADD	DRm,DRn DRn + DRm → DRn	1111nnn0mmm00000	—	—	—
FCMP/EQ	DRm,DRn When DRn = DRm, 1 → T Otherwise, 0 → T	1111nnn0mmm00100	—	Comparison result	—
FCMP/GT	DRm,DRn When DRn > DRm, 1 → T Otherwise, 0 → T	1111nnn0mmm00101	—	Comparison result	—
FDIV	DRm,DRn DRn /DRm → DRn	1111nnn0mmm00011	—	—	—
FCNVDS	DRm,FPUL double_to_ float(DRm) → FPUL	1111mmmm010111101	—	—	—
FCNVSD	FPUL,DRn float_to_ double (FPUL) → DRn	1111nnn010101101	—	—	—
FLOAT	FPUL,DRn (float)FPUL → DRn	1111nnn000101101	—	—	—
FMUL	DRm,DRn DRn *DRm → DRn	1111nnn0mmm00010	—	—	—
FNEG	DRn DRn ^ H'8000 0000 0000 0000 → DRn	1111nnn001001101	—	—	—
FSQRT	DRn $\sqrt{\text{DRn}}$ → DRn	1111nnn001101101	—	—	—
FSUB	DRm,DRn DRn – DRm → DRn	1111nnn0mmm00001	—	—	—
FTRC	DRm,FPUL (long) DRm → FPUL	1111mmmm000111101	—	—	—

Table 3.12 Floating-Point Control Instructions

Instruction	Operation	Instruction Code	Privileged T Bit	New
LDS Rm,FPSCR	Rm → FPSCR	0100mmmm01101010	—	—
LDS Rm,FPUL	Rm → FPUL	0100mmmm01011010	—	—
LDS.L @Rm+,FPSCR	(Rm) → FPSCR, Rm+4 → Rm	0100mmmm01100110	—	—
LDS.L @Rm+,FPUL	(Rm) → FPUL, Rm+4 → Rm	0100mmmm01010110	—	—
STS FPSCR,Rn	FPSCR → Rn	0000nnnn01101010	—	—
STS FPUL,Rn	FPUL → Rn	0000nnnn01011010	—	—
STS.L FPSCR,@-Rn	Rn - 4 → Rn, FPSCR → (Rn)	0100nnnn01100010	—	—
STS.L FPUL,@-Rn	Rn - 4 → Rn, FPUL → (Rn)	0100nnnn01010010	—	—

Table 3.13 Floating-Point Graphics Acceleration Instructions

Instruction	Operation	Instruction Code	Privileged T Bit	New
FMOV DRm,XDn	DRm → XDn	1111nnn1mmmm01100	—	—
FMOV XDm,DRn	XDm → DRn	1111nnn0mmmm11100	—	—
FMOV XDm,XDn	XDm → XDn	1111nnn1mmmm11100	—	—
FMOV @Rm,XDn	(Rm) → XDn	1111nnn1mmmm1000	—	—
FMOV @Rm+,XDn	(Rm) → XDn, Rm + 8 → Rm	1111nnn1mmmm1001	—	—
FMOV @(R0,Rm),XDn	(R0 + Rm) → XDn	1111nnn1mmmm0110	—	—
FMOV XDm,@Rn	XDm → (Rn)	1111nnnnmmmm11010	—	—
FMOV XDm,@-Rn	Rn - 8 → Rn, XDm → (Rn)	1111nnnnmmmm11011	—	—
FMOV XDm,@(R0,Rn)	XDm → (R0 + Rn)	1111nnnnmmmm10111	—	—
FIPR FVm,FVn	inner_product (FVm, FVn) → FR[n+3]	1111nnmm11101101	—	—
FTRV XMTRX,FVn	transform_vector (XMTRX, FVn) → FVn	1111nn0111111101	—	—
FRCHG	~FPSCR.FR → FPSCR.FR	1111101111111101	—	—
FSCHG	~FPSCR.SZ → FPSCR.SZ	1111001111111101	—	—
FPCHG	~FPSCR.PR → FPSCR.PR	1111011111111101	—	New
FSRRA FRn	1/sqrt(FRn) → FRn	1111nnnn01111101	—	New
FSCA FPUL,DRn	sin(FPUL) → FRn* cos(FPUL) → FR[n + 1]	1111nnn011111101	—	New

Note: * sqrt(FRn) is the square root of FRn.

Section 4 Pipelining

This LSI is a 2-ILP (instruction-level-parallelism) superscalar pipelining microprocessor. Instruction execution is pipelined, and two instructions can be executed in parallel.

4.1 Pipelines

Figure 4.1 shows the basic pipelines. Normally, a pipeline consists of eight stages: instruction fetch (I1/I2/I3), decode and register read (ID), execution (E1/E2/E3), and write-back (WB). An instruction is executed as a combination of basic pipelines.

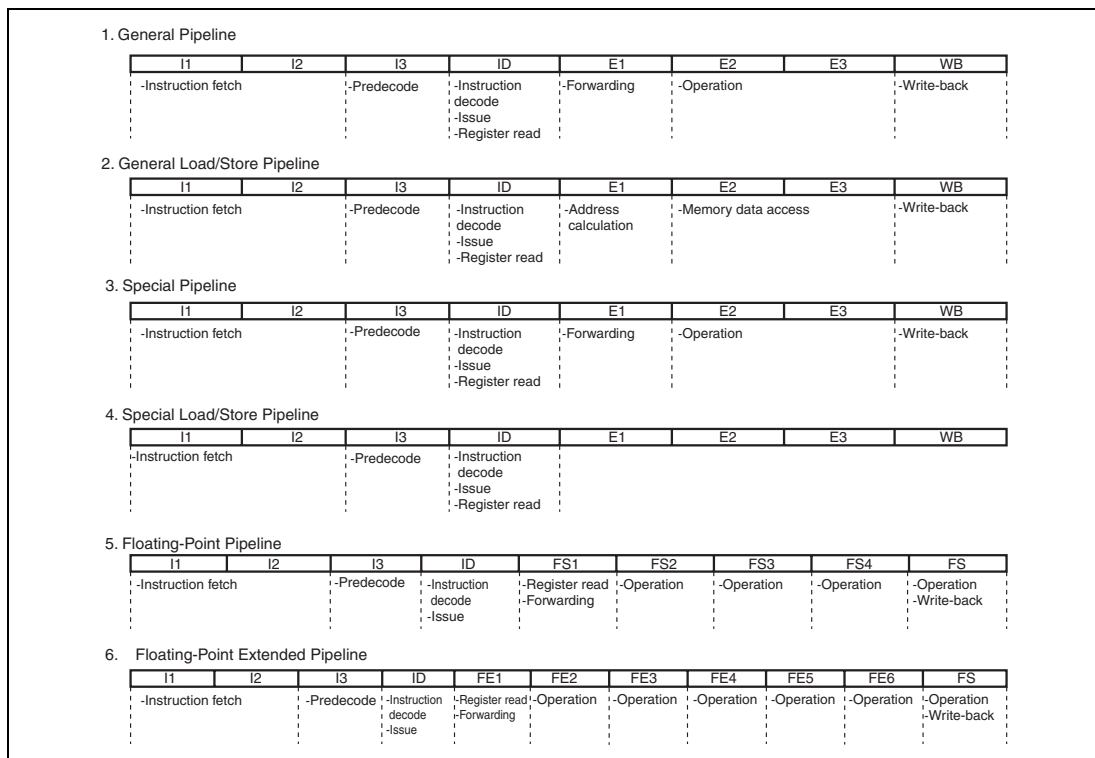


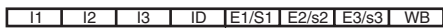
Figure 4.1 Basic Pipelines

Figure 4.2 shows the instruction execution patterns. Representations in figure 4.2 and their descriptions are listed in table 4.1.

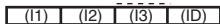
Table 4.1 Representations of Instruction Execution Patterns

Representation	Description							
<table border="1"><tr><td>E1</td><td>E2</td><td>E3</td><td>WB</td></tr></table>	E1	E2	E3	WB	CPU EX pipe is occupied			
E1	E2	E3	WB					
<table border="1"><tr><td>S1</td><td>S2</td><td>S3</td><td>WB</td></tr></table>	S1	S2	S3	WB	CPU LS pipe is occupied (with memory access)			
S1	S2	S3	WB					
<table border="1"><tr><td>s1</td><td>s2</td><td>s3</td><td>WB</td></tr></table>	s1	s2	s3	WB	CPU LS pipe is occupied (without memory access)			
s1	s2	s3	WB					
<table border="1"><tr><td>E1/S1</td></tr></table>	E1/S1	Either CPU EX pipe or CPU LS pipe is occupied						
E1/S1								
<table border="1"><tr><td>E1S1</td></tr></table> , <table border="1"><tr><td>E1s1</td></tr></table>	E1S1	E1s1	Both CPU EX pipe and CPU LS pipe are occupied					
E1S1								
E1s1								
<table border="1"><tr><td>M2</td><td>M3</td><td>MS</td></tr></table>	M2	M3	MS	CPU MULT operation unit is occupied				
M2	M3	MS						
<table border="1"><tr><td>FE1</td><td>FE2</td><td>FE3</td><td>FE4</td><td>FE5</td><td>FE6</td><td>FS</td></tr></table>	FE1	FE2	FE3	FE4	FE5	FE6	FS	FPU-EX pipe is occupied
FE1	FE2	FE3	FE4	FE5	FE6	FS		
<table border="1"><tr><td>FS1</td><td>FS2</td><td>FS3</td><td>FS4</td><td>FS</td></tr></table>	FS1	FS2	FS3	FS4	FS	FPU-LS pipe is occupied		
FS1	FS2	FS3	FS4	FS				
<table border="1"><tr><td>ID</td></tr></table>	ID	ID stage is locked						
ID								
<table border="1"><tr><td> </td></tr></table>		Both CPU and FPU pipes are occupied						

(1-1) BF, BF/S, BT, BT/S, BRA, BSR: 1 issue cycle + 0 to 3 branch cycles



Note: In branch instructions that are categorized as (1-1), the number of branch cycles may be reduced by prefetching.



(Branch destination instruction)

(1-2) JSR, JMP, BRAF, BSRF: 1 issue cycle + 4 branch cycles



(Branch destination instruction)

(1-3) RTS: 1 issue cycle + 0 to 4 branch cycles

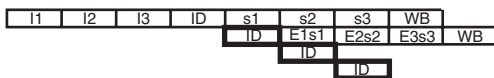


Note: The number of branch cycles may be 0 by prefetching instruction.



(Branch destination instruction)

(1-4) RTE: 4 issue cycles + 2 branch cycles

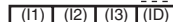
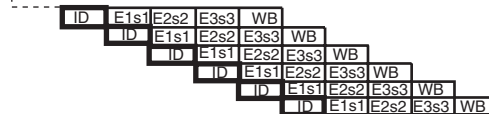


(Branch destination instruction)

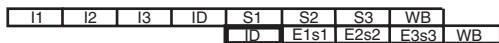
(1-5) TRAPA: 8 issue cycles + 5 cycles + 2 branch cycle



Note: It is 15 cycles to the ID stage in the first instruction of exception handler



(1-6) SLEEP: 2 issue cycles



Note: It is not constant cycles to the clock halted period.

Figure 4.2 Instruction Execution Patterns (1)

(2-1) 1-step operation (EX type): 1 issue cycle

EXT[SU].[BW], MOVT, SWAP, XTRCT, ADD*, CMP*, DIV*, DT, NEG*, SUB*, AND, AND#, NOT, OR, OR#, TST, TST#, XOR, XOR#, ROT*, SHA*, SHL*, CLRS, CLRT, SETS, SETT

Note: Except for AND#, OR#, TST#, and XOR# instructions using GBR relative addressing mode

I1	I2	I3	ID	E1	E2	E3	WB
----	----	----	----	----	----	----	----

(2-2) 1-step operation (LS type): 1 issue cycle

MOVA

I1	I2	I3	ID	s1	s2	s3	WB
----	----	----	----	----	----	----	----

(2-3) 1-step operation (MT type): 1 issue cycle

MOV#, NOP

I1	I2	I3	ID	E1/S1	E2/s2	E3/s3	WB
----	----	----	----	-------	-------	-------	----

(2-4) MOV (MT type): 1 issue cycle

MOV

I1	I2	I3	ID	E1/s1	E2/s2	E3/S3	WB
----	----	----	----	-------	-------	-------	----

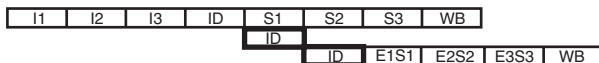
Figure 4.2 Instruction Execution Patterns (2)

(3-1) Load/store: 1 issue cycle

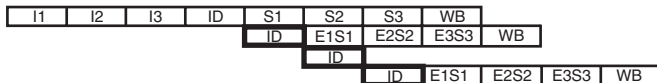
MOV.[BWL], MOV.[BWL] @(d,GBR)



(3-2) AND.B, OR.B, XOR.B, TST.B: 3 issue cycles



(3-3) TAS.B: 4 issue cycles



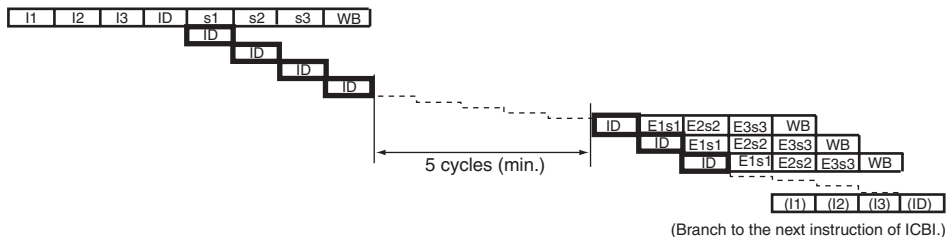
(3-4) PREF, OCBI, OCBP, OCBWB, MOVCA.L, SYNCO: 1 issue cycle



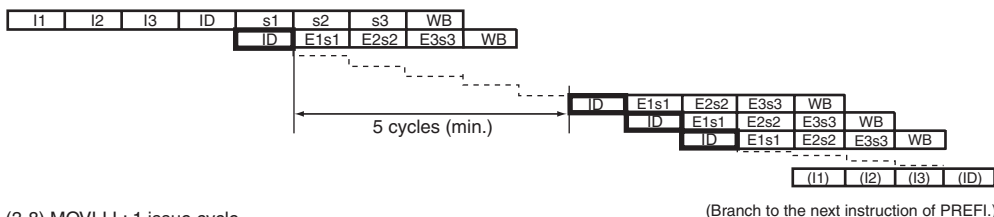
(3-5) LDTLB: 1 issue cycle



(3-6) ICBI: 8 issue cycles + 5 cycles + 4 branch cycle



(3-7) PREFI: 5 issue cycles + 5 cycles + 4 branch cycle



(3-8) MOVL.L: 1 issue cycle



(3-9) MOVCO.L: 1 issue cycle



(3-10) MOVUA.L: 2 issue cycles

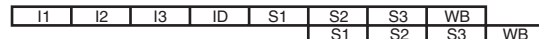


Figure 4.2 Instruction Execution Patterns (3)

(4-1) LDC to Rp_BANK/SSR/SPC/VBR: 1 issue cycle



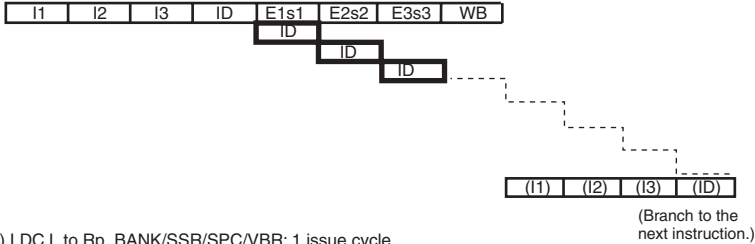
(4-2) LDC to DBR/SGR: 4 issue cycles



(4-3) LDC to GBR: 1 issue cycle



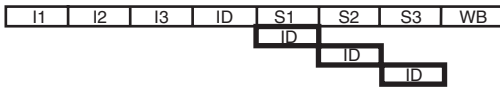
(4-4) LDC to SR: 4 issue cycles + 4 branch cycles



(4-5) LDC.L to Rp_BANK/SSR/SPC/VBR: 1 issue cycle



(4-6) LDC.L to DBR/SGR: 4 issue cycles



(4-7) LDC.L to GBR: 1 issue cycle



(4-8) LDC.L to SR: 6 issue cycles + 4 branch cycles



Figure 4.2 Instruction Execution Patterns (4)

(4-9) STC from DBR/GBR/Rp_BANK/SSR/SPC/VBR/SGR: 1 issue cycle

I1	I2	I3	ID	s1	s2	s3	WB
----	----	----	----	----	----	----	----

(4-10) STC from SR: 1 issue cycle

I1	I2	I3	ID	E1s1	E2s2	E3s3	WB
----	----	----	----	------	------	------	----

(4-11) STC.L from DBR/GBR/Rp_BANK/SSR/SPC/VBR/SGR: 1 issue cycle

I1	I2	I3	ID	S1	S2	S3	WB
----	----	----	----	----	----	----	----

(4-12) STC.L from SR: 1 issue cycle

I1	I2	I3	ID	E1S1	E2S2	E3S3	WB
----	----	----	----	------	------	------	----

(4-13) LDS to PR: 1 issue cycle

I1	I2	I3	ID	s1	s2	s3	WB
----	----	----	----	----	----	----	----

(4-14) LDS.L to PR: 1 issue cycle

I1	I2	I3	ID	S1	S2	S3	WB
----	----	----	----	----	----	----	----

(4-15) STS from PR: 1 issue cycle

I1	I2	I3	ID	s1	s2	s3	WB
----	----	----	----	----	----	----	----

(4-16) STS.L from PR: 1 issue cycle

I1	I2	I3	ID	S1	S2	S3	WB
----	----	----	----	----	----	----	----

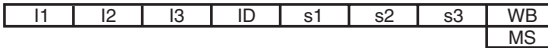
(4-17) BSRF, BSR, JSR delay slot instructions (PR set): 0 issue cycle

(I1)	(I2)	(I3)	(ID)	(??1)	(??2)	(??3)	(WB)
------	------	------	------	-------	-------	-------	------

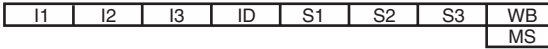
Notes: The value of PR is changed in the E3 stage of delay slot instruction.
When the STS and STS.L instructions from PR are used as delay slot instructions,
changed PR value is used.

Figure 4.2 Instruction Execution Patterns (5)

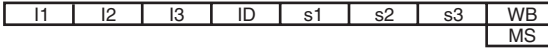
(5-1) LDS to MACH/L: 1 issue cycle



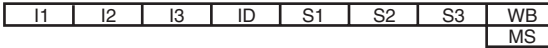
(5-2) LDS.L to MACH/L: 1 issue cycle



(5-3) STS from MACH/L: 1 issue cycle



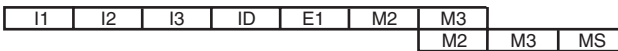
(5-4) STS.L from MACH/L: 1 issue cycle



(5-5) MULS.W, MULU.W: 1 issue cycle



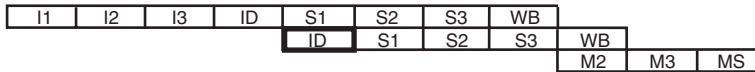
(5-6) DMULS.L, DMULU.L, MUL.L: 1 issue cycle



(5-7) CLRMAC: 1 issue cycle



(5-8) MAC.W: 2 issue cycle



(5-9) MAC.L: 2 issue cycle

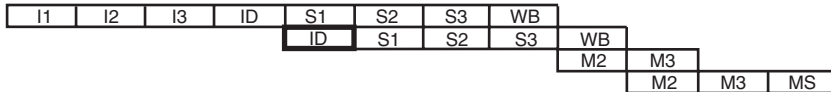
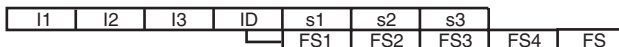


Figure 4.2 Instruction Execution Patterns (6)

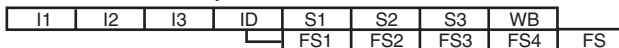
(6-1) LDS to FPUL: 1 issue cycle



(6-2) STS from FPUL: 1 issue cycle



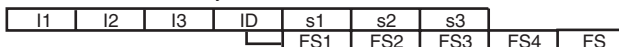
(6-3) LDS.L to FPUL: 1 issue cycle



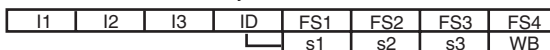
(6-4) STS.L from FPUL: 1 issue cycle



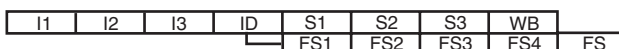
(6-5) LDS to FPSCR: 1 issue cycle



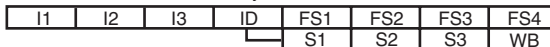
(6-6) STS from FPSCR: 1 issue cycle



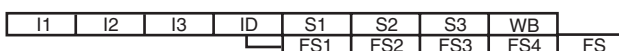
(6-7) LDS.L to FPSCR: 1 issue cycle



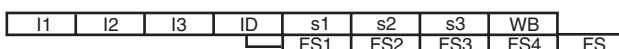
(6-8) STS.L from FPSCR: 1 issue cycle



(6-9) FPU load/store instruction FMOV: 1 issue cycle



(6-10) FLDS: 1 issue cycle

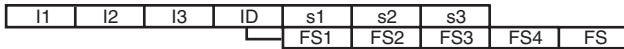


(6-11) FSTS: 1 issue cycle

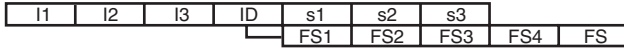


Figure 4.2 Instruction Execution Patterns (7)

(6-12) Single-precision FABS, FNEG/double-precision FABS, FNEG: 1 issue cycle



(6-13) FLDI0, FLDI1: 1 issue cycle

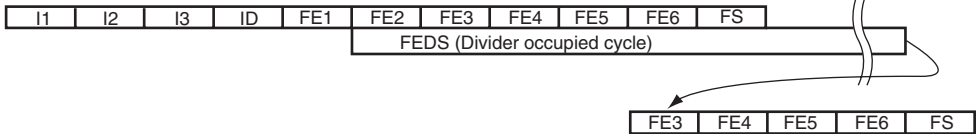


(6-14) Single-precision floating-point computation: 1 issue cycle

FCMP/EQ, FCMP/GT, FADD, FLOAT, FMAC, FMUL, FSUB, FTRC, FRCHG, FSCHG, FPCHG



(6-15) Single-precision FDIV/FSQRT: 1 issue cycle



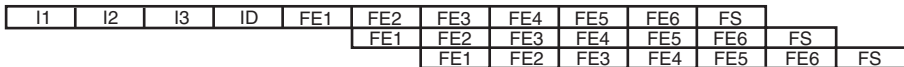
(6-16) Double-precision floating-point computation: 1 issue cycle

FCMP/EQ, FCMP/GT, FADD, FLOAT, FSUB, FTRC, FCNVSD, FCNVDS



(6-17) Double-precision floating-point computation: 1 issue cycle

FMUL



(6-18) Double-precision FDIV/FSQRT: 1 issue cycle

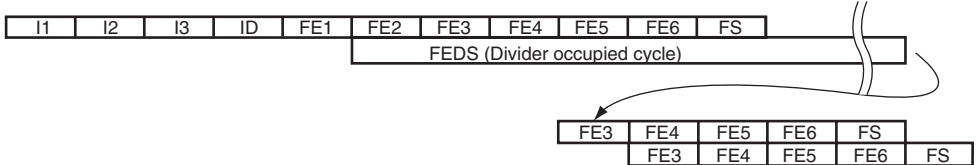
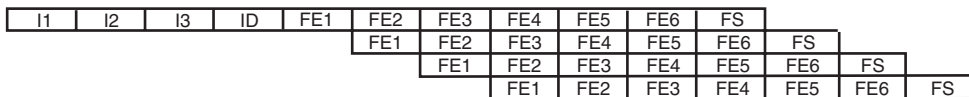


Figure 4.2 Instruction Execution Patterns (8)

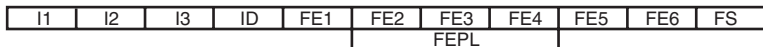
(6-19) FIPR: 1 issue cycle



(6-20) FTRV: 1 issue cycle

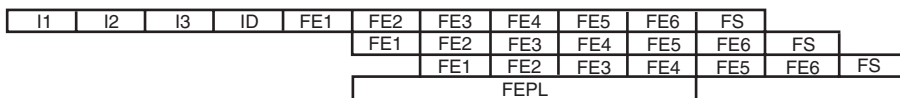


(6-21) FSRRA: 1 issue cycle



Function computing unit occupied cycle

(6-22) FSCA: 1 issue cycle



Function computing unit occupied cycle

Figure 4.2 Instruction Execution Patterns (9)

4.2 Parallel-Executability

Instructions are categorized into six groups according to the internal function blocks used, as shown in table 4.2. Table 4.3 shows the parallel-executability of pairs of instructions in terms of groups. For example, ADD in the EX group and BRA in the BR group can be executed in parallel.

Table 4.2 Instruction Groups

Instruction Group		Instruction		
EX	ADD	DT	ROTL	SHLR8
	ADDC	EXTS	ROTR	SHLR16
	ADDV	EXTU	SETS	SUB
	AND #imm,R0	MOVT	SETT	SUBC
	AND Rm,Rn	MUL.L	SHAD	SUBV
	CLRMAC	MULS.W	SHAL	SWAP
	CLRS	MULU.W	SHAR	TST #imm,R0
	CLRT	NEG	SHLD	TST Rm,Rn
	CMP	NEGC	SHLL	XOR #imm,R0
	DIV0S	NOT	SHLL2	XOR Rm,Rn
	DIV0U	OR #imm,R0	SHLL8	XTRCT
	DIV1	OR Rm,Rn	SHLL16	
	DMUS.L	ROTCL	SHLR	
	DMULU.L	ROTCR	SHLR2	
MT	MOV #imm,Rn	MOV Rm,Rn	NOP	
BR	BF	BRAF	BT	JSR
	BF/S	BSR	BT/S	RTS
	BRA	BSRF	JMP	
LS	FABS	FMOV.S FR,@adr	MOV.[BWL] @adr,R	STC CR2,Rn
	FNEG	FSTS	MOV.[BWL] R,@adr	STC.L CR2,@-Rn
	FLDI0	LDC Rm,CR1	MOVA	STS SR2,Rn
	FLDI1	LDC.L @Rm+,CR1	MOVCA.L	STS.L SR2,@-Rn
	FLDS	LDS Rm,SR1	MOVUA	STS SR1,Rn
	FMOV @adr,FR	LDS Rm,SR2	OCBI	STS.L SR1,@-Rn
	FMOV FR,@adr	LDS.L @adr,SR2	OCBP	
	FMOV FR,FR	LDS.L @Rm+,SR1	OCBWB	
	FMOV.S @adr,FR	LDS.L @Rm+,SR2	PREF	

Instruction Group	Instruction			
FE	FADD	FDIV	FRCHG	FSCA
	FSUB	FIPR	FSCHG	FSRRA
	FCMP (S/D)	FLOAT	FSQRT	FPCHG
	FCNVDS	FMAC	FTRC	
	FCNVSD	FMUL	FTRV	
CO	AND.B #imm,@(R0,GBR)	LDC.L @Rm+,SR	PREFI	TRAPA
	ICBI	LDTLB	RTE	TST.B #imm,@(R0,GBR)
	LDC Rm,DBR	MAC.L	SLEEP	XOR.B #imm,@(R0,GBR)
	LDC Rm,SGR	MAC.W	STC SR,Rn	
	LDC Rm,SR	MOVCO	STC.L SR,@-Rn	
	LDC.L @Rm+,DBR	MOVLI	SYNCO	
	LDC.L @Rm+,SGR	OR.B #imm,@(R0,GBR)	TAS.B	

Legend:

R: Rm/Rn

@adr: Address

SR1: MACH/MACL/PR

SR2: FPUL/FPSCR

CR1: GBR/Rp_BANK/SPC/SSR/VBR

CR2: CR1/DBR/SGR

FR: FRm/FRn/DRm/DRn/XDm/XDn

The parallel execution of two instructions can be carried out under following conditions.

1. Both addr (preceding instruction) and addr+2 (following instruction) are specified within the minimum page size (1 Kbyte).
2. The execution of these two instructions is supported in table 4.3, Combination of Preceding and Following Instructions.
3. Data used by an instruction of addr does not conflict with data used by a previous instruction
4. Data used by an instruction of addr+2 does not conflict with data used by a previous instruction
5. Both instructions are valid

Table 4.3 Combination of Preceding and Following Instructions

	Preceding Instruction (addr)					
	EX	MT	BR	LS	FE	CO
Following Instruction (addr+2)	EX	No	Yes	Yes	Yes	Yes
	MT	Yes	Yes	Yes	Yes	Yes
	BR	Yes	Yes	No	Yes	Yes
	LS	Yes	Yes	Yes	No	Yes
	FE	Yes	Yes	Yes	Yes	No
	CO					

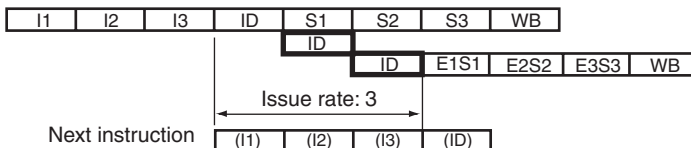
4.3 Issue Rates and Execution Cycles

Instruction execution cycles are summarized in table 4.4. Instruction Group in the table 4.4 corresponds to the category in the table 4.2. Penalty cycles due to a pipeline stall are not considered in the issue rates and execution cycles in this section.

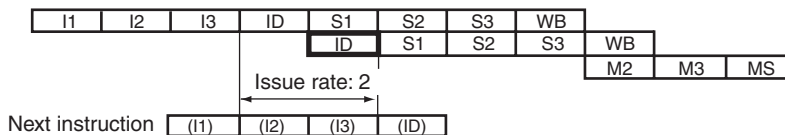
1. Issue Rate

Issue rates indicates the issue period between one instruction and next instruction.

E.g. AND.B instruction



E.g. MAC.W instruction

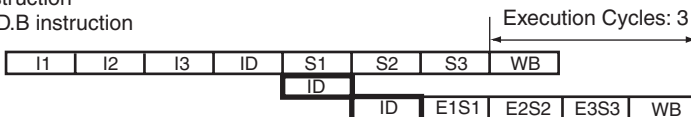


2. Execution Cycles

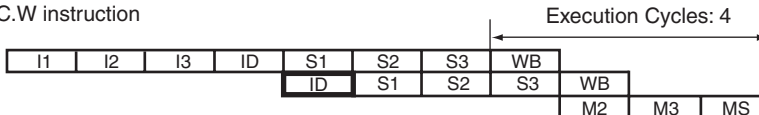
Execution cycles indicates the cycle counts an instruction occupied the pipeline based on the next rules.

CPU instruction

E.g. AND.B instruction

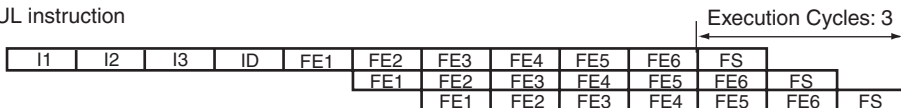


E.g. MAC.W instruction



FPU instruction

E.g. FMUL instruction



E.g. FDIV instruction

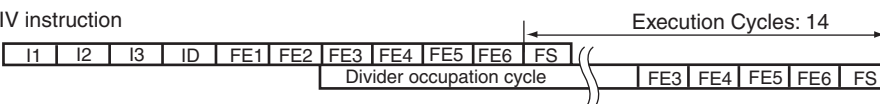


Table 4.4 Issue Rates and Execution Cycles

Functional Category	No.	Instruction	Instruction Group	Issue Rate	Execution Cycles	Execution Pattern
Data transfer instructions	1	EXTS.B Rm,Rn	EX	1	1	2-1
	2	EXTS.W Rm,Rn	EX	1	1	2-1
	3	EXTU.B Rm,Rn	EX	1	1	2-1
	4	EXTU.W Rm,Rn	EX	1	1	2-1
	5	MOV Rm,Rn	MT	1	1	2-4
	6	MOV #imm,Rn	MT	1	1	2-3
	7	MOVA @(disp,PC),R0	LS	1	1	2-2
	8	MOV.W @(disp,PC),Rn	LS	1	1	3-1
	9	MOV.L @(disp,PC),Rn	LS	1	1	3-1
	10	MOV.B @Rm,Rn	LS	1	1	3-1
	11	MOV.W @Rm,Rn	LS	1	1	3-1
	12	MOV.L @Rm,Rn	LS	1	1	3-1
	13	MOV.B @Rm+,Rn	LS	1	1	3-1
	14	MOV.W @Rm+,Rn	LS	1	1	3-1
	15	MOV.L @Rm+,Rn	LS	1	1	3-1
	16	MOV.B @(disp,Rm),R0	LS	1	1	3-1
	17	MOV.W @(disp,Rm),R0	LS	1	1	3-1
	18	MOV.L @(disp,Rm),Rn	LS	1	1	3-1
	19	MOV.B @(R0,Rm),Rn	LS	1	1	3-1
	20	MOV.W @(R0,Rm),Rn	LS	1	1	3-1
	21	MOV.L @(R0,Rm),Rn	LS	1	1	3-1
	22	MOV.B @(disp,GBR),R0	LS	1	1	3-1
	23	MOV.W @(disp,GBR),R0	LS	1	1	3-1
	24	MOV.L @(disp,GBR),R0	LS	1	1	3-1
	25	MOV.B Rm,@Rn	LS	1	1	3-1
	26	MOV.W Rm,@Rn	LS	1	1	3-1
	27	MOV.L Rm,@Rn	LS	1	1	3-1
	28	MOV.B Rm,@-Rn	LS	1	1	3-1
	29	MOV.W Rm,@-Rn	LS	1	1	3-1

Functional Category	No.	Instruction	Instruction Group	Issue Rate	Execution Cycles	Execution Pattern
Data transfer instructions	30	MOV.L Rm,@-Rn	LS	1	1	3-1
	31	MOV.B R0,@(disp,Rn)	LS	1	1	3-1
	32	MOV.W R0,@(disp,Rn)	LS	1	1	3-1
	33	MOV.L Rm,@(disp,Rn)	LS	1	1	3-1
	34	MOV.B Rm,@(R0,Rn)	LS	1	1	3-1
	35	MOV.W Rm,@(R0,Rn)	LS	1	1	3-1
	36	MOV.L Rm,@(R0,Rn)	LS	1	1	3-1
	37	MOV.B R0,@(disp,GBR)	LS	1	1	3-1
	38	MOV.W R0,@(disp,GBR)	LS	1	1	3-1
	39	MOV.L R0,@(disp,GBR)	LS	1	1	3-1
	40	MOVCA.L R0,@Rn	LS	1	1	3-4
	41	MOVCO.L R0,@Rn	CO	1	1	3-9
	42	MOVLI.L @Rm,R0	CO	1	1	3-8
	43	MOVUA.L @Rm,R0	LS	2	2	3-10
	44	MOVUA.L @Rm+,R0	LS	2	2	3-10
	45	MOVT Rn	EX	1	1	2-1
	46	OCBI @Rn	LS	1	1	3-4
	47	OCBP @Rn	LS	1	1	3-4
	48	OCBWB @Rn	LS	1	1	3-4
	49	PREF @Rn	LS	1	1	3-4
	50	SWAP.B Rm,Rn	EX	1	1	2-1
	51	SWAP.W Rm,Rn	EX	1	1	2-1
	52	XTRCT Rm,Rn	EX	1	1	2-1
	Fixed-point arithmetic instructions	53	ADD Rm,Rn	EX	1	1
54		ADD #imm,Rn	EX	1	1	2-1
55		ADDC Rm,Rn	EX	1	1	2-1
56		ADDV Rm,Rn	EX	1	1	2-1
57		CMP/EQ #imm,R0	EX	1	1	2-1
58		CMP/EQ Rm,Rn	EX	1	1	2-1
59		CMP/GE Rm,Rn	EX	1	1	2-1

Functional Category	No.	Instruction	Instruction Group	Issue Rate	Execution Cycles	Execution Pattern
Fixed-point arithmetic instructions	60	CMP/GT Rm,Rn	EX	1	1	2-1
	61	CMP/HI Rm,Rn	EX	1	1	2-1
	62	CMP/HS Rm,Rn	EX	1	1	2-1
	63	CMP/PL Rn	EX	1	1	2-1
	64	CMP/PZ Rn	EX	1	1	2-1
	65	CMP/STR Rm,Rn	EX	1	1	2-1
	66	DIV0S Rm,Rn	EX	1	1	2-1
	67	DIV0U	EX	1	1	2-1
	68	DIV1 Rm,Rn	EX	1	1	2-1
	69	DMULS.L Rm,Rn	EX	1	2	5-6
	70	DMULU.L Rm,Rn	EX	1	2	5-6
	71	DT Rn	EX	1	1	2-1
	72	MAC.L @Rm+,@Rn+	CO	2	5	5-9
	73	MAC.W @Rm+,@Rn+	CO	2	4	5-8
	74	MUL.L Rm,Rn	EX	1	2	5-6
	75	MULS.W Rm,Rn	EX	1	1	5-5
	76	MULU.W Rm,Rn	EX	1	1	5-5
	77	NEG Rm,Rn	EX	1	1	2-1
	78	NEGC Rm,Rn	EX	1	1	2-1
	79	SUB Rm,Rn	EX	1	1	2-1
	80	SUBC Rm,Rn	EX	1	1	2-1
81	SUBV Rm,Rn	EX	1	1	2-1	
Logical instructions	82	AND Rm,Rn	EX	1	1	2-1
	83	AND #imm,R0	EX	1	1	2-1
	84	AND.B #imm,@(R0,GBR)	CO	3	3	3-2
	85	NOT Rm,Rn	EX	1	1	2-1
	86	OR Rm,Rn	EX	1	1	2-1
	87	OR #imm,R0	EX	1	1	2-1
	88	OR.B #imm,@(R0,GBR)	CO	3	3	3-2
	89	TAS.B @Rn	CO	4	4	3-3

Functional Category	No.	Instruction	Instruction Group	Issue Rate	Execution Cycles	Execution Pattern
Logical instructions	90	TST Rm,Rn	EX	1	1	2-1
	91	TST #imm,R0	EX	1	1	2-1
	92	TST.B #imm,@(R0,GBR)	CO	3	3	3-2
	93	XOR Rm,Rn	EX	1	1	2-1
	94	XOR #imm,R0	EX	1	1	2-1
	95	XOR.B #imm,@(R0,GBR)	CO	3	3	3-2
Shift instructions	96	ROTL Rn	EX	1	1	2-1
	97	ROTR Rn	EX	1	1	2-1
	98	ROTCL Rn	EX	1	1	2-1
	99	ROTCR Rn	EX	1	1	2-1
	100	SHAD Rm,Rn	EX	1	1	2-1
	101	SHAL Rn	EX	1	1	2-1
	102	SHAR Rn	EX	1	1	2-1
	103	SHLD Rm,Rn	EX	1	1	2-1
	104	SHLL Rn	EX	1	1	2-1
	105	SHLL2 Rn	EX	1	1	2-1
	106	SHLL8 Rn	EX	1	1	2-1
	107	SHLL16 Rn	EX	1	1	2-1
	108	SHLR Rn	EX	1	1	2-1
	109	SHLR2 Rn	EX	1	1	2-1
	110	SHLR8 Rn	EX	1	1	2-1
	111	SHLR16 Rn	EX	1	1	2-1
Branch instructions	112	BF disp	BR	1+0 to 2	1	1-1
	113	BF/S disp	BR	1+0 to 2	1	1-1
	114	BT disp	BR	1+0 to 2	1	1-1
	115	BT/S disp	BR	1+0 to 2	1	1-1
	116	BRA disp	BR	1+0 to 2	1	1-1
	117	BRAF Rm	BR	1+3	1	1-2
	118	BSR disp	BR	1+0 to 2	1	1-1
	119	BSRF Rm	BR	1+3	1	1-2

4. Pipelining

Functional Category	No.	Instruction	Instruction Group	Issue Rate	Execution Cycles	Execution Pattern
Branch instructions	120	JMP @Rn	BR	1+3	1	1-2
	121	JSR @Rn	BR	1+3	1	1-2
	122	RTS	BR	1+0 to 3	1	1-3
System control instruction	123	NOP	MT	1	1	2-3
	124	CLRMAC	EX	1	1	5-7
	125	CLRS	EX	1	1	2-1
	126	CLRT	EX	1	1	2-1
	127	ICBI @Rn	CO	8+5+3	13	3-6
	128	SETS	EX	1	1	2-1
	129	SETT	EX	1	1	2-1
	130	PREFI @Rn	CO	5+5+3	10	3-7
	131	SYNCO	CO	Undefined	Undefined	3-4
	132	TRAPA #imm	CO	8+5+1	13	1-5
	133	RTE	CO	4+1	4	1-4
	134	SLEEP	CO	Undefined	Undefined	1-6
	135	LDTLB	CO	1	1	3-5
	136	LDC Rm,DBR	CO	4	4	4-2
	137	LDC Rm,SGR	CO	4	4	4-2
	138	LDC Rm,GBR	LS	1	1	4-3
	139	LDC Rm,Rp_BANK	LS	1	1	4-1
	140	LDC Rm,SR	CO	4+3	4	4-4
	141	LDC Rm,SSR	LS	1	1	4-1
	142	LDC Rm,SPC	LS	1	1	4-1
	143	LDC Rm,VBR	LS	1	1	4-1
144	LDC.L @Rm+,DBR	CO	4	4	4-6	
145	LDC.L @Rm+,SGR	CO	4	4	4-6	
146	LDC.L @Rm+,GBR	LS	1	1	4-7	
147	LDC.L @Rm+,Rp_BANK	LS	1	1	4-5	
148	LDC.L @Rm+,SR	CO	6+3	4	4-8	
149	LDC.L @Rm+,SSR	LS	1	1	4-5	

Functional Category	No.	Instruction	Instruction Group	Issue Rate	Execution Cycles	Execution Pattern
System control instructions	150	LDC.L @Rm+,SPC	LS	1	1	4-5
	151	LDC.L @Rm+,VBR	LS	1	1	4-5
	152	LDS Rm,MACH	LS	1	1	5-1
	153	LDS Rm,MACL	LS	1	1	5-1
	154	LDS Rm,PR	LS	1	1	4-13
	155	LDS.L @Rm+,MACH	LS	1	1	5-2
	156	LDS.L @Rm+,MACL	LS	1	1	5-2
	157	LDS.L @Rm+,PR	LS	1	1	4-14
	158	STC DBR,Rn	LS	1	1	4-9
	159	STC SGR,Rn	LS	1	1	4-9
	160	STC GBR,Rn	LS	1	1	4-9
	161	STC Rp_BANK,Rn	LS	1	1	4-9
	162	STC SR,Rn	CO	1	1	4-10
	163	STC SSR,Rn	LS	1	1	4-9
	164	STC SPC,Rn	LS	1	1	4-9
	165	STC VBR,Rn	LS	1	1	4-9
	166	STC.L DBR,@-Rn	LS	1	1	4-11
	167	STC.L SGR,@-Rn	LS	1	1	4-11
	168	STC.L GBR,@-Rn	LS	1	1	4-11
	169	STC.L Rp_BANK,@-Rn	LS	1	1	4-11
170	STC.L SR,@-Rn	CO	1	1	4-12	
171	STC.L SSR,@-Rn	LS	1	1	4-11	
172	STC.L SPC,@-Rn	LS	1	1	4-11	
173	STC.L VBR,@-Rn	LS	1	1	4-11	
174	STS MACH,Rn	LS	1	1	5-3	
175	STS MACL,Rn	LS	1	1	5-3	
176	STS PR,Rn	LS	1	1	4-15	
177	STS.L MACH,@-Rn	LS	1	1	5-4	
178	STS.L MACL,@-Rn	LS	1	1	5-4	
179	STS.L PR,@-Rn	LS	1	1	4-16	

Functional Category	No.	Instruction	Instruction Group	Issue Rate	Execution Cycles	Execution Pattern	
Single-precision floating-point instructions	180	FLDI0	FRn	LS	1	6-13	
	181	FLDI1	FRn	LS	1	6-13	
	182	FMOV	FRm,FRn	LS	1	6-9	
	183	FMOV.S	@Rm,FRn	LS	1	6-9	
	184	FMOV.S	@Rm+,FRn	LS	1	6-9	
	185	FMOV.S	@(R0,Rm),FRn	LS	1	6-9	
	186	FMOV.S	FRm,@Rn	LS	1	6-9	
	187	FMOV.S	FRm,@-Rn	LS	1	6-9	
	188	FMOV.S	FRm,@(R0,Rn)	LS	1	6-9	
	189	FLDS	FRm,FPUL	LS	1	6-10	
	190	FSTS	FPUL,FRn	LS	1	6-11	
	191	FABS	FRn	LS	1	6-12	
	192	FADD	FRm,FRn	FE	1	6-14	
	193	FCMP/EQ	FRm,FRn	FE	1	6-14	
	194	FCMP/GT	FRm,FRn	FE	1	6-14	
	195	FDIV	FRm,FRn	FE	1	14	6-15
	196	FLOAT	FPUL,FRn	FE	1	1	6-14
	197	FMAC	FR0,FRm,FRn	FE	1	1	6-14
	198	FMUL	FRm,FRn	FE	1	1	6-14
	199	FNEG	FRn	LS	1	1	6-12
	200	FSQRT	FRn	FE	1	30	6-15
	201	FSUB	FRm,FRn	FE	1	1	6-14
	202	FTRC	FRm,FPUL	FE	1	1	6-14
	203	FMOV	DRm,DRn	LS	1	1	6-9
	204	FMOV	@Rm,DRn	LS	1	1	6-9
	205	FMOV	@Rm+,DRn	LS	1	1	6-9
	206	FMOV	@(R0,Rm),DRn	LS	1	1	6-9
	207	FMOV	DRm,@Rn	LS	1	1	6-9
	208	FMOV	DRm,@-Rn	LS	1	1	6-9
209	FMOV	DRm,@(R0,Rn)	LS	1	1	6-9	

Functional Category	No.	Instruction	Instruction Group	Issue Rate	Execution Cycles	Execution Pattern
Double-precision floating-point instructions	210	FABS DRn	LS	1	1	6-12
	211	FADD DRm,DRn	FE	1	1	6-16
	212	FCMP/EQ DRm,DRn	FE	1	1	6-16
	213	FCMP/GT DRm,DRn	FE	1	1	6-16
	214	FCNVDS DRm,FPUL	FE	1	1	6-16
	215	FCNVSD FPUL,DRn	FE	1	1	6-16
	216	FDIV DRm,DRn	FE	1	14	6-18
	217	FLOAT FPUL,DRn	FE	1	1	6-16
	218	FMUL DRm,DRn	FE	1	3	6-17
	219	FNEG DRn	LS	1	1	6-12
	220	FSQRT DRn	FE	1	30	6-18
	221	FSUB DRm,DRn	FE	1	1	6-16
222	FTRC DRm,FPUL	FE	1	1	6-16	
FPU system control instructions	223	LDS Rm,FPUL	LS	1	1	6-1
	224	LDS Rm,FPSCR	LS	1	1	6-5
	225	LDS.L @Rm+,FPUL	LS	1	1	6-3
	226	LDS.L @Rm+,FPSCR	LS	1	1	6-7
	227	STS FPUL,Rn	LS	1	1	6-2
	228	STS FPSCR,Rn	LS	1	1	6-6
	229	STS.L FPUL,@-Rn	LS	1	1	6-4
	230	STS.L FPSCR,@-Rn	LS	1	1	6-8
Graphics acceleration instructions	231	FMOV DRm,XDn	LS	1	1	6-9
	232	FMOV XDm,DRn	LS	1	1	6-9
	233	FMOV XDm,XDn	LS	1	1	6-9
	234	FMOV @Rm,XDn	LS	1	1	6-9
	235	FMOV @Rm+,XDn	LS	1	1	6-9
	236	FMOV @(R0,Rm),XDn	LS	1	1	6-9
	237	FMOV XDm,@Rn	LS	1	1	6-9
	238	FMOV XDm,@-Rn	LS	1	1	6-9
	239	FMOV XDm,@(R0,Rn)	LS	1	1	6-9
	240	FIPR FVm,FVn	FE	1	1	6-19

Functional Category	No.	Instruction	Instruction Group	Issue Rate	Execution Cycles	Execution Pattern	
Graphics acceleration instructions	241	FRCHG	FE	1	1	6-14	
	242	FSCHG	FE	1	1	6-14	
	243	FPCHG	FE	1	1	6-14	
	244	FSRRA	FRn	FE	1	1	6-21
	245	FSCA	FPUL,DRn	FE	1	3	6-22
	246	FTRV	XMTRX,FVn	FE	1	4	6-20

Section 5 Exception Handling

5.1 Summary of Exception Handling

Exception handling processing is handled by a special routine which is executed by a reset, general exception handling, or interrupt. For example, if the executing instruction ends abnormally, appropriate action must be taken in order to return to the original program sequence, or report the abnormality before terminating the processing. The process of generating an exception handling request in response to abnormal termination, and passing control to a user-written exception handling routine, in order to support such functions, is given the generic name of exception handling.

The exception handling in this LSI is of three kinds: resets, general exceptions, and interrupts.

5.2 Register Descriptions

Table 5.1 lists the configuration of registers related exception handling.

Table 5.1 Register Configuration

Register Name	Abbr.	R/W	P4 Address*	Area 7 Address*	Access Size
TRAPA exception register	TRA	R/W	H'FF00 0020	H'1F00 0020	32
Exception event register	EXPEVT	R/W	H'FF00 0024	H'1F00 0024	32
Interrupt event register	INTEVT	R/W	H'FF00 0028	H'1F00 0028	32
Non-support detection exception register	EXPMASK	R/W	H'FF2F 0004	H'1F2F 0004	32

Note: * P4 is the address when virtual address space P4 area is used. Area 7 is the address when physical address space area 7 is accessed by using the TLB.

Table 5.2 States of Register in Each Operating Mode

Register Name	Abbr.	Power-on Reset	Manual Reset	Sleep	Standby
TRAPA exception register	TRA	Undefined	Undefined	Retained	Retained
Exception event register	EXPEVT	H'0000 0000	H'0000 0020	Retained	Retained
Interrupt event register	INTEVT	Undefined	Undefined	Retained	Retained
Non-support detection exception register	EXPMASK	H'0000 0013	H'0000 0013	Retained	Retained

5.2.1 TRAPA Exception Register (TRA)

The TRAPA exception register (TRA) consists of 8-bit immediate data (imm) for the TRAPA instruction. TRA is set automatically by hardware when a TRAPA instruction is executed. TRA can also be modified by software.

Bit:	31	30	29	28	27	26	25	24	23	22	21	20	19	18	17	16
	—	—	—	—	—	—	—	—	—	—	—	—	—	—	—	—
Initial value:	0	0	0	0	0	0	0	0	0	0	0	0	0	0	0	0
R/W:	R	R	R	R	R	R	R	R	R	R	R	R	R	R	R	R
Bit:	15	14	13	12	11	10	9	8	7	6	5	4	3	2	1	0
	—	—	—	—	—	—	TRACODE								—	—
Initial value:	0	0	0	0	0	0	—	—	—	—	—	—	—	—	0	0
R/W:	R	R	R	R	R	R	R/W	R/W	R/W	R/W	R/W	R/W	R/W	R/W	R	R

Bit	Bit Name	Initial Value	R/W	Description
31 to 10	—	All 0	R	Reserved For details on reading/writing this bit, see General Precautions on Handling of Product.
9 to 2	TRACODE	Undefined	R/W	TRAPA Code 8-bit immediate data of TRAPA instruction is set
1, 0	—	All 0	R	Reserved For details on reading/writing this bit, see General Precautions on Handling of Product.

5.2.2 Exception Event Register (EXPEVT)

The exception event register (EXPEVT) consists of a 12-bit exception code. The exception code set in EXPEVT is that for a reset or general exception event. The exception code is set automatically by hardware when an exception occurs. EXPEVT can also be modified by software.

Bit:	31	30	29	28	27	26	25	24	23	22	21	20	19	18	17	16
	—	—	—	—	—	—	—	—	—	—	—	—	—	—	—	—
Initial value:	0	0	0	0	0	0	0	0	0	0	0	0	0	0	0	0
R/W:	R	R	R	R	R	R	R	R	R	R	R	R	R	R	R	R
Bit:	15	14	13	12	11	10	9	8	7	6	5	4	3	2	1	0
	—	—	—	—	EXPCODE											
Initial value:	0	0	0	0	0	0	0	0	0	0	0/1	0	0	0	0	0
R/W:	R	R	R	R	R/W	R/W	R/W	R/W	R/W	R/W	R/W	R/W	R/W	R/W	R/W	R/W

Bit	Bit Name	Initial Value	R/W	Description
31 to 12	—	All 0	R	Reserved For details on reading/writing this bit, see General Precautions on Handling of Product.
11 to 0	EXPCODE	H'000 or H'020	R/W	Exception Code The exception code for a reset or general exception is set. For details, see table 5.3.

5.2.3 Interrupt Event Register (INTEVT)

The interrupt event register (INTEVT) consists of a 14-bit exception code. The exception code is set automatically by hardware when an exception occurs. INTEVT can also be modified by software.

Bit:	31	30	29	28	27	26	25	24	23	22	21	20	19	18	17	16
	—	—	—	—	—	—	—	—	—	—	—	—	—	—	—	—
Initial value:	0	0	0	0	0	0	0	0	0	0	0	0	0	0	0	0
R/W:	R	R	R	R	R	R	R	R	R	R	R	R	R	R	R	R
Bit:	15	14	13	12	11	10	9	8	7	6	5	4	3	2	1	0
	—	—	INTCODE													
Initial value:	0	0	—	—	—	—	—	—	—	—	—	—	—	—	—	—
R/W:	R	R	R/W	R/W	R/W	R/W	R/W	R/W	R/W	R/W	R/W	R/W	R/W	R/W	R/W	R/W

Bit	Bit Name	Initial Value	R/W	Description
31 to 14	—	All 0	R	Reserved For details on reading/writing this bit, see General Precautions on Handling of Product.
13 to 0	INTCODE	Undefined	R/W	Exception Code The exception code for an interrupt is set. For details, see table 5.3.

5.2.4 Non-Support Detection Exception Register (EXPMASK)

The non-support detection exception register (EXPMASK) is used to enable or disable the generation of exceptions in response to the use of any of functions 1 to 3 listed below. The functions of 1 to 3 are planned not to be supported in the future SuperH-family products. The exception generation functions of EXPMASK can be used in advance of execution; the detection function then checks for the use of these functions in the software. This will ease the transfer of software to the future SuperH-family products that do not support the respective functions.

1. Handling of an instruction other than the NOP instruction in the delay slot of the RTE instruction.
2. Handling of the SLEEP instruction in the delay slot of the branch instruction.
3. Performance of IC/OC memory-mapped associative write operations.

According to the value of EXPMASK, functions 1 and 2 can generate a slot illegal instruction exception, and 3 can generate a data address error exception.

Generation of each exception can be disabled by writing 1 to the corresponding bit in EXPMASK. However, it is recommended that the above functions should not be used when making a program to maintain the compatibility with the future products.

Use the store instruction of the CPU to update EXPMASK. After updating the register and then reading the register once, execute either of the following instructions. Executing either instruction guarantees the operation with the updated register value.

- Execute the RTE instruction.
- Execute the ICBI instruction for any address (including non-cacheable area).

Bit:	31	30	29	28	27	26	25	24	23	22	21	20	19	18	17	16
	–	–	–	–	–	–	–	–	–	–	–	–	–	–	–	–
Initial value:	0	0	0	0	0	0	0	0	0	0	0	0	0	0	0	0
R/W:	R	R	R	R	R	R	R	R	R	R	R	R	R	R	R	R

Bit:	15	14	13	12	11	10	9	8	7	6	5	4	3	2	1	0
	–	–	–	–	–	–	–	–	–	–	–	MM CAW	–	–	BRDS SLP	RTE DS
Initial value:	0	0	0	0	0	0	0	0	0	0	0	1	0	0	1	1
R/W:	R	R	R	R	R	R	R	R	R	R	R	R/W	R	R	R/W	R/W

Bit	Bit Name	Initial Value	R/W	Description
31 to 5	—	All 0	R	Reserved For details on reading/writing these bits, see General Precautions on Handling of Product.
4	MMCAW	1	R/W	Memory-Mapped Cache Associative Write 0: Memory-mapped cache associative write is disabled. (A data address error exception will occur.) 1: Memory-mapped cache associative write is enabled. For further details, refer to section 8.6.5, Memory-Mapped Cache Associative Write Operation.
3, 2	—	All 0	R	Reserved For details on reading/writing these bits, see General Precautions on Handling of Product.
1	BRDSSLP	1	R/W	Delay Slot SLEEP Instruction 0: The SLEEP instruction in the delay slot is disabled. (The SLEEP instruction is taken as a slot illegal instruction.) 1: The SLEEP instruction in the delay slot is enabled.
0	RTEDS	1	R/W	RTE Delay Slot 0: An instruction other than the NOP instruction in the delay slot of the RTE instruction is disabled. (An instruction other than the NOP instruction is taken as a slot illegal instruction). 1: An instruction other than the NOP instruction in the delay slot of the RTE instruction is enabled.

5.3 Exception Handling Functions

5.3.1 Exception Handling Flow

In exception handling, the contents of the program counter (PC), status register (SR), and R15 are saved in the saved program counter (SPC), saved status register (SSR), and saved general register15 (SGR), and the CPU starts execution of the appropriate exception handling routine according to the vector address. An exception handling routine is a program written by the user to handle a specific exception. The exception handling routine is terminated and control returned to the original program by executing a return-from-exception instruction (RTE). This instruction restores the PC and SR contents and returns control to the normal processing routine at the point at which the exception occurred. The SGR contents are not written back to R15 with an RTE instruction.

The basic processing flow is as follows. For the meaning of the SR bits, see section 2, Programming Model.

1. The PC, SR, and R15 contents are saved in SPC, SSR, and SGR, respectively.
2. The block bit (BL) in SR is set to 1.
3. The mode bit (MD) in SR is set to 1.
4. The register bank bit (RB) in SR is set to 1.
5. In a reset, the FPU disable bit (FD) in SR is cleared to 0.
6. The exception code is written to bits 11 to 0 of the exception event register (EXPEVT) or interrupt event register (INTEVT).
7. When the interrupt mode switch bit (INTMU) in CPUOPM has been 1, the interrupt mask level bit (IMASK) in SR is changed to accepted interrupt level.
8. The CPU branches to the determined exception handling vector address, and the exception handling routine begins.

5.3.2 Exception Handling Vector Addresses

The reset vector address is fixed at H'A0000000. Exception and interrupt vector addresses are determined by adding the offset for the specific event to the vector base address, which is set by software in the vector base register (VBR). In the case of the TLB miss exception, for example, the offset is H'00000400, so if H'9C080000 is set in VBR, the exception handling vector address will be H'9C080400. If a further exception occurs at the exception handling vector address, a duplicate exception will result, and recovery will be difficult; therefore, addresses that are not to be converted (in P1 and P2 areas) should be specified for vector addresses.

5.4 Exception Types and Priorities

Table 5.3 shows the types of exceptions, with their relative priorities, vector addresses, and exception/interrupt codes.

Table 5.3 Exceptions

Exception Category	Execution Mode	Exception	Priority Level* ²	Priority Order* ²	Exception Transition Direction* ³		Exception Code* ⁴
					Vector Address	Offset	
Reset	Abort type	Power-on reset	1	1	H'A000 0000	—	H'000
		Manual reset	1	2	H'A000 0000	—	H'020
		H-UDI reset	1	1	H'A000 0000	—	H'000
		Instruction TLB multiple-hit exception	1	3	H'A000 0000	—	H'140
		Data TLB multiple-hit exception	1	4	H'A000 0000	—	H'140
General exception	Re-execution type	User break before instruction execution* ¹	2	0	(VBR/DBR)	H'100/—	H'1E0
		Instruction address error	2	1	(VBR)	H'100	H'0E0
		Instruction TLB miss exception	2	2	(VBR)	H'400	H'040
		Instruction TLB protection violation exception	2	3	(VBR)	H'100	H'0A0
		General illegal instruction exception	2	4	(VBR)	H'100	H'180
		Slot illegal instruction exception	2	4	(VBR)	H'100	H'1A0
		General FPU disable exception	2	4	(VBR)	H'100	H'800
		Slot FPU disable exception	2	4	(VBR)	H'100	H'820
		Data address error (read)	2	5	(VBR)	H'100	H'0E0
		Data address error (write)	2	5	(VBR)	H'100	H'100
		Data TLB miss exception (read)	2	6	(VBR)	H'400	H'040
		Data TLB miss exception (write)	2	6	(VBR)	H'400	H'060
		Data TLB protection violation exception (read)	2	7	(VBR)	H'100	H'0A0
		Data TLB protection violation exception (write)	2	7	(VBR)	H'100	H'0C0
		FPU exception	2	8	(VBR)	H'100	H'120
Initial page write exception	2	9	(VBR)	H'100	H'080		

Exception Category	Execution Mode	Exception	Priority Level* ²	Priority Order* ²	Exception Transition Direction* ³		Exception Code* ⁴
					Vector Address	Offset	
General exception	Completion type	Unconditional trap (TRAPA)	2	4	(VBR)	H'100	H'160
		User break after instruction execution*	2	10	(VBR/DBR)	H'100/—	H'1E0
Interrupt	Completion type	Nonmaskable interrupt	3	—	(VBR)	H'600	H'1C0
		General interrupt request	4	—	(VBR)	H'600	—

- Notes:
1. When UBDE in CBCR = 1, PC = DBR. In other cases, PC = VBR + H'100.
 2. Priority is first assigned by priority level, then by priority order within each level (the lowest number represents the highest priority).
 3. Control passes to H'A000 0000 in a reset, and to [VBR + offset] in other cases.
 4. Stored in EXPEVT for a reset or general exception, and in INTEVT for an interrupt.

5.5 Exception Flow

5.5.1 Exception Flow

Figure 5.1 shows an outline flowchart of the basic operations in instruction execution and exception handling. For the sake of clarity, the following description assumes that instructions are executed sequentially, one by one. Figure 5.1 shows the relative priority order of the different kinds of exceptions (reset, general exception, and interrupt). Register settings in the event of an exception are shown only for SSR, SPC, SGR, EXPEVT/INTEVT, SR, and PC. However, other registers may be set automatically by hardware, depending on the exception. For details, see section 5.6, Description of Exceptions. Also, see section 5.6.4, Priority Order with Multiple Exceptions, for exception handling during execution of a delayed branch instruction and a delay slot instruction, or in the case of instructions in which two data accesses are performed.

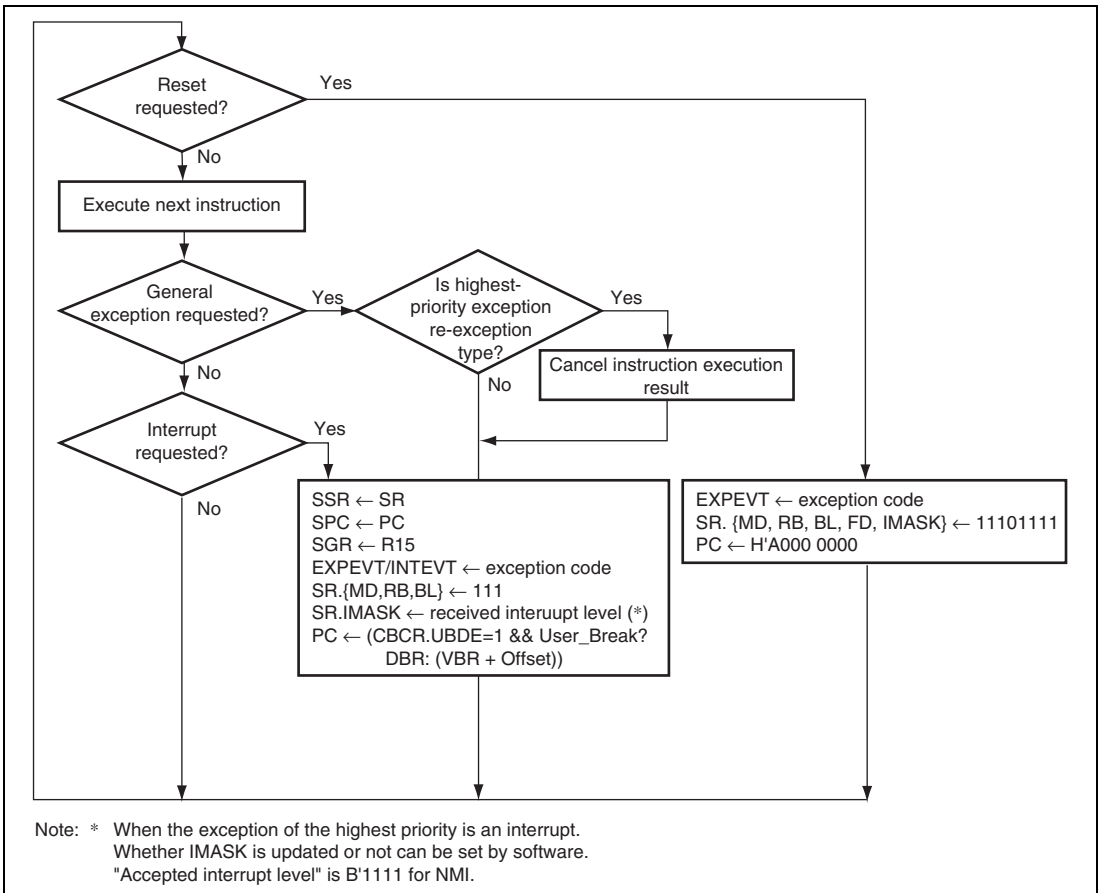


Figure 5.1 Instruction Execution and Exception Handling

5.5.2 Exception Source Acceptance

A priority ranking is provided for all exceptions for use in determining which of two or more simultaneously generated exceptions should be accepted. Five of the general exceptions—general illegal instruction exception, slot illegal instruction exception, general FPU disable exception, slot FPU disable exception, and unconditional trap exception—are detected in the process of instruction decoding, and do not occur simultaneously in the instruction pipeline. These exceptions therefore all have the same priority. General exceptions are detected in the order of instruction execution. However, exception handling is performed in the order of instruction flow (program order). Thus, an exception for an earlier instruction is accepted before that for a later instruction. An example of the order of acceptance for general exceptions is shown in figure 5.2.

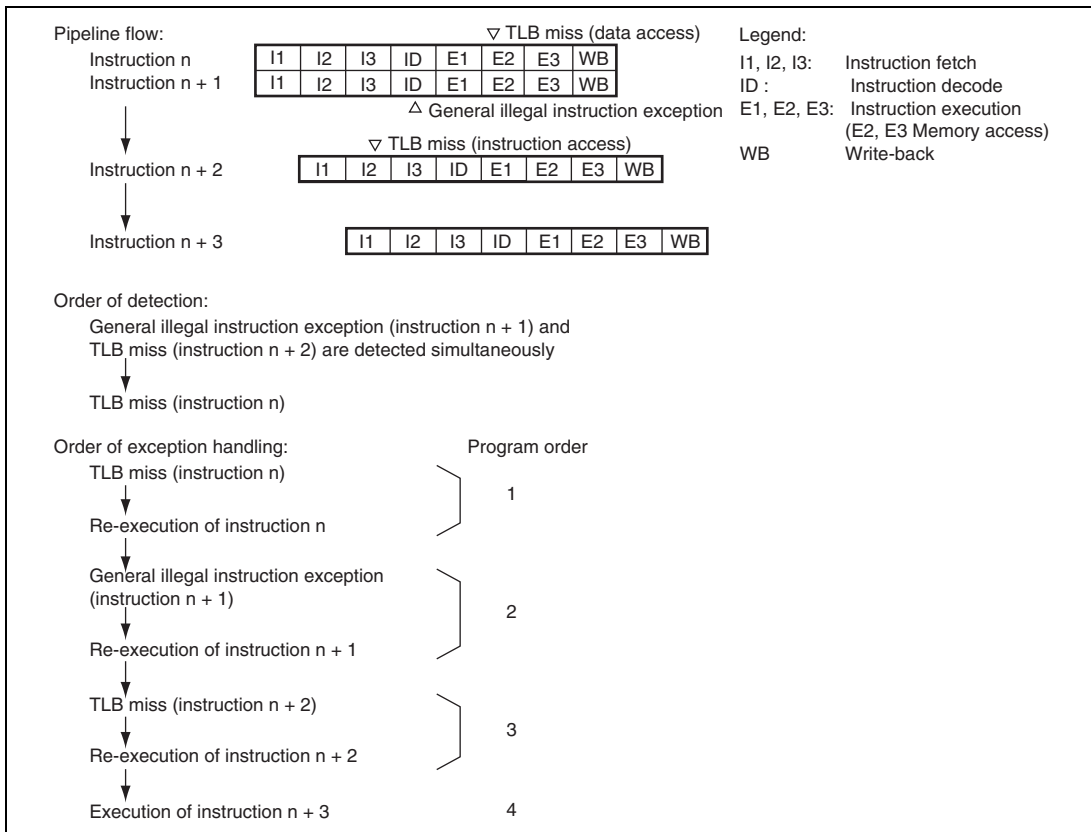


Figure 5.2 Example of General Exception Acceptance Order

5.5.3 Exception Requests and BL Bit

When the BL bit in SR is 0, general exceptions and interrupts are accepted.

When the BL bit in SR is 1 and an general exception other than a user break is generated, the CPU's internal registers and the registers of the other modules are set to their states following a manual reset, and the CPU branches to the same address as in a reset (H'A0000000). For the operation in the event of a user break, see section 29, User Break Controller (UBC). If an ordinary interrupt occurs, the interrupt request is held pending and is accepted after the BL bit has been cleared to 0 by software. If a nonmaskable interrupt (NMI) occurs, it can be held pending or accepted according to the setting made by software. For further details, refer to the hardware manual of the product.

Thus, normally, SPC and SSR are saved and then the BL bit in SR is cleared to 0, to enable multiple exception state acceptance.

5.5.4 Return from Exception Handling

The RTE instruction is used to return from exception handling. When the RTE instruction is executed, the SPC contents are restored to PC and the SSR contents to SR, and the CPU returns from the exception handling routine by branching to the SPC address. If SPC and SSR were saved to external memory, set the BL bit in SR to 1 before restoring the SPC and SSR contents and issuing the RTE instruction.

5.6 Description of Exceptions

The various exception handling operations explained here are exception sources, transition address on the occurrence of exception, and processor operation when a transition is made.

5.6.1 Resets

(1) Power-On Reset

- Condition:
Power-on reset request
- Operations:
Exception code H'000 is set in EXPEVT, initialization of the CPU and on-chip peripheral module is carried out, and then a branch is made to the reset vector (H'A0000000). For details, see the register descriptions in the relevant sections. A power-on reset should be executed when power is supplied.

(2) Manual Reset

- Condition:
Manual reset request
- Operations:
Exception code H'020 is set in EXPEVT, initialization of the CPU and on-chip peripheral module is carried out, and then a branch is made to the branch vector (H'A0000000). The registers initialized by a power-on reset and manual reset are different. For details, see the register descriptions in the relevant sections.

(3) H-UDI Reset

- Source: SDIR.TI[7:4] = B'0110 (negation) or B'0111 (assertion)
- Transition address: H'A0000000
- Transition operations:
Exception code H'000 is set in EXPEVT, initialization of VBR and SR is performed, and a branch is made to PC = H'A0000000.
CPU and on-chip peripheral module initialization is performed. For details, see section 30, User Debugging Interface (H-UDI), and the register descriptions in the relevant sections.

(4) Instruction TLB Multiple Hit Exception

- Source: Multiple ITLB address matches
- Transition address: H'A0000000
- Transition operations:

The virtual address (32 bits) at which this exception occurred is set in TEA, and the corresponding virtual page number (22 bits) is set in PTEH [31:10]. ASID in PTEH indicates the ASID when this exception occurred.

Exception code H'140 is set in EXPEVT, initialization of VBR and SR is performed, and a branch is made to PC = H'A0000000.

CPU and on-chip peripheral module initialization is performed in the same way as in a manual reset. For details, see the register descriptions in the relevant sections.

(5) Data TLB Multiple-Hit Exception

- Source: Multiple UTLB address matches
- Transition address: H'A0000000
- Transition operations:

The virtual address (32 bits) at which this exception occurred is set in TEA, and the corresponding virtual page number (22 bits) is set in PTEH [31:10]. ASID in PTEH indicates the ASID when this exception occurred.

Exception code H'140 is set in EXPEVT, initialization of VBR and SR is performed, and a branch is made to PC = H'A0000000.

CPU and on-chip peripheral module initialization is performed in the same way as in a manual reset. For details, see the register descriptions in the relevant sections.

5.6.2 General Exceptions

(1) Data TLB Miss Exception

- Source: Address mismatch in UTLB address comparison
- Transition address: VBR + H'00000400
- Transition operations:

The virtual address (32 bits) at which this exception occurred is set in TEA, and the corresponding virtual page number (22 bits) is set in PTEH [31:10]. ASID in PTEH indicates the ASID when this exception occurred.

The PC and SR contents for the instruction at which this exception occurred are saved in SPC and SSR. The R15 contents at this time are saved in SGR.

Exception code H'040 (for a read access) or H'060 (for a write access) is set in EXPEVT. The BL, MD, and RB bits are set to 1 in SR, and a branch is made to PC = VBR + H'0400.

To speed up TLB miss processing, the offset is separate from that of other exceptions.

```
Data_TLB_miss_exception()  
{  
    TEA = EXCEPTION_ADDRESS;  
    PTEH.VPN = PAGE_NUMBER;  
    SPC = PC;  
    SSR = SR;  
    SGR = R15;  
    EXPEVT = read_access ? H'0000 0040 : H'0000 0060;  
    SR.MD = 1;  
    SR.RB = 1;  
    SR.BL = 1;  
    PC = VBR + H'0000 0400;  
}
```

(2) Instruction TLB Miss Exception

- Source: Address mismatch in ITLB address comparison
- Transition address: VBR + H'00000400
- Transition operations:

The virtual address (32 bits) at which this exception occurred is set in TEA, and the corresponding virtual page number (22 bits) is set in PTEH [31:10]. ASID in PTEH indicates the ASID when this exception occurred.

The PC and SR contents for the instruction at which this exception occurred are saved in SPC and SSR. The R15 contents at this time are saved in SGR.

Exception code H'40 is set in EXPEVT. The BL, MD, and RB bits are set to 1 in SR, and a branch is made to PC = VBR + H'0400.

To speed up TLB miss processing, the offset is separate from that of other exceptions.

```
ITLB_miss_exception()
{
    TEA = EXCEPTION_ADDRESS;
    PTEH.VPN = PAGE_NUMBER;
    SPC = PC;
    SSR = SR;
    SGR = R15;
    EXPEVT = H'0000 0040;
    SR.MD = 1;
    SR.RB = 1;
    SR.BL = 1;
    PC = VBR + H'0000 0400;
}
```

(3) Initial Page Write Exception

- Source: TLB is hit in a store access, but dirty bit D = 0
- Transition address: VBR + H'00000100
- Transition operations:

The virtual address (32 bits) at which this exception occurred is set in TEA, and the corresponding virtual page number (22 bits) is set in PTEH [31:10]. ASID in PTEH indicates the ASID when this exception occurred.

The PC and SR contents for the instruction at which this exception occurred are saved in SPC and SSR. The R15 contents at this time are saved in SGR.

Exception code H'080 is set in EXPEVT. The BL, MD, and RB bits are set to 1 in SR, and a branch is made to PC = VBR + H'0100.

```
Initial_write_exception()  
{  
    TEA = EXCEPTION_ADDRESS;  
    PTEH.VPN = PAGE_NUMBER;  
    SPC = PC;  
    SSR = SR;  
    SGR = R15;  
    EXPEVT = H'0000 0080;  
    SR.MD = 1;  
    SR.RB = 1;  
    SR.BL = 1;  
    PC = VBR + H'0000 0100;  
}
```


(4) Data TLB Protection Violation Exception

- Source: The access does not accord with the UTLB protection information (PR bits or EPR bits) shown in table 5.4 and table 5.5.

Table 5.4 UTLB Protection Information (TLB Compatible Mode)

PR	Privileged Mode	User Mode
00	Only read access possible	Access not possible
01	Read/write access possible	Access not possible
10	Only read access possible	Only read access possible
11	Read/write access possible	Read/write access possible

Table 5.5 UTLB Protection Information (TLB Extended Mode)

EPR [5]	Read Permission in Privileged Mode
0	Read access possible
1	Read access not possible

EPR [4]	Write Permission in Privileged Mode
0	Write access possible
1	Write access not possible

EPR [2]	Read Permission in User Mode
0	Read access possible
1	Read access not possible

EPR [1]	Write Permission in User Mode
0	Write access possible
1	Write access not possible

- Transition address: VBR + H'00000100
- Transition operations:

The virtual address (32 bits) at which this exception occurred is set in TEA, and the corresponding virtual page number (22 bits) is set in PTEH [31:10]. ASID in PTEH indicates the ASID when this exception occurred.

The PC and SR contents for the instruction at which this exception occurred are saved in SPC and SSR. The R15 contents at this time are saved in SGR.

Exception code H'0A0 (for a read access) or H'0C0 (for a write access) is set in EXPEVT. The BL, MD, and RB bits are set to 1 in SR, and a branch is made to PC = VBR + H'0100.

```
Data_TLB_protection_violation_exception()
{
    TEA = EXCEPTION_ADDRESS;
    PTEH.VPN = PAGE_NUMBER;
    SPC = PC;
    SSR = SR;
    SGR = R15;
    EXPEVT = read_access ? H'0000 00A0 : H'0000 00C0;
    SR.MD = 1;
    SR.RB = 1;
    SR.BL = 1;
    PC = VBR + H'0000 0100;
}
```

(5) Instruction TLB Protection Violation Exception

- Source: The access does not accord with the ITLB protection information (PR bits or EPR bits) shown in table 5.6 and table 5.7.

Table 5.6 ITLB Protection Information (TLB Compatible Mode)

PR	Privileged Mode	User Mode
0	Access possible	Access not possible
1	Access possible	Access possible

Table 5.7 ITLB Protection Information (TLB Extended Mode)

EPR [5], EPR [3]	Execution Permission in Privileged Mode
11	Execution of instructions possible
10	Instruction fetch not possible Execution of Rn access by ICBI possible
00	Execution of instructions not possible
EPR [2], EPR [0]	Execution Permission in User Mode
11, 01	Execution of instructions possible
10	Instruction fetch not possible Execution of Rn access by ICBI possible
00	Execution of instructions not possible

- Transition address: VBR + H'00000100

- Transition operations:

The virtual address (32 bits) at which this exception occurred is set in TEA, and the corresponding virtual page number (22 bits) is set in PTEH [31:10]. ASID in PTEH indicates the ASID when this exception occurred.

The PC and SR contents for the instruction at which this exception occurred are saved in SPC and SSR. The R15 contents at this time are saved in SGR.

Exception code H'0A0 is set in EXPEVT. The BL, MD, and RB bits are set to 1 in SR, and a branch is made to PC = VBR + H'0100.

```
ITLB_protection_violation_exception()  
{  
    TEA = EXCEPTION_ADDRESS;  
    PTEH.VPN = PAGE_NUMBER;  
    SPC = PC;  
    SSR = SR;  
    SGR = R15;  
    EXPEVT = H'0000 00A0;  
    SR.MD = 1;  
    SR.RB = 1;  
    SR.BL = 1;  
    PC = VBR + H'0000 0100;  
}
```

(6) Data Address Error

- Sources:
 - Word data access from other than a word boundary ($2n + 1$)
 - Longword data access from other than a longword data boundary ($4n + 1$, $4n + 2$, or $4n + 3$) (Except MOVLIA)
 - Quadword data access from other than a quadword data boundary ($8n + 1$, $8n + 2$, $8n + 3$, $8n + 4$, $8n + 5$, $8n + 6$, or $8n + 7$)
 - Access to area H'80000000 to H'FFFFFFFF in user mode
Areas H'E0000000 to H'E3FFFFFF and H'E5000000 to H'E5FFFFFF can be accessed in user mode. For details, see section 7, Memory Management Unit (MMU) and section 9, On-Chip Memory.
 - The MMCAW bit in EXPMASK is 0, and the IC/OC memory mapped associative write is performed. For details of memory mapped associative write, see section 8.6.5, Memory-Mapped Cache Associative Write Operation.
- Transition address: VBR + H'0000100

- Transition operations:

The virtual address (32 bits) at which this exception occurred is set in TEA, and the corresponding virtual page number (22 bits) is set in PTEH [31:10]. ASID in PTEH indicates the ASID when this exception occurred.

The PC and SR contents for the instruction at which this exception occurred are saved in SPC and SSR. The R15 contents at this time are saved in SGR.

Exception code H'0E0 (for a read access) or H'100 (for a write access) is set in EXPEVT. The BL, MD, and RB bits are set to 1 in SR, and a branch is made to PC = VBR + H'0100. For details, see section 7, Memory Management Unit (MMU).

```
Data_address_error()  
{  
    TEA = EXCEPTION_ADDRESS;  
    PTEH.VPN = PAGE_NUMBER;  
    SPC = PC;  
    SSR = SR;  
    SGR = R15;  
    EXPEVT = read_access? H'0000 00E0: H'0000 0100;  
    SR.MD = 1;  
    SR.RB = 1;  
    SR.BL = 1;  
    PC = VBR + H'0000 0100;  
}
```

(7) Instruction Address Error

- Sources:
 - Instruction fetch from other than a word boundary (2n + 1)
 - Instruction fetch from area H'80000000 to H'FFFFFFF in user mode
Area H'E5000000 to H'E5FFFFFF can be accessed in user mode. For details, see section 9, On-Chip Memory.
- Transition address: VBR + H'00000100
- Transition operations:

The virtual address (32 bits) at which this exception occurred is set in TEA, and the corresponding virtual page number (22 bits) is set in PTEH [31:10]. ASID in PTEH indicates the ASID when this exception occurred.

The PC and SR contents for the instruction at which this exception occurred are saved in the SPC and SSR. The R15 contents at this time are saved in SGR.

Exception code H'0E0 is set in EXPEVT. The BL, MD, and RB bits are set to 1 in SR, and a branch is made to PC = VBR + H'0100. For details, see section 7, Memory Management Unit (MMU).

```
Instruction_address_error()  
{  
    TEA = EXCEPTION_ADDRESS;  
    PTEH.VPN = PAGE_NUMBER;  
    SPC = PC;  
    SSR = SR;  
    SGR = R15;  
    EXPEVT = H'0000 00E0;  
    SR.MD = 1;  
    SR.RB = 1;  
    SR.BL = 1;  
    PC = VBR + H'0000 0100;  
}
```

(8) Unconditional Trap

- Source: Execution of TRAPA instruction
- Transition address: VBR + H'00000100
- Transition operations:

As this is a processing-completion-type exception, the PC contents for the instruction following the TRAPA instruction are saved in SPC. The value of SR and R15 when the TRAPA instruction is executed are saved in SSR and SGR. The 8-bit immediate value in the TRAPA instruction is multiplied by 4, and the result is set in TRA [9:0]. Exception code H'160 is set in EXPEVT. The BL, MD, and RB bits are set to 1 in SR, and a branch is made to PC = VBR + H'0100.

```
TRAPA_exception()  
{  
    SPC = PC + 2;  
    SSR = SR;  
    SGR = R15;  
    TRA = imm << 2;  
    EXPEVT = H'0000 0160;  
    SR.MD = 1;  
    SR.RB = 1;  
    SR.BL = 1;  
    PC = VBR + H'0000 0100;  
}
```

(9) General Illegal Instruction Exception

- Sources:
 - Decoding of an undefined instruction not in a delay slot
Delayed branch instructions: JMP, JSR, BRA, BRAF, BSR, BSRF, RTS, RTE, BT/S, BF/S
Undefined instruction: H'FFFD
 - Decoding in user mode of a privileged instruction not in a delay slot
Privileged instructions: LDC, STC, RTE, LDTLB, SLEEP, but excluding LDC/STC instructions that access GBR

- Transition address: VBR + H'00000100

- Transition operations:

The PC and SR contents for the instruction at which this exception occurred are saved in SPC and SSR. The R15 contents at this time are saved in SGR.

Exception code H'180 is set in EXPEVT. The BL, MD, and RB bits are set to 1 in SR, and a branch is made to PC = VBR + H'0100. Operation is not guaranteed if an undefined code other than H'FFFD is decoded.

```
General_illegal_instruction_exception()  
{  
    SPC = PC;  
    SSR = SR;  
    SGR = R15;  
    EXPEVT = H'0000 0180;  
    SR.MD = 1;  
    SR.RB = 1;  
    SR.BL = 1;  
    PC = VBR + H'0000 0100;  
}
```


(10) Slot Illegal Instruction Exception

- Sources:
 - Decoding of an undefined instruction in a delay slot
Delayed branch instructions: JMP, JSR, BRA, BRAF, BSR, BSRF, RTS, RTE, BT/S, BF/S
Undefined instruction: H'FFFD
 - Decoding of an instruction that modifies PC in a delay slot
Instructions that modify PC: JMP, JSR, BRA, BRAF, BSR, BSRF, RTS, RTE, BT, BF, BT/S, BF/S, TRAPA, LDC Rm,SR, LDC.L @Rm+,SR, ICBI, PREFI
 - Decoding in user mode of a privileged instruction in a delay slot
Privileged instructions: LDC, STC, RTE, LDTLB, SLEEP, but excluding LDC/STC instructions that access GBR
 - Decoding of a PC-relative MOV instruction or MOVA instruction in a delay slot
 - The BRDSSLP bit in EXPMASK is 0, and the SLEEP instruction in the delay slot is executed.
 - The RTEDS bit in EXPMASK is 0, and an instruction other than the NOP instruction in the delay slot is executed.
- Transition address: VBR + H'000 0100
- Transition operations:

The PC contents for the preceding delayed branch instruction are saved in SPC. The SR and R15 contents when this exception occurred are saved in SSR and SGR.

Exception code H'1A0 is set in EXPEVT. The BL, MD, and RB bits are set to 1 in SR, and a branch is made to PC = VBR + H'0100. Operation is not guaranteed if an undefined code other than H'FFFD is decoded.

```
Slot_illegal_instruction_exception()
{
    SPC = PC - 2;
    SSR = SR;
    SGR = R15;
    EXPEVT = H'0000 01A0;
    SR.MD = 1;
    SR.RB = 1;
    SR.BL = 1;
    PC = VBR + H'0000 0100;
}
```

(11) General FPU Disable Exception

- Source: Decoding of an FPU instruction* not in a delay slot with SR.FD = 1
- Transition address: VBR + H'00000100
- Transition operations:

The PC and SR contents for the instruction at which this exception occurred are saved in SPC and SSR. The R15 contents at this time are saved in SGR.

Exception code H'800 is set in EXPEVT. The BL, MD, and RB bits are set to 1 in SR, and a branch is made to PC = VBR + H'0100.

Note: * FPU instructions are instructions in which the first 4 bits of the instruction code are F (but excluding undefined instruction H'FFFD), and the LDS, STS, LDS.L, and STS.L instructions corresponding to FPUL and FPSCR.

```
General_fpu_disable_exception()  
{  
    SPC = PC;  
    SSR = SR;  
    SGR = R15;  
    EXPEVT = H'0000 0800;  
    SR.MD = 1;  
    SR.RB = 1;  
    SR.BL = 1;  
    PC = VBR + H'0000 0100;  
}
```

(12) Slot FPU Disable Exception

- Source: Decoding of an FPU instruction in a delay slot with SR.FD =1
- Transition address: VBR + H'00000100
- Transition operations:

The PC contents for the preceding delayed branch instruction are saved in SPC. The SR and R15 contents when this exception occurred are saved in SSR and SGR.

Exception code H'820 is set in EXPEVT. The BL, MD, and RB bits are set to 1 in SR, and a branch is made to PC = VBR + H'0100.

```
Slot_fpu_disable_exception()
{
    SPC = PC - 2;
    SSR = SR;
    SGR = R15;
    EXPEVT = H'0000 0820;
    SR.MD = 1;
    SR.RB = 1;
    SR.BL = 1;
    PC = VBR + H'0000 0100;
}
```

(13) Pre-Execution User Break/Post-Execution User Break

- Source: Fulfilling of a break condition set in the user break controller
- Transition address: VBR + H'00000100, or DBR
- Transition operations:

In the case of a post-execution break, the PC contents for the instruction following the instruction at which the breakpoint is set are set in SPC. In the case of a pre-execution break, the PC contents for the instruction at which the breakpoint is set are set in SPC.

The SR and R15 contents when the break occurred are saved in SSR and SGR. Exception code H'1E0 is set in EXPEVT.

The BL, MD, and RB bits are set to 1 in SR, and a branch is made to PC = VBR + H'0100. It is also possible to branch to PC = DBR.

For details of PC, etc., when a data break is set, see section 29, User Break Controller (UBC).

```
User_break_exception()
{
    SPC = (pre_execution break? PC : PC + 2);
    SSR = SR;
    SGR = R15;
    EXPEVT = H'0000 01E0;
    SR.MD = 1;
    SR.RB = 1;
    SR.BL = 1;
    PC = (BRCCR.UBDE==1 ? DBR : VBR + H'0000 0100);
}
```

(14) FPU Exception

- Source: Exception due to execution of a floating-point operation
- Transition address: VBR + H'00000100
- Transition operations:

The PC and SR contents for the instruction at which this exception occurred are saved in SPC and SSR. The R15 contents at this time are saved in SGR. Exception code H'120 is set in EXPEVT. The BL, MD, and RB bits are set to 1 in SR, and a branch is made to PC = VBR + H'0100.

```
FPU_exception()  
{  
    SPC = PC;  
    SSR = SR;  
    SGR = R15;  
    EXPEVT = H'0000 0120;  
    SR.MD = 1;  
    SR.RB = 1;  
    SR.BL = 1;  
    PC = VBR + H'0000 0100;  
}
```

5.6.3 Interrupts

(1) NMI (Nonmaskable Interrupt)

- Source: NMI pin edge detection
- Transition address: VBR + H'00000600
- Transition operations:

The PC and SR contents for the instruction immediately after this exception is accepted are saved in SPC and SSR. The R15 contents at this time are saved in SGR.

Exception code H'1C0 is set in INTEVT. The BL, MD, and RB bits are set to 1 in SR, and a branch is made to PC = VBR + H'0600. When the BL bit in SR is 0, this interrupt is not masked by the interrupt mask bits in SR, and is accepted at the highest priority level. When the BL bit in SR is 1, a software setting can specify whether this interrupt is to be masked or accepted. When the INTMU bit in CPUOPM is 1 and the NMI interrupt is accessed, B'1111 is set to IMASK bit in SR. For details, see section 10, Interrupt Controller (INTC).

NMI ()

```
{  
    SPC = PC;  
    SSR = SR;  
    SGR = R15;  
    INTEVT = H'0000 01C0;  
    SR.MD = 1;  
    SR.RB = 1;  
    SR.BL = 1;  
    If (cond) SR.IMASK = B'1111;  
    PC = VBR + H'0000 0600;  
}
```

(2) General Interrupt Request

- Source: The interrupt mask level bits setting in SR is smaller than the interrupt level of interrupt request, and the BL bit in SR is 0 (accepted at instruction boundary).
- Transition address: VBR + H'00000600
- Transition operations:

The PC contents immediately after the instruction at which the interrupt is accepted are set in SPC. The SR and R15 contents at the time of acceptance are set in SSR and SGR.

The code corresponding to the each interrupt source is set in INTEVT. The BL, MD, and RB bits are set to 1 in SR, and a branch is made to VBR + H'0600. When the INTMU bit in CPUOPM is 1, IMASK bit in SR is changed to accepted interrupt level. For details, see section 10, Interrupt Controller (INTC).

```
Module_interruption()
{
    SPC = PC;
    SSR = SR;
    SGR = R15;
    INTEVT = H'0000 0400 ~ H'0000 3FE0;
    SR.MD = 1;
    SR.RB = 1;
    SR.BL = 1;
    if (cond) SR.IMASK = level_of_accepted_interrupt ();
    PC = VBR + H'0000 0600;
}
```

5.6.4 Priority Order with Multiple Exceptions

With some instructions, such as instructions that make two accesses to memory, and the indivisible pair comprising a delayed branch instruction and delay slot instruction, multiple exceptions occur. Care is required in these cases, as the exception priority order differs from the normal order.

(1) Instructions that Make Two Accesses to Memory

With MAC instructions, memory-to-memory arithmetic/logic instructions, TAS instructions, and MOVUA instructions, two data transfers are performed by a single instruction, and an exception will be detected for each of these data transfers. In these cases, therefore, the following order is used to determine priority.

1. Data address error in first data transfer
2. TLB miss in first data transfer
3. TLB protection violation in first data transfer
4. Initial page write exception in first data transfer
5. Data address error in second data transfer
6. TLB miss in second data transfer
7. TLB protection violation in second data transfer

8. Initial page write exception in second data transfer

(2) Indivisible Delayed Branch Instruction and Delay Slot Instruction

As a delayed branch instruction and its associated delay slot instruction are indivisible, they are treated as a single instruction. Consequently, the priority order for exceptions that occur in these instructions differs from the usual priority order. The priority order shown below is for the case where the delay slot instruction has only one data transfer.

1. A check is performed for the interrupt type and re-execution type exceptions of priority levels 1 and 2 in the delayed branch instruction.
2. A check is performed for the interrupt type and re-execution type exceptions of priority levels 1 and 2 in the delay slot instruction.
3. A check is performed for the completion type exception of priority level 2 in the delayed branch instruction.
4. A check is performed for the completion type exception of priority level 2 in the delay slot instruction.
5. A check is performed for priority level 3 in the delayed branch instruction and priority level 3 in the delay slot instruction. (There is no priority ranking between these two.)
6. A check is performed for priority level 4 in the delayed branch instruction and priority level 4 in the delay slot instruction. (There is no priority ranking between these two.)

If the delay slot instruction has a second data transfer, two checks are performed in step 2, as in the above case (Instructions that make two accesses to memory).

If the accepted exception (the highest-priority exception) is a delay slot instruction re-execution type exception, the branch instruction PR register write operation (PC → PR operation performed in a BSR, BSRF, or JSR instruction) is not disabled. Note that in this case, the contents of PR register are not guaranteed.

5.7 Usage Notes

(1) Return from Exception Handling

- A. Check the BL bit in SR with software. If SPC and SSR have been saved to memory, set the BL bit in SR to 1 before restoring them.
- B. Issue an RTE instruction. When RTE is executed, the SPC contents are saved in PC, the SSR contents are saved in SR, and branch is made to the SPC address to return from the exception handling routine.

(2) If a General Exception or Interrupt Occurs When BL Bit in SR = 1

A. General exception

When a general exception other than a user break occurs, the PC value for the instruction at which the exception occurred is saved in SPC, and a manual reset is executed. The value in EXPEVT at this time is H'00000020; the SSR contents are undefined.

B. Interrupt

If an ordinary interrupt occurs, the interrupt request is held pending and is accepted after the BL bit in SR has been cleared to 0 by software. If a nonmaskable interrupt (NMI) occurs, it can be held pending or accepted according to the setting made by software.

In sleep or standby mode, however, an interrupt is accepted even if the BL bit in SR is set to 1.

(3) SPC when an Exception Occurs

A. Re-execution type general exception

The PC value for the instruction at which the exception occurred is set in SPC, and the instruction is re-executed after returning from the exception handling routine. If an exception occurs in a delay slot instruction, however, the PC value for the delayed branch instruction is saved in SPC regardless of whether or not the preceding delay slot instruction condition is satisfied.

B. Completion type general exception or interrupt

The PC value for the instruction following that at which the exception occurred is set in SPC. If an exception occurs in a branch instruction with delay slot, however, the PC value for the branch destination is saved in SPC.

(4) RTE Instruction Delay Slot

- A. The instruction in the delay slot of the RTE instruction is executed only after the value saved in SSR has been restored to SR. The acceptance of the exception related to the instruction access is determined depending on SR before restoring, while the acceptance of

other exceptions is determined depending on the processing mode by SR after restoring or the BL bit. The completion type exception is accepted before branching to the destination of RTE instruction. However, if the re-execution type exception is occurred, the operation cannot be guaranteed.

B. The user break is not accepted by the instruction in the delay slot of the RTE instruction.

(5) Changing the SR Register Value and Accepting Exception

A. When the MD or BL bit in the SR register is changed by the LDC instruction, the acceptance of the exception is determined by the changed SR value, starting from the next instruction.* In the completion type exception, an exception is accepted after the next instruction has been executed. However, an interrupt of completion type exception is accepted before the next instruction is executed.

Note: * When the LDC instruction for SR is executed, following instructions are fetched again and the instruction fetch exception is evaluated again by the changed SR.

Section 6 Floating-Point Unit (FPU)

6.1 Features

The FPU has the following features.

- Conforms to IEEE754 standard
- 32 single-precision floating-point registers (can also be referenced as 16 double-precision registers)
- Two rounding modes: Round to Nearest and Round to Zero
- Two denormalization modes: Flush to Zero and Treat Denormalized Number
- Six exception sources: FPU Error, Invalid Operation, Divide By Zero, Overflow, Underflow, and Inexact
- Comprehensive instructions: Single-precision, double-precision, graphics support, and system control
- In the SH-4A, the following three instructions are added on to the instruction set of the SH-4 FSRRA, FSCA, and FPCHG

When the FD bit in SR is set to 1, the FPU cannot be used, and an attempt to execute an FPU instruction will cause an FPU disable exception (general FPU disable exception or slot FPU disable exception).

6.2 Data Formats

6.2.1 Floating-Point Format

A floating-point number consists of the following three fields:

- Sign bit (s)
- Exponent field (e)
- Fraction field (f)

This LSI can handle single-precision and double-precision floating-point numbers, using the formats shown in figures 6.1 and 6.2.

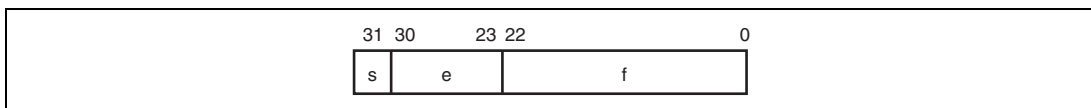


Figure 6.1 Format of Single-Precision Floating-Point Number

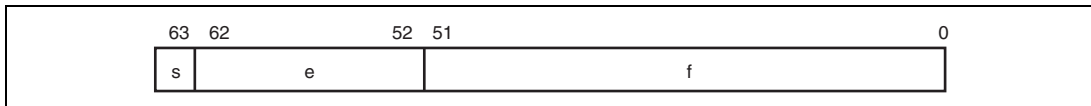


Figure 6.2 Format of Double-Precision Floating-Point Number

The exponent is expressed in biased form, as follows:

$$e = E + \text{bias}$$

The range of unbiased exponent E is $E_{\min} - 1$ to $E_{\max} + 1$. The two values $E_{\min} - 1$ and $E_{\max} + 1$ are distinguished as follows. $E_{\min} - 1$ indicates zero (both positive and negative sign) and a denormalized number, and $E_{\max} + 1$ indicates positive or negative infinity or a non-number (NaN). Table 6.1 shows floating-point formats and parameters.

Table 6.1 Floating-Point Number Formats and Parameters

Parameter	Single-Precision	Double-Precision
Total bit width	32 bits	64 bits
Sign bit	1 bit	1 bit
Exponent field	8 bits	11 bits
Fraction field	23 bits	52 bits
Precision	24 bits	53 bits
Bias	+127	+1023
E_{\max}	+127	+1023
E_{\min}	-126	-1022

Floating-point number value v is determined as follows:

If $E = E_{\max} + 1$ and $f \neq 0$, v is a non-number (NaN) irrespective of sign s

If $E = E_{\max} + 1$ and $f = 0$, $v = (-1)^s$ (infinity) [positive or negative infinity]

If $E_{\min} \leq E \leq E_{\max}$, $v = (-1)^s 2^E$ (1.f) [normalized number]

If $E = E_{\min} - 1$ and $f \neq 0$, $v = (-1)^s 2^{E_{\min}}$ (0.f) [denormalized number]

If $E = E_{\min} - 1$ and $f = 0$, $v = (-1)^s 0$ [positive or negative zero]

Table 6.2 shows the ranges of the various numbers in hexadecimal notation. For the signaling non-number and quiet non-number, see section 6.2.2, Non-Numbers (NaN). For the denormalized number, see section 6.2.3, Denormalized Numbers.

Table 6.2 Floating-Point Ranges

Type	Single-Precision	Double-Precision
Signaling non-number	H'7FFF FFFF to H'7FC0 0000	H'7FFF FFFF FFFF FFFF to H'7FF8 0000 0000 0000
Quiet non-number	H'7FBF FFFF to H'7F80 0001	H'7FF7 FFFF FFFF FFFF to H'7FF0 0000 0000 0001
Positive infinity	H'7F80 0000	H'7FF0 0000 0000 0000
Positive normalized number	H'7F7F FFFF to H'0080 0000	H'7FEF FFFF FFFF FFFF to H'0010 0000 0000 0000
Positive denormalized number	H'007F FFFF to H'0000 0001	H'000F FFFF FFFF FFFF to H'0000 0000 0000 0001
Positive zero	H'0000 0000	H'0000 0000 0000 0000
Negative zero	H'8000 0000	H'8000 0000 0000 0000
Negative denormalized number	H'8000 0001 to H'807F FFFF	H'8000 0000 0000 0001 to H'800F FFFF FFFF FFFF
Negative normalized number	H'8080 0000 to H'FF7F FFFF	H'8010 0000 0000 0000 to H'FFEF FFFF FFFF FFFF
Negative infinity	H'FF80 0000	H'FFF0 0000 0000 0000
Quiet non-number	H'FF80 0001 to H'FFBF FFFF	H'FFF0 0000 0000 0001 to H'FFF7 FFFF FFFF FFFF
Signaling non-number	H'FFC0 0000 to H'FFFF FFFF	H'FFF8 0000 0000 0000 to H'FFFF FFFF FFFF FFFF

6.2.2 Non-Numbers (NaN)

Figure 6.3 shows the bit pattern of a non-number (NaN). A value is NaN in the following case:

- Sign bit: Don't care
- Exponent field: All bits are 1
- Fraction field: At least one bit is 1

The NaN is a signaling NaN (sNaN) if the MSB of the fraction field is 1, and a quiet NaN (qNaN) if the MSB is 0.

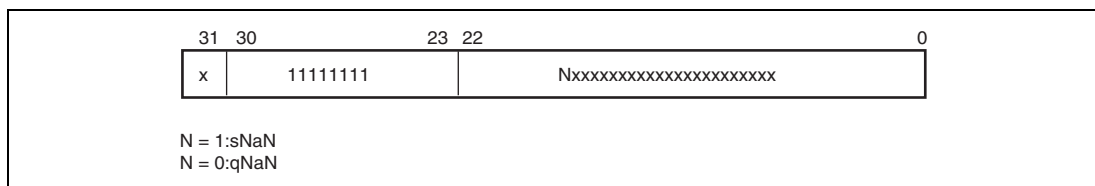


Figure 6.3 Single-Precision NaN Bit Pattern

An sNaN is assumed to be the input data in an operation, except the transfer instructions between registers, FABS, and FNEG, that generates a floating-point value.

- When the EN.V bit in FPSCR is 0, the operation result (output) is a qNaN.
- When the EN.V bit in FPSCR is 1, an invalid operation exception will be generated. In this case, the contents of the operation destination register are unchanged.

Following three instructions are used as transfer instructions between registers.

- FMOV FRm,FRn
- FLDS FRm,FPUL
- FSTS FPUL,FRn

If a qNaN is input in an operation that generates a floating-point value, and an sNaN has not been input in that operation, the output will always be a qNaN irrespective of the setting of the EN.V bit in FPSCR. An exception will not be generated in this case.

The qNaN values as operation results are as follows:

- Single-precision qNaN: H'7FBF FFFF
- Double-precision qNaN: H'7FF7 FFFF FFFF FFFF

See section 10, Instruction Descriptions of the SH-4A Extended Functions Software Manual for details of floating-point operations when a non-number (NaN) is input.

6.2.3 Denormalized Numbers

For a denormalized number floating-point value, the exponent field is expressed as 0, and the fraction field as a non-zero value.

When the DN bit in FPSCR of the FPU is 1, a denormalized number (source operand or operation result) is always positive or negative zero in a floating-point operation that generates a value (an operation other than transfer instructions between registers, FNEG, or FABS).

When the DN bit in FPSCR is 0, a denormalized number (source operand or operation result) is processed as it is. See section 10, Instruction Descriptions of the SH-4A Extended Functions Software Manual for details of floating-point operations when a denormalized number is input.

6.3 Register Descriptions

6.3.1 Floating-Point Registers

Figure 6.4 shows the floating-point register configuration. There are thirty-two 32-bit floating-point registers comprised with two banks: FPR0_BANK0 to FPR15_BANK0, and FPR0_BANK1 to FPR15_BANK1. These thirty-two registers are referenced as FR0 to FR15, DR0/2/4/6/8/10/12/14, FV0/4/8/12, XF0 to XF15, XD0/2/4/6/8/10/12/14, and XMTRX. Corresponding registers to FPR0_BANK0 to FPR15_BANK0, and FPR0_BANK1 to FPR15_BANK1 are determined according to the FR bit of FPSCR.

1. Floating-point registers, FPR_i_BANK_j (32 registers)
 FPR0_BANK0 to FPR15_BANK0
 FPR0_BANK1 to FPR15_BANK1
2. Single-precision floating-point registers, FR_i (16 registers)
 When FPSCR.FR = 0, FR0 to FR15 are allocated to FPR0_BANK0 to FPR15_BANK0;
 when FPSCR.FR = 1, FR0 to FR15 are allocated to FPR0_BANK1 to FPR15_BANK1.
3. Double-precision floating-point registers, DR_i (8 registers): A DR register comprises two FR registers.
 DR0 = {FR0, FR1}, DR2 = {FR2, FR3}, DR4 = {FR4, FR5}, DR6 = {FR6, FR7},
 DR8 = {FR8, FR9}, DR10 = {FR10, FR11}, DR12 = {FR12, FR13}, DR14 = {FR14, FR15}
4. Single-precision floating-point vector registers, FV_i (4 registers): An FV register comprises four FR registers.
 FV0 = {FR0, FR1, FR2, FR3}, FV4 = {FR4, FR5, FR6, FR7},
 FV8 = {FR8, FR9, FR10, FR11}, FV12 = {FR12, FR13, FR14, FR15}
5. Single-precision floating-point extended registers, XF_i (16 registers)
 When FPSCR.FR = 0, XF0 to XF15 are allocated to FPR0_BANK1 to FPR15_BANK1;
 when FPSCR.FR = 1, XF0 to XF15 are allocated to FPR0_BANK0 to FPR15_BANK0.
6. Double-precision floating-point extended registers, XD_i (8 registers): An XD register comprises two XF registers.
 XD0 = {XF0, XF1}, XD2 = {XF2, XF3}, XD4 = {XF4, XF5}, XD6 = {XF6, XF7},
 XD8 = {XF8, XF9}, XD10 = {XF10, XF11}, XD12 = {XF12, XF13}, XD14 = {XF14, XF15}

7. Single-precision floating-point extended register matrix, XMTRX: XMTRX comprises all 16 XF registers.

$$\text{XMTRX} = \begin{bmatrix} \text{XF0} & \text{XF4} & \text{XF8} & \text{XF12} \\ \text{XF1} & \text{XF5} & \text{XF9} & \text{XF13} \\ \text{XF2} & \text{XF6} & \text{XF10} & \text{XF14} \\ \text{XF3} & \text{XF7} & \text{XF11} & \text{XF15} \end{bmatrix}$$

FPSCR.FR = 0				FPSCR.FR = 1			
FV0	DR0	FR0	FPR0 BANK0	XF0	XD0	XMTRX	
		FR1	FPR1 BANK0	XF1			
FV4	DR2	FR2	FPR2 BANK0	XF2	XD2		
		FR3	FPR3 BANK0	XF3			
FV8	DR4	FR4	FPR4 BANK0	XF4	XD4		
		FR5	FPR5 BANK0	XF5			
FV8	DR6	FR6	FPR6 BANK0	XF6	XD6		
		FR7	FPR7 BANK0	XF7			
FV8	DR8	FR8	FPR8 BANK0	XF8	XD8		
		FR9	FPR9 BANK0	XF9			
FV12	DR10	FR10	FPR10 BANK0	XF10	XD10		
		FR11	FPR11 BANK0	XF11			
FV12	DR12	FR12	FPR12 BANK0	XF12	XD12		
		FR13	FPR13 BANK0	XF13			
FV12	DR14	FR14	FPR14 BANK0	XF14	XD14		
		FR15	FPR15 BANK0	XF15			
XMTRX	XD0	XF0	FPR0 BANK1	FR0	DR0	FV0	
		XF1	FPR1 BANK1	FR1	DR2		
XMTRX	XD2	XF2	FPR2 BANK1	FR2	DR2		
		XF3	FPR3 BANK1	FR3			
XMTRX	XD4	XF4	FPR4 BANK1	FR4	DR4	FV4	
		XF5	FPR5 BANK1	FR5			
XMTRX	XD6	XF6	FPR6 BANK1	FR6	DR6		
		XF7	FPR7 BANK1	FR7			
XMTRX	XD8	XF8	FPR8 BANK1	FR8	DR8	FV8	
		XF9	FPR9 BANK1	FR9			
XMTRX	XD10	XF10	FPR10 BANK1	FR10	DR10		
		XF11	FPR11 BANK1	FR11			
XMTRX	XD12	XF12	FPR12 BANK1	FR12	DR12	FV12	
		XF13	FPR13 BANK1	FR13			
XMTRX	XD14	XF14	FPR14 BANK1	FR14	DR14		
		XF15	FPR15 BANK1	FR15			

Figure 6.4 Floating-Point Registers

6.3.2 Floating-Point Status/Control Register (FPSCR)

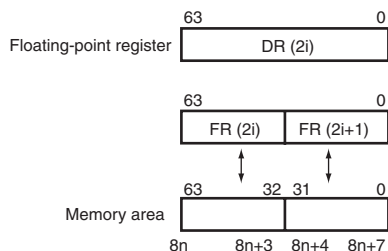
bit:	31	30	29	28	27	26	25	24	23	22	21	20	19	18	17	16
	—	—	—	—	—	—	—	—	—	—	FR	SZ	PR	DN	Cause	
Initial value:	0	0	0	0	0	0	0	0	0	0	0	0	0	1	0	0
R/W:	R	R	R	R	R	R	R	R	R	R	R/W	R/W	R/W	R/W	R/W	R/W

bit:	15	14	13	12	11	10	9	8	7	6	5	4	3	2	1	0
	Cause				Enable (EN)						Flag				RM	
Initial value:	0	0	0	0	0	0	0	0	0	0	0	0	0	0	0	1
R/W:	R/W	R/W	R/W	R/W	R/W	R/W	R/W	R/W	R/W	R/W	R/W	R/W	R/W	R/W	R/W	R/W

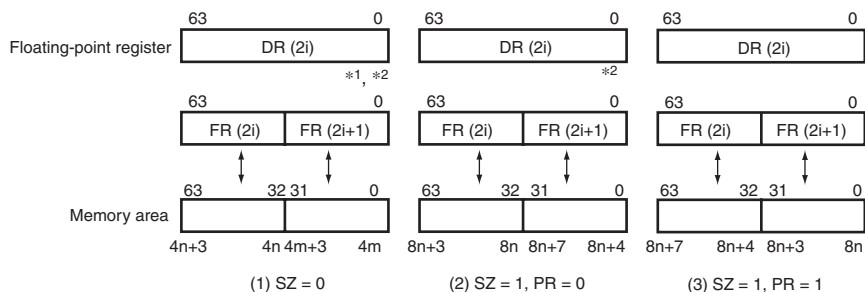
Bit	Bit Name	Initial Value	R/W	Description
31 to 22	—	All 0	R	Reserved These bits are always read as 0. The write value should always be 0.
21	FR	0	R/W	Floating-Point Register Bank 0: FPR0_BANK0 to FPR15_BANK0 are assigned to FR0 to FR15 and FPR0_BANK1 to FPR15_BANK1 are assigned to XF0 to XF15 1: FPR0_BANK0 to FPR15_BANK0 are assigned to XF0 to XF15 and FPR0_BANK1 to FPR15_BANK1 are assigned to FR0 to FR15
20	SZ	0	R/W	Transfer Size Mode 0: Data size of FMOV instruction is 32-bits 1: Data size of FMOV instruction is a 32-bit register pair (64 bits) For relations between endian and the SZ and PR bits, see figure 6.5.
19	PR	0	R/W	Precision Mode 0: Floating-point instructions are executed as single-precision operations 1: Floating-point instructions are executed as double-precision operations (graphics support instructions are undefined) For relations between endian and the SZ and PR bits, see figure 6.5.
18	DN	1	R/W	Denormalization Mode 0: Denormalized number is treated as such 1: Denormalized number is treated as zero

Bit	Bit Name	Initial Value	R/W	Description
17 to 12	Cause	All 0	R/W	FPU Exception Cause Field
11 to 7	Enable	All 0	R/W	FPU Exception Enable Field
6 to 2	Flag	All 0	R/W	FPU Exception Flag Field
				Each time an FPU operation instruction is executed, the FPU exception cause field is cleared to 0. When an FPU exception occurs, the bits corresponding to FPU exception cause field and flag field are set to 1. The FPU exception flag field remains set to 1 until it is cleared to 0 by software. For bit allocations of each field, see table 6.3.
1	RM1	0	R/W	Rounding Mode
0	RM0	1	R/W	These bits select the rounding mode. 00: Round to Nearest 01: Round to Zero 10: Reserved 11: Reserved

<Big endian>



<Little endian>



Notes: 1. In the case of $SZ = 0$ and $PR = 0$, DR register can not be used.

2. The bit-location of DR register is used for double precision format when $PR = 1$.
(In the case of (2), it is used when PR is changed from 0 to 1.)

Figure 6.5 Relation between SZ Bit and Endian

Table 6.3 Bit Allocation for FPU Exception Handling

	Field Name	FPU Error (E)	Invalid Operation (V)	Division by Zero (Z)	Overflow (O)	Underflow (U)	Inexact (I)
Cause	FPU exception cause field	Bit 17	Bit 16	Bit 15	Bit 14	Bit 13	Bit 12
Enable	FPU exception enable field	None	Bit 11	Bit 10	Bit 9	Bit 8	Bit 7
Flag	FPU exception flag field	None	Bit 6	Bit 5	Bit 4	Bit 3	Bit 2

6.3.3 Floating-Point Communication Register (FPUL)

Information is transferred between the FPU and CPU via FPUL. FPUL is a 32-bit system register that is accessed from the CPU side by means of LDS and STS instructions. For example, to convert the integer stored in general register R1 to a single-precision floating-point number, the processing flow is as follows:

R1 → (LDS instruction) → FPUL → (single-precision FLOAT instruction) → FR1

6.4 Rounding

In a floating-point instruction, rounding is performed when generating the final operation result from the intermediate result. Therefore, the result of combination instructions such as FMAC, FTRV, and FIPR will differ from the result when using a basic instruction such as FADD, FSUB, or FMUL. Rounding is performed once in FMAC, but twice in FADD, FSUB, and FMUL.

Which of the two rounding methods is to be used is determined by the RM bits in FPSCR.

FPSCR.RM[1:0] = 00: Round to Nearest

FPSCR.RM[1:0] = 01: Round to Zero

(1) Round to Nearest

The operation result is rounded to the nearest expressible value. If there are two nearest expressible values, the one with an LSB of 0 is selected.

If the unrounded value is $2^{E_{\max}} (2 - 2^{-P})$ or more, the result will be infinity with the same sign as the unrounded value. The values of E_{\max} and P , respectively, are 127 and 24 for single-precision, and 1023 and 53 for double-precision.

(2) Round to Zero

The digits below the round bit of the unrounded value are discarded.

If the unrounded value is larger than the maximum expressible absolute value, the value will become the maximum expressible absolute value with the same sign as unrounded value.

6.5 Floating-Point Exceptions

6.5.1 General FPU Disable Exceptions and Slot FPU Disable Exceptions

FPU-related exceptions are occurred when an FPU instruction is executed with SR.FD set to 1. When the FPU instruction is in other than delayed slot, the general FPU disable exception is occurred. When the FPU instruction is in the delay slot, the slot FPU disable exception is occurred.

6.5.2 FPU Exception Sources

The exception sources are as follows:

- FPU error (E): When FPSCR.DN = 0 and a denormalized number is input
- Invalid operation (V): In case of an invalid operation, such as NaN input
- Division by zero (Z): Division with a zero divisor
- Overflow (O): When the operation result overflows
- Underflow (U): When the operation result underflows
- Inexact exception (I): When overflow, underflow, or rounding occurs

The FPU exception cause field in FPSCR contains bits corresponding to all of above sources E, V, Z, O, U, and I, and the FPU exception flag and enable fields in FPSCR contain bits corresponding to sources V, Z, O, U, and I, but not E. Thus, FPU errors cannot be disabled.

When an FPU exception occurs, the corresponding bit in the FPU exception cause field is set to 1, and 1 is added to the corresponding bit in the FPU exception flag field. When an FPU exception does not occur, the corresponding bit in the FPU exception cause field is cleared to 0, but the corresponding bit in the FPU exception flag field remains unchanged.

6.5.3 FPU Exception Handling

FPU exception handling is initiated in the following cases:

- FPU error (E): FPSCR.DN = 0 and a denormalized number is input
- Invalid operation (V): FPSCR.Enable.V = 1 and (instruction = FTRV or invalid operation)
- Division by zero (Z): FPSCR.Enable.Z = 1 and division with a zero divisor or the input of FSRRA is zero
- Overflow (O): FPSCR.Enable.O = 1 and possibility of operation result overflow
- Underflow (U): FPSCR.Enable.U = 1 and possibility of operation result underflow
- Inexact exception (I): FPSCR.Enable.I = 1 and instruction with possibility of inexact operation result

Please refer section 11, Instruction Descriptions of the SH-4A Extended Functions Software Manual about the FPU exception case in detail.

All exception events that originate in the FPU are assigned as the same exception event. The meaning of an exception is determined by software by reading from FPSCR and interpreting the information it contains. Also, the destination register is not changed by any FPU exception handling operation.

If the FPU exception sources except for above are generated, the bit corresponding to source V, Z, O, U, or I is set to 1, and a default value is generated as the operation result.

- Invalid operation (V): qNaN is generated as the result.
- Division by zero (Z): Infinity with the same sign as the unrounded value is generated.
- Overflow (O):
 - When rounding mode = RZ, the maximum normalized number, with the same sign as the unrounded value, is generated.
 - When rounding mode = RN, infinity with the same sign as the unrounded value is generated.
- Underflow (U):
 - When FPSCR.DN = 0, a denormalized number with the same sign as the unrounded value, or zero with the same sign as the unrounded value, is generated.
 - When FPSCR.DN = 1, zero with the same sign as the unrounded value, is generated.
- Inexact exception (I): An inexact result is generated.

6.6 Graphics Support Functions

This LSI supports two kinds of graphics functions: new instructions for geometric operations, and pair single-precision transfer instructions that enable high-speed data transfer.

6.6.1 Geometric Operation Instructions

Geometric operation instructions perform approximate-value computations. To enable high-speed computation with a minimum of hardware, this LSI ignores comparatively small values in the partial computation results of four multiplications. Consequently, the error shown below is produced in the result of the computation:

$$\text{Maximum error} = \text{MAX}(\text{individual multiplication result} \times 2^{-\text{MIN}(\text{number of multiplier significant digits}-1, \text{number of multiplicand significant digits}-1)}) + \text{MAX}(\text{result value} \times 2^{-23}, 2^{-149})$$

The number of significant digits is 24 for a normalized number and 23 for a denormalized number (number of leading zeros in the fractional part).

In a future version of the SH Series, the above error is guaranteed, but the same result between different processor cores is not guaranteed.

(1) FIPR FVm, FVn (m, n: 0, 4, 8, 12)

This instruction is basically used for the following purposes:

- Inner product (m ≠ n):
This operation is generally used for surface/rear surface determination for polygon surfaces.
- Sum of square of elements (m = n):
This operation is generally used to find the length of a vector.

Since an inexact exception is not detected by an FIPR instruction, the inexact exception (I) bit in both the FPU exception cause field and flag field are always set to 1 when an FIPR instruction is executed. Therefore, if the I bit is set in the FPU exception enable field, FPU exception handling will be executed.

(2) FTRV XMTRX, FVn (n: 0, 4, 8, 12)

This instruction is basically used for the following purposes:

- Matrix (4×4) · vector (4):
This operation is generally used for viewpoint changes, angle changes, or movements called vector transformations (4-dimensional). Since affine transformation processing for angle + parallel movement basically requires a 4×4 matrix, this LSI supports 4-dimensional operations.
- Matrix (4×4) × matrix (4×4):
This operation requires the execution of four FTRV instructions.

Since an inexact exception is not detected by an FIRV instruction, the inexact exception (I) bit in both the FPU exception cause field and flag field are always set to 1 when an FTRV instruction is executed. Therefore, if the I bit is set in the FPU exception enable field, FPU exception handling will be executed. It is not possible to check all data types in the registers beforehand when executing an FTRV instruction. If the V bit is set in the FPU exception enable field, FPU exception handling will be executed.

(3) FRCHG

This instruction modifies banked registers. For example, when the FTRV instruction is executed, matrix elements must be set in an array in the background bank. However, to create the actual elements of a translation matrix, it is easier to use registers in the foreground bank. When the LDS instruction is used on FPSCR, this instruction takes four to five cycles in order to maintain the FPU state. With the FRCHG instruction, the FR bit in FPSCR can be changed in one cycle.

6.6.2 Pair Single-Precision Data Transfer

In addition to the powerful new geometric operation instructions, this LSI also supports high-speed data transfer instructions.

When the SZ bit is 1, this LSI can perform data transfer by means of pair single-precision data transfer instructions.

- FMOV DRm/XDm, DRn/XDRn (m, n: 0, 2, 4, 6, 8, 10, 12, 14)
- FMOV DRm/XDm, @Rn (m: 0, 2, 4, 6, 8, 10, 12, 14; n: 0 to 15)

These instructions enable two single-precision (2×32 -bit) data items to be transferred; that is, the transfer performance of these instructions is doubled.

- FSCHG

This instruction changes the value of the SZ bit in FPSCR, enabling fast switching between use and non-use of pair single-precision data transfer.

Section 7 Memory Management Unit (MMU)

This LSI supports an 8-bit address space identifier, a 32-bit virtual address space, and a 29-bit or 32-bit physical address space. Address translation from virtual addresses to physical addresses is enabled by the memory management unit (MMU) in this LSI. The MMU performs high-speed address translation by caching user-created address translation table information in an address translation buffer (translation lookaside buffer: TLB).

This LSI has four instruction TLB (ITLB) entries and 64 unified TLB (UTLB) entries. UTLB copies are stored in the ITLB by hardware. A paging system is used for address translation. It is possible to set the virtual address space access right and implement memory protection independently for privileged mode and user mode.

The MMU of this LSI runs in several operating modes. In view of physical address mapping ranges, 29-bit address mode and 32-bit address extended mode are provided. In view of flag functions of the MMU, TLB compatible mode (four paging sizes with four protection bits) and TLB extended mode (eight paging sizes with six protection bits) are provided.

Selection between 29-bit address mode and 32-bit address extended mode is made by setting the relevant control register (bit SE in the PASCRC register) by software. This LSI supports 32-bit boot mode (the system starts up in 32-bit address extended mode at power-on reset), which is specified through external pins.

Selection between TLB compatible mode and TLB extended mode is made by setting the relevant control register (bit ME in the MMUCR register) by software. The range of physical address mapping is explained through sections 7.1, Overview of MMU, to 7.7, Memory-Mapped TLB Configuration, for the case of 29-bit address mode, which is followed by section 7.8, 32-Bit Address Extended Mode, where differences from 29-bit address mode are explained.

The flag functions of the MMU are explained in parallel for both TLB compatible mode and TLB extended mode.

7.1 Overview of MMU

The MMU was conceived as a means of making efficient use of physical memory. As shown in (0) in figure 7.1, when a process is smaller in size than the physical memory, the entire process can be mapped onto physical memory, but if the process increases in size to the point where it does not fit into physical memory, it becomes necessary to divide the process into smaller parts, and map the parts requiring execution onto physical memory as occasion arises ((1) in figure 7.1). Having this mapping onto physical memory executed consciously by the process itself imposes a heavy burden on the process. The virtual memory system was devised as a means of handling all physical memory mapping to reduce this burden ((2) in figure 7.1). With a virtual memory system, the size of the available virtual memory is much larger than the actual physical memory, and processes are mapped onto this virtual memory. Thus processes only have to consider their operation in virtual memory, and mapping from virtual memory to physical memory is handled by the MMU. The MMU is normally managed by the OS, and physical memory switching is carried out so as to enable the virtual memory required by a process to be mapped smoothly onto physical memory. Physical memory switching is performed via secondary storage, etc.

The virtual memory system that came into being in this way works to best effect in a time sharing system (TSS) that allows a number of processes to run simultaneously ((3) in figure 7.1). Running a number of processes in a TSS did not increase efficiency since each process had to take account of physical memory mapping. Efficiency is improved and the load on each process reduced by the use of a virtual memory system ((4) in figure 7.1). In this virtual memory system, virtual memory is allocated to each process. The task of the MMU is to map a number of virtual memory areas onto physical memory in an efficient manner. It is also provided with memory protection functions to prevent a process from inadvertently accessing another process's physical memory.

When address translation from virtual memory to physical memory is performed using the MMU, it may happen that the translation information has not been recorded in the MMU, or the virtual memory of a different process is accessed by mistake. In such cases, the MMU will generate an exception, change the physical memory mapping, and record the new address translation information.

Although the functions of the MMU could be implemented by software alone, having address translation performed by software each time a process accessed physical memory would be very inefficient. For this reason, a buffer for address translation (the translation lookaside buffer: TLB) is provided by hardware, and frequently used address translation information is placed here. The TLB can be described as a cache for address translation information. However, unlike a cache, if address translation fails—that is, if an exception occurs—switching of the address translation information is normally performed by software. Thus memory management can be performed in a flexible manner by software.

There are two methods by which the MMU can perform mapping from virtual memory to physical memory: the paging method, using fixed-length address translation, and the segment method, using variable-length address translation. With the paging method, the unit of translation is a fixed-size address space called a page.

In the following descriptions, the address space in virtual memory in this LSI is referred to as virtual address space, and the address space in physical memory as physical address space.

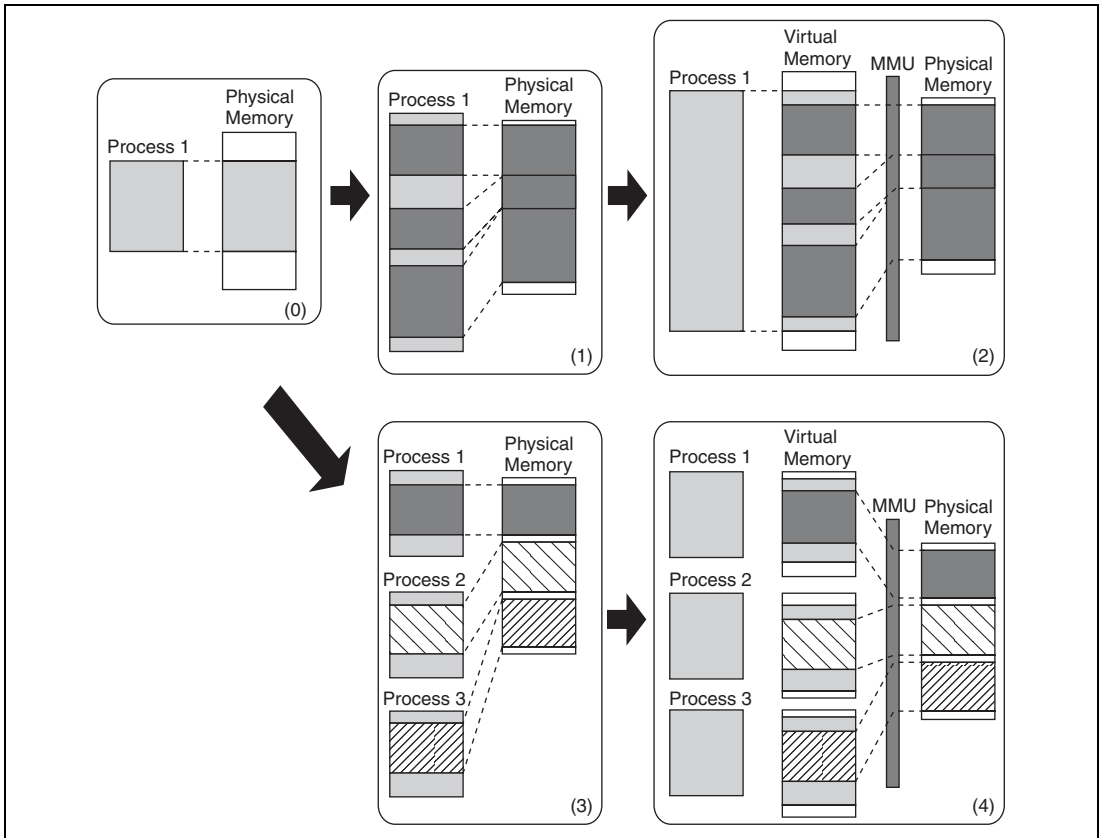


Figure 7.1 Role of MMU

7.1.1 Address Spaces

(1) Virtual Address Space

This LSI supports a 32-bit virtual address space, and can access a 4-Gbyte address space. The virtual address space is divided into a number of areas, as shown in figures 7.2 and 7.3. In privileged mode, the 4-Gbyte space from the P0 area to the P4 area can be accessed. In user mode, a 2-Gbyte space in the U0 area can be accessed. When the SQMD bit in the MMU control register (MMUCR) is 0, a 64-Mbyte space in the store queue area can be accessed. When the RMD bit in the on-chip memory control register (RAMCR) is 1, a 16-Mbyte space in on-chip memory area can be accessed. Accessing areas other than the U0 area, store queue area, and on-chip memory area in user mode will cause an address error.

When the AT bit in MMUCR is set to 1 and the MMU is enabled, the P0, P3, and U0 areas can be mapped onto any physical address space in 1-, 4-, 64-Kbyte, or 1-Mbyte page units in TLB compatible mode and in 1-, 4-, 8-, 64-, 256-Kbyte, 1-, 4-, or 64-Mbyte page units in TLB extended mode. By using an 8-bit address space identifier, the P0, P3, and U0 areas can be increased to a maximum of 256. Mapping from the virtual address space to the 29-bit physical address space is carried out using the TLB.

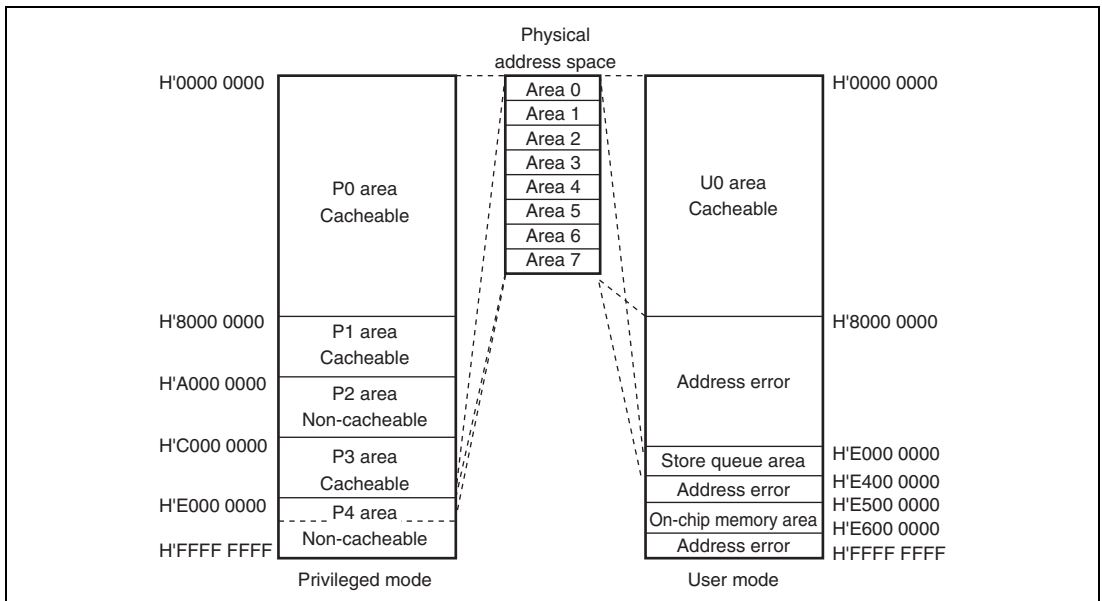


Figure 7.2 Virtual Address Space (AT in MMUCR = 0)

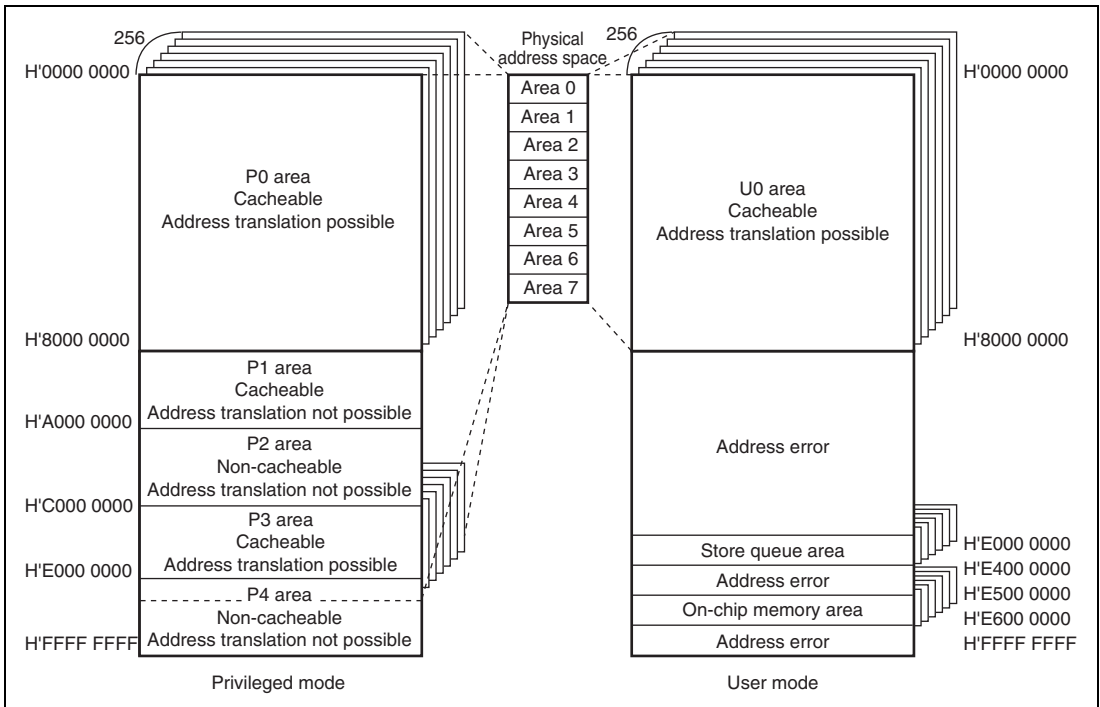


Figure 7.3 Virtual Address Space (AT in MMUCR = 1)

(a) P0, P3, and U0 Areas

The P0, P3, and U0 areas allow address translation using the TLB and access using the cache. When the MMU is disabled, replacing the upper 3 bits of an address with 0s gives the corresponding physical address. Whether or not the cache is used is determined by the CCR setting. When the cache is used, switching between the copy-back method and the write-through method for write accesses is specified by the WT bit in CCR.

When the MMU is enabled, these areas can be mapped onto any physical address space in 1-, 4-, 64-Kbyte, or 1-Mbyte page units in TLB compatible mode and in 1-, 4-, 8-, 64, 256-Kbyte, 1-, 4-, or 64-Mbyte page units in TLB extended mode using the TLB. When CCR is in the cache enabled state and the C bit for the corresponding page of the TLB entry is 1, accesses can be performed using the cache. When the cache is used, switching between the copy-back method and the write-through method for write accesses is specified by the WT bit of the TLB entry.

When the P0, P3, and U0 areas are mapped onto the control register area which is allocated in the area 7 in physical address space by means of the TLB, the C bit for the corresponding page must be cleared to 0.

(b) P1 Area

The P1 area does not allow address translation using the TLB but can be accessed using the cache.

Regardless of whether the MMU is enabled or disabled, clearing the upper 3 bits of an address to 0 gives the corresponding physical address. Whether or not the cache is used is determined by the CCR setting. When the cache is used, switching between the copy-back method and the write-through method for write accesses is specified by the CB bit in CCR.

(c) P2 Area

The P2 area does not allow address translation using the TLB and access using the cache.

Regardless of whether the MMU is enabled or disabled, clearing the upper 3 bits of an address to 0 gives the corresponding physical address.

(d) P4 Area

The P4 area is mapped onto the internal resource of this LSI. This area except the store queue and on-chip memory areas does not allow address translation using the TLB. This area cannot be accessed using the cache. The P4 area is shown in detail in figure 7.4.

H'E000 0000	Store queue
H'E400 0000	Reserved area
H'E500 0000	On-chip memory area
H'E600 0000	Reserved area
H'F000 0000	Instruction cache address array
H'F100 0000	Instruction cache data array
H'F200 0000	Instruction TLB address array
H'F300 0000	Instruction TLB data array
H'F400 0000	Operand cache address array
H'F500 0000	Operand cache data array
H'F600 0000	Unified TLB and PMB address array
H'F700 0000	Unified TLB and PMB data array
H'F800 0000	Reserved area
H'FC00 0000	Control register area
H'FFFF FFFF	

Figure 7.4 P4 Area

The area from H'E000 0000 to H'E3FF FFFF comprises addresses for accessing the store queues (SQs). In user mode, the access right is specified by the SQMD bit in MMUCR. For details, see section 8.7, Store Queues.

The area from H'E500 0000 to H'E5FF FFFF comprises addresses for accessing the on-chip memory. In user mode, the access right is specified by the RMD bit in RAMCR. For details, see section 9, On-Chip Memory.

The area from H'F000 0000 to H'F0FF FFFF is used for direct access to the instruction cache address array. For details, see section 8.6.1, IC Address Array.

The area from H'F100 0000 to H'F1FF FFFF is used for direct access to the instruction cache data array. For details, see section 8.6.2, IC Data Array.

The area from H'F200 0000 to H'F2FF FFFF is used for direct access to the instruction TLB address array. For details, see section 7.7.1, ITLB Address Array.

The area from H'F300 0000 to H'F37F FFFF is used for direct access to instruction TLB data array. For details, see section 7.7.2, ITLB Data Array (TLB Compatible Mode) and section 7.7.3, ITLB Data Array (TLB Extended Mode).

The area from H'F400 0000 to H'F4FF FFFF is used for direct access to the operand cache address array. For details, see section 8.6.3, OC Address Array.

The area from H'F500 0000 to H'F5FF FFFF is used for direct access to the operand cache data array. For details, see section 8.6.4, OC Data Array.

The area from H'F600 0000 to H'F60F FFFF is used for direct access to the unified TLB address array. For details, see section 7.7.4, UTLB Address Array.

The area from H'F610 0000 to H'F61F FFFF is used for direct access to the PMB address array. For details, see section 7.8.5, Memory-Mapped PMB Configuration.

The area from H'F700 0000 to H'F70F FFFF is used for direct access to unified TLB data array. For details, see section 7.7.5, UTLB Data Array (TLB Compatible Mode) and 7.7.6, UTLB Data Array (TLB Extended Mode).

The area from H'F710 0000 to H'F71F FFFF is used for direct access to the PMB data array. For details, see section 7.8.5, Memory-Mapped PMB Configuration.

The area from H'FC00 0000 to H'FFFF FFFF is the on-chip peripheral module control register area. For details, see register descriptions in each section of the hardware manual of the product.

(2) Physical Address Space

This LSI supports a 29-bit physical address space. The physical address space is divided into eight areas as shown in figure 7.5. Area 7 is a reserved area. For details, see section 11, Local Bus State Controller (LBSC) section of the hardware manual of the product.

Only when area 7 in the physical address space is accessed using the TLB, addresses H'1C00 0000 to H'1FFF FFFF of area 7 are not designated as a reserved area, but are equivalent to the control register area in the P4 area, in the virtual address space.

H'0000 0000	Area 0
H'0400 0000	Area 1
H'0800 0000	Area 2
H'0C00 0000	Area 3
H'1000 0000	Area 4
H'1400 0000	Area 5
H'1800 0000	Area 6
H'1C00 0000 H'1FFF FFFF	Area 7 (reserved area)

Figure 7.5 Physical Address Space

(3) Address Translation

When the MMU is used, the virtual address space is divided into units called pages, and translation to physical addresses is carried out in these page units. The address translation table in external memory contains the physical addresses corresponding to virtual addresses and additional information such as memory protection codes. Fast address translation is achieved by caching the contents of the address translation table located in external memory into the TLB. In this LSI, basically, the ITLB is used for instruction accesses and the UTLB for data accesses. In the event of an access to an area other than the P4 area, the accessed virtual address is translated to a physical address. If the virtual address belongs to the P1 or P2 area, the physical address is uniquely determined without accessing the TLB. If the virtual address belongs to the P0, U0, or P3 area, the TLB is searched using the virtual address, and if the virtual address is recorded in the TLB, a TLB hit is made and the corresponding physical address is read from the TLB. If the accessed virtual address is not recorded in the TLB, a TLB miss exception is generated and processing switches to the TLB miss exception handling routine. In the TLB miss exception handling routine, the address translation table in external memory is searched, and the corresponding physical address and page management information are recorded in the TLB. After

the return from the exception handling routine, the instruction which caused the TLB miss exception is re-executed.

(4) Single Virtual Memory Mode and Multiple Virtual Memory Mode

There are two virtual memory systems, single virtual memory and multiple virtual memory, either of which can be selected with the SV bit in MMUCR. In the single virtual memory system, a number of processes run simultaneously, using virtual address space on an exclusive basis, and the physical address corresponding to a particular virtual address is uniquely determined. In the multiple virtual memory system, a number of processes run while sharing the virtual address space, and particular virtual addresses may be translated into different physical addresses depending on the process. The only difference between the single virtual memory and multiple virtual memory systems in terms of operation is in the TLB address comparison method (see section 7.3.3, Address Translation Method).

(5) Address Space Identifier (ASID)

In multiple virtual memory mode, an 8-bit address space identifier (ASID) is used to distinguish between multiple processes running simultaneously while sharing the virtual address space. Software can set the 8-bit ASID of the currently executing process in PTEH in the MMU. The TLB does not have to be purged when processes are switched by means of ASID.

In single virtual memory mode, ASID is used to provide memory protection for multiple processes running simultaneously while using the virtual address space on an exclusive basis.

Note: Two or more entries with the same virtual page number (VPN) but different ASID must not be set in the TLB simultaneously in single virtual memory mode.

7.2 Register Descriptions

The following registers are related to MMU processing.

Table 7.1 Register Configuration

Register Name	Abbreviation	R/W	P4 Address*	Area 7 Address*	Size
Page table entry high register	PTEH	R/W	H'FF00 0000	H'1F00 0000	32
Page table entry low register	PTL	R/W	H'FF00 0004	H'1F00 0004	32
Translation table base register	TTB	R/W	H'FF00 0008	H'1F00 0008	32
TLB exception address register	TEA	R/W	H'FF00 000C	H'1F00 000C	32
MMU control register	MMUCR	R/W	H'FF00 0010	H'1F00 0010	32
Page table entry assistance register	PTEA	R/W	H'FF00 0034	H'1F00 0034	32
Physical address space control register	PASCR	R/W	H'FF00 0070	H'1F00 0070	32
Instruction re-fetch inhibit control register	IRMCR	R/W	H'FF00 0078	H'1F00 0078	32

Note: * These P4 addresses are for the P4 area in the virtual address space. These area 7 addresses are accessed from area 7 in the physical address space by means of the TLB.

Table 7.2 Register States in Each Processing State

Register Name	Abbreviation	Power-on Reset	Manual Reset	Sleep	Standby
Page table entry high register	PTEH	Undefined	Undefined	Retained	Retained
Page table entry low register	PTL	Undefined	Undefined	Retained	Retained
Translation table base register	TTB	Undefined	Undefined	Retained	Retained
TLB exception address register	TEA	Undefined	Retained	Retained	Retained
MMU control register	MMUCR	H'0000 0000	H'0000 0000	Retained	Retained
Page table entry assistance register	PTEA	H'0000 xxx0	H'0000 xxx0	Retained	Retained
Physical address space control register	PASCR	H'0000 0000	H'0000 0000	Retained	Retained

Register Name	Abbreviation	Power-on Reset	Manual Reset	Sleep	Standby
Instruction re-fetch inhibit control register	IRMCR	H'0000 0000	H'0000 0000	Retained	Retained

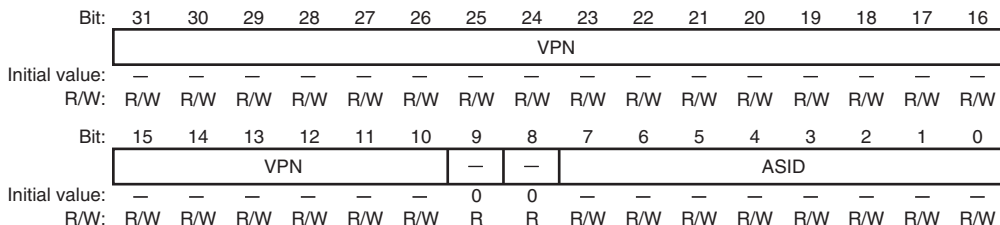
7.2.1 Page Table Entry High Register (PTEH)

PTEH consists of the virtual page number (VPN) and address space identifier (ASID). When an MMU exception or address error exception occurs, the VPN of the virtual address at which the exception occurred is set in the VPN bit by hardware. VPN varies according to the page size, but the VPN set by hardware when an exception occurs consists of the upper 22 bits of the virtual address which caused the exception. VPN setting can also be carried out by software. The number of the currently executing process is set in the ASID bit by software. ASID is not updated by hardware. VPN and ASID are recorded in the UTLB by means of the LDTLB instruction.

After the ASID field in PTEH has been updated, execute one of the following three methods before an access (including an instruction fetch) to the P0, P3, or U0 area that uses the updated ASID value is performed.

1. Execute a branch using the RTE instruction. In this case, the branch destination may be the P0, P3, or U0 area.
2. Execute the ICBI instruction for any address (including non-cacheable area).
3. If the R2 bit in IRMCR is 0 (initial value) before updating the ASID field, the specific instruction does not need to be executed. However, note that the CPU processing performance will be lowered because the instruction fetch is performed again for the next instruction after the ASID field has been updated.

Note that the method 3 may not be guaranteed in the future SuperH Series. Therefore, it is recommended that the method 1 or 2 should be used for being compatible with the future SuperH Series.



Bit	Bit Name	Initial Value	R/W	Description
31 to 10	VPN	Undefined	R/W	Virtual Page Number
9, 8	—	All 0	R	Reserved For details on reading from or writing to these bits, see description in General Precautions on Handling of Product.
7 to 0	ASID	Undefined	R/W	Address Space Identifier

7.2.2 Page Table Entry Low Register (PTEL)

PTEL is used to hold the physical page number and page management information to be recorded in the UTLB by means of the LDTLB instruction. The contents of this register are not changed unless a software directive is issued.

Bit:	31	30	29	28	27	26	25	24	23	22	21	20	19	18	17	16
	—	—	—	PPN												
Initial value:	0	0	0	—	—	—	—	—	—	—	—	—	—	—	—	—
R/W:	R	R	R	R/W	R/W	R/W	R/W	R/W	R/W	R/W	R/W	R/W	R/W	R/W	R/W	R/W
Bit:	15	14	13	12	11	10	9	8	7	6	5	4	3	2	1	0
	PPN						—	V	SZ1	PR1	PR0	SZ0	C	D	SH	WT
Initial value:	—	—	—	—	—	—	0	—	—	—	—	—	—	—	—	—
R/W:	R/W	R/W	R/W	R/W	R/W	R/W	R	R/W	R/W	R/W	R/W	R/W	R/W	R/W	R/W	R/W

Bit	Bit Name	Initial Value	R/W	Description
31 to 29	—	All 0	R	Reserved For details on reading from or writing to these bits, see description in General Precautions on Handling of Product.
28 to 10	PPN	Undefined	R/W	Physical Page Number
9	—	0	R	Reserved For details on reading from or writing to this bit, see description in General Precautions on Handling of Product.

Bit	Bit Name	Initial Value	R/W	Description
8	V	Undefined	R/W	Page Management Information
7	SZ1	Undefined	R/W	The meaning of each bit is same as that of corresponding bit in Common TLB (UTLB).
6	PR1	Undefined	R/W	For details, see section 7.3, TLB Functions (TLB Compatible Mode; MMUCR.ME = 0) and section 7.4, TLB Functions (TLB Extended Mode; MMUCR.ME = 1).
5	PR0	Undefined	R/W	
4	SZ0	Undefined	R/W	Note: SZ1, PR1, SZ0, and PR0 bits are valid only in TLB compatible mode.
3	C	Undefined	R/W	
2	D	Undefined	R/W	
1	SH	Undefined	R/W	
0	WT	Undefined	R/W	

7.2.3 Translation Table Base Register (TTB)

TTB is used to store the base address of the currently used page table, and so on. The contents of TTB are not changed unless a software directive is issued. This register can be used freely by software.

Bit:	31	30	29	28	27	26	25	24	23	22	21	20	19	18	17	16
	TTB															
Initial value:	—	—	—	—	—	—	—	—	—	—	—	—	—	—	—	—
R/W:	R/W	R/W	R/W	R/W	R/W	R/W	R/W	R/W	R/W	R/W	R/W	R/W	R/W	R/W	R/W	R/W
Bit:	15	14	13	12	11	10	9	8	7	6	5	4	3	2	1	0
	TTB															
Initial value:	—	—	—	—	—	—	—	—	—	—	—	—	—	—	—	—
R/W:	R/W	R/W	R/W	R/W	R/W	R/W	R/W	R/W	R/W	R/W	R/W	R/W	R/W	R/W	R/W	R/W

7.2.4 TLB Exception Address Register (TEA)

After an MMU exception or address error exception occurs, the virtual address at which the exception occurred is stored. The contents of this register can be changed by software.

Bit:	31	30	29	28	27	26	25	24	23	22	21	20	19	18	17	16
	TEA Virtual address at which MMU exception or address error occurred															
Initial value:	—	—	—	—	—	—	—	—	—	—	—	—	—	—	—	—
R/W:	R/W	R/W	R/W	R/W	R/W	R/W	R/W	R/W	R/W	R/W	R/W	R/W	R/W	R/W	R/W	R/W
Bit:	15	14	13	12	11	10	9	8	7	6	5	4	3	2	1	0
	TEA Virtual address at which MMU exception or address error occurred															
Initial value:	—	—	—	—	—	—	—	—	—	—	—	—	—	—	—	—
R/W:	R/W	R/W	R/W	R/W	R/W	R/W	R/W	R/W	R/W	R/W	R/W	R/W	R/W	R/W	R/W	R/W

7.2.5 MMU Control Register (MMUCR)

The individual bits perform MMU settings as shown below. Therefore, MMUCR rewriting should be performed by a program in the P1 or P2 area.

After MMUCR has been updated, execute one of the following three methods before an access (including an instruction fetch) to the P0, P3, U0, or store queue area is performed.

1. Execute a branch using the RTE instruction. In this case, the branch destination may be the P0, P3, or U0 area.
2. Execute the ICBI instruction for any address (including non-cacheable area).
3. If the R2 bit in IRMCR is 0 (initial value) before updating MMUCR, the specific instruction does not need to be executed. However, note that the CPU processing performance will be lowered because the instruction fetch is performed again for the next instruction after MMUCR has been updated.

Note that the method 3 may not be guaranteed in the future SuperH Series. Therefore, it is recommended that the method 1 or 2 should be used for being compatible with the future SuperH Series.

MMUCR contents can be changed by software. However, the LRUI and URC bits may also be updated by hardware.

Bit:	31	30	29	28	27	26	25	24	23	22	21	20	19	18	17	16
	LRUI						—	—	URB						—	—
Initial value:	0	0	0	0	0	0	0	0	0	0	0	0	0	0	0	0
R/W:	R/W	R/W	R/W	R/W	R/W	R/W	R	R	R/W	R/W	R/W	R/W	R/W	R/W	R	R
Bit:	15	14	13	12	11	10	9	8	7	6	5	4	3	2	1	0
	URC						SQMD	SV	ME	—	—	—	—	TI	—	AT
Initial value:	0	0	0	0	0	0	0	0	0	0	0	0	0	0	0	0
R/W:	R/W	R/W	R/W	R/W	R/W	R/W	R/W	R/W	R/W	R	R	R	R	R/W	R	R/W

Bit	Bit Name	Initial Value	R/W	Description
31 to 26	LRUI	000000	R/W	<p>Least Recently Used ITLB</p> <p>These bits indicate the ITLB entry to be replaced. The LRU (least recently used) method is used to decide the ITLB entry to be replaced in the event of an ITLB miss. The entry to be purged from the ITLB can be confirmed using the LRUI bits.</p> <p>LRUI is updated by means of the algorithm shown below. x means that updating is not performed.</p> <p>000xxx: ITLB entry 0 is used 1xx00x: ITLB entry 1 is used x1x1x0: ITLB entry 2 is used xx1x11: ITLB entry 3 is used xxxxxx: Other than above</p> <p>When the LRUI bit settings are as shown below, the corresponding ITLB entry is updated by an ITLB miss. Ensure that values for which "Setting prohibited" is indicated below are not set at the discretion of software. After a power-on or manual reset, the LRUI bits are initialized to 0, and therefore a prohibited setting is never made by a hardware update. x means "don't care".</p> <p>111xxx: ITLB entry 0 is updated 0xx01x: ITLB entry 1 is updated x0x0x1: ITLB entry 2 is updated xx0x00: ITLB entry 3 is updated</p> <p>Other than above: Setting prohibited</p>

Bit	Bit Name	Initial Value	R/W	Description
25, 24	—	All 0	R	Reserved For details on reading from or writing to these bits, see description in General Precautions on Handling of Product.
23 to 18	URB	000000	R/W	UTLB Replace Boundary These bits indicate the UTLB entry boundary at which replacement is to be performed. Valid only when URB \neq 0.
17, 16	—	All 0	R	Reserved For details on reading from or writing to these bits, see description in General Precautions on Handling of Product.
15 to 10	URC	000000	R/W	UTLB Replace Counter These bits serve as a random counter for indicating the UTLB entry for which replacement is to be performed with an LDTLB instruction. This bit is incremented each time the UTLB is accessed. If URB > 0, URC is cleared to 0 when the condition URC = URB is satisfied. Also note that if a value is written to URC by software which results in the condition of URC > URB, incrementing is first performed in excess of URB until URC = H'3F. URC is not incremented by an LDTLB instruction.
9	SQMD	0	R/W	Store Queue Mode Specifies the right of access to the store queues. 0: User/privileged access possible 1: Privileged access possible (address error exception in case of user access)
8	SV	0	R/W	Single Virtual Memory Mode/Multiple Virtual Memory Mode Switching When this bit is changed, ensure that 1 is also written to the TI bit. 0: Multiple virtual memory mode 1: Single virtual memory mode

Bit	Bit Name	Initial Value	R/W	Description
7	ME	0	R/W	TLB Extended Mode Switching 0: TLB compatible mode 1: TLB extended mode For modifying the ME bit value, always set the TI bit to 1 to invalidate the contents of ITLB and UTLB. The selection of TLB operating mode made by the ME bit does not affect the functionality or operation of the PMB.
6 to 3	—	All 0	R	Reserved For details on reading from or writing to these bits, see description in General Precautions on Handling of Product.
2	TI	0	R/W	TLB Invalidate Bit Writing 1 to this bit invalidates (clears to 0) all valid UTLB/ITLB bits. This bit is always read as 0.
1	—	0	R	Reserved For details on reading from or writing to this bit, see description in General Precautions on Handling of Product.
0	AT	0	R/W	Address Translation Enable Bit These bits enable or disable the MMU. 0: MMU disabled 1: MMU enabled MMU exceptions are not generated when the AT bit is 0. In the case of software that does not use the MMU, the AT bit should be cleared to 0.

7.2.6 Page Table Entry Assistance Register (PTEA)

Bit:	31	30	29	28	27	26	25	24	23	22	21	20	19	18	17	16
	—	—	—	—	—	—	—	—	—	—	—	—	—	—	—	—
Initial value:	0	0	0	0	0	0	0	0	0	0	0	0	0	0	0	0
R/W:	R	R	R	R	R	R	R	R	R	R	R	R	R	R	R	R
Bit:	15	14	13	12	11	10	9	8	7	6	5	4	3	2	1	0
	—	—	EPR				ESZ				—	—	—	—		
Initial value:	0	0	—	—	—	—	—	—	—	—	—	—	0	0	0	0
R/W:	R	R	R/W	R/W	R/W	R/W	R/W	R/W	R/W	R/W	R/W	R/W	R	R	R	R

Bit	Bit Name	Initial Value	R/W	Description
31 to 14	—	All 0	R	Reserved For details on reading/writing these bits, see General Precautions on Handling of Product.
13 to 8	EPR	Undefined	R/W	Page Control Information
7 to 4	ESZ	Undefined	R/W	Each bit has the same function as the corresponding bit of the unified TLB (UTLB). For details, see section 7.4, TLB Functions (TLB Extended Mode; MMUCR.ME = 1)
3 to 0	—	All 0	R	Reserved For details on reading/writing these bits, see General Precautions on Handling of Product.

7.2.7 Physical Address Space Control Register (PASCR)

PASCR controls the operation in the physical address space.

Bit:	31	30	29	28	27	26	25	24	23	22	21	20	19	18	17	16		
	—	—	—	—	—	—	—	—	—	—	—	—	—	—	—	—		
Initial value:	0	0	0	0	0	0	0	0	0	0	0	0	0	0	0	0		
R/W:	R	R	R	R	R	R	R	R	R	R	R	R	R	R	R	R		
Bit:	15	14	13	12	11	10	9	8	7	6	5	4	3	2	1	0		
	—	—	—	—	—	—	—	—	UB									
Initial value:	0	0	0	0	0	0	0	0	0	0	0	0	0	0	0	0		
R/W:	R	R	R	R	R	R	R	R	R/W	R/W	R/W	R/W	R/W	R/W	R/W	R/W		

Bit	Bit Name	Initial Value	R/W	Description
31 to 8	—	All 0	R	Reserved For details on reading from or writing to these bits, see description in General Precautions on Handling of Product.
7 to 0	UB	H'00	R/W	Buffered Write Control for Each Area (64 Mbytes) When writing is performed without using the cache or in the cache write-through mode, these bits specify whether the next bus access from the CPU waits for the end of writing for each area. 0 : Buffered write (The CPU does not wait for the end of writing bus access and starts the next bus access) 1 : Unbuffered write (The CPU waits for the end of writing bus access and starts the next bus access) UB[7]: Corresponding to the control register area UB[6]: Corresponding to area 6 UB[5]: Corresponding to area 5 UB[4]: Corresponding to area 4 UB[3]: Corresponding to area 3 UB[2]: Corresponding to area 2 UB[1]: Corresponding to area 1 UB[0]: Corresponding to area 0

7.2.8 Instruction Re-Fetch Inhibit Control Register (IRMCR)

When the specific resource is changed, IRMCR controls whether the instruction fetch is performed again for the next instruction. The specific resource means the part of control registers, TLB, and cache.

In the initial state, the instruction fetch is performed again for the next instruction after changing the resource. However, the CPU processing performance will be lowered because the instruction fetch is performed again for the next instruction every time the resource is changed. Therefore, it is recommended that each bit in IRMCR is set to 1 and the specific instruction should be executed after all necessary resources have been changed prior to execution of the program which uses changed resources.

For details on the specific sequence, see descriptions in each resource.

Bit:	31	30	29	28	27	26	25	24	23	22	21	20	19	18	17	16
	—	—	—	—	—	—	—	—	—	—	—	—	—	—	—	—
Initial value:	0	0	0	0	0	0	0	0	0	0	0	0	0	0	0	0
R/W:	R	R	R	R	R	R	R	R	R	R	R	R	R	R	R	R
Bit:	15	14	13	12	11	10	9	8	7	6	5	4	3	2	1	0
	—	—	—	—	—	—	—	—	—	—	—	R2	R1	LT	MT	MC
Initial value:	0	0	0	0	0	0	0	0	0	0	0	0	0	0	0	0
R/W:	R	R	R	R	R	R	R	R	R	R	R	R/W	R/W	R/W	R/W	R/W

Bit	Bit Name	Initial Value	R/W	Description
31 to 5	—	All 0	R	Reserved For details on reading from or writing to these bits, see description in General Precautions on Handling of Product.
4	R2	0	R/W	Re-Fetch Inhibit 2 after Register Change When MMUCR, PASCER, CCR, PTEH, or RAMCR is changed, this bit controls whether re-fetch is performed for the next instruction. 0: Re-fetch is performed 1: Re-fetch is not performed

Bit	Bit Name	Initial Value	R/W	Description
3	R1	0	R/W	<p>Re-Fetch Inhibit 1 after Register Change</p> <p>When a register allocated in addresses H'FF200000 to H'FF2FFFFFF is changed, this bit controls whether re-fetch is performed for the next instruction.</p> <p>0: Re-fetch is performed 1: Re-fetch is not performed</p>
2	LT	0	R/W	<p>Re-Fetch Inhibit after LDTLB Execution</p> <p>This bit controls whether re-fetch is performed for the next instruction after the LDTLB instruction has been executed.</p> <p>0: Re-fetch is performed 1: Re-fetch is not performed</p>
1	MT	0	R/W	<p>Re-Fetch Inhibit after Writing Memory-Mapped TLB</p> <p>This bit controls whether re-fetch is performed for the next instruction after writing memory-mapped ITLB/UTLB while the AT bit in MMUCR is set to 1.</p> <p>0: Re-fetch is performed 1: Re-fetch is not performed</p>
0	MC	0	R/W	<p>Re-Fetch Inhibit after Writing Memory-Mapped IC</p> <p>This bit controls whether re-fetch is performed for the next instruction after writing memory-mapped IC while the ICE bit in CCR is set to 1.</p> <p>0: Re-fetch is performed 1: Re-fetch is not performed</p>

7.3 TLB Functions (TLB Compatible Mode; MMUCR.ME = 0)

7.3.1 Unified TLB (UTLB) Configuration

The UTLB is used for the following two purposes:

1. To translate a virtual address to a physical address in a data access
2. As a table of address translation information to be recorded in the ITLB in the event of an ITLB miss

The UTLB is so called because of its use for the above two purposes. Information in the address translation table located in external memory is cached into the UTLB. The address translation table contains virtual page numbers and address space identifiers, and corresponding physical page numbers and page management information. Figure 7.6 shows the UTLB configuration. The UTLB consists of 64 fully-associative type entries. Figure 7.7 shows the relationship between the page size and address format.

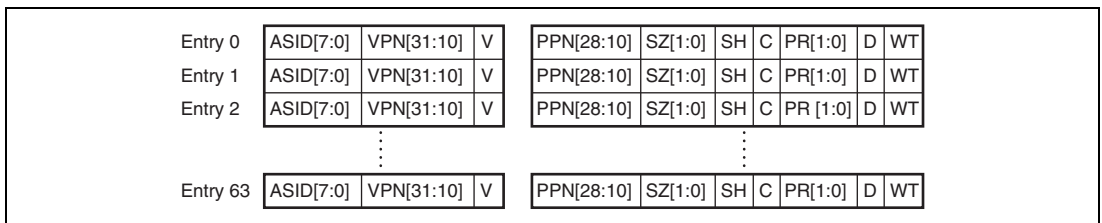


Figure 7.6 UTLB Configuration (TLB Compatible Mode)

Legend:

- **VPN:** Virtual page number
 For 1-Kbyte page: Upper 22 bits of virtual address
 For 4-Kbyte page: Upper 20 bits of virtual address
 For 64-Kbyte page: Upper 16 bits of virtual address
 For 1-Mbyte page: Upper 12 bits of virtual address
- **ASID:** Address space identifier
 Indicates the process that can access a virtual page.
 In single virtual memory mode and user mode, or in multiple virtual memory mode, if the SH bit is 0, this identifier is compared with the ASID in PTEH when address comparison is performed.

- **SH: Share status bit**
When 0, pages are not shared by processes.
When 1, pages are shared by processes.
- **SZ[1:0]: Page size bits**
Specify the page size.
00: 1-Kbyte page
01: 4-Kbyte page
10: 64-Kbyte page
11: 1-Mbyte page
- **V: Validity bit**
Indicates whether the entry is valid.
0: Invalid
1: Valid
Cleared to 0 by a power-on reset.
Not affected by a manual reset.
- **PPN: Physical page number**
Upper 22 bits of the physical address of the physical page number.
With a 1-Kbyte page, PPN[28:10] are valid.
With a 4-Kbyte page, PPN[28:12] are valid.
With a 64-Kbyte page, PPN[28:16] are valid.
With a 1-Mbyte page, PPN[28:20] are valid.
The synonym problem must be taken into account when setting the PPN (see section 7.5.5, Avoiding Synonym Problems).
- **PR[1:0]: Protection key data**
2-bit data expressing the page access right as a code.
00: Can be read from only in privileged mode
01: Can be read from and written to in privileged mode
10: Can be read from only in privileged or user mode
11: Can be read from and written to in privileged mode or user mode
- **C: Cacheability bit**
Indicates whether a page is cacheable.
0: Not cacheable

1: Cacheable

When the control register area is mapped, this bit must be cleared to 0.

- D: Dirty bit

Indicates whether a write has been performed to a page.

0: Write has not been performed

1: Write has been performed

- WT: Write-through bit

Specifies the cache write mode.

0: Copy-back mode

1: Write-through mode

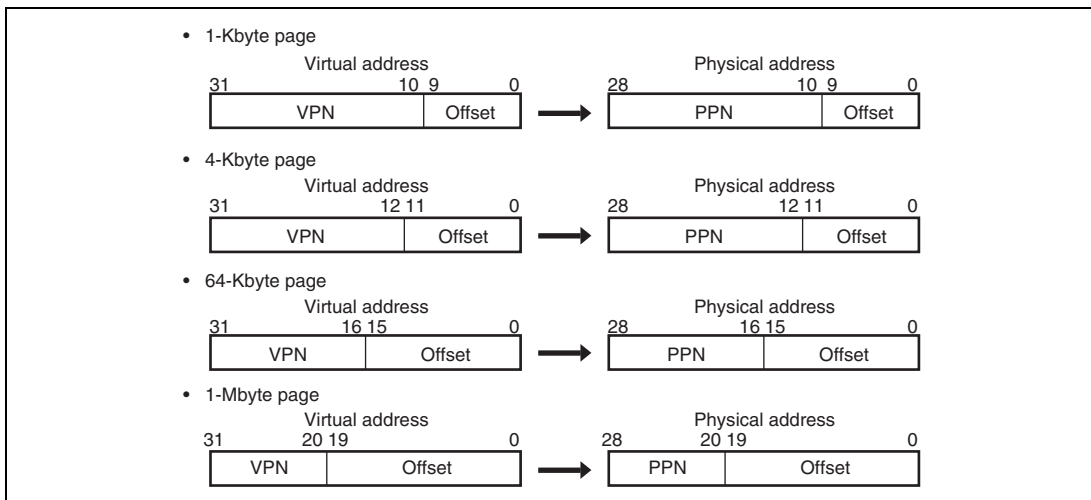


Figure 7.7 Relationship between Page Size and Address Format (TLB Compatible Mode)

7.3.2 Instruction TLB (ITLB) Configuration

The ITLB is used to translate a virtual address to a physical address in an instruction access. Information in the address translation table located in the UTLB is cached into the ITLB. Figure 7.8 shows the ITLB configuration. The ITLB consists of four fully-associative type entries.

Entry 0	ASID[7:0]	VPN[31:10]	V	PPN[28:10]	SZ[1:0]	SH	C	PR
Entry 1	ASID[7:0]	VPN[31:10]	V	PPN[28:10]	SZ[1:0]	SH	C	PR
Entry 2	ASID[7:0]	VPN[31:10]	V	PPN[28:10]	SZ[1:0]	SH	C	PR
Entry 3	ASID[7:0]	VPN[31:10]	V	PPN[28:10]	SZ[1:0]	SH	C	PR

- Notes: 1. The D and WT bits are not supported.
2. There is only one PR bit, corresponding to the upper bit of the PR bits in the UTLB.

Figure 7.8 ITLB Configuration (TLB Compatible Mode)

7.3.3 Address Translation Method

Figure 7.9 shows a flowchart of a memory access using the UTLB.

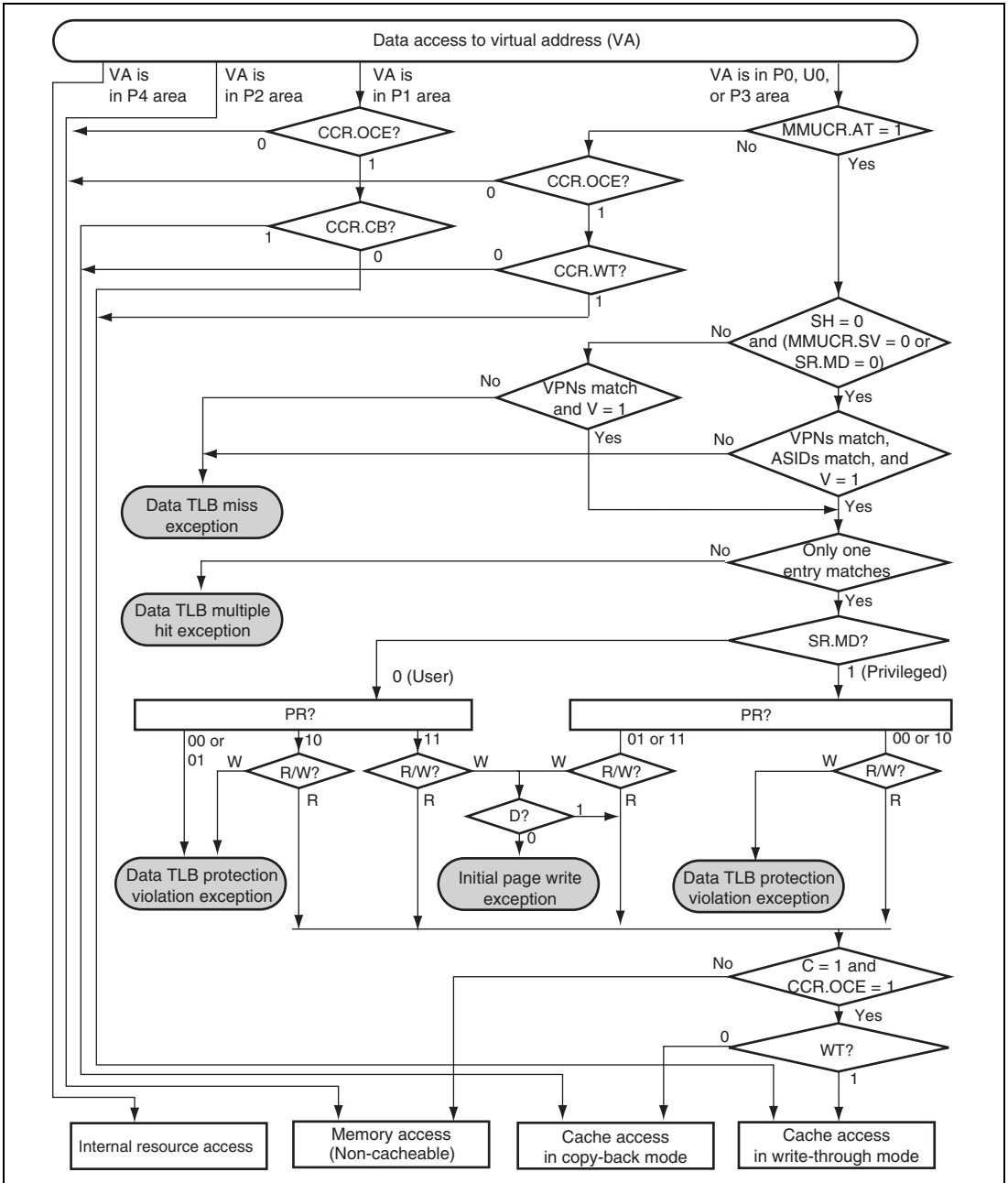


Figure 7.9 Flowchart of Memory Access Using UTLB (TLB Compatible Mode)

Figure 7.10 shows a flowchart of a memory access using the ITLB.

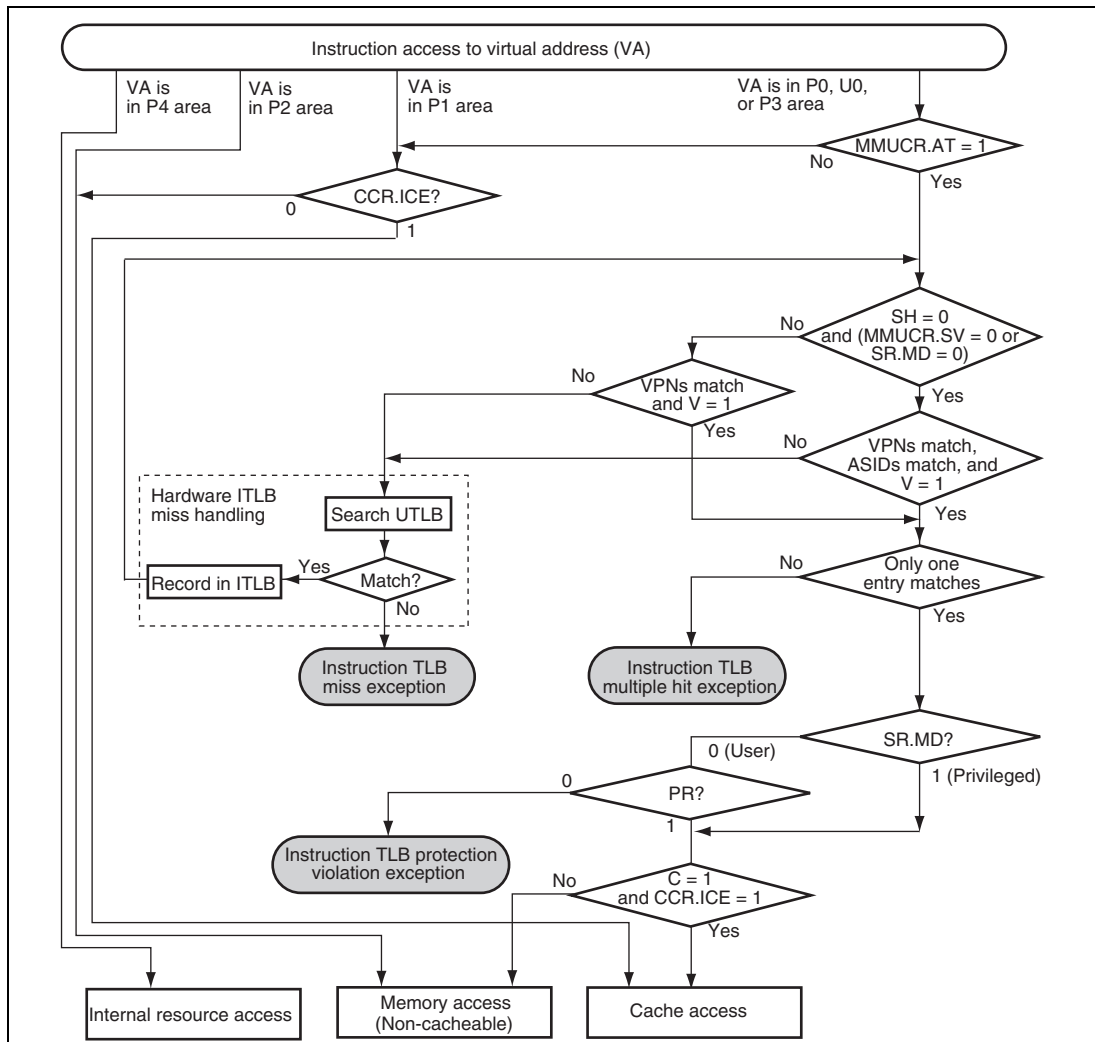


Figure 7.10 Flowchart of Memory Access Using ITLB (TLB Compatible Mode)

7.4 TLB Functions (TLB Extended Mode; MMUCR.ME = 1)

7.4.1 Unified TLB (UTLB) Configuration

Figure 7.11 shows the configuration of the UTLB in TLB extended mode. Figure 7.12 shows the relationship between the page size and address format.

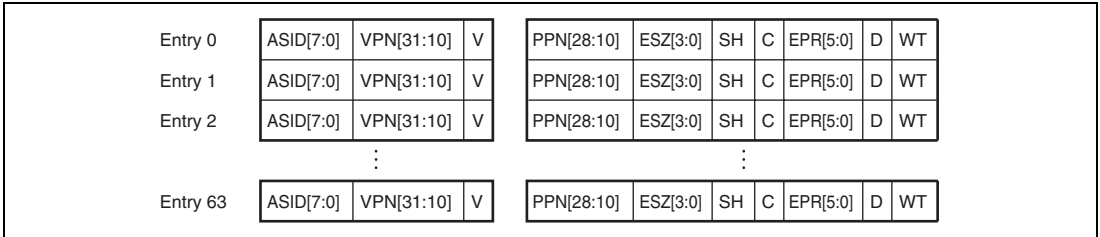


Figure 7.11 UTLB Configuration (TLB Extended Mode)

Legend:

- **VPN:** Virtual page number
 For 1-Kbyte page: Upper 22 bits of virtual address
 For 4-Kbyte page: Upper 20 bits of virtual address
 For 8-Kbyte page: Upper 19 bits of virtual address
 For 64-Kbyte page: Upper 16 bits of virtual address
 For 256-Kbyte page: Upper 14 bits of virtual address
 For 1-Mbyte page: Upper 12 bits of virtual address
 For 4-Mbyte page: Upper 10 bits of virtual address
 For 64-Mbyte page: Upper 6 bits of virtual address
- **ASID:** Address space identifier
 Indicates the process that can access a virtual page.
 In single virtual memory mode and user mode, or in multiple virtual memory mode, if the SH bit is 0, this identifier is compared with the ASID in PTEH when address comparison is performed.
- **SH:** Share status bit
 When 0, pages are not shared by processes.
 When 1, pages are shared by processes.
- **ESZ:** Page size bits
 Specify the page size.
 0000: 1-Kbyte page

0001: 4-Kbyte page
0010: 8-Kbyte page
0100: 64-Kbyte page
0101: 256-Kbyte page
0111: 1-Mbyte page
1000: 4-Mbyte page
1100: 64-Mbyte page

Note: When a value other than those listed above is recorded, operation is not guaranteed.

- V: Validity bit
Indicates whether the entry is valid.
0: Invalid
1: Valid
Cleared to 0 by a power-on reset.
Not affected by a manual reset.
- PPN: Physical page number
Upper 19 bits of the physical address.
With a 1-Kbyte page, PPN[28:10] are valid.
With a 4-Kbyte page, PPN[28:12] are valid.
With a 8-Kbyte page, PPN[28:13] are valid.
With a 64-Kbyte page, PPN[28:16] are valid.
With a 256-Kbyte page, PPN[28:18] are valid.
With a 1-Mbyte page, PPN[28:20] are valid.
With a 4-Mbyte page, PPN[28:22] are valid.
With a 64-Mbyte page, PPN[28:26] are valid.
The synonym problem must be taken into account when setting the PPN (see section 7.5.5, Avoiding Synonym Problems).
- EPR: Protection key data
6-bit data expressing the page access right as a code.
Reading, writing, and execution (instruction fetch) in privileged mode and reading, writing, and execution (instruction fetch) in user mode can be set independently. Each bit is disabled by 0 and enabled by 1.
EPR[5]: Reading in privileged mode
EPR[4]: Writing in privileged mode
EPR[3]: Execution in privileged mode (instruction fetch)
EPR[2]: Reading in user mode

EPR[1]: Writing in user mode

EPR[0]: Execution in user mode (instruction fetch)

- C: Cacheability bit

Indicates whether a page is cacheable.

0: Not cacheable

1: Cacheable

When the control register area is mapped, this bit must be cleared to 0.

- D: Dirty bit

Indicates whether a write has been performed to a page.

0: Write has not been performed.

1: Write has been performed.

- WT: Write-through bit

Specifies the cache write mode.

0: Copy-back mode

1: Write-through mode

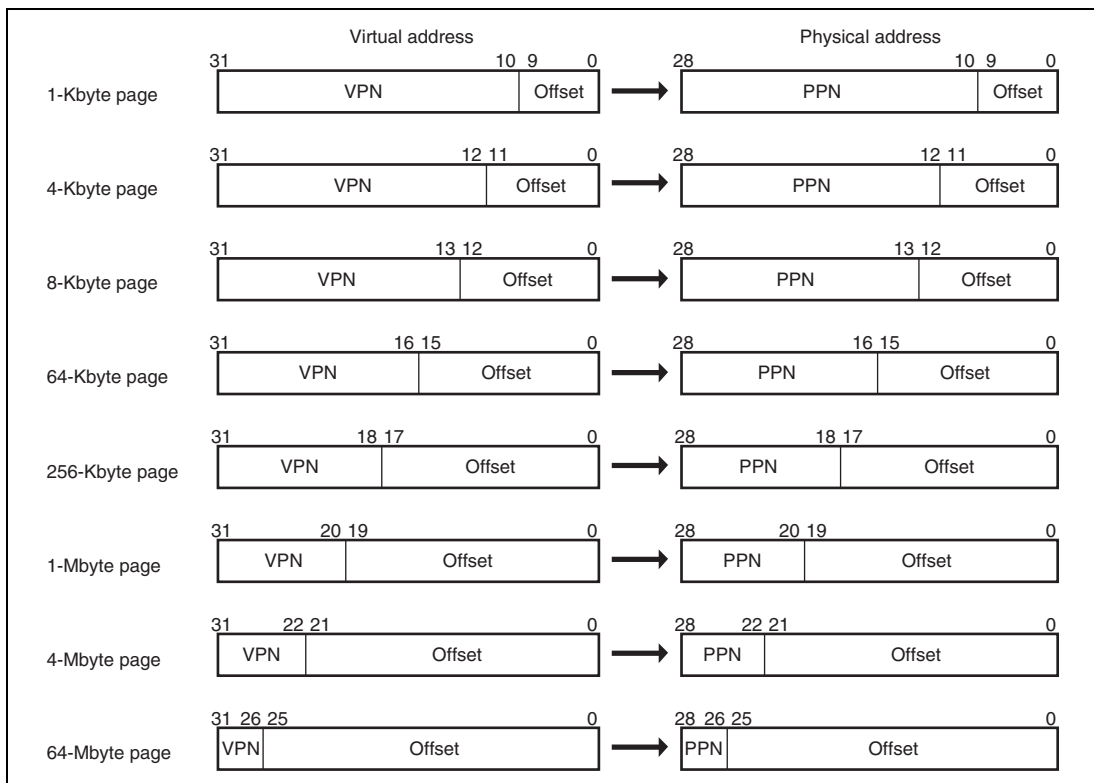


Figure 7.12 Relationship between Page Size and Address Format (TLB Extended Mode)

7.4.2 Instruction TLB (ITLB) Configuration

Figure 7.13 shows the configuration of the ITLB in TLB extended mode.

Entry 0	ASID[7:0]	VPN[31:10]	V	PPN[28:10]	ESZ[3:0]	SH	C	EPR[5]	EPR[3]	EPR[2]	EPR[0]
Entry 1	ASID[7:0]	VPN[31:10]	V	PPN[28:10]	ESZ[3:0]	SH	C	EPR[5]	EPR[3]	EPR[2]	EPR[0]
Entry 2	ASID[7:0]	VPN[31:10]	V	PPN[28:10]	ESZ[3:0]	SH	C	EPR[5]	EPR[3]	EPR[2]	EPR[0]
Entry 3	ASID[7:0]	VPN[31:10]	V	PPN[28:10]	ESZ[3:0]	SH	C	EPR[5]	EPR[3]	EPR[2]	EPR[0]

Note: Bits EPR[4], EPR[1], D, and WT are not supported.

Figure 7.13 ITLB Configuration (TLB Extended Mode)

7.4.3 Address Translation Method

Figure 7.14 is a flowchart of memory access using the UTLB in TLB extended mode.

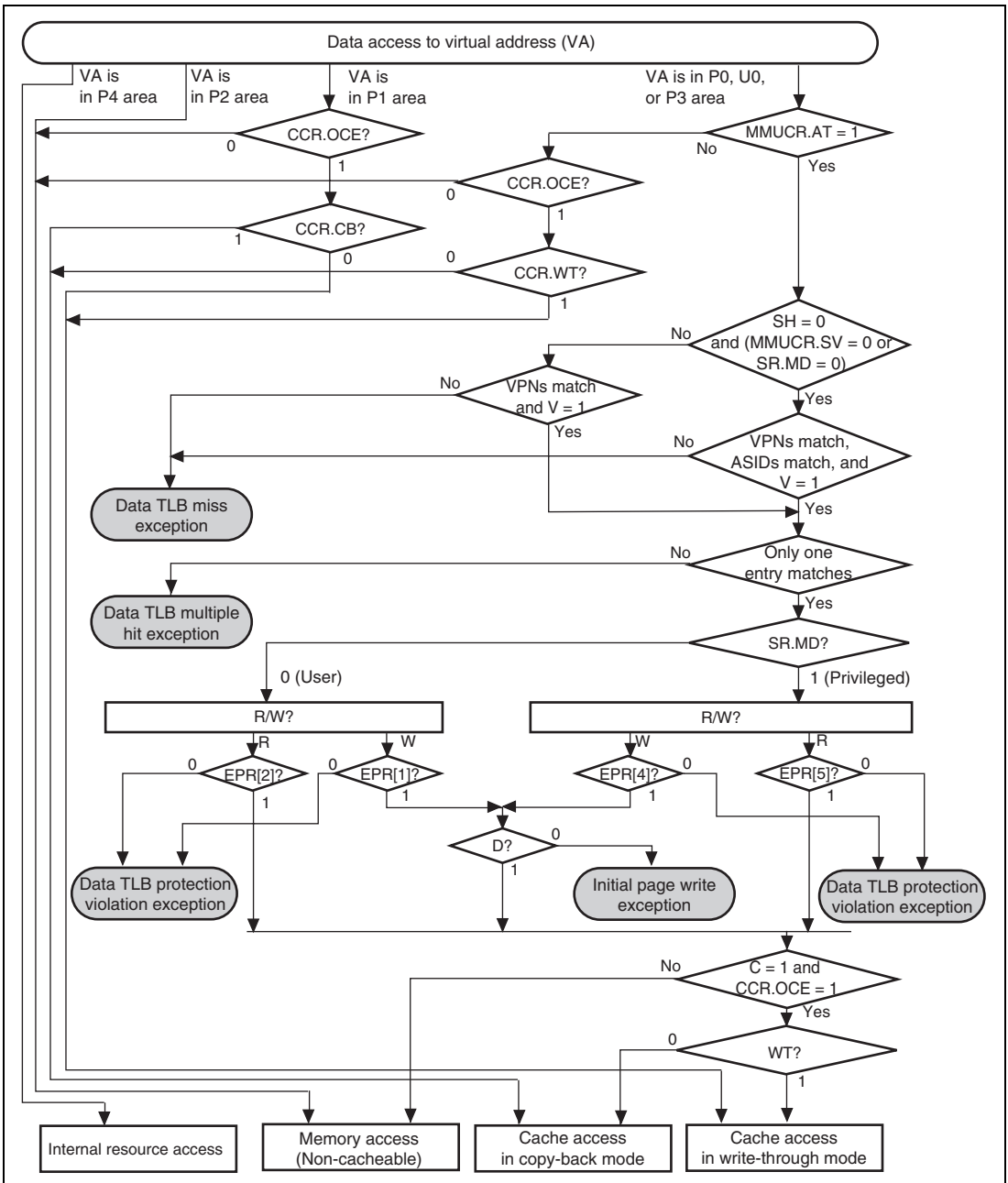


Figure 7.14 Flowchart of Memory Access Using UTLB (TLB Extended Mode)

Figure 7.15 is a flowchart of memory access using the ITLB in TLB extended mode.

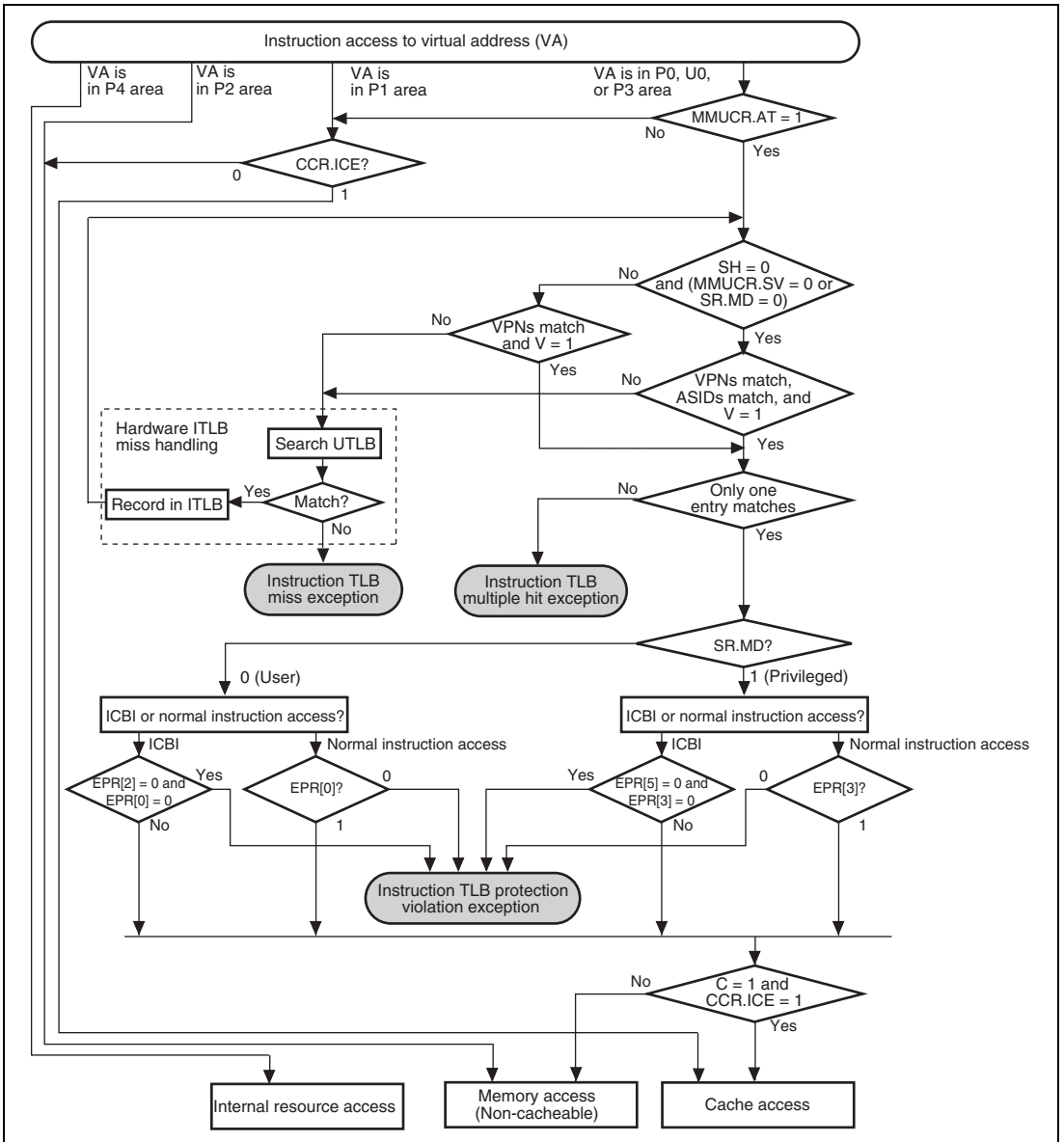


Figure 7.15 Flowchart of Memory Access Using ITLB (TLB Extended Mode)

7.5 MMU Functions

7.5.1 MMU Hardware Management

This LSI supports the following MMU functions.

1. The MMU decodes the virtual address to be accessed by software, and performs address translation by controlling the UTLB/ITLB in accordance with the MMUCR settings.
2. The MMU determines the cache access status on the basis of the page management information read during address translation (C and WT bits).
3. If address translation cannot be performed normally in a data access or instruction access, the MMU notifies software by means of an MMU exception.
4. If address translation information is not recorded in the ITLB in an instruction access, the MMU searches the UTLB. If the necessary address translation information is recorded in the UTLB, the MMU copies this information into the ITLB in accordance with the LRUI bit setting in MMUCR.

7.5.2 MMU Software Management

Software processing for the MMU consists of the following:

1. Setting of MMU-related registers. Some registers are also partially updated by hardware automatically.
2. Recording, deletion, and reading of TLB entries. There are two methods of recording UTLB entries: by using the LDTLB instruction, or by writing directly to the memory-mapped UTLB. ITLB entries can only be recorded by writing directly to the memory-mapped ITLB. Deleting or reading UTLB/ITLB entries is enabled by accessing the memory-mapped UTLB/ITLB.
3. MMU exception handling. When an MMU exception occurs, processing is performed based on information set by hardware.

7.5.3 MMU Instruction (LDTLB)

A TLB load instruction (LDTLB) is provided for recording UTLB entries. When an LDTLB instruction is issued, this LSI copies the contents of PTEH and PTEL (also the contents of PTEA in TLB extended mode) to the UTLB entry indicated by the URC bit in MMUCR. ITLB entries are not updated by the LDTLB instruction, and therefore address translation information purged from the UTLB entry may still remain in the ITLB entry. As the LDTLB instruction changes address translation information, ensure that it is issued by a program in the P1 or P2 area.

After the LDTLB instruction has been executed, execute one of the following three methods before an access (include an instruction fetch) the area where TLB is used to translate the address is performed.

1. Execute a branch using the RTE instruction. In this case, the branch destination may be the area where TLB is used to translate the address.
2. Execute the ICBI instruction for any address (including non-cacheable area).
3. If the LT bit in IRMCR is 0 (initial value) before executing the LDTLB instruction, the specific instruction does not need to be executed. However, note that the CPU processing performance will be lowered because the instruction fetch is performed again for the next instruction after MMUCR has been updated.

Note that the method 3 may not be guaranteed in the future SuperH Series. Therefore, it is recommended that the method 1 or 2 should be used for being compatible with the future SuperH Series.

The operation of the LDTLB instruction is shown in figures 7.16 and 7.17.

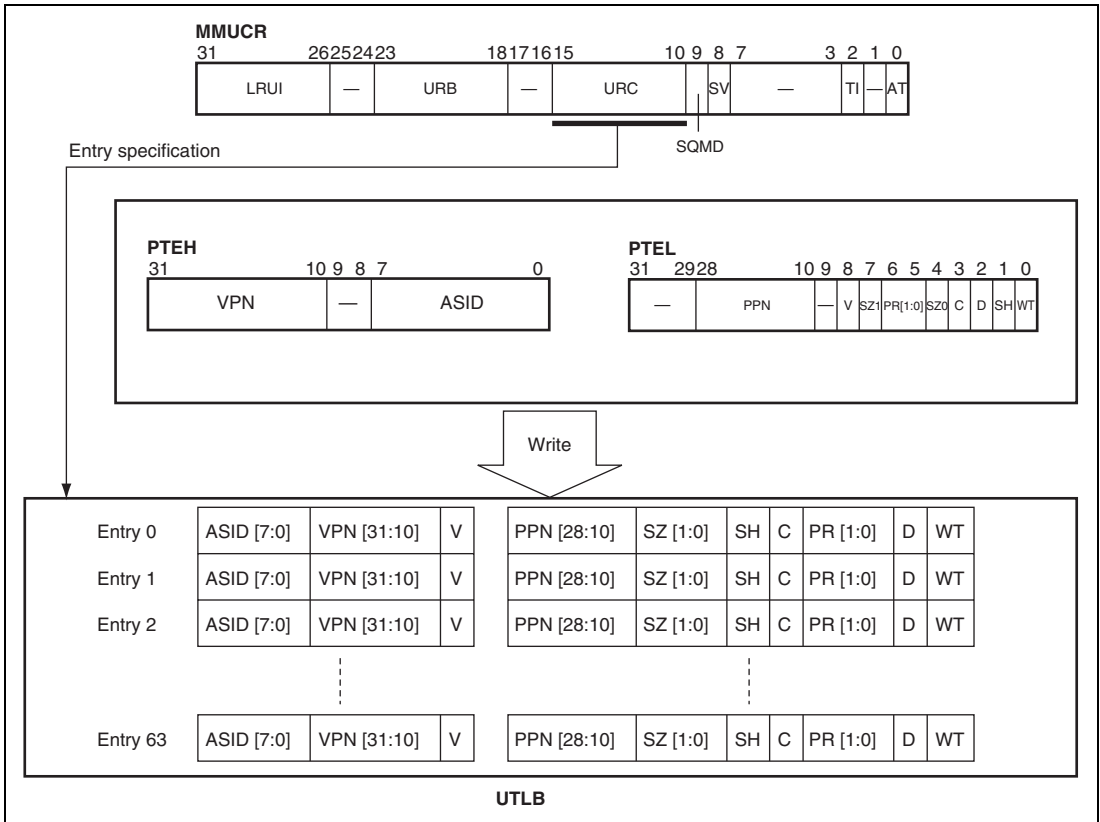


Figure 7.16 Operation of LDTLB Instruction (TLB Compatible Mode)

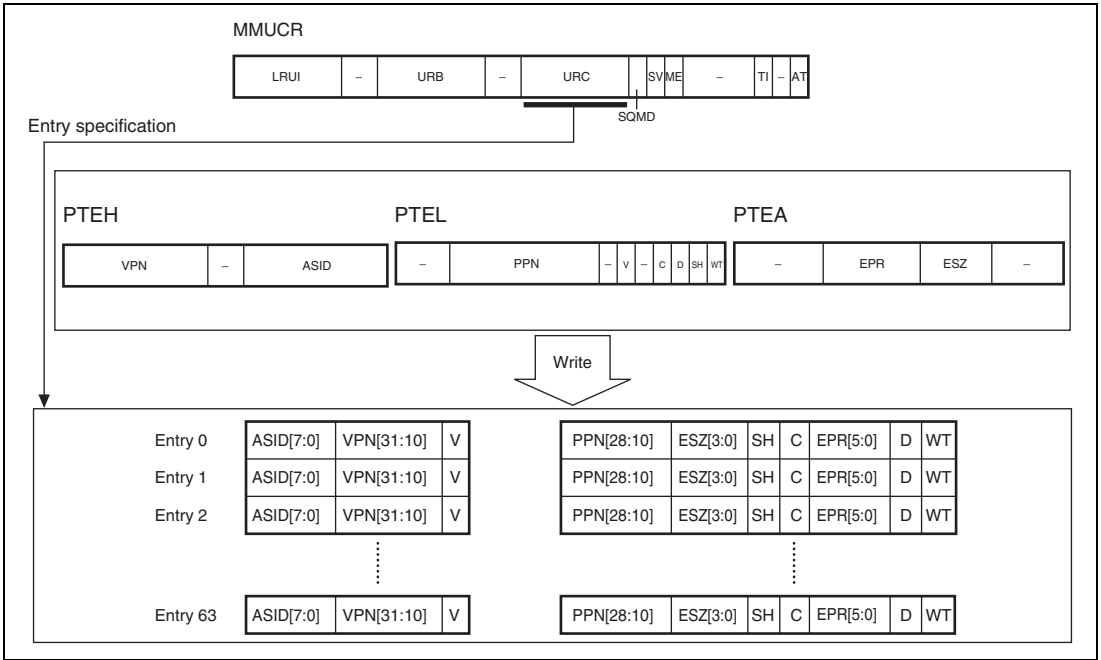


Figure 7.17 Operation of LDTLB Instruction (TLB Extended Mode)

7.5.4 Hardware ITLB Miss Handling

In an instruction access, this LSI searches the ITLB. If it cannot find the necessary address translation information (ITLB miss occurred), the UTLB is searched by hardware, and if the necessary address translation information is present, it is recorded in the ITLB. This procedure is known as hardware ITLB miss handling. If the necessary address translation information is not found in the UTLB search, an instruction TLB miss exception is generated and processing passes to software.

7.5.5 Avoiding Synonym Problems

When information on 1- or 4-Kbyte pages is written as TLB entries, a synonym problem may arise. The problem is that, when a number of virtual addresses are mapped onto a single physical address, the same physical address data is written to a number of cache entries, and it becomes impossible to guarantee data integrity. This problem does not occur with the instruction TLB and instruction cache because only data is read in these cases. In this LSI, entry specification is performed using bits 12 to 5 of the virtual address in order to achieve fast operand cache operation. However, bits 12 to 10 of the virtual address in the case of a 1-Kbyte page, and bit 12 of the virtual address in the case of a 4-Kbyte page, are subject to address translation. As a result, bits 12 to 10 of the physical address after translation may differ from bits 12 to 10 of the virtual address.

Consequently, the following restrictions apply to the writing of address translation information as UTLB entries.

- When address translation information whereby a number of 1-Kbyte page UTLB entries are translated into the same physical address is written to the UTLB, ensure that the VPN[12:10] values are the same.
- When address translation information whereby a number of 4-Kbyte page UTLB entries are translated into the same physical address is written to the UTLB, ensure that the VPN[12] value is the same.
- Do not use 1-Kbyte page UTLB entry physical addresses with UTLB entries of a different page size.
- Do not use 4-Kbyte page UTLB entry physical addresses with UTLB entries of a different page size.

The above restrictions apply only when performing accesses using the cache.

7.6 MMU Exceptions

There are seven MMU exceptions: instruction TLB multiple hit exception, instruction TLB miss exception, instruction TLB protection violation exception, data TLB multiple hit exception, data TLB miss exception, data TLB protection violation exception, and initial page write exception. Refer to figures 7.9, 7.10, 7.14, 7.15, and section 5, Exception Handling for the conditions under which each of these exceptions occurs.

7.6.1 Instruction TLB Multiple Hit Exception

An instruction TLB multiple hit exception occurs when more than one ITLB entry matches the virtual address to which an instruction access has been made. If multiple hits occur when the UTLB is searched by hardware in hardware ITLB miss handling, an instruction TLB multiple hit exception will result.

When an instruction TLB multiple hit exception occurs, a reset is executed and cache coherency is not guaranteed.

(1) Hardware Processing

In the event of an instruction TLB multiple hit exception, hardware carries out the following processing:

1. Sets the virtual address at which the exception occurred in TEA.
2. Sets exception code H'140 in EXPEVT.
3. Branches to the reset handling routine (H'A000 0000).

(2) Software Processing (Reset Routine)

The ITLB entries which caused the multiple hit exception are checked in the reset handling routine. This exception is intended for use in program debugging, and should not normally be generated.

7.6.2 Instruction TLB Miss Exception

An instruction TLB miss exception occurs when address translation information for the virtual address to which an instruction access is made is not found in the UTLB entries by the hardware ITLB miss handling routine. The instruction TLB miss exception processing carried out by hardware and software is shown below. This is the same as the processing for a data TLB miss exception.

(1) Hardware Processing

In the event of an instruction TLB miss exception, hardware carries out the following processing:

1. Sets the VPN of the virtual address at which the exception occurred in PTEH.
2. Sets the virtual address at which the exception occurred in TEA.
3. Sets exception code H'040 in EXPEVT.
4. Sets the PC value indicating the address of the instruction at which the exception occurred in SPC. If the exception occurred at a delay slot, sets the PC value indicating the address of the delayed branch instruction in SPC.
5. Sets the SR contents at the time of the exception in SSR. The R15 contents at this time are saved in SGR.
6. Sets the MD bit in SR to 1, and switches to privileged mode.
7. Sets the BL bit in SR to 1, and masks subsequent exception requests.
8. Sets the RB bit in SR to 1.
9. Branches to the address obtained by adding offset H'0000 0400 to the contents of VBR, and starts the instruction TLB miss exception handling routine.

(2) Software Processing (Instruction TLB Miss Exception Handling Routine)

Software is responsible for searching the external memory page table and assigning the necessary page table entry. Software should carry out the following processing in order to find and assign the necessary page table entry.

1. In TLB compatible mode, write to PTEL the values of the PPN, PR, SZ, C, D, SH, V, and WT bits in the page table entry stored in the address translation table for external memory. In TLB extended mode, write to PTEL and PTEA the values of the PPN, EPR, ESZ, C, D, SH, V, and WT bits in the page table entry stored in the address translation table for external memory.
2. When the entry to be replaced in entry replacement is specified by software, write the value to the URC bits in MMUCR. If URC is greater than URB at this time, the value should be changed to an appropriate value after issuing an LDTLB instruction.

3. In TLB compatible mode, execute the LDTLB instruction and write the contents of PTEH and PTEL to the TLB.
In TLB extended mode, execute the LDTLB instruction and write the contents of PTEH, PTEL, PTEA to the UTLB.
4. Finally, execute the exception handling return instruction (RTE) to terminate the exception handling routine and return control to the normal flow. The RTE instruction should be issued at least one instruction after the LDTLB instruction.

For the execution of the LDTLB instruction, see section 7.10.1, Note on Using LDTLB Instruction.

7.6.3 Instruction TLB Protection Violation Exception

An instruction TLB protection violation exception occurs when, even though an ITLB entry contains address translation information matching the virtual address to which an instruction access is made, the actual access type is not permitted by the access right specified by the PR or EPR bit. The instruction TLB protection violation exception processing carried out by hardware and software is shown below.

(1) Hardware Processing

In the event of an instruction TLB protection violation exception, hardware carries out the following processing:

1. Sets the VPN of the virtual address at which the exception occurred in PTEH.
2. Sets the virtual address at which the exception occurred in TEA.
3. Sets exception code H'0A0 in EXPEVT.
4. Sets the PC value indicating the address of the instruction at which the exception occurred in SPC. If the exception occurred at a delay slot, sets the PC value indicating the address of the delayed branch instruction in SPC.
5. Sets the SR contents at the time of the exception in SSR. The R15 contents at this time are saved in SGR.
6. Sets the MD bit in SR to 1, and switches to privileged mode.
7. Sets the BL bit in SR to 1, and masks subsequent exception requests.
8. Sets the RB bit in SR to 1.
9. Branches to the address obtained by adding offset H'0000 0100 to the contents of VBR, and starts the instruction TLB protection violation exception handling routine.

(2) Software Processing (Instruction TLB Protection Violation Exception Handling Routine)

Resolve the instruction TLB protection violation, execute the exception handling return instruction (RTE), terminate the exception handling routine, and return control to the normal flow. The RTE instruction should be issued at least one instruction after the LDTLB instruction.

7.6.4 Data TLB Multiple Hit Exception

A data TLB multiple hit exception occurs when more than one UTLB entry matches the virtual address to which a data access has been made.

When a data TLB multiple hit exception occurs, a reset is executed, and cache coherency is not guaranteed. The contents of PPN in the UTLB prior to the exception may also be corrupted.

(1) Hardware Processing

In the event of a data TLB multiple hit exception, hardware carries out the following processing:

1. Sets the virtual address at which the exception occurred in TEA.
2. Sets exception code H'140 in EXPEVT.
3. Branches to the reset handling routine (H'A000 0000).

(2) Software Processing (Reset Routine)

The UTLB entries which caused the multiple hit exception are checked in the reset handling routine. This exception is intended for use in program debugging, and should not normally be generated.

7.6.5 Data TLB Miss Exception

A data TLB miss exception occurs when address translation information for the virtual address to which a data access is made is not found in the UTLB entries. The data TLB miss exception processing carried out by hardware and software is shown below.

(1) Hardware Processing

In the event of a data TLB miss exception, hardware carries out the following processing:

1. Sets the VPN of the virtual address at which the exception occurred in PTEH.
2. Sets the virtual address at which the exception occurred in TEA.

3. Sets exception code H'040 in the case of a read, or H'060 in the case of a write in EXPEVT (OCBP, OCBWB: read; OCBI, MOVCA.L: write).
4. Sets the PC value indicating the address of the instruction at which the exception occurred in SPC. If the exception occurred at a delay slot, sets the PC value indicating the address of the delayed branch instruction in SPC.
5. Sets the SR contents at the time of the exception in SSR. The R15 contents at this time are saved in SGR.
6. Sets the MD bit in SR to 1, and switches to privileged mode.
7. Sets the BL bit in SR to 1, and masks subsequent exception requests.
8. Sets the RB bit in SR to 1.
9. Branches to the address obtained by adding offset H'0000 0400 to the contents of VBR, and starts the data TLB miss exception handling routine.

(2) Software Processing (Data TLB Miss Exception Handling Routine)

Software is responsible for searching the external memory page table and assigning the necessary page table entry. Software should carry out the following processing in order to find and assign the necessary page table entry.

1. In TLB compatible mode, write to PTEL the values of the PPN, PR, SZ, C, D, SH, V, and WT bits in the page table entry stored in the address translation table for external memory.
In TLB extended mode, write to PTEL and PTEA the values of the PPN, EPR, ESZ, C, D, SH, V, and WT bits in the page table entry stored in the address translation table for external memory.
2. When the entry to be replaced in entry replacement is specified by software, write the value to the URC bits in MMUCR. If URC is greater than URB at this time, the value should be changed to an appropriate value after issuing an LDTLB instruction.
3. In TLB compatible mode, execute the LDTLB instruction and write the contents of PTEH and PTEL to the TLB.
In TLB extended mode, execute the LDTLB instruction and write the contents of PTEH, PTEL, PTEA to the UTLB.
4. Finally, execute the exception handling return instruction (RTE), terminate the exception handling routine, and return control to the normal flow. The RTE instruction should be issued at least one instruction after the LDTLB instruction.

For the execution of the LDTLB instruction, see section 7.10.1, Note on Using LDTLB Instruction.

7.6.6 Data TLB Protection Violation Exception

A data TLB protection violation exception occurs when, even though a UTLB entry contains address translation information matching the virtual address to which a data access is made, the actual access type is not permitted by the access right specified by the PR or EPR bit. The data TLB protection violation exception processing carried out by hardware and software is shown below.

(1) Hardware Processing

In the event of a data TLB protection violation exception, hardware carries out the following processing:

1. Sets the VPN of the virtual address at which the exception occurred in PTEH.
2. Sets the virtual address at which the exception occurred in TEA.
3. Sets exception code H'0A0 in the case of a read, or H'0C0 in the case of a write in EXPEVT (OCBP, OCBWB: read; OCBI, MOVCA.L: write).
4. Sets the PC value indicating the address of the instruction at which the exception occurred in SPC. If the exception occurred at a delay slot, sets the PC value indicating the address of the delayed branch instruction in SPC.
5. Sets the SR contents at the time of the exception in SSR. The R15 contents at this time are saved in SGR.
6. Sets the MD bit in SR to 1, and switches to privileged mode.
7. Sets the BL bit in SR to 1, and masks subsequent exception requests.
8. Sets the RB bit in SR to 1.
9. Branches to the address obtained by adding offset H'0000 0100 to the contents of VBR, and starts the data TLB protection violation exception handling routine.

(2) Software Processing (Data TLB Protection Violation Exception Handling Routine)

Resolve the data TLB protection violation, execute the exception handling return instruction (RTE), terminate the exception handling routine, and return control to the normal flow. The RTE instruction should be issued at least one instruction after the LDTLB instruction.

7.6.7 Initial Page Write Exception

An initial page write exception occurs when the D bit is 0 even though a UTLB entry contains address translation information matching the virtual address to which a data access (write) is made, and the access is permitted. The initial page write exception processing carried out by hardware and software is shown below.

(1) Hardware Processing

In the event of an initial page write exception, hardware carries out the following processing:

1. Sets the VPN of the virtual address at which the exception occurred in PTEH.
2. Sets the virtual address at which the exception occurred in TEA.
3. Sets exception code H'080 in EXPEVT.
4. Sets the PC value indicating the address of the instruction at which the exception occurred in SPC. If the exception occurred at a delay slot, sets the PC value indicating the address of the delayed branch instruction in SPC.
5. Sets the SR contents at the time of the exception in SSR. The R15 contents at this time are saved in SGR.
6. Sets the MD bit in SR to 1, and switches to privileged mode.
7. Sets the BL bit in SR to 1, and masks subsequent exception requests.
8. Sets the RB bit in SR to 1.
9. Branches to the address obtained by adding offset H'0000 0100 to the contents of VBR, and starts the initial page write exception handling routine.

(2) Software Processing (Initial Page Write Exception Handling Routine)

Software is responsible for the following processing:

1. Retrieve the necessary page table entry from external memory.
2. Write 1 to the D bit in the external memory page table entry.
3. In TLB compatible mode, write to PTEL the values of the PPN, PR, SZ, C, D, SH, V, and WT bits in the page table entry stored in the address translation table for external memory. In TLB extended mode, write to PTEL and PTEA the values of the PPN, EPR, ESZ, C, D, SH, V, and WT bits in the page table entry stored in the address translation table for external memory.
4. When the entry to be replaced in entry replacement is specified by software, write that value to the URC bits in MMUCR. If URC is greater than URB at this time, the value should be changed to an appropriate value after issuing an LDTLB instruction.

5. In TLB compatible mode, execute the LDTLB instruction and write the contents of PTEH and PTEL to the TLB.
In TLB extended mode, execute the LDTLB instruction and write the contents of PTEH, PTEL, PTEA to the UTLB.
6. Finally, execute the exception handling return instruction (RTE), terminate the exception handling routine, and return control to the normal flow. The RTE instruction should be issued at least one instruction after the LDTLB instruction.

7.7 Memory-Mapped TLB Configuration

To enable the ITLB and UTLB to be managed by software, their contents are allowed to be read from and written to by a program in the P1/P2 area with a MOV instruction in privileged mode. Operation is not guaranteed if access is made from a program in another area.

After the memory-mapped TLB has been accessed, execute one of the following three methods before an access (including an instruction fetch) to an area other than the P1/P2 area is performed.

1. Execute a branch using the RTE instruction. In this case, the branch destination may be an area other than the P1/P2 area.
2. Execute the ICBI instruction for any address (including non-cacheable area).
3. If the MT bit in IRMCR is 0 (initial value) before accessing the memory-mapped TLB, the specific instruction does not need to be executed. However, note that the CPU processing performance will be lowered because the instruction fetch is performed again for the next instruction after MMUCR has been updated.

Note that the method 3 may not be guaranteed in the future SuperH Series. Therefore, it is recommended that the method 1 or 2 should be used for being compatible with the future SuperH Series.

The ITLB and UTLB are allocated to the P4 area in the virtual address space.

In TLB compatible mode, VPN, V, and ASID in the ITLB can be accessed as an address array, PPN, V, SZ, PR, C, and SH as a data array. VPN, D, V, and ASID in the UTLB can be accessed as an address array, PPN, V, SZ, PR, C, D, WT, and SH as a data array. V and D can be accessed from both the address array side and the data array side.

In TLB extended mode, VPN, V, and ASID in the ITLB can be accessed as an address array, PPN, V, ESZ, EPR, C, and SH as a data array. VPN, D, V, and ASID in the UTLB can be accessed as an address array, PPN, V, ESZ, EPR, C, D, WT, and SH as a data array. V and D can be accessed from both the address array side and the data array side.

In both TLB compatible mode and TLB extended mode, only longword access is possible. Instruction fetches cannot be performed in these areas. For reserved bits, a write value of 0 should be specified; their read value is undefined.

7.7.2 ITLB Data Array (TLB Compatible Mode)

The ITLB data array is allocated to addresses H'F300 0000 to H'F37F FFFF in the P4 area. A data array access requires a 32-bit address field specification (when reading or writing) and a 32-bit data field specification (when writing). Information for selecting the entry to be accessed is specified in the address field, and PPN, V, SZ, PR, C, and SH to be written to the data array are specified in the data field.

In the address field, bits [31:23] have the value H'F30 indicating ITLB data array and the entry is specified by bits [9:8].

In the data field, bits [28:10] indicate PPN, bit [8] indicates V, bits [7] and [4] indicate SZ, bit [6] indicates PR, bit [3] indicates C, and bit [1] indicates SH.

The following two kinds of operation can be used on ITLB data array:

1. ITLB data array read

PPN, V, SZ, PR, C, and SH are read into the data field from the ITLB entry corresponding to the entry set in the address field.

2. ITLB data array write

PPN, V, SZ, PR, C, and SH specified in the data field are written to the ITLB entry corresponding to the entry set in the address field.

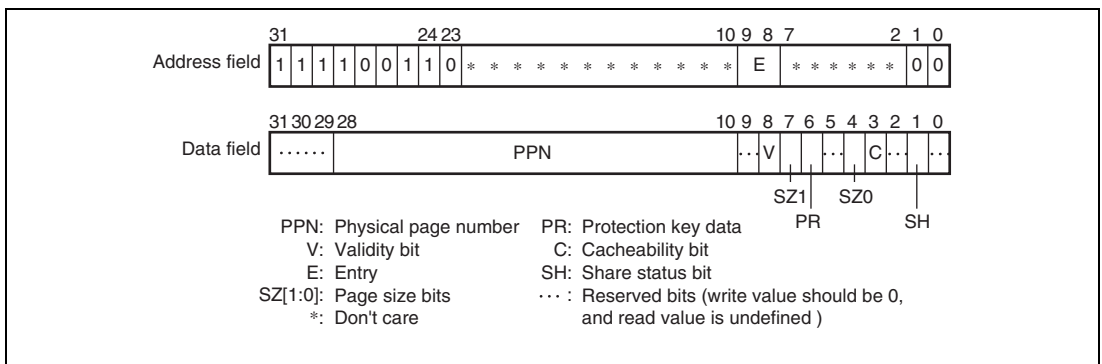


Figure 7.19 Memory-Mapped ITLB Data Array (TLB Compatible Mode)

7.7.3 ITLB Data Array (TLB Extended Mode)

In TLB extended mode the names of the data arrays have been changed from ITLB data array to ITLB data array 1, ITLB data array 2 is added, and the EPR and ESZ bits are accessible. In TLB extended mode, the PR and SZ bits of ITLB data array 1 are reserved and 0 should be specified as the write value for these bits. In addition, when a write to ITLB data array 1 is performed, a write to ITLB data array 2 of the same entry should always be performed.

In TLB compatible mode (MMUCR.ME = 0), ITLB data array 2 cannot be accessed. Operation if they are accessed is not guaranteed.

(1) ITLB Data Array 1

In TLB extended mode, bits 7, 6, and 4 in the data field, which correspond to the PR and SZ bits in compatible mode, are reserved. Specify 0 as the write value for these bits.

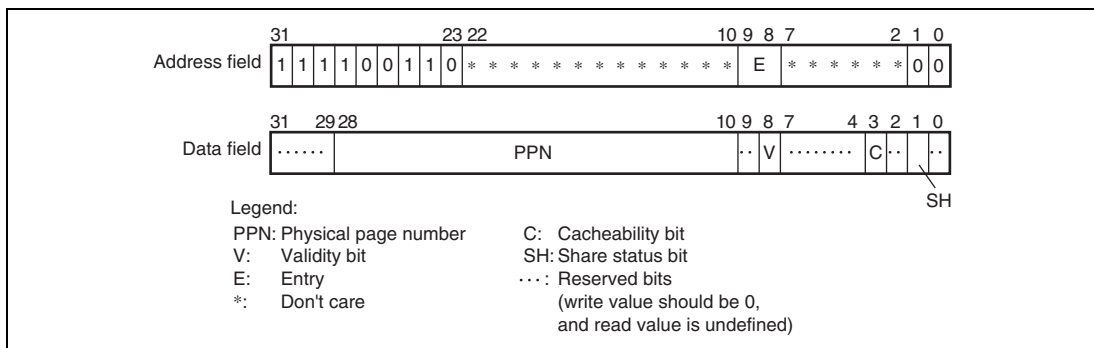


Figure 7.20 Memory-Mapped ITLB Data Array 1 (TLB Extended Mode)

(2) ITLB Data Array 2

The ITLB data array is allocated to addresses H'F380 0000 to H'F3FF FFFF in the P4 area. Access to data array 2 requires a 32-bit address field specification (when reading or writing) and a 32-bit data field specification (when writing). Information for selecting the entry to be accessed is specified in the address field, and EPR and ESZ to be written to data array 2 are specified in the data field.

In the address field, bits [31:23] have the value H'F38 indicating ITLB data array 2 and the entry is specified by bits [9:8].

In the data field, bits [13], [11], [10], and [8] indicate EPR[5], [3], [2], and [0], and bits [7:4] indicate ESZ, respectively.

The following two kinds of operation can be applied to ITLB data array 2:

1. ITLB data array 2 read

EPR and ESZ are read into the data field from the ITLB entry corresponding to the entry set in the address field.

2. ITLB data array 2 write

EPR and ESZ specified in the data field are written to the ITLB entry corresponding to the entry set in the address field.

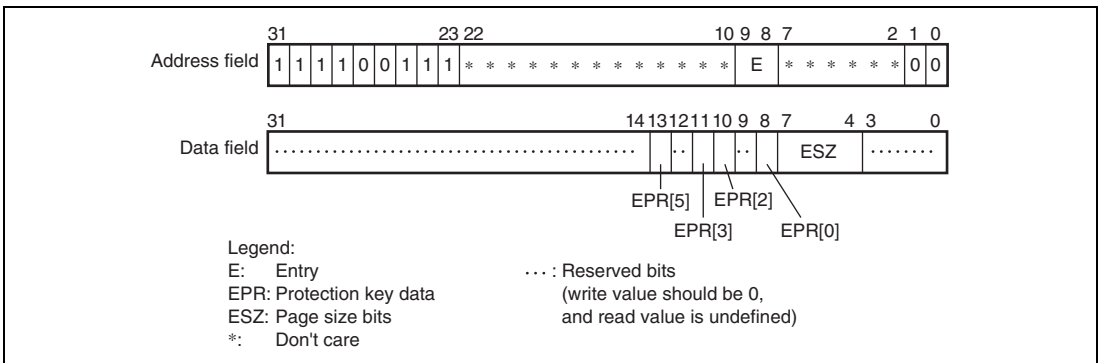


Figure 7.21 Memory-Mapped ITLB Data Array 2 (TLB Extended Mode)

7.7.4 UTLB Address Array

The UTLB address array is allocated to addresses H'F600 0000 to H'F60F FFFF in the P4 area. An address array access requires a 32-bit address field specification (when reading or writing) and a 32-bit data field specification (when writing). Information for selecting the entry to be accessed is specified in the address field, and VPN, D, V, and ASID to be written to the address array are specified in the data field.

In the address field, bits [31:20] have the value H'F60 indicating the UTLB address array and the entry is specified by bits [13:8]. Bit [7] that is the association bit (A bit) in the address field specifies whether address comparison is performed in a write to the UTLB address array.

In the data field, bits [31:10] indicate VPN, bit [9] indicates D, bit [8] indicates V, and bits [7:0] indicate ASID.

The following three kinds of operation can be used on the UTLB address array:

1. UTLB address array read

VPN, D, V, and ASID are read into the data field from the UTLB entry corresponding to the entry set in the address field. In a read, associative operation is not performed regardless of whether the association bit specified in the address field is 1 or 0.

2. UTLB address array write (non-associative)

VPN, D, V, and ASID specified in the data field are written to the UTLB entry corresponding to the entry set in the address field. The A bit in the address field should be cleared to 0.

3. UTLB address array write (associative)

When a write is performed with the A bit in the address field set to 1, comparison of all the UTLB entries is carried out using the VPN specified in the data field and ASID in PTEH. The usual address comparison rules are followed, but if a UTLB miss occurs, the result is no operation, and an exception is not generated. If the comparison identifies a UTLB entry corresponding to the VPN specified in the data field, D and V specified in the data field are written to that entry. This associative operation is simultaneously carried out on the ITLB, and if a matching entry is found in the ITLB, V is written to that entry. Even if the UTLB comparison results in no operation, a write to the ITLB is performed as long as a matching entry is found in the ITLB. If there is a match in both the UTLB and ITLB, the UTLB information is also written to the ITLB.

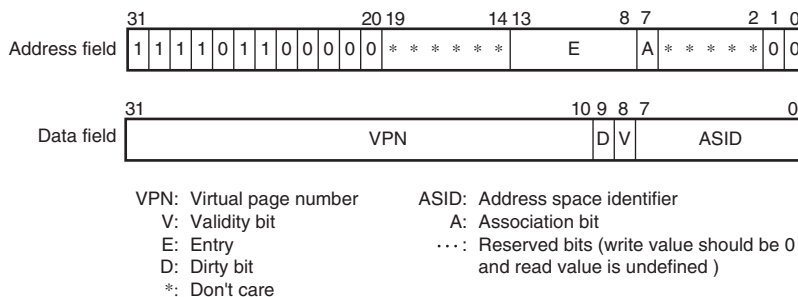


Figure 7.22 Memory-Mapped UTLB Address Array

7.7.5 UTLB Data Array (TLB Compatible Mode)

The UTLB data array is allocated to addresses H'F700 0000 to H'F70F FFFF in the P4 area. A data array access requires a 32-bit address field specification (when reading or writing) and a 32-bit data field specification (when writing). Information for selecting the entry to be accessed is specified in the address field, and PPN, V, SZ, PR, C, D, SH, and WT to be written to data array are specified in the data field.

In the address field, bits [31:20] have the value H'F70 indicating UTLB data array and the entry is specified by bits [13:8].

In the data field, bits [28:10] indicate PPN, bit [8] indicates V, bits [7] and [4] indicate SZ, bits [6:5] indicate PR, bit [3] indicates C, bit [2] indicates D, bit [1] indicates SH, and bit [0] indicates WT.

The following two kinds of operation can be used on UTLB data array:

1. UTLB data array read

PPN, V, SZ, PR, C, D, SH, and WT are read into the data field from the UTLB entry corresponding to the entry set in the address field.

2. UTLB data array write

PPN, V, SZ, PR, C, D, SH, and WT specified in the data field are written to the UTLB entry corresponding to the entry set in the address field.

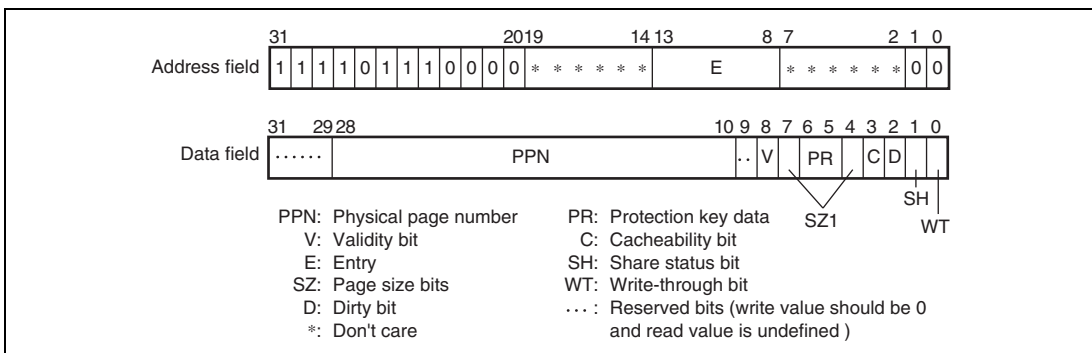


Figure 7.23 Memory-Mapped UTLB Data Array (TLB Compatible Mode)

7.7.6 UTLB Data Array (TLB Extended Mode)

In TLB extended mode, the names of the data arrays have been changed from UTLB data array to UTLB data array 1, UTLB data array 2 is added, and the EPR and ESZ bits are accessible. In TLB extended mode, the PR and SZ bits of UTLB data array 1 are reserved and 0 should be specified as the write value for these bits. In addition, when a write to UTLB data array 1 is performed, a write to UTLB data array 2 of the same entry should always be performed after that.

In TLB compatible mode (MMUCR.ME = 0), UTLB data array 2 cannot be accessed. Operation if they are accessed is not guaranteed.

(1) UTLB Data Array 1

In TLB extended mode, bits 7 to 4 in the data field, which correspond to the PR and SZ bits in compatible mode, are reserved. Specify 0 as the write value for these bits.

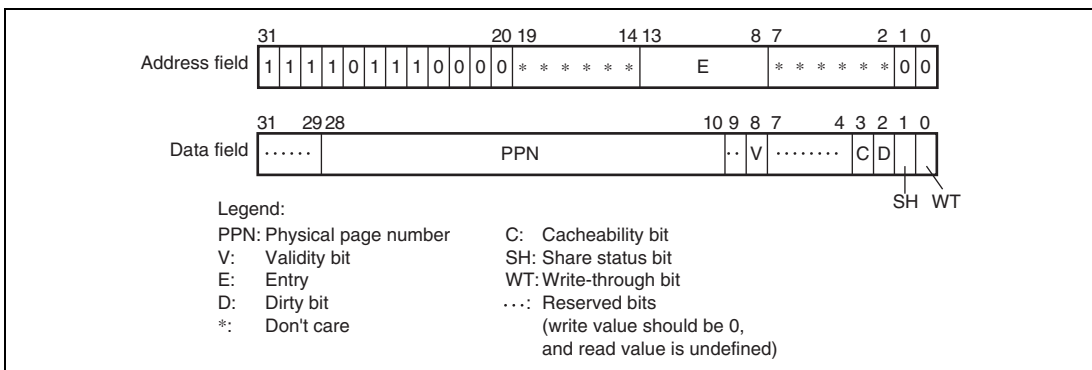


Figure 7.24 Memory-Mapped UTLB Data Array 1 (TLB Extended Mode)

(2) UTLB Data Array 2

The UTLB data array is allocated to addresses H'F780 0000 to H'F78F FFFF in the P4 area. Access to data array 2 requires a 32-bit address field specification (when reading or writing) and a 32-bit data field specification (when writing). Information for selecting the entry to be accessed is specified in the address field, and EPR and ESZ to be written to data array 2 are specified in the data field.

In the address field, bits [31:20] have the value H'F78 indicating UTLB data array 2 and the entry is specified by bits [13:8].

In the data field, bits [13:8] indicate EPR, and bits [7:4] indicate ESZ, respectively.

The following two kinds of operation can be applied to UTLB data array 2:

1. UTLB data array 2 read

EPR and ESZ are read into the data field from the UTLB entry corresponding to the entry set in the address field.

2. UTLB data array 2 write

EPR and ESZ specified in the data field are written to the UTLB entry corresponding to the entry set in the address field.

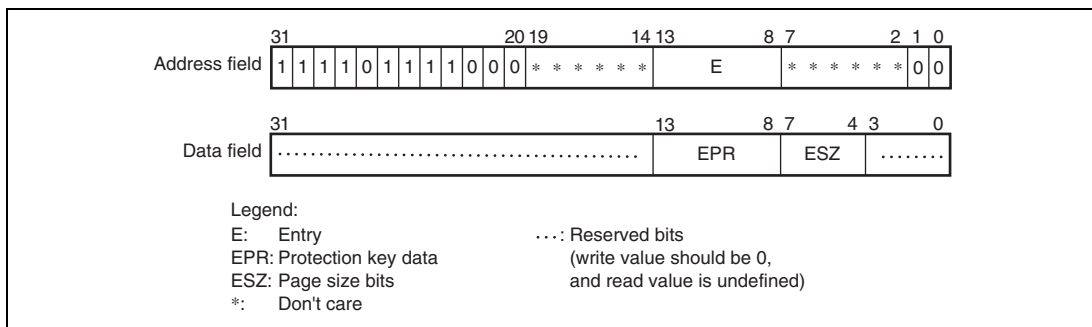


Figure 7.25 Memory-Mapped UTLB Data Array 2 (TLB Extended Mode)

7.8 32-Bit Address Extended Mode

Setting the SE bit in PASCRCR to 1 changes mode from 29-bit address mode which handles the 29-bit physical address space to 32-bit address extended mode which handles the 32-bit physical address space.

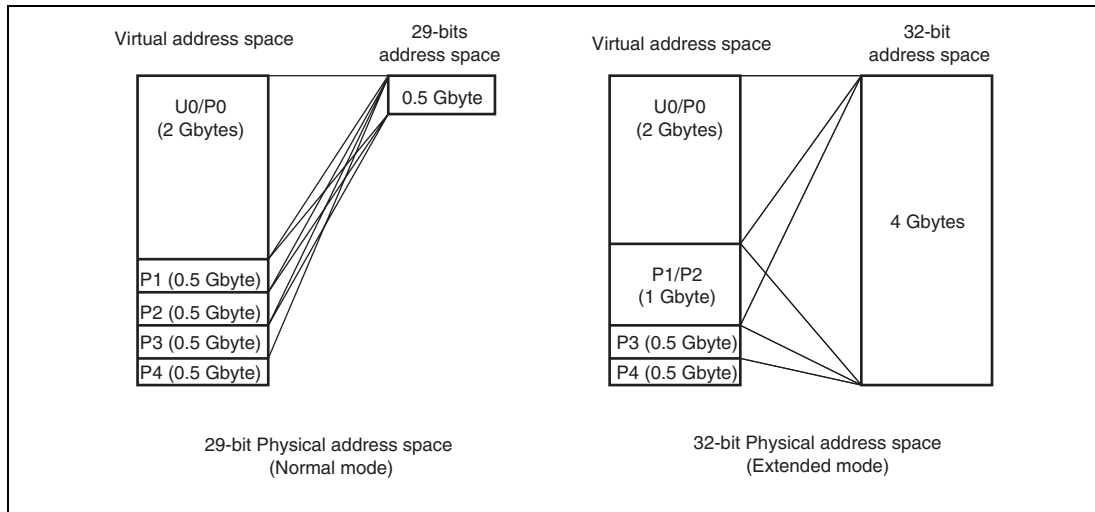


Figure 7.26 Physical Address Space (32-Bit Address Extended Mode)

7.8.1 Overview of 32-Bit Address Extended Mode

In 32-bit address extended mode, the privileged space mapping buffer (PMB) is introduced. The PMB maps virtual addresses in the P1 or P2 area which are not translated in 29-bit address mode to the 32-bit physical address space. In areas which are target for address translation of the TLB (UTLB/ITLB), upper three bits in the PPN field of the UTLB or ITLB are extended and then addresses after the TLB translation can handle the 32-bit physical addresses.

As for the cache operation, P1 area is cacheable and P2 area is non-cacheable in the case of 29-bit address mode, but the cache operation of both P1 and P2 area are determined by the C bit and WT bit in the PMB in the case of 32-bit address mode.

7.8.2 Transition to 32-Bit Address Extended Mode

This LSI enters 29-bit address mode after a power-on reset. Transition is made to 32-bit address extended mode by setting the SE bit in PASCRA to 1. In 32-bit address extended mode, the MMU operates as follows.

1. When the AT bit in MMUCR is 0, virtual addresses in the U0, P0, or P3 area become 32-bit physical addresses. Addresses in the P1 or P2 area are translated according to the PMB mapping information. B'10 should be set to the upper 2 bits of virtual page number (VPN[31:30]) in the PMB in order to indicate P1 or P2 area. The operation is not guaranteed when the value except B'10 is set to these bits.
2. When the AT bit in MMUCR is 1, virtual addresses in the U0, P0, or P3 area are translated to 32-bit physical addresses according to the TLB conversion information. Addresses in the P1 or P2 area are translated according to the PMB mapping information. B'10 should be set to the upper 2 bits of virtual page number (VPN[31:30]) in the PMB in order to indicate P1 or P2 area. The operation is not guaranteed when the value except B'10 is set to these bits.
3. Regardless of the setting of the AT bit in MMUCR, bits 31 to 29 in physical addresses become B'111 in the control register area (addresses H'FC00 0000 to H'FFFF FFFF). When the control register area is recorded in the UTLB and accessed, B'111 should be set to PPN[31:29].

7.8.3 Privileged Space Mapping Buffer (PMB) Configuration

In 32-bit address extended mode, virtual addresses in the P1 or P2 area are translated according to the PMB mapping information. The PMB has 16 entries and configuration of each entry is as follows.

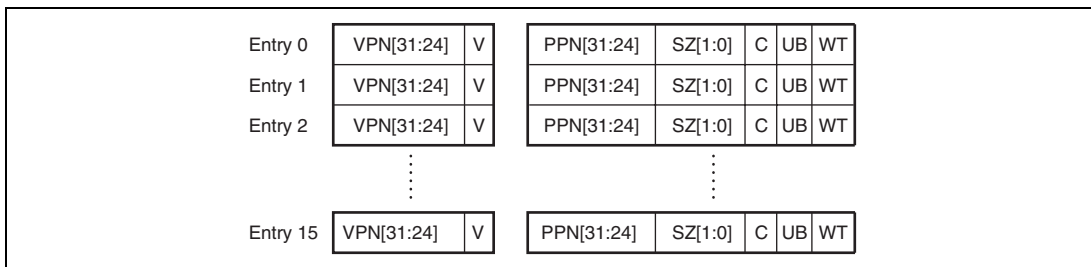


Figure 7.27 PMB Configuration

Legend:

- **VPN:** Virtual page number
 - For 16-Mbyte page: Upper 8 bits of virtual address
 - For 64-Mbyte page: Upper 6 bits of virtual address
 - For 128-Mbyte page: Upper 5 bits of virtual address
 - For 512-Mbyte page: Upper 3 bits of virtual address

Note: B'10 should be set to the upper 2 bits of VPN in order to indicate P1 or P2 area.

- **SZ:** Page size bits
 - Specify the page size.
 - 00: 16-Mbyte page
 - 01: 64-Mbyte page
 - 10: 128-Mbyte page
 - 11: 512-Mbyte page

- **V:** Validity bit
 - Indicates whether the entry is valid.
 - 0: Invalid
 - 1: Valid
 - Cleared to 0 by a power-on reset.
 - Not affected by a manual reset.

- **PPN:** Physical page number
 - Upper 8 bits of the physical address of the physical page number.
 - With a 16-Mbyte page, PPN[31:24] are valid.
 - With a 64-Mbyte page, PPN[31:26] are valid.
 - With a 128-Mbyte page, PPN[31:27] are valid.
 - With a 512-Mbyte page, PPN[31:29] are valid.

- **C:** Cacheability bit
 - Indicates whether a page is cacheable.
 - 0: Not cacheable
 - 1: Cacheable

- **WT: Write-through bit**
Specifies the cache write mode.
 - 0: Copy-back mode
 - 1: Write-through mode
- **UB: Buffered write bit**
Specifies whether a buffered write is performed.
 - 0: Buffered write (Data access of subsequent processing proceeds without waiting for the write to complete.)
 - 1: Unbuffered write (Data access of subsequent processing is stalled until the write has completed.)

7.8.4 PMB Function

This LSI supports the following PMB functions.

1. Only memory-mapped write can be used for writing to the PMB. The LDTLB instruction cannot be used to write to the PMB.
2. Software must ensure that every accessed P1 or P2 address has a corresponding PMB entry before the access occurs. When an access to an address in the P1 or P2 area which is not recorded in the PMB is made, this LSI is reset by the TLB. In this case, the accessed address in the P1 or P2 area which causes the TLB reset is stored in the TEA and code H'140 in the EXPEVT.
3. The SH-4A does not guarantee the operation when multiple hit occurs in the PMB. Special care should be taken when the PMB mapping information is recorded by software.
4. The PMB does not have an associative write function.
5. Since there is no PR field in the PMB, read/write protection cannot be preformed. The address translation target of the PMB is the P1 or P2 address. In user mode access, an address error exception occurs.
6. Both entries from the UTLB and PMB are mixed and recorded in the ITLB by means of the hardware ITLB miss handling. However, these entries can be identified by checking whether VPN[31:30] is 10 or not. When an entry from the PMB is recorded in the ITLB, H'00, 01, and 1 are recorded in the ASID, PR, and SH fields which do not exist in the PMB, respectively.

7.8.5 Memory-Mapped PMB Configuration

To enable the PMB to be managed by software, its contents are allowed to be read from and written to by a P1 or P2 area program with a MOV instruction in privileged mode. The PMB address array is allocated to addresses H'F610 0000 to H'F61F FFFF in the P4 area and the PMB data array to addresses H'F710 0000 to H'F71F FFFF in the P4 area. VPN and V in the PMB can be accessed as an address array, PPN, V, SZ, C, WT, and UB as a data array. V can be accessed from both the address array side and the data array side. A program which executes a PMB memory-mapped access should be placed in the page area at which the C bit in PMB is cleared to 0.

1. PMB address array read

When memory reading is performed while bits 31 to 20 in the address field are specified as H'F61 which indicates the PMB address array and bits 11 to 8 in the address field as an entry, bits 31 to 24 in the data field are read as VPN and bit 8 in the data field as V.

2. PMB address array write

When memory writing is performed while bits 31 to 20 in the address field are specified as H'F61 which indicates the PMB address array and bits 11 to 8 in the address field as an entry, and bits 31 to 24 in the data field are specified as VPN and bit 8 in the data field as V, data is written to the specified entry.

3. PMB data array read

When memory reading is performed while bits 31 to 20 in the address field are specified as H'F71 which indicates the PMB data array and bits 11 to 8 in the address field as an entry, bits 31 to 24 in the data field are read as PPN, bit 9 in the data field as UB, bit 8 in the data field as V, bits 7 and 4 in the data field as SZ, bit 3 in the data field as C, and bit 0 in the data field as WT.

4. PMB data array write

When memory writing is performed while bits 31 to 20 in the address field are specified as H'F71 which indicates the PMB data array and bits 11 to 8 in the address field as an entry, and bits 31 to 24 in the data field are specified as PPN, bit 9 in the data field as UB, bit 8 in the data field as V, bits 7 and 4 in the data field as SZ, bit 3 in the data field as C, and bit 0 in the data field as WT, data is written to the specified entry.

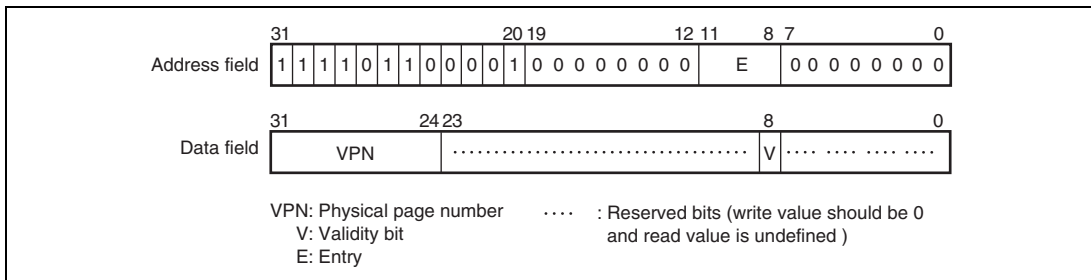


Figure 7.28 Memory-Mapped PMB Address Array

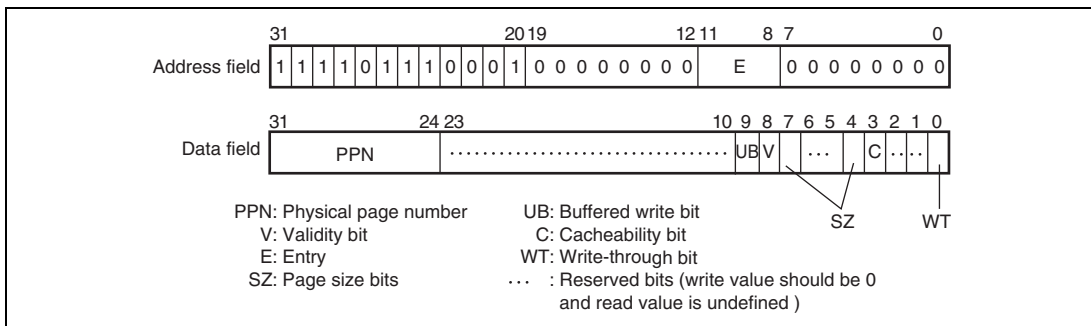


Figure 7.29 Memory-Mapped PMB Data Array

7.8.6 Notes on Using 32-Bit Address Extended Mode

When using 32-bit address extended mode, note that the items described in this section are extended or changed as follows.

(1) PASCR

The SE bit is added in bit 31 in the control register (PASCR). The bits 6 to 0 of the UB in the PASCR are invalid (Note that the bit 7 of the UB is still valid). When writing to the P1 or P2 area, the UB bit in the PMB controls whether a buffered write is performed or not. When the MMU is enabled, the UB bit in the TLB controls writing to the P0, P3, or U0 area. When the MMU is disabled, writing to the P0, P3, or U0 area is always performed as a buffered write.

Bit	Bit Name	Initial Value	R/W	Description
31	SE	0	R/W	0: 29-bit address mode 1: 32-bit address extended mode

Bit	Bit Name	Initial Value	R/W	Description
30 to 8	—	All 0	R	Reserved For details on reading from or writing to these bits, see description in General Precautions on Handling of Product.
7 to 0	UB	All 0	R/W	Buffered Write Control for Each Area (64 Mbytes) When writing is performed without using the cache or in the cache write-through mode, these bits specify whether the CPU waits for the end of writing for each area. 0: The CPU does not wait for the end of writing 1: The CPU stalls and waits for the end of writing UB[7]: Corresponding to the control register area UB[6:0]: These bits are invalid in 32-bit address extended mode.

(2) ITLB

The PPN field in the ITLB is extended to bits 31 to 10.

(3) UTLB

The PPN field in the UTLB is extended to bits 31 to 10. The same UB bit as that in the PMB is added in each entry of the UTLB.

- **UB: Buffered write bit**
Specifies whether a buffered write is performed.
0: Buffered write (Subsequent processing proceeds without waiting for the write to complete.)
1: Unbuffered write (Subsequent processing is stalled until the write has completed.)

In a memory-mapped TLB access, the UB bit can be read from or written to by bit 9 in the data array.

(4) PTEL

The same UB bit as that in the PMB is added in bit 9 in PTEL. This UB bit is written to the UB bit in the UTLB by the LDTLB instruction. The PPN field is extended to bits 31 to 10.

(5) CCR.CB

The CB bit in CCR is invalid. Whether a cacheable write for the P1 area is performed in copy-back mode or write-through mode is determined by the WT bit in the PMB.

(6) IRMCR.MT

The MT bit in IRMCR is valid for a memory-mapped PMB write.

(7) QACR0, QACR1

AREA0[4:2]/AREA1[4:2] fields of QACR0/QACR1 are extended to AREA0[7:2]/AREA1[7:2] corresponding to physical address [31:26].

(8) LSA0, LSA1, LDA0, LDA1

L0SADR, L1SADR, L0DADR, and L1DADR fields are extended to bits 31 to 10.

When using 32-bit address mode, the following notes should be applied to software.

1. For the SE bit switching, switching from 0 to 1 is only supported in a boot routine which is allocated in an area where caching and TLB-based address translation are not allowed and runs after a power-on reset or manual reset.
2. After switching the SE bit, an area in which the program is allocated becomes the target of the PMB address translation. Therefore, the area should be recorded in the PMB before switching the SE bit. An address which may be accessed in the P1 or P2 area such as the exception handler should also be recorded in the PMB.
3. When an external memory access occurs by an operand memory access located before the MOV.L instruction which switches the SE bit, external memory space addresses accessed in both address modes should be the same.
4. Note that the V bit is mapped to both address array and data array in PMB registration. That is, first write 0 to the V bit in one of arrays and then write 1 to the V bit in another array.

7.9 32-Bit Boot Function

The address mode of this LSI after a power-on reset or manual reset can be switched between 29-bit address mode and 32-bit address extended mode by specifying external pins. The following changes apply when this LSI is booted up in 32-bit address extended mode.

7.9.1 Initial Entries to PMB

When 32-bit address extended mode is specified by external pins, the following initial entries are recorded in the PMB after a power-on reset or manual reset, and the SE bit in the PASCRCR register is initialized to 1. For entries 2 to 15, only the V bit is initialized to 0.

Entry	VPN[31:24]	PPN[31:24]	V	SZ[1:0]	C	UB	WT
0	10000000	00000000	1	11	1	0	1
1	10100000	00000000	1	11	0	0	0

7.9.2 Notes on 32-Bit Boot

Immediately after a power-on or manual reset, the P1 or P2 area is mapped to the PMB. Therefore, when an area other than that indicated by the initial entry needs to be mapped, follow the procedures below to modify the PMB, taking care not to generate PMB misses and multiple PMB hits. The procedure should be set up within the boot routine and should be executed before activation of the caches and TLB (CCR.ICE = 1, CCR.OCE = 1, and MMUCR.AT = 1). Do not use routines other than the boot routine to change the value recorded in the PMB.

(1) When the Program Modifying the PMB is in the P1 or P2 Area

1. Read the initial entry, change only the SZ bits to reduce the page size, and save the new value over the previous entry. The program that changes the PMB should be allocated within 1 Mbyte of the top of the page with the reduced size.
2. Invalidate the entry remaining in the ITLB that corresponds to the PMB by writing 1 to the TI bit in the MMUCR register.
3. In the memory-mapped PMB, record PMB entries to fill the P1 or P2 area in which the PMB translation information is evicted by step 1.
4. Execute one of the following steps, A, B, and C. Do not execute a branch or operand access for the P1 or P2 area in which the PMB translation information is evicted by step 1.
 - A. Perform a branch using the RTE instruction.
 - B. Execute the ICBI instruction for any address (including non-cacheable area).

C. If the MT bit in IRMCR is set to 0 (initial value) before accessing the memory-mapped PMB, no specific sequence is required.

However, correct operation with method C may no longer be guaranteed in future SuperH-family products. Selection of step A or B is recommended to ensure compatibility with future SuperH-family products.

(2) When the Program Modifying the PMB is in Areas Other than the P1 or P2 Area

1. Invalidate the entry remaining in the ITLB by writing 1 to the TI bit in MMUCR.
2. In the memory-mapped PMB, change PMB entries.
3. Execute one of the following steps, A, B, and C. Do not execute a branch or operand access for the P1 or P2 area before this execution.
 - A. Perform a branch using the RTE instruction.
 - B. Execute the ICBI instruction for any address (including non-cacheable area).
 - C. If the MT bit in IRMCR is set to 0 (initial value) before accessing the memory-mapped PMB, no specific sequence is required.

However, correct operation with method C may no longer be guaranteed in future SuperH-family products. Selection of step A or B is recommended to ensure compatibility with future SuperH-family products.

7.10 Usage Notes

7.10.1 Note on Using LDTLB Instruction

When using an LDTLB instruction instead of software to a value to the MMUCR.URC, execute 1 or 2 below.

1. In 29-bit address mode, follow A. and B. below. In 32-bit address mode, follow A. through D. below.
 - A. Place the TLB miss exception handling routine*¹ only in the P1, P2 area ,or the on-chip memory so that all the instruction accesses*³ in the TLB miss exception handling routine should occur solely in the P1, P2 area, or the on-chip memory. Clear the RP bit in the RAMCR register to 0 (initial value), when the TLB miss exception handling routine is placed in the on-chip memory.
 - B. Use only one page of the PMB for instruction accesses*³ in the TLB miss exception handling routine*¹. In 32-bit address mode, do not place them in the last 64 bytes of a page of the PMB.
 - C. In 32-bit address mode, obey 1 and 2 below when recording information in the UTLB in the MMU-related exception*² handling routine.
 - a. When thea TLB miss exception occurs, and recording the information of a page with the access right in the UTLB, do not record the page, in which the exception has occurred, in the UTLB using the following two operations.
 - Specifies the protection key data that causes a protection violation exception upon re-execution of the instruction that has caused the TLB miss exception and records the page, in which the TLB miss exception has occurred, in the UTLB.
 - Specifies the protection key data that does not cause a protection violation exception in the protection violation exception handling routine to record the page in the UTLB and re-executes the instruction that has caused the protection violation exception.
 - b. When an initial page write exception occurs and the TLB entry in the UTLB of which the dirty bit is 1 is replaced, before the write instruction for the page corresponding to this replaced TLB entry is completed, register the TLB entry of which the dirty bit is 1.
 - D. Do not make an attempt to execute the FDIV or FSQRT instruction in the TLB miss exception handling routine.
2. If a TLB miss exception occurs, add 1 to MMUCR.URC before executing an LDTLB instruction.

- Notes:
1. An exception handling routine is an entire set of instructions that are executed from the address (VBR + offset) upon occurrence of an exception to the RTE for returning to the original program or to the RTE delay slot.
 2. MMU-related exceptions are: instruction TLB miss exception, instruction TLB miss protection violation exception, data TLB miss exception, data TLB protection violation exception, and initial page write exception.
 3. Instruction accesses include the PREFI and ICBI instructions.

Section 8 Caches

This LSI has an on-chip 32-Kbyte instruction cache (IC) for instructions and an on-chip 32-Kbyte operand cache (OC) for data.

8.1 Features

The features of the cache are given in table 8.1.

This LSI supports two 32-byte store queues (SQs) to perform high-speed writes to external memory. The features of the store queues are given in table 8.2.

Table 8.1 Cache Features

Item	Instruction Cache	Operand Cache
Capacity	32-Kbyte cache	32-Kbyte cache
Type	4-way set-associative, virtual address index/physical address tag	4-way set-associative, virtual address index/physical address tag
Line size	32 bytes	32 bytes
Entries	256 entries/way	256 entries/way
Write method	—	Copy-back/write-through selectable
Replacement method	LRU (least-recently-used) algorithm	LRU (least-recently-used) algorithm

Table 8.2 Store Queue Features

Item	Store Queues
Capacity	32 bytes × 2
Addresses	H'E000 0000 to H'E3FF FFFF
Write	Store instruction (1-cycle write)
Write-back	Prefetch instruction (PREF instruction)
Access right	When MMU is disabled: Determined by SQMD bit in MMUCR When MMU is enabled: Determined by PR for each page

The operand cache of this LSI is 4-way set associative, each may comprising 256 cache lines. Figure 8.1 shows the configuration of the operand cache.

The instruction cache is 4-way set-associative, each way comprising 256 cache lines. Figure 8.2 shows the configuration of the instruction cache.

This LSI has an IC way prediction scheme to reduce power consumption. In addition, memory-mapped associative writing, which is detectable as an exception, can be enabled by using the non-support detection exception register (EXPMASK). For details, see section 5, Exception Handling.

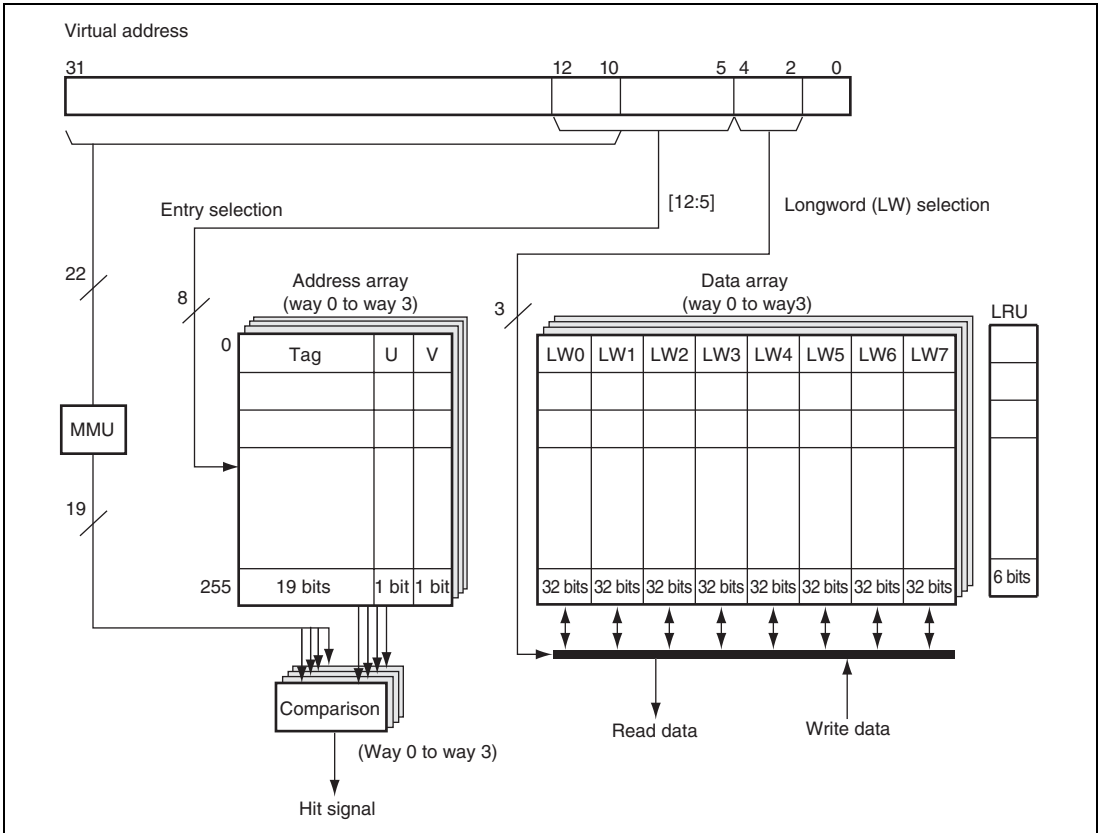


Figure 8.1 Configuration of Operand Cache (Cache size = 32 Kbytes)

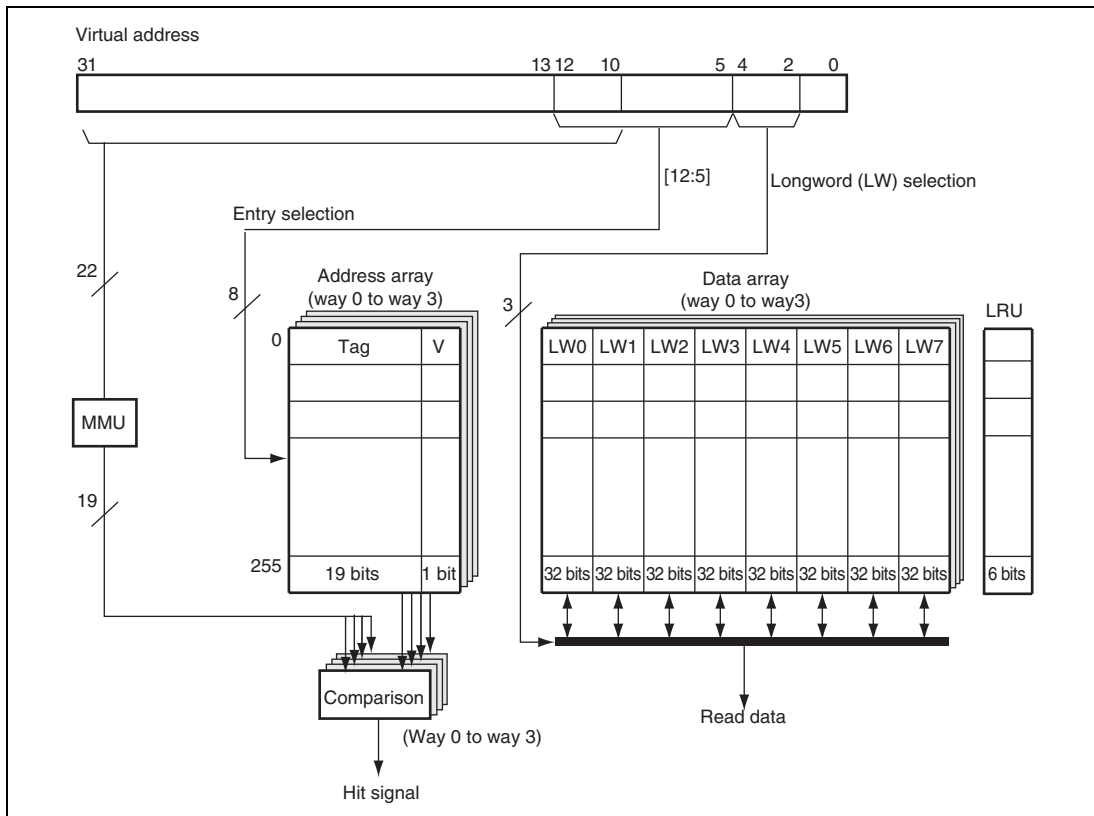


Figure 8.2 Configuration of Instruction Cache (Cache size = 32 Kbytes)

- Tag**
 Stores the upper 19 bits of the 29-bit physical address of the data line to be cached. The tag is not initialized by a power-on or manual reset.
- V bit (validity bit)**
 Indicates that valid data is stored in the cache line. When this bit is 1, the cache line data is valid. The V bit is initialized to 0 by a power-on reset, but retains its value in a manual reset.
- U bit (dirty bit)**
 The U bit is set to 1 if data is written to the cache line while the cache is being used in copy-back mode. That is, the U bit indicates a mismatch between the data in the cache line and the data in external memory. The U bit is never set to 1 while the cache is being used in write-through mode, unless it is modified by accessing the memory-mapped cache (see section 8.6, Memory-Mapped Cache Configuration). The U bit is initialized to 0 by a power-on reset, but retains its value in a manual reset.

- Data array

The data field holds 32 bytes (256 bits) of data per cache line. The data array is not initialized by a power-on or manual reset.

- LRU

In a 4-way set-associative method, up to 4 items of data can be registered in the cache at each entry address. When an entry is registered, the LRU bit indicates which of the 4 ways it is to be registered in. The LRU mechanism uses 6 bits of each entry, and its usage is controlled by hardware. The LRU (least-recently-used) algorithm is used for way selection, and selects the less recently accessed way. The LRU bits are initialized to 0 by a power-on reset but not by a manual reset. The LRU bits cannot be read from or written to by software.

8.2 Register Descriptions

The following registers are related to cache.

Table 8.3 Register Configuration

Register Name	Abbreviation	R/W	P4 Address*	Area 7 Address*	Size
Cache control register	CCR	R/W	H'FF00 001C	H'1F00 001C	32
Queue address control register 0	QACR0	R/W	H'FF00 0038	H'1F00 0038	32
Queue address control register 1	QACR1	R/W	H'FF00 003C	H'1F00 003C	32
On-chip memory control register	RAMCR	R/W	H'FF00 0074	H'1F00 0074	32

Note: * These P4 addresses are for the P4 area in the virtual address space. These area 7 addresses are accessed from area 7 in the physical address space by means of the TLB.

Table 8.4 Register States in Each Processing State

Register Name	Abbreviation	Power-on Reset	Manual Reset	Sleep	Standby
Cache control register	CCR	H'0000 0000	H'0000 0000	Retained	Retained
Queue address control register 0	QACR0	Undefined	Undefined	Retained	Retained
Queue address control register 1	QACR1	Undefined	Undefined	Retained	Retained
On-chip memory control register	RAMCR	H'0000 0000	H'0000 0000	Retained	Retained

8.2.1 Cache Control Register (CCR)

CCR controls the cache operating mode, the cache write mode, and invalidation of all cache entries.

CCR modifications must only be made by a program in the non-cacheable P2 area or IL memory. After CCR has been updated, execute one of the following three methods before an access (including an instruction fetch) to the cacheable area is performed.

1. Execute a branch using the RTE instruction. In this case, the branch destination may be the cacheable area.
2. Execute the ICBI instruction for any address (including non-cacheable area).
3. If the R2 bit in IRMCR is 0 (initial value) before updating CCR, the specific instruction does not need to be executed. However, note that the CPU processing performance will be lowered because the instruction fetch is performed again for the next instruction after CCR has been updated.

Note that the method 3 may not be guaranteed in the future SuperH Series. Therefore, it is recommended that the method 1 or 2 should be used for being compatible with the future SuperH Series.

Bit:	31	30	29	28	27	26	25	24	23	22	21	20	19	18	17	16
	—	—	—	—	—	—	—	—	—	—	—	—	—	—	—	—
Initial value:	0	0	0	0	0	0	0	0	0	0	0	0	0	0	0	0
R/W:	R	R	R	R	R	R	R	R	R	R	R	R	R	R	R	R
Bit:	15	14	13	12	11	10	9	8	7	6	5	4	3	2	1	0
	—	—	—	—	ICI	—	—	ICE	—	—	—	—	OCl	CB	WT	OCE
Initial value:	0	0	0	0	0	0	0	0	0	0	0	0	0	0	0	0
R/W:	R	R	R	R	R/W	R	R	R/W	R	R	R	R	R/W	R/W	R/W	R/W

Bit	Bit Name	Initial Value	R/W	Description
31 to 12	—	All 0	R	Reserved For details on reading from or writing to these bits, see description in General Precautions on Handling of Product.
11	ICI	0	R/W	IC Invalidation Bit When 1 is written to this bit, the V bits of all IC entries are cleared to 0. This bit is always read as 0.

Bit	Bit Name	Initial Value	R/W	Description
10, 9	—	All 0	R	Reserved For details on reading from or writing to these bits, see description in General Precautions on Handling of Product.
8	ICE	0	R/W	IC Enable Bit Selects whether the IC is used. Note however when address translation is performed, the IC cannot be used unless the C bit in the page management information is also 1. 0: IC not used 1: IC used
7 to 4	—	All 0	R	Reserved For details on reading from or writing to these bits, see description in General Precautions on Handling of Product.
3	OCI	0	R/W	OC Invalidation Bit When 1 is written to this bit, the V and U bits of all OC entries are cleared to 0. This bit is always read as 0.
2	CB	0	R/W	Copy-Back Bit Indicates the P1 area cache write mode. 0: Write-through mode 1: Copy-back mode
1	WT	0	R/W	Write-Through Mode Indicates the P0, U0, and P3 area cache write mode. When address translation is performed, the value of the WT bit in the page management information has priority. 0: Copy-back mode 1: Write-through mode
0	OCE	0	R/W	OC Enable Bit Selects whether the OC is used. Note however when address translation is performed, the OC cannot be used unless the C bit in the page management information is also 1. 0: OC not used 1: OC used

8.2.2 Queue Address Control Register 0 (QACR0)

QACR0 specifies the area onto which store queue 0 (SQ0) is mapped when the MMU is disabled.

Bit:	31	30	29	28	27	26	25	24	23	22	21	20	19	18	17	16
	—	—	—	—	—	—	—	—	—	—	—	—	—	—	—	—
Initial value:	0	0	0	0	0	0	0	0	0	0	0	0	0	0	0	0
R/W:	R	R	R	R	R	R	R	R	R	R	R	R	R	R	R	R
Bit:	15	14	13	12	11	10	9	8	7	6	5	4	3	2	1	0
	—	—	—	—	—	—	—	—	—	—	—	AREA0			—	—
Initial value:	0	0	0	0	0	0	0	0	0	0	0	—	—	—	0	0
R/W:	R	R	R	R	R	R	R	R	R	R	R	R/W	R/W	R/W	R	R

Bit	Bit Name	Initial Value	R/W	Description
31 to 5	—	All 0	R	Reserved For details on reading from or writing to these bits, see description in General Precautions on Handling of Product.
4 to 2	AREA0	Undefined	R/W	When the MMU is disabled, these bits generate physical address bits [28:26] for SQ0.
1, 0	—	All 0	R	Reserved For details on reading from or writing to these bits, see description in General Precautions on Handling of Product.

8.2.3 Queue Address Control Register 1 (QACR1)

QACR1 specifies the area onto which store queue 1 (SQ1) is mapped when the MMU is disabled.

Bit:	31	30	29	28	27	26	25	24	23	22	21	20	19	18	17	16
	—	—	—	—	—	—	—	—	—	—	—	—	—	—	—	—
Initial value:	0	0	0	0	0	0	0	0	0	0	0	0	0	0	0	0
R/W:	R	R	R	R	R	R	R	R	R	R	R	R	R	R	R	R
Bit:	15	14	13	12	11	10	9	8	7	6	5	4	3	2	1	0
	—	—	—	—	—	—	—	—	—	—	—	AREA1			—	—
Initial value:	0	0	0	0	0	0	0	0	0	0	0	—	—	—	0	0
R/W:	R	R	R	R	R	R	R	R	R	R	R	R/W	R/W	R/W	R	R

Bit	Bit Name	Initial Value	R/W	Description
31 to 5	—	All 0	R	Reserved For details on reading from or writing to these bits, see description in General Precautions on Handling of Product.
4 to 2	AREA1	Undefined	R/W	When the MMU is disabled, these bits generate physical address bits [28:26] for SQ1.
1, 0	—	All 0	R	Reserved For details on reading from or writing to these bits, see description in General Precautions on Handling of Product.

8.2.4 On-Chip Memory Control Register (RAMCR)

RAMCR controls the number of ways in the IC and OC and prediction of the IC way.

RAMCR modifications must only be made by a program in the non-cacheable P2 area. After RAMCR has been updated, execute one of the following three methods before an access (including an instruction fetch) to the cacheable area, the IL memory area, the OL memory area, or the U memory area is performed.

1. Execute a branch using the RTE instruction. In this case, the branch destination may be the non-cacheable area, the IL memory area, the OL memory area, or the U memory area.
2. Execute the ICBI instruction for any address (including non-cacheable area).
3. If the R2 bit in IRMCR is 0 (initial value) before updating RAMCR, the specific instruction does not need to be executed. However, note that the CPU processing performance will be lowered because the instruction fetch is performed again for the next instruction after RAMCR has been updated.

Note that the method 3 may not be guaranteed in the future SuperH Series. Therefore, it is recommended that the method 1 or 2 should be used for being compatible with the future SuperH Series.

Bit:	31	30	29	28	27	26	25	24	23	22	21	20	19	18	17	16
	—	—	—	—	—	—	—	—	—	—	—	—	—	—	—	—
Initial value:	0	0	0	0	0	0	0	0	0	0	0	0	0	0	0	0
R/W:	R	R	R	R	R	R	R	R	R	R	R	R	R	R	R	R
Bit:	15	14	13	12	11	10	9	8	7	6	5	4	3	2	1	0
	—	—	—	—	—	—	RMD	RP	IC2W	OC2W	ICWPW	—	—	—	—	—
Initial value:	0	0	0	0	0	0	0	0	0	0	0	0	0	0	0	0
R/W:	R	R	R	R	R	R	R/W	R/W	R/W	R/W	R/W	R	R	R	R	R

Bit	Bit Name	Initial Value	R/W	Description
31 to 10	—	All 0	R	Reserved For details on reading from or writing to these bits, see description in General Precautions on Handling of Product.
9	RMD	0	R/W	On-Chip Memory Access Mode Bit For details, see section 9.4, On-Chip Memory Protective Functions.

Bit	Bit Name	Initial Value	R/W	Description
8	RP	0	R/W	On-Chip Memory Protection Enable Bit For details, see section 9.4, On-Chip Memory Protective Functions.
7	IC2W	0	R/W	IC Two-Way Mode bit 0: IC is a four-way operation 1: IC is a two-way operation For details, see section 8.4.3, IC Two-Way Mode.
6	OC2W	0	R/W	OC Two-Way Mode bit 0: OC is a four-way operation 1: OC is a two-way operation For details, see section 8.3.6, OC Two-Way Mode.
5	ICWPD	0	R/W	IC Way Prediction Stop Selects whether the IC way prediction is used. 0: Instruction cache performs way prediction. 1: Instruction cache does not perform way prediction.
4 to 0	—	All 0	R	Reserved For details on reading from or writing to these bits, see description in General Precautions on Handling of Product.

8.3 Operand Cache Operation

8.3.1 Read Operation

When the Operand Cache (OC) is enabled (OCE = 1 in CCR) and data is read from a cacheable area, the cache operates as follows:

1. The tag, V bit, U bit, and LRU bits on each way are read from the cache line indexed by virtual address bits [12:5].
2. The tags read from the each way is compared with bits [28:10] of the physical address resulting from virtual address translation by the MMU:
 - If there is a way whose tag matches and its V bit is 1, see No. 3.
 - If there is no way whose tag matches and its V bit is 1 and the U bit of the way which is selected to replace using the LRU bits is 0, see No. 4.
 - If there is no way whose tag matches and its V bit is 1 and the U bit of the way which is selected to replace using the LRU bits is 1, see No. 5.
3. Cache hit

The data indexed by virtual address bits [4:0] is read from the data field of the cache line on the hit way in accordance with the access size. Then the LRU bits are updated to indicate the hit way is the latest one.

4. Cache miss (no write-back)

Data is read into the cache line on the way, which is selected to replace, from the physical address space corresponding to the virtual address. Data reading is performed, using the wraparound method, in order from the quad-word data(8 bytes) including the cache-missed data. When the corresponding data arrives in the cache, the read data is returned to the CPU. While the remaining data on the cache line is being read, the CPU can execute the next processing. When reading of one line of data is completed, the tag corresponding to the physical address is recorded in the cache, 1 is written to the V bit and 0 is written to the U bit on the way. Then the LRU bit is updated to indicate the way is latest one.

5. Cache miss (with write-back)

The tag and data field of the cache line on the way which is selected to replace are saved in the write-back buffer. Then data is read into the cache line on the way which is selected to replace from the physical address space corresponding to the virtual address. Data reading is performed, using the wraparound method, in order from the quad-word data (8 bytes) including the cache-missed data, and when the corresponding data arrives in the cache, the read data is returned to the CPU. While the remaining one cache line of data is being read, the CPU can execute the next processing. When reading of one line of data is completed, the tag corresponding to the physical address is recorded in the cache, 1 is written to the V bit, and 0 to the U bit. And the LRU bits are updated to indicate the way is latest one. The data in the

write-back buffer is then written back to external memory.

8.3.2 Prefetch Operation

When the Operand Cache (OC) is enabled (OCE = 1 in CCR) and data is prefetched from a cacheable area, the cache operates as follows:

1. The tag, V bit, U bit, and LRU bits on each way are read from the cache line indexed by virtual address bits [12:5].
2. The tag, read from each way, is compared with bits [28:10] of the physical address resulting from virtual address translation by the MMU:
 - If there is a way whose tag matches and its V bit is 1, see No. 3.
 - If there is no way whose tag matches and the V bit is 1, and the U bit of the way which is selected to replace using the LRU bits is 0, see No. 4.
 - If there is no way whose tag matches and the V bit is 1, and the U bit of the way which is selected to replace using the LRU bits is 1, see No. 5.
3. Cache hit

Then the LRU bits are updated to indicate the hit way is the latest one.

4. Cache miss (no write-back)

Data is read into the cache line on the way, which is selected to replace, from the physical address space corresponding to the virtual address. Data reading is performed, using the wraparound method, in order from the quad-word data (8 bytes) including the cache-missed data. In the prefetch operation the CPU doesn't wait the data arrives. While the one cache line of data is being read, the CPU can execute the next processing. When reading of one line of data is completed, the tag corresponding to the physical address is recorded in the cache, 1 is written to the V bit and 0 is written to the U bit on the way. And the LRU bit is updated to indicate the way is latest one.

5. Cache miss (with write-back)

The tag and data field of the cache line on the way which is selected to replace are saved in the write-back buffer. Then data is read into the cache line on the way which is selected to replace from the physical address space corresponding to the virtual address. Data reading is performed, using the wraparound method, in order from the quad-word data (8 bytes) including the cache-missed data. In the prefetch operation the CPU doesn't wait the data arrives. While the one cache line of data is being read, the CPU can execute the next processing. And the LRU bits are updated to indicate the way is latest one. The data in the write-back buffer is then written back to external memory.

8.3.3 Write Operation

When the Operand Cache (OC) is enabled (OCE = 1 in CCR) and data is written to a cacheable area, the cache operates as follows:

1. The tag, V bit, U bit, and LRU bits on each way are read from the cache line indexed by virtual address bits [12:5].
2. The tag, read from each way, is compared with bits [28:10] of the physical address resulting from virtual address translation by the MMU:
 - If there is a way whose tag matches and its V bit is 1, see No. 3 for copy-back and No. 4 for write-through.
 - If there is no way whose tag matches and its V bit is 1 and the U bit of the way which is selected to replace using the LRU bits is 0, see No. 5 for copy-back and No. 7 for write-through.
 - If there is no way whose tag matches and its V bit is 1 and the U bit of the way which is selected to replace using the LRU bits is 1, see No. 6 for copy-back and No. 7 for write-through.
3. Cache hit (copy-back)

A data write in accordance with the access size is performed for the data field on the hit way which is indexed by virtual address bits [4:0]. Then 1 is written to the U bit. The LRU bits are updated to indicate the way is the latest one.
4. Cache hit (write-through)

A data write in accordance with the access size is performed for the data field on the hit way which is indexed by virtual address bits [4:0]. A write is also performed to external memory corresponding to the virtual address. Then the LRU bits are updated to indicate the way is the latest one. In this case, the U bit isn't updated.
5. Cache miss (copy-back, no write-back)

A data write in accordance with the access size is performed for the data field on the hit way which is indexed by virtual address bits [4:0]. Then, the data, excluding the cache-missed data which is written already, is read into the cache line on the way which is selected to replace from the physical address space corresponding to the virtual address.

Data reading is performed, using the wraparound method, in order from the quad-word data (8 bytes) including the cache-missed data. While the remaining data on the cache line is being read, the CPU can execute the next processing. When reading of one line of data is completed, the tag corresponding to the physical address is recorded in the cache, 1 is written to the V bit and the U bit on the way. Then the LRU bit is updated to indicate the way is latest one.

6. Cache miss (copy-back, with write-back)

The tag and data field of the cache line on the way which is selected to replace are saved in the write-back buffer. Then a data write in accordance with the access size is performed for the data field on the hit way which is indexed by virtual address bits [4:0]. Then, the data, excluding the cache-missed data which is written already, is read into the cache line on the way which is selected to replace from the physical address space corresponding to the virtual address. Data reading is performed, using the wraparound method, in order from the quad-word data (8 bytes) including the cache-missed data. While the remaining data on the cache line is being read, the CPU can execute the next processing. When reading of one line of data is completed, the tag corresponding to the physical address is recorded in the cache, 1 is written to the V bit and the U bit on the way. Then the LRU bit is updated to indicate the way is latest one. Then the data in the write-back buffer is then written back to external memory.

7. Cache miss (write-through)

A write of the specified access size is performed to the external memory corresponding to the virtual address. In this case, a write to cache is not performed.

8.3.4 Write-Back Buffer

In order to give priority to data reads to the cache and improve performance, this LSI has a write-back buffer which holds the relevant cache entry when it becomes necessary to purge a dirty cache entry into external memory as the result of a cache miss. The write-back buffer contains one cache line of data and the physical address of the purge destination.

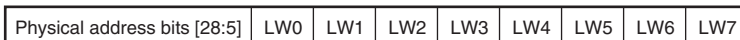


Figure 8.3 Configuration of Write-Back Buffer

8.3.5 Write-Through Buffer

This LSI has a 64-bit buffer for holding write data when writing data in write-through mode or writing to a non-cacheable area. This allows the CPU to proceed to the next operation as soon as the write to the write-through buffer is completed, without waiting for completion of the write to external memory.



Figure 8.4 Configuration of Write-Through Buffer

8.3.6 OC Two-Way Mode

When the OC2W bit in RAMCR is set to 1, OC two-way mode which only uses way 0 and way 1 in the OC is entered. Thus, power consumption can be reduced. In this mode, only way 0 and way 1 are used even if a memory-mapped OC access is made.

The OC2W bit should be modified by a program in the P2 area. At that time, if the valid line has already been recorded in the OC, data should be written back by software, if necessary, 1 should be written to the OCI bit in CCR, and all entries in the OC should be invalid before modifying the OC2W bit.

8.4 Instruction Cache Operation

8.4.1 Read Operation

When the IC is enabled ($ICE = 1$ in CCR) and instruction fetches are performed from a cacheable area, the instruction cache operates as follows:

1. The tag, V bit, U bit and LRU bits on each way are read from the cache line indexed by virtual address bits [12:5].
2. The tag, read from each way, is compared with bits [28:10] of the physical address resulting from virtual address translation by the MMU:
 - If there is a way whose tag matches and the V bit is 1, see No. 3.
 - If there is no way whose tag matches and the V bit is 1, see No. 4.

3. Cache hit

The data indexed by virtual address bits [4:2] is read as an instruction from the data field on the hit way. The LRU bits are updated to indicate the way is the latest one.

4. Cache miss

Data is read into the cache line on the way which selected using LRU bits to replace from the physical address space corresponding to the virtual address. Data reading is performed, using the wraparound method, in order from the quad-word data (8 bytes) including the cache-missed data, and when the corresponding data arrives in the cache, the read data is returned to the CPU as an instruction. While the remaining one cache line of data is being read, the CPU can execute the next processing. When reading of one line of data is completed, the tag corresponding to the physical address is recorded in the cache, and 1 is written to the V bit, the LRU bits are updated to indicate the way is the latest one.

8.4.2 Prefetch Operation

When the IC is enabled ($ICE = 1$ in CCR) and instruction prefetches are performed from a cacheable area, the instruction cache operates as follows:

1. The tag, V bit, Ubit and LRU bits on each way are read from the cache line indexed by virtual address bits [12:5].
2. The tag, read from each way, is compared with bits [28:10] of the physical address resulting from virtual address translation by the MMU:
 - If there is a way whose tag matches and the V bit is 1, see No. 3.
 - If there is no way whose tag matches and the V bit is 1, see No. 4.

3. Cache hit

The LRU bits is updated to indicate the way is the latest one.

4. Cache miss

Data is read into the cache line on a way which selected using the LRU bits to replace from the physical address space corresponding to the virtual address. Data reading is performed, using the wraparound method, in order from the quad-word data (8 bytes) including the cache-missed data. In the prefetch operation, the CPU doesn't wait the data arrived. While the one cache line of data is being read, the CPU can execute the next processing. When reading of one line of data is completed, the tag corresponding to the physical address is recorded in the cache, and 1 is written to the V bit, the LRU bits is updated to indicate the way is the latest one.

8.4.3 IC Two-Way Mode

When the IC2W bit in RAMCR is set to 1, IC two-way mode which only uses way 0 and way 1 in the IC is entered. Thus, power consumption can be reduced. In this mode, only way 0 and way 1 are used even if a memory-mapped IC access is made.

The IC2W bit should be modified by a program in the P2 area. At that time, if the valid line has already been recorded in the IC, 1 should be written to the ICI bit in CCR and all entries in the IC should be invalid before modifying the IC2W bit.

8.4.4 Instruction Cache Way Prediction Operation

This LSI incorporates an instruction cache (IC) way prediction scheme to reduce power consumption. This is achieved by activating only the data array that corresponds to a predicted way. When way prediction misses occur, data must be re-read from the right way, which may lead to lower performance in instruction fetching. Setting the ICWPD bit to 1 disables the IC way prediction scheme. Since way prediction misses do not occur in this mode, there is no loss of performance in instruction fetching but the IC consumes more power. The ICWPD bit should be modified by a program in the non-cacheable P2 area. If a valid line has already been recorded in the IC at this time, invalidate all entries in the IC by writing 1 to the ICI bit in CCR before modifying the ICWPD bit.

8.5 Cache Operation Instruction

8.5.1 Coherency between Cache and External Memory

(1) Cache Operation Instruction

Coherency between cache and external memory should be assured by software. In this LSI, the following six instructions are supported for cache operations. Details of these instructions are given in section 11, Instruction Descriptions of the SH-4A Extended Functions Software Manual.

- Operand cache invalidate instruction: OCBI @Rn
Operand cache invalidation (no write-back)
- Operand cache purge instruction: OCBP @Rn
Operand cache invalidation (with write-back)
- Operand cache write-back instruction: OCBWB @Rn
Operand cache write-back
- Operand cache allocate instruction: MOVCA.L R0,@Rn
Operand cache allocation
- Instruction cache invalidate instruction: ICBI @Rn
Instruction cache invalidation
- Operand access synchronization instruction: SYNCO
Wait for data transfer completion

(2) Coherency Control

The operand cache can receive "PURGE" and "FLUSH" transaction from SuperHyway bus to control the cache coherency. Since the address used by the PURGE and FLUSH transaction is a physical address, do not use the 1 Kbyte page size to avoid cache synonym problem in MMU enable mode.

- PURGE transaction
When the operand cache is enabled, the PURGE transaction checks the operand cache and invalidates the hit entry. If the invalidated entry is dirty, the data is written back to the external memory. If the transaction is not hit to the cache, it is no-operation.

- FLUSH transaction

When the operand cache is enabled, the FLUSH transaction checks the operand cache and if the hit line is dirty, then the data is written back to the external memory. If the transaction is not hit to the cache or the hit entry is not dirty, it is no-operation.

(3) Changes in Instruction Specifications Regarding Coherency Control

Of the operand cache operating instructions, the coherency control-related specifications of OCBI, OCBP, and OCBWB have been changed from those of the SH-4A with H'20-valued VER bits in the processor version register (PVR).

- Changes in the invalidate instruction OCBI@Rn

When Rn is designating an address in a non-cacheable area, this instruction is executed as NOP in the SH-4A with H'20-valued VER bits in the processor version register (PVR). In this LSI, this instruction invalidates the operand cache line designated by way = Rn[14:13] and entry = Rn[12:5] provided that Rn[31:24] = H'F4 (OC address array area). In this process, writing back of the line does not take place even if the line to be invalidated is dirty. This operation is only executable in privileged mode, and an address error exception occurs in user mode. TLB-related exceptions do not occur.

Do not execute this instruction to invalidate the memory-mapped array areas and control register areas for which Rn[31:24] is not H'F4, and their reserved areas (H'F0 to H'F3, H'F5 to H'FF).

- Changes in the purge instruction OCBP@Rn

When Rn is designating an address in a non-cacheable area, this instruction is executed as NOP in the SH-4A with H'20-valued VER bits in the processor version register (PVR). In this LSI, this instruction invalidates the operand cache line designated by way = Rn[14:13] and entry = Rn[12:5] provided that Rn[31:24] = H'F4 (OC address array area). In this process, writing back of the line takes place when the line to be invalidated is dirty. This operation is only executable in privileged mode, and an address error exception occurs in user mode. TLB-related exceptions do not occur.

Do not execute this instruction to invalidate the memory-mapped array areas and control register areas for which Rn[31:24] is not H'F4, and their reserved areas (H'F0 to H'F3, H'F5 to H'FF).

- Changes in the write-back instruction OCBWB@Rn

When Rn is designating an address in a non-cacheable area, this instruction is executed as NOP in the SH-4A with H'20-valued VER bits in the processor version register (PVR). In this LSI, provided that Rn[31:24] = H'F4 (OC address array area), this instruction writes back the operand cache line designated by way = Rn[14:13] and entry = Rn[12:5] if it is dirty and clears

the dirty bit to 0. This operation is only executable in privileged mode, and an address error exception occurs in user mode. TLB-related exceptions do not occur.

Do not execute this instruction to invalidate the memory-mapped array areas and control register areas for which Rn[31:24] is not H'F4, and their reserved areas (H'F0 to H'F3, H'F5 to H'FF).

8.5.2 Prefetch Operation

This LSI supports a prefetch instruction to reduce the cache fill penalty incurred as the result of a cache miss. If it is known that a cache miss will result from a read or write operation, it is possible to fill the cache with data beforehand by means of the prefetch instruction to prevent a cache miss due to the read or write operation, and so improve software performance. If a prefetch instruction is executed for data already held in the cache, or if the prefetch address results in a UTLB miss or a protection violation, the result is no operation, and an exception is not generated. Details of the prefetch instruction are given in section 11, Instruction Descriptions of the SH-4A Extended Functions Software Manual.

- Prefetch instruction (OC) : PREF @Rn
- Prefetch instruction (IC) : PREFI @Rn

8.6 Memory-Mapped Cache Configuration

The IC and OC can be managed by software. The contents of IC data array can be read from or written to by a program in the P2 area by means of a MOV instruction in privileged mode. The contents of IC address array can also be read from or written to in privileged mode by a program in the P2 area or the IL memory area by means of a MOV instruction. Operation is not guaranteed if access is made from a program in another area. In this case, execute one of the following three methods for executing a branch to the P0, U0, P1, or P3 area.

1. Execute a branch using the RTE instruction.
2. Execute a branch to the P0, U0, P1, or P3 area after executing the ICBI instruction for any address (including non-cacheable area).
3. If the MC bit in IRMCR is 0 (initial value) before making an access to the memory-mapped IC, the specific instruction does not need to be executed. However, note that the CPU processing performance will be lowered because the instruction fetch is performed again for the next instruction after making an access to the memory-mapped IC.

Note that the method 3 may not be guaranteed in the future SuperH Series. Therefore, it is recommended that the method 1 or 2 should be used for being compatible with the future SuperH Series.

In privileged mode, the OC contents can be read from or written to by a program in the P1 or P2 area by means of a MOV instruction. Operation is not guaranteed if access is made from a program in another area. The IC and OC are allocated to the P4 area in the virtual address space. Only data accesses can be used on both the IC address array and data array and the OC address array and data array, and accesses are always longword-size. Instruction fetches cannot be performed in these areas. For reserved bits, a write value of 0 should be specified and the read value is undefined.

8.6.1 IC Address Array

The IC address array is allocated to addresses H'F000 0000 to H'F0FF FFFF in the P4 area. An address array access requires a 32-bit address field specification (when reading or writing) and a 32-bit data field specification. The way and entry to be accessed are specified in the address field, and the write tag and V bit are specified in the data field.

In the address field, bits [31:24] have the value H'F0 indicating the IC address array, and the way is specified by bits [14:13] and the entry by bits [12:5]. The association bit (A bit) [3] in the address field specifies whether or not association is performed when writing to the IC address array. As only longword access is used, 0 should be specified for address field bits [1:0].

In the data field, the tag is indicated by bits [31:10], and the V bit by bit [0]. As the IC address array tag is 19 bits in length, data field bits [31:29] are not used in the case of a write in which association is not performed. Data field bits [31:29] are used for the virtual address specification only in the case of a write in which association is performed.

The following three kinds of operation can be used on the IC address array:

1. IC address array read

The tag and V bit are read into the data field from the IC entry corresponding to the way and entry set in the address field. In a read, associative operation is not performed regardless of whether the association bit specified in the address field is 1 or 0.

2. IC address array write (non-associative)

The tag and V bit specified in the data field are written to the IC entry corresponding to the way and entry set in the address field. The A bit in the address field should be cleared to 0.

3. IC address array write (associative)

When a write is performed with the A bit in the address field set to 1, the tag in each way stored in the entry specified in the address field is compared with the tag specified in the data field. The way numbers of bits [14:13] in the address field are not used. If the MMU is enabled at this time, comparison is performed after the virtual address specified by data field bits [31:10] has been translated to a physical address using the ITLB. If the addresses match and the V bit in the way is 1, the V bit specified in the data field is written into the IC entry. In other cases, no operation is performed. This operation is used to invalidate a specific IC entry. If an ITLB miss occurs during address translation, or the comparison shows a mismatch, an exception is not generated, no operation is performed, and the write is not executed.

Note: IC address array associative writing function may not be supported in the future SuperH Series. Therefore, it is recommended that the ICBI instruction should be used to operate the IC definitely by handling ITLB miss and reporting ITLB miss exception.

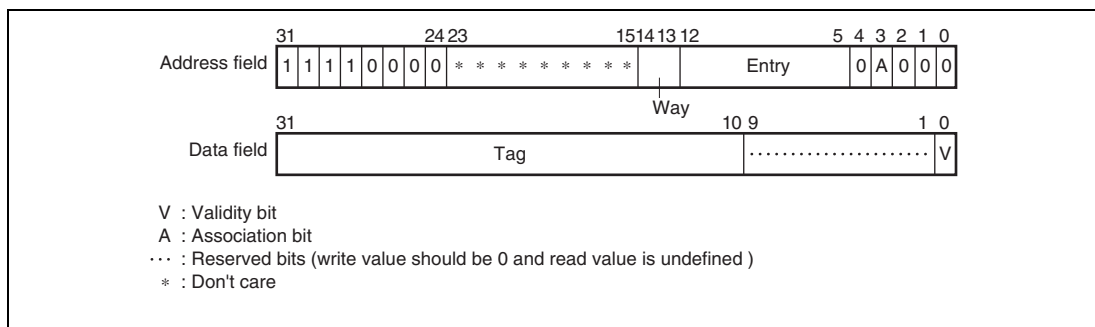


Figure 8.5 Memory-Mapped IC Address Array (Cache size = 32 Kbytes)

8.6.2 IC Data Array

The IC data array is allocated to addresses H'F100 0000 to H'F1FF FFFF in the P4 area. A data array access requires a 32-bit address field specification (when reading or writing) and a 32-bit data field specification. The way and entry to be accessed are specified in the address field, and the longword data to be written is specified in the data field.

In the address field, bits [31:24] have the value H'F1 indicating the IC data array, and the way is specified by bits [14:13] and the entry by bits [12:5]. Address field bits [4:2] are used for the longword data specification in the entry. As only longword access is used, 0 should be specified for address field bits [1:0].

The data field is used for the longword data specification.

The following two kinds of operation can be used on the IC data array:

1. IC data array read

Longword data is read into the data field from the data specified by the longword specification bits in the address field in the IC entry corresponding to the way and entry set in the address field.

2. IC data array write

The longword data specified in the data field is written for the data specified by the longword specification bits in the address field in the IC entry corresponding to the way and entry set in the address field.

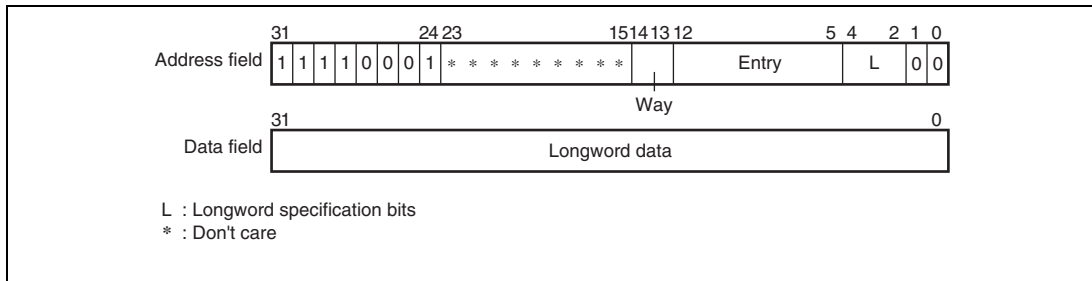


Figure 8.6 Memory-Mapped IC Data Array (Cache size = 32 Kbytes)

8.6.3 OC Address Array

The OC address array is allocated to addresses H'F400 0000 to H'F4FF FFFF in the P4 area. An address array access requires a 32-bit address field specification (when reading or writing) and a

32-bit data field specification. The way and entry to be accessed are specified in the address field, and the write tag, U bit, and V bit are specified in the data field.

In the address field, bits [31:24] have the value H'F4 indicating the OC address array, and the way is specified by bits [14:13] and the entry by bits [12:5]. The association bit (A bit) [3] in the address field specifies whether or not association is performed when writing to the OC address array. As only longword access is used, 0 should be specified for address field bits [1:0].

In the data field, the tag is indicated by bits [31:10], the U bit by bit [1], and the V bit by bit [0]. As the OC address array tag is 19 bits in length, data field bits [31:29] are not used in the case of a write in which association is not performed. Data field bits [31:29] are used for the virtual address specification only in the case of a write in which association is performed.

The following three kinds of operation can be used on the OC address array:

1. OC address array read

The tag, U bit, and V bit are read into the data field from the OC entry corresponding to the way and entry set in the address field. In a read, associative operation is not performed regardless of whether the association bit specified in the address field is 1 or 0.

2. OC address array write (non-associative)

The tag, U bit, and V bit specified in the data field are written to the OC entry corresponding to the way and entry set in the address field. The A bit in the address field should be cleared to 0. When a write is performed to a cache line for which the U bit and V bit are both 1, after write-back of that cache line, the tag, U bit, and V bit specified in the data field are written.

3. OC address array write (associative)

When a write is performed with the A bit in the address field set to 1, the tag in each way stored in the entry specified in the address field is compared with the tag specified in the data field. The way numbers of bits [14:13] in the address field are not used. If the MMU is enabled at this time, comparison is performed after the virtual address specified by data field bits [31:10] has been translated to a physical address using the UTLB. If the addresses match and the V bit in the way is 1, the U bit and V bit specified in the data field are written into the OC entry. In other cases, no operation is performed. This operation is used to invalidate a specific OC entry. If the OC entry U bit is 1, and 0 is written to the V bit or to the U bit, write-back is performed. If a UTLB miss occurs during address translation, or the comparison shows a mismatch, an exception is not generated, no operation is performed, and the write is not executed.

Note: OC address array associative writing function may not be supported in the future SuperH Series. Therefore, it is recommended that the OCBI, OCBP, or OCBWB instruction should be used to operate the OC definitely by reporting data TLB miss exception.

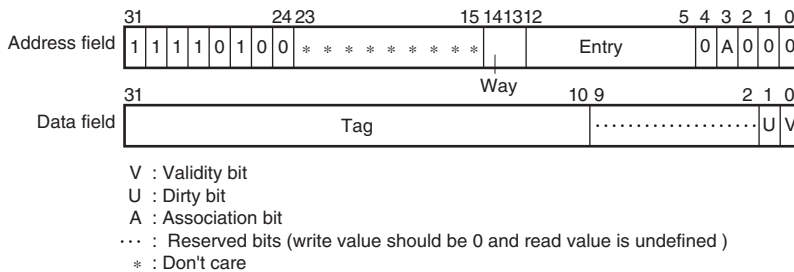


Figure 8.7 Memory-Mapped OC Address Array (Cache size = 32 Kbytes)

8.6.4 OC Data Array

The OC data array is allocated to addresses H'F500 0000 to H'F5FF FFFF in the P4 area. A data array access requires a 32-bit address field specification (when reading or writing) and a 32-bit data field specification. The way and entry to be accessed are specified in the address field, and the longword data to be written is specified in the data field.

In the address field, bits [31:24] have the value H'F5 indicating the OC data array, and the way is specified by bits [14:13] and the entry by bits [12:5]. Address field bits [4:2] are used for the longword data specification in the entry. As only longword access is used, 0 should be specified for address field bits [1:0].

The data field is used for the longword data specification.

The following two kinds of operation can be used on the OC data array:

1. OC data array read

Longword data is read into the data field from the data specified by the longword specification bits in the address field in the OC entry corresponding to the way and entry set in the address field.

2. OC data array write

The longword data specified in the data field is written for the data specified by the longword specification bits in the address field in the OC entry corresponding to the way and entry set in the address field. This write does not set the U bit to 1 on the address array side.

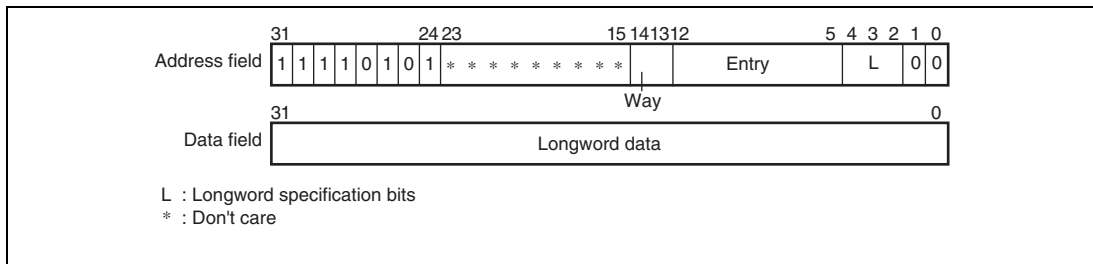


Figure 8.8 Memory-Mapped OC Data Array (Cache size = 32 Kbytes)

8.6.5 Memory-Mapped Cache Associative Write Operation

Associative writing to the IC and OC address arrays may not be supported in future SuperH-family products. The use of instructions ICBI, OCBI, OCBP, and OCBWB is recommended. These instructions handle ITLB misses, and notify instruction TLB miss exceptions and data TLB miss exceptions, thus providing a sure way of controlling the IC and OC. As a transitional measure, this LSI generates address errors when this function is used. If compatibility with previous products is a crucial consideration, on the other hand, the MMCAW bit in EXPMASK (H'FF2F 0004) can be set to 1 to enable this function. However, instructions ICBI, OCBI, OCBP, and OCBWB should be used to guarantee compatibility with future SuperH-family products.

8.7 Store Queues

This LSI supports two 32-byte store queues (SQs) to perform high-speed writes to external memory.

8.7.1 SQ Configuration

There are two 32-byte store queues, SQ0 and SQ1, as shown in figure 8.9. These two store queues can be set independently.

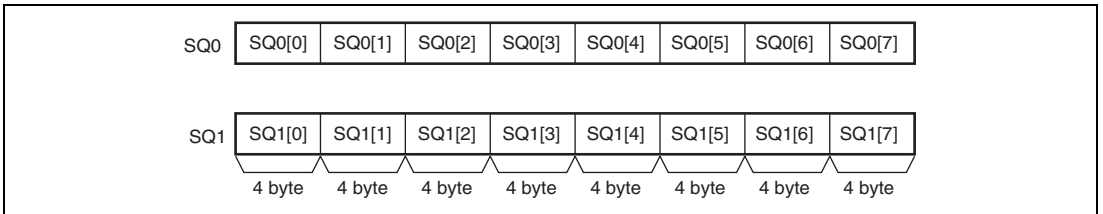


Figure 8.9 Store Queue Configuration

8.7.2 Writing to SQ

A write to the SQs can be performed using a store instruction for addresses H'E000 0000 to H'E3FF FFFC in the P4 area. A longword or quadword access size can be used. The meanings of the address bits are as follows:

[31:26]	: 111000	Store queue specification
[25:6]	: Don't care	Used for external memory transfer/access right
[5]	: 0/1	0: SQ0 specification 1: SQ1 specification
[4:2]	: LW specification	Specifies longword position in SQ0/SQ1
[1:0]	: 00	Fixed at 0

8.7.3 Transfer to External Memory

Transfer from the SQs to external memory can be performed with a prefetch instruction (PREF). Issuing a PREF instruction for addresses H'E000 0000 to H'E3FF FFFC in the P4 area starts a transfer from the SQs to external memory. The transfer length is fixed at 32 bytes, and the start address is always at a 32-byte boundary. While the contents of one SQ are being transferred to external memory, the other SQ can be written to without a penalty cycle. However, writing to the SQ involved in the transfer to external memory is kept waiting until the transfer is completed.

The physical address bits [28:0] of the SQ transfer destination are specified as shown below, according to whether the MMU is enabled or disabled.

- When MMU is enabled (AT = 1 in MMUCR)

The SQ area (H'E000 0000 to H'E3FF FFFF) is set in VPN of the UTLB, and the transfer destination physical address in PPN. The ASID, V, SZ, SH, PR, and D bits have the same meaning as for normal address translation, but the C and WT bits have no meaning with regard to this page. When a prefetch instruction is issued for the SQ area, address translation is performed and physical address bits [28:10] are generated in accordance with the SZ bit specification. For physical address bits [9:5], the address prior to address translation is generated in the same way as when the MMU is disabled. Physical address bits [4:0] are fixed at 0. Transfer from the SQs to external memory is performed to this address.

- When MMU is disabled (AT = 0 in MMUCR)

The SQ area (H'E000 0000 to H'E3FF FFFF) is specified as the address at which a PREF instruction is issued. The meanings of address bits [31:0] are as follows:

[31:26]	: 111000	Store queue specification
[25:6]	: Address	Transfer destination physical address bits [25:6]
[5]	: 0/1	0: SQ0 specification 1: SQ1 specification and transfer destination physical address bit [5]
[4:2]	: Don't care	No meaning in a prefetch
[1:0]	: 00	Fixed at 0

Physical address bits [28:26], which cannot be generated from the above address, are generated from QACR0 and QACR1.

QACR0[4:2] : Physical address bits [28:26] corresponding to SQ0

QACR1[4:2] : Physical address bits [28:26] corresponding to SQ1

Physical address bits [4:0] are always fixed at 0 since burst transfer starts at a 32-byte boundary.

8.7.4 Determination of SQ Access Exception

Determination of an exception in a write to an SQ or transfer to external memory (PREF instruction) is performed as follows according to whether the MMU is enabled or disabled. If an exception occurs during a write to an SQ, the SQ contents before the write are retained. If an exception occurs in a data transfer from an SQ to external memory, the transfer to external memory will be aborted.

- When MMU is enabled (AT = 1 in MMUCR)
Operation is in accordance with the address translation information recorded in the UTLB, and the SQMD bit in MMUCR. Write type exception judgment is performed for writes to the SQs, and read type exception judgment for transfer from the SQs to external memory (using a PREF instruction). As a result, a TLB miss exception or protection violation exception is generated as required. However, if SQ access is enabled in privileged mode only by the SQMD bit in MMUCR, an address error will occur even if address translation is successful in user mode.
- When MMU is disabled (AT = 0 in MMUCR)
Operation is in accordance with the SQMD bit in MMUCR.
0: Privileged/user mode access possible
1: Privileged mode access possible
If the SQ area is accessed in user mode when the SQMD bit in MMUCR is set to 1, an address error will occur.

8.7.5 Reading from SQ

In privileged mode in this LSI, reading the contents of the SQs may be performed by means of a load instruction for addresses H'FF00 1000 to H'FF00 103C in the P4 area. Only longword access is possible.

[31:6]	: H'FF00 1000	Store queue specification
[5]	: 0/1	0: SQ0 specification 1: SQ1 specification
[4:2]	: LW specification	Specifies longword position in SQ0/SQ1
[1:0]	: 00	Fixed at 0

8.8 Notes on Using 32-Bit Address Extended Mode

In 32-bit address extended mode, the items described in this section are extended as follows.

1. The tag bits [28:10] (19 bits) in the IC and OC are extended to bits [31:10] (22 bits).
2. An instruction which operates the IC (a memory-mapped IC access and writing to the ICI bit in CCR) should be located in the P1 or P2 area. The cacheable bit (C bit) in the corresponding entry in the PMB should be 0.
3. Bits [4:2] (3 bits) for the AREA0 bit in QACR0 and the AREA1 bit in QACR1 are extended to bits [7:2] (6 bits).

Section 9 On-Chip Memory

This LSI includes three types of memory modules for storage of instructions and data: OL memory, IL memory, and U memory. The OL memory is suitable for data storage while the IL memory is suitable for instruction storage. The U memory can store instructions and/or data.

9.1 Features

(1) OL Memory

- Capacity
The OL memory in this LSI is 16 Kbytes.
- Page
The OL memory is divided into four pages (pages 0A, 0B, 1A and 1B).
- Memory map
The OL memory is allocated in the addresses shown in table 9.1 in both the virtual address space and the physical address space.

Table 9.1 OL memory Addresses

Page 0A	H'E500 E000 to H'E500 EFFF
Page 0B	H'E500 F000 to H'E500 FFFF
Page 1A	H'E501 0000 to H'E501 0FFF
Page 1B	H'E501 1000 to H'E501 1FFF

- Ports
Each page has three independent read/write ports and is connected to the SuperHyway bus, the cache/RAM internal bus, and operand bus. The operand bus is used when the OL memory is accessed through operand access. The cache/RAM internal bus is used when the OL memory is accessed through instruction fetch. The SuperHyway bus is used for OL memory access from the SuperHyway bus master module.
- Priority
In the event of simultaneous accesses to the same page from different buses, the access requests are processed according to priority. The priority order is: SuperHyway bus > Cache/RAM internal bus > operand bus.

(2) IL Memory

- Capacity
The IL memory in this LSI is 8 Kbytes.
- Page
The IL memory is divided into two pages (pages 0 and 1).
- Memory map
The IL memory is allocated to the addresses shown in table 9.2 in both the virtual address space and the physical address space.

Table 9.2 IL Memory Addresses

Page	Memory Address
Page 0	H'E520 0000 to H'E520 0FFF
Page 1	—

- Ports
The page has three independent read/write ports and is connected to the SuperHyway bus, the cache/RAM internal bus, and the instruction bus. The instruction bus is used when the IL memory is accessed through instruction fetch. The cache/RAM internal bus is used when the IL memory is accessed through operand access. The SuperHyway bus is used for IL memory access from the SuperHyway bus master module.
- Priority
In the event of simultaneous accesses to the same page from different buses, the access requests are processed according to priority. The priority order is: SuperHyway bus > cache/RAM internal bus > instruction bus.

(3) U Memory

- Capacity
The U memory in this LSI is 128 Kbytes.
- Access method
Instruction fetch and operand write access are performed via the cache/RAM internal bus. Operand read access is optimized for sequential operand access by using the read buffer.
- Memory map
The U memory is allocated to the addresses shown in table 9.3 in both the virtual address space and the physical address space.

The CPU can access the P4 area in the virtual address space (when SR.MD = 1) or on-chip memory area (when SR.MD = 0 and RAMCR.RMD = 1). Access operations involving these addresses are always non-cacheable.

Table 9.3 U Memory Addresses

Address Space	Memory Address
Virtual address	H'E55F 0000 to H'E560 FFFF
Physical address	H'E55F 0000 to H'E560 FFFF

- Ports

The U memory has three independent read/write ports and is connected to the operand bus, the cache/RAM internal bus, and the SuperHyway bus. The operand bus is used when the U memory is accessed through operand read access. The cache/RAM internal bus is used when the U memory is accessed through instruction fetch and operand write access. The SuperHyway bus is used for U memory access from the SuperHyway bus master module.

- Priority

In the event of simultaneous accesses to the U memory from different buses, the access requests are processed according to priority. The priority order is: SuperHyway bus > cache/RAM internal bus > operand bus.

9.2 Register Descriptions

The following registers are related to the on-chip memory.

Table 9.4 Register Configuration

Name	Abbreviation	R/W	P4 Address*	Area 7 Address*	Access Size
On-chip memory control register	RAMCR	R/W	H'FF00 0074	H'1F00 0074	32
OL memory transfer source address register 0	LSA0	R/W	H'FF00 0050	H'1F00 0050	32
OL memory transfer source address register 1	LSA1	R/W	H'FF00 0054	H'1F00 0054	32
OL memory transfer destination address register 0	LDA0	R/W	H'FF00 0058	H'1F00 0058	32
OL memory transfer destination address register 1	LDA1	R/W	H'FF00 005C	H'1F00 005C	32

Note: * The P4 address is the address used when using P4 area in the virtual address space. The area 7 address is the address used when accessing from area 7 in the physical address space using the TLB.

Table 9.5 Register States in Each Processing Mode

Name	Abbreviation	Power-On Reset	Manual Reset	Sleep	Standby
On-chip memory control register	RAMCR	H'0000 0000	H'0000 0000	Retained	Retained
OL memory transfer source address register 0	LSA0	Undefined	Undefined	Retained	Retained
OL memory transfer source address register 1	LSA1	Undefined	Undefined	Retained	Retained
OL memory transfer destination address register 0	LDA0	Undefined	Undefined	Retained	Retained
OL memory transfer destination address register 1	LDA1	Undefined	Undefined	Retained	Retained

9.2.1 On-Chip Memory Control Register (RAMCR)

RAMCR controls the protective functions in the on-chip memory.

When updating RAMCR, please follow limitation described at section 8.2.4, On-Chip Memory Control Register (RAMCR).

Bit :	31	30	29	28	27	26	25	24	23	22	21	20	19	18	17	16
	—	—	—	—	—	—	—	—	—	—	—	—	—	—	—	—
Initial value :	0	0	0	0	0	0	0	0	0	0	0	0	0	0	0	0
R/W:	R	R	R	R	R	R	R	R	R	R	R	R	R	R	R	R
Bit :	15	14	13	12	11	10	9	8	7	6	5	4	3	2	1	0
	—	—	—	—	—	—	RMD	RP	IC2W	OC2W	ICWPD	—	—	—	—	—
Initial value :	0	0	0	0	0	0	0	0	0	0	0	0	0	0	0	0
R/W:	R	R	R	R	R	R	R/W	R/W	R/W	R/W	R/W	R	R	R	R	R

Bit	Bit Name	Initial Value	R/W	Description
31to10	—	All 0	R	Reserved For read/write in these bits, refer to General Precautions on Handling of Product.
9	RMD	0	R/W	On-Chip Memory Access Mode Specifies the right of access to the on-chip memory from the virtual address space. 0: An access in privileged mode is allowed. (An address error exception occurs in user mode.) 1: An access in user/ privileged mode is allowed.
8	RP	0	R/W	On-Chip Memory Protection Enable Selects whether or not to use the protective functions using ITLB and UTLB for accessing the on-chip memory from the virtual address space. 0: Protective functions are not used. 1: Protective functions are used. For further details, refer to section 9.4, On-Chip Memory Protective Functions.
7	IC2W	0	R/W	IC Two-Way Mode For further details, refer to section 8.4.3, IC Two-Way Mode.

Bit	Bit Name	Initial Value	R/W	Description
6	OC2W	0	R/W	OC Two-Way Mode For further details, refer to section 8.3.6, OC Two-Way Mode.
5	ICWPD	0	R/W	IC Way Prediction Disable For further details, refer to section 8.4.4, Instruction Cache Way Prediction Operation.
4 to 0	—	All 0	R	Reserved For read/write in these bits, refer to General Precautions on Handling of Product.

9.2.2 OL memory Transfer Source Address Register 0 (LSA0)

When MMUCR.AT = 0 or RAMCR.RP = 0, the LSA0 specifies the transfer source physical address for block transfer to page 0A or 0B of the OL memory.

Bit :	31	30	29	28	27	26	25	24	23	22	21	20	19	18	17	16
	—			LODADR												
Initial value :	0	0	0	—	—	—	—	—	—	—	—	—	—	—	—	—
R/W:	R	R	R	R/W	R/W	R/W	R/W	R/W	R/W	R/W	R/W	R/W	R/W	R/W	R/W	R/W
Bit :	15	14	13	12	11	10	9	8	7	6	5	4	3	2	1	0
	LODADR						—	—	—	—	LODSZ					
Initial value :	—	—	—	—	—	—	0	0	0	0	—	—	—	—	—	—
R/W:	R/W	R/W	R/W	R/W	R/W	R/W	R	R	R	R	R/W	R/W	R/W	R/W	R/W	R/W

Bit	Bit Name	Initial Value	R/W	Description
31 to 29	—	All 0	R	Reserved For read/write in these bits, refer General Precautions on Handling of Product.
28 to 10	LOSADR	Undefined	R/W	OL memory Page 0 Block Transfer Source Address When MMUCR.AT = 0 or RAMCR.RP = 0, these bits specify the transfer source physical address for block transfer to page 0A or 0B in the OL memory.
9 to 6	—	All 0	R	Reserved For read/write in these bits, refer to General Precautions on Handling of Product.

Bit	Bit Name	Initial Value	R/W	Description
5 to 0	L0SSZ	Undefined	R/W	<p>OL memory Page 0 Block Transfer Source Address Select</p> <p>When MMUCR.AT = 0 or RAMCR.RP = 0, these bits select whether the operand addresses or LOSADR values are used as bits 15 to 10 of the transfer source physical address for block transfer to page 0A or 0B in the OL memory. L0SSZ[5:0] correspond to the transfer source physical addresses [15:10].</p> <p>0: The operand address is used as the transfer source physical address.</p> <p>1: The LOSADR value is used as the transfer source physical address.</p> <p>Settable values:</p> <p>111111: Transfer source physical address is specified in 1-Kbyte units.</p> <p>111110: Transfer source physical address is specified in 2-Kbyte units.</p> <p>111100: Transfer source physical address is specified in 4-Kbyte units.</p> <p>111000: Transfer source physical address is specified in 8-Kbyte units.</p> <p>110000: Transfer source physical address is specified in 16-Kbyte units.</p> <p>100000: Transfer source physical address is specified in 32-Kbyte units.</p> <p>000000: Transfer source physical address is specified in 64-Kbyte units.</p> <p>Settings other than the ones given above are prohibited.</p>

9.2.3 OL memory Transfer Source Address Register 1 (LSA1)

When MMUCR.AT = 0 or RAMCR.RP = 0, the LSA1 specifies the transfer source physical address for block transfer to page 1A or 1B in the OL memory.

Bit :	31	30	29	28	27	26	25	24	23	22	21	20	19	18	17	16
	—	—	—	L1SADR												
Initial value :	0	0	0	—	—	—	—	—	—	—	—	—	—	—	—	—
R/W:	R	R	R	R/W	R/W	R/W	R/W	R/W	R/W	R/W	R/W	R/W	R/W	R/W	R/W	R/W
Bit :	15	14	13	12	11	10	9	8	7	6	5	4	3	2	1	0
	L1SADR						—	—	—	—	L1SSZ					
Initial value :	—	—	—	—	—	—	0	0	0	0	—	—	—	—	—	—
R/W:	R/W	R/W	R/W	R/W	R/W	R/W	R	R	R	R	R/W	R/W	R/W	R/W	R/W	R/W

Bit	Bit Name	Initial Value	R/W	Description
31 to 29	—	All 0	R	Reserved For read/write in these bits, refer to General Precautions on Handling of Product.
28 to 10	L1SADR	Undefined	R/W	OL memory Page 1 Block Transfer Source Address When MMUCR.AT = 0 or RAMCR.RP = 0, these bits specify transfer source physical address for block transfer to page 1A or 1B in the OL memory.
9 to 6	—	All 0	R	Reserved For read/write in these bits, refer to General Precautions on Handling of Product.

Bit	Bit Name	Initial Value	R/W	Description
5 to 0	L1SSZ	Undefined	R/W	<p>OL memory Page 1 Block Transfer Source Address Select</p> <p>When MMUCR.AT = 0 or RAMCR.RP = 0, these bits select whether the operand addresses or L1SADR values are used as bits 15 to 10 of the transfer source physical address for block transfer to page 1A or 1B in the OL memory. L1SSZ bits [5:0] correspond to the transfer source physical addresses [15:10].</p> <p>0: The operand address is used as the transfer source physical address.</p> <p>1: The L1SADR value is used as the transfer source physical address.</p> <p>Settable values:</p> <p>111111: Transfer source physical address is specified in 1-Kbyte units.</p> <p>111110: Transfer source physical address is specified in 2-Kbyte units.</p> <p>111100: Transfer source physical address is specified in 4-Kbyte units.</p> <p>111000: Transfer source physical address is specified in 8-Kbyte units.</p> <p>110000: Transfer source physical address is specified in 16-Kbyte units.</p> <p>100000: Transfer source physical address is specified in 32-Kbyte units.</p> <p>000000: Transfer source physical address is specified in 64-Kbyte units.</p> <p>Settings other than the ones given above are prohibited.</p>

9.2.4 OL memory Transfer Destination Address Register 0 (LDA0)

When MMUCR.AT = 0 or RAMCR.RP = 0, LDA0 specifies the transfer destination physical address for block transfer to page 0A or 0B of the OL memory.

Bit :	31	30	29	28	27	26	25	24	23	22	21	20	19	18	17	16
	—	—	—	L0DADR												
Initial value :	0	0	0	—	—	—	—	—	—	—	—	—	—	—	—	—
R/W:	R	R	R	R/W	R/W	R/W	R/W	R/W	R/W	R/W	R/W	R/W	R/W	R/W	R/W	R/W
Bit :	15	14	13	12	11	10	9	8	7	6	5	4	3	2	1	0
	L0DADR						—	—	—	—	L0DSZ					
Initial value :	—	—	—	—	—	—	0	0	0	0	—	—	—	—	—	—
R/W:	R/W	R/W	R/W	R/W	R/W	R/W	R	R	R	R	R/W	R/W	R/W	R/W	R/W	R/W

Bit	Bit Name	Initial Value	R/W	Description
31 to 29	—	All 0	R	Reserved For read/write in these bits, refer to General Precautions on Handling of Product.
28 to 10	L0DADR	Undefined	R/W	OL memory Page 0 Block Transfer Destination Address When MMUCR.AT = 0 or RAMCR.RP = 0, these bits specify transfer destination physical address for block transfer to page 0A or 0B in the OL memory.
9 to 6	—	All 0	R	Reserved For read/write in these bits, refer to General Precautions on Handling of Product.

Bit	Bit Name	Initial Value	R/W	Description
5 to 0	L0DSZ	Undefined	R/W	<p>OL memory Page 0 Block Transfer Destination Address Select</p> <p>When MMUCR.AT = 0 or RAMCR.RP = 0, these bits select whether the operand addresses or LODADR values are used as bits 15 to 10 of the transfer destination physical address for block transfer to page 0A or 0B in the OL memory. L0DSZ bits [5:0] correspond to the transfer destination physical address bits [15:10].</p> <p>0: The operand address is used as the transfer destination physical address.</p> <p>1: The LODADR value is used as the transfer destination physical address.</p> <p>Settable values:</p> <p>111111: Transfer destination physical address is specified in 1-Kbyte units.</p> <p>111110: Transfer destination physical address is specified in 2-Kbyte units.</p> <p>111100: Transfer destination physical address is specified in 4-Kbyte units.</p> <p>111000: Transfer destination physical address is specified in 8-Kbyte units.</p> <p>110000: Transfer destination physical address is specified in 16-Kbyte units.</p> <p>100000: Transfer destination physical address is specified in 32-Kbyte units.</p> <p>000000: Transfer destination physical address is specified in 64-Kbyte units.</p> <p>Settings other than the ones given above are prohibited.</p>

9.2.5 OL memory Transfer Destination Address Register 1 (LDA1)

When MMUCR.AT = 0 or RAMCR.RP = 0, LDA1 specifies the transfer destination physical address for block transfer to page 1A or 1B in the OL memory.

Bit :	31	30	29	28	27	26	25	24	23	22	21	20	19	18	17	16
	—			L1DADR												
Initial value :	0	0	0	—	—	—	—	—	—	—	—	—	—	—	—	—
R/W:	R	R	R	R/W	R/W	R/W	R/W	R/W	R/W	R/W	R/W	R/W	R/W	R/W	R/W	R/W
Bit :	15	14	13	12	11	10	9	8	7	6	5	4	3	2	1	0
	L1DADR						—		—		L1DSZ					
Initial value :	—	—	—	—	—	—	0	0	0	0	—	—	—	—	—	—
R/W:	R/W	R/W	R/W	R/W	R/W	R/W	R	R	R	R	R/W	R/W	R/W	R/W	R/W	R/W

Bit	Bit Name	Initial Value	R/W	Description
31 to 29	—	All 0	R	Reserved For read/write in these bits, refer to General Precautions on Handling of Product.
28 to 10	L1DADR	Undefined	R/W	OL memory Page 1 Block Transfer Destination Address When MMUCR.AT = 0 or RAMCR.RP = 0, these bits specify transfer destination physical address for block transfer to page 1A or 1B in the OL memory.
9 to 6	—	All 0	R	Reserved For read/write in these bits, refer to General Precautions on Handling of Product.

Bit	Bit Name	Initial Value	R/W	Description
5 to 0	L1DSZ	Undefined	R/W	<p>OL memory Page 1 Block Transfer Destination Address Select</p> <p>When MMUCR.AT = 0 or RAMCR.RP = 0, these bits select whether the operand addresses or L1DADR values are used as bits 15 to 10 of the transfer destination physical address for block transfer to page 1A or 1B in the OL memory. L1DSZ bits [5:0] correspond to the transfer destination physical addresses [15:10].</p> <p>0: The operand address is used as the transfer destination physical address.</p> <p>1: The L1DADR value is used as the transfer destination physical address.</p> <p>Settable values:</p> <p>111111: Transfer destination physical address is specified in 1-Kbyte units.</p> <p>111110: Transfer destination physical address is specified in 2-Kbyte units.</p> <p>111100: Transfer destination physical address is specified in 4-Kbyte units.</p> <p>111000: Transfer destination physical address is specified in 8-Kbyte units.</p> <p>110000: Transfer destination physical address is specified in 16-Kbyte units.</p> <p>100000: Transfer destination physical address is specified in 32-Kbyte units.</p> <p>000000: Transfer destination physical address is specified in 64-Kbyte units.</p> <p>Settings other than the ones given above are prohibited.</p>

9.3 Operation

9.3.1 Instruction Fetch Access from the CPU

(1) OL Memory

Instruction fetch access from the CPU is performed via the cache/RAM internal bus. This access takes more than one cycle.

(2) IL Memory

Instruction fetch access from the CPU is performed directly via the instruction bus for a given virtual address. In the case of successive accesses to the same page of IL memory and as long as no page conflict occurs, the access takes one cycle.

(3) U Memory

Instruction fetch access from the CPU is performed via the cache/RAM internal bus, and one instruction fetch takes more than one cycle.

9.3.2 Operand Access from the CPU and Access from the FPU

Note: Operand access is applied for PC relative access (@(disp,pc)).

(1) OL Memory

Access from the CPU or FPU is performed via the operand bus for a given virtual address. Read access from the operand bus by virtual address takes one cycle if the access is made successively to the same page of OL memory and as long as no page conflict occurs. Write access from the operand bus by virtual address takes one cycle as long as no page conflict occurs.

(2) IL Memory

Operand access from the CPU and access from the FPU are performed via the cache/RAM internal bus. Access via the cache/RAM internal bus takes more than one cycle.

(3) U Memory

Operand access from the CPU and read access from the FPU are performed via the read buffer. The read buffer is configured with two sets of one-line 32-byte buffers, and holds up to two lines which have been accessed through operand access by the CPU and accessed through read access by the FPU. The U memory can be accessed in one cycle when the read buffer is hit. If the read buffer is missed, 32-byte data including data required from the U memory is read out, and returned to the CPU, and the read buffer is updated. Access in this case takes more than one cycle. The LRU algorithm is used to determine which of the two read buffers to update. In write access, the U memory is directly updated, and if the corresponding line is held in the read buffer, the read buffer is invalidated. It is unnecessary to guarantee the coherency by software since the hardware invalidates the read buffer even when the SuperHyway bus master module, such as DMAC, rewrites the U memory.

9.3.3 Access from the SuperHyway Bus Master Module

On-chip memory is always accessed by the SuperHyway bus master module, such as DMAC, via the SuperHyway bus which is a physical address bus. The same addresses as for the virtual addresses must be used.

9.3.4 OL Memory Block Transfer

High-speed data transfer can be performed through block transfer between the OL memory and external memory without cache utilization.

Data can be transferred from the external memory to the OL memory through a prefetch instruction (PREF). Block transfer from the external memory to the OL memory begins when the PREF instruction is issued to the address in the OL memory area in the virtual address space.

Data can be transferred from the OL memory to the external memory through a write-back instruction (OCBWB). Block transfer from the OL memory to the external memory begins when the OCBWB instruction is issued to the address in the OL memory area in the virtual address space.

In either case, transfer rate is fixed to 32 bytes. Since the start address is always limited to a 32-byte boundary, the lower five bits of the address indicated by R_n are ignored, and are always dealt with as all 0s. In either case, other pages and cache can be accessed during block transfer, but the CPU will stall if the page which is being transferred is accessed before data transfer ends.

The physical addresses [28:0] of the external memory performing data transfers with the OL memory are specified as follows according to whether the MMU is enabled or disabled.

(1) When MMU is Enabled (MMUCR.AT = 1) and RAMCR.RP = 1

An address of the OL memory area is specified to the UTLB VPN field, and to the physical address of the transfer source (in the case of the PREF instruction) or the transfer destination (in the case of the OCBWB instruction) to the PPN field. The ASID, V, SZ, SH, PR, and D bits have the same meaning as normal address conversion; however, the C and WT bits have no meaning in this page.

When the PREF instruction is issued to the OL memory area, address conversion is performed in order to generate the physical address bits [28:10] in accordance with the SZ bit specification. The physical address bits [9:5] are generated from the virtual address prior to address conversion. The physical address bits [4:0] are fixed to 0. Block transfer is performed to the OL memory from the external memory which is specified by these physical addresses.

When the OCBWB instruction is issued to the OL memory area, address conversion is performed in order to generate the physical address bits [28:10] in accordance with the SZ bit specification. The physical address bits [9:5] are generated from the virtual address prior to address conversion. The physical address bits [4:0] are fixed to 0. Block transfer is performed from the OL memory to the external memory specified by these physical addresses.

In PREF or OCBWB instruction execution, an MMU exception is checked as read type. After the MMU execution check, a TLB miss exception or protection error exception occurs if necessary. If an exception occurs, the block transfer is inhibited.

(2) When MMU is Disabled (MMUCR.AT = 0) or RAMCR.RP = 0

The transfer source physical address in block transfer to page 0A or 0B in the OL memory is set in the LOSADR bits of the LSA0 register. And the LOSSZ bits in the LSA0 register choose either the virtual addresses specified through the PRFF instruction or the LOSADR values as bits 15 to 10 of the transfer source physical address. In other words, the transfer source area can be specified in units of 1 Kbyte to 64 Kbytes.

The transfer destination physical address in block transfer from page 0A or 0B in the OL memory is set in the LODADR bits of the LDA0 register. And the LODSZ bits in the LDA0 register choose either the virtual addresses specified through the OCBWB instruction or the LODADR values as bits 15 to 10 of the transfer destination physical address. In other words, the transfer source area can be specified in units of 1 Kbyte to 64 Kbytes.

Block transfer to page 1A or 1B in the OL memory is set to LSA1 and LDA1 as with page 0A or 0B in the OL memory.

When the PREF instruction is issued to the OL memory area, the physical address bits [28:10] are generated in accordance with the LSA0 or LSA1 specification. The physical address bits [9:5] are generated from the virtual address. The physical address bits [4:0] are fixed to 0. Block transfer is performed from the external memory specified by these physical addresses to the OL memory.

When the OCBWB instruction is issued to the OL memory area, the physical address bits [28:10] are generated in accordance with the LDA0 or LDA1 specification. The physical address bits [9:5] are generated from the virtual address. The physical address bits [4:0] are fixed to 0. Block transfer is performed from the OL memory to the external memory specified by these physical addresses.

9.4 On-Chip Memory Protective Functions

This LSI implements the following protective functions to the on-chip memory by using the on-chip memory access mode bit (RMD) and the on-chip memory protection enable bit (RP) in the on-chip memory control register (RAMCR).

- Protective functions for access from the CPU and FPU

When RAMCR.RMD = 0, and the on-chip memory is accessed in user mode, it is determined to be an address error exception.

When MMUCR.AT = 1 and RAMCR.RP = 1, MMU exception and address error exception are checked in the on-chip memory area which is a part of area P4 as with the area P0/P3/U0.

The above descriptions are summarized in table 9.6.

Table 9.6 Protective Function Exceptions to Access On-Chip Memory

MMUCR.AT	RAMCR.RP	SR.MD	RAMCR. RMD	Always Occurring Exceptions	Possibly Occurring Exceptions	
0	x	0	0	Address error exception	—	
			1	—	—	
		1	x	—	—	
1	0	0	0	Address error exception	—	
			1	—	—	
		1	x	—	—	
	1	1	0	0	Address error exception	—
				1	—	MMU exception
			1	x	—	MMU exception

Legend: x: Don't care

9.5 Usage Notes

9.5.1 Page Conflict

In the event of simultaneous access to the same page from different buses, page conflict occurs. Although each access is completed correctly, this kind of conflict tends to lower OL memory accessibility. Therefore it is advisable to provide all possible preventative software measures. For example, conflicts will not occur if each bus accesses different pages.

9.5.2 Access Across Different Pages

(1) OL Memory

Read access from the operand bus is performed in one cycle when the access is made successively to the same page but takes multiple cycles (a maximum of two wait cycles may be required) when the access is made across pages or the previous access was made to memory other than OL memory. For this reason, from the viewpoint of performance optimization, it is recommended to design the software such that the page corresponding to the address for read access from the operand bus does not change so often.

(2) IL Memory

Access from the instruction bus is performed in one cycle when the access is made successively to the same page but takes multiple cycles (a maximum of two wait cycles may be required) when the access is made across pages or the previous access was made to memory other than IL memory. For this reason, from the viewpoint of performance optimization, it is recommended to design the software such that the target page does not change so often in access from the instruction bus. For example, allocating a separate program for each page will deliver better efficiency.

9.5.3 On-Chip Memory Coherency

(1) OL Memory

In order to allocate instructions in the OL memory, write an instruction to the OL memory, execute the following sequence, then branch to the rewritten instruction.

- SYNCO
- ICBI @Rn

In this case, the target for the ICBI instruction can be any address (OL memory address may be possible) within the range where no address error exception occurs, and cache hit/miss is possible.

(2) IL Memory

In order to allocate instructions in the IL memory, write an instruction to the IL memory, execute the following sequence, then branch to the rewritten instruction.

- SYNCO
- ICBI @Rn

In this case, the target for the ICBI instruction can be any address (IL memory address may be possible) within the range where no address error exception occurs, and cache hit/miss is possible.

(3) U Memory

In order to allocate instructions in the U memory, write an instruction to the U memory, execute the following sequence, then branch to the rewritten instruction.

- SYNCO
- ICBI @Rn

In this case, the target for the ICBI instruction can be any address (U memory address may be possible) within the range where no address error exception occurs, and cache hit/miss is possible.

9.5.4 Sleep Mode

(1) OL Memory, IL Memory

The SuperHyway bus master module, such as DMAC, cannot access OL memory and IL memory in sleep mode.

(2) U Memory

The SuperHyway bus master module, such as DMAC, can access U memory in sleep mode.

9.6 Note on Using 32-Bit Address Extended Mode

In 32-bit address extended mode, LOSADR fields in LSA0, LISADR fields in LSA1, LODADR fields in LDA0, and L1DADR fields in LDA1 are extended from 19-bit [28:10] to 22-bit [31:10].

Section 10 Interrupt Controller (INTC)

The interrupt controller (INTC) determines the priority of interrupt sources and controls the flow of interrupt requests to the CPU (SH-4A). The INTC has registers for setting the priority of each of the interrupts and processing of interrupt requests follows the priority order set in these registers by the user.

10.1 Features

The INTC has the following features:

- Fifteen levels of external interrupt priority can be set
By setting the interrupt priority registers, the priorities of external interrupts can be selected from 15 levels for individual pins.
- NMI noise canceller function
An NMI input-level bit indicates the NMI pin state. The bit can be read within the interrupt exception handling routine to confirm the pin state and thus achieve a form of noise cancellation.
- NMI request masking when the block bit (BL) in the status register (SR) is set to 1
Masking or non-masking of NMI requests when the BL bit in SR is set to 1 can be selected.
- Automatically updates the IMASK bit in SR according to the accepted interrupt level
- Thirty priority levels for interrupts from on-chip peripheral modules
By setting the ten interrupt priority registers for the on-chip peripheral module interrupts, any of 30 priority levels can be assigned to the individual requesting sources.
- User-mode interrupt disabling function
An interrupt mask level in the user interrupt mask level register (USERIMASK) can be specified to disable interrupts which do not have higher priority than the specified mask level. This setting can be made in user mode.
- Holding mode of the level-sense IRQ and IRL interrupt sources (ICR0.LVLMODE)
For the IRQ and IRL interrupts when the level sensing is set, the following two modes are available:
 - (a) A mode in which the source of interrupt is temporarily held inside of the INTC even if the input level of the external pin is not retained.
 - (b) A mode in which the source of interrupt is not held inside of the INTC.
 - (c) The initial value of ICR0.LVLMODE is 0; however, it is recommended to set ICR0.LVLMODE to 1 by setting the interrupt control register 0 (ICR0) by the initialization routine.

Figure 10.1 shows a block diagram of the INTC.

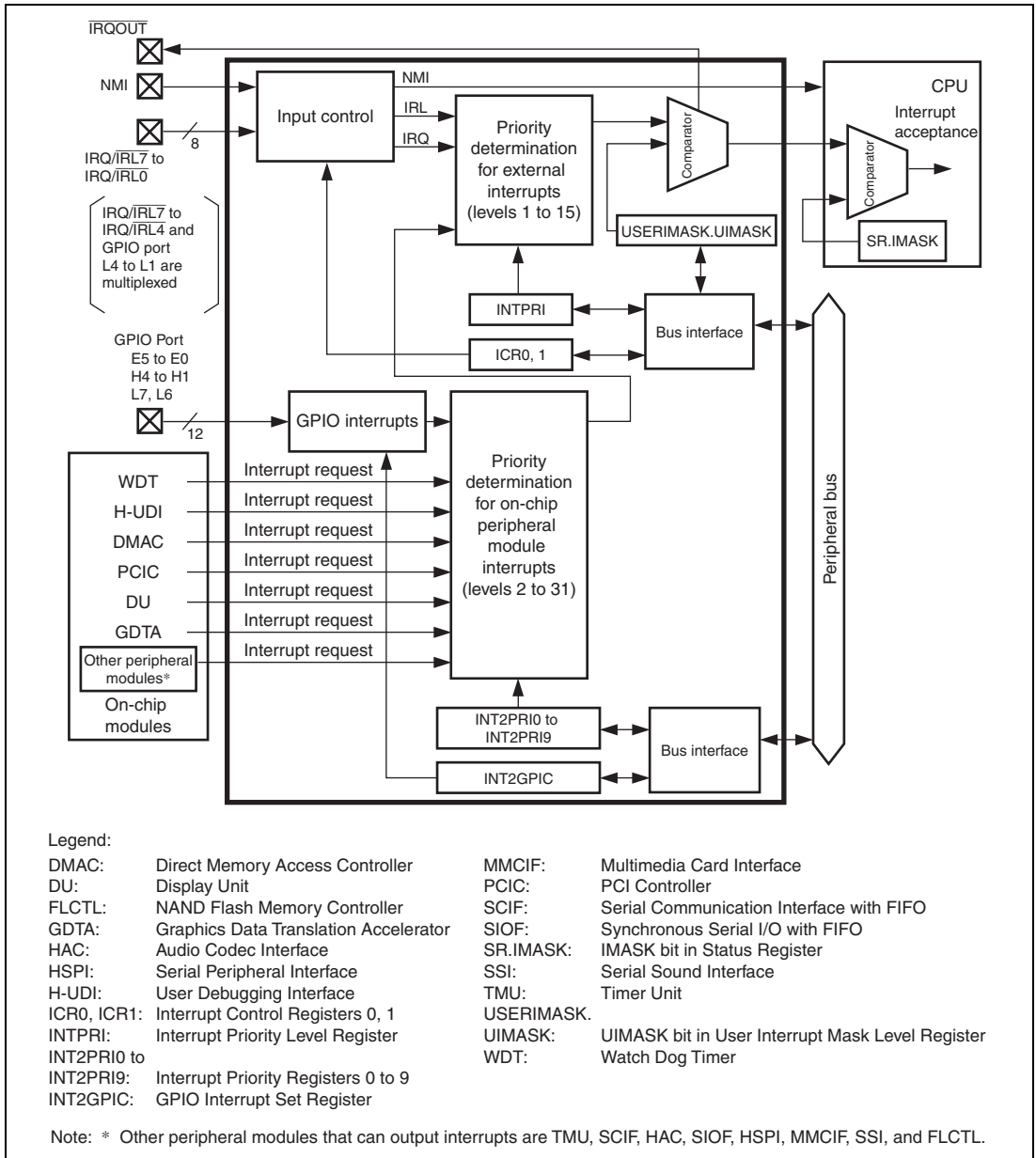


Figure 10.1 Block Diagram of INTC

The details of the input control circuit of figure 10.1 are shown in figure 10.2.

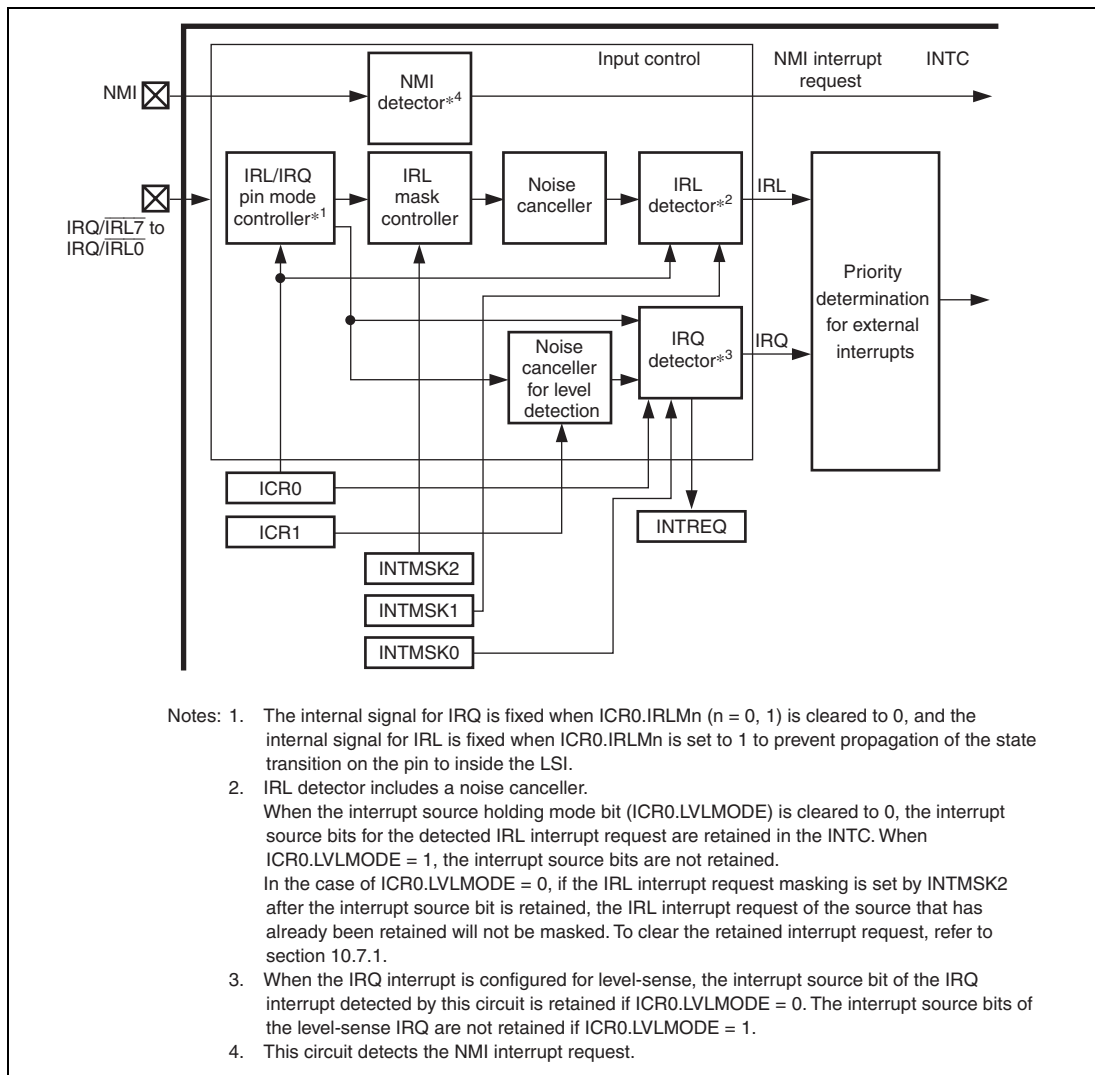


Figure 10.2 Input Control Circuit for the Interrupt Requested from the External Pin

10.1.1 Interrupt Method

The basic flow of exception handling for interrupts is as follows.

In interrupt exception handling, the contents of the program counter (PC), status register (SR), and general register 15 (R15) are saved in the saved program counter (SPC), saved status register (SSR), and saved general register15 (SGR), and the CPU starts execution of the interrupt exception handling routine at the corresponding vector address. An interrupt exception handling routine is a program written by the user to handle a specific exception. The interrupt exception handling routine is terminated and control returned to the original program by executing a return-from-exception instruction (RTE). This instruction restores the contents of PC and SR and returns control to the normal processing routine at the point at which the exception occurred. The contents of SGR are not written back to R15 by the RTE instruction.

1. The contents of the PC, SR and R15 are saved in SPC, SSR and SGR, respectively.
2. The block (BL) bit in SR is set to 1.
3. The mode (MD) bit in SR is set to 1.
4. The register bank (RB) bit in SR is set to 1.
5. In a reset, the FPU disable (FD) bit in SR is cleared to 0.
6. The exception code is written to bits 13 to 0 of the interrupt event register (INTEVT).
7. Processing jumps to the start address of the interrupt exception handling routine, vector base register (VBR) + H'600.

When the INTMU bit in CPOOPM is set to 1, the interrupt mask level (IMASK) in SR is automatically modified to the level of the accepted interrupt.

8. The processing branches to the corresponding exception handling vector address and the exception handling routine starts.

10.1.2 Interrupt Sources

Table 10.1 shows an example of the interrupt types. The INTC supports both external interrupts and on-chip peripheral module interrupts.

External interrupts refer to the interrupts input through the external NMI, IRL, and IRQ pins.

The IRQ and IRL interrupts are assigned to the same pins in the SH7785. The pin functions are selected to suit the system configuration.

Either level-sense, or the rising or falling edge, can be selected for the detection of IRQ input.

Table 10.1 Interrupt Types

Source		Number of Sources (Max.)	Priority	INTEVT	Remarks
External interrupts	NMI	1	16	H'1C0	
	IRL	2	Inverse of values on the input pins (because the signals are active low) Input level H: high level L: low level (see table 10.11)	H'200 H'B00 H'220 H'B20 H'240 H'B40 H'260 H'B60 H'280 H'B80 H'2A0 H'BA0 H'2C0 H'BC0 H'2E0 H'BE0 H'300 H'C00	$\overline{\text{IRL}}[3:0] = \text{LLLL} (\text{H}'0)$ $\overline{\text{IRL}}[7:4] = \text{LLLL} (\text{H}'0)$ $\overline{\text{IRL}}[3:0] = \text{LLLH} (\text{H}'1)$ $\overline{\text{IRL}}[7:4] = \text{LLLH} (\text{H}'1)$ $\overline{\text{IRL}}[3:0] = \text{LLHL} (\text{H}'2)$ $\overline{\text{IRL}}[7:4] = \text{LLHL} (\text{H}'2)$ $\overline{\text{IRL}}[3:0] = \text{LLHH} (\text{H}'3)$ $\overline{\text{IRL}}[7:4] = \text{LLHH} (\text{H}'3)$ $\overline{\text{IRL}}[3:0] = \text{LHLL} (\text{H}'4)$ $\overline{\text{IRL}}[7:4] = \text{LHLL} (\text{H}'4)$ $\overline{\text{IRL}}[3:0] = \text{LHLH} (\text{H}'5)$ $\overline{\text{IRL}}[7:4] = \text{LHLH} (\text{H}'5)$ $\overline{\text{IRL}}[3:0] = \text{LHHL} (\text{H}'6)$ $\overline{\text{IRL}}[7:4] = \text{LHHL} (\text{H}'6)$ $\overline{\text{IRL}}[3:0] = \text{LHHH} (\text{H}'7)$ $\overline{\text{IRL}}[7:4] = \text{LHHH} (\text{H}'7)$ $\overline{\text{IRL}}[3:0] = \text{HLLL} (\text{H}'8)$ $\overline{\text{IRL}}[7:4] = \text{HLLL} (\text{H}'8)$

High

Low

Source		Number of Sources (Max.)	Priority	INTEVT	Remarks	
External interrupts	IRL	2	Inverse of values on the input pins (because the signals are active low) Input level H: high level L: low level (see table 10.11)	H'320	$\overline{\text{IRL}}[3:0]$ pin = HLLH (H'9)	High ↑ Low
				H'C20	$\overline{\text{IRL}}[7:4]$ pin = HLLH (H'9)	
				H'340	$\overline{\text{IRL}}[3:0]$ pin = HLHL (H'A)	
				H'C40	$\overline{\text{IRL}}[7:4]$ pin = HLHL (H'A)	
				H'360	$\overline{\text{IRL}}[3:0]$ pin = HLHH (H'B)	
				H'C60	$\overline{\text{IRL}}[7:4]$ pin = HLHH (H'B)	
				H'380	$\overline{\text{IRL}}[3:0]$ pin = HHLH (H'C)	
				H'C80	$\overline{\text{IRL}}[7:4]$ pin = HHLH (H'C)	
				H'3A0	$\overline{\text{IRL}}[3:0]$ pin = HHLH (H'D)	
				H'CA0	$\overline{\text{IRL}}[7:4]$ pin = HHLH (H'D)	
				H'3C0	$\overline{\text{IRL}}[3:0]$ pin = HHHL (H'E)	
				H'CC0	$\overline{\text{IRL}}[7:4]$ pin = HHHL (H'E)	
				IRQ interrupt		
H'280	IRQ[1]					
H'2C0	IRQ[2]					
H'300	IRQ[3]					
H'340	IRQ[4]					
H'380	IRQ[5]					
H'3C0	IRQ[6]					
H'200	IRQ[7]					
On-chip peripheral module interrupts*	WDT	1	Values set in INT2PRI0 to INT2PRI9	H'560	ITI*	
	TMU-ch0	1		H'580	TUNI0*	
	TMU-ch1	1		H'5A0	TUNI1*	
	TMU-ch2	2		H'5C0	TUNI2*	
				H'5E0	TICPI2*	
	H-UDI	1		H'600	H-UDII	
	DMAC(0)	7		H'620	DMINT0*	
				H'640	DMINT1*	
H'660			DMINT2*			

Source	Number of Sources (Max.)	Priority	INTEVT	Remarks
On-chip module interrupts*	DMAC(0) 7	Values set in INT2PRI0 to INT2PRI9	H'680	DMINT3*
			H'6A0	DMINT4*
			H'6C0	DMINT5*
	SCIF-ch0 4		H'6E0	DMAE0 (channels 0 to 5)*
			H'700	ERI0*
			H'720	RX10*
			H'740	BRI0*
			H'760	TX10*
	SCIF-ch1 4		H'780	ERI1*
			H'7A0	RX11*
			H'7C0	BRI1*
	DMAC(1) 7		H'7E0	TX11*
			H'880	DMINT6*
			H'8A0	DMINT7*
			H'8C0	DMINT8*
			H'8E0	DMINT9*
			H'900	DMINT10*
	HSPI 1		H'920	DMINT11*
			H'940	DMAE1 (channels 6 to 11)*
			H'960	SPII
	SCIF-ch2 4		H'980	ERI2*, RXI2*, BRI2*, TXI2*
	SCIF-ch3 4		H'9A0	ERI3*, RXI3*, BRI3*, TXI3*
	SCIF-ch4 4		H'9C0	ERI4*, RXI4*, BRI4*, TXI4*
	SCIF-ch5 4		H'9E0	ERI5*, RXI5*, BRI5*, TXI5*
	PCIC(0) 4		H'A00	PCISERR
	PCIC(1) 1		H'A20	PCIINTA
	PCIC(2) 1		H'A40	PCIINTB
PCIC(3) 1	H'A60	PCIINTC		
PCIC(4) 1	H'A80	PCIINTD		
PCIC(5) 5	H'AA0	PCIERR		
	H'AC0	PCIPWD3, PCIPWD2, PCIPWD1		
	H'AE0	PCIPWD0		

Source		Number of Sources (Max.)	Priority	INTEVT	Remarks
On-chip module interrupts*	SIOF	1	Values set in INT2PRI0 to INT2PRI9	H'CE0	SIOFI
	MMCIF	4		H'D00	FSTAT
				H'D20	TRAN
				H'D40	ERR
				H'D60	FRDY
	DU	1		H'D80	DUI
	GDTA	3		H'DA0	GACLI
				H'DC0	GAMCI
				H'DE0	GAERI
	TMU-ch3	1		H'E00	TUNI3*
	TMU-ch4	1		H'E20	TUNI4*
	TMU-ch5	1		H'E40	TUNI5*
	SSI-ch0	1		H'E80	SSII0
	SSI-ch1	1		H'EA0	SSII1
	HAC-ch0	1		H'EC0	HACI0
	HAC-ch1	1		H'EE0	HACI1
	FLCTL	4		H'F00	FLSTE*
				H'F20	FLTEND*
				H'F40	FLTRQ0*
				H'F60	FLTRQ1*
GPIO	4		H'F80	GPIOI0 (Port pins E0 to E2)	
			H'FA0	GPIOI1 (Port pins E3 to E5)	
			H'FC0	GPIOI2 (Port pins H1 to H4)	
			H'FE0	GPIOI3 (Port pins L6 and L7)	

Legend:

IT1:	WDT Interval timer interrupt
TUNI0 to TUNI5:	TMU channels 0 to 5 underflow interrupt
TICPI2:	TMU channel 2 input capture interrupt
DMINT0 to DMINT11:	DMAC channels 0 to 11 transfer end interrupt
DMAE0 (ch0 to 5):	DMAC address error interrupt (channels 0 to 5)
DMAE1 (ch6 to 11):	DMAC address error interrupt (channels 6 to 11)
ERI0, ERI1, ERI2, ERI3, ERI4, ERI5:	SCIF channels 0 to 5 receive error interrupt
RXI0, RXI1, RXI2, RXI3, RXI4, RXI5:	SCIF channels 0 to 5 receive data full interrupt

BRI0, BRI1, BRI2,
BRI3, BRI4, BRI5: SCIF channels 0 to 5 break interrupt
TXI0, TXI1, TXI2, TXI3,
TXI4, TXI5: SCIF channels 0 to 5 transmission data empty interrupt
FLSTE: FLCTL error interrupt
FLTEND: FLCTL error interrupt
FLTRQ0: FLCTL data FIFO transfer request interrupt
FLTRQ1: FLCTL control code FIFO transfer request interrupt
Note: * Abbreviations used in the sources of the on-chip peripheral module interrupts.

10.2 Input/Output Pins

Table 10.2 shows the pin configuration.

Table 10.2 INTC Pin Configuration

Pin Name	Function	I/O	Description
NMI	Nonmaskable interrupt input pin	Input	Nonmaskable interrupt request signal input
IRQ/ $\overline{\text{IRL}}7$ to IRQ/ $\overline{\text{IRL}}0$	External interrupt input pins	Input	Interrupt request signal input of IRQ7 to IRQ0 or $\overline{\text{IRL}}[7:4]$ and $\overline{\text{IRL}}[3:0]$ The IRQ/ $\overline{\text{IRL}}7$ pin is multiplexed with FD7 (FLCTL I/O), MODE3 (mode control input), and port L1 (GPIO I/O) pin, the IRQ/ $\overline{\text{IRL}}6$ pin is multiplexed with FD6 (FLCTL I/O), MODE2 (mode control input), and port L2 (GPIO I/O) pin, the IRQ/ $\overline{\text{IRL}}5$ pin is multiplexed with FD5 (FLCTL I/O), MODE1 (mode control input), and port L3 (GPIO I/O) pin, and the IRQ/ $\overline{\text{IRL}}4$ pin is multiplexed with FD4 (FLCTL I/O), MODE3 (mode control input), and port L4 (GPIO I/O) pin.
$\overline{\text{IRQOUT}}$	Interrupt request output pin	Output	<p>Informs an external device of the generation of an interrupt request.</p> <p>The $\overline{\text{IRQOUT}}$ pin is multiplexed with $\overline{\text{MRESETOUT}}$ (reset, watchdog timer (WDT) output pin).</p> <p>$\overline{\text{IRQOUT}}$ outputs the low level even if the interrupt request is not accepted by the CPU because of the priority of a generated interrupt request being lower than SR.IMASK. However, $\overline{\text{IRQOUT}}$ is not asserted in the following cases:</p> <p>(1) IRL interrupt</p> <ul style="list-style-type: none"> • The IRL interrupt is masked by INTMASK1, or • The $\overline{\text{IRL}}$ interrupt is masked by INTMASK2. <p>(2) $\overline{\text{IRQ}}$ interrupt</p> <ul style="list-style-type: none"> • The interrupt is masked by INTMASK1, or • The priority of the IRQ interrupt is set to H'0 by INTPRI <p>(3) On-chip module interrupt</p> <ul style="list-style-type: none"> • The on-chip module interrupt is masked by INT2MSKR, or • The priority is set to H'00 or H'01 by INT2PRI0 to INT2PRI9.

10.3 Register Descriptions

Table 10.3 shows the INTC register configuration. Table 10.4 shows the register states in each operating mode.

Table 10.3 INTC Register Configuration

Name	Abbreviation	R/W	P4 Address	Area 7 Address	Access Size	Sync. Clock
Interrupt control register 0	ICR0	R/W	H'FFD0 0000	H'1FD0 0000	32	Pck
Interrupt control register 1	ICR1	R/W	H'FFD0 001C	H'1FD0 001C	32	Pck
Interrupt priority register	INTPRI	R/W	H'FFD0 0010	H'1FD0 0010	32	Pck
Interrupt source register	INTREQ	R/(W)* ¹	H'FFD0 0024	H'1FD0 0024	32	Pck
Interrupt mask register 0	INTMSK0	R/W	H'FFD0 0044	H'1FD0 0044	32	Pck
Interrupt mask register 1	INTMSK1	R/W	H'FFD0 0048	H'1FD0 0048	32	Pck
Interrupt mask register 2	INTMSK2	R/W	H'FFD4 0080	H'1FD4 0080	32	Pck
Interrupt mask clear register 0	INTMSKCLR0	R/W	H'FFD0 0064	H'1FD0 0064	32	Pck
Interrupt mask clear register 1	INTMSKCLR1	R/W	H'FFD0 0068	H'1FD0 0068	32	Pck
Interrupt mask clear register 2	INTMSKCLR2	R/W	H'FFD4 0084	H'1FD4 0084	32	Pck
NMI flag control register	NMIFCR	R/(W)* ²	H'FFD0 00C0	H'1FD0 00C0	32	Pck
User interrupt mask level register	USERIMASK	R/W	H'FFD3 0000	H'1FD3 0000	32	Pck
Interrupt priority registers	INT2PRI0	R/W	H'FFD4 0000	H'1FD4 0000	32	Pck
	INT2PRI1	R/W	H'FFD4 0004	H'1FD4 0004	32	Pck
	INT2PRI2	R/W	H'FFD4 0008	H'1FD4 0008	32	Pck
	INT2PRI3	R/W	H'FFD4 000C	H'1FD4 000C	32	Pck
	INT2PRI4	R/W	H'FFD4 0010	H'1FD4 0010	32	Pck
	INT2PRI5	R/W	H'FFD4 0014	H'1FD4 0014	32	Pck
	INT2PRI6	R/W	H'FFD4 0018	H'1FD4 0018	32	Pck
	INT2PRI7	R/W	H'FFD4 001C	H'1FD4 001C	32	Pck
	INT2PRI8	R/W	H'FFD4 0020	H'1FD4 0020	32	Pck
	INT2PRI9	R/W	H'FFD4 0024	H'1FD4 0024	32	Pck
Interrupt source register (not affected by the mask state)	INT2A0	R	H'FFD4 0030	H'1FD4 0030	32	Pck

Name	Abbreviation	R/W	P4 Address	Area 7 Address	Access Size	Sync. Clock
Interrupt source register (affected by the mask state)	INT2A1	R	H'FFD4 0034	H'1FD4 0034	32	Pck
Interrupt mask register	INT2MSKR	R/W	H'FFD4 0038	H'1FD4 0038	32	Pck
Interrupt mask clear register	INT2MSKCLR	R/W	H'FFD4 003C	H'1FD4 003C	32	Pck
On-chip module interrupt source registers	INT2B0	R	H'FFD4 0040	H'1FD4 0040	32	Pck
	INT2B1	R	H'FFD4 0044	H'1FD4 0044	32	Pck
	INT2B2	R	H'FFD4 0048	H'1FD4 0048	32	Pck
	INT2B3	R	H'FFD4 004C	H'1FD4 004C	32	Pck
	INT2B4	R	H'FFD4 0050	H'1FD4 0050	32	Pck
	INT2B5	R	H'FFD4 0054	H'1FD4 0054	32	Pck
	INT2B6	R	H'FFD4 0058	H'1FD4 0058	32	Pck
	INT2B7	R	H'FFD4 005C	H'1FD4 005C	32	Pck
GPIO interrupt set register	INT2GPIC	R/W	H'FFD4 0090	H'1FD4 0090	32	Pck

- Notes: 1. The interrupt source registers (INTREQ) are readable and conditionally writable registers. For details, refer to section 10.3.1, External Interrupt Request Registers.
2. The NMI flag control register (NMIFCR) is readable and conditionally writable register. For details, refer to section 10.3.1, External Interrupt Request Registers.

Table 10.4 Register States in Each Operating Mode

Name	Abbreviation	Power-on Reset by PRESET Pin/WDT/H-UDI	Manual Reset by WDT/Multiple Exception	Sleep by SLEEP Instruction	Deep Sleep by SLEEP Instruction (DSLIP = 1)
Interrupt control register 0	ICR0	H'x000 0000*	H'x000 0000*	Retained	Retained
Interrupt control register 1	ICR1	H'0000 0000	H'0000 0000	Retained	Retained
Interrupt priority register	INTPRI	H'0000 0000	H'0000 0000	Retained	Retained
Interrupt source register	INTREQ	H'0000 0000	H'0000 0000	Retained	Retained
Interrupt mask register 0	INTMSK0	H'0000 0000	H'0000 0000	Retained	Retained
Interrupt mask register 1	INTMSK1	H'FF00 0000	H'FF00 0000	Retained	Retained
Interrupt mask register 2	INTMSK2	H'FF00 0000	H'FF00 0000	Retained	Retained
Interrupt mask clear register 0	INTMSKCLR0	H'xx00 0000	H'xx00 0000	Retained	Retained
Interrupt mask clear register 1	INTMSKCLR1	H'x000 0000	H'x000 0000	Retained	Retained
Interrupt mask clear register 2	INTMSKCLR2	H'xxxx xxxx	H'xxxx xxxx	Retained	Retained
NMI flag control register	NMIFCR	H'x000 0000*	H'x000 0000*	Retained	Retained
User interrupt mask level register	USERIMASK	H'0000 0000	H'0000 0000	Retained	Retained
Interrupt priority registers	INT2PRI0	H'0000 0000	H'0000 0000	Retained	Retained
	INT2PRI1	H'0000 0000	H'0000 0000	Retained	Retained
	INT2PRI2	H'0000 0000	H'0000 0000	Retained	Retained
	INT2PRI3	H'0000 0000	H'0000 0000	Retained	Retained
	INT2PRI4	H'0000 0000	H'0000 0000	Retained	Retained
	INT2PRI5	H'0000 0000	H'0000 0000	Retained	Retained
	INT2PRI6	H'0000 0000	H'0000 0000	Retained	Retained

10. Interrupt Controller (INTC)

Name	Abbreviation	Power-on Reset by PRESET Pin/WDT/H-UDI	Manual Reset by WDT/Multiple Exception	Sleep by SLEEP Instruction	Deep Sleep by SLEEP Instruction (DSL P = 1)
Interrupt priority registers	INT2PRI7	H'0000 0000	H'0000 0000	Retained	Retained
	INT2PRI8	H'0000 0000	H'0000 0000	Retained	Retained
	INT2PRI9	H'0000 0000	H'0000 0000	Retained	Retained
Interrupt source register (not affected by the mask state)	INT2A0	H'xxxx xxxx	H'xxxx xxxx	Retained	Retained
Interrupt source register (affected by the mask state)	INT2A1	H'0000 0000	H'0000 0000	Retained	Retained
Interrupt mask register	INT2MSKR	H'FFFF FFFF	H'FFFF FFFF	Retained	Retained
Interrupt mask clear register	INT2MSKCR	H'0000 0000	H'0000 0000	Retained	Retained
Module interrupt source registers	INT2B0	H'xxxx xxxx	H'xxxx xxxx	Retained	Retained
	INT2B1	H'xxxx xxxx	H'xxxx xxxx	Retained	Retained
	INT2B2	H'xxxx xxxx	H'xxxx xxxx	Retained	Retained
	INT2B3	H'xxxx xxxx	H'xxxx xxxx	Retained	Retained
	INT2B4	H'xxxx xxxx	H'xxxx xxxx	Retained	Retained
	INT2B5	H'xxxx xxxx	H'xxxx xxxx	Retained	Retained
	INT2B6	H'xxxx xxxx	H'xxxx xxxx	Retained	Retained
	INT2B7	H'xxxx xxxx	H'xxxx xxxx	Retained	Retained
GPIO interrupt set register	INT2GPIC	H'0000 0000	H'0000 0000	Retained	Retained

Note: * initial values of ICR0.NMIL and NMIFCR.NMIL depend on the level input to the NMI pin.

10.3.1 External Interrupt Request Registers

(1) Interrupt Control Register 0 (ICR0)

ICR0 is a 32-bit readable and partially writable register that sets the input signal detection mode for the external interrupt input pins and NMI pin, and indicates the level being input on the NMI pin.

Bit:	31	30	29	28	27	26	25	24	23	22	21	20	19	18	17	16
	NMIL	MAI	—	—	—	—	NMIB	NMIE	IRLMO	IRLM1	LVL MODE	—	—	—	—	—
Initial value:	—	0	0	0	0	0	0	0	0	0	0	0	0	0	0	0
R/W:	R	R/W	R	R	R	R	R/W	R/W	R/W	R/W	R/W	R	R	R	R	R
Bit:	15	14	13	12	11	10	9	8	7	6	5	4	3	2	1	0
	—	—	—	—	—	—	—	—	—	—	—	—	—	—	—	—
Initial value:	0	0	0	0	0	0	0	0	0	0	0	0	0	0	0	0
R/W:	R	R	R	R	R	R	R	R	R	R	R	R	R	R	R	R

Bit	Name	Initial Value	R/W	Description
31	NMIL	Undefined	R	<p>NMI Input Level</p> <p>Indicates the signal level being input on the NMI pin. Reading this bit allows the user to know the NMI pin level, and writing is invalid.</p> <p>0: Low level is being input on the NMI pin 1: High level is being input on the NMI pin</p>
30	MAI	0	R/W	<p>MAI (mask all interrupts) Interrupt Mask</p> <p>Specifies whether all interrupts are masked while the NMI pin is at the low level regardless of the setting of the BL bit in SR of the CPU.</p> <p>0: Interrupts remain enabled even when the NMI pin goes low 1: Interrupts are disabled when the NMI pin goes low</p>
29 to 26	—	All 0	R	<p>Reserved</p> <p>These bits are always read as 0. The write value should always be 0.</p>

Bit	Name	Initial Value	R/W	Description
25	NMIB	0	R/W	<p>NMI Block Mode</p> <p>Selects whether an NMI interrupt is held until the BL bit in SR is cleared to 0 or detected immediately when the BL bit in SR of the CPU is set to 1.</p> <p>0: An NMI interrupt is held when the BL bit in SR is set to 1 (initial value)</p> <p>1: An NMI interrupt is not held when the BL bit in SR is set to 1</p> <p>Note: If interrupts are accepted with the BL bit in SR set to 1, information saved for any previous exception (SSR, SPC, SGR, and INTEVT) is lost.</p>
24	NMIE	0	R/W	<p>NMI Edge Select</p> <p>Selects whether an interrupt request signal to the NMI pin is detected at the rising edge or the falling edge.</p> <p>0: An interrupt request is detected at the falling edge of NMI input (initial value)</p> <p>1: An interrupt request is detected at the rising edge of NMI input</p>
23	IRLM0 ^{*1*2}	0	R/W	<p>IRL Pin Mode 0</p> <p>Selects whether $IRQ/\overline{IRL3}$ to $IRQ/\overline{IRL0}$ are used as encoded interrupt requests (IRL3 to IRL0) or as four independent interrupts (IRQ3 to IRQ0 interrupts).</p> <p>0: $IRQ/\overline{IRL3}$ to $IRQ/\overline{IRL0}$ are used as the encoded interrupt requests (initial value)</p> <p>1: $IRQ/\overline{IRL3}$ to $IRQ/\overline{IRL0}$ are used as four independent interrupt requests</p>
22	IRLM1 ^{*1*2}	0	R/W	<p>IRL Pin Mode 1</p> <p>Selects whether $IRQ/\overline{IRL7}$ to $IRQ/\overline{IRL4}$ are used as 4-bit level-encoded interrupt requests (IRL7 to IRL4 interrupts) or as four independent interrupts (IRQ7 to IRQ4 interrupts).</p> <p>0: $IRQ/\overline{IRL7}$ to $IRQ/\overline{IRL4}$ are used as the 4-bit level-encoded interrupt requests (initial value)</p> <p>1: $IRQ/\overline{IRL7}$ to $IRQ/\overline{IRL4}$ are used as four independent interrupt requests</p>

Bit	Name	Initial Value	R/W	Description
21	LVLMODE	0	R/W	<p>Level-sense IRQ/$\overline{\text{IRL}}$ with holding function</p> <p>Selects whether or not to use the holding function for level-sense IRQ and IRL interrupts.</p> <p>0: Level-sense IRQ and IRL interrupt requests are held (initial value)</p> <p>1: Level-sense IRQ and IRL interrupt requests are not held</p> <p>Rewriting to this bit should be performed by the initialization routine before canceling the masking (INTMASK0 and INTMASK1) for the IRQ interrupts and IRL interrupt. After this, do not rewrite this bit until power-on reset or manual reset is made. The initial value is 0, however, it is recommended to use INTC after this bit has been set to 1 by the initialization routine.</p> <p>For the details of the operation when this bit is set to 0, refer to section 10.4.2, IRQ Interrupts, section 10.4.3, IRL Interrupts, section 10.7.1, Example of Handing Routine of IRL Interrupts and Level Detection IRQ Interrupts when ICR0.LVLMODE = 0, and section 10.7.3, Clearing IRQ and IRL Interrupt Requests.</p>
20 to 0	—	All 0	R	<p>Reserved</p> <p>These bits are always read as 0. The write value should always be 0.</p>

- Notes:
- When IRLM0 and IRLM1 are changed from 0 to 1, the IRL interrupt source that has been detected or held is cleared. When IRLM0 and IRLM1 are changed from 1 to 0, the IRL interrupt source that has been detected or held is not cleared.
 - When using the IRQ/ $\overline{\text{IRL3}}$ to IRQ/ $\overline{\text{IRL0}}$ pins or IRQ/ $\overline{\text{IRL7}}$ to IRQ/ $\overline{\text{IRL4}}$ pins as encoded IRL interrupt inputs, set IM00 to IM03 or IM04 to IM07 of the interrupt mask register 0 to 1, respectively.

(2) Interrupt Control Register 1 (ICR1)

ICR1 is a 32-bit readable/writable register that specifies the individual input signal detection modes for the respective external interrupt input pins $\overline{\text{IRQ}}/\overline{\text{IRL}}7$ to $\overline{\text{IRQ}}/\overline{\text{IRL}}0$. These settings are only valid when IRLM0 or IRLM1 of ICR0 is set to 1 so that $\overline{\text{IRQ}}/\overline{\text{IRL}}3$ to $\overline{\text{IRQ}}/\overline{\text{IRL}}0$ or $\overline{\text{IRQ}}/\overline{\text{IRL}}7$ to $\overline{\text{IRQ}}/\overline{\text{IRL}}4$ pins are used as individual interrupts (IRQ7 to IRQ0 interrupts) inputs.

Bit:	31	30	29	28	27	26	25	24	23	22	21	20	19	18	17	16
	IRQ0S		IRQ1S		IRQ2S		IRQ3S		IRQ4S		IRQ5S		IRQ6S		IRQ7S	
Initial value:	0	0	0	0	0	0	0	0	0	0	0	0	0	0	0	0
R/W:	R/W	R/W	R/W	R/W	R/W	R/W	R/W	R/W	R/W	R/W	R/W	R/W	R/W	R/W	R/W	R/W
Bit:	15	14	13	12	11	10	9	8	7	6	5	4	3	2	1	0
	—	—	—	—	—	—	—	—	—	—	—	—	—	—	—	—
Initial value:	0	0	0	0	0	0	0	0	0	0	0	0	0	0	0	0
R/W:	R	R	R	R	R	R	R	R	R	R	R	R	R	R	R	R

Bit	Name	Initial Value	R/W	Description
31, 30	IRQ0S	00	R/W	IRQn Sense Select
29, 28	IRQ1S	00	R/W	Selects whether the corresponding individual pin interrupt signal on the $\overline{\text{IRQ}}/\overline{\text{IRL}}7$ to $\overline{\text{IRQ}}/\overline{\text{IRL}}0$ pins is detected on rising or falling edges, or at the high or low level.
27, 26	IRQ2S	00	R/W	
25, 24	IRQ3S	00	R/W	
23, 22	IRQ4S	00	R/W	00: The interrupt request is detected on falling edges of the IRQn input.
21, 20	IRQ5S	00	R/W	01: The interrupt request is detected on rising edges of the IRQn input.
19, 18	IRQ6S	00	R/W	
17, 16	IRQ7S	00	R/W	10: The interrupt request is detected when the IRQn input is at the low level. 11: The interrupt request is detected when the IRQn input is at the high level.
				Note: n = 0 to 7
15 to 0	—	All 0	R	Reserved These bits are always read as 0. The write value should always be 0.

Notes: 1. When an IRQ pin is set for level input ($\text{IRQnS1} = 1$) and the source holding mode (LVLMODE of ICR0) of the interrupt control register 0 (ICR0) is 0, the interrupt source is held until the CPU accepts the interrupt (this is also true for other interrupts). Therefore, even if an interrupt source is disabled before this LSI returns from sleep mode, branching of processing to the interrupt handler when this LSI returns from sleep mode is guaranteed. A held interrupt can be cleared by setting the corresponding interrupt mask bit (the IM bit in the interrupt mask register) to 1 (refer to section 10.7.3, Clearing

IRQ and IRL Interrupt Requests).

2. When the IRQnS setting is changed from edge sense (IRQnS is 00 or 01) to level sense (IRQnS is 10 or 11), the IRQ interrupt source that has been edge sensed is cleared. When the IRQnS setting is changed from level sense (IRQnS is 10 or 11) to edge sense (IRQnS is 00 or 01), the IRQ interrupt source that has been sensed or held is cleared. When the IRQnS setting is changed from falling-edge sense (IRQnS is 00) to rising edge sense (IRQnS is 01), or changed from rising edge sense (IRQnS is 01) to the falling edge sense (IRQnS is 00), the IRQ interrupt source that has been sensed before changing the setting is not cleared. Likewise, when IRQnS setting is changed from low-level sense (IRQnS is 10) to high-level sense (IRQnS is 11), or changed from high-level sense (IRQnS is 11) to the low-level sense (IRQnS is 10), the IRQ interrupt source that has been sensed before changing the setting is not cleared.

(3) Interrupt Priority Register (INTPRI)

INTPRI is a 32-bit readable/writable register used to set the priorities of IRQ[7:0] (as levels from 15 to 0). These settings are only valid for IRQ/ $\overline{IRL}7$ to IRQ/ $\overline{IRL}4$ or IRQ/ $\overline{IRL}3$ to IRQ/ $\overline{IRL}0$ when set up as individual IRQ interrupts (IRQ7 to IRQ0 interrupts) by setting the IRLM0 or IRLM1 bit in ICR0 to 1.

Bit:	31	30	29	28	27	26	25	24	23	22	21	20	19	18	17	16
	IP0				IP1				IP2				IP3			
Initial value:	0	0	0	0	0	0	0	0	0	0	0	0	0	0	0	0
R/W:	R/W	R/W	R/W	R/W	R/W	R/W	R/W	R/W	R/W	R/W	R/W	R/W	R/W	R/W	R/W	R/W
Bit:	15	14	13	12	11	10	9	8	7	6	5	4	3	2	1	0
	IP4				IP5				IP6				IP7			
Initial value:	0	0	0	0	0	0	0	0	0	0	0	0	0	0	0	0
R/W:	R/W	R/W	R/W	R/W	R/W	R/W	R/W	R/W	R/W	R/W	R/W	R/W	R/W	R/W	R/W	R/W

Bit	Name	Initial Value	R/W	Description
31 to 28	IP0	H'0	R/W	Set the priority of IRQ0 as an individual pin interrupt request.
27 to 24	IP1	H'0	R/W	Set the priority of IRQ1 as an individual pin interrupt request.
23 to 20	IP2	H'0	R/W	Set the priority of IRQ2 as an individual pin interrupt request.
19 to 16	IP3	H'0	R/W	Set the priority of IRQ3 as an individual pin interrupt request.
15 to 12	IP4	H'0	R/W	Set the priority of IRQ4 as an individual pin interrupt request.
11 to 8	IP5	H'0	R/W	Set the priority of IRQ5 as an individual pin interrupt request.
7 to 4	IP6	H'0	R/W	Set the priority of IRQ6 as an individual pin interrupt request.
3 to 0	IP7	H'0	R/W	Set the priority of IRQ7 as an individual pin interrupt request.

Note: Interrupt priorities are established by setting values from H'F to H'1 in each of the 4-bit fields. A larger value corresponds to a higher priority. When the value H'0 is set in a field, the corresponding interrupt request is masked (initial value).

(4) Interrupt Source Register (INTREQ)

INTREQ is a 32-bit readable and conditionally writable register that indicates which of the IRQ [n] (n = 0 to 7) interrupts is currently asserting a request for the INTC.

Even if an interrupt is masked by the setting in INTPRI or INTMSK0, operation of the corresponding INTREQ bit is not affected.

Bit:	31	30	29	28	27	26	25	24	23	22	21	20	19	18	17	16
	IR0	IR1	IR2	IR3	IR4	IR5	IR6	IR7	—	—	—	—	—	—	—	—
Initial value:	0	0	0	0	0	0	0	0	0	0	0	0	0	0	0	0
R/W:	R/(W)	R/(W)	R/(W)	R/(W)	R/(W)	R/(W)	R/(W)	R/(W)	R	R	R	R	R	R	R	R

Bit:	15	14	13	12	11	10	9	8	7	6	5	4	3	2	1	0
	—	—	—	—	—	—	—	—	—	—	—	—	—	—	—	—
Initial value:	0	0	0	0	0	0	0	0	0	0	0	0	0	0	0	0
R/W:	R	R	R	R	R	R	R	R	R	R	R	R	R	R	R	R

Description

Bit	Name	Initial Value	R/W	Edge Detection (IRQnS = 00 or 01)* ¹	Level Detection (IRQnS = 10 or 11)* ¹
31	IR0	0	R/(W)	[When read]	[When read]
30	IR1	0	R/(W)	0: The corresponding IRQ interrupt request has not been detected.	(ICR0.LVLMODE = 0) 0: The corresponding interrupt source has not been detected.
29	IR2	0	R/(W)	1: The corresponding IRQ interrupt request has been detected.	1: The corresponding interrupt source has been detected.
28	IR3	0	R/(W)	[When written]* ²	[When read]
27	IR4	0	R/(W)	When clearing each bit, write a 0 after having read a 1 from it. Writing 1 to the bit is ignored.	(ICR0.LVLMODE = 1) 0: The corresponding IRQ interrupt pin is not asserted.
26	IR5	0	R/(W)		1: The corresponding IRQ interrupt pin is asserted, but the CPU has not accepted the interrupt request yet.
25	IR6	0	R/(W)		Writing have no effect.* ³
24	IR7	0	R/(W)		
23 to 0	—	All 0	R	Reserved	
				These bits are always read as 0. The write value should always be 0.	

Notes: 1. n = 0 to 7

2. Write 1 to the bit if it should not be cleared yet.

3. For the method of clearing the IRQ interrupt request that has been detected by level sensing, refer to section 10.7.3, Clearing IRQ and IRL Interrupt Requests.

(5) Interrupt Mask Register 0 (INTMSK0)

INTMSK0 is a 32-bit readable and conditionally writable register that sets masking for each of the interrupt requests IRQ_n (n = 0 to 7). To clear the mask setting for an interrupt, write 1 to the corresponding bit in INTMSKCLR0. Writing 0 to the bits in INTMSK0 has no effect. By reading this register once after writing to this register or after clearing the mask by setting INTMSKCLR0, the time length necessary for reflecting the register value can be assured (the value read is reflected to the mask status).

When using IRQ/IRL₃ to IRQ/IRL₀ pins or IRQ/IRL₇ to IRQ/IRL₄ pins for encoded IRL interrupt inputs, write 1 to IM00 to IM03 or IM04 to IM07, respectively.

Bit:	31	30	29	28	27	26	25	24	23	22	21	20	19	18	17	16
	IM00	IM01	IM02	IM03	IM04	IM05	IM06	IM07	—	—	—	—	—	—	—	—
Initial value:	1	1	1	1	1	1	1	1	0	0	0	0	0	0	0	0
R/W:	R/W	R/W	R/W	R/W	R/W	R/W	R/W	R/W	R	R	R	R	R	R	R	R
Bit:	15	14	13	12	11	10	9	8	7	6	5	4	3	2	1	0
	—	—	—	—	—	—	—	—	—	—	—	—	—	—	—	—
Initial value:	0	0	0	0	0	0	0	0	0	0	0	0	0	0	0	0
R/W:	R	R	R	R	R	R	R	R	R	R	R	R	R	R	R	R

Bit	Name	Initial Value	R/W	Description
31	IM00	1	R/W	Sets masking of individual pin interrupt source on IRQ0.
30	IM01	1	R/W	Sets masking of individual pin interrupt source on IRQ1.
29	IM02	1	R/W	Sets masking of individual pin interrupt source on IRQ2.
28	IM03	1	R/W	Sets masking of individual pin interrupt source on IRQ3.
27	IM04	1	R/W	Sets masking of individual pin interrupt source on IRQ4.

[When read]
0: The interrupts are accepted.
1: The interrupts are masked.

[When written]
0: No effect
1: Masks the interrupt

Bit	Name	Initial Value	R/W	Description
26	IM05	1	R/W	Sets masking of individual pin interrupt source on IRQ5. [When read] 0: The interrupts are accepted.
25	IM06	1	R/W	Sets masking of individual pin interrupt source on IRQ6. 1: The interrupts are masked. [When written]
24	IM07	1	R/W	Sets masking of individual pin interrupt source on IRQ7. 0: No effect 1: Masks the interrupt
23 to 0		All 0	R	Reserved These bits are always read as 0. The write value should always be 0.

(6) Interrupt Mask Register 1 (INTMSK1)

INTMSK1 is a 32-bit readable and conditionally writable register that sets masking for IRL interrupt requests. To clear the mask setting for the interrupt, write 1 to the corresponding bit in INTMSKCLR1. Writing 0 to the bits in INTMSK1 has no effect. By reading this register once after writing to this register or after clearing the mask by setting IMTMSKCLR1, the time length necessary for reflecting the register value can be assured (the value read is reflected to the mask status).

Bit:	31	30	29	28	27	26	25	24	23	22	21	20	19	18	17	16
	IM10	IM11	—	—	—	—	—	—	—	—	—	—	—	—	—	—
Initial value:	1	1	1	1	1	1	1	1	0	0	0	0	0	0	0	0
R/W:	R/W	R/W	R	R	R	R	R	R	R	R	R	R	R	R	R	R
Bit:	15	14	13	12	11	10	9	8	7	6	5	4	3	2	1	0
	—	—	—	—	—	—	—	—	—	—	—	—	—	—	—	—
Initial value:	0	0	0	0	0	0	0	0	0	0	0	0	0	0	0	0
R/W:	R	R	R	R	R	R	R	R	R	R	R	R	R	R	R	R

Bit	Name	Initial Value	R/W	Description
31	IM10	1	R/W	Mask setting for all $\overline{IRL3}$ to $\overline{IRL0}$ interrupt sources when pins $\overline{IRQ/IRL3}$ to $\overline{IRQ/IRL0}$ operate as an encoded interrupt input. [When read] 0: The interrupt is accepted. 1: The interrupt is masked.
30	IM11	1	R/W	Mask setting for all $\overline{IRL7}$ to $\overline{IRL4}$ interrupt sources when pins $\overline{IRQ/IRL7}$ to $\overline{IRQ/IRL4}$ operate as an encoded interrupt input. [When written] 0: No effect 1: Masks the interrupt
29 to 24	—	All 1	R	Reserved These bits are always read as 1. The write value should always be 1.
23 to 0	—	All 0	R	Reserved These bits are always read as 0. The write value should always be 0.

(7) Interrupt Mask Register 2 (INTMSK2)

INTMSK2 is a 32-bit readable and conditionally writable register that sets masking for IRL interrupt requests for input level pattern on the $\overline{\text{IRL}}$ pins. To clear the mask setting for the interrupt, write 1 to the corresponding bit in INTMSKCLR2. Writing 0 to the bits in INTMSK2 has no effect. By reading this register once after writing to this register or after clearing the mask by setting IMTMSKCLR2, the time length necessary for reflecting the register value can be assured (the value read is reflected to the mask status).

INTMSK2 settings are valid when the $\overline{\text{IRQ/IRL3}}$ to $\overline{\text{IRQ/IRL0}}$ pins or $\overline{\text{IRQ/IRL7}}$ to $\overline{\text{IRQ/IRL4}}$ pins are used for encoded IRL interrupt inputs, and the corresponding IRL interrupt is not masked by INTMSK1.

Bit:	31	30	29	28	27	26	25	24	23	22	21	20	19	18	17	16
	IM015	IM014	IM013	IM012	IM011	IM010	IM009	IM008	IM007	IM006	IM005	IM004	IM003	IM002	IM001	—
Initial value:	0	0	0	0	0	0	0	0	0	0	0	0	0	0	0	0
R/W:	R/W	R/W	R/W	R/W	R/W	R/W	R/W	R/W	R/W	R/W	R/W	R/W	R/W	R/W	R/W	R
Bit:	15	14	13	12	11	10	9	8	7	6	5	4	3	2	1	0
	IM115	IM114	IM113	IM112	IM111	IM110	IM109	IM108	IM107	IM106	IM105	IM104	IM103	IM102	IM101	—
Initial value:	0	0	0	0	0	0	0	0	0	0	0	0	0	0	0	0
R/W:	R/W	R/W	R/W	R/W	R/W	R/W	R/W	R/W	R/W	R/W	R/W	R/W	R/W	R/W	R/W	R

Bit	Name	Initial Value	R/W	Description
31	IM015	0	R/W	Masks the interrupt source of $\overline{\text{IRL3}}$ to $\overline{\text{IRL0}} = \text{LLLL}$ (H'0). [When read] 0: The interrupt is accepted.
30	IM014	0	R/W	Masks the interrupt source of $\overline{\text{IRL3}}$ to $\overline{\text{IRL0}} = \text{LLLH}$ (H'1). [When written] 1: The interrupt is masked.
29	IM013	0	R/W	Masks the interrupt source of $\overline{\text{IRL3}}$ to $\overline{\text{IRL0}} = \text{LLHL}$ (H'2). 0: No effect 1: Masks the interrupt
28	IM012	0	R/W	Masks the interrupt source of $\overline{\text{IRL3}}$ to $\overline{\text{IRL0}} = \text{LLHH}$ (H'3).
27	IM011	0	R/W	Masks the interrupt source of $\overline{\text{IRL3}}$ to $\overline{\text{IRL0}} = \text{LHLL}$ (H'4).

Bit	Name	Initial Value	R/W	Description	
26	IM010	0	R/W	Masks the interrupt source of $\overline{IRL3}$ to $\overline{IRL0}$ = LHLH (H'5).	[When read] 0: The interrupt is accepted.
25	IM009	0	R/W	Masks the interrupt source of $\overline{IRL3}$ to $\overline{IRL0}$ = LHHH (H'6).	1: The interrupt is masked.
24	IM008	0	R/W	Masks the interrupt source of $\overline{IRL3}$ to $\overline{IRL0}$ = LHHH (H'7).	[When written] 0: No effect 1: Masks the interrupt
23	IM007	0	R/W	Masks the interrupt source of $\overline{IRL3}$ to $\overline{IRL0}$ = HLLL (H'8).	
22	IM006	0	R/W	Masks the interrupt source of $\overline{IRL3}$ to $\overline{IRL0}$ = HLLH (H'9).	
21	IM005	0	R/W	Masks the interrupt source of $\overline{IRL3}$ to $\overline{IRL0}$ = HLHL (H'A).	
20	IM004	0	R/W	Masks the interrupt source of $\overline{IRL3}$ to $\overline{IRL0}$ = HLHH (H'B).	
19	IM003	0	R/W	Masks the interrupt source of $\overline{IRL3}$ to $\overline{IRL0}$ = HLLL (H'C).	
18	IM002	0	R/W	Masks the interrupt source of $\overline{IRL3}$ to $\overline{IRL0}$ = HHLH (H'D).	
17	IM001	0	R/W	Masks the interrupt source of $\overline{IRL3}$ to $\overline{IRL0}$ = HHHH (H'E).	
16	—	0	R	Reserved This bit is always read as 0. The write value should always be 0.	

Bit	Name	Initial Value	R/W	Description
15	IM115	0	R/W	Masks the interrupt source of IRL7 to IRL4 = LLLL (H'0). [When read] 0: The interrupt is accepted.
14	IM114	0	R/W	Masks the interrupt source of IRL7 to IRL4 = LLLH (H'1). 1: The interrupt is masked. [When written]
13	IM113	0	R/W	Masks the interrupt source of IRL7 to IRL4 = LLHL (H'2). 0: No effect 1: Masks the interrupt
12	IM112	0	R/W	Masks the interrupt source of IRL7 to IRL4 = LLHH (H'3).
11	IM111	0	R/W	Masks the interrupt source of IRL7 to IRL4 = LLLL (H'4).
10	IM110	0	R/W	Masks the interrupt source of IRL7 to IRL4 = LHLH (H'5).
9	IM109	0	R/W	Masks the interrupt source of IRL7 to IRL4 = LHHL (H'6).
8	IM108	0	R/W	Masks the interrupt source of IRL7 to IRL4 = LHHH (H'7).
7	IM107	0	R/W	Masks the interrupt source of IRL7 to IRL4 = HLLL (H'8).
6	IM106	0	R/W	Masks the interrupt source of IRL7 to IRL4 = HLLH (H'9).
5	IM105	0	R/W	Masks the interrupt source of IRL7 to IRL4 = HLHL (H'A).
4	IM104	0	R/W	Masks the interrupt source of IRL7 to IRL4 = HLHH (H'B).
3	IM103	0	R/W	Masks the interrupt source of IRL7 to IRL4 = HLLL (H'C).

Bit	Name	Initial Value	R/W	Description
2	IM102	0	R/W	Masks the interrupt source of $\overline{IRL7}$ to $\overline{IRL4}$ = HHLH (H'D). [When read] 0: The interrupt is accepted.
1	IM101	0	R/W	Masks the interrupt source of $\overline{IRL7}$ to $\overline{IRL4}$ = HHHL (H'E). [When written] 0: No effect 1: Masks the interrupt
0	—	0	R	Reserved This bit is always read as 0. The write value should always be 0.

(8) Interrupt Mask Clear Register 0 (INTMSKCLR0)

INTMSKCLR0 is a 32-bit write-only register that clears the mask settings for each of the interrupt requests IRQ_n (n = 0 to 7). Undefined values are read from this register.

Bit:	31	30	29	28	27	26	25	24	23	22	21	20	19	18	17	16
	IC00	IC01	IC02	IC03	IC04	IC05	IC06	IC07	—	—	—	—	—	—	—	—
Initial value:	0	0	0	0	0	0	0	0	0	0	0	0	0	0	0	0
R/W:	R/W	R/W	R/W	R/W	R/W	R/W	R/W	R/W	R	R	R	R	R	R	R	R
Bit:	15	14	13	12	11	10	9	8	7	6	5	4	3	2	1	0
	—	—	—	—	—	—	—	—	—	—	—	—	—	—	—	—
Initial value:	0	0	0	0	0	0	0	0	0	0	0	0	0	0	0	0
R/W:	R	R	R	R	R	R	R	R	R	R	R	R	R	R	R	R

Bit	Name	Initial Value	R/W	Description
31	IC00	0	R/W	Clears masking of IRQ0 interrupt. [When read] Undefined values are read.
30	IC01	0	R/W	Clears masking of IRQ1 interrupt. [When written]
29	IC02	0	R/W	Clears masking of IRQ2 interrupt. 0: No effect
28	IC03	0	R/W	Clears masking of IRQ3 interrupt. 1: Clears the corresponding interrupt mask (enables the interrupt)
27	IC04	0	R/W	Clears masking of IRQ4 interrupt.
26	IC05	0	R/W	Clears masking of IRQ5 interrupt.
25	IC06	0	R/W	Clears masking of IRQ6 interrupt.
24	IC07	0	R/W	Clears masking of IRQ7 interrupt.
23 to 0	—	All 0	R	Reserved These bits are always read as 0. The write value should always be 0.

(9) Interrupt Mask Clear Register 1 (INTMSKCLR1)

INTMSKCLR1 is a 32-bit write-only register that clears the mask settings for the IRL interrupt requests. Undefined values are read from this register.

Bit:	31	30	29	28	27	26	25	24	23	22	21	20	19	18	17	16
	IC10	IC11	—	—	—	—	—	—	—	—	—	—	—	—	—	—
Initial value:	0	0	0	0	0	0	0	0	0	0	0	0	0	0	0	0
R/W:	R/W	R/W	R	R	R	R	R	R	R	R	R	R	R	R	R	R
Bit:	15	14	13	12	11	10	9	8	7	6	5	4	3	2	1	0
	—	—	—	—	—	—	—	—	—	—	—	—	—	—	—	—
Initial value:	0	0	0	0	0	0	0	0	0	0	0	0	0	0	0	0
R/W:	R	R	R	R	R	R	R	R	R	R	R	R	R	R	R	R

Bit	Name	Initial Value	R/W	Description
31	IC10	0	R/W	Clears masking of $\overline{\text{IRL3}}$ to $\overline{\text{IRL0}}$ interrupt sources when $\overline{\text{IRL3}}$ to $\overline{\text{IRL0}}$ operate as an encoded interrupt input. [When read] Undefined values are read. [When written] 0: No effect
30	IC11	0	R/W	Clears masking of $\overline{\text{IRL7}}$ to $\overline{\text{IRL4}}$ interrupt sources when $\overline{\text{IRL7}}$ to $\overline{\text{IRL4}}$ operate as an encoded interrupt input. 1: Clears the corresponding interrupt mask (enables the interrupt)
29 to 0	—	All 0	R	Reserved These bits are always read as 0. The write value should always be 0.

(10) Interrupt Mask Clear Register 2 (INTMSKCLR2)

INTMSKCLR2 is a 32-bit write-only register that clears the mask settings for the \overline{IRL} interrupt requests for each input level pattern on the \overline{IRL} pins. Undefined values are read from this register.

Bit:	31	30	29	28	27	26	25	24	23	22	21	20	19	18	17	16
	IC015	IC014	IC013	IC012	IC011	IC010	IC009	IC008	IC007	IC006	IC005	IC004	IC003	IC002	IC001	—
Initial value:	0	0	0	0	0	0	0	0	0	0	0	0	0	0	0	0
R/W:	R/W	R/W	R/W	R/W	R/W	R/W	R/W	R/W	R/W	R/W	R/W	R/W	R/W	R/W	R/W	R

Bit:	15	14	13	12	11	10	9	8	7	6	5	4	3	2	1	0
	IC115	IC114	IC113	IC112	IC111	IC110	IC109	IC108	IC107	IC106	IC105	IC104	IC103	IC102	IC101	—
Initial value:	0	0	0	0	0	0	0	0	0	0	0	0	0	0	0	0
R/W:	R/W	R/W	R/W	R/W	R/W	R/W	R/W	R/W	R/W	R/W	R/W	R/W	R/W	R/W	R/W	R

Bit	Name	Initial Value	R/W	Description
31	IC015	0	R/W	Clears masking of the interrupt source of $\overline{IRL3}$ to $\overline{IRL0} = LLLL$ (H'0). [When read] Undefined values are read.
30	IC014	0	R/W	Clears masking of the interrupt source of $\overline{IRL3}$ to $\overline{IRL0} = LLLH$ (H'1). [When written] 0: No effect
29	IC013	0	R/W	Clears masking of the interrupt source of $\overline{IRL3}$ to $\overline{IRL0} = LLHL$ (H'2). 1: Clears the corresponding interrupt mask (enables the interrupt)
28	IC012	0	R/W	Clears masking of the interrupt source of $\overline{IRL3}$ to $\overline{IRL0} = LLHH$ (H'3).
27	IC011	0	R/W	Clears masking of the interrupt source of $\overline{IRL3}$ to $\overline{IRL0} = LHLL$ (H'4).
26	IC010	0	R/W	Clears masking of the interrupt source of $\overline{IRL3}$ to $\overline{IRL0} = LHLH$ (H'5).
25	IC009	0	R/W	Clears masking of the interrupt source of $\overline{IRL3}$ to $\overline{IRL0} = LHHL$ (H'6).
24	IC008	0	R/W	Clears masking of the interrupt source of $\overline{IRL3}$ to $\overline{IRL0} = LHHH$ (H'7).

Bit	Name	Initial Value	R/W	Description	
23	IC007	0	R/W	Clears masking of the interrupt source of $\overline{IRL3}$ to $\overline{IRL0} = HLLL$ (H'8).	[When read] Undefined values are read.
22	IC006	0	R/W	Clears masking of the interrupt source of $\overline{IRL3}$ to $\overline{IRL0} = HLLH$ (H'9).	[When written] 0: No effect 1: Clears the corresponding interrupt mask (enables the interrupt)
21	IC005	0	R/W	Clears masking of the interrupt source of $\overline{IRL3}$ to $\overline{IRL0} = HLHL$ (H'A).	
20	IC004	0	R/W	Clears masking of the interrupt source of $\overline{IRL3}$ to $\overline{IRL0} = HLHH$ (H'B).	
19	IC003	0	R/W	Clears masking of the interrupt source of $\overline{IRL3}$ to $\overline{IRL0} = HLLL$ (H'C).	
18	IC002	0	R/W	Clears masking of the interrupt source of $\overline{IRL3}$ to $\overline{IRL0} = HLLH$ (H'D).	
17	IC001	0	R/W	Clears masking of the interrupt source of $\overline{IRL3}$ to $\overline{IRL0} = HHHL$ (H'E).	
16	—	0	R	Reserved This bit is always read as 0. The write value should always be 0.	
15	IC115	0	R/W	Clears masking of the interrupt source of $\overline{IRL7}$ to $\overline{IRL4} = LLLL$ (H'0).	[When read] Undefined values are read.
14	IC114	0	R/W	Clears masking of the interrupt source of $\overline{IRL7}$ to $\overline{IRL4} = LLLH$ (H'1).	[When written] 0: No effect 1: Clears the corresponding interrupt mask (enables the interrupt)
13	IC113	0	R/W	Clears masking of the interrupt source of $\overline{IRL7}$ to $\overline{IRL4} = LLHL$ (H'2).	
12	IC112	0	R/W	Clears masking of the interrupt source of $\overline{IRL7}$ to $\overline{IRL4} = LLHH$ (H'3).	

Bit	Name	Initial Value	R/W	Description	
11	IC111	0	R/W	Clears masking of the interrupt source of $\overline{IRL7}$ to $\overline{IRL4} = LHLH$ (H'4).	[When read] Undefined values are read.
10	IC110	0	R/W	Clears masking of the interrupt source of $\overline{IRL7}$ to $\overline{IRL4} = LHLH$ (H'5).	[When written] 0: No effect 1: Clears the corresponding interrupt mask (enables the Interrupt)
9	IC109	0	R/W	Clears masking of the interrupt source of $\overline{IRL7}$ to $\overline{IRL4} = LHLH$ (H'6).	
8	IC108	0	R/W	Clears masking of the interrupt source of $\overline{IRL7}$ to $\overline{IRL4} = LHLH$ (H'7).	
7	IC107	0	R/W	Clears masking of the interrupt source of $\overline{IRL7}$ to $\overline{IRL4} = HLLL$ (H'8).	
6	IC106	0	R/W	Clears masking of the interrupt source of $\overline{IRL7}$ to $\overline{IRL4} = HLLL$ (H'9).	
5	IC105	0	R/W	Clears masking of the interrupt source of $\overline{IRL7}$ to $\overline{IRL4} = HLHL$ (H'A).	
4	IC104	0	R/W	Clears masking of the interrupt source of $\overline{IRL7}$ to $\overline{IRL4} = HLHL$ (H'B).	
3	IC103	0	R/W	Clears masking of the interrupt source of $\overline{IRL7}$ to $\overline{IRL4} = HLLL$ (H'C).	
2	IC102	0	R/W	Clears masking of the interrupt source of $\overline{IRL7}$ to $\overline{IRL4} = HLLL$ (H'D).	
1	IC101	0	R/W	Clears masking of the interrupt source of $\overline{IRL7}$ to $\overline{IRL4} = HLLL$ (H'E).	
0	—	0	R	Reserved This bit is always read as 0. The write value should always be 0.	

(11) NMI Flag Control Register (NMIFCR)

NMIFCR is a 32-bit readable and conditionally writable register that has an NMI flag (NMIFL bit). The NMIFL bit is automatically set to 1 when an NMI interrupt is detected by the INTC. Writing 0 to the NMIFL bit clears it.

The value of the NMIFL bit does not affect acceptance of the NMI by the CPU. Although an NMI request detected by the INTC is cleared when the CPU accepts the NMI, the NMIFL bit is not cleared automatically. Even if 0 is written to the NMIFL bit before the NMI request is accepted by the CPU, the NMI request is not canceled.

Bit:	31	30	29	28	27	26	25	24	23	22	21	20	19	18	17	16
	NMIL	—	—	—	—	—	—	—	—	—	—	—	—	—	—	NMIFL
Initial value:	x	0	0	0	0	0	0	0	0	0	0	0	0	0	0	0
R/W:	R	R	R	R	R	R	R	R	R	R	R	R	R	R	R	R/(W)
Bit:	15	14	13	12	11	10	9	8	7	6	5	4	3	2	1	0
	—	—	—	—	—	—	—	—	—	—	—	—	—	—	—	—
Initial value:	0	0	0	0	0	0	0	0	0	0	0	0	0	0	0	0
R/W:	R	R	R	R	R	R	R	R	R	R	R	R	R	R	R	R

Bit	Name	Initial Value	R/W	Description
31	NMIL	x	R	NMI Input Level Indicates the level of the signal input to the NMI pin; that is, this bit is read to determine the level on the NMI pin. This bit cannot be modified. 0: The low level is being input to the NMI pin 1: The high level is being input to the NMI pin
30 to 17	—	All 0	R	Reserved These bits are always read as 0. The write value should always be 0.

Bit	Name	Initial Value	R/W	Description
16	NMIFL	0	R/(W)	<p>NMI Flag (NMI Interrupt Request Detection)</p> <p>Indicates whether an NMI interrupt request signal has been detected. This bit is automatically set to 1 when the INTC detects an NMI interrupt request. Write 0 to clear the bit. Writing 1 to this bit has no effect.</p> <p>[When read]</p> <p>1: NMI has been detected 0: NMI has not been detected</p> <p>[When written]</p> <p>0: Clears the NMI flag 1: No effect</p>
15 to 0	—	All 0	R	<p>Reserved</p> <p>These bits are always read as 0. The write value should always be 0.</p>

10.3.2 User Mode Interrupt Disable Function

(1) User Interrupt Mask Level Setting Register (USERIMASK)

USERIMASK is a 32-bit readable and conditionally writable register that sets the acceptable interrupt level. This register is allocated to the 64-Kbyte page that the other registers in the INTC are not allocated. Therefore, only this register can be set to be accessible in user mode by changing the address to area 7 address through the MMU.

The interrupts that the level is lower than the level set in the UIMASK bits are masked. When H'F is set in the UIMASK bit, all interrupts other than the NMI are masked.

The interrupts that the level is higher than the level set in the UIMASK bits are accepted under the following conditions. The corresponding interrupt mask bit in the interrupt mask register is cleared to 0 (the interrupt is enabled). The IMASK bit in SR is set lower than its interrupt level.

The value of the UIMASK bit does not change even if an interrupt is accepted.

USERIMASK is initialized to H'0000 0000 (all interrupts are enabled) by a power-on reset or manual reset.

To prevent incorrect writing, this register should not be written to unless bits 31 to 24 are set to H'A5.

Bit:	31	30	29	28	27	26	25	24	23	22	21	20	19	18	17	16
	Code for writing (H'A5)								—	—	—	—	—	—	—	—
Initial value:	0	0	0	0	0	0	0	0	0	0	0	0	0	0	0	0
R/W:	R/W	R/W	R/W	R/W	R/W	R/W	R/W	R/W	R	R	R	R	R	R	R	R
Bit:	15	14	13	12	11	10	9	8	7	6	5	4	3	2	1	0
	—	—	—	—	—	—	—	—	UIMASK				—	—	—	—
Initial value:	0	0	0	0	0	0	0	0	0	0	0	0	0	0	0	0
R/W:	R	R	R	R	R	R	R	R	R/W	R/W	R/W	R/W	R	R	R	R

Bit	Name	Initial Value	R/W	Description
31 to 24	(Code for writing)	H'00	R/W	Code for writing (H'A5) These bits are always read as 0. Set these bits to H'A5 when writing to the UIMASK bits (Write to the UIMASK bits with these bits set to H'A5).
23 to 8	—	All 0	R	Reserved These bits are always read as 0. The write value should always be 0.
7 to 4	UIMASK	0	R/W	Interrupt Mask Level The interrupts whose level is equal to or lower than the value set in the UIMASK bits are masked.
3 to 0	—	All 0	R	Reserved These bits are always read as 0. The write value should always be 0.

(2) Procedure for Using the User Interrupt Mask Level Register

By setting the interrupt mask level in USERIMASK, the interrupts whose level is equal to or lower than the value set in USERIMASK are disabled. This function is used to disable less urgent interrupts when more urgent processing is performed by the tasks such as device drivers operating in user mode to reduce the processing time.

USERIMASK is allocated in a different 64-Kbyte space apart from the one where other INTC registers are allocated. Access to this register in user mode involves address translation by the MMU. In a multitasking OS, the memory-protection functions of the MMU should be used to control the processes that can access USERIMASK. Clear USERIMASK to 0 before completing a task or switching to another task. If a task is completed with the UIMASK bits set to a value other than 0, the interrupts whose level is equal to or lower than UIMASK remain disabled. This can lead to problems, for example, the OS may not be able to switch between tasks.

An example procedure for using USERIMASK is described below.

- Classify interrupts into A and B, as described below. Then, set the interrupt level of A-type interrupts higher than that of the B-priority interrupts.
 - Interrupts to be accepted by device drivers (interrupts used in the OS, such as a timer interrupt)
 - Interrupts that should not be accepted by device drivers
- Set the MMU so that the access to the address space containing USERIMASK is only allowed for the device drivers that need to disable the interrupts.

3. Branch to the device driver.
4. In the device driver operating in user mode, set the UIMASK bits to mask the B-type interrupts.
5. Process more urgent interrupts in the device driver.
6. Clear the UIMASK bit to 0 and return from the processing by the device driver.

10.3.3 On-chip Module Interrupt Priority Registers

(1) Interrupt Priority Registers (INT2PRI0 to INT2PRI9)

INT2PRI0 to INT2PRI9 are 32-bit readable/writable registers that set priority levels (31 to 0) of the on-chip peripheral module interrupts. These registers are initialized to H'0000 0000 by a reset.

These registers can set the priority of each interrupt source in 30 levels (H'00 and H'01 mask the interrupt request) by the 5-bit field.

Bit:	31	30	29	28	27	26	25	24	23	22	21	20	19	18	17	16
	—	—	—						—	—	—					
Initial value:	0	0	0	0	0	0	0	0	0	0	0	0	0	0	0	0
R/W:	R	R	R	R/W	R/W	R/W	R/W	R/W	R	R	R	R/W	R/W	R/W	R/W	R/W
Bit:	15	14	13	12	11	10	9	8	7	6	5	4	3	2	1	0
	—	—	—						—	—	—					
Initial value:	0	0	0	0	0	0	0	0	0	0	0	0	0	0	0	0
R/W:	R	R	R	R/W	R/W	R/W	R/W	R/W	R	R	R	R/W	R/W	R/W	R/W	R/W

Table 10.5 shows the correspondence between interrupt request sources and bits in INT2PRI0 to INT2PRI9.

Table 10.5 Interrupt Request Sources and INT2PRI0 to INT2PRI9

Register	Bits			
	28 to 24	20 to 16	12 to 8	4 to 0
INT2PRI0	TMU channel 0	TMU channel 1	TMU channel 2	TMU channel 2 input capture
INT2PRI1	TMU channel 3	TMU channel 4	TMU channel 5	Reserved*
INT2PRI2	SCIF channel 0	SCIF channel 1	SCIF channel 2	SCIF channel 3
INT2PRI3	SCIF channel 4	SCIF channel 5	WDT	Reserved*
INT2PRI4	H-UDI	DMAC (0)	DMAC (1)	Reserved*
INT2PRI5	HAC channel 0	HAC channel 1	PCIC (0)	PCIC (1)
INT2PRI6	PCIC (2)	PCIC (3)	PCIC (4)	PCIC (5)
INT2PRI7	SIOF	HSPI	MMCIF	Reserved*
INT2PRI8	FLCTL	GPIO	SSI channel 0	SSI channel 1
INT2PRI9	DU	GDTA	Reserved*	Reserved*

Notes: The larger the value is, the higher the priority is. If the value is set to H'00 or H'01, the request is masked. For details, see table 10.1, Interrupt Sources.

* Reserved bits are always read as 0. The write value should always be 0.

(2) Interrupt Source Register (Not affected by Mask Setting) (INT2A0)

INT2A0 is a 32-bit read-only register that indicates the interrupt sources of on-chip peripheral modules. Even if an interrupt is masked by the interrupt mask register, the corresponding bit in INT2A0 is set (further interrupt operation is not performed for the corresponding bit). Use INT2A1 instead if the bits for the interrupt sources masked by the interrupt mask registers should not be set.

Bit:	31	30	29	28	27	26	25	24	23	22	21	20	19	18	17	16
	—	—	—													
Initial value:	0	0	0	—	—	—	—	—	—	—	—	—	—	—	—	—
R/W:	R	R	R	R	R	R	R	R	R	R	R	R	R	R	R	R
Bit:	15	14	13	12	11	10	9	8	7	6	5	4	3	2	1	0
Initial value:	—	—	—	—	—	—	—	—	—	—	—	—	—	—	—	—
R/W:	R	R	R	R	R	R	R	R	R	R	R	R	R	R	R	R

Table 10.6 shows the correspondence between bits in INT2A0 and the interrupt sources.

Table 10.6 Correspondence between Bits in INT2A0 and Interrupt Sources

Bit	Initial Value	R/W	Source	Function	Description
31 to 29	All 0	R	Reserved	These bits are always read as 0. The write value should always be 0.	These bits indicate the interrupt source of each peripheral module that is generating an interrupt. (INT2A0 is not affected by the setting of the interrupt mask register). 0: No interrupt 1: An interrupt has occurred Note: Interrupt sources can also be identified by directly reading the INTEVT code. In this case, reading from this register is not required.
28	Undefined	R	GDTA	GDTA interrupt source indication	
27	Undefined	R	DU	DU interrupt source indication	
26	Undefined	R	SSI channel 1	SSI channel 1 interrupt source indication	
25	Undefined	R	SSI channel 0	SSI channel 0 interrupt source indication	
24	Undefined	R	GPIO	GPIO interrupt source indication	
23	Undefined	R	FLCTL	FLCTL interrupt source indication	
22	Undefined	R	MMCIF	MMCIF interrupt source indication	

Bit	Initial Value	R/W	Source	Function	Description
21	Undefined	R	HSPI	HSPI interrupt source indication	<p>These bits indicate the interrupt source of each peripheral module that is generating an interrupt. (INT2A0 is not affected by the setting of the interrupt mask register).</p> <p>0: No interrupt</p> <p>1: An interrupt has occurred</p> <p>Note: Interrupt sources can also be identified by directly reading the INTEVT code. In this case, reading from this register is not required.</p>
20	Undefined	R	SIOF	SIOF interrupt source indication	
19	Undefined	R	PCIC (5)	PCIERR and PCIPWD3 to PCIPWD0 interrupt source indication	
18	Undefined	R	PCIC (4)	PCIINTD interrupt source indication	
17	Undefined	R	PCIC (3)	PCIINTC interrupt source indication	
16	Undefined	R	PCIC (2)	PCIINTB interrupt source indication	
15	Undefined	R	PCIC (1)	PCIINTA interrupt source indication	
14	Undefined	R	PCIC (0)	PCISERR interrupt source indication	
13	Undefined	R	HAC channel 1	HAC channel 1 interrupt source indication	
12	Undefined	R	HAC channel 0	HAC channel 0 interrupt source indication	
11	Undefined	R	DMAC (1)	DMAC channels 6 to 11 and address error interrupt source indication	
10	Undefined	R	DMAC (0)	DMAC channels 0 to 5 and address error interrupt source indication	
9	Undefined	R	H-UDI	H-UDI interrupt source indication	
8	Undefined	R	WDT	WDT interrupt source indication	
7	Undefined	R	SCIF channel 5	SCIF channel 5 interrupt source indication	
6	Undefined	R	SCIF channel 4	SCIF channel 4 interrupt source indication	

Bit	Initial Value	R/W	Source	Function	Description
5	Undefined	R	SCIF channel 3	SCIF channel 3 interrupt source indication	These bits indicate the interrupt source of each peripheral module that is generating an interrupt. (INT2A0 is not affected by the setting of the interrupt mask register).
4	Undefined	R	SCIF channel 2	SCIF channel 2 interrupt source indication	
3	Undefined	R	SCIF channel 1	SCIF channel 1 interrupt source indication	
2	Undefined	R	SCIF channel 0	SCIF channel 0 interrupt source indication	0: No interrupt 1: An interrupt has occurred
1	Undefined	R	TMU channels 3 to 5	TMU channel 3 to 5 interrupt source indication	Note: Interrupt sources can also be identified by directly reading the INTEVT code. In this case, reading from this register is not required.
0	Undefined	R	TMU channels 0 to 2	TMU channel 0 to 2 interrupt source indication	

If the interrupt source in an individual module is set or cleared, the time required until the state is reflected in INT2A0 is as shown in table 10.7.

Table 10.7 Reflection time for INT2A0 and INT2A1 when Interrupt Source Bit in Peripheral Module Is Set/Cleared

Module	Relation between Setting/Clearing Interrupt Source of Module and Indication by INT2A0 and INT2A1
WDT, TMU, SCIF, HSPI, SIOF, MMCIF, DU, SSI, HAC, FLCTL	<p>When an interrupt source bit is set in the register* in the module that indicates generation of interrupt requests, the same interrupt status information is read from that register and INT2A0 or INT2A1. This means that the time required for reflection in INT2A0 and INT2A1 is guaranteed by hardware.</p> <p>When an interrupt source is cleared, the status after the source is cleared can be read from INT2A0 or INT2A1 if read after clearing the interrupt source flag in the module.</p>
H-UDI, GDTA	<p>When an interrupt source bit is set in the register* in the module that indicates generation of interrupt requests (SDINT in the H-UDI, GACISR in the GDTA), the same interrupt status information is read from that register and INT2A0 or INT2A1. This means that the time required for reflection in INT2A0 and INT2A1 is guaranteed by hardware.</p> <p>When an interrupt source is cleared, the time required for reflection in INT2A0 and INT2A1 can be guaranteed by dummy-reading SDINT in the H-UDI or GACISR in the GDTA once after clearing the interrupt source flag in the module.</p>
PCIC (excluding the pin input-related interrupt sources PCIINTA, PCIINTB, PCIINTC, and PCIINTD)	<p>When a PCIC interrupt source bit is set in PCIIR, PCIAINT, or PCIPINT that indicates generation of interrupt requests, the time required for reflection in INT2A0 and INT2A1 is guaranteed by dummy-reading an arbitrary register in the INTC once and then reading from INT2A0 or INT2A1.</p> <p>When a PCIC interrupt source is cleared, the time required for reflection in INT2A0 and INT2A1 is guaranteed in this way: after writing to PCIIR, PCIAINT, or PCIPINT, dummy-read PCIIR, PCIAINT, or PCIPINT once and then dummy-read an arbitrary register in the INTC.</p>

Module	Relation between Setting/Clearing Interrupt Source of Module and Indication by INT2A0 and INT2A1	
DMAC	Interrupt sources DMAE0, DMAE1	<p>When the DMAE0 or DMAE1 interrupt source bit (i.e. the AE bit in DMAOR0 or DMAOR1) is set, the same interrupt status information is read from registers DMAOR0 and DMAOR1 and registers INT2A0 and INT2A1. This means that the time required for reflection in INT2A0 and INT2A1 is guaranteed by hardware.</p> <p>When the DMAE0 or DMAE1 interrupt source is cleared, the time required for reflection in INT2A0 and INT2A1 is guaranteed by dummy reading DMAOR0 or DMAOR1 once after writing to DMAOR0 or DMAOR1.</p>
	Interrupt sources DMINT0 to DMINT11	<p>Setting of the HE and TE bits in CHCR0 to CHCR11 and output of interrupt request to the INTC take place with different timing. For details, see section 14, Direct Memory Access Controller (DMAC).</p> <p>When interrupt sources, DMINT0 to DMINT11 (corresponding to bits HE and TE in CHCR0 to CHCR11) are cleared, the time required for reflection in INT2A0 and INT2A1 is guaranteed by dummy-reading CHCR0 to CHCR11 once after writing to CHCR0 to CHCR11 that indicate generation of interrupt requests.</p>

Note: The registers in the modules that indicate generation of interrupt requests are as follows.

WDT: WDTCSR
 TMU: TCR0 to TCR5
 SCIF: SCFSR0 to SCFSR6, SCLSR0 to SCLSR6
 HSPI: SPSR
 SIOF: SISTR
 MMCIF: INTSTR0 to INTSTR2
 DU: DSSR
 SSI: SSISR
 HAC: HACTSR, HACRSR
 FLCTL: FLINTDMACR, FLTRCR

(3) Interrupt Source Register (Affected by Mask States) (INT2A1)

INT2A1 is a 32-bit read-only register that indicates the interrupt sources of on-chip peripheral modules. If an interrupt is masked by the interrupt mask register, the corresponding bit in INT2A1 is not set to 1. Use INT2A0 to check whether interrupts have been generated, regardless of the state of the interrupt mask register.

Bit:	31	30	29	28	27	26	25	24	23	22	21	20	19	18	17	16
	—	—	—													
Initial value:	0	0	0	0	0	0	0	0	0	0	0	0	0	0	0	0
R/W:	R	R	R	R	R	R	R	R	R	R	R	R	R	R	R	R
Bit:	15	14	13	12	11	10	9	8	7	6	5	4	3	2	1	0
Initial value:	0	0	0	0	0	0	0	0	0	0	0	0	0	0	0	0
R/W:	R	R	R	R	R	R	R	R	R	R	R	R	R	R	R	R

Table 10.8 shows the correspondence between bits in INT2A1 and the interrupt sources.

Table 10.8 Correspondence between Bits in INT2A1 and Interrupt Sources

Bit	Initial Value	R/W	Source	Function	Description
31 to 0 29		R	Reserved	These bits are read as 0 and cannot be modified.	These bits indicate the interrupt source of each peripheral module that is generating an interrupt. (INT2A1 is affected by the setting of the interrupt mask register). 0: No interrupt 1: An interrupt has occurred Note: Interrupt sources can also be identified by directly reading the INTEVT code. In this case, reading from this register is not required.
28	0	R	GDТА	GDТА interrupt source indication	
27	0	R	DU	DU interrupt source indication	
26	0	R	SSI channel 1	SSI channel 1 interrupt source indication	
25	0	R	SSI channel 0	SSI channel 0 interrupt source indication	
24	0	R	GPIO	GPIO interrupt source indication	
23	0	R	FLCTL	FLCTL interrupt source indication	
22	0	R	MMCIF	MMCIF interrupt source indication	
21	0	R	HSPI	HSPI interrupt source indication	

Bit	Initial Value	R/W	Source	Function	Description
20	0	R	SIOF	SIOF interrupt source indication	These bits indicate the interrupt source of each peripheral module that is generating an interrupt. (INT2A1 is affected by the setting of the interrupt mask register). 0: No interrupt 1: An interrupt has occurred Note: Interrupt sources can also be identified by directly reading the INTEVT code. In this case, reading from this register is not required.
19	0	R	PCIC (5)	PCIERR and PCIPWD3 to PCIPWD0 interrupt source indication	
18	0	R	PCIC (4)	PCIINTD interrupt source indication	
17	0	R	PCIC (3)	PCIINTC interrupt source indication	
16	0	R	PCIC (2)	PCIINTB interrupt source indication	
15	0	R	PCIC (1)	PCIINTA interrupt source indication	
14	0	R	PCIC (0)	PCISERR interrupt source indication	
13	0	R	HAC channel 1	HAC channel 1 interrupt source indication	
12	0	R	HAC channel 0	HAC channel 0 interrupt source indication	
11	0	R	DMAC (1)	DMAC channels 6 to 11 and address error interrupt source indication	
10	0	R	DMAC (0)	DMAC channels 0 to 5 and address error interrupt source indication	
9	0	R	H-UDI	H-UDI interrupt source indication	
8	0	R	WDT	WDT interrupt source indication	
7	0	R	SCIF channel 5	SCIF channel 5 interrupt source indication	
6	0	R	SCIF channel 4	SCIF channel 4 interrupt source indication	
5	0	R	SCIF channel 3	SCIF channel 3 interrupt source indication	
4	0	R	SCIF channel 2	SCIF channel 2 interrupt source indication	

Bit	Initial Value	R/W	Source	Function	Description
3	0	R	SCIF channel 1	SCIF channel 1 interrupt source indication	These bits indicate the interrupt source of each peripheral module that is generating an interrupt. (INT2A1 is affected by the setting of the interrupt mask register). 0: No interrupt 1: An interrupt has occurred Note: Interrupt sources can also be identified by directly reading the INTEVT code. In this case, reading from this register is not required.
2	0	R	SCIF channel 0	SCIF channel 0 interrupt source indication	
1	0	R	TMU channels 3 to 5	TMU channel 3 to 5 interrupt source indication	
0	0	R	TMU channels 0 to 2	TMU channel 0 to 2 interrupt source indication	

If the interrupt source in an individual module is set or cleared, the time required until the state is reflected in INT2A1 is as shown in table 10.7.

If the interrupt masking is set by INT2MSKR or the interrupt masking by INT2MSKR is cleared by INT2MSKCLR, the reflection time required for INT2A1 is guaranteed by hardware. Therefore, after the interrupt mask is set or cleared, the contents that reflect the setting of INT2MSKR can be read.

(4) Interrupt Mask Register (INT2MSKR)

INT2MSKR is a 32-bit readable/writable register that can mask interrupts for sources indicated in the interrupt source register. When a bit in this register is set to 1, the interrupt in the corresponding bit is not notified. INT2MSKR is initialized to H'FFFF FFFF (all masked) by a reset.

After this register is written to or the masking is cleared by writing to INT2MSKCLR, the timing required to reflect the register value is guaranteed by reading from this register once.

Bit:	31	30	29	28	27	26	25	24	23	22	21	20	19	18	17	16
	—	—	—													
Initial value:	1	1	1	1	1	1	1	1	1	1	1	1	1	1	1	1
R/W:	R	R	R	R/W	R/W	R/W	R/W	R/W	R/W	R/W	R/W	R/W	R/W	R/W	R/W	R/W
Bit:	15	14	13	12	11	10	9	8	7	6	5	4	3	2	1	0
Initial value:	1	1	1	1	1	1	1	1	1	1	1	1	1	1	1	1
R/W:	R/W	R/W	R/W	R/W	R/W	R/W	R/W	R/W	R/W	R/W	R/W	R/W	R/W	R/W	R/W	R/W

Table 10.9 shows the correspondence between bits in INT2MSKR and the interrupts that are masked.

Table 10.9 Correspondence between Bits in INT2MSKR and Interrupts that Are Masked

Bit	Initial Value	R/W	Source	Function	Description
31 to 29	All 1	R	Reserved	These bits are always read as 1. The write value should always be 1.	Masks interrupt of each on-chip peripheral module
28	1	R/W	GDTA	Masks GDTA interrupt	[When written]
27	1	R/W	DU	Masks DU interrupt	0: Invalid
26	1	R/W	SSI channel 1	Masks the SSI channel 1 interrupt	1: Interrupt is masked
25	1	R/W	SSI channel 0	Masks the SSI channel 0 interrupt	[When read]
24	1	R/W	GPIO	Masks the GPIO interrupt	0: Not masked
23	1	R/W	FLCTL	Masks the FLCTL interrupt	1: Masked
22	1	R/W	MMCIF	Masks the MMCIF interrupt	
21	1	R/W	HSPI	Masks the HSPI interrupt	
20	1	R/W	SIOF	Masks the SIOF interrupt	
19	1	R/W	PCIC (5)	Masks PCIERR and PCIPWD3 to PCIPWD0 interrupt	

Bit	Initial Value	R/W	Source	Function	Description
18	1	R/W	PCIC (4)	Masks the PCIINTD interrupt	Masks interrupt to each on-chip peripheral module
17	1	R/W	PCIC (3)	Masks the PCIINTC interrupt	
16	1	R/W	PCIC (2)	Masks the PCIINTB interrupt	[When written]
15	1	R/W	PCIC (1)	Masks the PCIINTA interrupt	0: Invalid
14	1	R/W	PCIC (0)	Masks the PCISERR interrupt	1: Interrupts are masked
13	1	R/W	HAC channel 1	Masks the HAC channel 1 interrupt	[When read]
12	1	R/W	HAC channel 0	Masks the HAC channel 0 interrupt	0: Not masked
11	1	R/W	DMAC (1)	Masks DMAC channels 6 to 11 interrupts and address error interrupt	1: Masked
10	1	R/W	DMAC (0)	Masks DMAC channels 0 to 5 interrupts and address error interrupt	
9	1	R/W	H-UDI	Masks the H-UDI interrupt	
8	1	R/W	WDT	Masks the WDT interrupt	
7	1	R/W	SCIF channel 5	Masks SCIF channel 5 interrupt	
6	1	R/W	SCIF channel 4	Masks SCIF channel 4 interrupt	
5	1	R/W	SCIF channel 3	Masks SCIF channel 3 interrupt	
4	1	R/W	SCIF channel 2	Masks SCIF channel 2 interrupt	
3	1	R/W	SCIF channel 1	Masks SCIF channel 1 interrupt	
2	1	R/W	SCIF channel 0	Masks SCIF channel 0 interrupt	
1	1	R/W	TMU channels 3 to 5	Masks TMU channels 3 to 5 interrupts	
0	1	R/W	TMU channels 0 to 2	Masks TMU channels 0 to 2 interrupts	

(5) Interrupt Mask Clear Register (INT2MSKCR)

INT2MSKCR is a 32-bit write-only register that clears the masking set in the interrupt mask register. When the corresponding bit in this register is set to 1, the interrupt source masking is cleared. These bits are always read as 0.

Bit:	31	30	29	28	27	26	25	24	23	22	21	20	19	18	17	16
	—	—	—													
Initial value:	0	0	0	0	0	0	0	0	0	0	0	0	0	0	0	0
R/W:	R	R	R	R/W	R/W	R/W	R/W	R/W	R/W	R/W	R/W	R/W	R/W	R/W	R/W	R/W
Bit:	15	14	13	12	11	10	9	8	7	6	5	4	3	2	1	0
Initial value:	0	0	0	0	0	0	0	0	0	0	0	0	0	0	0	0
R/W:	R/W	R/W	R/W	R/W	R/W	R/W	R/W	R/W	R/W	R/W	R/W	R/W	R/W	R/W	R/W	R/W

Table 10.10 shows the correspondence between bits in INT2MSKCR and interrupt masking that are cleared.

Table 10.10 Correspondence between Bits in INT2MSKCR and Interrupt Masking that Are Cleared

Bit	Initial Value	R/W	Source	Function	Description
31 to 29	All 0	R	Reserved	These bits are always read as 0. The write value should always be 0.	Clears interrupt masking for each on-chip peripheral module [When written] 0: Invalid 1: Clears interrupt masking [When read] Always 0
28	0	R/W	GDTA	Clears the GDTA interrupt masking	
27	0	R/W	DU	Clears the DU interrupt masking	
26	0	R/W	SSI channel 1	Clears the SSI channel 1 interrupt masking	
25	0	R/W	SSI channel 0	Clears the SSI channel 0 interrupt masking	
24	0	R/W	GPIO	Clears the GPIO interrupt masking	
23	0	R/W	FLCTL	Clears the FLCTL interrupt masking	
22	0	R/W	MMCIF	Clears the MMCIF interrupt masking	
21	0	R/W	HSPI	Clears the HSPI interrupt masking	
20	0	R/W	SIOF	Clears the SIOF interrupt masking	
19	0	R/W	PCIC (5)	Clears the PCIERR and PCIPWD3 to PCIPWD0 interrupts masking	

Bit	Initial Value	R/W	Source	Function	Description
18	0	R/W	PCIC (4)	Clears the PCIINTD interrupt masking	Clears interrupt masking for each on-chip peripheral module [When written]
17	0	R/W	PCIC (3)	Clears the PCIINTC interrupt masking	
16	0	R/W	PCIC (2)	Clears the PCIINTB interrupt masking	0: Invalid
15	0	R/W	PCIC (1)	Clears the PCIINTA interrupt masking	1: Clears interrupt masking [When read]
14	0	R/W	PCIC (0)	Clears the PCISERR interrupt masking	Always 0
13	0	R/W	HAC channel 1	Clears the HAC channel 1 interrupt masking	
12	0	R/W	HAC channel 0	Clears the HAC channel 0 interrupt masking	
11	0	R/W	DMAC (1)	Clears DMAC channels 6 to 11 interrupt masking and address error interrupt	
10	0	R/W	DMAC (0)	Clears DMAC channels 0 to 5 interrupt masking and address error interrupt	
9	0	R/W	H-UDI	Clears H-UDI interrupt masking	
8	0	R/W	WDT	Clears the WDT interrupt masking	
7	0	R/W	SCIF channel 5	Clears SCIF channel 5 interrupt masking	
6	0	R/W	SCIF channel 4	Clears SCIF channel 4 interrupt masking	
5	0	R/W	SCIF channel 3	Clears SCIF channel 3 interrupt masking	
4	0	R/W	SCIF channel 2	Clears SCIF channel 2 interrupt masking	
3	0	R/W	SCIF channel 1	Clears SCIF channel 1 interrupt masking	
2	0	R/W	SCIF channel 0	Clears SCIF channel 0 interrupt masking	
1	0	R/W	TMU channels 3 to 5	Clears TMU channel 3 to 5 interrupt masking	
0	0	R/W	TMU channels 0 to 2	Clears TMU channel 0 to 2 interrupt masking	

10.3.4 Individual On-Chip Module Interrupt Source Registers (INT2B0 to INT2B7)

INT2B0 to INT2B7 are registers that indicate more details on each interrupt source, in addition to the interrupt source that is corresponding to each module and is indicated in the interrupt source register. INT2B0 to INT2B7 are 32-bit read-only registers that are not affected by the masked state in the interrupt mask register. To mask each detailed source independently, set the interrupt mask register of the corresponding module, or the interrupt enable register.

Bit:	31	30	29	28	27	26	25	24	23	22	21	20	19	18	17	16
Initial value:	—	—	—	—	—	—	—	—	—	—	—	—	—	—	—	—
R/W:	R	R	R	R	R	R	R	R	R	R	R	R	R	R	R	R
Bit:	15	14	13	12	11	10	9	8	7	6	5	4	3	2	1	0
Initial value:	—	—	—	—	—	—	—	—	—	—	—	—	—	—	—	—
R/W:	R	R	R	R	R	R	R	R	R	R	R	R	R	R	R	R

(1) INT2B0: Detailed Interrupt Sources for the TMU

Module	Bit	Name	Detailed Source	Description
TMU	31 to 7	—	Reserved These bits are read as 0 and cannot be modified.	TMU interrupt sources are indicated. This register indicates the TMU interrupt sources even if the mask setting for TMU is made in the interrupt mask register.
	6	TUNI5	TMU channel 5 underflow interrupt	
	5	TUNI4	TMU channel 4 underflow interrupt	
	4	TUNI3	TMU channel 3 underflow interrupt	
	3	TICPI2	TMU channel 2 input capture interrupt	
	2	TUNI2	TMU channel 2 underflow interrupt	
	1	TUNI1	TMU channel 1 underflow interrupt	
	0	TUNI0	TMU channel 0 underflow interrupt	

(2) INT2B1: Detailed Interrupt Sources for the SCIF

Module	Bit	Name	Detailed Source	Description
SCIF	31 to 24	—	Reserved These bits are read as 0 and cannot be modified.	SCIF interrupt sources are indicated. This register indicates the SCIF interrupt sources even if the mask setting for SCIF is made in the interrupt mask register.
	23	TXI5	SCIF channel 5 transmit FIFO data empty interrupt	
	22	BRI5	SCIF channel 5 break interrupt or overrun error interrupt	
	21	RXI5	SCIF channel 5 receive FIFO data full interrupt or receive data ready interrupt	
	20	ERI5	SCIF channel 5 receive error interrupt	
	19	TXI4	SCIF channel 4 transmit FIFO data empty interrupt	
	18	BRI4	SCIF channel 4 break interrupt or overrun error interrupt	
	17	RXI4	SCIF channel 4 receive FIFO data full interrupt or receive data ready interrupt	
	16	ERI4	SCIF channel 4 receive error interrupt	
	15	TXI3	SCIF channel 3 transmit FIFO data empty interrupt	
	14	BRI3	SCIF channel 3 break interrupt or overrun error interrupt	
	13	RXI3	SCIF channel 3 receive FIFO data full interrupt or receive data ready interrupt	
	12	ERI3	SCIF channel 3 receive error interrupt	

Module	Bit	Name	Detailed Source	Description
SCIF	11	TXI2	SCIF channel 2 transmit FIFO data empty interrupt	SCIF interrupt sources are indicated. This register indicates the SCIF interrupt sources even if the mask setting for SCIF is made in the interrupt mask register.
	10	BRI2	SCIF channel 2 break interrupt or overrun error interrupt	
	9	RXI2	SCIF channel 2 receive FIFO data full interrupt or receive data ready interrupt	
	8	ERI2	SCIF channel 2 receive error interrupt	
	7	TXI1	SCIF channel 1 transmit FIFO data empty interrupt	
	6	BRI1	SCIF channel 1 break interrupt or overrun error interrupt	
	5	RXI1	SCIF channel 1 receive FIFO data full interrupt or receive data ready interrupt	
	4	ERI1	SCIF channel 1 receive error interrupt	
	3	TXI0	SCIF channel 0 transmit FIFO data empty interrupt	
	2	BRI0	SCIF channel 0 break interrupt or overrun error interrupt	
	1	RXI0	SCIF channel 0 receive FIFO data full interrupt or receive data ready interrupt	
	0	ERI0	SCIF channel 0 receive error interrupt	

(3) INT2B2: Detailed Interrupt Sources for the DMAC

Module	Bit	Name	Detailed Source	Description
DMAC	31 to 14	—	Reserved These bits are read as 0 and cannot be modified.	DMAC interrupt sources are indicated. This register indicates the DMAC interrupt sources even if the mask setting for DMAC is made in the interrupt mask register.
	13	DMAE1	Channels 6 to 11 DMA address error interrupt	
	12	DMINT11	Channel 11 DMA transfer end or half-end interrupt	
	11	DMINT10	Channel 10 DMA transfer end or half-end interrupt	
	10	DMINT9	Channel 9 DMA transfer end or half-end interrupt	
	9	DMINT8	Channel 8 DMA transfer end or half-end interrupt	
	8	DMINT7	Channel 7 DMA transfer end or half-end interrupt	
	7	DMINT6	Channel 6 DMA transfer end or half-end interrupt	
	6	DMAE0	Channels 0 to 5 DMA address error interrupt	
	5	DMINT5	Channel 5 DMA transfer end or half-end interrupt	
	4	DMINT4	Channel 4 DMA transfer end or half-end interrupt	
	3	DMINT3	Channel 3 DMA transfer end or half-end interrupt	
	2	DMINT2	Channel 2 DMA transfer end or half-end interrupt	
	1	DMINT1	Channel 1 DMA transfer end or half-end interrupt	
	0	DMINT0	Channel 0 DMA transfer end or half-end interrupt	

(4) INT2B3: Detailed Interrupt Sources for the PCIC

Module	Bit	Name	Detailed Source	Description
PCIC	31 to 10	—	Reserved These bits are read as 0 and cannot be modified.	PCIC interrupt sources are indicated. This register indicates the PCIC interrupt sources even if the mask setting for PCIC is made in the interrupt mask register.
	9	PCIPWD0	PCIC power state D0 state interrupt	
	8	PCIPWD1	PCIC power state D1 state interrupt	
	7	PCIPWD2	PCIC power state D2 state interrupt	
	6	PCIPWD3	PCIC power state D3 state interrupt	
	5	PCIERR	PCIC error interrupt	
	4	PCIINTD	PCIC INTD interrupt	
	3	PCIINTC	PCIC INTC interrupt	
	2	PCIINTB	PCIC INTB interrupt	
	1	PCIINTA	PCIC INTA interrupt	
	0	PCISERR	PCIC SERR interrupt	

(5) INT2B4: Detailed Interrupt Sources for the MMCIF

Module	Bit	Name	Detailed Source	Description
MMCIF	31 to 4	—	Reserved These bits are read as 0 and cannot be modified.	MMCIF interrupt sources are indicated. This register indicates the MMCIF interrupt sources even if the mask setting for MMCIF is made in the interrupt mask register.
	3	FRDY	FIFO ready end interrupt	
	2	ERR	CRC error interrupt, data timeout error interrupt, or command timeout error interrupt	
	1	TRAN	Data response interrupt, data transfer end interrupt, command response receive end interrupt, command transmit end interrupt, or data busy end interrupt	
	0	FSTAT	FIFO empty interrupt or FIFO full interrupt	

(6) INT2B5: Detailed Interrupt Sources for the FLCTL

Module	Bit	Name	Detailed Source	Description
FLCTL	31 to 4	—	Reserved These bits are read as 0 and cannot be modified.	FLCTL interrupt sources are indicated. This register indicates the FLCTL interrupt sources even if the mask setting for FLCTL is made in the interrupt mask register.
	3	FLTRQ1	FLCTL FLECFIFO transfer request interrupt	
	2	FLTRQ0	FLCTL TLDTFIFO transfer request interrupt	
	1	FLTEND	FLCTL transfer end interrupt	
	0	FLSTE	FLCTL status error interrupt or ready/busy timeout error interrupt	

(7) INT2B6: Detailed Interrupt Sources for the GPIO

Module	Bit	Name	Detailed Source	Description
GPIO	31 to 26	—	Reserved These bits are read as 0 and cannot be modified.	GPIO interrupt sources are indicated. This register indicates the GPIO interrupt sources even if the mask setting for GPIO is made in the interrupt mask register.
	25	PORTL7I	GPIO interrupt from port L pin 7	
	24	PORTL6I	GPIO interrupt from port L pin 6	
	23 to 20	—	Reserved These bits are read as 0 and cannot be modified.	
	19	PORTH4I	GPIO interrupt from port H pin 4	
	18	PORTH3I	GPIO interrupt from port H pin 3	
	17	PORTH2I	GPIO interrupt from port H pin 2	
	16	PORTH1I	GPIO interrupt from port H pin 1	
	15 to 11	—	Reserved These bits are read as 0 and cannot be modified.	
	10	PORTE5I	GPIO interrupt from port E pin 5	
	9	PORTE4I	GPIO interrupt from port E pin 4	
	8	PORTE3I	GPIO interrupt from port E pin 3	
	7 to 3	—	Reserved These bits are read as 0 and cannot be modified.	
	2	PORTE2I	GPIO interrupt from port E pin 2	
	1	PORTE1I	GPIO interrupt from port E pin 1	
	0	PORTE0I	GPIO interrupt from port E pin 0	

(8) INT2B7: Detailed Interrupt Sources for the GDTA

Module	Bit	Name	Detailed Source	Description
GDTA	31 to 3	—	Reserved These bits are read as 0 and cannot be modified.	GDTA interrupt sources are indicated. This register indicates the GDTA interrupt sources even if the mask setting for GDTA is made in the interrupt mask register.
	2	GAERI	GDTA error interrupt	
	1	GAMCI	MC transfer end interrupt	
	0	GACLI	CL transfer end interrupt	

10.3.5 GPIO Interrupt Set Register (INT2GPIC)

INT2GPIC enables interrupt requests input from the pins 0 to 5 of port E, pins 1 to 4 of port H, pins 6 and 7 of port L, as GPIO interrupts.

A GPIO interrupt is a low-active interrupt. Enable interrupt requests after setting the pins corresponding to the port control register (E, H, and L) used for GPIO interrupts to be input pins from ports For the port control registers, see section 28, General Purpose I/O Ports (GPIO).

The timing required to reflect the register value is guaranteed by writing to this register, and then, reading from this register once (the interrupt request is reflected).

Bit:	31	30	29	28	27	26	25	24	23	22	21	20	19	18	17	16
	—	—	—	—	—	—			—	—	—	—				
Initial value:	0	0	0	0	0	0	0	0	0	0	0	0	0	0	0	0
R/W:	R	R	R	R	R	R	R/W	R/W	R	R	R	R	R/W	R/W	R/W	R/W
Bit:	15	14	13	12	11	10	9	8	7	6	5	4	3	2	1	0
	—	—	—	—	—				—	—	—	—	—			
Initial value:	0	0	0	0	0	0	0	0	0	0	0	0	0	0	0	0
R/W:	R	R	R	R	R	R/W	R/W	R/W	R	R	R	R	R	R/W	R/W	R/W

Table 10.11 shows the correspondence between bits in INT2GPIC and the functions.

Table 10.11 Correspondence between Bits in INT2GPIC and GPIO Interrupts

Bit	Name	Initial Value	R/W	Function	Description
31 to 26	—	All 0	R/W	Reserved These bits are always read as 0. The write value should always be 0.	Enables GPIO interrupt request for each pin.
25	PORTL7E	0	R/W	Enables interrupt request from pin 7 of port L.	0: Disable the corresponding interrupt request
24	PORTL6E	0	R/W	Enables interrupt request from pin 6 of port L.	1: Enable the corresponding interrupt request
23 to 20	—	All 0	R/W	Reserved These bits are always read as 0. The write value should always be 0.	
19	PORTH4E	0	R/W	Enables interrupt request from pin 4 of port H.	

Bit	Name	Initial Value	R/W	Function	Description
18	PORTH3E	0	R/W	Enables interrupt request from pin 3 of port H.	Enables a GPIO interrupt request for each pin.
17	PORTH2E	0	R/W	Enables interrupt request from pin 2 of port H.	
16	PORTH1E	0	R/W	Enables interrupt request from pin 1 of port H.	0: Disable the corresponding interrupt request 1: Enable the corresponding interrupt request
15 to 11	—	All 0	R/W	Reserved These bits are always read as 0. The write value should always be 0.	
10	PORTE5E	0	R/W	Enables interrupt request from pin 5 of port E.	
9	PORTE4E	0	R/W	Enables interrupt request from pin 4 of port E.	
8	PORTE3E	0	R/W	Enables interrupt request from pin 3 of port E.	
7 to 3	—	All 0	R/W	Reserved These bits are always read as 0. The write value should always be 0.	
2	PORTE2E	0	R/W	Enables interrupt request from pin 2 of port E.	
1	PORTE1E	0	R/W	Enables interrupt request from pin 1 of port E.	
0	PORTE0E	0	R/W	Enables interrupt request from pin 0 of port E.	

When a GPIO port pin is used as an interrupt pin, the GPIO notifies the INTC of the interrupt when the GPIO detects an interrupt. The INTC indicates the interrupt as a 1-bit source in INT2A0 or INT2A1. In this case, the port and the pin number which interrupts are generated from can be identified by referring to INT2B6. Also, the ports can be specified by referring to the INTEVT code.

10.4 Interrupt Sources

There are four types of interrupt sources, NMI, IRQ, IRL, and on-chip module interrupts. Each interrupt has a priority level (16 to 0). Level 16 is the highest and level 1 is the lowest. When the level is set to 0, the interrupt is masked and interrupt requests are ignored.

10.4.1 NMI Interrupts

The NMI interrupt has the highest priority of level 16. The interrupt is always accepted unless the BL bit in SR of the CPU is set to 1. In sleep mode, the interrupt is accepted even if the BL bit is set to 1.

According to a setting, the NMI interrupt can be accepted even if the BL bit is set to 1.

Input from the NMI pin is detected at the edge. The NMI edge select bit (NMIE) in ICR0 is used to select from the rising or falling edge. After the NMIE bit in ICR0 is modified, the NMI interrupt is not detected for up to six bus clock cycles.

When the INTMU bit in the CPUOPM is set to 1, the interrupt mask level (IMASK) in SR is automatically set to level 15. When the INTMU bit in CPUOPM is cleared to 0, the IMASK value in SR is not affected by accepting an NMI interrupt.

10.4.2 IRQ Interrupts

(1) Independence from ICR0.LVLMODE Setting

The IRQ interrupt is valid when 1 is written to the IRLM0 and IRLM1 bits in ICR0 and pins $\overline{\text{IRQ}}/\overline{\text{IRL}}7$ to $\overline{\text{IRQ}}/\overline{\text{IRL}}0$ are used for independent interrupts. The rising edge, falling edge, low level, and high level detections are enabled by setting the IRQnS1 and IRQnS0 bits (n = 0 to 7). The priority of interrupts is set by INTPR1.

If an IRQ interrupt request is detected by the low level or high level detection, the pin state of IRQ interrupt state should be retained until interrupt handling starts after interrupts are accepted.

When the INTMU bit in CPUOPM is set to 1, the interrupt mask level (IMASK) in SR is automatically set to the level of the accepted interrupt. When the INTMU bit in CPUOPM is set to 0, the IMASK value in SR is not affected by accepting an IRQ interrupt.

(2) Dependence on ICR0.LVLMODE Setting

For the IRQ interrupt at level detection, there are the following features according to the setting of ICR0.LVLMODE. The initial value of the ICR0 bit in LVLMODE is 0. It is recommended to set the bit to 1 before using the INTC.

(a) ICR0.LVLMODE = 0

After an IRQ interrupt request is detected at the level detection, the source is retained in INTREQ even if the pin state of IRQ interrupts is changed and the request is turned down before the request is accepted by the CPU. The source is retained until the CPU accepts an interrupt (including other interrupts), or the correspondence interrupt mask bit is set to 1.

To clear the IRQ interrupt source retained in the INTC, change the pin state of IRQ interrupts by interrupt routine and withdraw the request. Then, clear the source retained in INTREQ to 0. For details of clearing, see section 10.7.3, Clearing IRQ and IRL Interrupt Requests.

(b) ICR0.LVLMODE = 1

The INTC does not retain the IRQ interrupt source detected at the level detection.

10.4.3 IRL Interrupts

(1) Independence from ICR0.LVLMODE Setting

The IRL interrupt is an interrupt input as level from pins $\overline{\text{IRQ/IRL7}}$ to $\overline{\text{IRQ/IRL4}}$ or pins $\overline{\text{IRQ/IRL3}}$ to $\overline{\text{IRQ/IRL0}}$.

The priority level is indicated by pins $\overline{\text{IRQ/IRL7}}$ to $\overline{\text{IRQ/IRL4}}$ or pins $\overline{\text{IRQ/IRL3}}$ to $\overline{\text{IRQ/IRL0}}$. Pins $\overline{\text{IRQ/IRL7}}$ to $\overline{\text{IRQ/IRL4}}$ or pins $\overline{\text{IRQ/IRL3}}$ to $\overline{\text{IRQ/IRL0}}$ indicate the interrupt request with the highest priority (level 15) when these pins are all low. When these pins are all high, these pins indicate no interrupt requests (level 0). Figure 10.3 shows an example of IRL interrupt connection, and table 10.12 shows the correspondence between the levels on the IRL pins and interrupt priority.

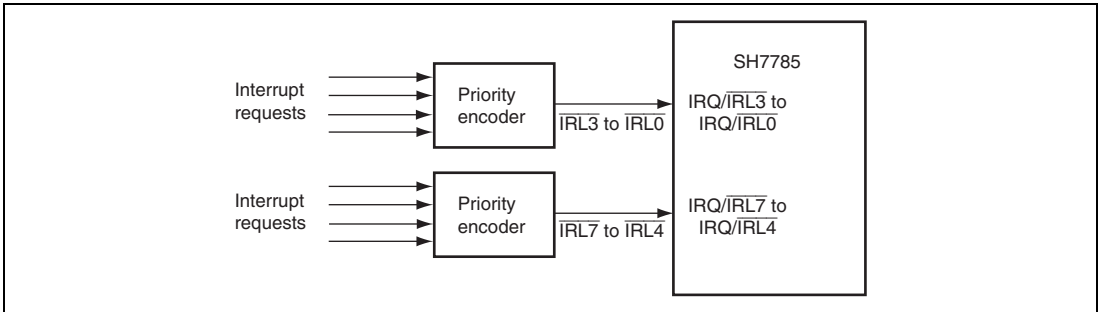


Figure 10.3 Example of IRL Interrupt Connection

Table 10.12 IRL Interrupt Pins (IRL[3:0], IRL[7:4]) and Interrupt Levels

$\overline{\text{IRL3}}$ or $\overline{\text{IRL7}}$	$\overline{\text{IRL2}}$ or $\overline{\text{IRL6}}$	$\overline{\text{IRL1}}$ or $\overline{\text{IRL5}}$	$\overline{\text{IRL0}}$ or $\overline{\text{IRL4}}$	Interrupt Priority Level	Interrupt Request
Low	Low	Low	Low	15	Level 15 interrupt request
Low	Low	Low	High	14	Level 14 interrupt request
Low	Low	High	Low	13	Level 13 interrupt request
Low	Low	High	High	12	Level 12 interrupt request
Low	High	Low	Low	11	Level 11 interrupt request
Low	High	Low	High	10	Level 10 interrupt request
Low	High	High	Low	9	Level 9 interrupt request
Low	High	High	High	8	Level 8 interrupt request
High	Low	Low	Low	7	Level 7 interrupt request
High	Low	Low	High	6	Level 6 interrupt request
High	Low	High	Low	5	Level 5 interrupt request
High	Low	High	High	4	Level 4 interrupt request
High	High	Low	Low	3	Level 3 interrupt request
High	High	Low	High	2	Level 2 interrupt request
High	High	High	Low	1	Level 1 interrupt request
High	High	High	High	0	No interrupt request

IRL interrupt detection requires an on-chip noise-cancellation feature. This detection is performed when the level sampled at every bus clock is the same for three consecutive cycles. This detection can prevent the incorrect level from being taken in when the IRL interrupt pin state changes.

The priority of IRL interrupts should be retained from when an interrupt is accepted to when interrupt handling starts. The level can be changed to a higher level.

When the INTMU bit in CPUOPM is set to 1, the interrupt mask level (IMASK) bit in SR is automatically set to the level of the accepted interrupt. When the INTMU bit in CPUOPM is cleared to 0, the IMASK bit in SR is not affected.

When 1 is written to the IRLM0 and IRLM1 bits in ICR0, pins $\overline{\text{IRQ/IRL0}}$ to $\overline{\text{IRQ/IRL3}}$ or $\overline{\text{IRQ/IRL7}}$ to $\overline{\text{IRQ/IRL4}}$ can be used for independent IRQ interrupts. For details, see section 10.4.2, IRQ Interrupts.

(2) Dependence on ICR0.LVLMODE Setting

(a) ICR0.LVLMODE = 0

After an IRL interrupt request is detected, the IRL interrupt with the highest priority is retained in the following cases until the CPU accepts an interrupt (including other interrupts). The cases are where the interrupt request is withdrawn or where the priority is set lower.

To clear the retained IRL interrupt source, change the pin state of IRL interrupts by interrupt routine and withdraw the interrupt request. The, clear the corresponding interrupt mask bit to 1 (To clear the IRL interrupt request by pins $\overline{\text{IRQ/IRL3}}$ to $\overline{\text{IRQ/IRL0}}$, write 1 to the IM10 bit in INTMSK1. To clear the IRL interrupt request by pins $\overline{\text{IRQ/IRL7}}$ to $\overline{\text{IRQ/IRL4}}$, write 1 to the IM11 bit in INTMSK1. The IRL interrupt source being detected cannot be cleared even if the masking is performed in INTMSK2 by the level.).

(b) ICR0.LVLMODE = 1

The INTC does not retain the IRL interrupt source.

10.4.4 On-Chip Peripheral Module Interrupts

On-chip module interrupts are interrupts generated in the on-chip modules.

The interrupt vectors are not allocated to each source, but the source is reflected on INTEVT. Therefore, the source can be easily identified by branching the value of INTEVT as offset during exception handling routine.

A priority ranging from 31 to 0 can be set for each module by INT2PRI0 to INT2PRI9. To notify the CPU of the priority, round down the least 1-bit and change to 4 bits. For details, see section 10.4.5, Priority of On-Chip Peripheral Module Interrupts.

An on-chip peripheral module interrupt source flag or an interrupt enable flag should be updated when the BL bit in SR is set to 1 or when the corresponding interrupt is not generated by the setting of interrupt masking occurs. To prevent the acceptance of incorrect interrupts by the updated interrupt source, read from the on-chip peripheral module register that has the corresponding flag. Then, clear the BL bit to 0 or update the interrupt masking setting so that the corresponding interrupt can be accepted, after waiting for the on-chip peripheral module priority determination time specified by table 10.14, Interrupt Response Time (for example, read from a register operating with the peripheral module clock in the INTC). These procedures can guarantee the required timing. To update multiple flag, read from the register that has the last flag after updating the flag.

If a flag is updated when the BL bit is 0, the processing may skip to interrupt processing routine with the INTEVT value cleared to 0. This is because interrupt processing starts, relative to the timing that the flag is updated and the interrupt request is identified in this LSI. The processing can be continued successfully by executing the RTE instruction.

Note that the GPIO interrupt is a low-active interrupts. Unlike the IRL interrupt and the IRQ interrupt that is detected by the level detection, the GPIO interrupt source cannot be retained by hardware if the pin state is changed and the interrupt request is withdrawn.

10.4.5 Priority of On-Chip Peripheral Module Interrupts

When any interrupt is generated, the on-chip peripheral module interrupt outputs the exception code specific to the source to SH-4A. Accepting the interrupt, Sh-4A indicates the corresponding INTEVT code in INTEVT. An interrupt handler can identify the source by reading from INTEVT in SH-4A, without reading the source indicate register in the INTC. For the correspondence between on-chip peripheral module interrupt sources and exception codes, see table 10.1.

As shown in figure 10.4, an on-chip module interrupt source can be set to 30 levels (H'00 and H'01 mask interrupt requests) by the 5-bit field. The interrupt level receive interface in SH-4A can be set to 15 levels (H'0 masks interrupt requests) by the 4-bit field. The priority of on-chip peripheral module interrupts is determined by selecting each interrupt source with 5 bits that are extended 1 bit. Then, change 4 bits that round down the least 1 bit and notifies. For example, two interrupt sources with priority levels set to H'1A and H'1B will both be output to the CPU as the 4-bit priority level H'D. The two interrupt sources have the same priority value. However, although the rounded codes are the same for both interrupt sources, the interrupt with priority level H'1B clearly has priority when we consider the 5-bit data in the priority setting. That is, the 5-bit values in the fields give INTC a way to differentiate between interrupts with the same four-bit priority level. If the interrupts of the same priority coincide, the INTEVT code is notified according to the priority shown in table 10.13.

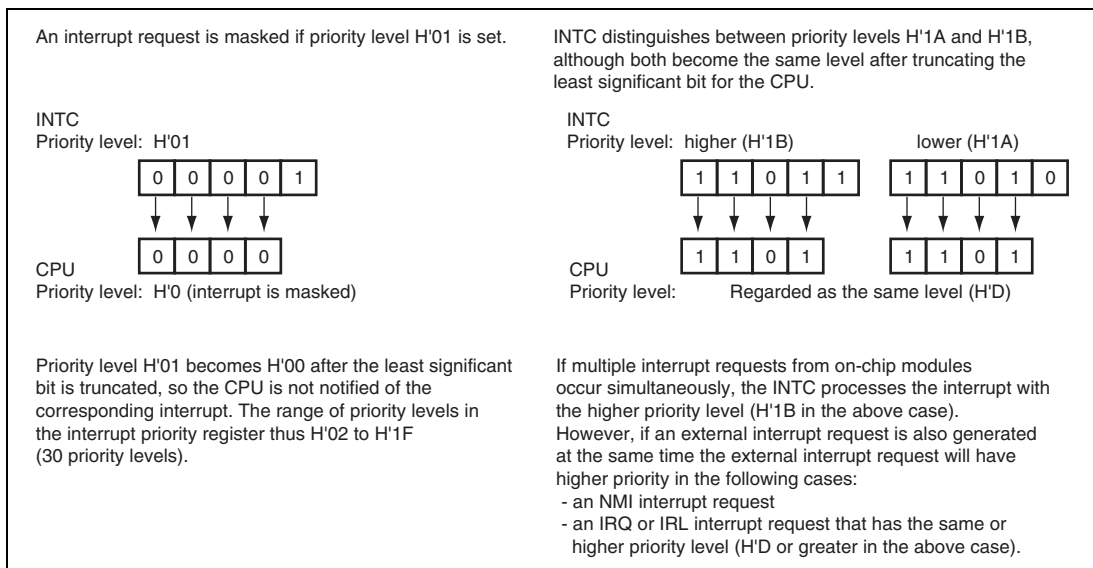


Figure 10.4 Priority of On-Chip Peripheral Module Interrupts

10.4.6 Interrupt Exception Handling and Priority

Table 10.13 shows the interrupt source, codes for INTEVT, and the order of interrupt priority.

A unique INTEVT code is allocated to each interrupt source. The start address of the exception handling routine is the same for all of the interrupt sources. Therefore, the INTEVT value is used to control branching at the start of the exception handling routine. For instance, the INTEVT values are used to branch to offsets.

The priority of the on-chip modules is arbitrarily specified by setting values from 31 to 2 in INT2PRI0 to INT2PRI7. The priority values for the on-chip modules are set to 0 by a reset.

When interrupt sources share the same priority level and are generated simultaneously, they are handled according to the default priority order given in table 10.13.

Values of INTPRI and INT2PRI0 to INT2PRI7 should only be updated when the BL bit in SR is set to 1. To prevent erroneous interrupt acceptance, only clear the BL bit to 0 after having read one of the interrupt priority level-setting registers. This guarantees the necessary timing internally.

Table 10.13 Interrupt Exception Handling and Priority

Interrupt Source	INTEVT Code	Interrupt Priority	Mask/Clear Register & Bit	Interrupt Source Register	Detail Source Register	Priority within Sets of Sources	Default Priority
NMI	—	H'1C0	16	—	—	High	High
L: Low level input	$\overline{\text{IRL}}[3:0] = \text{LLLL (H'0)}$	H'200	15	INTMSK2[31] INTMSKCLR2[31]	—	High	↑
	$\overline{\text{IRL}}[7:4] = \text{LLLL (H'0)}$	H'B00		INTMSK2[15] INTMSKCLR2[15]	—	Low	
H: High level input (See table 10.11)	$\overline{\text{IRL}}[3:0] = \text{LLH (H'1)}$	H'220	14	INTMSK2[14] INTMSKCLR2[14]	—	High	↑
	$\overline{\text{IRL}}[7:4] = \text{LLH (H'1)}$	H'B20		INTMSK2[30] INTMSKCLR2[30]	—	Low	
	$\overline{\text{IRL}}[3:0] = \text{LLHL (H'2)}$	H'240	13	INTMSK2[13] INTMSKCLR2[13]	—	High	↑
	$\overline{\text{IRL}}[7:4] = \text{LLHL (H'2)}$	H'B40		INTMSK2[29] INTMSKCLR2[29]	—	Low	
	$\overline{\text{IRL}}[3:0] = \text{LLHH (H'3)}$	H'260	12	INTMSK2[12] INTMSKCLR2[12]	—	High	↑
	$\overline{\text{IRL}}[7:4] = \text{LLHH (H'3)}$	H'B60		INTMSK2[28] INTMSKCLR2[28]	—	Low	
	$\overline{\text{IRL}}[3:0] = \text{LHLL (H'4)}$	H'280	11	INTMSK2[11] INTMSKCLR2[11]	—	High	↑
	$\overline{\text{IRL}}[7:4] = \text{LHLL (H'4)}$	H'B80		INTMSK2[27] INTMSKCLR2[27]	—	Low	
	$\overline{\text{IRL}}[3:0] = \text{LHLH (H'5)}$	H'2A0	10	INTMSK2[10] INTMSKCLR2[10]	—	High	↑
	$\overline{\text{IRL}}[7:4] = \text{LHLH (H'5)}$	H'BA0		INTMSK2[26] INTMSKCLR2[26]	—	Low	
	$\overline{\text{IRL}}[3:0] = \text{LHHL (H'6)}$	H'2C0	9	INTMSK2[9] INTMSKCLR2[9]	—	High	↑
	$\overline{\text{IRL}}[7:4] = \text{LHHL (H'6)}$	H'BC0		INTMSK2[25] INTMSKCLR2[25]	—	Low	
	$\overline{\text{IRL}}[3:0] = \text{LHHH (H'7)}$	H'2E0	8	INTMSK2[8] INTMSKCLR2[8]	—	High	↑
	$\overline{\text{IRL}}[7:4] = \text{LHHH (H'7)}$	H'BE0		INTMSK2[24] INTMSKCLR2[24]	—	Low	

Low

Interrupt Source		INTEVT Code	Interrupt Priority	Mask/Clear Register & Bit	Interrupt Source Register	Detail Source Register	Priority within Sets of Sources	Default Priority
L: Low level input	$\overline{\text{IRL}}[3:0] = \text{HLLL (H'8)}$	H'300	7	INTMSK2[7] INTMSKCLR2[7]	—	—	High	High ↑ Low
	$\overline{\text{IRL}}[7:4] = \text{HLLL (H'8)}$	H'C00		INTMSK2[23] INTMSKCLR2[23]	—	—	Low	
H: High level input (See table 10.11)	$\overline{\text{IRL}}[3:0] = \text{HLLH (H'9)}$	H'320	6	INTMSK2[6] INTMSKCLR2[6]	—	—	High	
	$\overline{\text{IRL}}[7:4] = \text{HLLH (H'9)}$	H'C20		INTMSK2[22] INTMSKCLR2[22]	—	—	Low	
	$\overline{\text{IRL}}[3:0] = \text{HLHL (H'A)}$	H'340	5	INTMSK2[5] INTMSKCLR2[5]	—	—	High	
	$\overline{\text{IRL}}[7:4] = \text{HLHL (H'A)}$	H'C40		INTMSK2[21] INTMSKCLR2[21]	—	—	Low	
	$\overline{\text{IRL}}[3:0] = \text{HLHH (H'B)}$	H'360	4	INTMSK2[4] INTMSKCLR2[4]	—	—	High	
	$\overline{\text{IRL}}[7:4] = \text{HLHH (H'B)}$	H'C60		INTMSK2[20] INTMSKCLR2[20]	—	—	Low	
	$\overline{\text{IRL}}[3:0] = \text{HLLL (H'C)}$	H'380	3	INTMSK2[3] INTMSKCLR2[3]	—	—	High	
	$\overline{\text{IRL}}[7:4] = \text{HLLL (H'C)}$	H'C80		INTMSK2[19] INTMSKCLR2[19]	—	—	Low	
	$\overline{\text{IRL}}[3:0] = \text{HHLH (H'D)}$	H'3A0	2	INTMSK2[2] INTMSKCLR2[2]	—	—	High	
	$\overline{\text{IRL}}[7:4] = \text{HHLH (H'D)}$	H'CA0		INTMSK2[18] INTMSKCLR2[18]	—	—	Low	
	$\overline{\text{IRL}}[3:0] = \text{HHHL (H'E)}$	H'3C0	1	INTMSK2[1] INTMSKCLR2[1]	—	—	High	
	$\overline{\text{IRL}}[7:4] = \text{HHHL (H'E)}$	H'CC0		INTMSK2[17] INTMSKCLR2[17]	—	—	Low	

Interrupt Source		INTEVT Code	Interrupt Priority	Mask/Clear Register & Bit	Interrupt Source Register	Detail Source Register	Priority within Sets of Sources	Default Priority
IRQ	IRQ[0]	H'240	INTPRI [31:28]	INTMSK0[31] INTMSKCLR0 [31]	INTREQ [31]	—		High ↑
	IRQ[1]	H'280	INTPRI [27:24]	INTMSK0[30] INTMSKCLR0 [30]	INTREQ [30]	—		
	IRQ[2]	H'2C0	INTPRI [23:20]	INTMSK0[29] INTMSKCLR0 [29]	INTREQ [29]	—		
	IRQ[3]	H'300	INTPRI [19:16]	INTMSK0[28] INTMSKCLR0 [28]	INTREQ [28]	—		
	IRQ[4]	H'340	INTPRI [15:12]	INTMSK0[27] INTMSKCLR0 [27]	INTREQ [27]	—		
	IRQ[5]	H'380	INTPRI [11:8]	INTMSK0[26] INTMSKCLR0 [26]	INTREQ [26]	—		
	IRQ[6]	H'3C0	INTPRI [7:4]	INTMSK0[25] INTMSKCLR0 [25]	INTREQ [25]	—		
	IRQ[7]	H'200	INTPRI [3:0]	INTMSK0[24] INTMSKCLR0 [24]	INTREQ [24]	—		
WDT	ITI*	H'560	INT2PRI3 [12:8]	INT2MSKR[8] INT2MSKCLR[8]	INT2A0[8] INT2A1[8]	—		
TMU-ch0	TUNI0*	H'580	INT2PRI0 [28:24]	INT2MSKR[0] INT2MSKCLR [0]	INT2A0[0] INT2A1[0]	INT2B0[0]		
TMU-ch1	TUNI1*	H'5A0	INT2PRI0 [20:16]			INT2B0[1]		
TMU-ch2	TUNI2*	H'5C0	INT2PRI0 [12:8]			INT2B0[2]		
	TICPI2*	H'5E0	INT2PRI0 [4:0]			INT2B0[3]		
H-UDI	H-UDII	H'600	INT2PRI4 [28:24]	INT2MSKR[9] INT2MSKCLR [9]	INT2A0[9] INT2A1[9]	—		Low

Interrupt Source		INTEVT Code	Interrupt Priority	Mask/Clear Register & Bit	Interrupt Source Register	Detail Source Register	Priority within Sets of Sources	Default Priority
DMAC(0)	DMINT0*	H'620	INT2PRI4 [20:16]	INT2MSKR[10] INT2MSKCLR [10]	INT2A0[10]	INT2B3[0]	High ↑ Low	High ↑ Low
	DMINT1*	H'640			INT2A1[10]	INT2B3[1]		
	DMINT2*	H'660			INT2B3[2]			
	DMINT3*	H'680			INT2B3[3]			
	DMINT4*	H'6A0			INT2B3[4]			
	DMINT5*	H'6C0			INT2B3[5]			
	DMAE (ch0 to ch5)*	H'6E0			INT2B3[6]			
SCIF-ch0	ERI0*	H'700	INT2PRI2 [28:24]	INT2MSKR[2] INT2MSKCLR[2]	INT2A0[2]	INT2B2[0]	High ↑ Low	High ↑ Low
	RX10*	H'720			INT2A1[2]	INT2B2[1]		
	BRI0*	H'740			INT2B2[2]			
	TX10*	H'760			INT2B2[3]			
SCIF-ch1	ERI1*	H'780	INT2PRI2 [20:16]	INT2MSKR[3] INT2MSKCLR[3]	INT2A0[3]	INT2B3[4]	High ↑ Low	High ↑ Low
	RX11*	H'7A0			INT2A1[3]	INT2B3[5]		
	BRI1*	H'7C0			INT2B3[6]			
	TX11*	H'7E0			INT2B3[7]			
DMAC(1)	DMINT6*	H'880	INT2PRI4 [12:8]	INT2MSKR[11] INT2MSKCLR [11]	INT2A0[11]	INT2B2[7]	High ↑ Low	High ↑ Low
	DMINT7*	H'8A0			INT2A1[11]	INT2B2[8]		
	DMINT8*	H'8C0			INT2B2[9]			
	DMINT9*	H'8E0			INT2B2[10]			
	DMINT10*	H'900			INT2B3[11]			
	DMINT11*	H'920			INT2B3[12]			
	DMAE (ch6 to ch11)*	H'940			INT2B3[13]			
HSPI	SPII	H'960	INT2PRI7 [20:16]	INT2MSKR[21] INT2MSKCLR [21]	INT2A0[21] INT2A1[21]	—	Low	Low

10. Interrupt Controller (INTC)

Interrupt Source		INTEVT Code	Interrupt Priority	Mask/Clear Register & Bit	Interrupt Source Register	Detail Source Register	Priority within Sets of Sources	Default Priority
SCIF-ch2	ERI2*	H'980	INT2PRI2 [12:8]	INT2MSKR[4] INT2MSKCLR[4]	INT2A0[4] INT2A1[4]	INT2B1[8]	↑	High
	RX12*					INT2B1[9]		
	BRI2*					INT2B1[10]		
	TX12*					INT2B1[11]		
SCIF-ch3	ERI3*	H'9A0	INT2PRI2 [4:0]	INT2MSKR[5] INT2MSKCLR[5]	INT2A0[5] INT2A1[5]	INT2B1[12]	↑	High
	RX13*					INT2B1[12]		
	BRI3*					INT2B1[14]		
	TX13*					INT2B1[15]		
SCIF-ch4	ERI4*	H'9C0	INT2PRI3 [28:24]	INT2MSKR[6] INT2MSKCLR[6]	INT2A0[6] INT2A1[6]	INT2B1[16]	↑	High
	RX14*					INT2B1[17]		
	BRI4*					INT2B1[18]		
	TX14*					INT2B1[19]		
SCIF-ch5	ERI5*	H'9E0	INT2PRI2 [20:16]	INT2MSKR[7] INT2MSKCLR[7]	INT2A0[7] INT2A1[7]	INT2B1[20]	↑	High
	RX15*					INT2B1[21]		
	BRI5*					INT2B1[22]		
	TX15*					INT2B1[23]		
PCIC(0)	PCISERR	H'A00	INT2PRI5 [12:8]	INT2MSKR[14] INT2MSKCLR [14]	INT2A0[14] INT2A1[14]	INT2B3[0]	↑	Low
PCIC(1)	PCIINTA	H'A20	INT2PRI5 [4:0]	INT2MSKR[15] INT2MSKCLR [15]	INT2A0[15] INT2A1[15]	INT2B3[1]		
PCIC(2)	PCIINTB	H'A40	INT2PRI6 [28:24]	INT2MSKR[16] INT2MSKCLR [16]	INT2A0[16] INT2A1[16]	INT2B3[2]		
PCIC(3)	PCIINTC	H'A60	INT2PRI6 [20:16]	INT2MSKR[17] INT2MSKCLR [17]	INT2A0[17] INT2A1[17]	INT2B3[3]		
PCIC(4)	PCIINTD	H'A80	INT2PRI6 [12:8]	INT2MSKR[18] INT2MSKCLR [18]	INT2A0[18] INT2A1[18]	INT2B3[4]		

Interrupt Source		INTEVT Code	Interrupt Priority	Mask/Clear Register & Bit	Interrupt Source Register	Detail Source Register	Priority within Sets of Sources	Default Priority
PCIC(5)	PCIERR	H'AA0	INT2PRI6	INT2MSKR[19]	INT2A0[19]	INT2B4[5]	High	High
	PCIPWD3	H'AC0	[4:0]	INT2MSKCLR	INT2A1[19]	INT2B4[6]	↑	
	PCIPWD2	H'AC0		[19]		INT2B4[7]		
	PCIPWD1	H'AC0				INT2B4[8]		
	PCIPWD0	H'AE0				INT2B4[9]	Low	
SIOF	SIOFI	H'CE0	INT2PRI6 [28:24]	INT2MSKR[20] INT2MSKCLR[20]	INT2A0[20] INT2A1[20]	—		
MMCIF	FSTAT	H'D00	INT2PRI6	INT2MSKR[22]	INT2A0[22]	INT2B4[0]	High	High
	TRAN	H'D20	[12:8]	INT2MSKCLR	INT2A1[22]	INT2B4[1]	↑	
	ERR	H'D40		[22]		INT2B4[2]		
	FRDY	H'D60				INT2B4[3]	Low	
DU	DUI	H'D80	INT2PRI9 [28:24]	INT2MSKR[27] INT2MSKCLR	INT2A0[27] INT2A1[27]			
GDTA	GACLI	H'DA0	INT2PRI9	INT2MSKR[28]	INT2A0[28]	INT2B7[0]	High	High
	GAMCI	H'DC0	[20:16]	INT2MSKCLR	INT2A1[28]	INT2B7[1]	↑	
	GAERI	H'DE0		[28]		INT2B7[2]	Low	
TMU-ch3	TUNI3*	H'E00	INT2PRI1 [28:24]	INT2MSKR[1] INT2MSKCLR[1]	INT2A0[1] INT2A1[1]	INT2B0[4]		
TMU-ch4	TUNI4*	H'E20	INT2PRI1 [20:16]			INT2B0[5]		
TMU-ch5	TUNI5*	H'E40	INT2PRI1 [12:8]			INT2B0[6]		
SSI-ch0	SSI0	H'E80	INT2PRI8 [12:8]	INT2MSKR[25] INT2MSKCLR	INT2A0[25] INT2A1[25]	—		
SSI-ch1	SSI1	H'EA0	INT2PRI6 [4:0]	INT2MSKR[26] INT2MSKCLR	INT2A0[26] INT2A1[26]	—		
HAC-ch0	HACI0	H'EC0	INT2PRI6 [28:24]	INT2MSKR[12] INT2MSKCLR	INT2A0[12] INT2A1[12]	—		Low

Interrupt Source		INTEVT Code	Interrupt Priority	Mask/Clear Register & Bit	Interrupt Source Register	Detail Source Register	Priority within Sets of Sources	Default Priority
HAC-ch1	HAC11	H'EE0	INT2PRI6 [20:16]	INT2MSKR[13] INT2MSKCLR [13]	INT2A0[13] INT2A1[13]	—		High
FLCTL	FLSTE*	H'F00	INT2PRI8 [28:24]	INT2MSKR[23] INT2MSKCR[23]	INT2A0[23] INT2A1[23]	INT2B5[0]	High	↑
	FLTEND*	H'F20				INT2B5[1]		
	FLTRQ0*	H'F40				INT2B5[2]		
	FLTRQ1*	H'F60				INT2B5[3]	Low	
GPIO	GPIOI0 (Port E0)	H'F80	INT2PRI8 [20:16]	INT2MSKR[24] INT2MSKCR[24]	INT2A0[24] INT2A1[24]	INT2B6[0]	High	↑
	GPIOI0 (Port E1)					INT2B6[1]		
	GPIOI0 (Port E2)					INT2B6[2]		
	GPIOI1 (Port E3)	H'FA0				INT2B6[8]		
	GPIOI1 (Port E4)		INT2B6[9]					
	GPIOI1 (Port E5)		INT2B6[10]					
	GPIOI2 (Port H1)	H'FC0				INT2B6[16]		
	GPIOI2 (Port H2)		INT2B6[17]					
	GPIOI2 (Port H3)		INT2B6[18]					
	GPIOI2 (Port H4)		INT2B6[19]					
	GPIOI3 (Port L6)	H'FE0				INT2B6[24]		
	GPIOI3 (Port L7)		INT2B6[25]	Low	Low			

Note: * ITI: Interval timer interrupt

TUNI0 to TUNI5: TMU channels 0 to 5 under flow interrupt

TICPI2: TMU channel 2 input capture interrupt

DMINT0 to DMINT11: Transfer end or half-end interrupts for DMAC channel 0 to 11

DMAE0: DMAC address error interrupt (channels 0 to 5)

DMAE1: DMAC address error interrupt (channels 6 to 11)

ERI0, ERI1, ERI2, ERI3, ERI4, ERI5: SCIF channels 0 to 5 receive error interrupts

RXI0, RXI1, RXI2, RXI3, RXI4, RXI5: SCIF channels 0 to 5 receive data full interrupts

BRI0, BRI1, BRI2, BRI3, BRI4, BRI5: SCIF channels 0 to 5 break interrupts

TXI0, TXI1, TXI2, TXI3, TXI4, TXI5: SCIF channels 0 to 5 transmission data empty interrupts

FLSTE: FLCTL error interrupt

FLTEND: FLCTL error interrupt

FLTRQ0: FLCTL data FIFO transfer request interrupt

FLTRQ1: FLCTL control code FIFO transfer request interrupt

10.5 Operation

10.5.1 Interrupt Sequence

The sequence of interrupt operations is described below. Figure 10.4 shows a flowchart of the operations.

1. Interrupt request sources send interrupt request signals to the INTC.
2. The INTC selects the interrupt with the highest priority among the interrupts that have been sent, according to the priority set in INTPRI and INT2PRI0 to INT2PRI9. Lower priority interrupts are held as pending interrupts. If two of the interrupts have the same priority level or multiple interrupts are generated by a single module, the interrupt with the highest priority is selected according to table 10.13.
3. The priority level of the interrupt selected by the INTC is compared with the interrupt mask level (IMASK) set in SR of the CPU. Only the interrupt with a higher priority than the IMASK bit is accepted, and an interrupt request signal is sent to the CPU.
4. The CPU accepts an interrupt at the next break between instructions.
5. The interrupt source code is set in the interrupt event register (INTEVT).
6. The SR and program counter (PC) are saved in SSR and SPC, respectively. At that time, R15 is saved in SGR.
7. The BL, MD, and RB bits in SR are set to 1.
8. Execution jumps to the start address of the interrupt exception handling routine (the sum of the value set in the vector base register (VBR) and H'0000 0600).

In the exception handling routine, the value of INTEVT is branched as an offset. This easily enables to branch the exception handling routine to handling routine for each interrupt source.

- Notes:
1. When the INTMU bit in CPUOPM is set to 1, the interrupt mask level (IMASK) in SR is automatically set to the level of the accepted interrupt. When the INTMU bit in CPUOPM is cleared to 0, the value of the IMASK in SR is not affected by the accepted interrupt.
 2. The interrupt source flag should be cleared during exception handling routine. To ensure that an interrupt source which should have been cleared is not erroneously accepted again, read the interrupt source flag after it has been cleared, and wait for the time shown in table 10.14. Then, clear the BL bit or execute an RTE instruction.
 3. The IRQ interrupts, IRL interrupts, on-chip peripheral module interrupts are initialized to the interrupt masking state by a power-on reset. Therefore, clear the interrupt masking for each interrupt, INTMSK0, INTMSK1, and INT2MSKR by using INTMSKCLR0, INTMSKCLR1, and INT2MSKCLR.

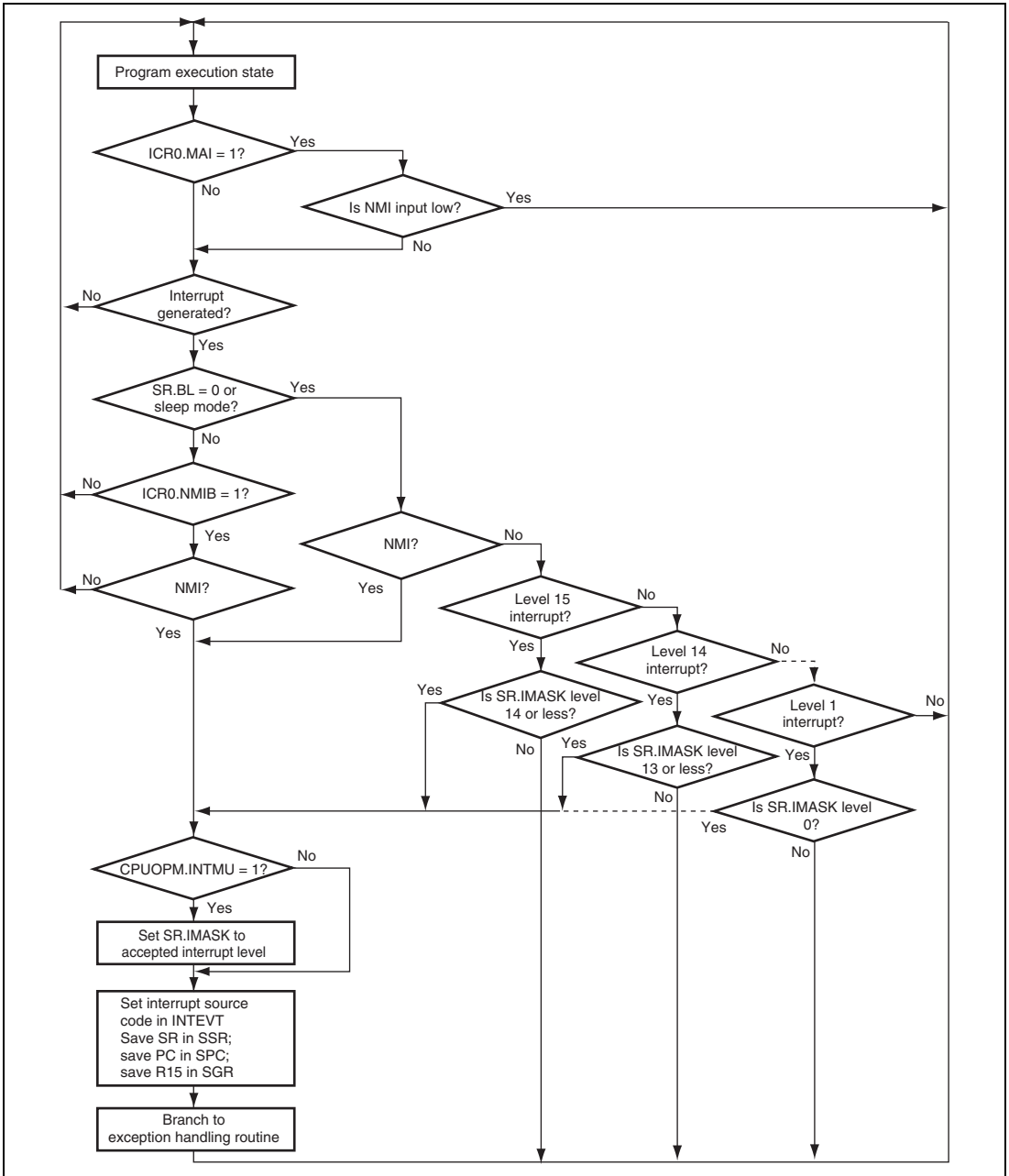


Figure 10.5 Flowchart of Interrupt Operation

10.5.2 Multiple Interrupts

To handle multiple interrupts, the procedure for the interrupt handling routine should be as follows.

1. To identify the interrupt source, set the value of INTEVT to an offset and branch it to the interrupt handling routine for each interrupt source.
2. Clear the corresponding interrupt source in the interrupt handling routine.
3. Save SSR and SPC on the stack.
4. Clear the BL bit in SR. When the INTMU bit in CPUOPM is set to 1, the interrupt mask level (IMASK) in SR is automatically set to the level of the accepted interrupt. When the INTMU bit in CPUOPM is cleared to 0, software should be used to set the IMASK bit in SR to the priority level of the accepted interrupt.
5. Execute processing as required in response to the interrupt.
6. Set the BL bit in SR to 1.
7. Release SSR and SPC from the stack.
8. Execute the RTE instruction.

By following the above procedure, if further interrupts are generated right after step 4, an interrupt with higher priority than the one currently being handled can be accepted after step 4. This reduces the interrupt response time for urgent processing.

10.5.3 Interrupt Masking by MAI Bit

When the MAI bit in ICR0 is set to 1, interrupts can be masked while the NMI pin is low regardless of the settings of the BL and IMASK bits in SR.

- Normal operation or sleep mode

All other interrupts are masked while the NMI signal is low. Note that only NMI interrupts due to the change of the NMI pin are generated.

10.6 Interrupt Response Time

Table 10.14 shows response time. The response time is the interval from generation of an interrupt request until the start of interrupt exception handling and until fetching of the first instruction of the exception handling routine.

Table 10.14 Interrupt Response Time

Item	Number of States					Remarks
	NMI	IRL	IRQ	Peripheral Modules		
				Other than GPIO/PCIC	GPIO/PCIC	
Priority determination time	6Bcyc + 2Pcyc	8Bcyc + 2Pcyc	4Bcyc + 2Pcyc	5Pcyc	7Pcyc	
Wait time until the CPU finishes the current sequence			S-1 (≥ 0) × lcy			
Interval from the start of interrupt exception handling (saving SR and PC) until a SuperHyway bus request is issued to fetch the first instruction of the exception handling routine			11lcy + 1Scyc			
Response Total time	(S + 10) lcy + 1Scyc + 5Bcyc + 2Pcyc	(S + 10) lcy + 1Scyc + 8Bcyc + 2Pcyc	(S + 10) lcy + 1Scyc + 4Bcyc + 2Pcyc	(S + 10) lcy + 1Scyc + 5Pcyc	(S + 10) lcy + 1Scyc + 7Pcyc	

Legend:

- lcy: Period of one CPU clock cycle
- Scyc: Period of one SuperHyway clock cycle
- Bcyc: Period of one bus clock cycle
- Pcyc: Period of one peripheral clock cycle
- S: Number of instruction execution states

Table 10.15 shows response time. The response time is from the interrupt exception handling to the start of fetching the first instruction in exception handling routine. In this case, suppose that the setting values of the following registers that enable or disable interrupt, INTMSK0, INTMSK1, INTMSK2, INT2MSKR, and INT2GPIC, are changed from the interrupt disable state to the interrupt enable state.

Table 10.15 Response Time after Changing the Value of Interrupt Enable/Disable Registers (Interrupt Disabled → Interrupt Enabled)

Item	Number of States				Peripheral Modules INT2MSKR, INT2GPIC Registers that enable/disable interrupts	Remarks
	IRL		IRQ			
	INTMSK1	INTMSK2	INTMSK0			
Priority determination time*	1Pcyc	8Bcyc + 2Pcyc	1Pcyc	4Pcyc		
Wait time until the CPU finishes the current sequence	S-1 (≥ 0) \times lcyc					
Interval from the start of interrupt exception handling (saving SR and PC) until a SuperHyway bus request is issued to fetch the first instruction of the exception handling routine	11lcyc + 1Scyc					
Response time	Total	(S + 10) lcyc + 1Scyc + 1Pcyc	(S + 10) lcyc + 1Scyc + 8Bcyc + 2Pcyc	(S + 10) lcyc + 1Scyc + 1Pcyc	(S + 10) lcyc + 1Scyc + 4Pcyc	

Legend:

lcyc: Period of one CPU clock cycle

Scyc: Period of one SuperHyway clock cycle

Bcyc: Period of one bus clock cycle

Pcyc: Period of one peripheral clock cycle

S: Number of instruction execution states

Note: * When INTMSKCLR0, INTMSKCLR1, INTMSKCLR2, and INT2MSKCLR are written to, INTMSK0, INTMSK1, INTMSK2, and INTMSKR enable an interrupt by clearing the mask bits in INTMSK0, INTMSK1, INTMSK2, and INTMSKR. The priority determination times in table 10.15 are the values after the values of INTMSK0, INTMSK1, INTMSK2, and INT2MSKR are changed.

Table 10.16 shows response time. The response time is the time until when the interrupt request signal from the INTC to the CPU is negated. In this case, suppose that the setting values of the following registers, INTMSK0, INTMSK1, INTMSK2, INT2MSKR, and INT2GPIC, are changed from the interrupt enable state to the interrupt disable state.

Table 10.16 Response Time after Changing the Value of Interrupt Enable/Disable Registers (Interrupt Enabled → Interrupt Disabled)

	Number of States				Remarks
	IRL		IRQ		
Item	INTMSK1	INTMSK2	INTMSK0	INT2MSKR, INT2GPIC	Registers that enable/disable interrupts
Priority determination time	1Pcyc	8Bcyc + 2Pcyc*	1Pcyc	4Pcyc	

Note: * The IRL interrupt source that has been already retained inside cannot cancel the interrupt request signal to the CPU even if the IRL interrupt source is masked.

10.7 Usage Notes

10.7.1 Example of Handing Routine of IRL Interrupts and Level Detection IRQ Interrupts when ICR0.LVLMODE = 0

When ICR0.LVLMODE is 0, IRL interrupt requests and level detection IRQ interrupt requests that the INTC retains should be cleared in the interrupt handling routine because the CPU detects after accepting interrupts. The IRQ interrupt sources (INTREQ) should also be cleared.

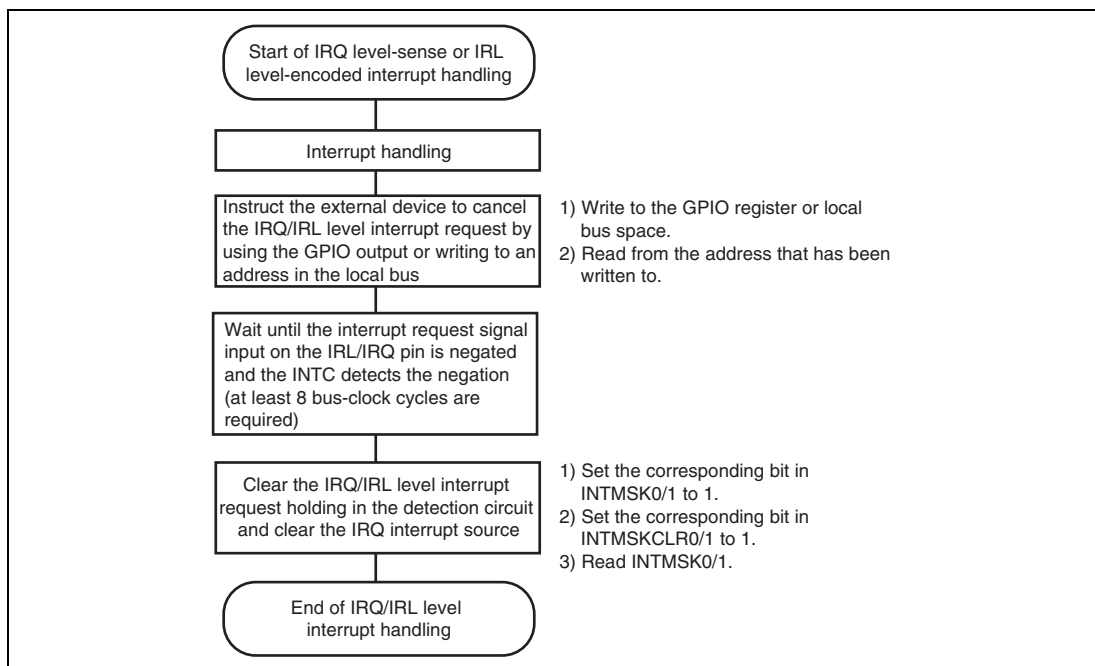


Figure 10.6 Example of Interrupt Handling Routine

Canceling the IRL interrupt request and level detection IRQ interrupt request that the CPU accepts should be notified to the external device in the interrupt handling routine. For example, output the data that can identify the accepted level and pins to the GPIO pin, or read the specific address. In this case, write to the GPIO register and the local bus space, and read the same address continuously.

To clear an interrupt request that is retained in the INTC, the wait time that the CPU detects the cleared interrupt request is required. To guarantee the wait time, write to INTMSK0, INTMSK1, INTMSKCLR0, and INTMSKCLR1, and read from INTMSK0 continuously.

10.7.2 Notes on Setting $\overline{\text{IRQ/IRL}}[7:0]$ Pin Function

When the $\overline{\text{IRQ/IRL}}[7:0]$ pin functions are switched, the INTC may retain an incorrectly detected interrupt request. Therefore, mask the IRL and IRQ interrupt requests before switching the $\overline{\text{IRQ/IRL}}[7:0]$ pin functions.

Table 10.17 Switching Sequence of $\overline{\text{IRQ/IRL}}[7:0]$ Pin Function

Sequence	Item	Procedure
1	IRL interrupt request and IRQ interrupt request masking	Write 1 to all bits in INTMSK0 and INTMSK1 except reserved bits
2	Setting $\overline{\text{IRL/IRQ}}[7:4]$ pins to IRL7 to IRL4	Write 0 to the PMSEL14 bit in PMSELR Write 0 to the PL4MD1, PL4MD0, PL3MD1, PL3MD0, PL2MD1, PL2MD0, PL1MD1, PL1MD0 bits in PLCR
3	Setting $\overline{\text{IRQ/IRL}}[7:0]$ pins to IRL or IRQ	Set bits IRLM1 to IRLM0 in ICR0
4	Start of IRL and IRQ interrupt detection	Write 1 to the corresponding bit in INTMSKCLR0 and INTMSKCLR1

10.7.3 Clearing IRQ and IRL Interrupt Requests

To clear the interrupt request retained in the INTC, follow the procedure below.

(1) Clearing Interrupt Request Independent from ICR0.LVLMODE Setting

— Clearing IRQ interrupt requests at edge detection

To clear the interrupt requests IRQ7 to IRQ0 setting edge detection, read the IR7 to IR0 bits corresponding to INTREQ as 1 and write 0 to the bits. The IRQ interrupt request being detected cannot be cleared even if 1 is written to the corresponding bit in INTMSK0.

(2) Clearing Interrupt Request Dependent on ICR0.LVLMODE Setting

(a) ICR0.LVLMODE = 0

— Clearing IRL interrupt requests

To clear the IRL interrupt requests from the $\overline{\text{IRQ/IRL}}[3:0]$ pins, write 1 to the IM10 bit in INTMSK1. To clear the IRL interrupt requests from the $\overline{\text{IRQ/IRL}}[7:4]$ pins, write 1 to the IM11 bit in INTMSK1. The IRL interrupt request being detected cannot be cleared even if masking is performed on INTMSK2 by the level.

— Clearing IRQ interrupt requests at level detection

To clear the IRQ7 to IRQ0 interrupt request setting level detection, write 1 to the corresponding IM07 to IM00 bits in INTMSK0. The IRQ interrupt request being detected cannot be cleared even if 0 is written to the corresponding bit in INTPRI. The IRQ interrupt request being detected can be checked by reading from INTREQ.

(b) ICR0.LVLMODE = 1

The INTC does not retain the interrupt source even if IRQ interrupts are detected at level detection or IRL interrupt requests are detected.

Section 11 Local Bus State Controller (LBSC)

The local bus state controller (LBSC) divides the external memory space and outputs control signals according to the specification of each memory and bus interface. The LBSC function enables connection of the SRAM or ROM, etc. to this LSI. The LBSC also supports the PCMCIA interface protocol, which implements simple system design and high-speed data transfers in a compact system.

11.1 Features

The LBSC has the following features.

- Manages areas 0 to 6 of the external memory space divided into seven
 - Maximum 64 Mbytes for each of areas 0 to 6
 - Bus width of each area can be set by a register (Only the area-0 bus width is set by an external pin.)
 - Wait cycle insertion by the $\overline{\text{RDY}}$ pin
 - Wait cycle insertion can be controlled by a program
 - Type of memory to be connected is specifiable for each area
 - Control signals are output for memory connected to each area
 - Automatic wait cycle insertion to prevent data bus collision in consecutive memory accesses
 - The write strobe setup and hold time periods can be inserted in a write cycle to connect to low-speed memory
- SRAM interface
 - Wait cycle insertion can be controlled by a program
 - Connectable area: 0 to 6
 - Settable bus width: 64, 32, 16 and 8 bits
- Burst ROM interface
 - Wait cycle insertion can be controlled by a program
 - Burst transfers for the number of times specified by the register
 - Connectable area: 0 to 6
 - Settable bus width: 64, 32, 16 and 8 bits

- MPX interface
 - Address/data multiplexing
 - Connectable area: 0 to 6
 - Settable bus width: 64 and 32 bits
- Byte control SRAM interface
 - SRAM interface with byte control
 - Connectable area: 1 and 4
 - Settable bus width: 64, 32 and 16 bits
- PCMCIA interface (Little endian only)
 - Wait cycle insertion can be controlled by a program
 - Bus sizing function for I/O bus width
 - Supports the little endian
 - Connectable area: 5 and 6
 - Settable bus width: 16 and 8 bits
 - Prepared only for ATA device accesses

Figure 11.1 shows a block diagram of the LBSC.

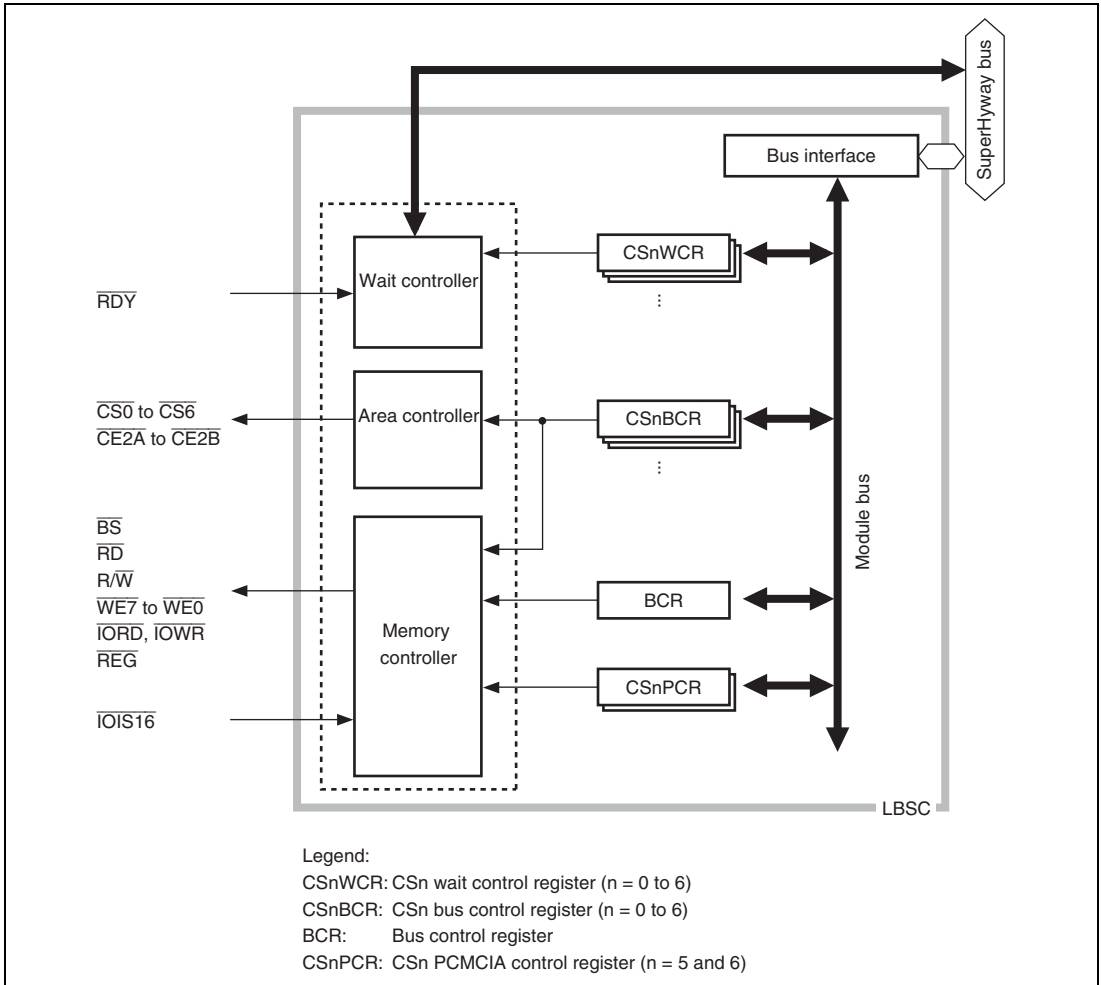


Figure 11.1 Block Diagram of LBSC

11.2 Input/Output Pins

Table 11.1 shows the LBSC pin configuration.

Table 11.1 Pin Configuration

Pin Name	Function	I/O	Description
A25 to A0	Address Bus	O	Address output
D63 to D0	Data Bus	I/O	Data input/output These pins are multiplexed as follows: D63 to D56: PCI, DU and ports A7 to A0 (GPIO input/output) D55 to D48: PCI, DU and ports B7 to B0 (GPIO input/output) D47 to D40: PCI, DU and ports C7 to C0 (GPIO input/output) D39 to D32: PCI, DU and ports D7 to D0 (GPIO input/output) D31 to D24: ports F7 to F0 (GPIO input/output) D23 to D16: ports G7 to G0 (GPIO input/output)
\overline{BS}	Bus Cycle Start	O	Signal that indicates the start of a bus cycle Asserted once for a burst transfer when the MPX interface is set Asserted in every data cycle in other burst transfers
$\overline{CS6}$ to $\overline{CS0}$	Chip Select 6 to 0	O	Chip select signals that indicates the area being accessed. $\overline{CS5}$ and $\overline{CS6}$ can also be used as $\overline{CE1A}$ and $\overline{CE1B}$ of the PCMCIA respectively.
$\overline{R/W}$	Read/Write	O	Data bus input/output direction designation signal. Also used as the PCMCIA interface write designation signal
$\overline{RD/FRAME}$	Read/Cycle Frame	O	Strobe signal indicating a read cycle. Used for \overline{FRAME} signal when the MPX bus is used

Pin Name	Function	I/O	Description
$\overline{WE0}/\overline{REG}$	Data Enable 0	O	Write strobe signal for D7 to D0 in SRAM interface setting \overline{REG} signal in PCMCIA interface setting
$\overline{WE1}$	Data Enable 1	O	Write strobe signal for D15 to D8 in SRAM interface setting Write strobe signal in PCMCIA interface setting
$\overline{WE2}/\overline{IORD}$	Data Enable 2	O	Write strobe signal for D23 to D16 in SRAM interface setting \overline{IORD} signal in PCMCIA interface setting
$\overline{WE3}/\overline{IOWR}$	Data Enable 3	O	Write strobe signal for D31 to D24 in SRAM interface setting \overline{IOWR} signal in PCMCIA interface setting
$\overline{WE4}$	Data Enable 4	O	Write strobe signal for D39 to D32 in SRAM interface setting Multiplexed with PCI/Port R0 (GPIO input/output).
$\overline{WE5}$	Data Enable 5	O	Write strobe signal for D47 to D40 in SRAM interface setting Multiplexed with PCI/Port R1 (GPIO input/output).
$\overline{WE6}$	Data Enable 6	O	Write strobe signal for D55 to D48 in SRAM interface setting Multiplexed with PCI/Port R2 (GPIO input/output).
$\overline{WE7}$	Data Enable 7	O	Write strobe signal for D63 to D56 in SRAM interface setting Multiplexed with PCI/Port R3 (GPIO input/output).
\overline{RDY}	Ready	I	Wait cycle request signal
$\overline{IOIS16}$	16-Bit I/O	I	16-bit I/O designation signal in PCMCIA interface setting Valid only in little endian mode Multiplexed with MODE13, TCLK (TMU input/output), and Port J0 (GPIO input/output)
\overline{BREQ}	Bus Release Request	I	Bus release request signal Multiplexed with Port M1 (GPIO input/output).

Pin Name	Function	I/O	Description
BACK	Bus Request Acknowledge	O	Bus request acknowledge signal Multiplexed with Port M0 (GPIO input/output).
CE2A* ¹ , CE2B* ²	PCMCIA Card Select	O	CE2A, CE2B in PCMCIA interface setting Only valid in little endian mode CE2A: Multiplexed with DACK2 (DMAC output), Port L5 (GPIO input/output) CE2B: Multiplexed with MODE12, DACK3 (DMAC output) and Port L0 (GPIO input/output)
MODE5, MODE6, MODE7	Bus Width and Memory Type for Area 0	I	Signals for setting area 0 bus width (MODE5, MODE6) and MPX interface (MODE7: high level selects SRAM and low level selects MPX) at a power-on reset by the PRESET pin MODE5: Multiplexed with SIOF_MCLK (SIOF input) MODE6: Multiplexed with SIOF_SYNC (SIOF input/output) MODE7: Multiplexed with SCIF3_RXD (SCIF input) and FALE (FLCTL output)
MODE8	Endian Switching	I	Signal for setting endian at a power-on reset by the PRESET pin Multiplexed with SCIF3_SCK (SCIF input/output), FD0 (FLCTL input/output) and Port N3 (GPIO output)
MODE9	Master/Slave Switching	I	Signal indicating master/slave at a power-on reset by the PRESET pin Multiplexed with SCIF4_TXD (SCIF output), FD1 (FLCTL input/output) and Port N2 (GPIO output).

Pin Name	Function	I/O	Description
MODE11, MODE12	Bus Mode Switching	I	<p>Signals for switching buses: local bus, PCI bus or DU bus</p> <p>Bus modes for D63 to D32 and $\overline{WE7}$ to $\overline{WE4}$ are switched at a power-on reset by the \overline{PRESET} pin</p> <p>MODE11: Multiplexed with SCIF4_SCK (SCIF input/output), FD3 (FLCTL input/output), Port N0 (GPIO output)</p> <p>MODE12: Multiplexed with $\overline{DACK3}$ (DMAC0 output), $\overline{CE2B}$ (LBSC output), Port L0 (GPIO output)</p>
$\overline{DACK0}^{*3}$	DMAC0 Acknowledge Signal	O	Data acknowledge in DMAC channel 0 Multiplexed with Port K1 (GPIO input/output)
$\overline{DACK1}^{*3}$	DMAC1 Acknowledge Signal	O	Data acknowledge in DMAC channel 1 Multiplexed with Port K0 (GPIO input/output)
$\overline{DACK2}^{*3}$	DMAC2 Acknowledge Signal	O	Data acknowledge in DMAC channel 2 Multiplexed with SCIF2_TXD (SCIF output), MMCCMD (MMCIF input/output), SIOF_TXD (SIOF output) and Port K5 (GPIO input/output)
$\overline{DACK3}^{*3}$	DMAC3 Acknowledge Signal	O	Data acknowledge in DMAC channel 3 Multiplexed with SCIF2_SCK (SCIF input/output), MMCDAT (MMCIF input/output), SIOF_SCK (SIOF input/output) and Port K4 (GPIO input/output)

- Notes:
1. $\overline{CE2A}$ is an output pin when the TYPE bits in CS5BCR are set to B'100.
 2. $\overline{CE2B}$ is an output pin when the TYPE bits in CS6BCR are set to B'100.
 3. The polarity of $\overline{DACK0}$ to $\overline{DACK3}$ can be selected by the AL bit in CHCR0 to CHCR3 (the initial value selects active-low). For details, see section 14, Direct Memory Access Controller (DMAC).

11.3 Overview of Areas

11.3.1 Space Divisions

The LSI has a 32-bit virtual address space as the architecture. The virtual address space is divided into five areas according to the upper address value. Also, the memory space of the local bus has a 29-bit address space, and it is divided into eight areas.

A virtual address can be allocated to any external address by the address changing unit (MMU). For details, see section 7, Memory Management Unit (MMU). This section describes the local bus address area division.

Various types of memory or PC cards can be connected to the external address seven areas as shown in table 11.2 and the chip select signals ($\overline{CS0}$ to $\overline{CS6}$, $\overline{CE2A}$, and $\overline{CE2B}$) are output for each area. $\overline{CS0}$ is asserted when area 0 is accessed, and $\overline{CS6}$ is asserted when areas 6 is accessed. When the PCMCIA interface is selected for area 5 or 6, $\overline{CE2A}$ or $\overline{CE2B}$ is asserted along with $\overline{CS5}$ or $\overline{CS6}$, according to the accessed bytes.

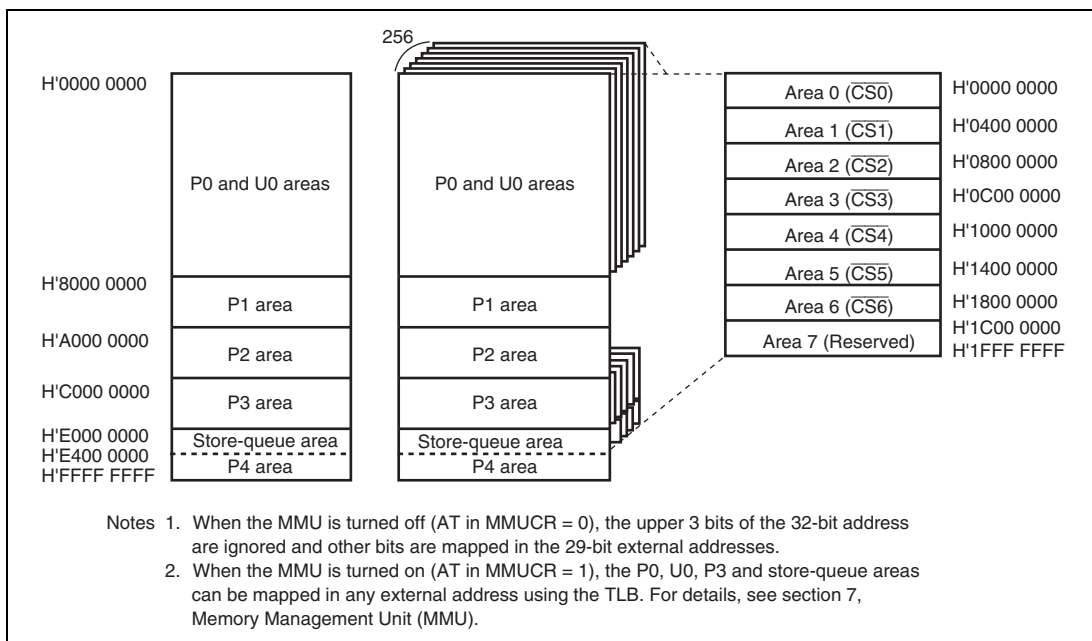


Figure 11.2 Correspondence between Virtual Address Space and Local Bus Memory Space

Table 11.2 LBSC External Memory Space Map

Area	External addresses	Size	Connectable Memory	Specifiable Bus Width (bits)	Access Size*7
0	H'0000 0000 to H'03FF FFFF	64 Mbytes	SRAM	8, 16, 32, 64* ¹	8/16/32 bits, 32 bytes
			Burst ROM	8, 16, 32, 64* ¹	
			MPX	32, 64* ¹	
1	H'0400 0000 to H'07FF FFFF	64 Mbytes	SRAM	8, 16, 32, 64* ²	8/16/32 bits, 32 bytes
			Burst ROM	8, 16, 32, 64* ²	
			MPX	32, 64* ²	
			Byte control SRAM	16, 32, 64* ²	
2	H'0800 0000 to H'0BFF FFFF	64 Mbytes	SRAM	8, 16, 32, 64* ²	8/16/32 bits, 32 bytes
			Burst ROM	8, 16, 32, 64* ²	
			MPX	32, 64* ²	
			(DDR2-SDRAM)* ³	16, 32	8/16/32 bits, 32 bytes
3	H'0C00 0000 to H'0FFF FFFF	64 Mbytes	SRAM	8, 16, 32, 64* ²	8/16/32 bits, 32 bytes
			Burst ROM	8, 16, 32, 64* ²	
			MPX	32, 64* ²	
			(DDR2-SDRAM)* ³	16, 32	8/16/32 bits, 32 bytes
4	H'1000 0000 to H'13FF FFFF	64 Mbytes	SRAM	8, 16, 32, 64* ²	8/16/32 bits, 32 bytes
			Burst ROM	8, 16, 32, 64* ²	
			MPX	32, 64* ²	
			Byte control SRAM	16, 32, 64* ²	
			(DDR2-SDRAM)* ³	16, 32	8/16/32 bits, 32 bytes
			(PCI)* ⁴	32	8/16/32 bits, 32 bytes
5	H'1400 0000 to H'17FF FFFF	64 Mbytes	SRAM	8, 16, 32, 64* ²	8/16/32 bits, 32 bytes
			MPX	32, 64* ²	
			Burst ROM	8, 16, 32, 64* ²	
			PCMCIA	8, 16* ^{2, 6}	
			(DDR2-SDRAM)* ³	16, 32	8/16/32 bits, 32 bytes

Area	External addresses	Size	Connectable Memory	Specifiable Bus Width (bits)	Access Size* ⁷
6	H'1800 0000 to H'1BFF FFFF	64 Mbytes	SRAM	8, 16, 32, 64* ²	8/16/32 bits, 32 bytes
			MPX	32, 64* ²	
			Burst ROM	8, 16, 32, 64* ²	
			PCMCIA	8, 16* ^{2,5}	
7* ⁷	H'1C00 0000 to H'1FFF FFFF	64 Mbytes	—	—	—

- Notes:
1. The memory bus width is specified by the external pins.
 2. The memory bus width is specified by the register.
 3. These areas can be allocated to DDR2-SDRAM by setting MMSEL_R. For details, see section 12, DDR2-SDRAM Interface (DBSC2).
 4. This area can be allocated to PCI memory by setting MMSEL_R. For details, see section 13, PCI Controller (PCIC).
 5. When the PCMCIA interface is used, the bus width should be 8 or 16 bits.
 6. Do not access the reserved area. If the reserved area is accessed, correct operation is not be guaranteed.
 7. If the LBSC is requested to perform 8- or 16-byte access by the bus master, the LBSC performs accesses two or four times respectively with 32-bit access size.

Area 0:	H'0000 0000	SRAM/Burst ROM/MPX	} The PCMCIA interface is also used for memory I/O cards.
Area 1:	H'0400 0000	SRAM/Burst ROM/MPX/Byte control SRAM	
Area 2:	H'0800 0000	SRAM/Burst ROM/MPX (DDR2-SDRAM)	
Area 3:	H'0C00 0000	SRAM/Burst ROM/MPX (DDR2-SDRAM)	
Area 4:	H'1000 0000	SRAM/Burst ROM/MPX/ Byte control SRAM (DDR2-SDRAM/PCI)	
Area 5: (1st half) H'1400 0000 (2nd half) H'1600 0000		SRAM/Burst ROM/MPX/PCMCIA * (DDR2-SDRAM)	
Area 6: (1st half) H'1800 0000 (2nd half) H'1A00 0000		SRAM/Burst ROM/MPX/PCMCIA *	

Note: * Any of these memory devices can be connected to each of the 1st and 2nd halves of the area.

Figure 11.3 Local Bus Memory Space Allocation

11.3.2 Memory Bus Width

The memory bus width of the LBSC can be set independently for each area. In area 0, a bus width of 8, 16, 32, or 64 bits is selected according to the external pin settings at a power-on reset by the $\overline{\text{PRESET}}$ pin. The relation between the external pins (MODE 6 and MODE 5) and the bus width at a power-on reset is shown below.

MODE6	MODE5	Bus Width
0	0	64 bits
0	1	8 bits
1	0	16 bits
1	1	32 bits

Note: When using 64 bits bus width, the MODE 12 and MODE11 must be set to 1 and 0 respectively.

By setting MODE12 and MODE11 to 1 and 0 respectively, D63 to D32 and $\overline{\text{WE7}}$ and $\overline{\text{WE4}}$ can be used in the LBSC. When 64-bit bus is used, set MODE12 and MODE11 to 1 and 0 respectively. The relationship between MODE12 and MODE11 and bus mode is shown below.

MODE12	MODE11	Bus Mode (D[63:32] and $\overline{\text{WE}}[7:4]$)
0	0	PCI (host)
0	1	PCI (normal)
1	0	LBSC
1	1	DU

When the SRAM or ROM interface is used in areas 0 to 6, a bus width of 8, 16, 32, or 64 bits can be selected by the CSn bus control register (CSnBCR). When the burst ROM interface is used, a bus width of 8, 16, 32, or 64 bits can be selected. When the byte control SRAM interface is used, a bus width of 16, 32, or 64 bits can be selected. When the MPX interface is used, the bus width should be set to 32 or 64 bits.

When the PCMCIA interface is used, the bus width should be set to 8 or 16 bits. For details, see section 11.5.5, PCMCIA Interface.

For details of memory bus width, see section 11.4.3, CSn Bus Control Register (CSnBCR).

The address range of area 7, from H'1C00 0000 to H'1FFFF FFFF, is reserved and must not be used.

11.3.3 PCMCIA Support

This LSI supports the PCMCIA interface specifications for areas 5 and 6 in the external memory space.

The IC memory card interface and I/O card interface specified in JEIDA specifications version 4.2 (PCMCIA2.1) are supported.

Both the IC memory card interface and the I/O card interface are supported in areas 5 and 6 in the external memory space.

The PCMCIA interface is supported only in little endian mode.

Table 11.3 PCMCIA Interface Features

Item	Features
Access	Random access
Data bus	8/16 bits
Memory type	Masked ROM, OTPROM, EPROM, flash memory, SRAM, ATA device
Common memory capacity	Max. 64 Mbytes
Attribute memory capacity	Max. 64 Mbytes
Others	Dynamic bus sizing for I/O bus width, access to the ATA device control register

Table 11.4 PCMCIA Support Interface

Pin	IC Memory Card Interface			I/O Card Interface			Corresponding Pin of SH7785
	Signal Name	I/O	Function	Signal Name	I/O	Function	
1	GND		Ground	GND		Ground	—
2	D3	I/O	Data	D3	I/O	Data	D3
3	D4	I/O	Data	D4	I/O	Data	D4
4	D5	I/O	Data	D5	I/O	Data	D5
5	D6	I/O	Data	D6	I/O	Data	D6
6	D7	I/O	Data	D7	I/O	Data	D7
7	$\overline{CE1}$	I	Card enable	$\overline{CE1}$	I	Card enable	$\overline{CS5}$ or $\overline{CS6}$
8	A10	I	Address	A10	I	Address	A10
9	\overline{OE}	I	Output enable	\overline{OE}	I	Output enable	\overline{RD}
10	A11	I	Address	A11	I	Address	A11
11	A9	I	Address	A9	I	Address	A9
12	A8	I	Address	A8	I	Address	A8
13	A13	I	Address	A13	I	Address	A13
14	A14	I	Address	A14	I	Address	A14
15	\overline{WE}	I	Write enable	\overline{WE}	I	Write enable	$\overline{WE1}$
16	\overline{READY}	O	Ready	\overline{IREQ}	O	Interrupt request	Sensed on port
17	VCC		Operating power supply	VCC		Operating power supply	—
18	VPP1 (VPP)		Programming power supply	VPP1 (VPP)		Programming/peripheral power supply	—
19	A16	I	Address	A16	I	Address	A16
20	A15	I	Address	A15	I	Address	A15
21	A12	I	Address	A12	I	Address	A12
22	A7	I	Address	A7	I	Address	A7
23	A6	I	Address	A6	I	Address	A6
24	A5	I	Address	A5	I	Address	A5
25	A4	I	Address	A4	I	Address	A4
26	A3	I	Address	A3	I	Address	A3
27	A2	I	Address	A2	I	Address	A2
28	A1	I	Address	A1	I	Address	A1
29	A0	I	Address	A0	I	Address	A0

Pin	IC Memory Card Interface			I/O Card Interface			Corresponding Pin of SH7785
	Signal Name	I/O	Function	Signal Name	I/O	Function	
30	D0	I/O	Data	D0	I/O	Data	D0
31	D1	I/O	Data	D1	I/O	Data	D1
32	D2	I/O	Data	D2	I/O	Data	D2
33	\overline{WP}^{*1}	O	Write protect	$\overline{IOIS16}$	O	16-bit I/O port	$\overline{IOIS16}$
34	GND		Ground	GND		Ground	—
35	GND		Ground	GND		Ground	—
36	$\overline{CD1}$	O	Card detection	$\overline{CD1}$	O	Card detection	Sensed on port
37	D11	I/O	Data	D11	I/O	Data	D11
38	D12	I/O	Data	D12	I/O	Data	D12
39	D13	I/O	Data	D13	I/O	Data	D13
40	D14	I/O	Data	D14	I/O	Data	D14
41	D15	I/O	Data	D15	I/O	Data	D15
42	$\overline{CE2}$	I	Card enable	$\overline{CE2}$	I	Card enable	$\overline{CE2A}$ or $\overline{CE2B}$
43	RFSH (VS1)	I	Refresh request	RFSH (VS1)	I	Refresh request	Output from port
44	RSRVD		Reserved	\overline{IORD}	I	I/O read	\overline{IORD}
45	RSRVD		Reserved	\overline{IOWR}	I	I/O write	\overline{IOWR}
46	A17	I	Address	A17	I	Address	A17
47	A18	I	Address	A18	I	Address	A18
48	A19	I	Address	A19	I	Address	A19
49	A20	I	Address	A20	I	Address	A20
50	A21	I	Address	A21	I	Address	A21
51	VCC		Power supply	VCC		Power supply	—
52	VPP2 (VPP)		Programming power supply	VPP2 (VPP)		Programming/peripheral power supply	—
53	A22	I	Address	A22	I	Address	A22
54	A23	I	Address	A23	I	Address	A23
55	A24	I	Address	A24	I	Address	A24
56	A25	I	Address	A25	I	Address	A25
57	RSRVD		Reserved	RSRVD		Reserved	—
58	RESET	I	Reset	RESET	I	Reset	Output from port
59	\overline{WAIT}	O	Wait request	\overline{WAIT}	O	Wait request	\overline{RDY}^{*2}

Pin	IC Memory Card Interface			I/O Card Interface			Corresponding Pin of SH7785
	Signal Name	I/O	Function	Signal Name	I/O	Function	
60	RSRVD		Reserved	$\overline{\text{INPACK}}$	O	Input acknowledge	—
61	$\overline{\text{REG}}$	I	Attribute memory space select	$\overline{\text{REG}}$	I	Attribute memory space select	$\overline{\text{REG}}$
62	BVD2	O	Battery voltage detection	$\overline{\text{SPKR}}$	O	Digital voice signal	Sensed on port
63	BVD1	O	Battery voltage detection	$\overline{\text{STSCHG}}$	O	Card status change	Sensed on port
64	D8	I/O	Data	D8	I/O	Data	D8
65	D9	I/O	Data	D9	I/O	Data	D9
66	D10	I/O	Data	D10	I/O	Data	D10
67	$\overline{\text{CD2}}$	O	Card detection	$\overline{\text{CD2}}$	O	Card detection	Sensed on port
68	GND		Ground	GND		Ground	—

Notes: 1. $\overline{\text{WP}}$ is not supported.

2. Be careful of the polarity.

I/O means input/output in PCMCIA card.

The polarity of the PCMCIA card interface indicates that on the card side, and the polarity of the corresponding pin of the SH7785 indicates that on this LSI side.

11.4 Register Descriptions

Table 11.5 shows registers for the LBSC. These registers control the interface with each memory, wait state, etc.

Table 11.5 Register Configuration (1)

Register Name	Abbrev.	R/W	P4 Address	Area 7 Address	Access Size*	Sync Clock
Memory Address Map Select Register	MMSELR	R/W	H'FC40 0020	H'1C40 0020	32	SHck
Bus Control Register	BCR	R/W	H'FF80 1000	H'1F80 1000	32	Bck
CS0 Bus Control Register	CS0BCR	R/W	H'FF80 2000	H'1F80 2000	32	Bck
CS1 Bus Control Register	CS1BCR	R/W	H'FF80 2010	H'1F80 2010	32	Bck
CS2 Bus Control Register	CS2BCR	R/W	H'FF80 2020	H'1F80 2020	32	Bck
CS4 Bus Control Register	CS4BCR	R/W	H'FF80 2040	H'1F80 2040	32	Bck
CS5 Bus Control Register	CS5BCR	R/W	H'FF80 2050	H'1F80 2050	32	Bck
CS6 Bus Control Register	CS6BCR	R/W	H'FF80 2060	H'1F80 2060	32	Bck
CS0 Wait Control Register	CS0WCR	R/W	H'FF80 2008	H'1F80 2008	32	Bck
CS1 Wait Control Register	CS1WCR	R/W	H'FF80 2018	H'1F80 2018	32	Bck
CS2 Wait Control Register	CS2WCR	R/W	H'FF80 2028	H'1F80 2028	32	Bck
CS4 Wait Control Register	CS4WCR	R/W	H'FF80 2048	H'1F80 2048	32	Bck
CS5 Wait Control Register	CS5WCR	R/W	H'FF80 2058	H'1F80 2058	32	Bck
CS6 Wait Control Register	CS6WCR	R/W	H'FF80 2068	H'1F80 2068	32	Bck
CS5 PCMCIA Control Register	CS5PCR	R/W	H'FF80 2070	H'1F80 2070	32	Bck
CS6 PCMCIA Control Register	CS6PCR	R/W	H'FF80 2080	H'1F80 2080	32	Bck

Note: Do not access with except the specified access size.

Table 11.5 Register Configuration (2)

Register Name	Abbrev.	Power-on Reset by PRESET Pin/WDT/H-UDI	Manual Reset by WDT/Multiple Exception	Sleep by SLEEP Command	Deep Sleep by SLEEP Command (DSL P = 1)
Memory Address Map Select Register	MMSCLR	H'0000 0000	H'0000 0000	Retained	Retained
Bus Control Register	BCR	H'00 0000	Retained	Retained	Retained
CS0 Bus Control Register	CS0BCR	H'7777 77F0	Retained	Retained	Retained
CS1 Bus Control Register	CS1BCR	H'7777 77F0	Retained	Retained	Retained
CS2 Bus Control Register	CS2BCR	H'7777 77F0	Retained	Retained	Retained
CS3 Bus Control Register	CS3BCR	H'7777 77F0	Retained	Retained	Retained
CS4 Bus Control Register	CS4BCR	H'7777 77F0	Retained	Retained	Retained
CS5 Bus Control Register	CS5BCR	H'7777 77F0	Retained	Retained	Retained
CS6 Bus Control Register	CS6BCR	H'7777 77F0	Retained	Retained	Retained
CS0 Wait Control Register	CS0WCR	H'7777 770F	Retained	Retained	Retained
CS1 Wait Control Register	CS1WCR	H'7777 770F	Retained	Retained	Retained
CS2 Wait Control Register	CS2WCR	H'7777 770F	Retained	Retained	Retained
CS3 Wait Control Register	CS3WCR	H'7777 770F	Retained	Retained	Retained
CS4 Wait Control Register	CS4WCR	H'7777 770F	Retained	Retained	Retained
CS5 Wait Control Register	CS5WCR	H'7777 770F	Retained	Retained	Retained
CS6 Wait Control Register	CS6WCR	H'7777 770F	Retained	Retained	Retained
CS5 PCMCIA Control Register	CS5PCR	H'7700 0000	Retained	Retained	Retained
CS6 PCMCIA Control Register	CS6PCR	H'7700 0000	Retained	Retained	Retained

11.4.1 Memory Address Map Select Register (MMSELR)

MMSELR is a 32-bit register that selects memory address maps for areas 2 to 5. This register should be accessed at the address H'FC40 0020 in longword. To prevent incorrect writing, writing is accepted only when the upper 16-bit data is H'A5A5. The upper 29 bits are always read as 0. This register is initialized to H'0000 0000 by a power-on reset or a manual reset.

Bit:	31	30	29	28	27	26	25	24	23	22	21	20	19	18	17	16
	Code for writing (H'A5A5)															
Initial value:	0	0	0	0	0	0	0	0	0	0	0	0	0	0	0	0
R/W:	R/W	R/W	R/W	R/W	R/W	R/W	R/W	R/W	R/W	R/W	R/W	R/W	R/W	R/W	R/W	R/W
Bit:	15	14	13	12	11	10	9	8	7	6	5	4	3	2	1	0
	—	—	—	—	—	—	—	—	—	—	—	—	AREASEL			
Initial value:	0	0	0	0	0	0	0	0	0	0	0	0	0	0	0	0
R/W:	R	R	R	R	R	R	R	R	R	R	R	R	R	R	R/W	R/W

Bit	Bit Name	Initial Value	R/W	Description
31 to 16	(Code for writing)	All 0	R/W	Code for writing Set these bits to H'A5A5 (write H'A5A5 to these bits) when writing to AREASEL (bits 2 to 0) in this register. These bits are always read as 0.
15 to 3	—	All 0	R	Reserved These bits are always read as 0. The write value should always be 0.

Bit	Bit Name	Initial Value	R/W	Description
2 to 0	AREASEL	000	R/W	<p>DDR2-SDRAM/PCI Memory Space Select</p> <p>000: Sets area 3 (H'0C00 0000 to H'0FFF FFFF) as the DDR2-SDRAM space and the other areas as the local bus space</p> <p>001: Sets area 3 (H'0C00 0000 to H'0FFF FFFF) as the DDR2-SDRAM space, area 4 (H'1000 0000 to H'13FF FFFF) as the PCI space, and the other areas as the local bus space</p> <p>010: Sets areas 2 and 3 (H'0800 0000 to H'0FFF FFFF) as the DDR2-SDRAM space and the other areas as the local bus space</p> <p>011: Sets areas 2 and 3 (H'0800 0000 to H'0FFF FFFF) as the DDR2-SDRAM space, area 4 (H'1000 0000 to H'13FF FFFF) as the PCI space, and the other areas as the local bus space</p> <p>100: Sets areas 2 to 5 (H'0800 0000 to H'17FF FFFF) as the DDR-SDRAM space</p> <p>101: Sets areas 2 to 5 (H'0800 0000 to H'17FF FFFF) as the local bus space</p> <p>110: Sets area 4 (H'1000 0000 to H'13FF FFFF) as the PCI space, and the other areas as the local bus space</p> <p>111: Setting prohibited</p>

This register should be written by the CPU. Before writing to this register, set that no access will be generated from the DMAC, GDTA, DU or PCIC and execute the SYNCO instruction immediately before the MOV instruction to write this register, etc. to prevent remaining unprocessed access.

Also, execute following instructions immediately after the MOV instruction to write to this register.

1. MOV instruction to read this register
2. MOV instruction to read this register
3. SYNCO instruction

Example:

```
-----  
MOV.L   #H'FC400020, R0           ;  
MOV.L   #MMSELR_DATA, R1         ; MMSELR_DATA=Writing value of MMSELR  
SYNCO                               ; (upper word=H'A5A5)  
MOV.L   R1, @R0                   ; Writing to MMSELR  
MOV.L   @R0, R2  
MOV.L   @R0, R2  
SYNCO  
-----
```

The instruction to write to this register should be allocated to the uncacheable area P2 and to the area that is not affected by writing to this register.

This register should be written before enabling the instruction cache, operand cache, and MMU address translation and should not be rewritten until after a power-on reset or manual reset is executed.

11.4.2 Bus Control Register (BCR)

BCR is a 32-bit readable/writable register that specifies the function, bus cycle state, etc for each area. BCR is initialized to H'0000 0000 in big endian mode and to H'8000 0000 in little endian mode by a power-on reset, however, not initialized by a manual reset.

Bit:	31	30	29	28	27	26	25	24	23	22	21	20	19	18	17	16		
	END IAN	MAS TER	—	—	—	DPUP	—	OPUP	DACKBST[3:0]				—	—	BREQ EN	DMA BST		
Initial value:	x*	x*	0	0	0	0	0	0	0	0	0	0	0	0	0	0		
R/W:	R	R	R	R	R	R/W	R	R/W	R/W	R/W	R/W	R/W	R	R	R/W	R/W		
Bit:	15	14	13	12	11	10	9	8	7	6	5	4	3	2	1	0		
	—	HIZ CNT	—	—	—	—	—	—	—	ASYNC[6:0]							—	—
Initial value:	0	0	0	0	0	0	0	0	0	0	0	0	0	0	0	0		
R/W:	R	R/W	R	R	R	R	R	R	R	R/W	R/W	R/W	R/W	R/W	R/W	R/W		

Note: * The initial values of bits 31 and 30 depend on the states of the external pins MODE8 and MODE9, respectively.

Bit	Bit Name	Initial Value	R/W	Description
31	ENDIAN	x	R	<p>Endian Flag</p> <p>The value on the external pin (MODE8) that sets the endian mode is sampled and reflected in this bit at a power-on reset by the PRESET pin. This bit determines the endian for all spaces.</p> <p>0: Indicates that a low level is on the MODE8 pin at a power-on reset and the LSI has been configured for big endian.</p> <p>1: Indicates that a high level is on the MODE8 pin at a power-on reset and the LSI has been configured for little endian.</p>
30	MASTER	x	R	<p>Master/Slave Flag</p> <p>The value on the external pin (MODE9) that sets master/slave is sampled and reflected in this bit at a power-on reset by the PRESET pin. This bit specifies master/slave for all spaces.</p> <p>0: Indicates that a high level is on the MODE9 and the LSI has been configured as master.</p> <p>1: Indicates that a high level is on the MODE9 and the LSI has been configured as slave.</p>
29 to 27	—	All 0	R	<p>Reserved</p> <p>These bits are always read as 0. The write value should always be 0.</p>

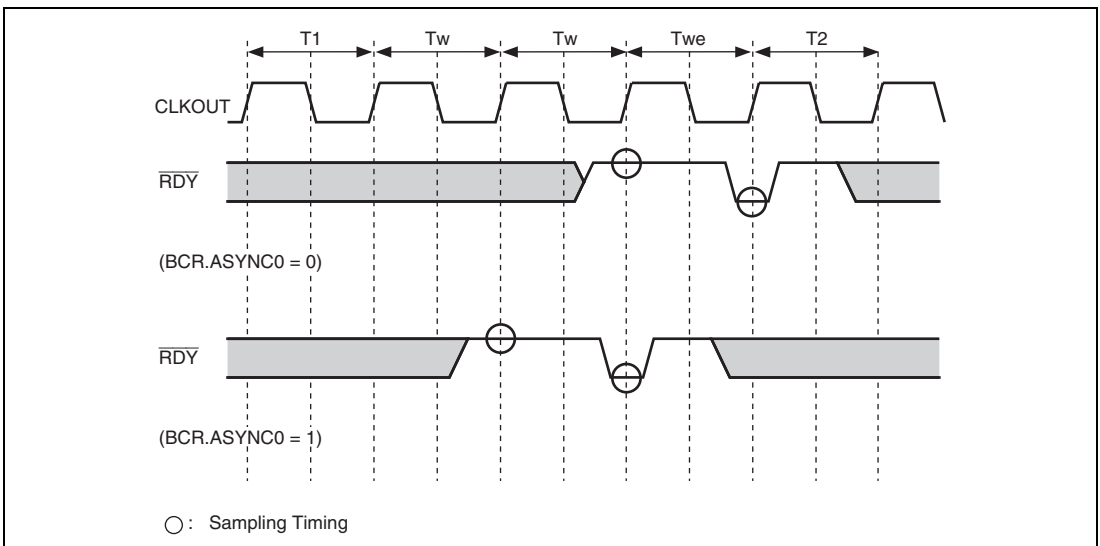
Bit	Bit Name	Initial Value	R/W	Description
26	DPUP	0	R/W	<p>Data Pin Pull-Up Resistor Control</p> <p>Specifies the pull-up resistor state of the data pins (D63 to D0). This bit is initialized at a power-on reset. The pins are not pulled up when access is performed or when the bus is released, even if the pull-up resistor is on.</p> <p>0: Some cycles of the pull-up resistors of the data pins (D63 to D0) are turned on before and after a memory access.*</p> <p>1: Pull-up resistors of the data pins (D63 to D0) are off.</p> <p>Note: * When data pin pull-up is necessary, it is recommended to connect a pull-up resistor externally.</p>
25	—	0	R	<p>Reserved</p> <p>This bit is always read as 0. The write value should always be 0.</p>
24	OPUP	0	R/W	<p>Control Output Pin Pull-Up Resistor Control</p> <p>Specifies the pull-up resistor state (A25 to A0, \overline{BS}, \overline{CSn}, \overline{RD}, \overline{WE}, R/W, $\overline{CE2A}$, and $\overline{CE2B}$) when the control output pins are high-impedance. This bit is initialized at a power-on reset.</p> <p>0: Pull-up resistors for control output pins (A25 to A0, \overline{BS}, \overline{CSn}, \overline{RD}, \overline{WE}, R/W, $\overline{CE2A}$, and $\overline{CE2B}$) are on</p> <p>1: Pull-up resistors for control output pins (A25 to A0, \overline{BS}, \overline{CSn}, \overline{RD}, \overline{WE}, R/W, $\overline{CE2A}$, and $\overline{CE2B}$) are off</p>
23 to 20	DACKBST [3:0]	All 0	R/W	<p>DACKBST3 to DACKBST0</p> <p>0: \overline{DACKn} signals asserted in synchronization with the bus cycle (n = 0 to 3)</p> <p>1: \overline{DACKn} signals remain asserted from the start to the end of burst transfer when DMA transfer is performed in burst mode</p> <p>These bits can be set to 1 only when the memory type of the DACK output area in the corresponding DMA transfer channel is set to PCMCIA interface. In other cases, these bits should be cleared to 0.</p> <p>The pins corresponding to each bits are as follows.</p> <p>DACKBST[3]: $\overline{DACK3}$</p> <p>DACKBST[2]: $\overline{DACK2}$</p> <p>DACKBST[1]: $\overline{DACK1}$</p> <p>DACKBST[0]: $\overline{DACK0}$</p>

Bit	Bit Name	Initial Value	R/W	Description
19, 18	—	All 0	R	Reserved These bits are always read as 0. The write value should always be 0.
17	BREQEN	0	R/W	$\overline{\text{BREQ}}$ Enable Specifies whether an external request can be accepted or not. In the initialized state at a power-on reset, an external request is not accepted. When this LSI is booted up in slave mode, an external request is accepted regardless of the BREQEN value. 0: An external request is not accepted 1: An external request is accepted
16	DMABST	0	R/W	DMAC Burst Mode Transfer Priority Setting Specifies the priority of burst mode transfers by DMA channels 0 to 5. When this bit is cleared to 0, the priority is as follows: bus release, DMAC (burst mode), CPU, DMAC, PCIC. When this bit is set to 1, the bus is not released until completion of the DMAC burst transfer. This bit is initialized at a power-on reset. 0: DMAC burst mode transfer priority setting is off 1: DMAC burst mode transfer priority setting is on
15	—	0	R	Reserved This bit is always read as 0. The write value should always be 0.
14	HIZCNT	0	R/W	High Impedance (Hi-Z) Control Specifies the state of signals $\overline{\text{WEn}}$ and $\overline{\text{RD/FRAME}}$ in the bus-released state. 0: Signals $\overline{\text{WEn}}$ and $\overline{\text{RD/FRAME}}$ are high-impedance in the bus-released state 1: Signals $\overline{\text{WEn}}$ and $\overline{\text{RD/FRAME}}$ are driven in the bus-released state
13 to 7	—	All 0	R	Reserved These bits are always read as 0. The write value should always be 0.

Bit	Bit Name	Initial Value	R/W	Description
6 to 0	ASYNC[6:0]	All 0	R/W	Asynchronous Input These bits enable asynchronous inputs of the corresponding pins. 0: CLKOUT-synchronous inputs to the corresponding pins 1: CLKOUT-asynchronous inputs to the corresponding pins ASYNC[6]: $\overline{\text{DREQ3}}$ ASYNC[5]: $\overline{\text{DREQ2}}$ ASYNC[4]: $\overline{\text{DREQ1}}$ ASYNC[3]: $\overline{\text{DREQ0}}$ ASYNC[2]: $\overline{\text{IOIS16}}$ ASYNC[1]: $\overline{\text{BREQ}}$ ASYNC[0]: $\overline{\text{RDY}}$

When asynchronous input is set (ASYNC_n = 1), the sampling timing is one cycle before the synchronous input setting (see figure 11.4).

The timing shown in this section, other sections and section 32 Electrical Characteristics is that with synchronous input setting (ASYNC_n = 0). Note that the setup/hold time must be satisfied when synchronous input is set.



**Figure 11.4 $\overline{\text{RDY}}$ Sampling Timings with ASYNC_n Settings
(Two Wait Cycles Inserted by CS_nWCR.)**

11.4.3 CSn Bus Control Register (CSnBCR)

CSnBCR are 32-bit readable/writable registers that specify the bus width for area n (n = 0 to 6), idle mode between cycles, burst ROM setting and memory types.

Some types of memory continue to drive the data bus immediately after the read signal is turned off. Therefore, data buses may collide with each other when different memory areas are accessed consecutively or memory writing is performed immediately after it is read. This LSI automatically inserts idle cycles as specified with CSnBCR when the data buses may collide. In the idle cycles, \overline{CSn} , \overline{RD} , \overline{WEn} , $\overline{CE2A}$, $\overline{CE2B}$, \overline{BS} and R/\overline{W} are set to high, and the data bus is not driven.

CSnBCR is initialized to H'7777 77F0 at a power-on reset, but is not initialized by a manual reset.

Bit:	31	30	29	28	27	26	25	24	23	22	21	20	19	18	17	16
	—	IWW			—	IWRWD			—	IWRWS			—	IWRRD		
Initial value:	0	1	1	1	0	1	1	1	0	1	1	1	0	1	1	1
R/W:	R	R/W	R/W	R/W	R	R/W	R/W	R/W	R	R/W	R/W	R/W	R	R/W	R/W	R/W
Bit:	15	14	13	12	11	10	9	8	7	6	5	4	3	2	1	0
	—	IWRRS			BST		SZ*		RDSPL	BW		MPX*	TYPE			
Initial value:	0	1	1	1	0	1	1	1	1	1	1	1	0	0	0	0
R/W:	R	R/W	R/W	R/W	R/W	R/W	R/W*	R/W*	R/W	R/W	R/W	R/W	R/W*	R/W	R/W	R/W

Note: * Bits SZ and MPX in CS0BCR are read-only.

Bit	Bit Name	Initial Value	R/W	Description
31	—	0	R	Reserved This bit is always read as 0. The write value should always be 0.

Bit	Bit Name	Initial Value	R/W	Description
30 to 28	IWW	111	R/W	<p>Idle Cycles between Write-Read/Write-Write</p> <p>These bits specify the number of idle cycles to be inserted after the access of the memory connected to the space. The target cycles are write-read and write-write cycles. For details, see section 11.5.8, Wait Cycles between Access Cycles.</p> <p>000: No idle cycle inserted 001: 1 idle cycle inserted 010: 2 idle cycles inserted 011: 3 idle cycles inserted 100: 4 idle cycles inserted 101: 5 idle cycles inserted 110: 6 idle cycles inserted 111: 7 idle cycles inserted</p>
27	—	0	R	<p>Reserved</p> <p>This bit is always read as 0. The write value should always be 0.</p>
26 to 24	IWRWD	111	R/W	<p>Idle Cycles between Read-Write in Different Spaces</p> <p>These bits specify the number of idle cycles to be inserted after the access of the memory connected to the space. The target cycles are read-write cycles in which consecutive accesses are performed to different spaces. For details, see section 11.5.8, Wait Cycles between Access Cycles.</p> <p>000: No idle cycle inserted 001: 1 idle cycle inserted 010: 2 idle cycles inserted 011: 3 idle cycles inserted 100: 4 idle cycles inserted 101: 5 idle cycles inserted 110: 6 idle cycles inserted 111: 7 idle cycles inserted</p>

Bit	Bit Name	Initial Value	R/W	Description
23	—	0	R	Reserved This bit is always read as 0. The write value should always be 0.
22 to 20	IWRWS	111	R/W	Idle Cycles between Read-Write in Same Space These bits specify the number of idle cycles to be inserted after the access to the memory connected to the space. The target cycles are read-write cycles in which consecutive accesses are performed to the same space. For details, see section 11.5.8, Wait Cycles between Access Cycles. 000: No idle cycle inserted 001: 1 idle cycle inserted 010: 2 idle cycles inserted 011: 3 idle cycles inserted 100: 4 idle cycles inserted 101: 5 idle cycles inserted 110: 6 idle cycles inserted 111: 7 idle cycles inserted
19	—	0	R	Reserved This bit is always read as 0. The write value should always be 0.
18 to 16	IWRRD	111	R/W	Idle Cycles between Read-Read in Different Spaces These bits specify the number of idle cycles to be inserted after the memory connected to the space is accessed. The target cycles are read-read cycles in which consecutive accesses are performed to different spaces. For details, see section 11.5.8, Wait Cycles between Access Cycles. 000: No idle cycle inserted 001: 1 idle cycle inserted 010: 2 idle cycles inserted 011: 3 idle cycles inserted 100: 4 idle cycles inserted 101: 5 idle cycles inserted 110: 6 idle cycles inserted 111: 7 idle cycles inserted

Bit	Bit Name	Initial Value	R/W	Description
15	—	0	R	Reserved This bit is always read as 0. The write value should always be 0.
14 to 12	IWRRS	111	R/W	Idle Cycles between Read-Read in Same Space These bits specify the number of idle cycles to be inserted after the memory connected to the space is accessed. The target cycles are read-read cycles in which consecutive accesses are performed to the same space. For details, see section 11.5.8, Wait Cycles between Access Cycles. 000: No idle cycle inserted 001: 1 idle cycle inserted 010: 2 idle cycles inserted 011: 3 idle cycles inserted 100: 4 idle cycles inserted 101: 5 idle cycles inserted 110: 6 idle cycles inserted 111: 7 idle cycles inserted
11, 10	BST	01	R/W	Burst Number These bits specify the number of bursts when the burst ROM interface is used. The MPX interface is not affected. 00: 4 consecutive accesses (Can be used with 8-, 16-, or 32-bit bus width) 01: 8 consecutive accesses (Can be used with 8-, 16-, or 32-bit bus width) 10: 16 consecutive accesses (Can be used with 8-, or 16-bit bus width) 11: 32 consecutive accesses (Can be used with 8-bit bus width)

Bit	Bit Name	Initial Value	R/W	Description
9, 8	SZ	11	R/W*	<p>Bus Width</p> <p>In CS0BCR, the external pins (MODE5 and MODE6) to specify the bus size are sampled at a power-on reset. When using the MPX interface, set these bits to 00 or 11. When using the byte control SRAM interface, set these bits to 00, 10 or 11.</p> <p>00: 64 bits (can be specified when the MODE 12 and MODE 11 pins are set to 1 and 0 respectively.)</p> <p>01: 8 bits</p> <p>10: 16 bits</p> <p>11: 32 bits</p> <p>Note: * The SZ bits in CS0BCR are read-only. When area 0 is set to the MPX interface by the MODE7 pin, the SZ bits in CS0BCR should be set to 00 or 11.</p>
7	RDSPL	1	R/W	<p>RD Hold Cycle</p> <p>Specifies the number of cycles to be inserted in the hold time for the read data sample timing of \overline{RD}. When setting this bit to 1, specify the number of \overline{RD} negation-\overline{CSn} negation delay cycles set by the RDH bit in CSnWCR as 1 or more. Also the \overline{RD} negation-\overline{CSn} negation delay cycle is reduced 1 cycle when this bit is set to 1 (valid only when the SRAM interface, burst ROM interface, or byte control SRAM interface is selected).</p> <p>0: No hold cycle inserted</p> <p>1: 1 hold cycle inserted</p>

Bit	Bit Name	Initial Value	R/W	Description
6 to 4	BW	111	R/W	<p>Burst Pitch</p> <p>When the burst ROM interface is used, these bits specify the number of wait cycles to be inserted after the second data access in a burst transfer.</p> <p>000: No idle cycle inserted, $\overline{\text{RDY}}$ pin disabled 001: 1 idle cycle inserted, $\overline{\text{RDY}}$ pin enabled 010: 2 idle cycles inserted, $\overline{\text{RDY}}$ pin enabled 011: 3 idle cycles inserted, $\overline{\text{RDY}}$ pin enabled 100: 4 idle cycles inserted, $\overline{\text{RDY}}$ pin enabled 101: 5 idle cycles inserted, $\overline{\text{RDY}}$ pin enabled 110: 6 idle cycles inserted, $\overline{\text{RDY}}$ pin enabled 111: 7 idle cycles inserted, $\overline{\text{RDY}}$ pin enabled</p>
3	MPX	0	R/W*	<p>MPX Interface Setting</p> <p>Selects the type of the MPX interface</p> <p>0: Memory type set by bits TYPE2 to TYPE0 is selected 1: MPX interface is selected</p> <p>Note: * The MPX bit in CS0BCR is read-only.</p>
2 to 0	TYPE	000	R/W	<p>Memory Type Setting</p> <p>These bits specify the type of memory connected to the space.</p> <p>000: SRAM (Initial value) 001: SRAM with byte-control*¹ 010: Burst ROM (burst at read/SRAM at write) 011: Reserved (Setting prohibited) 100: PCMCIA *² 101: Reserved (Setting prohibited) 110: Reserved (Setting prohibited) 111: Reserved (Setting prohibited)</p> <p>Notes: 1. Setting enabled only in CS1BCR and CS4BCR 2. Setting enabled only in CS5BCR and CS6BCR</p>

11.4.4 CSn Wait Control Register (CSnWCR)

CSnWCR (n = 0 to 6) are 32-bit readable/writable registers that specify the number of wait cycles to be inserted for areas 0 to 6, the number of wait cycles to be inserted preceding the first data in burst memory access, the address setup time, which is the time from the point at which the output of address for access is started until assertion of the read/write strobe signal, and the number of cycles to be inserted as the data hold time from negation of the write strobe signal.

CSnWCR is initialized to H'7777 770F by a power-on reset, but it is not initialized by a manual reset.

Bit:	31	30	29	28	27	26	25	24	23	22	21	20	19	18	17	16
	—	ADS			—	ADH			—	RDS			—	RDH		
Initial value:	0	1	1	1	0	1	1	1	0	1	1	1	0	1	1	1
R/W:	R	R/W	R/W	R/W	R	R/W	R/W	R/W	R	R/W	R/W	R/W	R	R/W	R/W	R/W
Bit:	15	14	13	12	11	10	9	8	7	6	5	4	3	2	1	0
	—	WTS			—	WTH			—	BSH			IW[3:0]			
Initial value:	0	1	1	1	0	1	1	1	0	0	0	0	1	1	1	1
R/W:	R	R/W	R/W	R/W	R/W	R/W	R/W	R/W	R	R/W	R/W	R/W	R/W	R/W	R/W	R/W

Bit	Bit Name	Initial Value	R/W	Description
31	—	0	R	Reserved This bit is always read as 0. The write value should always be 0.
30 to 28	ADS	111	R/W	Address Setup Cycle These bits specify the number of cycles to be inserted as the address setup time with respect to CSn assertion. (Only valid when the SRAM interface, byte control SRAM interface, or burst ROM interface is selected.) 000: No cycle inserted 001: 1 cycle inserted 010: 2 cycles inserted 011: 3 cycles inserted 100: 4 cycles inserted 101: 5 cycles inserted 110: 6 cycles inserted 111: 7 cycles inserted

Bit	Bit Name	Initial Value	R/W	Description
27	—	0	R	Reserved This bit is always read as 0. The write value should always be 0.
26 to 24	ADH	111	R/W	Address Hold Cycle These bits specify the number of cycles to be inserted as the address hold time with respect to \overline{CSn} negation. (Only valid when the SRAM interface, byte control SRAM interface, or burst ROM interface is selected.) 000: No cycle inserted 001: 1 cycle inserted 010: 2 cycles inserted 011: 3 cycles inserted 100: 4 cycles inserted 101: 5 cycles inserted 110: 6 cycles inserted 111: 7 cycles inserted
23	—	0	R	Reserved This bit is always read as 0. The write value should always be 0.
22 to 20	RDS	111	R/W	\overline{RD} Setup Cycle (\overline{CSn} Assertion– \overline{RD} Assertion Delay Cycle) These bits specify the number of cycles to be inserted as the time from \overline{CSn} assertion to \overline{RD} assertion. (Only valid only when the SRAM interface, byte control SRAM interface, or burst ROM interface is selected.) 000: No cycle inserted (1 cycle delayed) 001: 1 cycle inserted (2 cycles delayed) 010: 2 cycles inserted (3 cycles delayed) 011: 3 cycles inserted (4 cycles delayed) 100: 4 cycles inserted (5 cycles delayed) 101: 5 cycles inserted (6 cycles delayed) 110: 6 cycles inserted (7 cycles delayed) 111: 7 cycles inserted (8 cycles delayed)

Bit	Bit Name	Initial Value	R/W	Description
19	—	0	R	Reserved This bit is always read as 0. The write value should always be 0.
18 to 16	RDH	111	R/W	RD Hold Cycle ($\overline{\text{RD}}$ Negation– $\overline{\text{CSn}}$ Negation Delay Cycle) These bits specify the number of cycles to be inserted as the time from $\overline{\text{RD}}$ negation to $\overline{\text{CSn}}$ negation. (Only valid when the SRAM interface, byte control SRAM interface, or burst ROM interface is selected.) 000: No cycle inserted (0 cycle delayed) 001: 1 cycle inserted (1 cycle delayed) 010: 2 cycles inserted (2 cycles delayed) 011: 3 cycles inserted (3 cycles delayed) 100: 4 cycles inserted (4 cycles delayed) 101: 5 cycles inserted (5 cycles delayed) 110: 6 cycles inserted (6 cycles delayed) 111: 7 cycles inserted (7 cycles delayed)
15	—	0	R	Reserved This bit is always read as 0. The write value should always be 0.
14 to 12	WTS	111	R/W	$\overline{\text{WE}}$ Setup Cycle ($\overline{\text{CSn}}$ Assertion– $\overline{\text{WE}}$ Assertion Delay Cycle) These bits specify the number of cycles to be inserted as the time from $\overline{\text{CSn}}$ assertion to $\overline{\text{WE}}$ assertion. (Only valid when the SRAM interface, byte control SRAM interface, or burst ROM interface is selected.) 000: No cycle inserted (0.5 cycle delayed) 001: 1 cycle inserted (1.5 cycles delayed) 010: 2 cycles inserted (2.5 cycles delayed) 011: 3 cycles inserted (3.5 cycles delayed) 100: 4 cycles inserted (4.5 cycles delayed) 101: 5 cycles inserted (5.5 cycles delayed) 110: 6 cycles inserted (6.5 cycles delayed) 111: 7 cycles inserted (7.5 cycles delayed)

Bit	Bit Name	Initial Value	R/W	Description
11	—	0	R	Reserved This bit is always read as 0. The write value should always be 0.
10 to 8	WTH	111	R/W	\overline{WE} Hold Cycle (\overline{WE} Negation– \overline{CSn} Negation Delay Cycle) These bits specify the number of cycles to be inserted as the time from \overline{WE} negation to \overline{CSn} negation. (Only valid when the SRAM interface, byte control SRAM interface, or burst ROM interface is selected.) 000: No cycle inserted (0.5 cycle delayed) 001: 1 cycle inserted (1.5 cycles delayed) 010: 2 cycles inserted (2.5 cycles delayed) 011: 3 cycles inserted (3.5 cycles delayed) 100: 4 cycles inserted (4.5 cycles delayed) 101: 5 cycles inserted (5.5 cycles delayed) 110: 6 cycles inserted (6.5 cycles delayed) 111: 7 cycles inserted (7.5 cycles delayed)
7	—	0	R	Reserved This bit is always read as 0. The write value should always be 0.
6 to 4	BSh	000	R/W	\overline{BS} Hold Cycle These bits specify the number of cycles to extend \overline{BS} assertion. The extension of the assertion is valid when the RDS bits in CSnWCR are not set to 000 in reading and when the WTS bits in CSnWCR are not set to 000 in writing. The total access cycle count is not changed by setting these bits. 000: \overline{BS} assertion is 1 cycle 001: \overline{BS} assertion is 2 cycles 010: Setting prohibited 011: Setting prohibited 100: Setting prohibited 101: Setting prohibited 110: Setting prohibited 111: Setting prohibited

Bit	Bit Name	Initial Value	R/W	Description																
3 to 0	IW[3:0]	1111	R/W	<p>Insert Wait Cycle</p> <p>These bits specify the number of wait cycles to be inserted. The wait cycles are as follows when the SRAM interface, byte control SRAM interface, burst ROM interface (first data cycle only), or PCMCIA interface is selected. Insertion of external wait cycles by the $\overline{\text{RDY}}$ pin is not possible when "no cycle inserted" is selected.</p> <table> <tr> <td>0000: No cycle inserted</td> <td>1000: 8 cycles inserted</td> </tr> <tr> <td>0001: 1 cycle inserted</td> <td>1001: 9 cycles inserted</td> </tr> <tr> <td>0010: 2 cycles inserted</td> <td>1010: 11 cycles inserted</td> </tr> <tr> <td>0011: 3 cycles inserted</td> <td>1011: 13 cycles inserted</td> </tr> <tr> <td>0100: 4 cycles inserted</td> <td>1100: 15 cycles inserted</td> </tr> <tr> <td>0101: 5 cycles inserted</td> <td>1101: 17 cycles inserted</td> </tr> <tr> <td>0110: 6 cycles inserted</td> <td>1110: 21 cycles inserted</td> </tr> <tr> <td>0111: 7 cycles inserted</td> <td>1111: 25 cycles inserted</td> </tr> </table> <p>When MPX interface is selected, the wait cycles are inserted as follows according to the IW[2:0] setting. The IW[3] setting is invalid. The external wait cycles can be inserted by the $\overline{\text{RDY}}$ pin in any settings.</p> <p>IW[2] specifies wait cycle insertion for the second and subsequent data:</p> <p>0: No cycle inserted 1: 1 cycle inserted</p> <p>IW[1:0] specifies wait cycle insertion for the first data:</p> <p>00: 1 cycle inserted in reading and no cycle inserted in writing 01: 1 cycle inserted in reading and 1 cycle inserted in writing 10: 2 cycles inserted in reading and 2 cycles inserted in writing 11: 3 cycles inserted in reading and 3 cycles inserted in writing</p>	0000: No cycle inserted	1000: 8 cycles inserted	0001: 1 cycle inserted	1001: 9 cycles inserted	0010: 2 cycles inserted	1010: 11 cycles inserted	0011: 3 cycles inserted	1011: 13 cycles inserted	0100: 4 cycles inserted	1100: 15 cycles inserted	0101: 5 cycles inserted	1101: 17 cycles inserted	0110: 6 cycles inserted	1110: 21 cycles inserted	0111: 7 cycles inserted	1111: 25 cycles inserted
0000: No cycle inserted	1000: 8 cycles inserted																			
0001: 1 cycle inserted	1001: 9 cycles inserted																			
0010: 2 cycles inserted	1010: 11 cycles inserted																			
0011: 3 cycles inserted	1011: 13 cycles inserted																			
0100: 4 cycles inserted	1100: 15 cycles inserted																			
0101: 5 cycles inserted	1101: 17 cycles inserted																			
0110: 6 cycles inserted	1110: 21 cycles inserted																			
0111: 7 cycles inserted	1111: 25 cycles inserted																			

11.4.5 CSn PCMCIA Control Register (CSnPCR)

CSnPCR is a 32-bit readable/writable register that specifies the timing for the PCMCIA interface connected to area n (CSnPCR, n = 5 or 6), the space property, and the assert/negate timing for the \overline{OE} and \overline{WE} signals. Also, areas 5 and 6 in CSnPCR can be set for the first half and second half individually. The first half of area 5 is allocated from H'1400 0000 to H'15FF FFFF, and the second half of area 5 is allocated from H'1600 0000 to H'17FF FFFF. The first half of area 6 is allocated from H'1800 0000 to H'19FF FFFF, and the second half of area 6 is allocated from H'1A00 0000 to H'1BFF FFFF (these addresses are the local bus address). The pulse widths of \overline{OE} and \overline{WE} assertion for the first half of area 5 and 6 are set by the IW bits in CSnWCR.

CSnPCR is initialized to H'7700 0000 by a power-on reset, but it is not initialized by a manual reset.

Bit:	31	30	29	28	27	26	25	24	23	22	21	20	19	18	17	16
	—	SAA			—	SAB			PCWA		PCWB		PCIW			
Initial value:	0	1	1	1	0	1	1	1	0	0	0	0	0	0	0	0
R/W:	R	R/W	R/W	R/W	R	R/W	R/W	R/W	R/W	R/W	R/W	R/W	R/W	R/W	R/W	R/W
Bit:	15	14	13	12	11	10	9	8	7	6	5	4	3	2	1	0
	—	TEDA			—	TEDB			—	TEHA		—	TEHB			
Initial value:	0	0	0	0	0	0	0	0	0	0	0	0	0	0	0	0
R/W:	R	R/W	R/W	R/W	R	R/W	R/W	R/W	R	R/W	R/W	R/W	R	R/W	R/W	R/W

Bit	Bit Name	Initial Value	R/W	Description
31	—	0	R	Reserved This bit is always read as 0. The write value should always be 0.
30 to 28	SAA	111	R/W	Space Property A These bits specify the space property of PCMCIA connected to the first half of the area. 000: ATA complement mode 001: Dynamic I/O bus sizing 010: 8-bit I/O space 011: 16-bit I/O space 100: 8-bit common memory 101: 16-bit common memory 110: 8-bit attribute memory 111: 16-bit attribute memory

Bit	Bit Name	Initial Value	R/W	Description
27	—	0	R	Reserved This bit is always read as 0. The write value should always be 0.
26 to 24	SAB	111	R/W	Space Property B These bits specify the space property of PCMCIA connected to the second half of the area. 000: ATA complement mode 001: Dynamic I/O bus sizing 010: 8-bit I/O space 011: 16-bit I/O space 100: 8-bit common memory 101: 16-bit common memory 110: 8-bit attribute memory 111: 16-bit attribute memory
23, 22	PCWA	00	R/W	PCMCIA Wait A These bits specify the number of wait cycles for low-speed PCMCIA, which is added to the number set by the IW bits in CSnWCR. The bit settings are selected when the access area of PCMCIA interface is the first half. 00: No wait cycle inserted 01: 15 wait cycles inserted 10: 30 wait cycles inserted 11: 50 wait cycles inserted
21, 20	PCWB	00	R/W	PCMCIA Wait B These bits specify the number of wait cycles for low-speed PCMCIA, which is added to the number set by the PCIW bits. The bit settings are selected when the access area of PCMCIA interface is the second half. 00: No wait cycle inserted 01: 15 wait cycles inserted 10: 30 wait cycles inserted 11: 50 wait cycles inserted

Bit	Bit Name	Initial Value	R/W	Description
19 to 16	PCIW	0000	R/W	<p>PCMCIA Insert Wait Cycle B</p> <p>These bits specify the number of wait cycles to be inserted. The bit settings are selected when the access area of PCMCIA interface is the second half. When the access area of PCMCIA interface is the first half, the number of wait cycles set by the IW bit in CSnWCR is selected.</p> <p>0000: No cycle inserted 0001: 1 cycle inserted 0010: 2 cycles inserted 0011: 3 cycles inserted 0100: 4 cycles inserted 0101: 5 cycles inserted 0110: 6 cycles inserted 0111: 7 cycles inserted 1000: 8 cycles inserted 1001: 9 cycles inserted 1010: 11 cycles inserted 1011: 13 cycles inserted 1100: 15 cycles inserted 1101: 17 cycles inserted 1110: 21 cycles inserted 1111: 25 cycles inserted</p>
15	—	0	R	<p>Reserved</p> <p>This bit is always read as 0. The write value should always be 0.</p>

Bit	Bit Name	Initial Value	R/W	Description
14 to 12	TEDA	000	R/W	<p>$\overline{OE}/\overline{WE}$ Assert Delay A</p> <p>These bits set the delay time from address output to $\overline{OE}/\overline{WE}$ assertion when the first half area is accessed with the connected PCMCIA interface.</p> <p>000: No wait cycle inserted 001: 1 wait cycle inserted 010: 2 wait cycles inserted 011: 3 wait cycles inserted 100: 6 wait cycles inserted 101: 9 wait cycles inserted 110: 12 wait cycles inserted 111: 15 wait cycles inserted</p>
11	—	0	R	<p>Reserved</p> <p>This bit is always read as 0. The write value should always be 0.</p>
10 to 8	TEDB	000	R/W	<p>$\overline{OE}/\overline{WE}$ Assert Delay B</p> <p>These bits set the delay time from address output to $\overline{OE}/\overline{WE}$ assertion when the second half area is accessed with the connected PCMCIA interface.</p> <p>000: No wait cycle inserted 001: 1 wait cycle inserted 010: 2 wait cycles inserted 011: 3 wait cycles inserted 100: 6 wait cycles inserted 101: 9 wait cycles inserted 110: 12 wait cycles inserted 111: 15 wait cycles inserted</p>
7	—	0	R	<p>Reserved</p> <p>This bit is always read as 0. The write value should always be 0.</p>

Bit	Bit Name	Initial Value	R/W	Description
6 to 4	TEHA	000	R/W	<p>$\overline{OE}/\overline{WE}$ Negation-Address Delay A</p> <p>These bits set the delay time from $\overline{OE}/\overline{WE}$ negation to address hold when the first half area is accessed with the connected PCMCIA interface.</p> <p>000: No wait cycle inserted 001: 1 wait cycle inserted 010: 2 wait cycles inserted 011: 3 wait cycles inserted 100: 6 wait cycles inserted 101: 9 wait cycles inserted 110: 12 wait cycles inserted 111: 15 wait cycles inserted</p>
3	—	0	R	<p>Reserved</p> <p>This bit is always read as 0. The write value should always be 0.</p>
2 to 0	TEHB	000	R/W	<p>$\overline{OE}/\overline{WE}$ Negation-Address Delay B</p> <p>These bits set the delay time from $\overline{OE}/\overline{WE}$ negation to address hold when the second half area is accessed with the connected PCMCIA interface.</p> <p>000: No wait cycle inserted 001: 1 wait cycle inserted 010: 2 wait cycles inserted 011: 3 wait cycles inserted 100: 6 wait cycles inserted 101: 9 wait cycles inserted 110: 12 wait cycles inserted 111: 15 wait cycles inserted</p>

11.5 Operation

11.5.1 Endian/Access Size and Data Alignment

This LSI supports both big and little endian modes. In big endian mode, the most significant byte (MSByte) in a string of byte data is stored at address 0, and in little endian mode, the least significant byte (LSByte) in a string of byte data is stored at address 0. The mode is specified by the external pin (MODE8 pin) at a power-on reset by the $\overline{\text{PRESET}}$ pin. At a power-on reset by the $\overline{\text{PRESET}}$ pin, big endian mode is specified when the MODE8 pin is low, and little endian mode is specified when the MODE8 pin is high.

The data bus width can be selected from 8, 16 and 32 bits for the normal memory interface. For the PCMCIA interface, a data bus width of 8 or 16 bits can be selected. Data is aligned according to the data bus width and endian mode of each device. Therefore, when the data bus width is smaller than the access size, multiple bus cycles are automatically generated to reach the access size. In this case, access is performed by incrementing the addresses corresponding to the bus width. For example, when a longword access is performed in the area with an 8-bit width with the SRAM interface, each address is incremented by one, and accesses are performed four times. In the 32-byte transfer, a total of 32-byte data is continuously transferred according to the specified bus width. The first access is performed on the data for which there was an access request, and the remaining accesses are performed on the subsequent data up to the nearest 32-byte boundary in a wraparound manner. The bus is not released during these transfers. This LSI automatically aligns data and changes the data length between interfaces.

In an 8- or 16-byte transfer, the LBSC executes the 4-byte accesses twice and four times respectively.

Tables 11.6 to 11.15 show the relationship between the device data width, endian mode and access size.

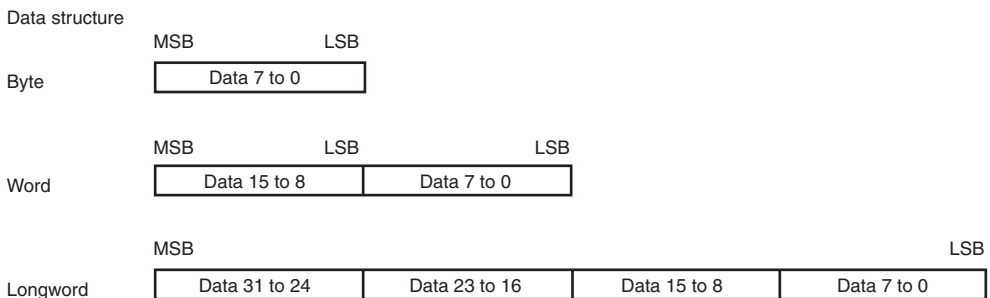


Table 11.6 64-Bit External Device/Big Endian Access and Data Alignment (1)

Operation			Data Bus							
Access Size	Address	No.	D63 to D56	D55 to D48	D47 to D40	D39 to D32	D31 to D24	D23 to D16	D15 to D8	D7 to D0
Byte	8n	1	Data 7 to 0	—	—	—	—	—	—	—
	8n + 1	1	—	Data 7 to 0	—	—	—	—	—	—
	8n + 2	1	—	—	Data 7 to 0	—	—	—	—	—
	8n + 3	1	—	—	—	Data 7 to 0	—	—	—	—
	8n + 4	1	—	—	—	—	Data 7 to 0	—	—	—
	8n + 5	1	—	—	—	—	—	Data 7 to 0	—	—
	8n + 6	1	—	—	—	—	—	—	Data 7 to 0	—
	8n + 7	1	—	—	—	—	—	—	—	Data 7 to 0
Word	8n	1	Data 15 to 8	Data 7 to 0	—	—	—	—	—	—
	8n + 2	1	—	—	Data 15 to 8	Data 7 to 0	—	—	—	—
	8n + 4	1	—	—	—	—	Data 15 to 8	Data 7 to 0	—	—
	8n + 6	1	—	—	—	—	—	—	Data 15 to 8	Data 7 to 0
Longword	8n	1	Data 31 to 24	Data 23 to 16	Data 15 to 8	Data 7 to 0	—	—	—	—
	8n + 4	1	—	—	—	—	Data 31 to 24	Data 23 to 16	Data 15 to 8	Data 7 to 0
32 Bytes*	8n	1	Data 63 to 56	Data 55 to 48	Data 47 to 40	Data 39 to 32	Data 31 to 24	Data 23 to 16	Data 15 to 8	Data 7 to 0
	8n + 8	2	Data 127 to 120	Data 119 to 112	Data 111 to 104	Data 103 to 96	Data 95 to 88	Data 87 to 80	Data 79 to 72	Data 71 to 64
	8n + 16	3	Data 191 to 184	Data 183 to 176	Data 175 to 168	Data 167 to 160	Data 159 to 152	Data 151 to 144	Data 143 to 136	Data 135 to 128
	8n + 24	4	Data 255 to 248	Data 247 to 240	Data 239 to 232	Data 231 to 224	Data 223 to 216	Data 215 to 208	Data 207 to 200	Data 199 to 192

Note: * This table shows an example when the access start address is on the 32-byte boundary. When the start address is not on the 32-byte boundary, accesses are performed up to immediately before the 32-byte boundary and the address is wrapped around to the previous 32-byte boundary.

Table 11.7 64-Bit External Device/Big Endian Access and Data Alignment (2)

Operation			Strobe Signal							
Access Size	Address	No.	$\overline{WE7}$	$\overline{WE6}$	$\overline{WE5}$	$\overline{WE4}$	$\overline{WE3}$	$\overline{WE2}$	$\overline{WE1}$	$\overline{WE0}$
Byte	8n	1	Asserted	—	—	—	—	—	—	—
	8n + 1	1	—	Asserted	—	—	—	—	—	—
	8n + 2	1	—	—	Asserted	—	—	—	—	—
	8n + 3	1	—	—	—	Asserted	—	—	—	—
	8n + 4	1	—	—	—	—	Asserted	—	—	—
	8n + 5	1	—	—	—	—	—	Asserted	—	—
	8n + 6	1	—	—	—	—	—	—	Asserted	—
	8n + 7	1	—	—	—	—	—	—	—	Asserted
Word	8n	1	Asserted	Asserted	—	—	—	—	—	—
	8n + 2	1	—	—	Asserted	Asserted	—	—	—	—
	8n + 4	1	—	—	—	—	Asserted	Asserted	—	—
	8n + 6	1	—	—	—	—	—	—	Asserted	Asserted
Longword	8n	1	Asserted	Asserted	Asserted	Asserted	—	—	—	—
	8n + 4	1	—	—	—	—	Asserted	Asserted	Asserted	Asserted
32 Bytes*	8n	1	Asserted	Asserted	Asserted	Asserted	Asserted	Asserted	Asserted	Asserted
	8n + 8	2	Asserted	Asserted	Asserted	Asserted	Asserted	Asserted	Asserted	Asserted
	8n + 16	3	Asserted	Asserted	Asserted	Asserted	Asserted	Asserted	Asserted	Asserted
	8n + 24	4	Asserted	Asserted	Asserted	Asserted	Asserted	Asserted	Asserted	Asserted

Note: * This table shows an example when the access start address is on the 32-byte boundary. When the start address is not on the 32-byte boundary, accesses are performed up to immediately before the 32-byte boundary and the address is wrapped around to the previous 32-byte boundary.

Table 11.8 32-Bit External Device/Big-Endian Access and Data Alignment

Operation			Data Bus				Strobe Signals			
Access Size	Address	No.	D31 to D24	D23 to D16	D15 to D8	D7 to D0	$\overline{WE3}$	$\overline{WE2}$	$\overline{WE1}$	$\overline{WE0}$
Byte	4n	1	Data 7 to 0	—	—	—	Asserted			
	4n + 1	1	—	Data 7 to 0	—	—	Asserted			
	4n + 2	1	—	—	Data 7 to 0	—	Asserted			
	4n + 3	1	—	—	—	Data 7 to 0	Asserted			
Word	4n	1	Data 15 to 8	Data 7 to 0	—	—	Asserted	Asserted		
	4n + 2	1	—	—	Data 15 to 8	Data 7 to 0		Asserted	Asserted	
Longword	4n	1	Data 31 to 24	Data 23 to 16	Data 15 to 8	Data 7 to 0	Asserted	Asserted	Asserted	Asserted
32 Bytes*	8n	1	Data 31 to 24	Data 23 to 16	Data 15 to 8	Data 7 to 0	Asserted	Asserted	Asserted	Asserted
	8n + 4	2	Data 63 to 56	Data 55 to 48	Data 47 to 40	Data 39 to 32	Asserted	Asserted	Asserted	Asserted
	8n + 8	3	Data 95 to 88	Data 87 to 80	Data 79 to 72	Data 71 to 64	Asserted	Asserted	Asserted	Asserted

	8n + 28	8	Data 255 to 248	Data 247 to 240	Data 239 to 232	Data 231 to 224	Asserted	Asserted	Asserted	Asserted

Note: * This table shows an example when the access start address is on the 32-byte boundary. When the start address is not on the 32-byte boundary, accesses are performed up to immediately before the 32-byte boundary and the address is wrapped around to the previous 32-byte boundary.

Table 11.9 16-Bit External Device/Big-Endian Access and Data Alignment

Operation		Data Bus					Strobe Signals			
Access Size	Address	No.	D31 to D24	D23 to D16	D15 to D8	D7 to D0	$\overline{WE3}$	$\overline{WE2}$	$\overline{WE1}$	$\overline{WE0}$
Byte	2n	1	—	—	Data 7 to 0	—			Asserted	
	2n + 1	1	—	—	—	Data 7 to 0				Asserted
Word	2n	1	—	—	Data 15 to 8	Data 7 to 0			Asserted	Asserted
Longword	4n	1	—	—	Data 31 to 24	Data 23 to 16			Asserted	Asserted
	4n + 2	2	—	—	Data 15 to 8	Data 7 to 0			Asserted	Asserted
32 Bytes	8n	1	—	—	Data 15 to 8	Data 7 to 0			Asserted	Asserted
	8n + 2	2	—	—	Data 31 to 24	Data 23 to 16			Asserted	Asserted
	8n + 4	3	—	—	Data 47 to 40	Data 39 to 32			Asserted	Asserted

	8n + 30	16	—	—	Data 255 to 248	Data 247 to 240			Asserted	Asserted

Note: * This table shows an example when the access start address is on the 32-byte boundary. When the start address is not on the 32-byte boundary, accesses are performed up to immediately before the 32-byte boundary and the address is wrapped around to the previous 32-byte boundary.

Table 11.10 8-Bit External Device/Big-Endian Access and Data Alignment

Operation		Data Bus					Strobe Signals			
Access Size	Address	No.	D31 to D24	D23 to D16	D15 to D8	D7 to D0	$\overline{WE3}$	$\overline{WE2}$	$\overline{WE1}$	$\overline{WE0}$
Byte	n	1	—	—	—	Data 7 to 0				Asserted
Word	2n	1	—	—	—	Data 15 to 8				Asserted
	2n + 1	2	—	—	—	Data 7 to 0				Asserted
Longword	4n	1	—	—	—	Data 31 to 24				Asserted
	4n + 1	2	—	—	—	Data 23 to 16				Asserted
	4n + 2	3	—	—	—	Data 15 to 8				Asserted
	4n + 3	4	—	—	—	Data 7 to 0				Asserted
32 Bytes*	8n	1	—	—	—	Data 7 to 0				Asserted
	8n + 1	2	—	—	—	Data 15 to 8				Asserted
	8n + 2	3	—	—	—	Data 23 to 16				Asserted

	8n + 31	32	—	—	—	Data 255 to 248				Asserted

Note: * This table shows an example when the access start address is on the 32-byte boundary. When the start address is not on the 32-byte boundary, accesses are performed up to immediately before the 32-byte boundary and the address is wrapped around to the previous 32-byte boundary.

Table 11.11 64-Bit External Device/Little Endian Access and Data Alignment (1)

Operation			Data Bus							
Access Size	Address	No.	D63 to D56	D55 to D48	D47 to D40	D39 to D32	D31 to D24	D23 to D16	D15 to D8	D7 to D0
Byte	8n	1	—	—	—	—	—	—	—	Data 7 to 0
	8n + 1	1	—	—	—	—	—	—	Data 7 to 0	—
	8n + 2	1	—	—	—	—	—	Data 7 to 0	—	—
	8n + 3	1	—	—	—	—	Data 7 to 0	—	—	—
	8n + 4	1	—	—	—	Data 7 to 0	—	—	—	—
	8n + 5	1	—	—	Data 7 to 0	—	—	—	—	—
	8n + 6	1	—	Data 7 to 0	—	—	—	—	—	—
	8n + 7	1	Data 7 to 0	—	—	—	—	—	—	—
Word	8n	1	—	—	—	—	—	—	Data 15 to 8	Data 7 to 0
	8n + 2	1	—	—	—	—	Data 15 to 8	Data 7 to 0	—	—
	8n + 4	1	—	—	Data 15 to 8	Data 7 to 0	—	—	—	—
	8n + 6	1	Data 15 to 8	Data 7 to 0	—	—	—	—	—	—
Longword	8n	1	—	—	—	—	Data 31 to 24	Data 23 to 16	Data 15 to 8	Data 7 to 0
	8n + 4	1	Data 31 to 24	Data 23 to 16	Data 15 to 8	Data 7 to 0	—	—	—	—
32 Bytes*	8n	1	Data 63 to 56	Data 55 to 48	Data 47 to 40	Data 39 to 32	Data 31 to 24	Data 23 to 16	Data 15 to 8	Data 7 to 0
	8n + 8	2	Data 127 to 120	Data 119 to 112	Data 111 to 104	Data 103 to 96	Data 95 to 88	Data 87 to 80	Data 79 to 72	Data 71 to 64
	8n + 16	3	Data 191 to 184	Data 183 to 176	Data 175 to 168	Data 167 to 160	Data 159 to 152	Data 151 to 144	Data 143 to 136	Data 135 to 128
	8n + 24	4	Data 255 to 248	Data 247 to 240	Data 239 to 232	Data 231 to 224	Data 223 to 216	Data 215 to 208	Data 207 to 200	Data 199 to 192

Note: * This table shows an example when the access start address is on the 32-byte boundary. When the start address is not on the 32-byte boundary, accesses are performed up to immediately before the 32-byte boundary and the address is wrapped around to the previous 32-byte boundary.

Table 11.12 64-Bit External Device/Little Endian Access and Data Alignment (2)

Operation			Strobe Signal							
Access Size	Address	No.	$\overline{WE7}$	$\overline{WE6}$	$\overline{WE5}$	$\overline{WE4}$	$\overline{WE3}$	$\overline{WE2}$	$\overline{WE1}$	$\overline{WE0}$
Byte	8n	1	—	—	—	—	—	—	—	Asserted
	8n + 1	1	—	—	—	—	—	—	Asserted	—
	8n + 2	1	—	—	—	—	—	Asserted	—	—
	8n + 3	1	—	—	—	—	Asserted	—	—	—
	8n + 4	1	—	—	—	Asserted	—	—	—	—
	8n + 5	1	—	—	Asserted	—	—	—	—	—
	8n + 6	1	—	Asserted	—	—	—	—	—	—
	8n + 7	1	Asserted	—	—	—	—	—	—	—
Word	8n	1	—	—	—	—	—	—	Asserted	Asserted
	8n + 2	1	—	—	—	—	Asserted	Asserted	—	—
	8n + 4	1	—	—	Asserted	Asserted	—	—	—	—
	8n + 6	1	Asserted	Asserted	—	—	—	—	—	—
Longword	8n	1	—	—	—	—	Asserted	Asserted	Asserted	Asserted
	8n + 4	1	Asserted	Asserted	Asserted	Asserted	—	—	—	—
32 Bytes*	8n	1	Asserted	Asserted	Asserted	Asserted	Asserted	Asserted	Asserted	Asserted
	8n + 8	2	Asserted	Asserted	Asserted	Asserted	Asserted	Asserted	Asserted	Asserted
	8n + 16	3	Asserted	Asserted	Asserted	Asserted	Asserted	Asserted	Asserted	Asserted
	8n + 24	4	Asserted	Asserted	Asserted	Asserted	Asserted	Asserted	Asserted	Asserted

Note: * This table shows an example when the access start address is on the 32-byte boundary. When the start address is not on the 32-byte boundary, accesses are performed up to immediately before the 32-byte boundary and the address is wrapped around to the previous 32-byte boundary.

Table 11.13 32-Bit External Device/Little-Endian Access and Data Alignment

Operation			Data Bus				Strobe Signals			
Access Size	Address	No.	D31 to D24	D23 to D16	D15 to D8	D7 to D0	$\overline{WE3}$	$\overline{WE2}$	$\overline{WE1}$	$\overline{WE0}$
Byte	4n	1	—	—	—	Data 7 to 0				Asserted
	4n + 1	1	—	—	Data 7 to 0	—			Asserted	
	4n + 2	1	—	Data 7 to 0	—	—		Asserted		
	4n + 3	1	Data 7 to 0	—	—	—	Asserted			
Word	4n	1	—	—	Data 15 to 8	Data 7 to 0			Asserted	Asserted
	4n + 2	1	Data 15 to 8	Data 7 to 0	—	—	Asserted	Asserted		
Longword	4n	1	Data 31 to 24	Data 23 to 16	Data 15 to 8	Data 7 to 0	Asserted	Asserted	Asserted	Asserted
32 Bytes*	8n	1	Data 31 to 24	Data 23 to 16	Data 15 to 8	Data 7 to 0	Asserted	Asserted	Asserted	Asserted
	8n + 4	2	Data 63 to 56	Data 55 to 48	Data 47 to 40	Data 39 to 32	Asserted	Asserted	Asserted	Asserted
	8n + 8	3	Data 95 to 88	Data 87 to 80	Data 79 to 72	Data 71 to 64	Asserted	Asserted	Asserted	Asserted

	8n + 28	8	Data 255 to 248	Data 247 to 240	Data 239 to 232	Data 231 to 224	Asserted	Asserted	Asserted	Asserted

Note: * This table shows an example when the access start address is on the 32-byte boundary. When the start address is not on the 32-byte boundary, accesses are performed up to immediately before the 32-byte boundary and the address is wrapped around to the previous 32-byte boundary.

Table 11.14 16-Bit External Device/Little-Endian Access and Data Alignment

Operation		Data Bus					Strobe Signals			
Access Size	Address	No.	D31 to D24	D23 to D16	D15 to D8	D7 to D0	$\overline{WE3}$	$\overline{WE2}$	$\overline{WE1}$	$\overline{WE0}$
Byte	2n	1	—	—	—	Data 7 to 0				Asserted
	2n + 1	1	—	—	Data 7 to 0	—				Asserted
Word	2n	1	—	—	Data 15 to 8	Data 7 to 0			Asserted	Asserted
Longword	4n	1	—	—	Data 15 to 8	Data 7 to 0			Asserted	Asserted
	4n + 2	2	—	—	Data 31 to 24	Data 23 to 16			Asserted	Asserted
32 Bytes*	8n	1	—	—	Data 15 to 8	Data 7 to 0			Asserted	Asserted
	8n + 2	2	—	—	Data 31 to 24	Data 23 to 16			Asserted	Asserted
	8n + 4	3	—	—	Data 47 to 40	Data 39 to 32			Asserted	Asserted

	8n + 30	16	—	—	Data 255 to 248	Data 247 to 240			Asserted	Asserted

Note: * This table shows an example when the access start address is on the 32-byte boundary. When the start address is not on the 32-byte boundary, accesses are performed up to immediately before the 32-byte boundary and the address is wrapped around to the previous 32-byte boundary.

Table 11.15 8-Bit External Device/Little-Endian Access and Data Alignment

Operation			Data Bus				Strobe Signals			
Access Size	Address	No.	D31 to D24	D23 to D16	D15 to D8	D7 to D0	$\overline{WE3}$	$\overline{WE2}$	$\overline{WE1}$	$\overline{WE0}$
Byte	n	1	—	—	—	Data 7 to 0				Asserted
Word	2n	1	—	—	—	Data 7 to 0				Asserted
	2n + 1	2	—	—	—	Data 15 to 8				Asserted
Longword	4n	1	—	—	—	Data 7 to 0				Asserted
	4n + 1	2	—	—	—	Data 15 to 8				Asserted
	4n + 2	3	—	—	—	Data 23 to 16				Asserted
	4n + 3	4	—	—	—	Data 31 to 24				Asserted
32 Bytes*	8n	1	—	—	—	Data 7 to 0				Asserted
	8n + 1	2	—	—	—	Data 15 to 8				Asserted
	8n + 2	3	—	—	—	Data 23 to 16				Asserted

	8n + 31	32				Data 255 to 248				Asserted

Note: * This table shows an example when the access start address is on the 32-byte boundary. When the start address is not on the 32-byte boundary, accesses are performed up to immediately before the 32-byte boundary and the address is wrapped around to the previous 32-byte boundary.

11.5.2 Areas

(1) Area 0

Area 0 is an area where bits 28 to 26 in the local bus address are 000.

The interface that can be set for this area is the SRAM, burst ROM or MPX interface.

A bus width of 8, 16, 32, or 64 bits is selectable by external pins MODE6 and MODE5 at a power-on reset. For details, see section 11.3.2, Memory Bus Width.

When area 0 is accessed, the $\overline{CS0}$ signal is asserted. In addition, the \overline{RD} signal, which can be used as \overline{OE} , and write control signals $\overline{WE0}$ to $\overline{WE7}$ are asserted.

For the number of bus cycles, 0 to 25 wait cycles to be inserted can be selected with CS0WCR.

When the burst ROM interface is used, the number of a burst pitch is selectable in the range from 0 to 7 with the BW bits in CS0BCR.

Any number of wait cycles can be inserted in each bus cycle through the external wait pin (\overline{RDY}). (when the number of inserted cycles is set to 0, the \overline{RDY} signal is ignored.)

When the burst ROM interface is used, the number of transfer cycles for a burst cycle is selected in the range from 2 to 9 according to the number of wait cycles.

The setup/hold cycle of the address, the assert delay cycle of the read/write strobe signals for $\overline{CS0}$ assertion and the $\overline{CS0}$ negate delay cycle for the read/write strobe signals negation can be set in the range from 0 to 7 cycles by CS0WCR. The \overline{BS} hold cycles can be set to 1 or 2 when the RDS bits in CS0WCR are not 000 in reading and the WTS bits in CS0WCR are not 000 in writing.

(2) Area 1

Area 1 is an area where bits 28 to 26 in the local bus address are 001.

The interface that can be set for this area is the SRAM, burst ROM, MPX and byte-control SRAM interface.

The bus width can be selected from 8, 16, 32 and 64 bits by bits SZ in CS1BCR. When the MPX interface is used, the bus width should be set to 32 or 64 bits with bits SZ in CS1BCR. When the byte control SRAM interface is used, the bus width should be set to 16 or 32 bits.

When area 1 is accessed, the $\overline{CS1}$ signal is asserted. The \overline{RD} signal, that can be used as \overline{OE} , and write control signals $\overline{WE0}$ to $\overline{WE7}$ are also asserted.

For the number of bus cycles, 0 to 25 wait cycles to be inserted can be selected by CS1WCR.

When the burst ROM interface is used, the number of a burst pitch is selectable in the range from 0 to 7 with the BW bits in CS1BCR.

Any number of wait cycles can be inserted in each bus cycle through the external wait pin ($\overline{\text{RDY}}$). (when no cycles are inserted, the $\overline{\text{RDY}}$ signal is ignored.)

The setup/hold time of the address, the assert delay cycle of the read/write strobe signals for $\overline{\text{CS1}}$ assertion and the $\overline{\text{CS1}}$ negate delay cycle for the read/write strobe signals negation can be set in the range from 0 to 7 cycles by CS1WCR. The $\overline{\text{BS}}$ hold cycles can be set to 1 or 2 when the RDS bits in CS1WCR are not 000 in reading and the WTS bits in CS1WCR are not 000 in writing.

(3) Area 2

Area 2 is an area where bits 28 to 26 in the local bus address are 010.

The interface that can be set for this area is the SRAM, MPX, or burst ROM interface.

When the SRAM interface is used, a bus width of 8, 16, 32, 64 bits is selectable by bits SZ in CS2BCR. When the MPX interface is used, a bus width of 32 or 64 bits should be selected by bits SZ in CS2BCR.

When area 2 is accessed, the $\overline{\text{CS2}}$ signal is asserted.

In the case where the SRAM interface is set, the $\overline{\text{RD}}$ signal, which can be used as $\overline{\text{OE}}$, and write control signals $\overline{\text{WE0}}$ to $\overline{\text{WE7}}$ are asserted.

For the number of bus cycles, 0 to 25 wait cycles inserted can be selected by CS2WCR.

When the burst ROM interface is used, the number of a burst pitch is selectable in the range from 0 to 7 with the BW bits in CS2WCR.

Any number of wait cycles can be inserted in each bus cycle through the external wait pin ($\overline{\text{RDY}}$). (when no cycles are inserted, the $\overline{\text{RDY}}$ signal is ignored.)

The setup/hold time of the address, the assert delay cycle of the read/write strobe signals for $\overline{\text{CS2}}$ assertion and the $\overline{\text{CS2}}$ negate delay cycle for the read/write strobe signals negation can be set in the range from 0 to 7 cycles by CS2WCR. The $\overline{\text{BS}}$ hold cycles can be set to 1 or 2 when the RDS bits in CS2WCR are not 000 in reading and the WTS bits in CS2WCR are not 000 in writing.

(4) Area 3

Area 3 is an area where bits 28 to 26 in the local bus address are 011.

The interface that can be set for this area is the SRAM, MPX, or burst ROM interface.

A bus width of 8, 16, 32, or 64 bits is selectable by bits SZ in CS3BCR. When the MPX interface is used, a bus width of 32 or 64 bits should be selected by the SZ bits in CS3BCR.

When area 3 is accessed, the $\overline{\text{CS3}}$ signal is asserted. When the SRAM interface is set, the $\overline{\text{RD}}$ signal, which can be used as $\overline{\text{OE}}$, and write control signals $\overline{\text{WE0}}$ to $\overline{\text{WE7}}$ are asserted.

For the number of bus cycles, 0 to 25 wait cycles inserted can be selected by CS3WCR.

When the burst ROM interface is used, the number of a burst pitch is selectable in the range from 0 to 7 with the BW bits in CS3BCR.

Any number of wait cycles can be inserted in each bus cycle through the external wait pin ($\overline{\text{RDY}}$). (when no cycles are inserted, the $\overline{\text{RDY}}$ signal is ignored.)

The setup/hold time of the address, the assert delay cycle of the read/write strobe signals for $\overline{\text{CS3}}$ assertion and the $\overline{\text{CS3}}$ negate delay cycle for the read/write strobe signals negation can be set in the range from 0 to 7 cycles by CS3WCR. The $\overline{\text{BS}}$ hold cycles can be set to 1 or 2 when the RDS bits in CS3WCR are not 000 in reading and the WTS bits in CS3WCR are not 000 in writing.

(5) Area 4

Area 4 is an area where bits 28 to 26 in the local bus address are 100.

The interface that can be set for this area is the SRAM, MPX, byte control RAM, and burst ROM interface.

A bus width of 8, 16, 32, or 64 bits is selectable by bits SZ in CS4BCR. When the MPX interface is used, a bus width of 32 bits should be selected through bits SZ in CS4BCR. When the byte control SRAM interface is used, select a bus width of 16, 32, or 64 bits. For details, see section 11.3.2, Memory Bus Width.

When area 4 is accessed, the $\overline{\text{CS4}}$ signal is asserted.

When the SRAM interface is set, the $\overline{\text{RD}}$ signal, which can be used as $\overline{\text{OE}}$, and write control signals $\overline{\text{WE0}}$ to $\overline{\text{WE7}}$ are asserted. For details, see section 11.5.8, Wait Cycles between Access Cycles.

For the number of bus cycles, 0 to 25 wait cycles inserted can be selected by CS4WCR.

When the burst ROM interface is used, the number of a burst pitch is selectable in the range from 0 to 7 with the BW bits in CS4BCR.

Any number of wait cycles can be inserted in each bus cycle through the external wait pin ($\overline{\text{RDY}}$). (when no cycles are inserted, the $\overline{\text{RDY}}$ signal is ignored.)

The setup/hold time of the address, the assert delay cycle of the read/write strobe signals for $\overline{\text{CS4}}$ assertion and the $\overline{\text{CS4}}$ negate delay cycle for the read/write strobe signals negation can be set in the range from 0 to 7 cycles by CS4WCR. The $\overline{\text{BS}}$ hold cycles can be set to 1 or 2 when the RDS bits in CS4WCR are not 000 in reading and the WTS bits in CS4WCR are not 000 in writing.

(6) Area 5

Area 5 is an area where bits 28 to 26 in the local bus address are 101.

When the SRAM or burst ROM interface is used, a bus width of 8, 16, 32, or 64 bits is selectable by bits SZ in CS5BCR. When the MPX interface is used, a bus width of 32 bits should be selected by bits SZ in CS5BCR. When the PCMCIA interface is used, select a bus width of 8 or 16 bits with SZ in CS5BCR. For details, see section 11.3.2, Memory Bus Width.

While the SRAM interface is used, the $\overline{\text{CS5}}$ signal is asserted when area 5 is accessed. The $\overline{\text{RD}}$ signal, which can be used as $\overline{\text{OE}}$, and write control signals $\overline{\text{WE0}}$ to $\overline{\text{WE7}}$ are also asserted. While the PCMCIA interface is used, the $\overline{\text{CE1A}}$ and $\overline{\text{CE2A}}$ signals, the $\overline{\text{RD}}$ signal, (which can be used as $\overline{\text{OE}}$), the $\overline{\text{WE0}}$, $\overline{\text{WE1}}$, $\overline{\text{WE2}}$, and $\overline{\text{WE3}}$ signals, (which can be used as, $\overline{\text{REG}}$, $\overline{\text{WE}}$, $\overline{\text{IORD}}$, and $\overline{\text{IOWR}}$, respectively) are asserted.

For the number of bus cycles, 0 to 25 wait cycles inserted by CS5WCR can be selected.

When the burst ROM interface is used, the number of a burst pitch is selectable the range from 0 to 7 with the BW bits in CS5BCR.

Any number of wait cycles can be inserted in each bus cycle through the external wait pin ($\overline{\text{RDY}}$). (when no cycles are inserted, the $\overline{\text{RDY}}$ signal is ignored.)

The setup/hold time of the address, the assert delay cycle of the read/write strobe signals for $\overline{\text{CS5}}$ assertion and the $\overline{\text{CS5}}$ negate delay cycle for the read/write strobe signals negation can be set in the range from 0 to 7 cycles by CS5WCR. The $\overline{\text{BS}}$ hold cycles can be set to 1 or 2 when the RDS bits in CS5WCR are not 000 in reading and the WTS bits in CS5WCR are not 000 in writing.

For the PCMCIA interface, the setup/hold time of the address, $\overline{\text{CE1A}}$ and $\overline{\text{CE2A}}$ to the read/write strobe signal can be specified in the range from 0 to 15 cycles by bits TEDA/B and TEHA/B in

CS5PCR. In addition, the number of wait cycles can be specified in the range from 0 to 50 cycles by the PCWA/B bit. The number of wait cycles specified by CS5PCR is added to the value specified by bits IW3 to IW0 in CS5WCR or bits PCIW3 to PCIW0 in CS5PCR.

(7) Area 6

Area 6 is an area where bits 28 to 26 in the local bus address are 110.

The interface that can be set for this area is the SRAM, MPX, burst ROM, and PCMCIA interface.

When the SRAM interface is used, a bus width of 8, 16, 32, or 64 bits is selectable by bits SZ in CS6BCR. When the MPX interface is used, a bus width of 32 bits should be selected by bits SZ in CS6BCR. When the PCMCIA interface is used, select a bus width of 8 or 16 bits with SZ in CS6BCR. For details, see section 11.3.2, Memory Bus Width.

When the SRAM interface is used, the $\overline{CS6}$ signal is asserted when area 6 is accessed. The \overline{RD} signal, which can be used as \overline{OE} , and write control signals $\overline{WE0}$ to $\overline{WE7}$ are also asserted. When the PCMCIA interface is used, the $\overline{CE1B}$ and $\overline{CE2B}$ signals, the \overline{RD} signal (which can be used as \overline{OE}), and the $\overline{WE0}$, $\overline{WE1}$, $\overline{WE2}$, and $\overline{WE3}$ signals which can be used as \overline{REG} , \overline{WE} , \overline{IORD} , and \overline{IOWR} , respectively are asserted.

For the number of bus cycles, 0 to 25 wait cycles inserted by CS6WCR can be selected.

When the burst ROM interface is used, the number of a burst pitch is selectable in the range from 0 to 7 with the BW bits in CS6BCR.

Any number of wait cycles can be inserted in each bus cycle through the external wait pin (\overline{RDY}). (when no cycles are inserted, the \overline{RDY} signal is ignored.)

The setup/hold time of the address, the assert delay cycle of the read/write strobe signals for $\overline{CS6}$ assertion and the $\overline{CS6}$ negate delay cycle for the read/write strobe signals negation can be set in the range from 0 to 7 cycles by CS6WCR. The \overline{BS} hold cycles can be set to 1 or 2 when the RDS bits in CS6WCR are not 000 in reading and the WTS bits in CS6WCR are not 000 in writing.

For the PCMCIA interface, the setup/hold time of the address, $\overline{CE1B}$ and $\overline{CE2B}$ to the read/write strobe signal can be specified within a range from 0 to 15 cycles by bits TEDA/B and TEHA/B in CS6PCR. In addition, the number of wait cycles can be specified in the range from 0 to 50 cycles by the PCWA/B bit. The number of wait cycles specified by CS6PCR is added to the value specified by bits IW3 to IW0 in CS6WCR or bits PCIW3 to PCIW0 in CS6PCR.

11.5.3 SRAM interface

(1) Basic Timing

The strobe signals for the SRAM interface in this LSI are output primarily based on the SRAM connection. Figure 11.5 shows the basic timing of the SRAM interface. Normal access without wait cycles is completed in two cycles. The \overline{BS} signal is asserted for one or two cycles to indicate the start of a bus cycle. The \overline{CSn} signal is asserted at the rising edge of the clock in the T1 state, and negated at the next rising edge of the clock in the T2 state. Therefore, there is no negation period in accesses at minimum pitch.

In reading, an access size is not specified. The output of an access address on the address pins (A25 to A0) is correct, however, since the access size is not specified, 32-bit data is always output when a 32-bit device is in use, and 16-bit data is output when a 16-bit device is in use. During writing, only the \overline{WE} signal corresponding to the byte to be written is asserted. For details, see section 11.5.1, Endian/Access Size and Data Alignment.

In 32-byte transfer, a total of 32 bytes are transferred continuously according to the bus width set. The first access is performed on the data for which an access request is issued, and the remaining accesses are performed in wraparound method according to the set bus width. The bus is not released during this transfer.

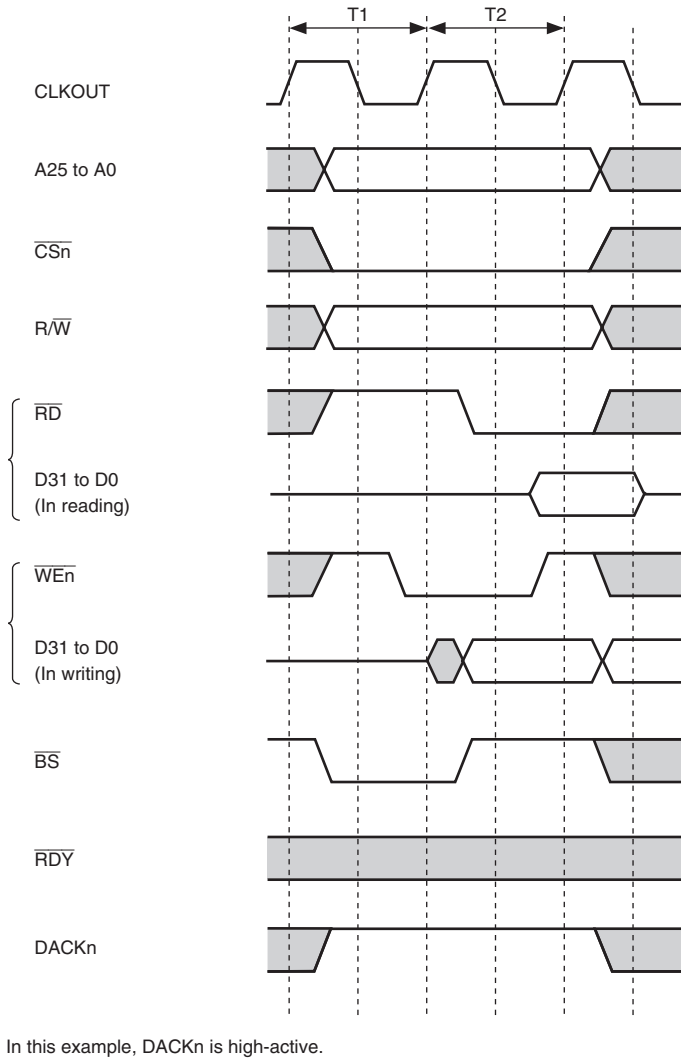


Figure 11.5 Basic Timing of SRAM Interface

Figures 11.6 to 11.8 show examples of connections to SRAM with 32-, 16- and 8-bit data width, respectively.

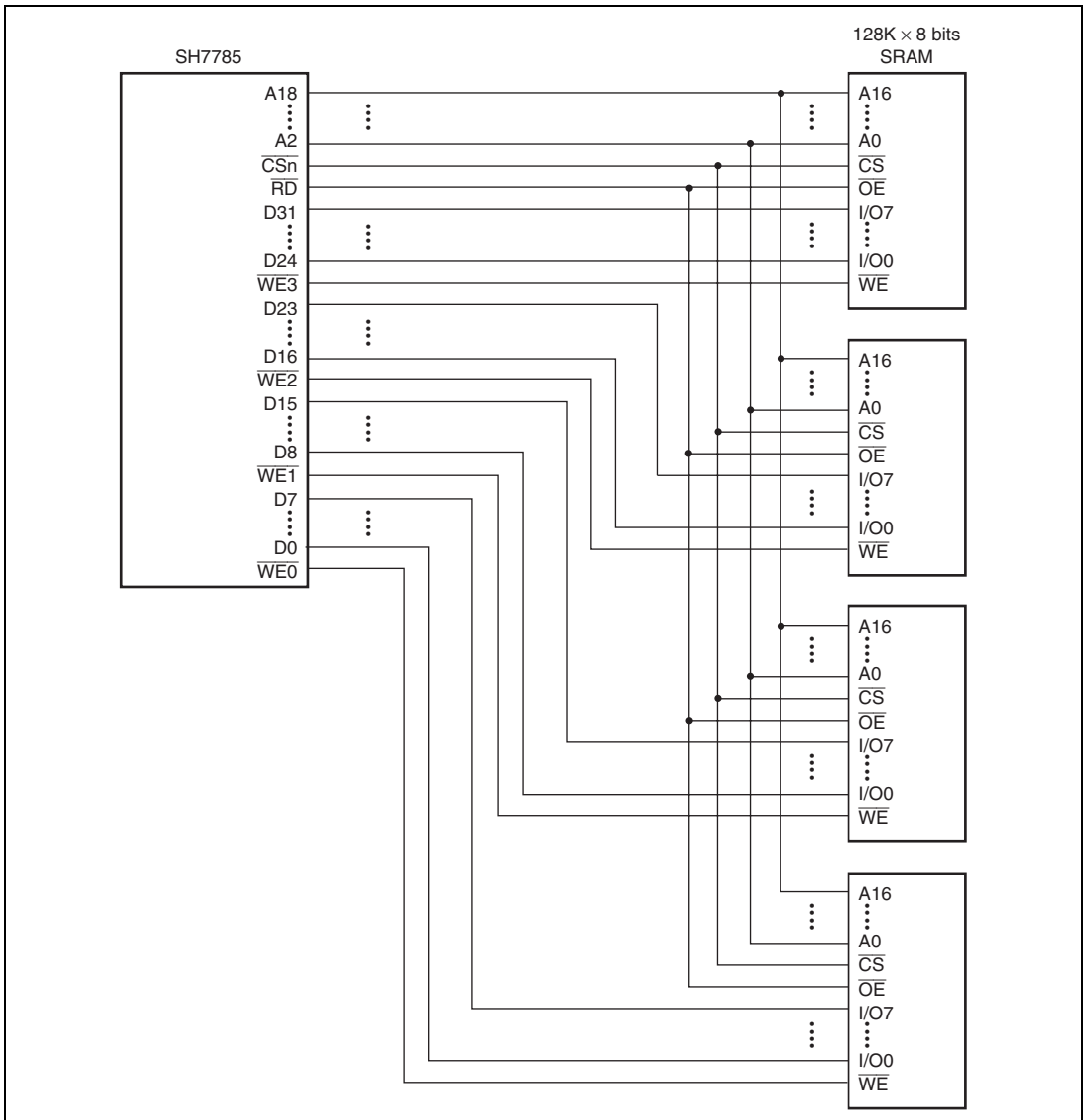


Figure 11.6 Example of 32-Bit Data Width SRAM Connection

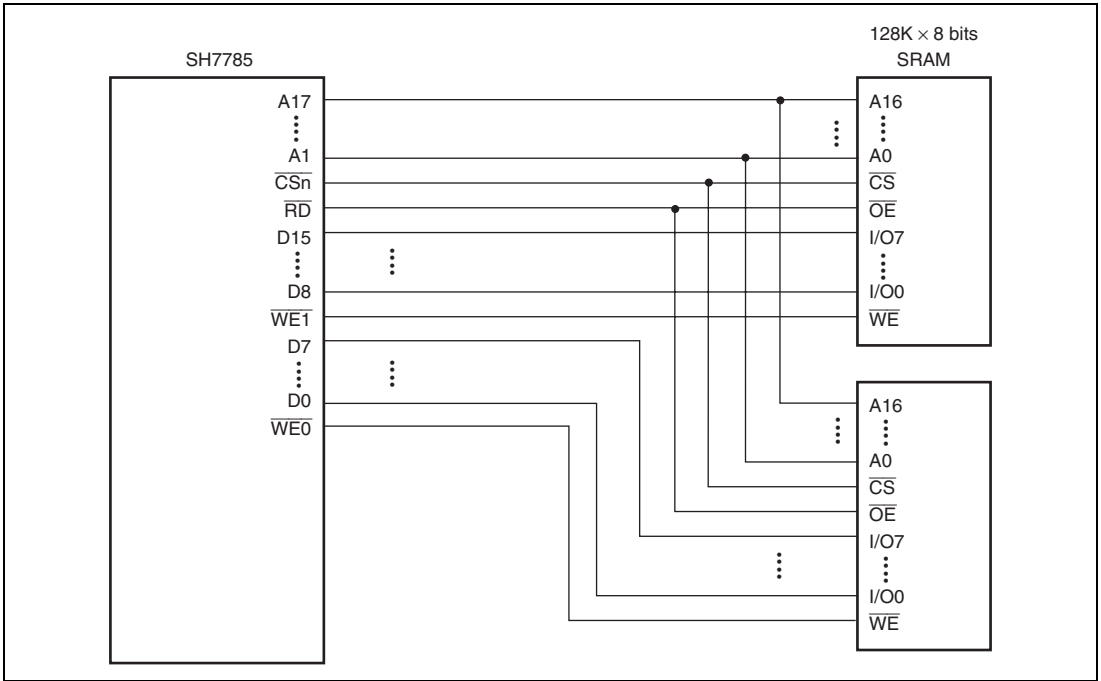


Figure 11.7 Example of 16-Bit Data Width SRAM Connection

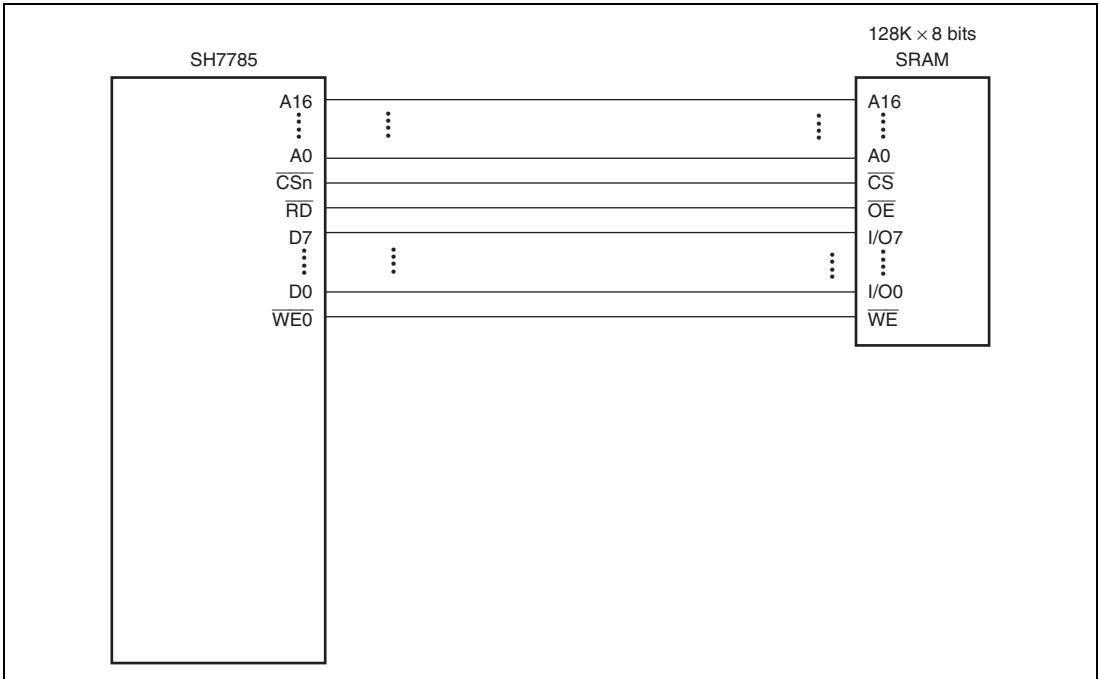


Figure 11.8 Example of 8-Bit Data Width SRAM Connection

(2) Wait Cycle Control

Wait cycle insertion for the SRAM interface can be controlled by CSnWCR. If the IW bits in CSnWCR are set to a value other than 0, a software wait is inserted in accordance with the wait control bits. For details, see section 11.4.4, CSn Wait Control Register (CSnWCR).

The specified number of Tw cycles is inserted as wait cycles in accordance with the CSnWCR setting. The wait cycle insertion timing is shown in figure 11.9.

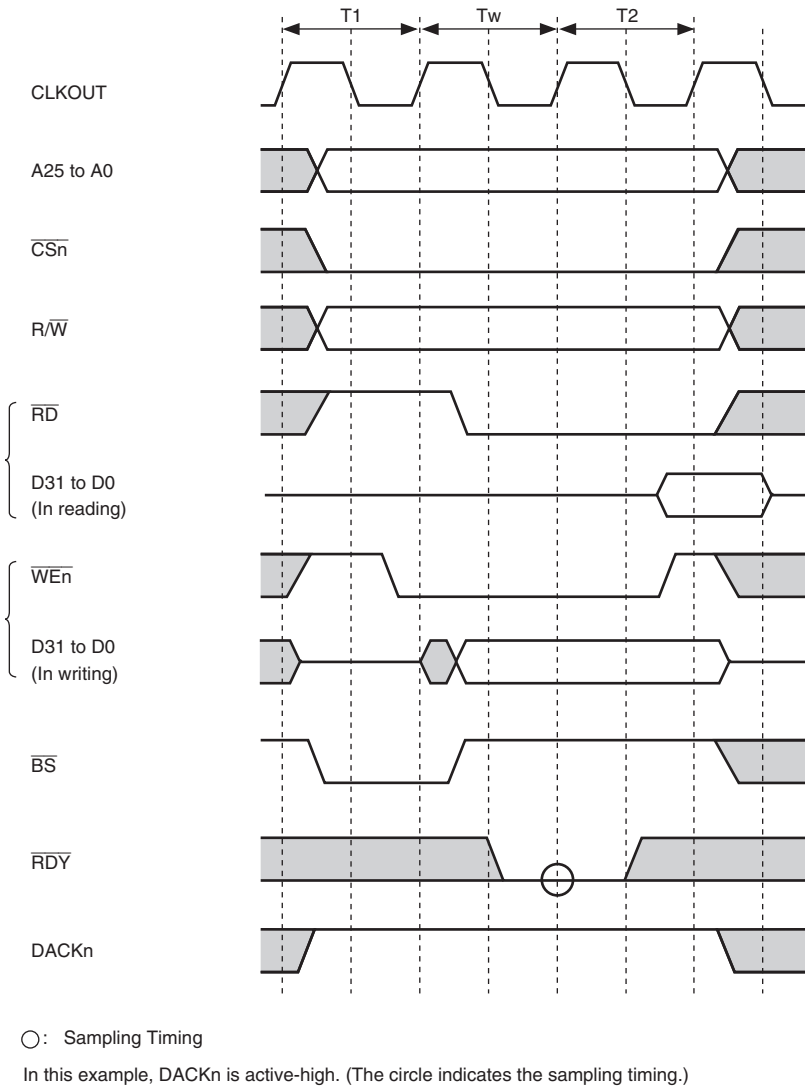


Figure 11.9 SRAM Interface Wait Timing (Software Wait Only)

When software wait insertion is specified by CSnWCR, the external wait input signal, $\overline{\text{RDY}}$, is also sampled. The $\overline{\text{RDY}}$ signal sampling timing is shown in figure 11.10, where a single wait cycle is specified as a software wait. The $\overline{\text{RDY}}$ signal is sampled at the transition from the Tw state to the T2 state. Therefore, the assertion of the $\overline{\text{RDY}}$ signal has no effect in the T1 cycle or in the first Tw cycle. The $\overline{\text{RDY}}$ signal is sampled on the rising edge of the clock.

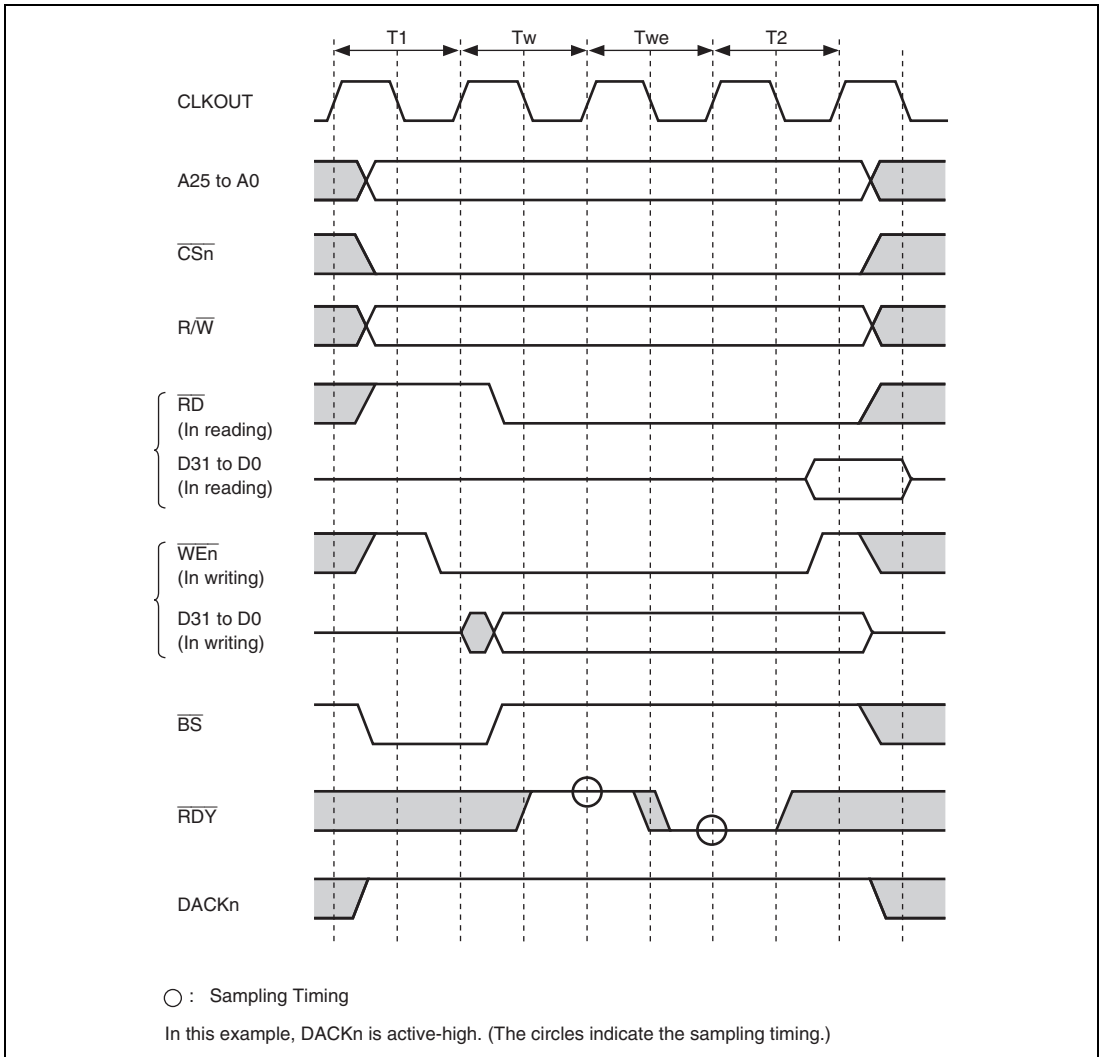


Figure 11.10 SRAM Interface Wait Timing
(Wait Cycle Insertion by $\overline{\text{RDY}}$ Signal, $\overline{\text{RDY}}$ Signal Is Synchronous Input)

(3) Read-Strobe/Write-Strobe Timing

When the SRAM interface is used, the strobe signal negation timing in reading can be specified with the RDSPL bit in CSnBCR. For details of settings, see section 11.4.3, CSn Bus Control Register (CSnBCR). The RDSPL bit should be cleared to 0 when a byte control SRAM is specified.

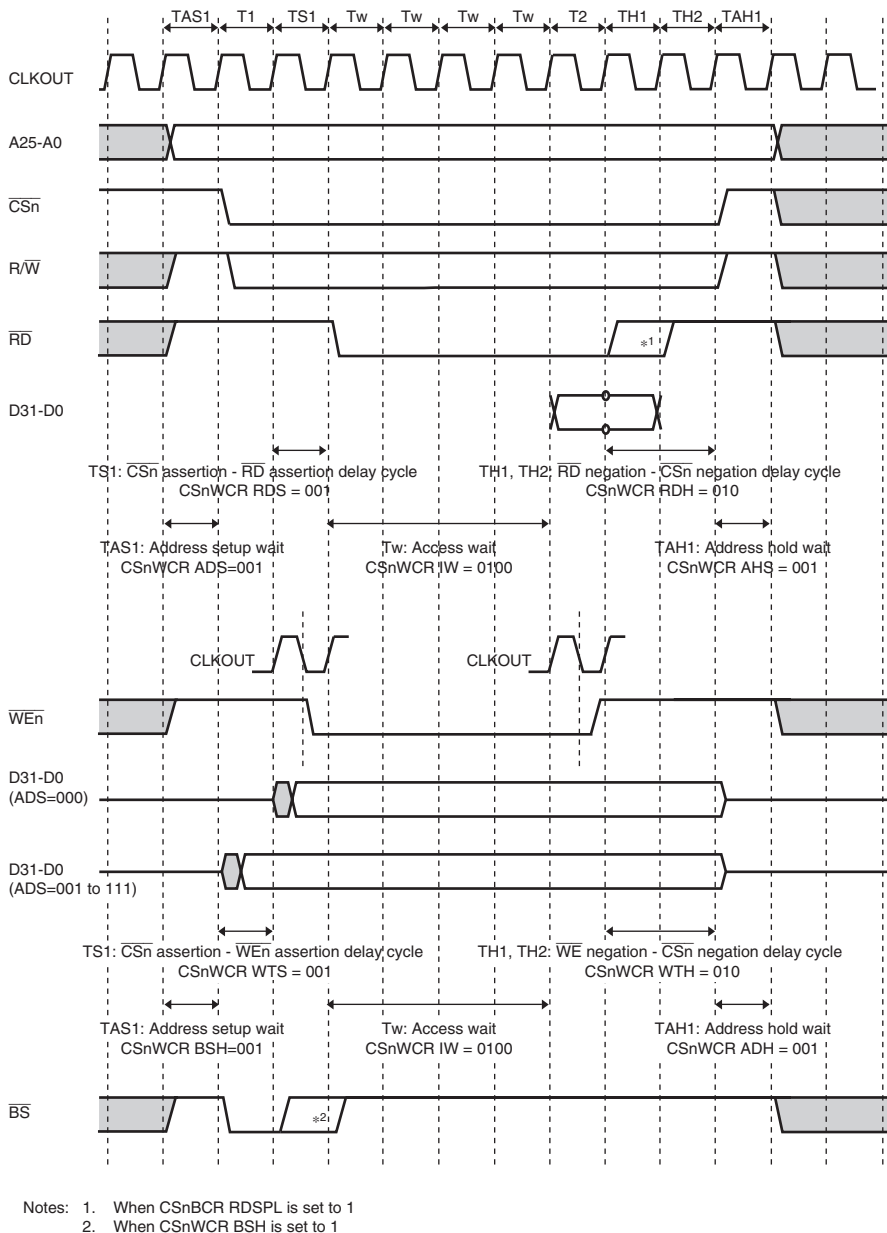


Figure 11.11 SRAM Interface Wait Timing (Read-Strobe/Write-Strobe Timing Setting)

11.5.4 Burst ROM Interface

When the TYPE bit in CSnBCR is set to 010, a burst ROM can be connected to areas 0 to 6. The burst ROM interface provides high-speed access to ROM that has a burst access function. The burst access timing of burst ROM is shown in figure 11.12. The wait cycle is set to 0. Although the access is similar to that of the SRAM interface, only the address is changed when the first cycle ends and then the next access is started. When 8-bit ROM is used, the number of consecutive accesses can be set to 4, 8, 16, or 32 times through bits BST2 to BST0 in CSnBCR (n = 0 to 6). Similarly, when 16-bit ROM is used, 4, 8 or 16 times can be set; when 32-bit ROM is used, 4 or 8 times can be set.

The $\overline{\text{RDY}}$ signal is always sampled when the wait cycle is set to 1 or more. Even when no wait is specified in the burst ROM settings, the second and subsequent accesses are performed with two cycles as shown in figure 11.13.

Writing to this interface is performed in the same way as for the SRAM interface.

In a 32-byte transfer, a total of 32 bytes are transferred continuously according to the set bus width. The first access is performed on the data for which an access request is issued, and the remaining accesses are performed on wraparound method according to the set bus width. The bus is not released during this transfer.

Figure 11.14 shows the timing when the burst ROM is used and setup/hold is specified by CSnWCR.

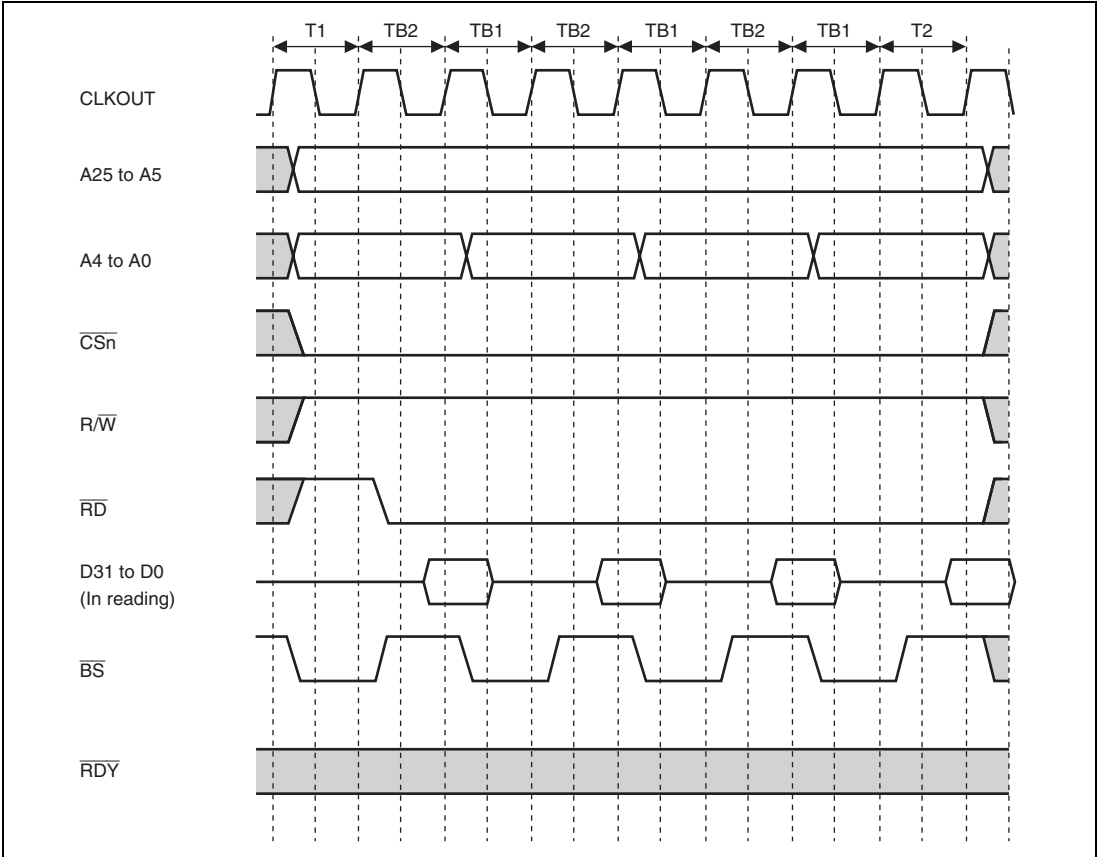


Figure 11.12 Burst ROM Basic Timing

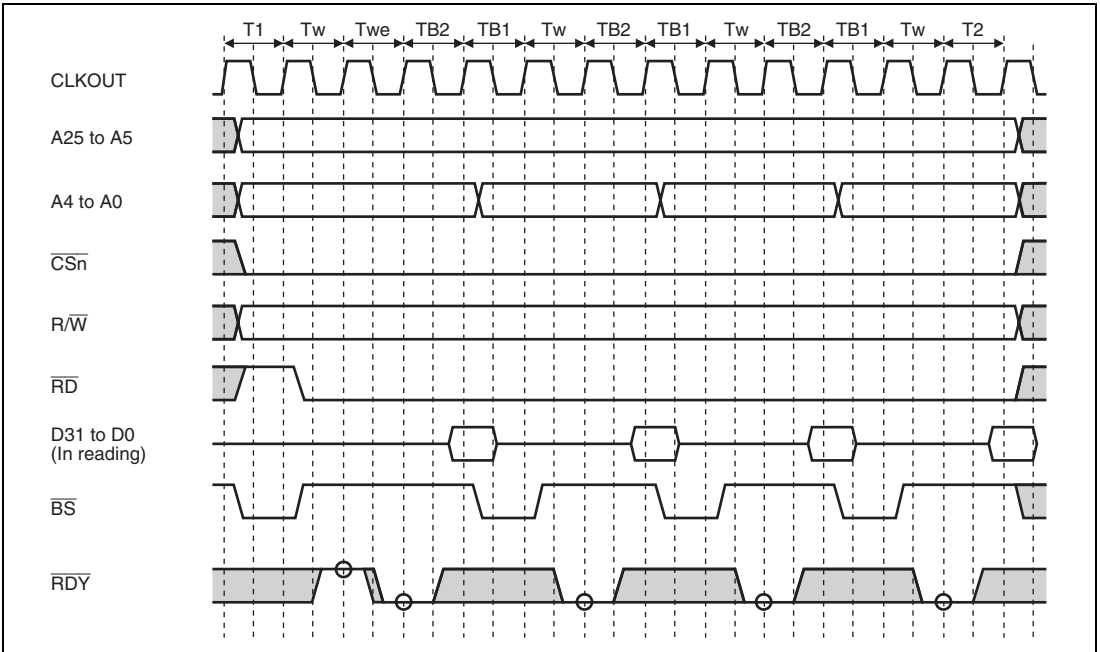
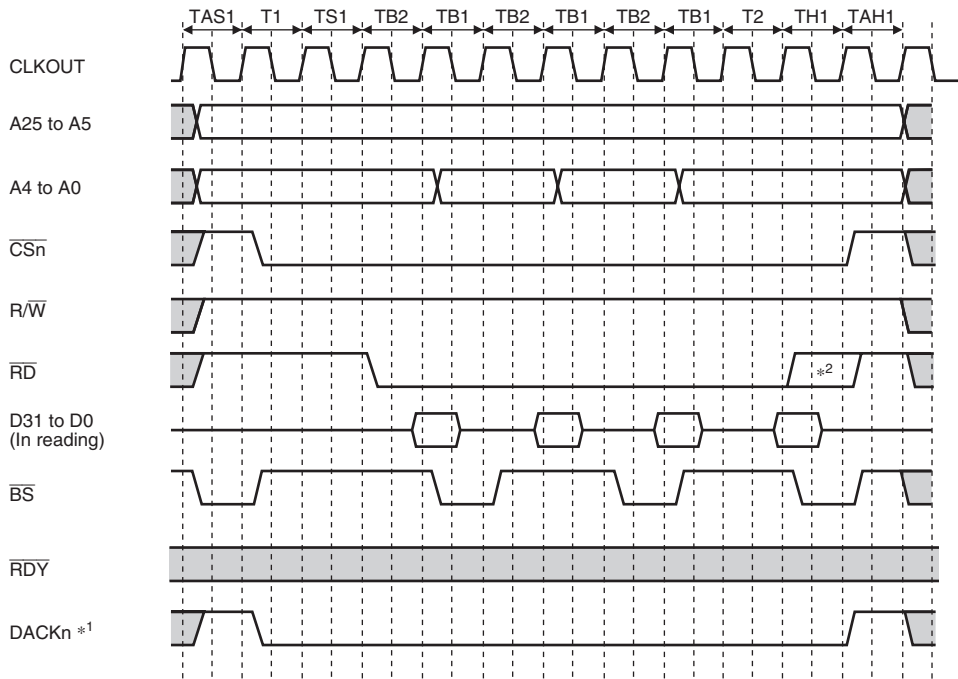


Figure 11.13 Burst ROM Wait Timing



- Notes: 1. In this example, DACKn is active-high.
 2. When RDSPL in CSnBCR is set to 1.

Figure 11.14 Burst ROM Wait Timing

11.5.5 PCMCIA Interface

By setting the TYPE bits in CS5BCR and CS6BCR, the bus interface for the external space areas 5 and 6 can be set to the IC memory card interface or I/O card interface, which is stipulated in JEIDA specification version 4.2 (PCMCIA 2.1).

Figure 11.15 shows the connection example of this LSI and PCMCIA card. PCMCIA card is required to connect a three state buffer between this LSI bus interface and PCMCIA card to perform hot swapping (a card is pulled out or plugged while the power supply of the system is turned on).

Since operation in big endian mode is not explicitly stipulated in the JEIDA/PCMCIA standard, this LSI only supports the little-endian PCMCIA interface with the little endian mode setting.

The PCMCIA interface space property can be selected from 8-bit common memory, 16-bit common memory, 8-bit attribute memory, 16-bit attribute memory, 8-bit I/O space, 16-bit I/O space, dynamic I/O bus sizing, and ATA complement mode by depending on the setting of the SAA and SAB bits in CSnPCR.

When the first half area is accessed, the IW bit in CSnWCR and the PCWA, TEDA, and TEHA bits in CSnPCR are selected. When the second half area is accessed, the IW bit in CSnWCR and the PCWB, TEDB, and TEHB bits in CSnPCR are selected.

The PCWA/B1 and PCWA/B bits can be used to set the number of wait cycles to be inserted in a low-speed bus cycle as 0, 15, 30, or 50. This value is added to the number of inserted wait cycles specified by the IW bit in CSnWCR or PCIW bit in CSnPCR. The setup time of the address of the \overline{RD} and $\overline{WE1}$ signals, \overline{CSn} , $\overline{CE2A}$, $\overline{CE2B}$ and \overline{REG} can be set with the TEDA/B bit (with a setting range from 0 to 15). The hold time of the address of the \overline{RD} and $\overline{WE1}$ signals, \overline{CSn} , $\overline{CE2A}$, $\overline{CE2B}$ and \overline{REG} can be set with the TEDA/B bit (with a setting range from 0 to 15).

The IW bits (IWW, IWWRD, IWWRS, IWRRD and IWRRS) in CS5BCR or CS6BCR are used to set the number of idle cycles between cycles. The selected number of wait cycles between cycles depends only on the area to be accessed (area 5 or 6). When area 5 is accessed, the IW bits in CS5WCR are selected, and when area 6 is accessed, the IW bits in CS6WCR are selected.

In 32-byte transfer, a total of 32 bytes are transferred continuously according to the set bus width. The first access is performed on the data for which there was an access request, and the remaining accesses are performed in wraparound method according to the set bus width. The bus is not released during this transfer.

ATA complement mode is to access the ATA device register connected to this LSI. The Device Control Register, Alternate Status Register, Data Register, and Data Port can be accessed in ATA

complement mode. To access the Device Control Register and Alternate Status Register, use a CPU byte access (do not use a DMA transfer), and to access the Data Register, use the CPU word access (do not use a DMA transfer). To access the Data Port use a DMA transfer. When a CPU byte access is executed, $\overline{CE1x}$ is negated and $\overline{CE2x}$ is asserted ($x = A, B$). When a CPU word access is executed, $\overline{CE1x}$ is asserted and $\overline{CE2x}$ is negated. When a DMA access is executed, $\overline{CE1x}$ and $\overline{CE2x}$ are negated. The setting example of the DMAC (by DMA channel control register CHCR) is external request, burst mode, level detection, overrun 0, \overline{DACK} output to the correspondent PCMCIA connected area. Set the DACKBST bit in BCR of the corresponding DMA transfer channel to 1, so that the corresponding \overline{DACK} signal is asserted from the beginning to the end of the DMA transfer cycle. Even if the corresponding \overline{DREQ} signal is negated during the transfer, the \overline{DACK} signal is not negated. When DMA transfer that outputs \overline{DACK} is made to access an area where ATA complement mode is set, neither $\overline{CE1x}$ nor $\overline{CE2x}$ is asserted.

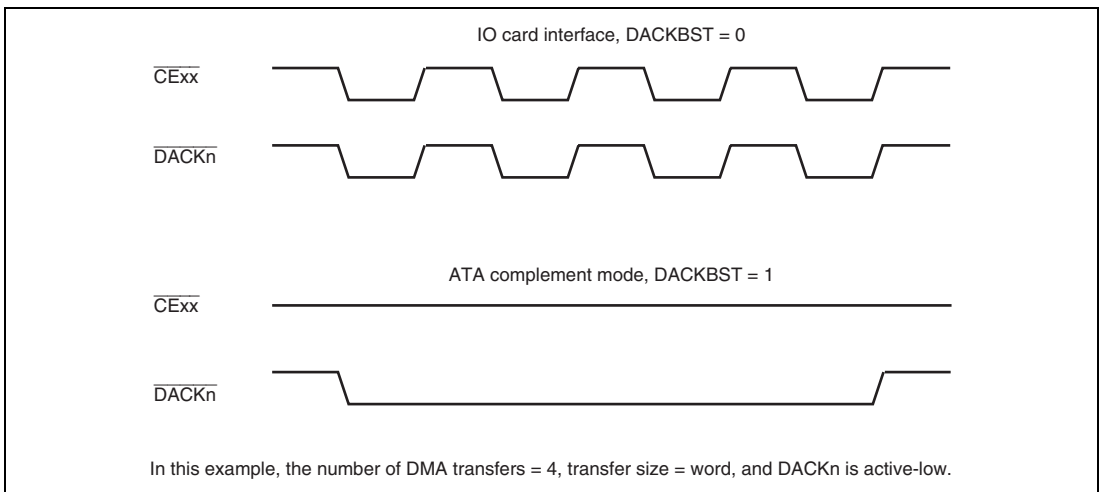


Figure 11.15 \overline{CEEx} and \overline{DACKn} Output during DMA Transfer in Access to Space where ATA Complement Mode Is Set

Table 11.16 Relationship between Address and CE when Using PCMCIA Interface

Bus (Bits)	Read/ Write	Access (bits)* ¹	Odd/ Even	IOIS16	Access	CE2	CE1	A0	D15 to D8	D7 to D0
8	Read	8	Even	x	—	H	L	L	Invalid	Read data
			Odd	x	—	H	L	H	Invalid	Read data
		16	Even	x	First	H	L	L	Invalid	Lower read data
			Even	x	Second	H	L	H	Invalid	Upper read data
			Odd	x	—	—	—	—	—	—
	Write	8	Even	x	—	H	L	L	Invalid	Write data
			Odd	x	—	H	L	H	Invalid	Write data
		16	Even	x	First	H	L	L	Invalid	Lower write data
			Even	x	Second	H	L	H	Invalid	Upper write data
			Odd	x	—	—	—	—	—	—
16	Read	8	Even	x	—	H	L	L	Invalid	Read data
			Odd	x	—	L	H	H	Read data	Invalid
		16	Even	x	—	L	L	L	Upper read data	Lower read data
			Odd	x	—	—	—	—	—	—
			—	—	—	—	—	—	—	—
	Write	8	Even	x	—	H	L	L	Invalid	Write data
			Odd	x	—	L	H	H	Write data	Invalid
		16	Even	x	—	L	L	L	Upper write data	Lower write data
			Odd	x	—	—	—	—	—	—
			—	—	—	—	—	—	—	—
Dynamic Bus Sizing* ²	Read	8	Even	L	—	H	L	L	Invalid	Read data
			Odd	L	—	L	H	H	Read data	Invalid
		16	Even	L	—	L	L	L	Upper read data	Lower read data
			Odd	L	—	—	—	—	—	—
			—	—	—	—	—	—	—	—
	Write	8	Even	L	—	H	L	L	Invalid	Write data
			Odd	L	—	L	H	H	Write data	Invalid
		16	Even	L	—	L	L	L	Upper write data	Lower write data
			Odd	L	—	—	—	—	—	—
			—	—	—	—	—	—	—	—
Read	8	Even	H	—	H	L	L	Invalid	Read data	
		Odd	H	First	L	H	H	Invalid	Invalid	
		Odd	H	Second	H	L	L	Invalid	Read data	
	16	Even	H	First	L	L	L	Invalid	Lower read data	
		Even	H	Second	H	L	H	Invalid	Upper read data	
Odd	H	—	—	—	—	—	—	—		

Bus (Bits)	Read/ Write	Access (bits)* ¹	Odd/ Even	IOIS16	Access	CE2	CE1	A0	D15 to D8	D7 to D0	
Dynamic Bus Sizing* ²	Write	8	Even	H	—	H	L	L	Invalid	Write data	
			Odd	H	First	L	H	H	Invalid	Write data	
			Odd	H	Second	H	L	H	Invalid	Write data	
	16	Even	H	First	L	L	L	Upper write data	Lower write data		
		Even	H	Second	H	L	H	Invalid	Upper write data		
		Odd	H	—	—	—	—	—	—		
ATA comple- ment mode	Read (does not output DACK)	8	Even	x	—	L	H	L	Invalid	Read data	
			Odd	x	—	—	—	—	—	—	
		16	Even	x	—	H	L	L	Upper read data	Lower read data	
			Odd	x	—	—	—	—	—	—	
		Write (does not output DACK)	8	Even	x	—	L	H	L	Invalid	Write data
				Odd	x	—	—	—	—	—	—
	16	Even	x	—	H	L	L	Upper write data	Lower write data		
		Odd	x	—	—	—	—	—	—		
	Read (outputs DACK)	8	Even	x	—	H	H	L	Invalid	Read data	
			Odd	x	—	H	H	L	Read data	Invalid	
		16	Even	x	—	H	H	H	Upper read data	Lower read data	
			Odd	x	—	—	—	—	—	—	
Write (outputs DACK)		8	Even	x	—	H	H	L	Invalid	Write data	
			Odd	x	—	H	H	L	Write data	Invalid	
16	Even	x	—	H	H	H	Upper write data	Lower write data			
Odd	x	—	—	—	—	—	—	—			

Legend:

x: Don't care

L: Low level

H: High level

Notes: 1. In 32-bit/64-bit/16-byte/32-byte transfer, the address is automatically incremented by the bus width, and the above accesses are repeated until the transfer data size is reached.

2. PCMCIA I/O card interface only.

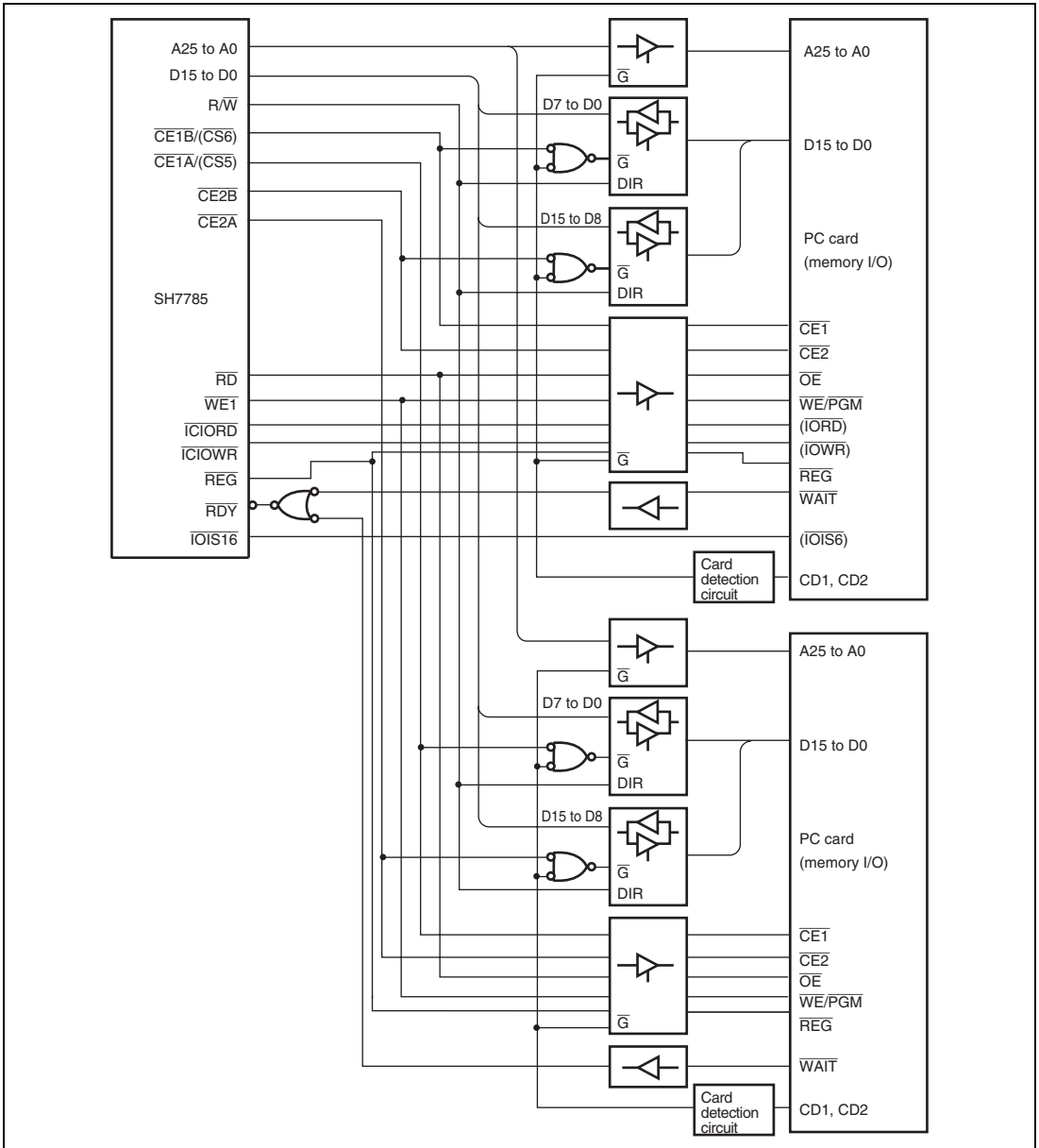


Figure 11.16 Example of PCMCIA Interface

(1) Memory Card Interface Basic Timing

Figure 11.17 shows the basic timing for the PCMCIA memory card interface, and figure 11.18 shows the wait timing for the PCMCIA memory card interface.

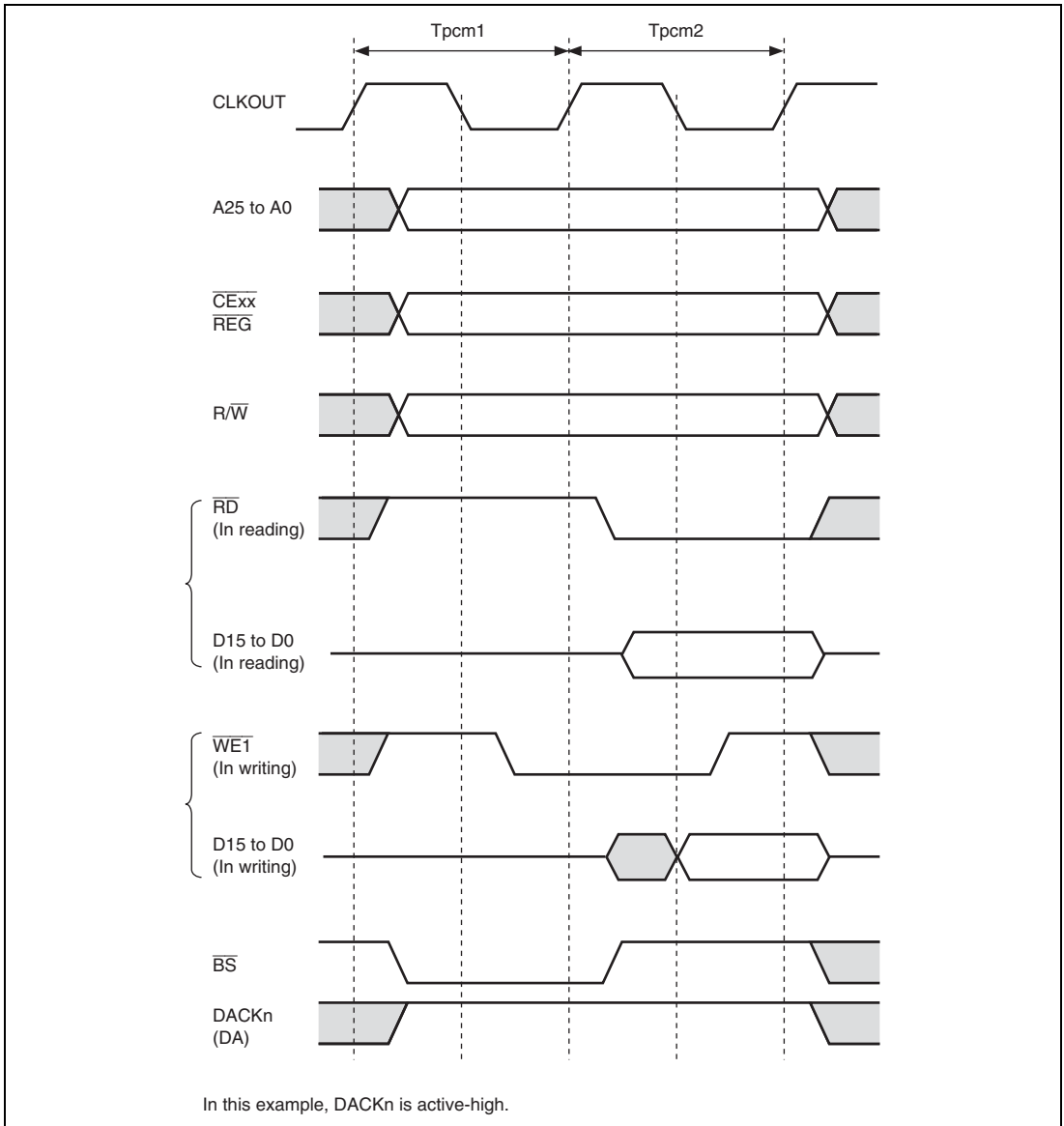


Figure 11.17 Basic Timing for PCMCIA Memory Card Interface

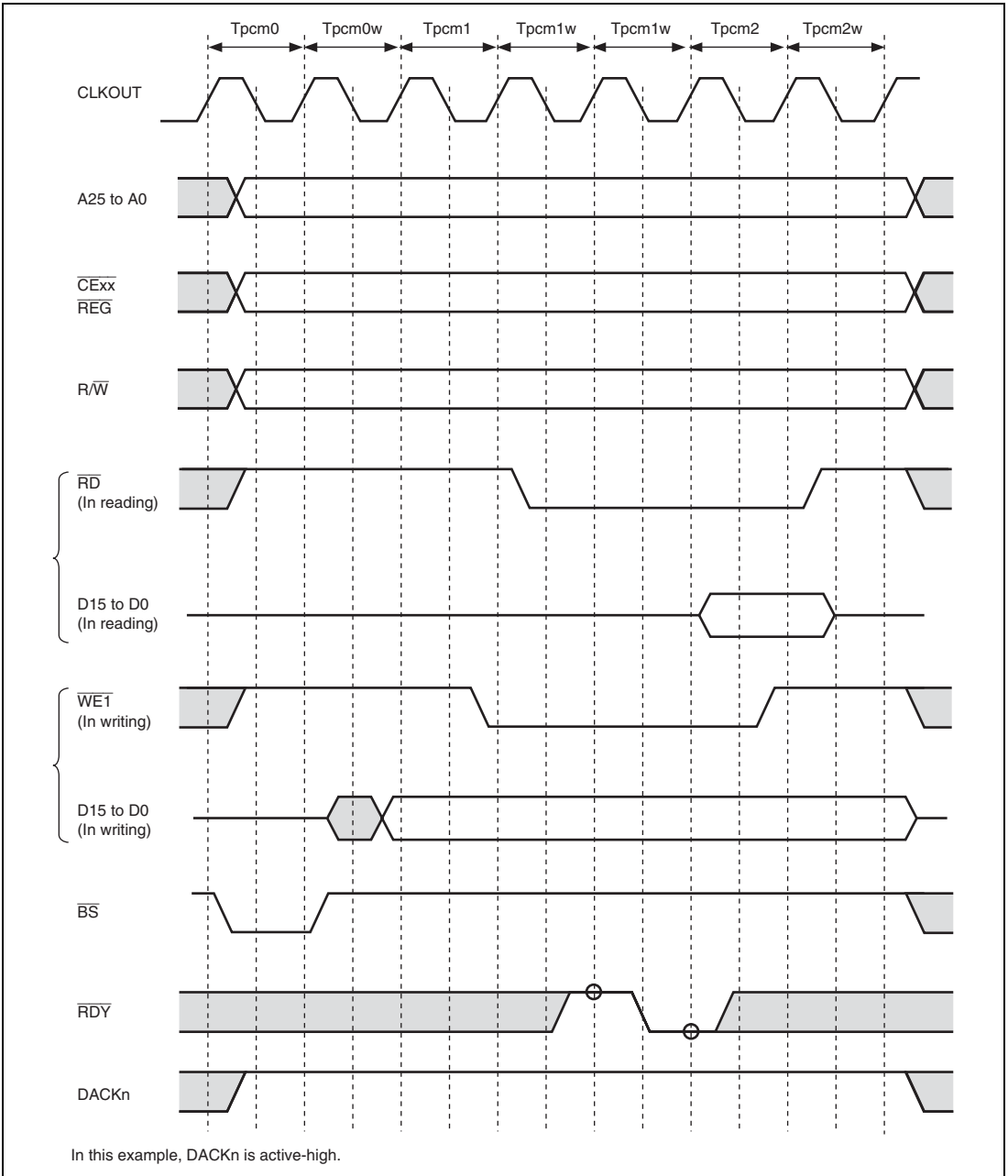


Figure 11.18 Wait Timing for PCMCIA Memory Card Interface

(2) I/O Card Interface Timing

Figures 11.19 and 11.20 show the timing for the PCMCIA I/O card interface.

When a PCMCIA card is accessed as the I/O card interface, dynamic sizing with the I/O bus width can be performed using the $\overline{\text{IOIS16}}$ pin. With the 16-bit bus width selected, if the $\overline{\text{IOIS16}}$ signal is high during the word-size I/O bus cycle, the I/O port is recognized as eight bits in bus width. In this case, a data access for only eight bits is performed in the I/O bus cycle being executed, and this is automatically followed by a data access for the remaining eight bits. Dynamic bus sizing is also performed for byte-size access to address $2n + 1$.

Figure 11.21 shows the basic timing for dynamic bus sizing.

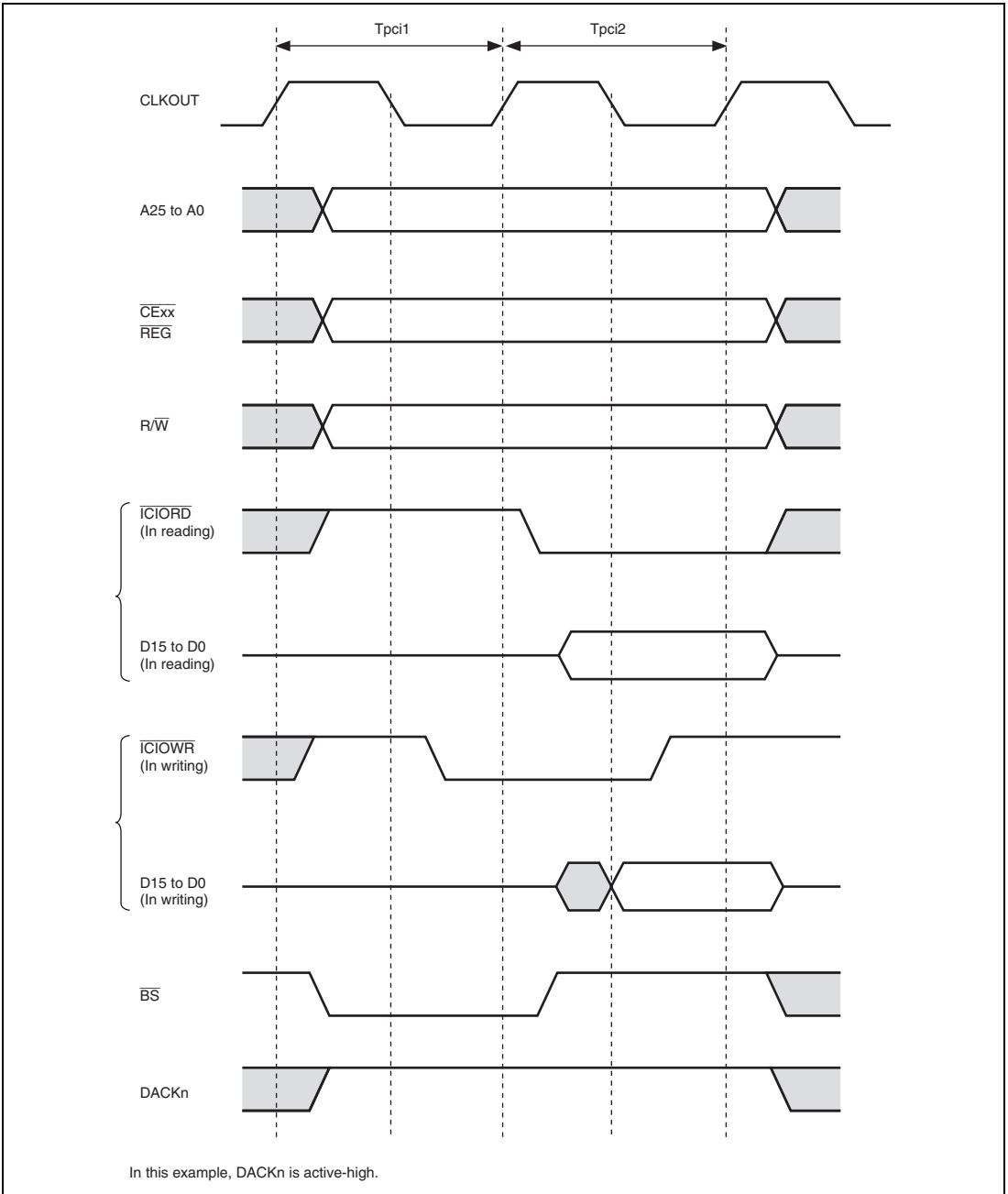


Figure 11.19 Basic Timing for PCMCIA I/O Card Interface

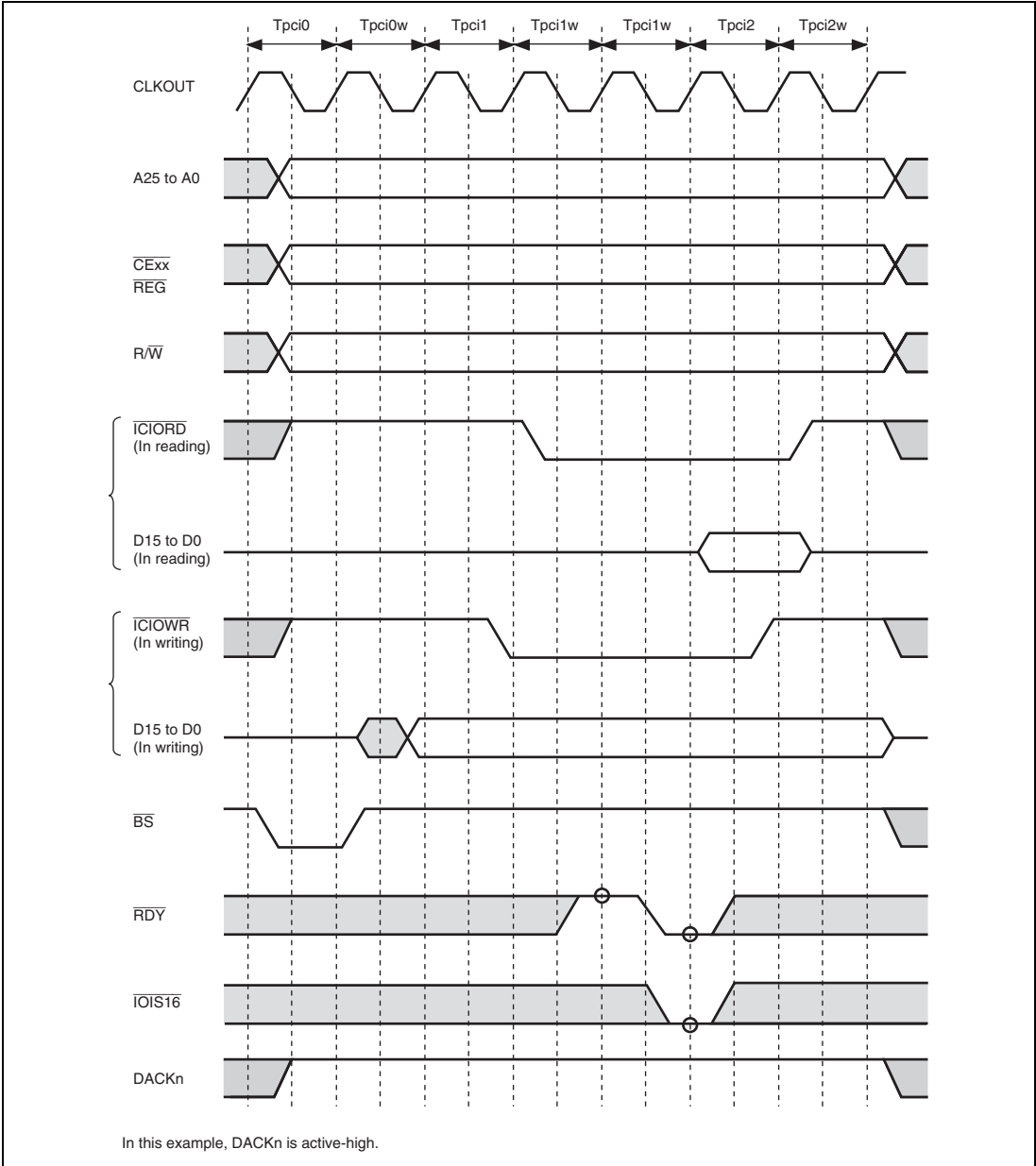


Figure 11.20 Wait Timing for PCMCIA I/O Card Interface

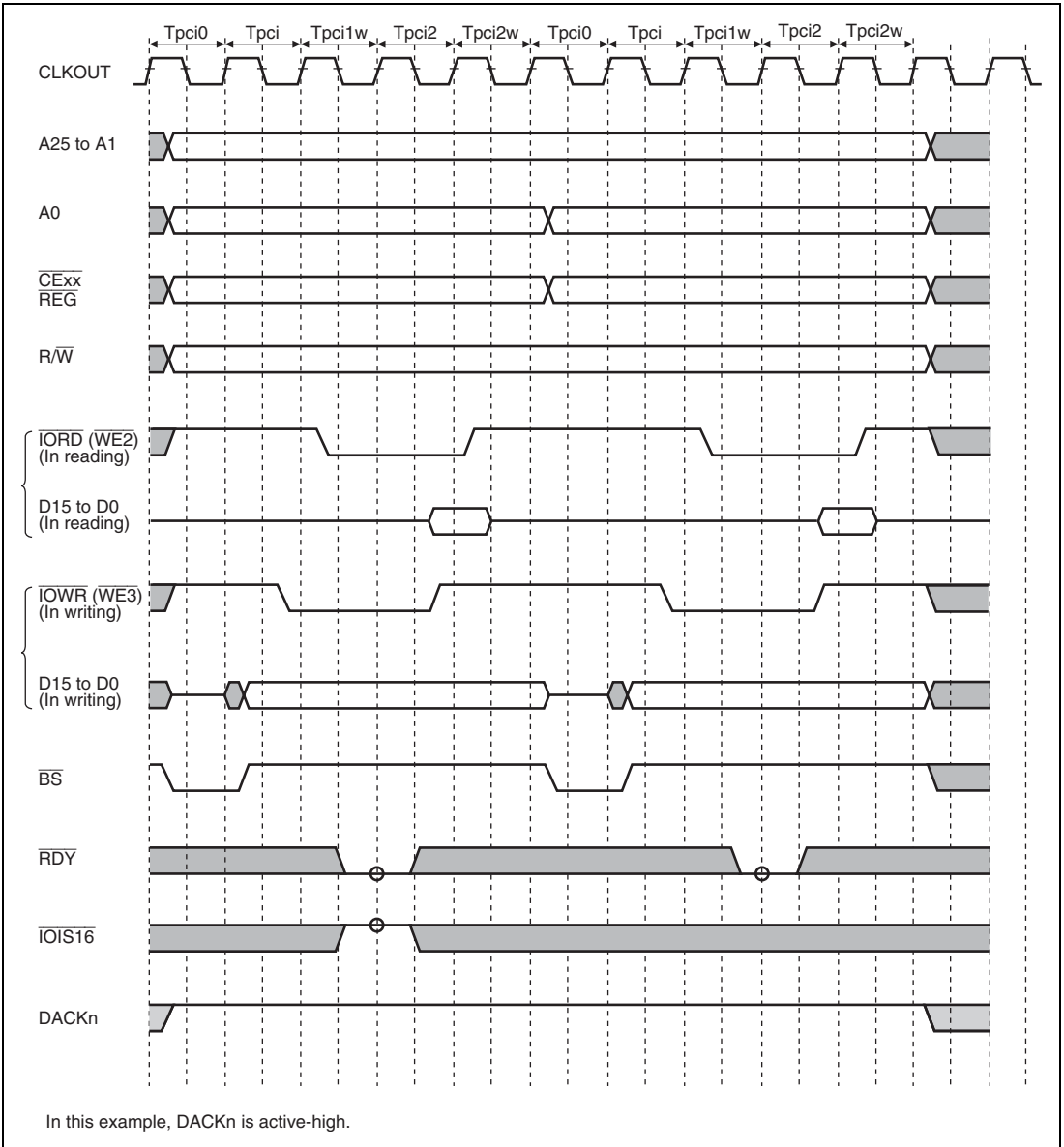


Figure 11.21 Dynamic Bus Sizing Timing for PCMCIA I/O Card Interface

11.5.6 MPX Interface

When both the MODE 7 pin is set to 0 at a power-on reset by the $\overline{\text{PRESET}}$ pin, the MPX interface is selected for area 0. The MPX interface is selected for areas 1 to 6 by the MPX bit in CS1BCR, CS2BCR, and CS4BCR to CS6BCR. The MPX interface provides an address/data multiplex-type bus protocol and facilitates connection with external memory controller chips using an address/data multiplex-type 64- or 32-bit single bus. A bus cycle consists of an address phase and a data phase. In the address phase, address information is output on D25 to D0, and the access size is output on D63 to D61 for the 64-bit bus and on D31 to D29 for the 32-bit bus. The $\overline{\text{BS}}$ signal is asserted for one cycle to indicate the address phase. The $\overline{\text{CSn}}$ signal is asserted at the rising edge in Tm1 and is negated after the end of the last data transfer in the data phase. Therefore, a negation cycle is not generated in the case of minimum pitch access. The $\overline{\text{FRAME}}$ signal is asserted at the rising edge in Tm1 and negated at the start of the last data transfer cycle in the data phase. Therefore, an external device for the MPX interface must internally store the address information and access size output in the address phase and perform data input/output for the data phase. For details, see section 11.5.1, Endian/Access Size and Data Alignment.

Values output to address pins A25 to A0 are not guaranteed.

In 32-byte transfer, a total of 32 bytes are transferred continuously according to the set bus width. The first access is performed on the data for which an access request is issued, and the remaining accesses are performed according to the set bus width. If the access size is larger than the bus width, a burst access with continuing multiple data cycles occurs after one address output. The bus is not released during this transfer.

Table 11.17 Relationship between D63/D31 to D61/D29 and Access Size in Address Phase

D63/D31	D62/D30	D61/D29	Access Size
0	0	0	Byte
		1	Word
	1	0	Longword
		1	Unused
1	X	X	32-byte burst

Legend:

X: Don't care

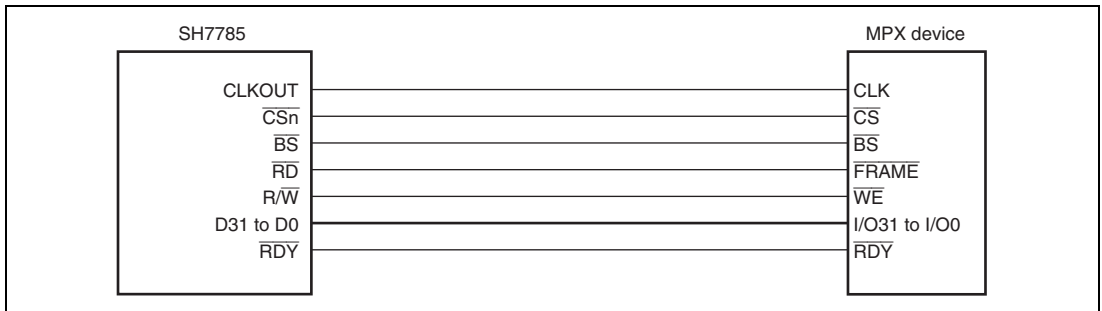


Figure 11.22 Example of 32-Bit Data Width MPX Connection

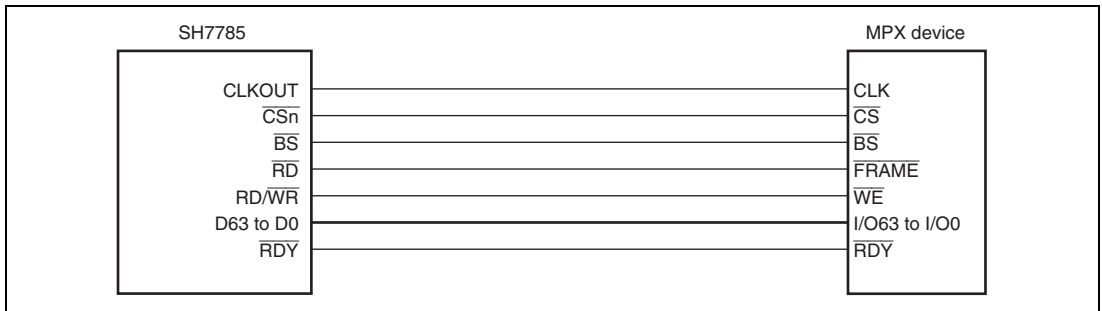


Figure 11.23 Example of 64-Bit Data Width MPX Connection

The MPX interface timing is shown below.

When the MPX interface is used for area 0, the bus size should be set to 64 or 32 bits by MODE5 and MODE6. When the MPX interface is used for areas 1 to 6, the bus size should be set to 32 or 64 bits by CSnBCR.

Waits can be inserted by CSnWCR and the $\overline{\text{RDY}}$ pin.

In reading, one wait cycle is automatically inserted after address output even if CSnWCR is cleared to 0.

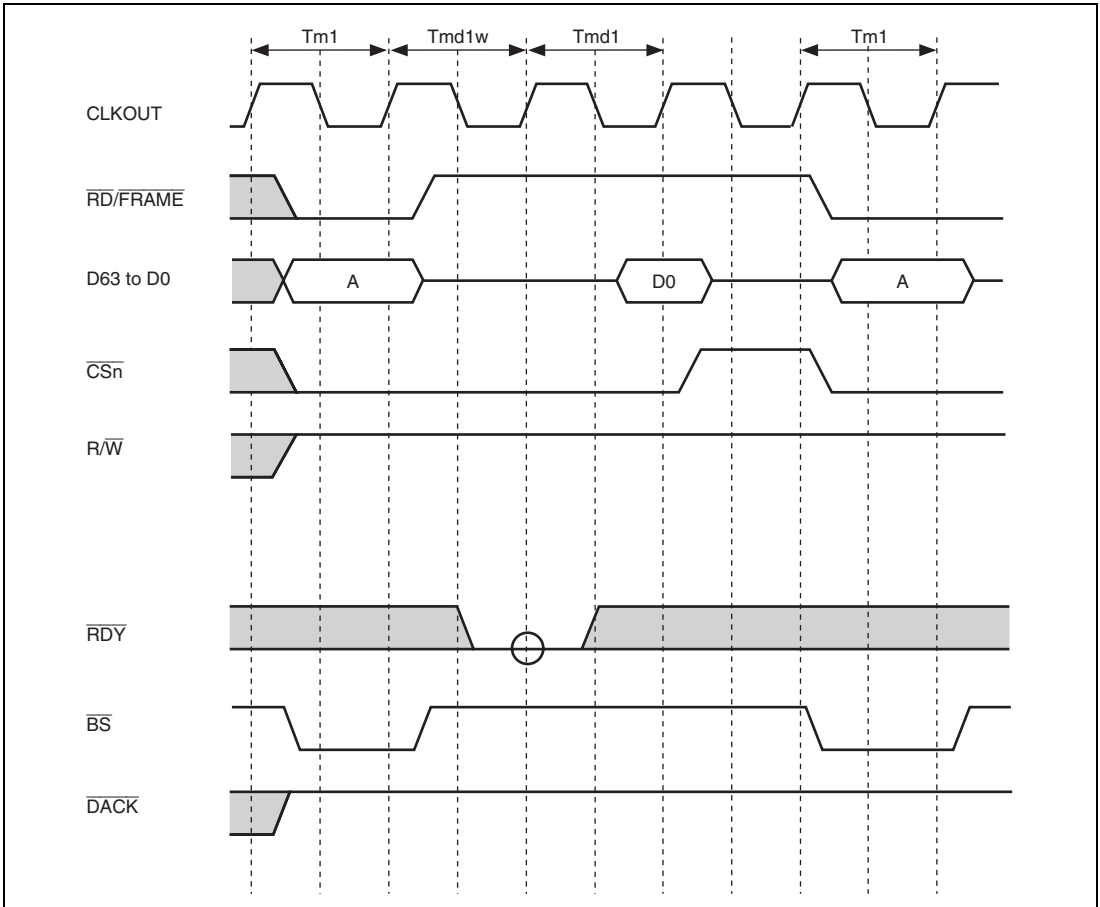
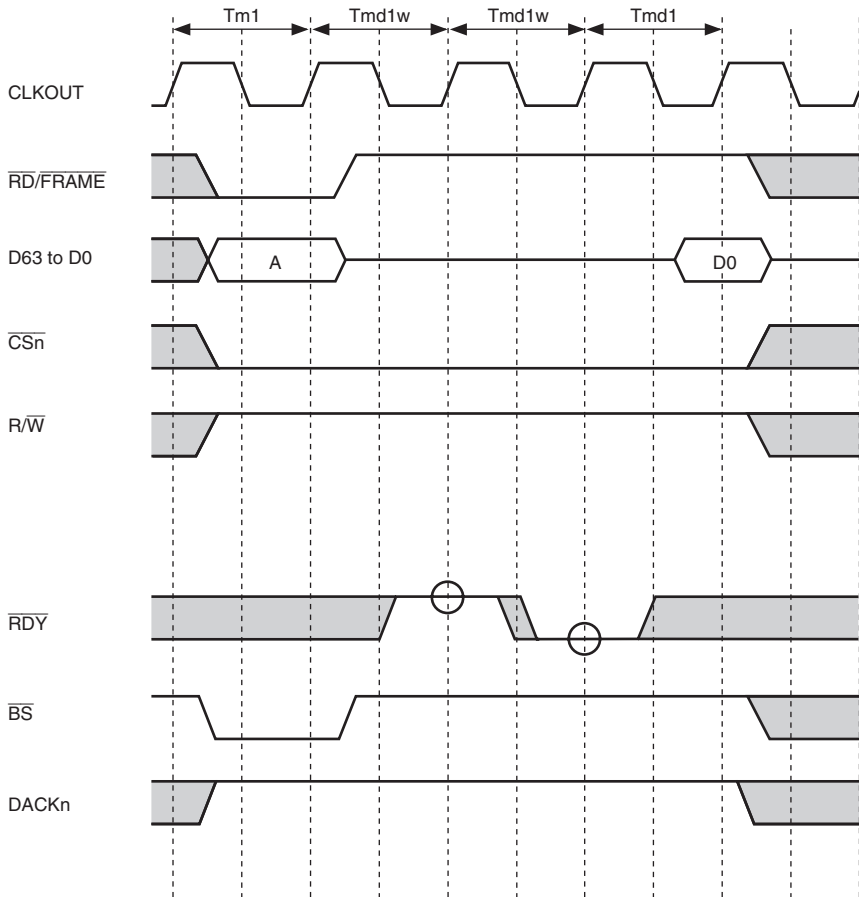
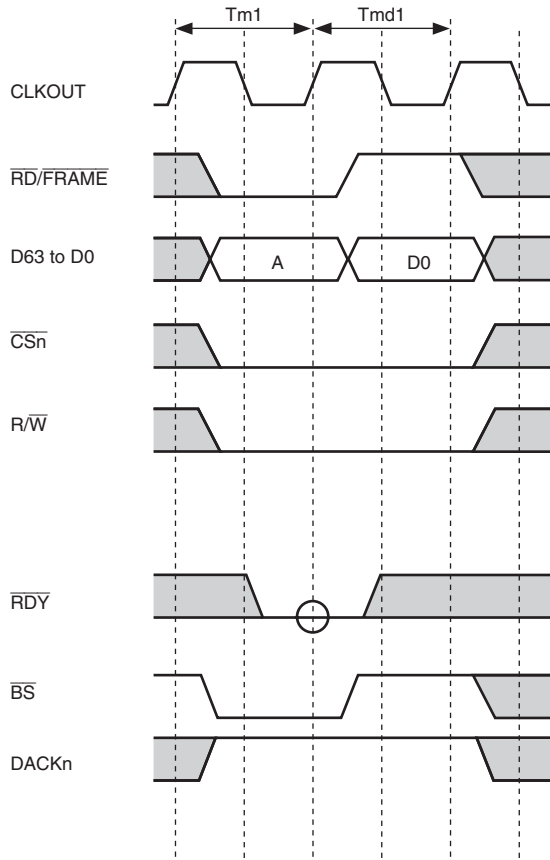


Figure 11.24 MPX Interface Timing 1
(Single Read Cycle, IW = 0000, No External Wait, 64-Bit Bus Width)



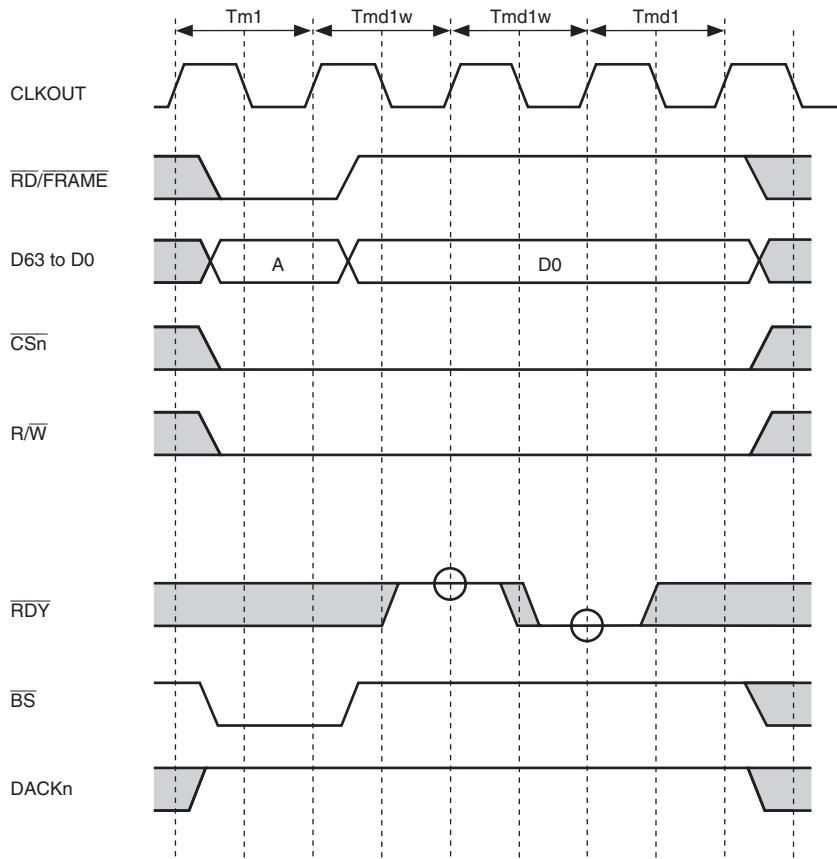
In this example, DACKn is active-high. The circles indicate the sampling timing.

Figure 11.25 MPX Interface Timing 2
(Single Read, IW = 0000, One External Wait Inserted, 64-Bit Bus Width)



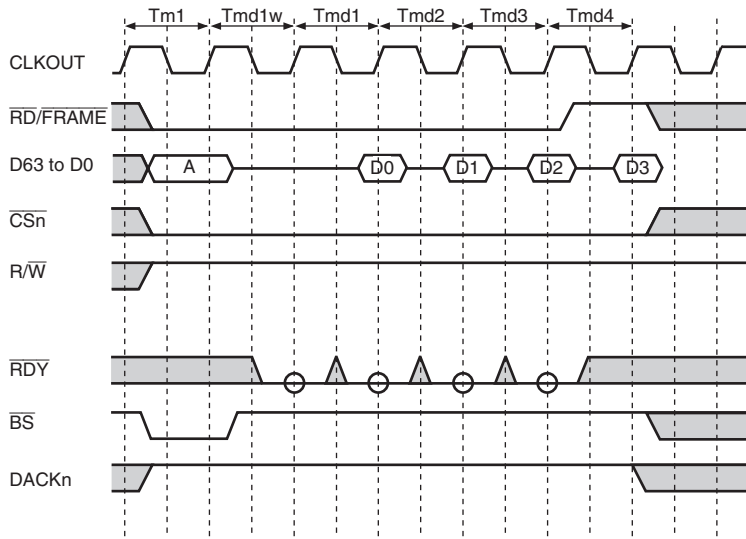
In this example, DACKn is active-high. The circle indicates the sampling timing.

Figure 11.26 MPX Interface Timing 3
(Single Write Cycle, IW = 0000, No External Wait, 64-Bit Bus Width)



In this example, DACKn is active-high.

Figure 11.27 MPX Interface Timing 4
(Single Write Cycle, IW = 0001, One External Wait Inserted, 64-Bit Bus Width)



In this example, DACKn is active-high.

Figure 11.28 MPX Interface Timing 5
(Burst Read Cycle, IW = 0000, No External Wait, 64-Bit Bus Width, 32-Byte Data Transfer)

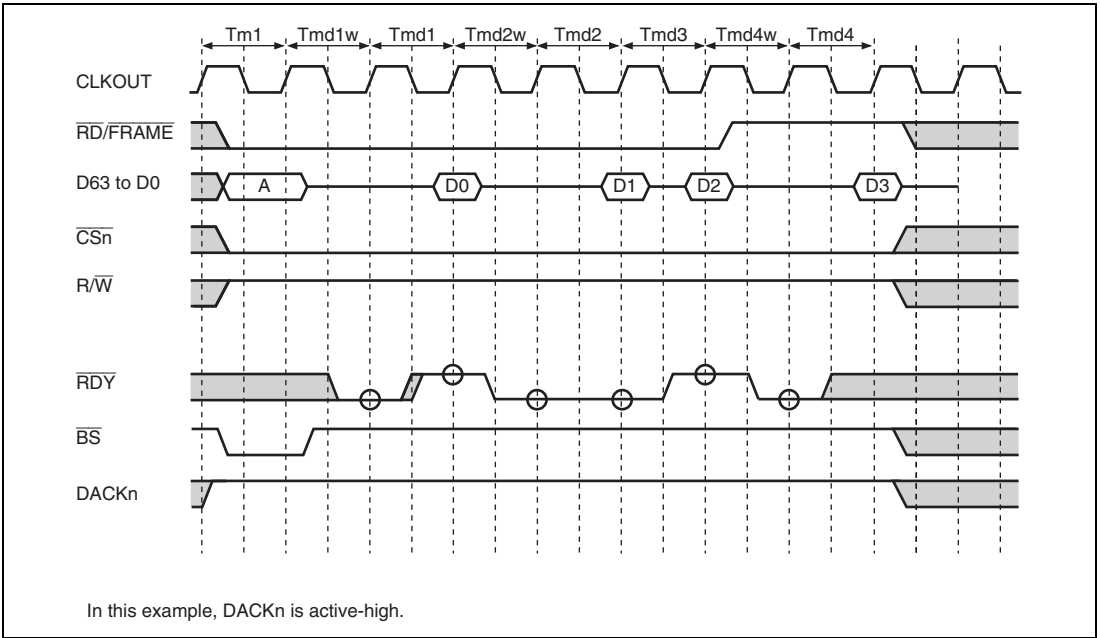
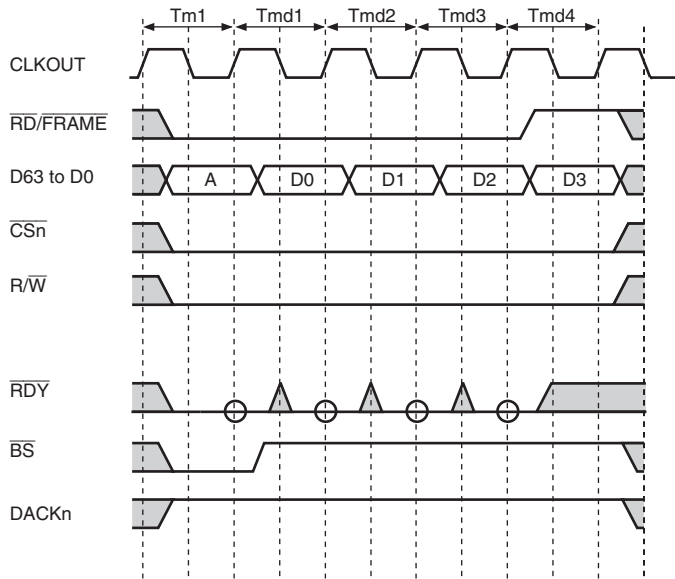
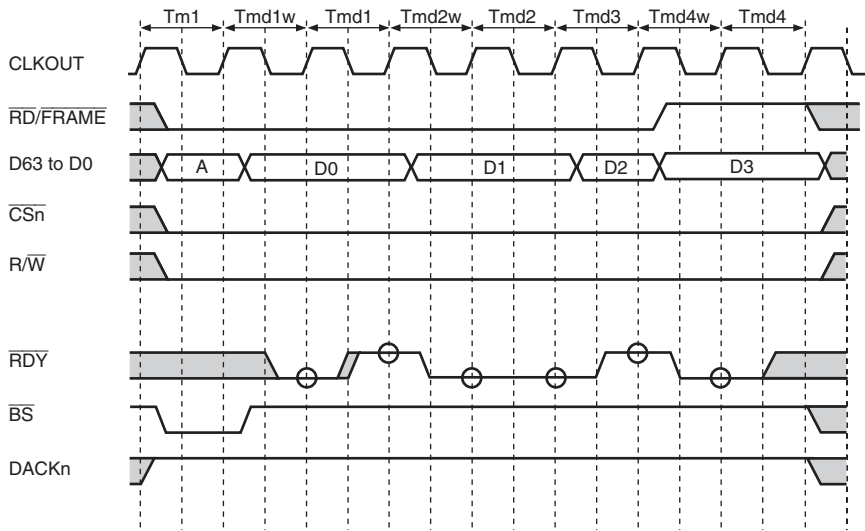


Figure 11.29 MPX Interface Timing 6 (Burst Read Cycle, IW = 0000, External Wait Control, 64-Bit Bus Width, 32-Byte Data Transfer)



In this example, DACKn is active-high.

Figure 11.30 MPX Interface Timing 7
(Burst Write Cycle, IW = 0000, No External Wait, 64-Bit Width, 32-Byte Data Transfer)



In this example, DACKn is active-high.

Figure 11.31 MPX Interface Timing 8 (Burst Write Cycle, IW = 0001, External Wait Control, 32-Bit Bus Width, 32-Byte Data Transfer)

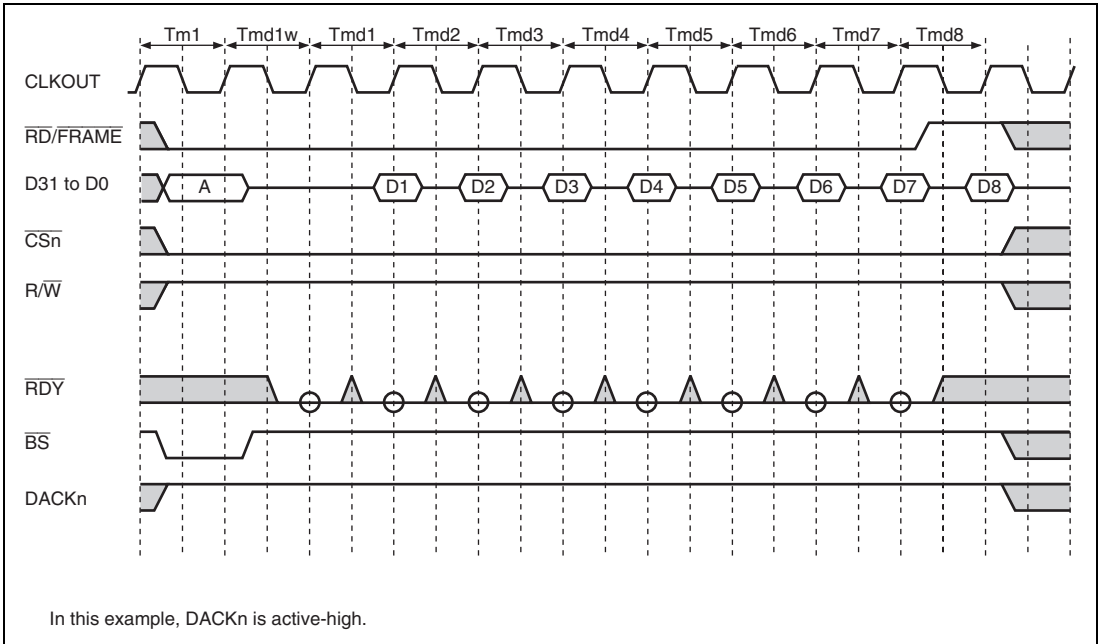


Figure 11.32 MPX Interface Timing 9 (Burst Read Cycle, IW = 0000, No External Wait, 32-Bit Bus Width, 32-Byte Data Transfer)

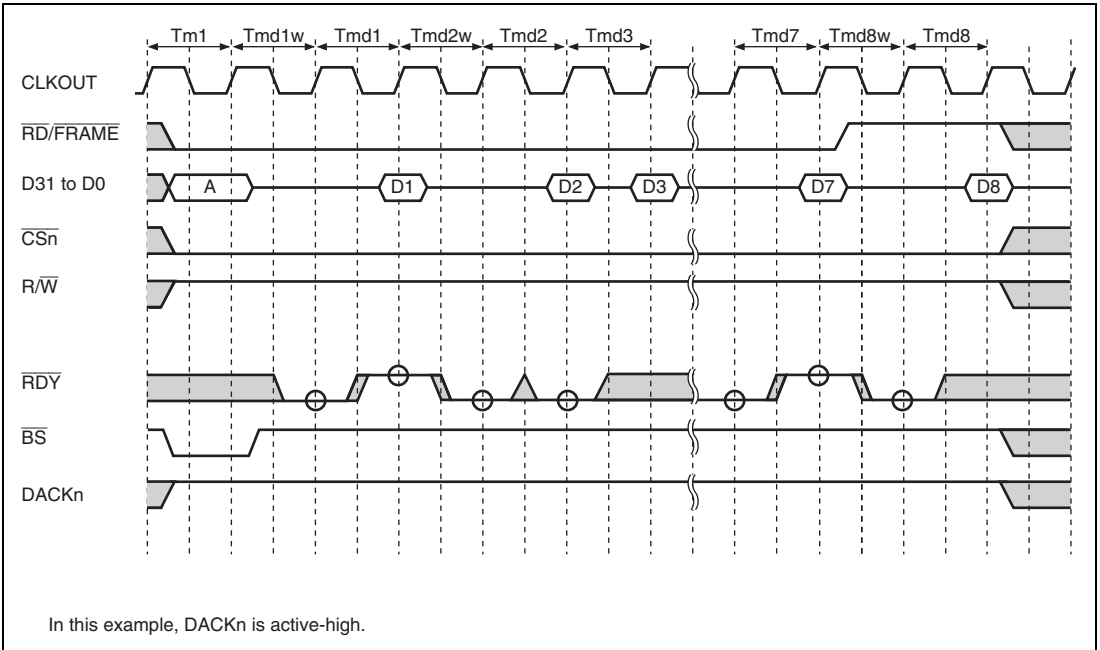


Figure 11.33 MPX Interface Timing 10 (Burst Read Cycle, IW = 0000, External Wait Control, 32-Bit Bus Width, 32-Byte Data Transfer)

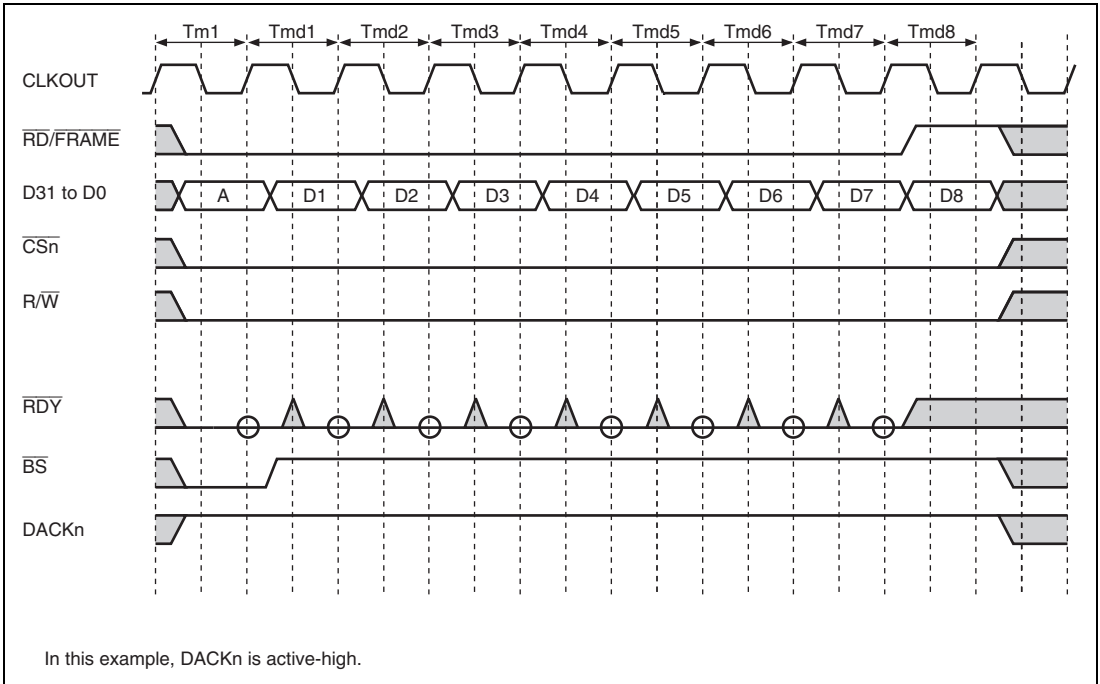


Figure 11.34 MPX Interface Timing 11 (Burst Write Cycle, IW = 0000, No External Wait, 32-Bit Bus Width, 32-Byte Data Transfer)

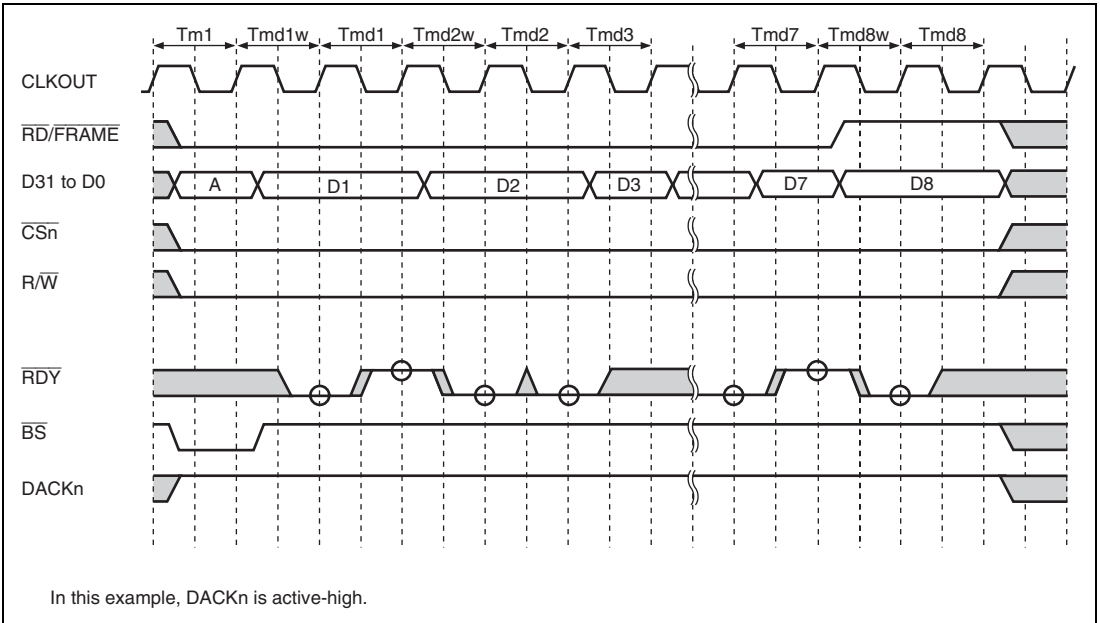


Figure 11.35 MPX Interface Timing 12 (Burst Write Cycle, IW = 0001, External Wait Control, 32-Bit Bus Width, 32-Byte Data Transfer)

11.5.7 Byte Control SRAM Interface

The byte control SRAM interface is a memory interface that outputs a byte-select strobe (\overline{WEn}) in both read and write bus cycles. This interface has 16-bit data pins and can be connected to SRAM having an upper byte select strobe and lower select strobe functions such as UB and LB.

Areas 1 and 4 can be specified as a byte control SRAM interface.

The write timing for the byte control SRAM interface is identical to that of a normal SRAM interface.

In reading operation, on the other hand, the \overline{WEn} pin timing is different. In a read access, only the \overline{WEn} signal for the byte being read is asserted. Assertion is synchronized with the falling edge of the CLKOUT clock in the same way as for the \overline{WEn} signal, while negation is synchronized with the rising edge of the CLKOUT clock in the same way as for the \overline{RD} signal.

In 32-byte transfer, a total of 32 bytes are transferred continuously according to the set bus width. The first access is performed on the data for which there was an access request, and the remaining accesses are performed in wraparound method according to the set bus width. The bus is not released during this transfer.

Figures 11.36 and 11.37 show examples of byte control SRAM connections, and figures 11.38 to 11.40 show examples of byte-control SRAM read cycles.

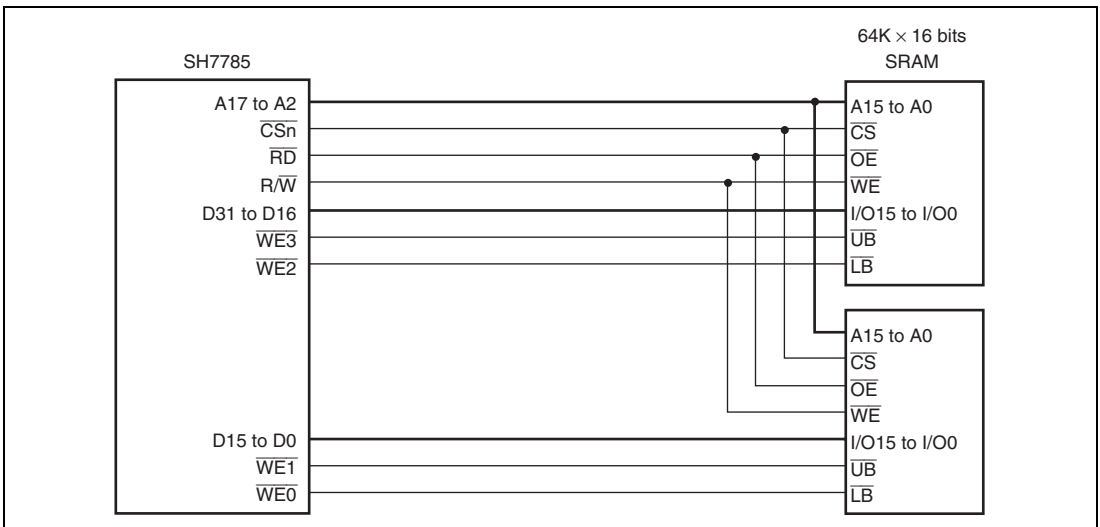


Figure 11.36 Example of Byte Control SRAM with 32-Bit Data Width

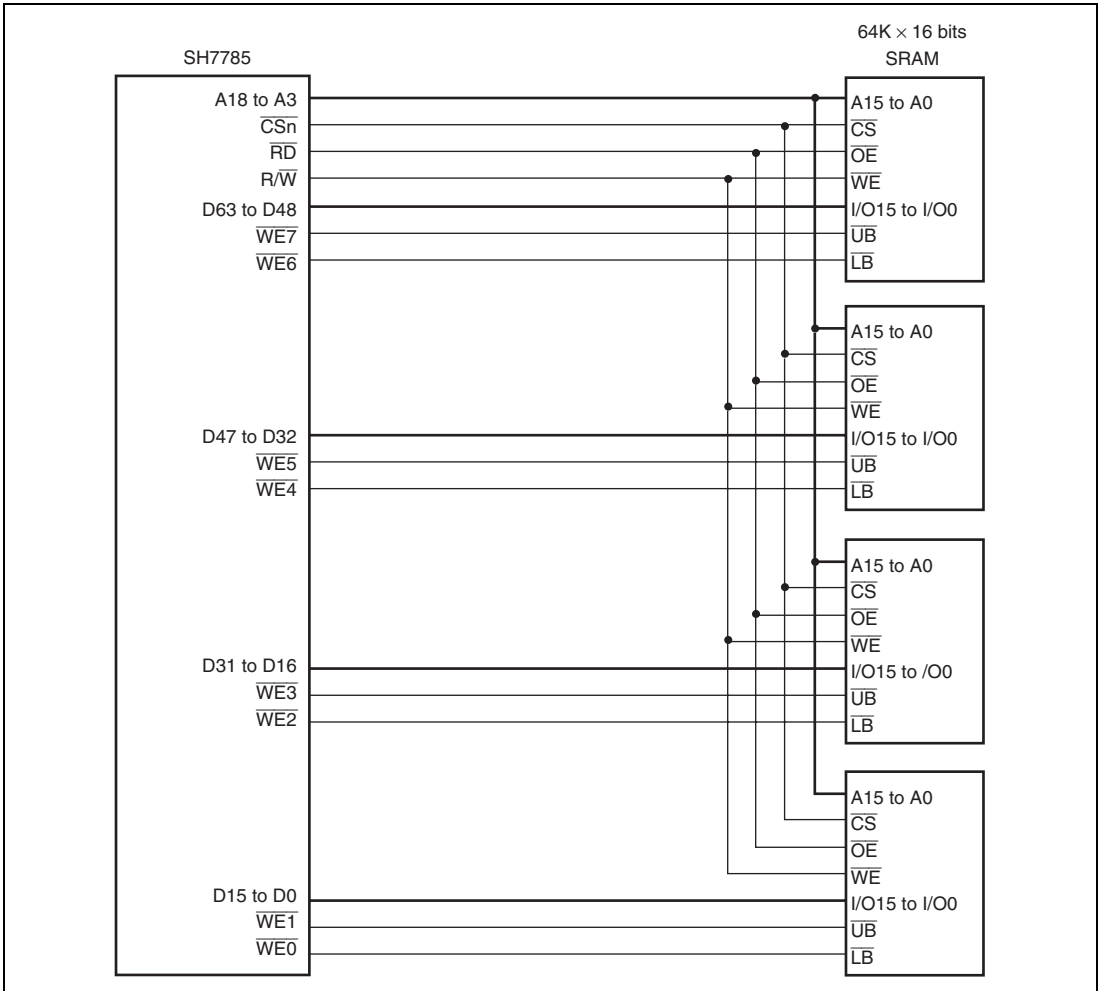
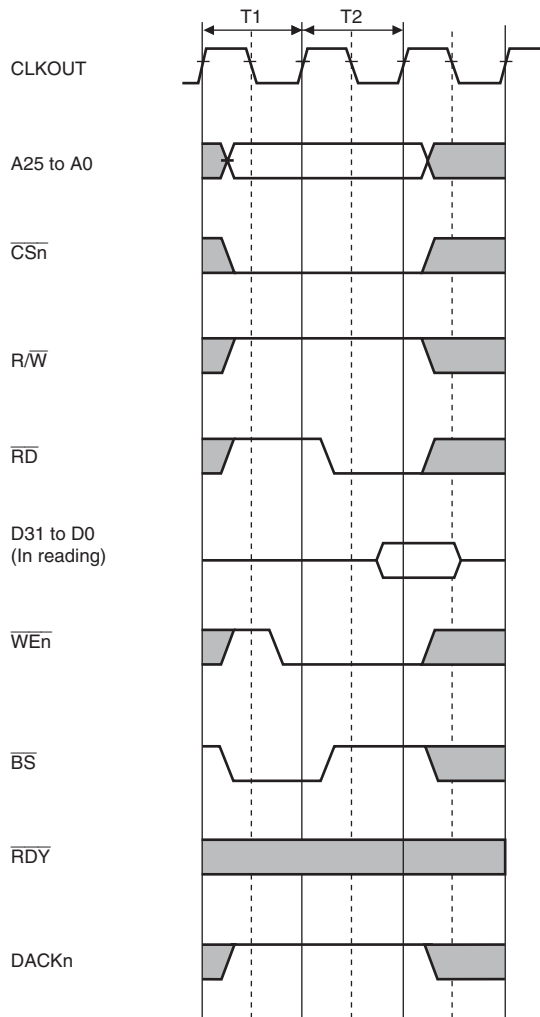


Figure 11.37 Example of Byte Control SRAM with 64-Bit Data Width



In this example, DACKn is active-high.

Figure 11.38 Basic Read Cycle of Byte Control SRAM (No Wait)

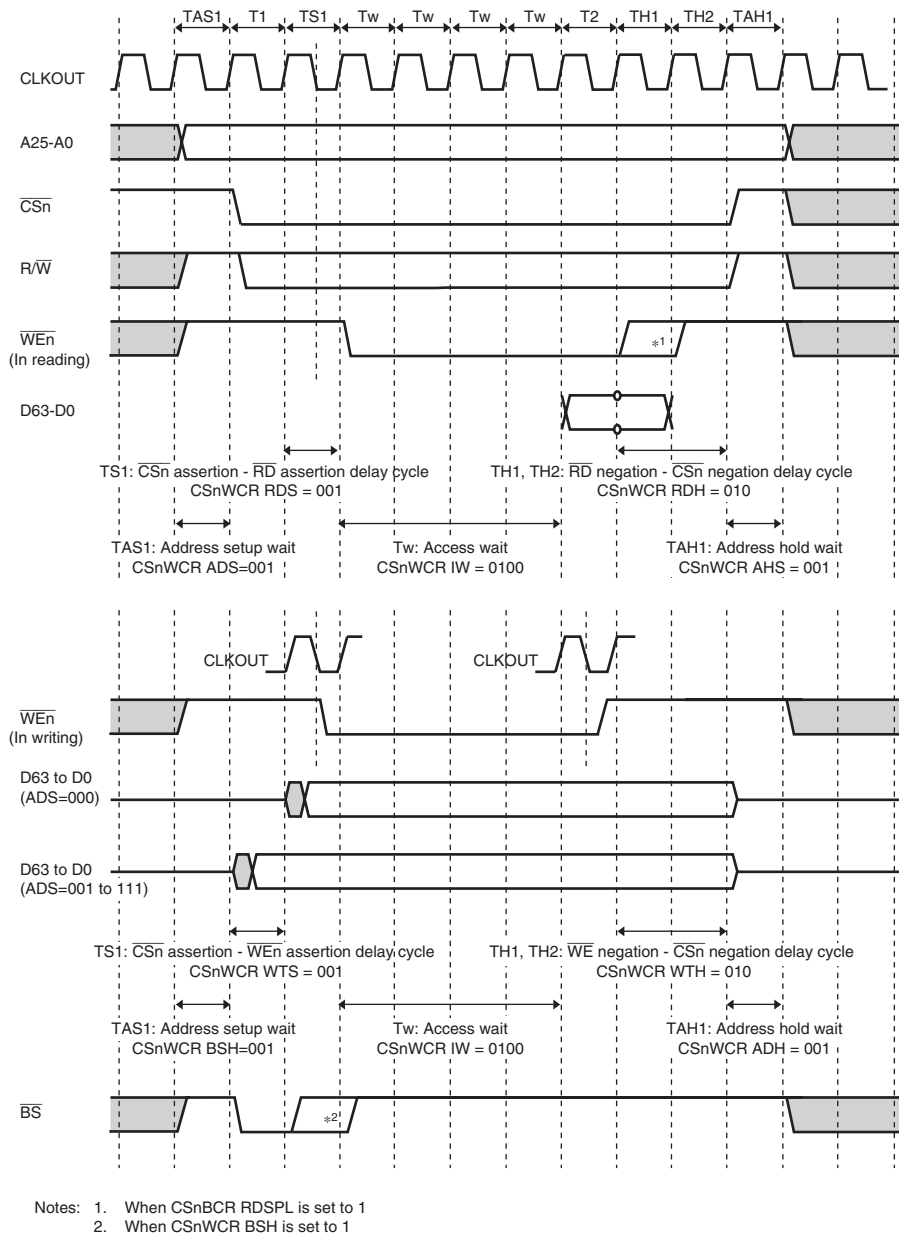
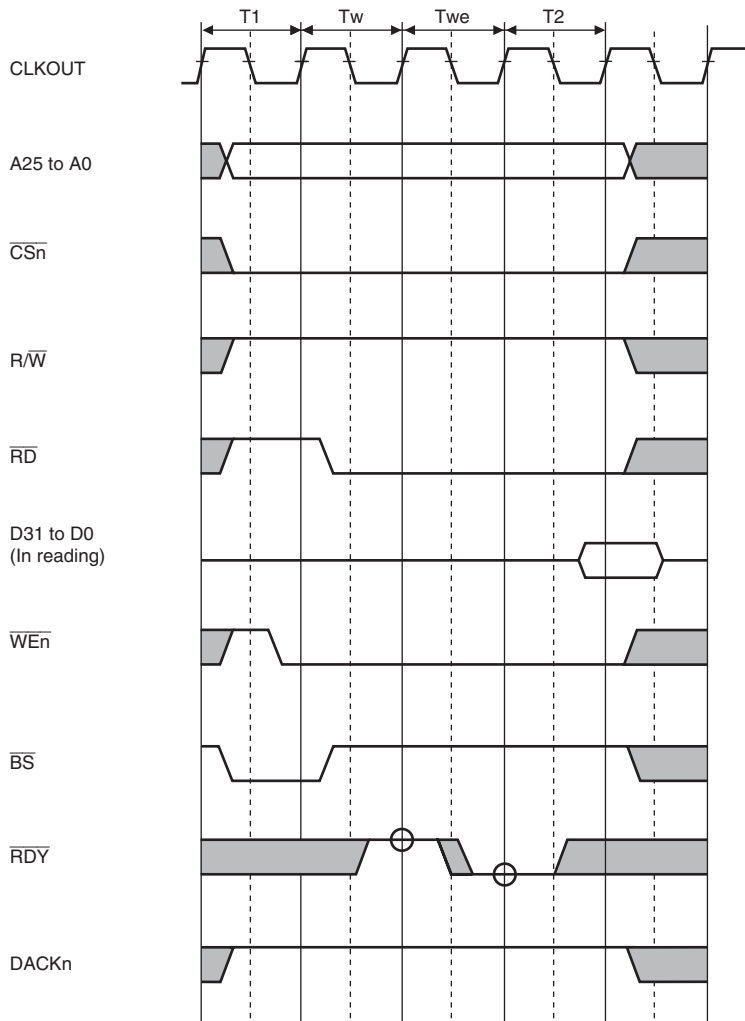


Figure 11.39 Wait State Timing of Byte Control SRAM



In this example, DACKn is active-high.

**Figure 11.40 Wait State Timing of Byte Control SRAM
(One Internal Wait + One External Wait)**

11.5.8 Wait Cycles between Access Cycles

When the external memory bus operating frequency is high, the turn-off of the data buffer performed on completion of reading from a low-speed device may not be made in time. This cause a collision with the next access data or a malfunction, which results in lower reliability. To prevent this problem, the data collision prevention function is provided. With this function, the preceding access area and the type of read/write are stored and a wait cycle is inserted before the access cycle if there is a possibility that a bus collision occurs when the next access is started. As an example of wait cycle insertion, idle cycles are inserted between the access cycles as shown in section 11.4.3, CSn Bus Control Register (CSnBCR). By using bits IWW, IWRWD, IWRWS, IWRRD and IWRRS in CSnBCR, at least the specified number of cycles can be inserted as idle cycles.

When bus arbitration is performed, the bus is released after wait cycles are inserted between the cycles.

When DMA transfer is performed in dual address mode, wait cycles are inserted as set in CSnBCR idle cycle bits.

When consecutive accesses to the MPX interface area are performed after a read access, 1 wait cycle is inserted even if the wait cycle is set to 0.

When the access size is 8-byte or 16-byte, wait cycles are inserted every 4-byte access.

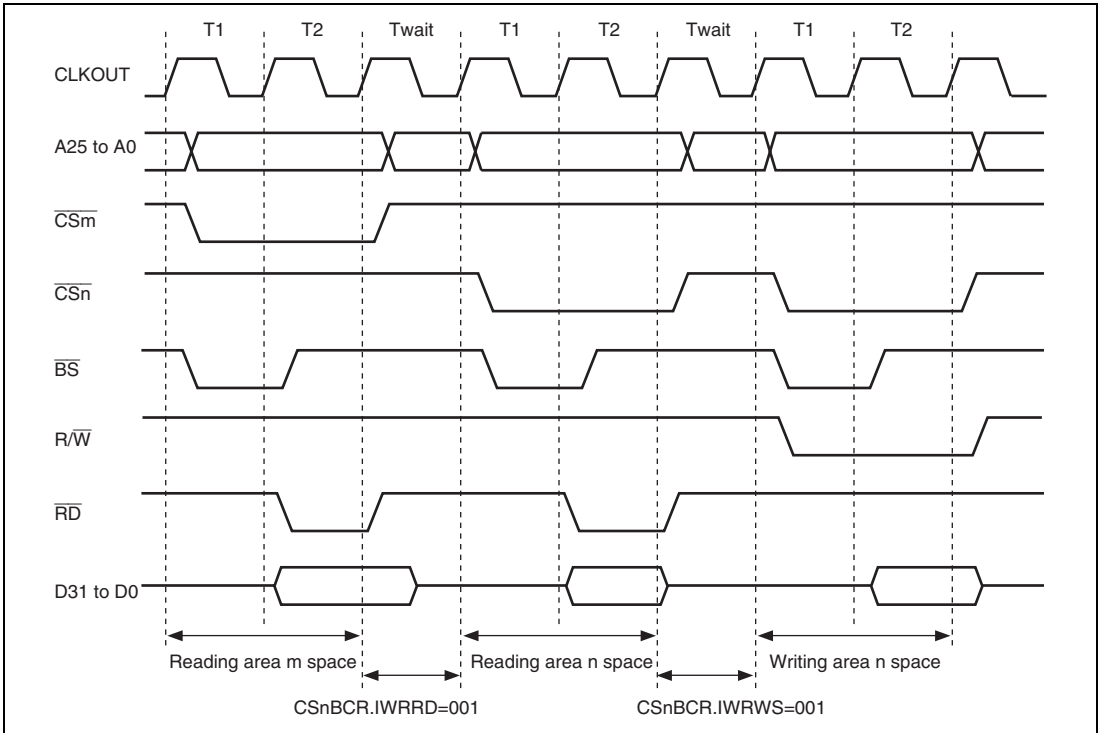


Figure 11.41 Wait Cycles between Access Cycles (Access Size Is 4 Bytes)

11.5.9 Bus Arbitration

This LSI is provided with a bus arbitration function that gives the bus to an external device when a request is issued from the device.

This bus arbitration supports master mode and slave mode. In master mode the bus is held on a steady state, and is released to another device in response to a bus request. In slave mode, the bus is not held in the steady state. Each time the external bus cycle occurs, the bus mastership is required, and the bus is released after completion of access.

Master mode and slave mode are specified by the external mode pin settings. In master mode and slave mode, the bus enters the high-impedance state when not being held. In master mode, it is possible to connect an external device that issues bus requests. In the following description, an external device that issues bus requests is called a slave.

This LSI has five internal bus masters, the CPU, DMAC, GDTA, DU, and PCIC. In addition to them, bus requests from external devices are issued. If requests occur simultaneously, priority is given, in high-to-low order, to a bus request from an external device, and internal bus master. The priority of the bus masters in this LSI is round-robin.

To prevent incorrect operation of connected devices when the bus is transferred between master and slave, all bus control signals are negated before the bus is released. In addition, when the bus mastership is received, bus control signals begin driving the bus from the negated state. Since the same signals are driven by the master and slave that exchange the bus, output buffer collisions can be avoided.

Bus transfer is executed between bus cycles.

When the bus release request signal ($\overline{\text{BREQ}}$) is asserted, this LSI releases the bus as soon as the currently executing bus cycle ends, and outputs the bus use permission signal ($\overline{\text{BACK}}$). However, bus release is not performed during multiple bus cycles generated because the data bus width is smaller than the access size (for example, when performing longword access to 8-bit bus width memory) or during a 32-byte transfer such as a cache fill or write-back. In addition, bus release is not performed between read and write cycles during execution of a TAS instruction, or between read and write cycles. When $\overline{\text{BREQ}}$ is negated, $\overline{\text{BACK}}$ is negated and use of the bus is resumed.

Since the CPU in this LSI is connected to cache memory by a dedicated internal bus, reading from cache memory can be carried out when the bus is being used by another bus master inside or outside the LSI. In writing from the CPU, an external write cycle is generated when write-through has been set for the cache in this LSI, or when an access is made to a cache-off area. In this case, operation is waited until the bus is returned.

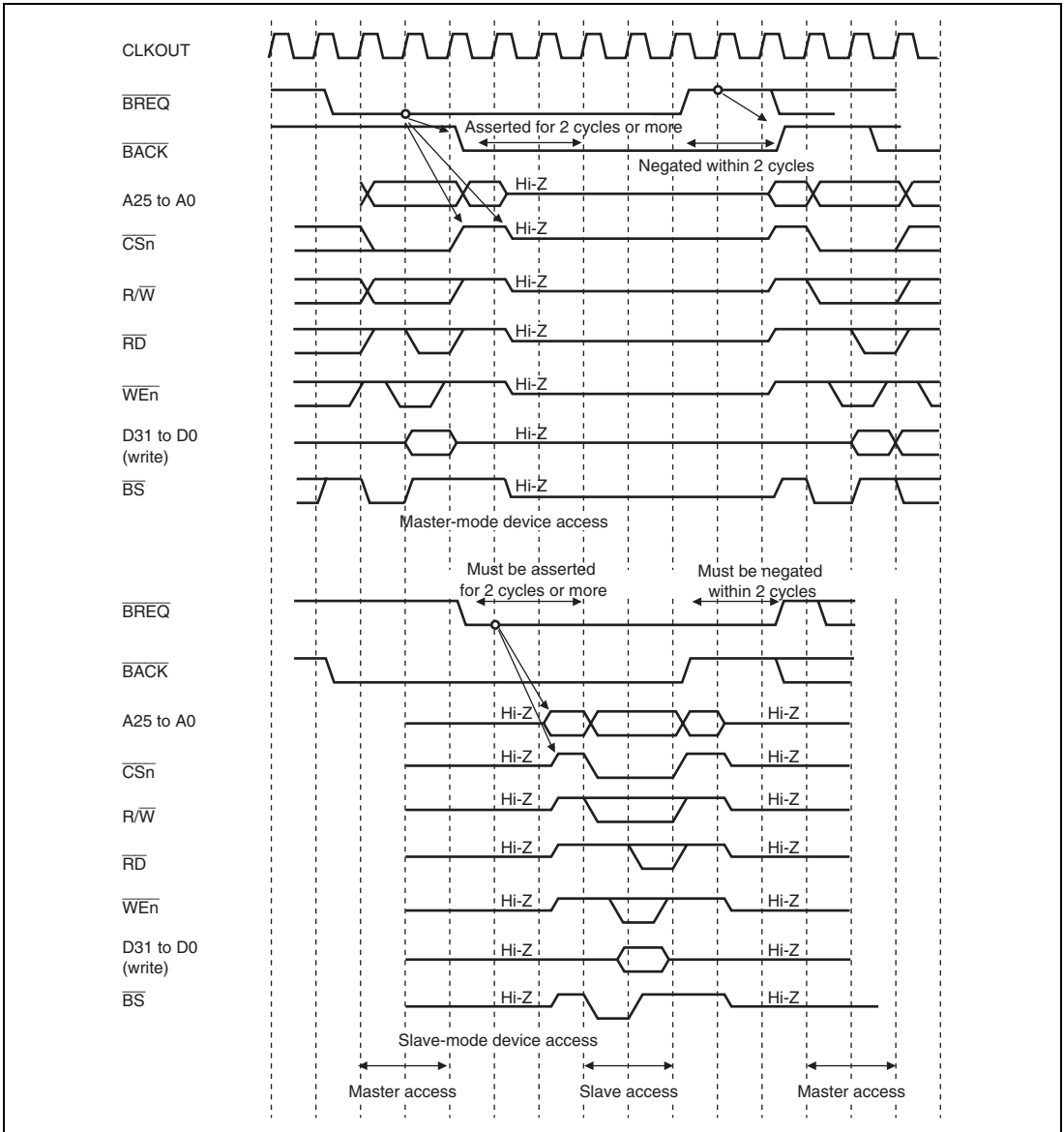


Figure 11.42 Arbitration Sequence

11.5.10 Master Mode

The processor in master mode holds the bus itself until it receives a bus request.

On receiving an assertion (low level) of the bus request signal ($\overline{\text{BREQ}}$) from the outside, the master mode processor releases the bus and asserts (drives low) the bus use permission signal ($\overline{\text{BACK}}$) as soon as the currently executing bus cycle ends. On receiving the $\overline{\text{BREQ}}$ negation (high level) indicating that the slave has released the bus, the processor negates (drives high) the $\overline{\text{BACK}}$ signal and resumes use of the bus.

When the bus is released, all bus control output signals and input/output signals related to bus interface enters a high-impedance state, except for $\overline{\text{BACK}}$ for bus arbitration and $\overline{\text{DACK0}}$ to $\overline{\text{DACK3}}$ for controlling DMA transfer.

The actual bus release sequence is as follows.

First, the bus use permission signal is asserted in synchronization with the rising edge of the clock. The address bus and data bus are put in a high-impedance state in synchronous with the rising edge of the clock next to the $\overline{\text{BACK}}$ assertion. At the same time, the bus control signals ($\overline{\text{BS}}$, $\overline{\text{CSn}}$, $\overline{\text{WEn}}$, $\overline{\text{RD}}$, $\overline{\text{R/W}}$, $\overline{\text{CE2A}}$, and $\overline{\text{CE2B}}$) enters a high-impedance state. These bus control signals are negated no later than one cycle before entering high-impedance. Bus request signal sampling is performed on the rising edge of the clock.

The sequence for re-acquiring the bus from the slave is as follows.

As soon as $\overline{\text{BREQ}}$ negation is detected on the rising edge of the clock, $\overline{\text{BACK}}$ is negated and bus control signal driving is started. Driving of the address bus and data bus starts at the next rising edge of an in-phase clock. The bus control signals are asserted and the bus cycle is actually started, at the earliest, at the clock rising edge at which the address and data signals are driven.

In order to reacquire the bus and start execution of bus access, the $\overline{\text{BREQ}}$ signal must be negated for at least two cycles.

11.5.11 Slave Mode

In slave mode, usually, the bus is released. Unless the bus control is hold by performing bus arbitration, the external device cannot be accessed. The bus is released at a reset, and the bus arbitration sequence starts from the fetch of the reset vector.

To get the bus mastership, the $\overline{\text{BSREQ}}$ signal is asserted (driven low) in synchronous with the rising edge of the clock. The $\overline{\text{BSACK}}$ signal, a bus use permission signal, is sampled at the rising edge of the clock. When the asserted $\overline{\text{BSACK}}$ is detected, the bus control signal is driven low at negate level after two cycles. At the following rising edge of the clock, the bus cycle starts. The signal negated last at the end of the access cycle is synchronized with the rising edge of the clock. As soon as the bus cycle ends, the $\overline{\text{BSREQ}}$ signal is negated to notify the master that the bus is released. At the next rising edge of the clock, the control signal is put in high-impedance.

If the processor in slave mode starts access, two or more cycles of $\overline{\text{BSACK}}$ signal assertion are required.

11.5.12 Cooperation between Master and Slave

To control system resources without contradiction by the master and slave, their respective roles must be clearly defined, as well as in the standby state implementing power-down mode.

The design of the SH7785 provides for all control, including initialization, and standby control, to be carried out by the master mode device.

If the SH7785 is specified as the master at a power-on reset, it will not accept bus requests from the slave until the $\overline{\text{BREQ}}$ enable bit (BREQEN in BCR) is set to 1.

To ensure that the slave processor does not access memory requiring initialization before completion of initialization, write 1 to the $\overline{\text{BREQ}}$ enable bit after the initialization is complete.

11.5.13 Power-Down Mode and Bus Arbitration

When deep sleep mode is used, in the system that performs bus arbitration, the BREQEN bit in BCR of the processor in master mode should be cleared to 0 before a transition is made to deep sleep mode. If a transition is made to deep sleep mode when the bit is set to 1, the operation is not guaranteed.

11.5.14 Mode Pin Settings and General Input Output Port Settings about Data Bus Width

Table 11.18 shows the examples of MODE pin settings and port settings (GPIO port control register) related to the selection of the data bus width used in the local bus.

Table 11.18 MODE Pin Settings and Port Settings Related to Data Bus Width Selection

Data Bus Width	Data Pins	MODE12	MODE11	GPIO Port Control Register					
				PACR	PBCR	PCCR	PDCR	PFCR	PGCR
64 bits	D63 to D0	H	L	H'0000	H'0000	H'0000	H'0000	H'0000	H'0000
32 bits	D31 to D0	Any	Any	Any	Any	Any	Any	H'0000	H'0000
16 bits	D16 to D0			Any	Any	Any	Any	Any	Any
8 bits	D7 to D0			Any	Any	Any	Any	Any	Any

Legend:

L: Low level

H: High level

Note: Concerning "any", setting should be correspondent to the system.

11.5.15 Pins Multiplexed with Other Modules Functions

Some pins used by the LBSC are multiplexed with general input output port (GPIO) and functions used in other peripheral modules. The pins to be used by the LBSC should start access after setting these pins to the LBSC functions with GPIO register. For example, when PCMCIA interface is used, the functions of CE2A and CE2B should be enabled with the GPIO bit in PIMSELR and the GPIO bit in PLCR before starting access.

11.5.16 Register Settings for Divided-Up $\overline{\text{DACKn}}$ Output

When the access size of DMAC1 transfer related to the local bus space is larger than the data bus width, multiple bus cycles are generated. When multiple bus cycles are generated and $\overline{\text{CS}}$ is negated between bus cycles, $\overline{\text{DACKn}}$ output is divided up, in the same way as $\overline{\text{CS}}$.

Tables 11.19 to 11.22 shows the register settings when $\overline{\text{DACKn}}$ output is not divided up in DMA1 transfer and when it is divided up.

Table 11.19 Register Settings for Divided-Up $\overline{\text{DACK}}_n$ Output in DMA1 Transfer Using the SRAM/Burst ROM/Byte Control SRAM Interfaces

Bus Width [Bit]	Access Size in DMA Transfer	Bus Cycle Number	Not Divided		Divided
			IWRRD, IWRRS, or IWW in CSnBCR	ADS and ADH in CSnWCR.	ADS and ADH inCSnWCR
8	Byte	1	—	—	Undividable
	Word	2	—	B'000	B'111 to B'001
	Longword	4	—	B'000	B'111 to B'001
	16 bytes	16	B'000	B'000	B'111 to B'001
	32 bytes	32	—	B'000	B'111 to B'001
16	Byte	1	—	—	Undividable
	Word	1	—	—	Undividable
	Longword	2	—	B'000	B'111 to B'001
	16 bytes	8	B'000	B'000	B'111 to B'001
	32 bytes	16	—	B'000	B'111 to B'001
32	Byte	1	—	—	Undividable
	Word	1	—	—	Undividable
	Longword	1	—	—	Undividable
	16 bytes	4	B'000	B'000	B'111 to B'001
	32 bytes	8	—	B'000	B'111 to B'001
64	Byte	1	—	—	Undividable
	Word	1	—	—	Undividable
	Longword	1	—	—	Undividable
	16 bytes	4	B'000	B'000	B'111 to B'001
	32 bytes	4	—	B'000	B'111 to B'001

Note: "—" means an arbitrary setting value. When transfer is done in a single bus cycle, $\overline{\text{DACK}}_n$ is not divided up because $\overline{\text{DACK}}_n$ is output once in DMA1 transfer.

Table 11.20 Register Settings for Divided-Up $\overline{\text{DACK}}_n$ Output in DMA1 Transfer Using the PCMCIA Interface

Bus Width [Bit]	Access Size	Bus Cycle Number	Not Divided	Divided
			IWRRD, IWRRS, or IWW in CSnBCR	IWRRD, IWRRS, or IWW in CSnBCR
8	Byte	1	—	Undividable
	Word	2	—	Undividable* ¹
	Longword	4	—	Undividable* ¹
	16 bytes	16	B'000	B'111 to B'001* ²
	32 bytes	32	—	Undividable* ¹
16	Byte	1	—	Undividable
	Word	1	—	Undividable
	Longword	2	—	Undividable* ¹
	16 bytes	8	B'000	B'111 to B'001* ²
	32 bytes	16	—	Undividable* ¹

Notes: "—" means an arbitrary setting value. When transfer is done in a single bus cycle, $\overline{\text{DACK}}_n$ is not divided up because $\overline{\text{DACK}}_n$ is output once in DMA1 transfer.

- Multiple bus cycles are generated, however, $\overline{\text{DACK}}_n$ cannot be divided.
- Can be divided only in longword units.

Table 11.21 Register Settings for Divided-Up $\overline{\text{DACK}}_n$ Output in DMA1 Transfer in Read Access Using the MPX Interface

Bus Width [Bit]	Access Size	Bus Cycle Number	Not Divided	Divided
			IWRRD or IWRRS, in CSnBCR	IWRRD or IWRRS, in CSnBCR
32	Byte	1	—	Undividable
	Word	1	—	Undividable
	Longword	1	—	Undividable
	16 bytes	4	Must be divided	—
	32 bytes	1	—	Undividable
64	Byte	1	—	Undividable
	Word	1	—	Undividable
	Longword	1	—	Undividable
	16 bytes	4	Must be divided	—
	32 bytes	1	—	Undividable

Note: "—" means an arbitrary setting value. When transfer is done in a single bus cycle, $\overline{\text{DACK}}_n$ is not divided up because $\overline{\text{DACK}}_n$ is output once in DMA1 transfer.

Table 11.22 Register Settings for Divided-Up $\overline{\text{DACKn}}$ Output in DMA1 Transfer in Write Access Using the MPX Interface

Bus Width [Bit]	Access Size	Bus Cycle Number	Not Divided		Divided
			IWW in CSnBCR	IW1 and IW0 in CSnWCR	IWW in CSnBCR
32	Byte	1	—	—	Undividable
	Word	1	—	—	Undividable
	Longword	1	—	—	Undividable
	16 bytes	4	B'000	B'11 to B'01	B'111 to B'001
	32 bytes	1	—	—	Undividable
64	Byte	1	—	—	Undividable
	Word	1	—	—	Undividable
	Longword	1	—	—	Undividable
	16 bytes	4	B'000	B'11 to B'01	B'111 to B'001
	32 bytes	1	—	—	Undividable

Note: "—" means an arbitrary setting value. When transfer is done in a single bus cycle, $\overline{\text{DACKn}}$ is not divided up because $\overline{\text{DACKn}}$ is output once in DMA1 transfer.

Section 12 DDR2-SDRAM Interface (DBSC2)

The DDR2-SDRAM interface (DBSC2) controls the DDR2-SDRAM.

12.1 Features

- Supports 32-bit and 16-bit external data bus widths
- Supports from DDR2-600 (controller operation at 300 MHz) to DDR2-400 (controller operation at 200 MHz)
- Connects to 64-bit SuperHyway internal bus
- Supports 1:1 clock ratio between SuperHyway clock and DDR clock
- Queue provided for interface with SuperHyway
- During power-on reset, pin MODE8 can be used to switch between big- and little-endian
- Supports 4-bank and 8-bank DDR2-SDRAMs
- Supports sequential mode with burst length 4
- Supports Additive Latency (AL) of 0 only
- Supports differential data strobe signal (DQS, \overline{DQS})

Note: RDQS is not supported.

- Supports self-refresh
- Supports power supply backup mode
- Supported DDR2-SDRAM addresses \times bit widths (total capacity) are as follows.

For details, refer to tables 12.12 through 12.19.

(When using 8-bank products, please refer to section 12.5.8, Important Information Regarding Use of 8-Bank DDR2-SDRAM Products.)

— DDR2-SDRAM data bus width: 32 bits

- Two 256 Mbits ($16M \times 16$ bits) connected in parallel (total capacity = 512 Mbits)
- Four 256 Mbits ($32M \times 8$ bits) connected in parallel (total capacity = 1 Gbit)
- Two 512 Mbits ($32M \times 16$ bits) connected in parallel (total capacity = 1 Gbit)
- Four 512 Mbits ($64M \times 8$ bits) connected in parallel (total capacity = 2 Gbits)
- Two 1 Gbit ($64M \times 16$ bits) connected in parallel (total capacity = 2 Gbits)
- Four 1 Gbit ($128M \times 8$ bits) connected in parallel (total capacity = 4 Gbits)
- Two 2 Gbits ($128M \times 16$ bits) connected in parallel (total capacity = 4 Gbits)
- Four 2 Gbits ($256M \times 8$ bits) connected in parallel (total capacity = 8 Gbits)

— DDR2-SDRAM data bus width: 16 bits

- One 256 Mbits (16M × 16 bits) connected in parallel (total capacity = 256 Mbits)
- Two 256 Mbits (32M × 8 bits) connected in parallel (total capacity = 512 Mbits)
- One 512 Mbits (32M × 16 bits) connected in parallel (total capacity = 512 Mbits)
- Two 512 Mbits (64M × 8 bits) connected in parallel (total capacity = 1 Gbit)
- One 1 Gbit (64M × 16 bits) connected in parallel (total capacity = 1 Gbit)
- Two 1 Gbit (128M × 8 bits) connected in parallel (total capacity = 2 Gbits)
- One 2 Gbits (128M × 16 bits) connected in parallel (total capacity = 2 Gbits)
- Two 2 Gbits (256M × 8 bits) connected in parallel (total capacity = 4 Gbits)

Figure 12.1 shows a block diagram of the DBSC2.

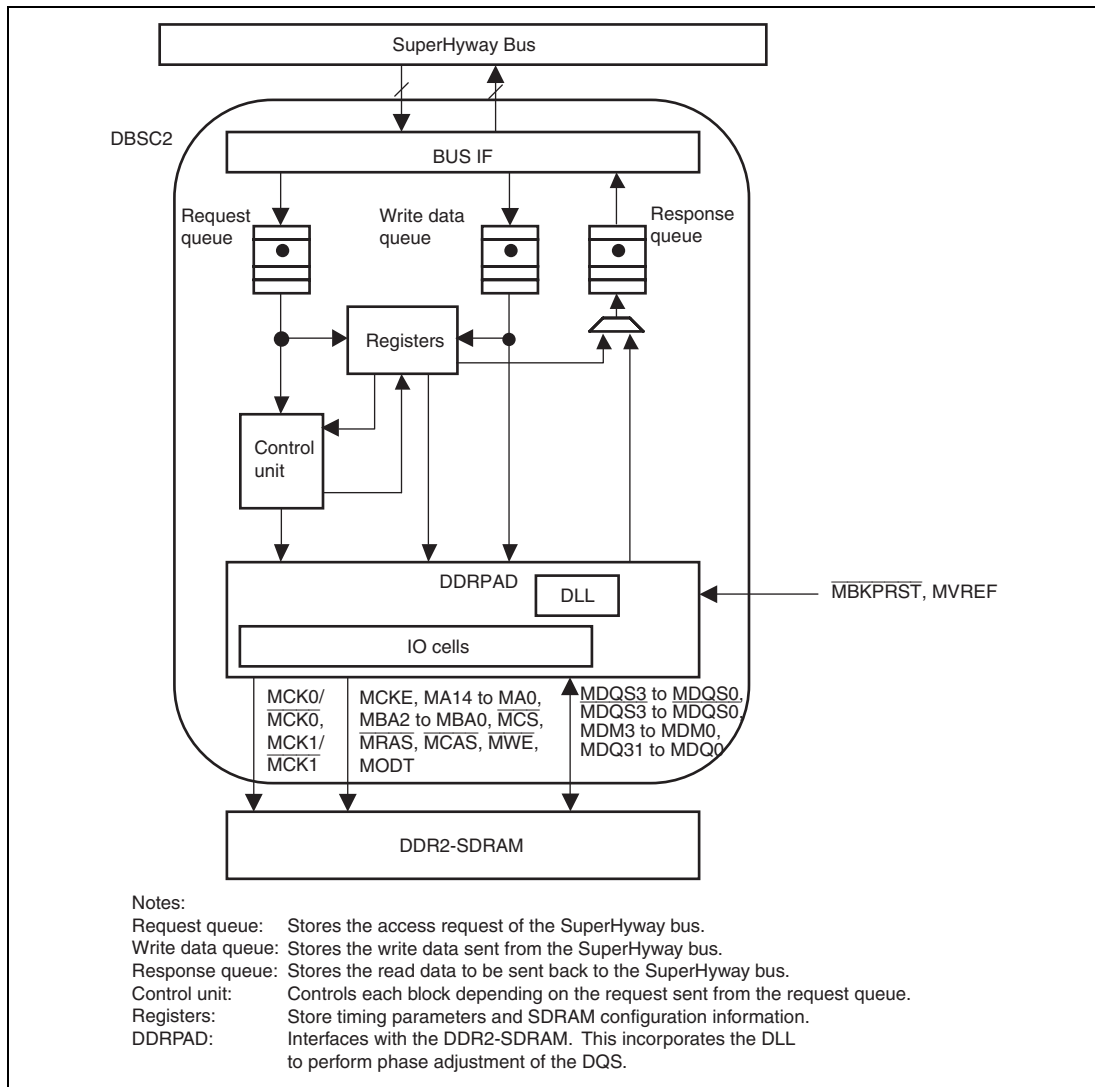


Figure 12.1 Block Diagram of the DBSC2

12.2 Input/Output Pins

Table 12.1 shows the pin configuration of the DBSC2.

Table 12.1 Pin Configuration of the DBSC2

Pin Name	Function	I/O	Description
MCK0	DDR2-SDRAM clock 0	Output	Clock output for the DDR2-SDRAM
$\overline{\text{MCK0}}$	DDR2-SDRAM clock 0	Output	Clock output for the DDR2-SDRAM or MCK0 inverted clock output
MCK1	DDR2-SDRAM clock 1	Output	Clock output for the DDR2-SDRAM
$\overline{\text{MCK1}}$	DDR2-SDRAM clock 1	Output	Clock output for the DDR2-SDRAM or MCK1 inverted clock output
MCKE	Clock enable	Output	CKE output signal
$\overline{\text{MCS}}$	Chip select	Output	Chip select output signal
$\overline{\text{MWE}}$	Write enable	Output	Write enable output signal
$\overline{\text{MRAS}}$	Row address strobe	Output	Row address strobe output signal
$\overline{\text{MCAS}}$	Column address strobe	Output	Column address strobe output signal
MA14 to MA0	Addresses	Output	Address output signals
MBA2, MBA1, MBA0	Bank active	Output	Bank address output signal
MDQ31 to MDQ0	Data	I/O	Data I/O signals
MDQS3 to MDQS0	I/O data strobe	I/O	Data strobe I/O signals
$\overline{\text{MDQS3}}$ to $\overline{\text{MDQS0}}$	I/O data strobe	I/O	Data strobe I/O signals or MDQS3 to MDQS0 inverted signals
MDM3 to MDM0	Data mask	Output	Data mask output signals
MODT	ODT enable	Output	ODT enable output signal to the SDRAM
$\overline{\text{MBKPRST}}$	Power backup reset	Input	Used in power backup mode. When this pin is brought low level, the MCKE pin is also pulled low.
MVREF	Reference voltage input	Input	Input reference voltage

The frequency of the SDRAM operation clocks $\overline{\text{MCK0}}$, $\overline{\text{MCK0}}$, $\overline{\text{MCK1}}$, and $\overline{\text{MCK1}}$ is the same as the frequency of the DDR clock.

MDQ7 to MDQ0 correspond to MDQS0 and MDM0, MDQ15 to MDQ8 correspond to MDQS1 and MDM1, MDQ23 to MDQ16 correspond to MDQS2 and MDM2, and MDQ31 to MDQ24 correspond to MDQS3 and MDM3. When the external data bus width is 16 bits, MDQ15 to MDQ0 are used.

Table 12.2 shows an example of connections when a total of four 2-Gb DDR2-SDRAM units ($256\text{M} \times 8$ bits) are used, with the external data bus width set to 32 bits. Command-related signals ($\overline{\text{MCKE}}$, $\overline{\text{MWE}}$, $\overline{\text{MCS}}$, $\overline{\text{MRAS}}$, $\overline{\text{MCAS}}$, MA14- MA0, MBA2- MBA0) are connected in common to four DDR2-SDRAM units. Data signals (MDQ31 to MDQ0, MDQS3 to MDQS0, $\overline{\text{MDQS3}}$ to $\overline{\text{MDQS0}}$, and MDM3 to MDM0) are connected to memory in 8-bit units. Clocks $\overline{\text{MCK1}}$ and $\overline{\text{MCK1}}$ are connected to DDR2-SDRAM corresponding to the data signal upper sides (MDQ31 to MDQ16, MDQS3, MDQS2, $\overline{\text{MDQS3}}$, $\overline{\text{MDQS2}}$, MDM3, and MDM2), and $\overline{\text{MCK0}}$ and $\overline{\text{MCK0}}$ are connected to DDR2-SDRAM corresponding to the lower sides (MDQ15 to MDQ0, MDQS1, MDQS0, $\overline{\text{MDQS1}}$, $\overline{\text{MDQS0}}$, MDM1, and MDM0). Address pins MA14 to MA0 should be connected to the DDR2-SDRAM address pins, without swapping the order.

Nothing should be connected to unused pins.

**Table 12.2 An Example of DDR2-SDRAM Connection
(When Four 2-Gb DDR2-SDRAM Units (256 M × 8 Bits) Are Used)**

Memory	MCK1, MCK1	MCK0, MCK0	MODT, MCKE, MCS, MRAS, MCAS, MWE, MA14 to MA0, MBA2 to MBA0	MDQ31 to MDQ24, MDQS3, MDQS3, MDM3	MDQ23 to MDQ16, MDQS2, MDQS2, MDM2	MDQ15 to MDQ8, MDQS1, MDQS1, MDM1	MDQ7 to MDQ0, MDQS0, MDQS0, MDM0
Memory #1	Connected* ¹		Connected* ²	Connected* ³			
Memory #2	Connected* ¹		Connected* ²		Connected* ⁴		
Memory #3		Connected* ¹	Connected* ²			Connected* ⁵	
Memory #4		Connected* ¹	Connected* ²				Connected* ⁶

Notes: 1. SDRAM pins should be connected as shown below.

Memory #1 and #2		Memory #3 and #4	
Pins	SH7785 Pins	Pins	SH7785 Pins
CK	MCK1	CK	MCK0
CK	MCK1	CK	MCK0

2. SDRAM pins should be connected as shown below.

Memory #1 to #4		Memory #1 to #4	
Pins	SH7785 Pins	Pins	SH7785 Pins
ODT	MODT	A8	MA8
CKE	MCKE	A7	MA7
CS	MCS	A6	MA6
RAS	MRAS	A5	MA5
CAS	MCAS	A4	MA4
WE	MWE	A3	MA3
A14	MA14	A2	MA2
A13	MA13	A1	MA1
A12	MA12	A0	MA0
A11	MA11	BA2	MBA2
A10	MA10	BA1	MBA1
A9	MA9	BA0	MBA0

3. SDRAM pins should be connected as shown below.

Memory #1 Pins	SH7785 Pins
DQS	MDQS3
$\overline{\text{DQS}}$	$\overline{\text{MDQS3}}$
DM	MDM3
DQ7	MDQ31
DQ6	MDQ30
DQ5	MDQ29
DQ4	MDQ28
DQ3	MDQ27
DQ2	MDQ26
DQ1	MDQ25
DQ0	MDQ24

4. SDRAM pins should be connected as shown below.

Memory #2 Pins	SH7785 Pins
DQS	MDQS2
$\overline{\text{DQS}}$	$\overline{\text{MDQS2}}$
DM	MDM2
DQ7	MDQ23
DQ6	MDQ22
DQ5	MDQ21
DQ4	MDQ20
DQ3	MDQ19
DQ2	MDQ18
DQ1	MDQ17
DQ0	MDQ16

5. SDRAM pins should be connected as shown below.

Memory #3 Pins	SH7785 Pins
DQS	MDQS1
$\overline{\text{DQS}}$	$\overline{\text{MDQS1}}$
DM	MDM1
DQ7	MDQ15
DQ6	MDQ14
DQ5	MDQ13
DQ4	MDQ12
DQ3	MDQ11
DQ2	MDQ10
DQ1	MDQ9
DQ0	MDQ8

6. SDRAM pins should be connected as shown below.

Memory #4 Pins	SH7785 Pins
DQS	MDQS0
$\overline{\text{DQS}}$	$\overline{\text{MDQS0}}$
DM	MDM0
DQ7	MDQ7
DQ6	MDQ6
DQ5	MDQ5
DQ4	MDQ4
DQ3	MDQ3
DQ2	MDQ2
DQ1	MDQ1
DQ0	MDQ0

12.3 Data Alignment

The DBSC2 accesses DDR2-SDRAM with a fixed burst length of 4 (figure 12.2). As shown in table 12.3 and table 12.4, invalid read data is discarded during reading, and data mask signals are used to mask invalid data during writing, according to the access size. The access times in tables 12.3 and 12.4 correspond to the burst times during reading/writing shown in figure 12.2. For example, when the external bus width is 32 bits with a little endian, the second access (falling edge of DQS) includes valid data if a byte access of address $(8n + 0, 1, 2, 3)$ occurs.

Tables 12.5 to 12.8 show the correspondence with data on the external data bus for each access size. During 16-byte and 32-byte accesses, quad word (8 bytes) access is combined, and the SDRAM command is issued the necessary number of times according to the size to access the SDRAM as shown in figures 12.3 and 12.4. The DDR2-SDRAM specification stipulates sequential address changes ($0 \rightarrow 1 \rightarrow 2 \rightarrow 3$, $1 \rightarrow 2 \rightarrow 3 \rightarrow 0$, $2 \rightarrow 3 \rightarrow 0 \rightarrow 1$, $3 \rightarrow 0 \rightarrow 1 \rightarrow 2$), so that the address provided as a command is different for reading and for writing. Endian switching is performed at power-on reset by switching using external pin MODE8.

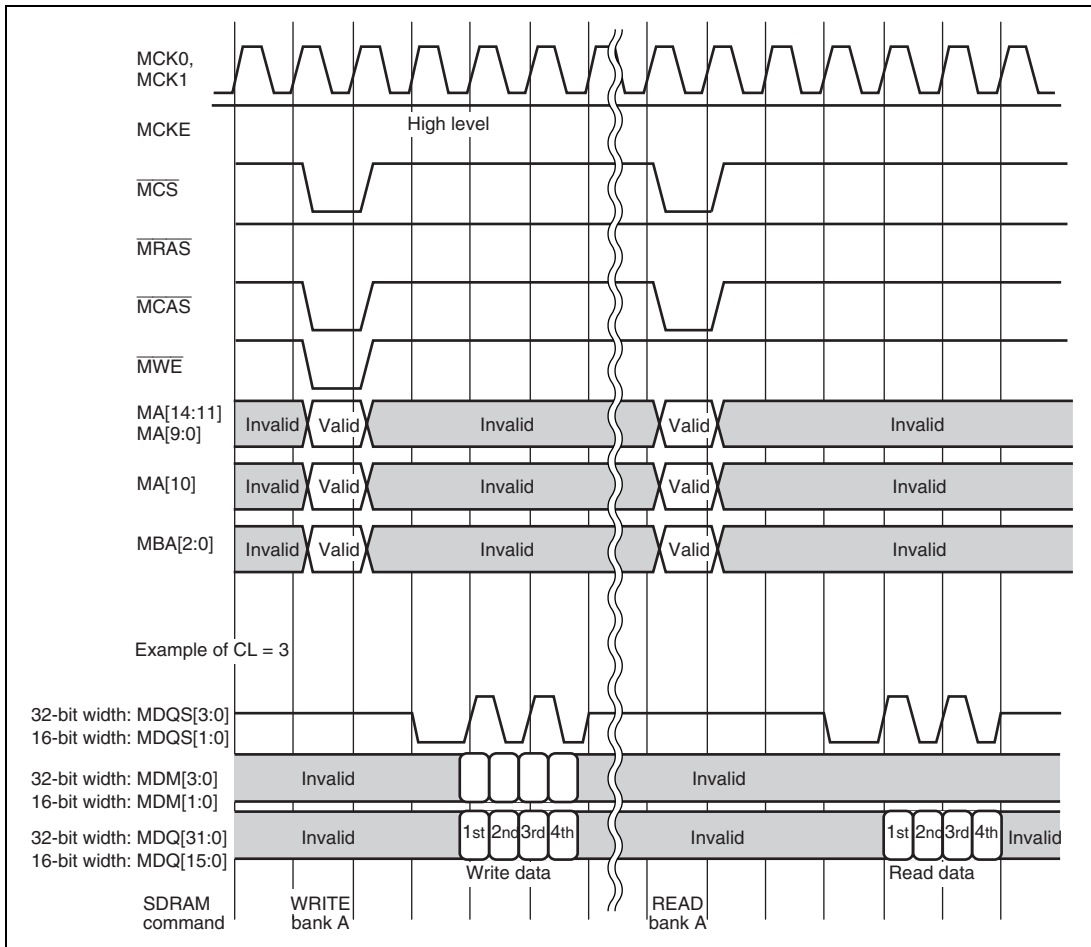


Figure 12.2 Burst Access Operation

Table 12.3 Positions of Valid Data for Access with Burst Length of 4, when the External Data Bus Width Is Set to 32 Bits

(1) Little Endian	First Access	Second Access	Third Access	Fourth Access
Byte access (address $8n + 0,1,2,3$)	Invalid	Valid	Invalid	Invalid
Byte access (address $8n + 4,5,6,7$)	Valid	Invalid	Invalid	Invalid
Word access (address $8n + 0,2$)	Invalid	Valid	Invalid	Invalid
Word access (address $8n + 4,6$)	Valid	Invalid	Invalid	Invalid
Longword access (address $8n + 0$)	Invalid	Valid	Invalid	Invalid
Longword access (address $8n + 4$)	Valid	Invalid	Invalid	Invalid
Quadword access (address $8n + 0$)	Valid	Valid	Invalid	Invalid
(2) Big Endian	First Access	Second Access	Third Access	Fourth Access
Byte access (address $8n + 0,1,2,3$)	Valid	Invalid	Invalid	Invalid
Byte access (address $8n + 4,5,6,7$)	Invalid	Valid	Invalid	Invalid
Word access (address $8n + 0,2$)	Valid	Invalid	Invalid	Invalid
Word access (address $8n + 4,6$)	Invalid	Valid	Invalid	Invalid
Longword access (address $8n + 0$)	Valid	Invalid	Invalid	Invalid
Longword access (address $8n + 4$)	Invalid	Valid	Invalid	Invalid
Quadword access (address $8n + 0$)	Valid	Valid	Invalid	Invalid

Table 12.4 Positions of Valid Data for Access with Burst Length of 4, when the External Data Bus Width Is Set to 16 Bits

(1) Little Endian	First Access	Second Access	Third Access	Fourth Access
Byte access (address $8n + 0,1$)	Invalid	Invalid	Invalid	Valid
Byte access (address $8n + 2,3$)	Invalid	Invalid	Valid	Invalid
Byte access (address $8n + 4,5$)	Invalid	Valid	Invalid	Invalid
Byte access (address $8n + 6,7$)	Valid	Invalid	Invalid	Invalid
Word access (address $8n + 0$)	Invalid	Invalid	Invalid	Valid
Word access (address $8n + 2$)	Invalid	Invalid	Valid	Invalid
Word access (address $8n + 4$)	Invalid	Valid	Invalid	Invalid
Word access (address $8n + 6$)	Valid	Invalid	Invalid	Invalid
Longword access (address $8n + 0$)	Invalid	Invalid	Valid	Valid
Longword access (address $8n + 4$)	Valid	Valid	Invalid	Invalid
Quadword access (address $8n + 0$)	Valid	Valid	Valid	Valid

(2) Big Endian	First Access	Second Access	Third Access	Fourth Access
Byte access (address $8n + 0,1$)	Valid	Invalid	Invalid	Invalid
Byte access (address $8n + 2,3$)	Invalid	Valid	Invalid	Invalid
Byte access (address $8n + 4,5$)	Invalid	Invalid	Valid	Invalid
Byte access (address $8n + 6,7$)	Invalid	Invalid	Invalid	Valid
Word access (address $8n + 0$)	Valid	Invalid	Invalid	Invalid
Word access (address $8n + 2$)	Invalid	Valid	Invalid	Invalid
Word access (address $8n + 4$)	Invalid	Invalid	Valid	Invalid
Word access (address $8n + 6$)	Invalid	Invalid	Invalid	Valid
Longword access (address $8n + 0$)	Valid	Valid	Invalid	Invalid
Longword access (address $8n + 4$)	Invalid	Invalid	Valid	Valid
Quadword access (address $8n + 0$)	Valid	Valid	Valid	Valid

Table 12.5 Data Alignment for Access in Little Endian when External Data Bus Width Is Set to 32 Bits

Access Size	Address	MDQ31 to MDQ24	MDQ23 to MDQ16	MDQ15 to MDQ8	MDQ7 to MDQ0
Byte	Address 0				Data 7 to 0
	Address 1			Data 7 to 0	
	Address 2		Data 7 to 0		
	Address 3	Data 7 to 0			
	Address 4				Data 7 to 0
	Address 5			Data 7 to 0	
	Address 6		Data 7 to 0		
	Address 7	Data 7 to 0			
Word	Address 0			Data 15 to 8	Data 7 to 0
	Address 2	Data 15 to 8	Data 7 to 0		
	Address 4			Data 15 to 8	Data 7 to 0
	Address 6	Data 15 to 8	Data 7 to 0		
Longword	Address 0	Data 31 to 24	Data 23 to 16	Data 15 to 8	Data 7 to 0
	Address 4	Data 31 to 24	Data 23 to 16	Data 15 to 8	Data 7 to 0

Access Size	Address	MDQ31 to MDQ24	MDQ23 to MDQ16	MDQ15 to MDQ8	MDQ7 to MDQ0
Quadword	Address 0	Data	Data	Data	Data
	(First access: address 4)	63 to 56	55 to 48	47 to 40	39 to 32
	Address 0	Data	Data	Data	Data
	(Second access: Address 0)	31 to 24	23 to 16	15 to 8	7 to 0

Table 12.6 Data Alignment for Access in Big Endian when External Data Bus Width Is Set to 32 Bits

Access Size	Address	MDQ31 to MDQ24	MDQ23 to MDQ16	MDQ15 to MDQ8	MDQ7 to MDQ0
Byte	Address 0	Data 7 to 0			
	Address 1		Data 7 to 0		
	Address 2			Data 7 to 0	
	Address 3				Data 7 to 0
	Address 4	Data 7 to 0			
	Address 5		Data 7 to 0		
	Address 6			Data 7 to 0	
	Address 7				Data 7 to 0

Access Size	Address	MDQ31 to MDQ24	MDQ23 to MDQ16	MDQ15 to MDQ8	MDQ7 to MDQ0
Word	Address 0	Data 15 to 8	Data 7 to 0		
	Address 2			Data 15 to 8	Data 7 to 0
	Address 4	Data 15 to 8	Data 7 to 0		
	Address 6			Data 15 to 8	Data 7 to 0
Longword	Address 0	Data 31 to 24	Data 23 to 16	Data 15 to 8	Data 7 to 0
	Address 4	Data 31 to 24	Data 23 to 16	Data 15 to 8	Data 7 to 0
Quadword	Address 0 (First access: Address 0)	Data 63 to 56	Data 55 to 48	Data 47 to 40	Data 39 to 32
	Address 0 (Second access: Address 4)	Data 31 to 24	Data 23 to 16	Data 15 to 8	Data 7 to 0

Table 12.7 Data Alignment for Access in Little Endian when External Data Bus Width Is Set to 16 Bits

Access Size	Address	MDQ15 to MDQ8	MDQ7 to MDQ0
Byte	Address 0		Data 7 to 0
	Address 1	Data 7 to 0	
	Address 2		Data 7 to 0
	Address 3	Data 7 to 0	
	Address 4		Data 7 to 0
	Address 5	Data 7 to 0	
	Address 6		Data 7 to 0
	Address 7	Data 7 to 0	
Word	Address 0	Data 15 to 8	Data 7 to 0
	Address 2	Data 15 to 8	Data 7 to 0
	Address 4	Data 15 to 8	Data 7 to 0
	Address 6	Data 15 to 8	Data 7 to 0

Access Size	Address	MDQ15 to MDQ8	MDQ7 to MDQ0
Longword	Address 0	Data	Data
	(First access: Address 2)	31 to 24	23 to 16
	Address 0	Data	Data
	(Second access: Address 0)	15 to 8	7 to 0
	Address 4	Data	Data
	(First access: Address 6)	31 to 24	23 to 16
	Address 4	Data	Data
	(Second access: Address 4)	15 to 8	7 to 0
Quadword	Address 0	Data	Data
	(First access: Address 6)	63 to 56	55 to 48
	Address 0	Data	Data
	(Second access: Address 4)	47 to 40	39 to 32
	Address 0	Data	Data
	(Third access: Address 2)	31 to 24	23 to 16
	Address 0	Data	Data
	(Fourth access: Address 0)	15 to 8	7 to 0

Table 12.8 Data Alignment for Access in Big Endian when External Data Bus Width Is Set to 16 Bits

Access Size	Address	MDQ15 to MDQ8	MDQ7 to MDQ0
Byte	Address 0	Data 7 to 0	
	Address 1		Data 7 to 0
	Address 2	Data 7 to 0	
	Address 3		Data 7 to 0
	Address 4	Data 7 to 0	
	Address 5		Data 7 to 0
	Address 6	Data 7 to 0	
	Address 7		Data 7 to 0
Word	Address 0	Data 15 to 8	Data 7 to 0
	Address 2	Data 15 to 8	Data 7 to 0
	Address 4	Data 15 to 8	Data 7 to 0
	Address 6	Data 15 to 8	Data 7 to 0

Access Size	Address	MDQ15 to MDQ8	MDQ7 to MDQ0
Longword	Address 0	Data	Data
	(First access: Address 0)	31 to 24	23 to 16
	Address 0	Data	Data
	(Second access: Address 2)	15 to 8	7 to 0
	Address 4	Data	Data
	(First access: Address 4)	31 to 24	23 to 16
Quadword	Address 4	Data	Data
	(Second access: Address 6)	15 to 8	7 to 0
	Address 0	Data	Data
	(First access: Address 0)	63 to 56	55 to 48
	Address 0	Data	Data
	(Second access: Address 2)	47 to 40	39 to 32
Quadword	Address 0	Data	Data
	(Third access: Address 4)	31 to 24	23 to 16
	Address 0	Data	Data
	(Fourth access: Address 6)	15 to 8	7 to 0

When the external bus width is set to 16 bits

16-byte read/write access (a total of two commands are issued)

	1st access	2nd access
Address $16n + 0$	$16n + 0$	$16n + 8$
Address $16n + 8$	$16n + 8$	$16n + 0$

32-byte read access (a total of four commands are issued)

	1st access	2nd access	3rd access	4th access
Address $32n + 0$	$32n + 0$	$32n + 8$	$32n + 16$	$32n + 24$
Address $32n + 8$	$32n + 0$	$32n + 8$	$32n + 16$	$32n + 24$
Address $32n + 16$	$32n + 16$	$32n + 24$	$32n + 0$	$32n + 8$
Address $32n + 24$	$32n + 16$	$32n + 24$	$32n + 0$	$32n + 8$

32-byte write access (a total of four commands are issued)

	1st access	2nd access	3rd access	4th access
Address $32n + 0$	$32n + 0$	$32n + 8$	$32n + 16$	$32n + 24$
Address $32n + 8$	$32n + 16$	$32n + 24$	$32n + 0$	$32n + 8$
Address $32n + 16$	$32n + 16$	$32n + 24$	$32n + 0$	$32n + 8$
Address $32n + 24$	$32n + 0$	$32n + 8$	$32n + 16$	$32n + 24$

Figure 12.3 Addresses Generated upon 16/32-Byte Access when the External Data Bus Width Is 16 Bits

When the external bus width is set to 32 bits

16-byte read/write access (a total of one command is issued)

	1st access
Address $16n + 0$	$16n + 0$
Address $16n + 8$	$16n + 8$

32-byte read access (a total of two commands are issued)

	1st access	2nd access
Address $32n + 0$	$32n + 0$	$32n + 16$
Address $32n + 8$	$32n + 0$	$32n + 16$
Address $32n + 16$	$32n + 16$	$32n + 0$
Address $32n + 24$	$32n + 16$	$32n + 0$

32-byte write access (a total of two commands are issued)

	1st access	2nd access
Address $32n + 0$	$32n + 0$	$32n + 16$
Address $32n + 8$	$32n + 16$	$32n + 0$
Address $32n + 16$	$32n + 16$	$32n + 0$
Address $32n + 24$	$32n + 0$	$32n + 16$

Figure 12.4 Addresses Generated upon 16/32-Byte Access when the External Data Bus Width Is 32 Bits

12.4 Register Descriptions

Table 12.9 shows the DBSC2 register configuration; Table 12.10 shows register states in the different processing modes.

The register bit width is 32 bits, and the longword size (32 bits) should be used for register access. If registers are accessed with sizes other than the longword size, correct operation cannot be guaranteed.

The DBSC2 register area is, in P4 addresses, from H'FE80 0000 to H'FEFF FFFF and in area 7 addresses, from H'FE800000 to H'FEFFFFFFA. If an address other than the register addresses indicated in table 12.9 is accessed, correct operation cannot be guaranteed.

Table 12.9 DBSC2 Register Configuration

Register Name	Abbreviation	R/W	P4 Area Address	Area 7 Address	Access Size (Bits)	Synchronization Clock
DBSC2 status register	DBSTATE	R	H'FE80 000C	H'1E80 000C	32	DDRck
SDRAM operation enable register	DBEN	R/W	H'FE80 0010	H'1E80 0010	32	DDRck
SDRAM command control register	DBCMDCNT	R/W	H'FE80 0014	H'1E80 0014	32	DDRck
SDRAM configuration setting register	DBCONF	R/W	H'FE80 0020	H'1E80 0020	32	DDRck
SDRAM timing register 0	DBTR0	R/W	H'FE80 0030	H'1E80 0030	32	DDRck
SDRAM timing register 1	DBTR1	R/W	H'FE80 0034	H'1E80 0034	32	DDRck
SDRAM timing register 2	DBTR2	R/W	H'FE80 0038	H'1E80 0038	32	DDRck
SDRAM refresh control register 0	DBRFCNT0	R/W	H'FE80 0040	H'1E80 0040	32	DDRck
SDRAM refresh control register 1	DBRFCNT1	R/W	H'FE80 0044	H'1E80 0044	32	DDRck
SDRAM refresh control register 2	DBRFCNT2	R/W	H'FE80 0048	H'1E80 0048	32	DDRck
SDRAM refresh status register	DBRFSTS	R/W	H'FE80 004C	H'1E80 004C	32	DDRck
DDRPAD frequency setting register	DBFREQ	R/W	H'FE80 0050	H'1E80 0050	32	DDRck
DDRPAD DIC, ODT, OCD setting register	DBDICODTO CD	R/W	H'FE80 0054	H'1E80 0054	32	DDRck
SDRAM mode setting register	DBMRCNT	W	H'FE80 0060	H'1E80 0060	32	DDRck

Table 12.10 Register Status in each Processing Mode

Register Name	Abbreviation	Power-On Reset	Manual Reset	Sleep/Deep Sleep
		By $\overline{\text{PRESET}}$ pin/ WDT/H-UDI	By WDT/Multiple Exception	By SLEEP Instruction
DBSC2 status register	DBSTATE	H'0000 0x00*	Retained	Retained
SDRAM operation enable register	DBEN	H'0000 0000	Retained	Retained
SDRAM command control register	DBCMDCNT	H'0000 0000	Retained	Retained
SDRAM configuration setting register	DBCONF	H'009A 0001	Retained	Retained
SDRAM timing register 0	DBTR0	H'0203 0501	Retained	Retained
SDRAM timing register 1	DBTR1	H'0001 0001	Retained	Retained
SDRAM timing register 2	DBTR2	H'0104 0303	Retained	Retained
SDRAM refresh control register 0	DBRFCNT0	H'0000 0000	Retained	Retained
SDRAM refresh control register 1	DBRFCNT1	H'0000 0200	Retained	Retained
SDRAM refresh control register 2	DBRFCNT2	H'1000 0080	Retained	Retained
SDRAM refresh status register	DBRFSTS	H'0000 0000	Retained	Retained
DDRPAD frequency setting register	DBFREQ	H'0000 0000	Retained	Retained
DDRPAD DIC, ODT, OCD setting register	DBDICODTOCD	H'0000 0007	Retained	Retained
SDRAM mode setting register	DBMRCNT	Undefined	Retained	Retained

Note: * Initial value is specified by external pin MODE8.

12.4.1 DBSC2 Status Register (DBSTATE)

The DBSC2 status register (DBSTATE) is a read-only register. Writing is invalid. It is initialized only upon power-on reset.

Bit:	31	30	29	28	27	26	25	24	23	22	21	20	19	18	17	16
	—	—	—	—	—	—	—	—	—	—	—	—	—	—	—	—
Initial value:	0	0	0	0	0	0	0	0	0	0	0	0	0	0	0	0
R/W:	R	R	R	R	R	R	R	R	R	R	R	R	R	R	R	R
Bit:	15	14	13	12	11	10	9	8	7	6	5	4	3	2	1	0
	—	—	—	—	—	—	—	ENDN	—	—	—	—	—	—	—	—
Initial value:	0	0	0	0	0	0	0	x*	0	0	0	0	0	0	0	0
R/W:	R	R	R	R	R	R	R	R	R	R	R	R	R	R	R	R

Note: * Initial value is specified by external pin MODE8.

Bit	Bit Name	Initial Value	R/W	Description
31 to 9	—	All 0	R	Reserved These bits are always read as 0.
8	ENDN	x*	R	Endian Display Bit Displays the endian of the DBSC2 set by external pin MODE8. 0: Big endian 1: Little endian
7 to 0	—	All 0	R	Reserved These bits are always read as 0.

Note: * Initial value is specified by external pin MODE8.

12.4.2 SDRAM Operation Enable Register (DBEN)

The SDRAM operation enable register (DBEN) is a readable/writable register. It is initialized only upon power-on reset.

Bit:	31	30	29	28	27	26	25	24	23	22	21	20	19	18	17	16
	—	—	—	—	—	—	—	—	—	—	—	—	—	—	—	—
Initial value:	0	0	0	0	0	0	0	0	0	0	0	0	0	0	0	0
R/W:	R	R	R	R	R	R	R	R	R	R	R	R	R	R	R	R
Bit:	15	14	13	12	11	10	9	8	7	6	5	4	3	2	1	0
	—	—	—	—	—	—	—	—	—	—	—	—	—	—	—	ACEN
Initial value:	0	0	0	0	0	0	0	0	0	0	0	0	0	0	0	0
R/W:	R	R	R	R	R	R	R	R	R	R	R	R	R	R	R	R/W

Bit	Bit Name	Initial Value	R/W	Description
31 to 1	—	All 0	R	Reserved These bits are always read as 0. The write value should always be 0. Operation when a value other than 0 is written is not guaranteed.
0	ACEN	0	R/W	SDRAM Access Enable Bit By setting this bit, data accessing of SDRAM is enabled. When set to 0, access is disabled; when set to 1, access is enabled. When access is disabled, attempts to access SDRAM are ignored. This bit is used for the initialization sequence or self-refresh operation. 0: Disables access 1: Enables access

12.4.3 SDRAM Command Control Register (DBCMDCNT)

The SDRAM command control register (DBCMDCNT) is a readable/writable register. It is initialized only upon power-on reset. The CMD2 to CMD0 bits in DBCMDCNT are always read as 000.

Bit:	31	30	29	28	27	26	25	24	23	22	21	20	19	18	17	16
	—	—	—	—	—	—	—	—	—	—	—	—	—	—	—	—
Initial value:	0	0	0	0	0	0	0	0	0	0	0	0	0	0	0	0
R/W:	R	R	R	R	R	R	R	R	R	R	R	R	R	R	R	R
Bit:	15	14	13	12	11	10	9	8	7	6	5	4	3	2	1	0
	—	—	—	—	—	—	—	—	—	—	—	—	—	CMD2	CMD1	CMD0
Initial value:	0	0	0	0	0	0	0	0	0	0	0	0	0	0	0	0
R/W:	R	R	R	R	R	R	R	R	R	R	R	R	R	R/W	R/W	R/W

Bit	Bit Name	Initial Value	R/W	Description
31 to 3	—	All 0	R	Reserved These bits are always read as 0. The write value should always be 0. Operation when a value other than 0 is written is not guaranteed.

Bit	Bit Name	Initial Value	R/W	Description
2 to 0	CMD2 to CMD0	000	R/W	<p>SDRAM Command Issue Bit</p> <p>These bits are used to issue commands necessary to execute the DDR2-SDRAM initialization sequence and self-refresh transition/cancellation. When these bits are written, the command corresponding to the written value is issued once. For example, in order to issue the auto-refresh command twice, it would be necessary to write 100 to these bits twice. The precharge interval, minimum interval between auto-refresh and the next command, and other intervals are values set in the SDRAM timing register, described below. When read, these bits are always read as 000.</p> <p>Once writing is performed to enable the MCKE signal, it remains enabled. During self-refresh control, the MCKE goes to low level, but on cancellation MCKE automatically returns to high level.</p> <p>For details on the MCKE signal operation, refer to section 12.5.13, Regarding MCKE Signal Operation.</p> <p>000: Normal operation (power-on reset)</p> <p>001: Setting prohibited (Correct operation cannot be guaranteed.)</p> <p>010: Precharge (PALL) command issued</p> <p>011: The MCKE signal is enabled (high level).</p> <p>100: Auto-refresh (REF) command issued</p> <p>101 to 111: Setting prohibited (Correct operation cannot be guaranteed.)</p>

Note: This register can be written only when automatic issue of auto-refresh is disabled (the ARFEN bit in the DBRFCNT0 register is cleared to 0).

12.4.4 SDRAM Configuration Setting Register (DBCONF)

The SDRAM configuration setting register (DBCONF) is a readable/writable register. It is initialized only upon power-on reset.

Bit:	31	30	29	28	27	26	25	24	23	22	21	20	19	18	17	16
	—	—	—	—	—	—	—	—	SPILT7	SPILT6	SPILT5	SPILT4	SPILT3	SPILT2	SPILT1	SPILT0
Initial value:	0	0	0	0	0	0	0	0	1	0	0	1	1	0	1	0
R/W:	R	R	R	R	R	R	R	R	R/W	R/W	R/W	R/W	R/W	R/W	R/W	R/W
Bit:	15	14	13	12	11	10	9	8	7	6	5	4	3	2	1	0
	—	—	—	—	—	—	BASFT1	BASFT0	—	—	—	—	—	—	BWID TH1	BWID TH0
Initial value:	0	0	0	0	0	0	0	0	0	0	0	0	0	0	0	1
R/W:	R	R	R	R	R	R	R/W	R/W	R	R	R	R	R	R	R/W	R/W

Bit	Bit Name	Initial Value	R/W	Description
31 to 24	—	All 0	R	Reserved These bits are always read as 0. The write value should always be 0. Operation when a value other than 0 is written is not guaranteed.
23 to 16	SPLIT7 to SPLIT0	1001 1010	R/W	Memory Configuration Select Bits These bits select the memory configuration to be used. These are used in combination with the BASFT and the BWIDTH bits. For details on address multiplexing, refer to section 12.5.6, Regarding Address Multiplexing. 1001 1010: 256-Mbit product (16M × 16 bits) 1001 1011: 512-Mbit product (32M × 16 bits) 1101 1011: 1-Gbit product (64M × 16 bits) 1110 0011: 2-Gbit product (128M × 16 bits) 0001 1011: 256-Mbit product (32M × 8 bits) 0010 0011: 512-Mbit product (64M × 8 bits) 0110 0011: 1-Gbit product (128M × 8 bits) 0110 1011: 2-Gbit product (256M × 8 bits) Other than above: Setting prohibited (If specified, correct operation cannot be guaranteed.)

Bit	Bit Name	Initial Value	R/W	Description
15 to 10	—	All 0	R	Reserved These bits are always read as 0. The write value should always be 0. Operation when a value other than 0 is written is not guaranteed.
9, 8	BASFT1 and BASFT0	00	R/W	Bank Address Shift Bits These bits select the amount of shifting downward of the bank address. 00: No shift 01: Shift the bank address downward 1 bit. 10: Shift the bank address downward 2 bits. 11: Shift the bank address downward 3 bits.
7 to 3	—	All 0	R	Reserved These bits are always read as 0. The write value should always be 0. Operation when a value other than 0 is written is not guaranteed.
1, 0	BWIDTH1 and BWIDTH0	01	R/W	SDRAM Bus Width Setting Bits These bits set the external data bus width. 00: Setting prohibited (If specified, correct operation cannot be guaranteed.) 01: 16 bits 10: 32 bits 11: Setting prohibited (If specified, correct operation cannot be guaranteed.)

Note: Writing to this register should be performed only when the following conditions are met.

- When SDRAM access is disabled (when the ACEN bit in the DBEN register is 0.).
- When automatic issue of auto-refresh is disabled (when the ARFEN bit in the DBRFCNT0 register is cleared to 0.).

12.4.5 SDRAM Timing Register 0 (DBTR0)

The SDRAM timing register 0 (DBTR0) is a readable/writable register. It is initialized only upon power-on reset.

Bit:	31	30	29	28	27	26	25	24	23	22	21	20	19	18	17	16
	—	—	—	—	—	CL2	CL1	CL0	—	—	—	—	TRAS3	TRAS2	TRAS1	TRAS0
Initial value:	0	0	0	0	0	0	1	0	0	0	0	0	0	0	1	1
R/W:	R	R	R	R	R	R/W	R/W	R/W	R	R	R	R	R/W	R/W	R/W	R/W
Bit:	15	14	13	12	11	10	9	8	7	6	5	4	3	2	1	0
	—	TRFC6	TRFC5	TRFC4	TRFC3	TRFC2	TRFC1	TRFC0	—	—	—	—	—	TRCD2	TRCD1	TRCD0
Initial value:	0	0	0	0	0	1	0	1	0	0	0	0	0	0	0	1
R/W:	R	R/W	R/W	R/W	R/W	R/W	R/W	R/W	R	R	R	R	R	R/W	R/W	R/W

Bit	Bit Name	Initial Value	R/W	Description
31 to 27	—	All 0	R	Reserved These bits are always read as 0. The write value should always be 0. Operation when a value other than 0 is written is not guaranteed.
26 to 24	CL2 to CL0	010	R/W	CAS Latency Setting Bits These bits set the CAS latency. These bits should be set according to the DDR2-SDRAM specifications. The number of cycles is the number of DDR clock cycles. When using the ODT (On Die Termination) enable output signal MODT, these bits should be set to 4 or more cycles. 000: Setting prohibit (If specified, correct operation cannot be guaranteed.) 001: Setting prohibit (If specified, correct operation cannot be guaranteed.) 010: 2 cycles 011: 3 cycles 100: 4 cycles 101: 5 cycles 110: 6 cycles 111: Setting prohibit (If specified, correct operation cannot be guaranteed.)

Bit	Bit Name	Initial Value	R/W	Description
23 to 20	—	All 0	R	Reserved These bits are always read as 0. The write value should always be 0. Operation when a value other than 0 is written is not guaranteed.
19 to 16	TRAS3 to TRAS0	0011	R/W	tRAS (ACT-PRE period) Setting Bits These bits set the ACT-PRE minimum period constraint for the same bank. These bits should be set according to the DDR2-SDRAM specifications. The number of cycles is the number of DDR clock cycles. 0000: Setting prohibit (If specified, correct operation cannot be guaranteed.) : 0010: Setting prohibit (If specified, correct operation cannot be guaranteed.) 0011: 4 cycles 0100: 5 cycles : 1110: 15 cycles 1111: Setting prohibit (If specified, correct operation cannot be guaranteed.)
15	—	0	R	Reserved This bit is always read as 0. The write value should always be 0. Operation when a value other than 0 is written is not guaranteed.

Bit	Bit Name	Initial Value	R/W	Description
14 to 8	TRFC6 to TRFC0	000 0101	R/W	<p>tRFC (REF-ACT/REF period) Setting Bits</p> <p>These bits set the REF-ACT/REF minimum period constraint. These bits should be set according to the DDR2-SDRAM specifications. The number of cycles is the number of DDR clock cycles.</p> <p>000 0000: Setting prohibit (If specified, correct operation cannot be guaranteed.)</p> <p>:</p> <p>000 0100: Setting prohibit (If specified, correct operation cannot be guaranteed.)</p> <p>000 0101: 6 cycles</p> <p>000 0110: 7 cycles</p> <p>:</p> <p>100 0001: 66 cycles</p> <p>100 0010: Setting prohibit (If specified, correct operation cannot be guaranteed.)</p> <p>:</p> <p>111 1111: Setting prohibit (If specified, correct operation cannot be guaranteed.)</p>
7 to 3	—	All 0	R	<p>Reserved</p> <p>These bits are always read as 0. The write value should always be 0.</p> <p>Operation when a value other than 0 is written is not guaranteed.</p>

Bit	Bit Name	Initial Value	R/W	Description
2 to 0	TRCD2 to TRCD0	001	R/W	<p>tRCD (ACT-READ/WRITE period) Setting Bits</p> <p>These bits set the ACT-READ/WRITE minimum period. These bits should be set according to the DDR2-SDRAM specifications. The number of cycles is the number of DDR clock cycles.</p> <p>000: Setting prohibit (If specified, correct operation cannot be guaranteed.)</p> <p>001: 2 cycles</p> <p>010: 3 cycles</p> <p>011: 4 cycles</p> <p>100: 5 cycles</p> <p>101: Setting prohibit (If specified, correct operation cannot be guaranteed.)</p> <p>:</p> <p>111: Setting prohibit (If specified, correct operation cannot be guaranteed.)</p>

- Notes:
- AL (Additive Latency) supported by the DBSC2 is only 0.
 - Writing to this register should be performed only when the following conditions are met.
 - When SDRAM access is disabled (when the ACEN bit in the DBEN register is 0.).
 - When automatic issue of auto-refresh is disabled (when the ARFEN bit in the DBRFCNT0 register is cleared to 0.).

12.4.6 SDRAM Timing Register 1 (DBTR1)

The SDRAM timing register 1 (DBTR1) is a readable/writable register. It is initialized only upon power-on reset.

Bit:	31	30	29	28	27	26	25	24	23	22	21	20	19	18	17	16
	—	—	—	—	—	—	—	—	—	—	—	—	—	TRP2	TRP1	TRP0
Initial value:	0	0	0	0	0	0	0	0	0	0	0	0	0	0	0	1
R/W:	R	R	R	R	R	R	R	R	R	R	R	R	R	R/W	R/W	R/W
Bit:	15	14	13	12	11	10	9	8	7	6	5	4	3	2	1	0
	—	—	—	—	—	TRRD2	TRRD1	TRRD0	—	—	—	—	—	TWR2	TWR1	TWR0
Initial value:	0	0	0	0	0	0	0	0	0	0	0	0	0	0	0	1
R/W:	R	R	R	R	R	R/W	R/W	R/W	R	R	R	R	R	R/W	R/W	R/W

Bit	Bit Name	Initial Value	R/W	Description
31 to 19	—	All 0	R	Reserved These bits are always read as 0. The write value should always be 0. Operation when a value other than 0 is written is not guaranteed.
18 to 16	TRP2 to TRP0	001	R/W	tRP (PRE-ACT/REF period) Setting Bits These bits set the PRE-ACT minimum period constraint for the same bank. These bits should be set according to the DDR2-SDRAM specifications. The number of cycles is the number of DDR clock cycles. 000: Setting prohibit (If specified, correct operation cannot be guaranteed.) 001: 2 cycles 010: 3 cycles 011: 4 cycles 100: 5 cycles 101: Setting prohibit (If specified, correct operation cannot be guaranteed.) : 111: Setting prohibit (If specified, correct operation cannot be guaranteed.)

Bit	Bit Name	Initial Value	R/W	Description
15 to 11	—	All 0	R	Reserved These bits are always read as 0. The write value should always be 0. Operation when a value other than 0 is written is not guaranteed.
10 to 8	TRRD2 to TRRD0	000	R/W	tRRD (ACT(A)-ACT(B) period) Setting Bits These bits set the ACT-ACT minimum period constraint for the different banks. These bits should be set according to the DDR2-SDRAM specifications. The number of cycles is the number of DDR clock cycles. 000: 1 cycle 001: 2 cycles 010: 3 cycles 011: 4 cycles 100: Setting prohibit (If specified, correct operation cannot be guaranteed.) : 111: Setting prohibit (If specified, correct operation cannot be guaranteed.)
7 to 3	—	All 0	R	Reserved These bits are always read as 0. The write value should always be 0. Operation when a value other than 0 is written is not guaranteed.

Bit	Bit Name	Initial Value	R/W	Description
2 to 0	TWR2 to TWR0	001	R/W	<p>tWR (write recovery period) Setting Bits</p> <p>These bits set the write recovery minimum period constraint. These bits should be set according to the DDR2-SDRAM specifications. The number of cycles is the number of DDR clock cycles.</p> <p>000: Setting prohibit (If specified, correct operation cannot be guaranteed.)</p> <p>001: 2 cycles</p> <p>010: 3 cycles</p> <p>011: 4 cycles</p> <p>100: 5 cycles</p> <p>101: Setting prohibit (If specified, correct operation cannot be guaranteed.)</p> <p>:</p> <p>111: Setting prohibit (If specified, correct operation cannot be guaranteed.)</p>

Note: Writing to this register should be performed only when the following conditions are met.

- When SDRAM access is disabled (when the ACEN bit in the DBEN register is 0.).
- When automatic issue of auto-refresh is disabled (when the ARFEN bit in the DBRFCNT0 register is cleared to 0.).

12.4.7 SDRAM Timing Register 2 (DBTR2)

The SDRAM timing register 2 (DBTR2) is a readable/writable register. It is initialized only upon power-on reset.

Bit:	31	30	29	28	27	26	25	24	23	22	21	20	19	18	17	16
	—	—	—	—	—	—	TRTP1	TRTP0	—	—	—	TRC4	TRC3	TRC2	TRC1	TRC0
Initial value:	0	0	0	0	0	0	0	1	0	0	0	0	0	1	0	0
R/W:	R	R	R	R	R	R	R/W	R/W	R	R	R	R/W	R/W	R/W	R/W	R/W
Bit:	15	14	13	12	11	10	9	8	7	6	5	4	3	2	1	0
	—	—	—	—	RDWR3	RDWR2	RDWR1	RDWR0	—	—	—	—	WRRD3	WRRD2	WRRD1	WRRD0
Initial value:	0	0	0	0	0	0	1	1	0	0	0	0	0	0	1	1
R/W:	R	R	R	R	R/W	R/W	R/W	R/W	R	R	R	R	R/W	R/W	R/W	R/W

Bit	Bit Name	Initial Value	R/W	Description
31 to 26	—	All 0	R	Reserved These bits are always read as 0. The write value should always be 0. Operation when a value other than 0 is written is not guaranteed.
25, 24	TRTP1 and TRTP0	01	R/W	tRTP (READ-PRE command minimum time) Setting Bits These bits set the READ-PRE command minimum time constraint for the same bank. These bits should be set according to the SDRAM specifications. The number of cycles is the number of DDR clock cycles. 00: Setting prohibit (If specified, correct operation cannot be guaranteed.) 01: 2 cycles 10: 3 cycles 11: Setting prohibit (If specified, correct operation cannot be guaranteed.)
23 to 21	—	All 0	R	Reserved These bits are always read as 0. The write value should always be 0. Operation when a value other than 0 is written is not guaranteed.

Bit	Bit Name	Initial Value	R/W	Description
20 to 16	TRC4 to TRC0	0 0100	R/W	<p>tRC (ACT-ACT/REF period) Setting Bits</p> <p>These bits set the constraint for the minimum time from ACT command to ACT command (in the same bank)/ REF command. These bits should be set according to the SDRAM specifications. The number of cycles is the number of DDR clock cycles.</p> <p>00000: Setting prohibit (If specified, correct operation cannot be guaranteed.)</p> <p>:</p> <p>00011: Setting prohibit (If specified, correct operation cannot be guaranteed.)</p> <p>00100: 5 cycles</p> <p>00101: 6 cycles</p> <p>:</p> <p>10010: 19 cycles</p> <p>10011: Setting prohibit (If specified, correct operation cannot be guaranteed.)</p> <p>:</p> <p>11111: Setting prohibit (If specified, correct operation cannot be guaranteed.)</p>
15 to 12	—	All 0	R	<p>Reserved</p> <p>These bits are always read as 0. The write value should always be 0.</p> <p>Operation when a value other than 0 is written is not guaranteed.</p>

Bit	Bit Name	Initial Value	R/W	Description
11 to 8	RDWR3 to RDWR0	0011	R/W	<p>READ-WRITE Command Minimum Interval Setting Bits</p> <p>These bits set the READ-WRITE command minimum interval constraint. These bits should be set according to the SDRAM specifications. The number of cycles is the number of DDR clock cycles.</p> <p>0000: Setting prohibit (If specified, correct operation cannot be guaranteed.)</p> <p>:</p> <p>0010: Setting prohibit (If specified, correct operation cannot be guaranteed.)</p> <p>0011: 4 cycles</p> <p>0100: 5 cycles</p> <p>:</p> <p>1000: 9 cycles</p> <p>1001: Setting prohibit (If specified, correct operation cannot be guaranteed.)</p> <p>:</p> <p>1111: Setting prohibit (If specified, correct operation cannot be guaranteed.)</p>
7 to 4	—	All 0	R	<p>Reserved</p> <p>These bits are always read as 0. The write value should always be 0.</p> <p>Operation when a value other than 0 is written is not guaranteed.</p>

Bit	Bit Name	Initial Value	R/W	Description
3 to 0	WRRD3 to WRRD0	0011	R/W	<p>WRITE-READ Command Minimum Interval Setting Bits</p> <p>These bits set the WRITE-READ command minimum interval constraint. These bits should be set according to the SDRAM specifications. The number of cycles is the number of DDR clock cycles.</p> <p>0000: Setting prohibit (If specified, correct operation cannot be guaranteed.)</p> <p>:</p> <p>0010: Setting prohibit (If specified, correct operation cannot be guaranteed.)</p> <p>0011: 4 cycles</p> <p>0100: 5 cycles</p> <p>:</p> <p>1010: 11 cycles</p> <p>1011: Setting prohibit (If specified, correct operation cannot be guaranteed.)</p> <p>:</p> <p>1111: Setting prohibit (If specified, correct operation cannot be guaranteed.)</p>

Note: Writing to this register should be performed only when the following conditions are met.

- When SDRAM access is disabled (when the ACEN bit in the DBEN register is 0.).
- When automatic issue of auto-refresh is disabled (when the ARFEN bit in the DBRFCNT0 register is cleared to 0.).

12.4.8 SDRAM Refresh Control Register 0 (DBRFCNT0)

The SDRAM refresh control register 0 (DBRFCNT0) is a readable/writable register. It is initialized only upon power-on reset.

Bit:	31	30	29	28	27	26	25	24	23	22	21	20	19	18	17	16
	—	—	—	—	—	—	—	—	—	—	—	—	—	—	—	ARFEN
Initial value:	0	0	0	0	0	0	0	0	0	0	0	0	0	0	0	0
R/W:	R	R	R	R	R	R	R	R	R	R	R	R	R	R	R	R/W
Bit:	15	14	13	12	11	10	9	8	7	6	5	4	3	2	1	0
	—	—	—	—	—	—	—	—	—	—	—	—	—	—	—	SRFEN
Initial value:	0	0	0	0	0	0	0	0	0	0	0	0	0	0	0	0
R/W:	R	R	R	R	R	R	R	R	R	R	R	R	R	R	R	R/W

Bit	Bit Name	Initial Value	R/W	Description
31 to 17	—	All 0	R	Reserved These bits are always read as 0. The write value should always be 0. Operation when a value other than 0 is written is not guaranteed.
16	ARFEN	0	R/W	Auto-Refresh Enable Bit Enables or disables automatic issue of auto-refresh. The auto-refresh command is issued periodically according to the settings of DBRFCNT1/2. For details on the auto-refresh command issue timing, refer to section 12.5.5, Auto-Refresh Operation. 0: Disables automatic issue of auto-refresh. 1: Enables automatic issue of auto-refresh.
15 to 1	—	All 0	R	Reserved These bits are always read as 0. The write value should always be 0. Operation when a value other than 0 is written is not guaranteed.

Bit	Bit Name	Initial Value	R/W	Description
0	SRFEN	0	R/W	<p>Self-Refresh Mode Bit</p> <p>Performs transition to or cancellation of self-refresh mode. By writing 1, a transition is made to self-refresh. By writing 0, self-refresh mode is cancelled. For details on transition to or cancellation of self-refresh, refer to section 12.5.4, Self-Refresh Operation.</p> <p>0: Cancels self-refresh. 1: Makes a transition to self-refresh.</p>

12.4.9 SDRAM Refresh Control Register 1 (DBRFCNT1)

The SDRAM refresh control register 1 (DBRFCNT1) is a readable/writable register. It is initialized only upon power-on reset.

Bit:	31	30	29	28	27	26	25	24	23	22	21	20	19	18	17	16
	—	—	—	—	—	—	—	—	—	—	—	—	—	—	—	—
Initial value:	0	0	0	0	0	0	0	0	0	0	0	0	0	0	0	0
R/W:	R	R	R	R	R	R	R	R	R	R	R	R	R	R	R	R
Bit:	15	14	13	12	11	10	9	8	7	6	5	4	3	2	1	0
	—	—	—	TREFI12	TREFI11	TREFI10	TREFI9	TREFI8	TREFI7	TREFI6	TREFI5	TREFI4	TREFI3	TREFI2	TREFI1	TREFI0
Initial value:	0	0	0	0	0	0	1	0	0	0	0	0	0	0	0	0
R/W:	R	R	R	R/W	R/W	R/W	R/W	R/W	R/W	R/W	R/W	R/W	R/W	R/W	R/W	R/W

Bit	Bit Name	Initial Value	R/W	Description
31 to 13	—	All 0	R	<p>Reserved</p> <p>These bits are always read as 0. The write value should always be 0.</p> <p>Operation when a value other than 0 is written is not guaranteed.</p>

Bit	Bit Name	Initial Value	R/W	Description
12 to 0	TREFI12 to TREFI0	0 0010 0000 0000	R/W	<p>Average Refresh Interval Setting Bits</p> <p>These bits set the average interval for auto-refresh operation. Upon refresh execution, this value is added to the refresh interval count register.</p> <p>The number of cycles is the number of DDR clock cycles.</p> <p>0 0000 0000 0000: Setting prohibited (If specified, correct operation cannot be guaranteed.)</p> <p>:</p> <p>0 0000 0011 1111: Setting prohibited (If specified, correct operation cannot be guaranteed.)</p> <p>0 0000 0100 0000: 65 cycles</p> <p>0 0000 0100 0001: 66 cycles</p> <p>:</p> <p>1 1111 1111 1111: 8192 cycles</p>

Note: Writing to this register should be performed only when the following condition is met.

- When automatic issue of auto-refresh is disabled (when the ARFEN bit in the DBRFCNT0 register is cleared to 0.).

12.4.10 SDRAM Refresh Control Register 2 (DBRFCNT2)

The SDRAM refresh control register 2 (DBRFCNT2) is a readable/writable register. It is initialized only upon power-on reset.

Bit:	31	30	29	28	27	26	25	24	23	22	21	20	19	18	17	16
	—	LV1 TH14	LV1 TH13	LV1 TH12	LV1 TH11	LV1 TH10	LV1 TH9	LV1 TH8	LV1 TH7	LV1 TH6	LV1 TH5	LV1 TH4	LV1 TH3	LV1 TH2	LV1 TH1	LV1 TH0
Initial value:	0	0	0	1	0	0	0	0	0	0	0	0	0	0	0	0
R/W:	R	R/W	R/W	R/W	R/W	R/W	R/W	R/W	R/W	R/W	R/W	R/W	R/W	R/W	R/W	R/W

Bit:	15	14	13	12	11	10	9	8	7	6	5	4	3	2	1	0
	—	—	—	—	—	—	—	—	LV0 TH7	LV0 TH6	LV0 TH5	LV0 TH4	LV0 TH3	LV0 TH2	LV0 TH1	LV0 TH0
Initial value:	0	0	0	0	0	0	0	0	1	0	0	0	0	0	0	0
R/W:	R	R	R	R	R	R	R	R	R/W	R/W	R/W	R/W	R/W	R/W	R/W	R/W

Bit	Bit Name	Initial Value	R/W	Description
31	—	0	R	Reserved This bit is always read as 0. The write value should always be 0. Operation when a value other than 0 is written is not guaranteed.
30 to 16	LV1TH14 to LV1TH0	001 0000 0000 0000	R/W	Level 1 Threshold Setting Bits These bits set the threshold cycles for executing auto-refresh when there is a vacancy in access requests received via the SuperHyway bus. The number of cycles is the number of DDR clock cycles. When the internal refresh counter value exceeds LV1TH, and there are consecutive requests received via the SuperHyway bus, request processing is given priority over auto-refresh. The relation between LV1TH and LV0TH must satisfy the relation $LV1TH \geq LV0TH$. Correct operation cannot be guaranteed if $LV1TH < LV0TH$. The value of LV1TH should be set larger than the constraint TRAS between PRE and ACT set in the SDRAM timing register 0. If a value equal to or less than TRAS is set, Correct operation cannot be guaranteed.

Bit	Bit Name	Initial Value	R/W	Description
15 to 8	—	All 0	R	Reserved These bits are always read as 0. The write value should always be 0. Operation when a value other than 0 is written is not guaranteed.
7 to 0	LV0TH7 to LV0TH0	1000 0000	R/W	Level 0 Threshold Setting Bits These bits set the threshold cycles for executing auto-refresh. The number of cycles is the number of DDR clock cycles. When single-unit requests received via the SuperHyway bus end, auto refresh is given priority over the next request.

- Notes:
1. The TREFI bit value of the DBRFCNT1 register and the LV1TH bit of this register are added and the result used as the maximum value of the auto-refresh counter, that is, the maximum interval for refresh commands when periodically issuing auto-refresh signals. Specify the LV1TH bit value so that the maximum interval is within the maximum value of the ACT-PRE command interval prescribed in the datasheet of the respective memory manufacturers. For details, refer to section 12.5.5, Auto-Refresh Operation.
 2. Writing to this register should be performed only when the following condition is met. When automatic issue of auto-refresh is disabled (when the ARFEN bit in the DBRFCNT0 register is cleared to 0.).

12.4.11 SDRAM Refresh Status Register (DBRFSTS)

The SDRAM refresh status register (DBRFSTS) is a readable/writable register. It is initialized only upon power-on reset.

Blt:	31	30	29	28	27	26	25	24	23	22	21	20	19	18	17	16
	—	—	—	—	—	—	—	—	—	—	—	—	—	—	—	—
Initial value:	0	0	0	0	0	0	0	0	0	0	0	0	0	0	0	0
R/W:	R	R	R	R	R	R	R	R	R	R	R	R	R	R	R	R
Blt:	15	14	13	12	11	10	9	8	7	6	5	4	3	2	1	0
	—	—	—	—	—	—	—	—	—	—	—	—	—	—	—	RFU
Initial value:	0	0	0	0	0	0	0	0	0	0	0	0	0	0	0	0
R/W:	R	R	R	R	R	R	R	R	R	R	R	R	R	R	R	R/W

Bit	Bit Name	Initial Value	R/W	Description
31 to 1	—	All 0	R	Reserved These bits are always read as 0. The write value should always be 0. Operation when a value other than 0 is written is not guaranteed.
0	RFU	0	R/W	Refresh Counter Underflow Bit Set to 1 to indicate that the refresh counter has underflows when the refresh counter changes from 1 to 0. This bit is cleared to 0 by writing 0 to it. Underflow may occur because the LV0TH bit value is smaller than the maximum number of command execution cycles, so that refresh cannot be issued until the counter value reaches 0. In this case, the value of the LV0TH bit should be changed. For details on the refresh counter, refer to section 12.5.5, Auto-Refresh Operation. 0: Indicates that no underflow occurs. 1: Indicates that an underflow occurs.

12.4.12 DDRPAD Frequency Setting Register (DBFREQ)

The DDRPAD frequency setting register (DBFREQ) is a readable/writable register. It is initialized only upon power-on reset.

Bit:	31	30	29	28	27	26	25	24	23	22	21	20	19	18	17	16
	—	—	—	—	—	—	—	—	—	—	—	—	—	—	—	—
Initial value:	0	0	0	0	0	0	0	0	0	0	0	0	0	0	0	0
R/W:	R	R	R	R	R	R	R	R	R	R	R	R	R	R	R	R
Bit:	15	14	13	12	11	10	9	8	7	6	5	4	3	2	1	0
	—	—	—	—	—	—	—	DLLRST	—	—	—	—	—	FREQ2	FREQ1	FREQ0
Initial value:	0	0	0	0	0	0	0	0	0	0	0	0	0	0	0	0
R/W:	R	R	R	R	R	R	R	R/W	R	R	R	R	R	R/W	R/W	R/W

Bit	Bit Name	Initial Value	R/W	Description
31 to 9	—	All 0	R	Reserved These bits are always read as 0. The write value should always be 0. Operation when a value other than 0 is written is not guaranteed.
8	DLLRST	0	R/W	DLL Reset Bit Resets the DLL within DDRPAD. The FREQ bits should be used to set the frequency when this bit is 0. If the FREQ bit is changed when this bit is 1, correct operation cannot be guaranteed. 0: Resets the frequency setting 1: Generates or retains the frequency setting
7 to 3	—	All 0	R	Reserved These bits are always read as 0. The write value should always be 0. Operation when a value other than 0 is written is not guaranteed.

Bit	Bit Name	Initial Value	R/W	Description
2 to 0	FREQ2 to FREQ0	000	R/W	<p>Frequency Setting Bits</p> <p>These bits set the operating frequency of the data bus in the DDR2-SDRAM.</p> <p>000: up to 300 MHz (DDR2-600)</p> <p>001: Reserved</p> <p>010: 200 MHz (DDR2-400)</p> <p>100 to 111: Setting prohibited. (If specified, correct operation cannot be guaranteed.)</p>

Note: This register is used for initialization, when canceling self-refresh, and when canceling power supply backup.

For details, refer to section 12.5.3, Initialization Sequence, section 12.5.4, Self-Refresh Operation, and (2) Recovery from SDRAM Power Supply Backup Mode in section 12.5.10, DDR2-SDRAM Power Supply Backup Function.

12.4.13 DDRPAD DIC, ODT, OCD Setting Register (DBDICODTOCD)

The SDRAM refresh status register (DBRFSTS) is a readable/writable register. It is initialized only upon power-on reset.

Bit:	31	30	29	28	27	26	25	24	23	22	21	20	19	18	17	16
	—	—	—	—	—	—	—	DDRSIG	—	—	—	—	DIC_AD	DIC_DQ	DIC_CK	DIC
Initial value:	0	0	0	0	0	0	0	0	0	0	0	0	0	0	0	0
R/W:	R	R	R	R	R	R	R	R/W	R	R	R	R	R/W	R/W	R/W	R/W
Bit:	15	14	13	12	11	10	9	8	7	6	5	4	3	2	1	0
	—	—	—	ODTEN1	ODTEN0	ODT_EARLY	T_ODT1	T_ODT0	—	—	—	—	—	—	—	—
Initial value:	0	0	0	0	0	0	0	0	0	0	0	0	0	1	1	1
R/W:	R	R	R	R/W	R/W	R/W	R/W	R/W	R	R	R	R	R	R/W	R/W	R/W

Bit	Bit Name	Initial Value	R/W	Description
31 to 25	—	All 0	R	Reserved These bits are always read as 0. The write value should always be 0. Operation when a value other than 0 is written is not guaranteed.
24	DDRSIG	0	R/W	Write Preamble Time Setting Bit Sets the preamble time of the DQS signal to be output when data is written to the DDR2-SDRAM. The number of cycles is the number of DDR clock cycles. 0: Write preamble time = 0.5 cycle 1: Write preamble time = 1 cycle
23 to 20	—	All 0	R	Reserved These bits are always read as 0. The write value should always be 0. Operation when a value other than 0 is written is not guaranteed.
19	DIC_AD	0	R/W	Address and Command Pin Impedance Value This bit should be set to the same value as the value set for DIC of EMRS(1) in the DDR2-SDRAM. 0: Normal 1: Weak

Bit	Bit Name	Initial Value	R/W	Description
18	DIC_DQ	0	R/W	Data Pin Impedance value This bit should be set to the same value as the value set for DIC of EMRS(1) in the DDR2-SDRAM. 0: Normal 1: Weak
17	DIC_CK	0	R/W	Clock Pin Impedance value This bit should be set to the same value as the value set for DIC of EMRS(1) in the DDR2-SDRAM. 0: Normal 1: Weak
16	DIC	0	R/W	Impedance Value Set in the DIC of EMRS(1) in the SDRAM This bit should be set to the same value as the value set for DIC of EMRS(1) in the DDR2-SDRAM. 0: Normal 1: Weak
15 to 13	—	All 0	R	Reserved These bits are always read as 0. The write value should always be 0. If a value other than 0 is written, correct operation cannot be guaranteed.
12, 11	ODTEN1 and ODTEN0	00	R/W	ODT Output Mode Switch These bits switch the ODT output mode. For details on the note when the ODTEN bits are set to 01, refer to section 12.5.9, Important Information Regarding ODT Control Signal Output to SDRAM. 00: The ODT pin is fixed low regardless of WRITE command issue. 01: The ODT pin is fixed high when the WRITE command is issued. 10 and 11: The ODT pin is fixed high regardless of WRITE command issue.

Bit	Bit Name	Initial Value	R/W	Description
10	ODT_EARLY	0	R/W	<p>ODT Assertion Period Setting</p> <p>Sets the ODT assertion period. The number of cycles is the number of DDR clock cycles.</p> <p>This setting is valid only when ODTEN is set to 01. In order to extend ODT by 1 cycle using the setting of ODT_EARLY, after setting CL to 5 or higher, the RDWR bits in the DBTR2 register must be set to the value specified in the data sheet for the DDR2-SDRAM, plus 1.</p> <p>For details on the note when the ODTEN bits are set to 01, refer to section 12.5.9, Important Information Regarding ODT Control Signal Output to SDRAM.</p> <p>0: Asserts the ODT pin to high for 3 cycles for one write command.</p> <p>1: Asserts the ODT pin to high for 4 cycles for one write command.</p>
9, 8	T_ODT1 and T_ODT0	00	R/W	<p>ODT Resistance Value Setting</p> <p>These bits set the resistance value of the ODT resistance within DDRPAD turned on for DDR2-SDRAM reading. They should be set to the same value as the Rtt set in EMRS(1) of DDR2-SDRAM.</p> <p>00: ODT disabled</p> <p>01: 75 Ω</p> <p>10: 150 Ω</p> <p>11: Setting prohibited (If specified, correct operation cannot be guaranteed.)</p>
7 to 3	—	All 0	R	<p>Reserved</p> <p>These bits are always read as 0. The write value should always be 0.</p> <p>If a value other than 0 is written, correct operation cannot be guaranteed.</p>
2 to 0	—	111	R/W	<p>Reserved</p> <p>These bits should always be written to 111. If these bits are written to the value other than 111, correct operation cannot be guaranteed.</p>

12.4.14 SDRAM Mode Setting Register (DBMRCNT)

The SDRAM mode setting register (DBMRCNT) is a write-only register. If it is read, correct operation cannot be guaranteed.

Bit:	31	30	29	28	27	26	25	24	23	22	21	20	19	18	17	16
	—	—	—	—	—	—	—	—	—	—	—	—	—	BA2	BA1	BA0
Initial value:	—	—	—	—	—	—	—	—	—	—	—	—	—	—	—	—
R/W:	W	W	W	W	W	W	W	W	W	W	W	W	W	W	W	W
Bit:	15	14	13	12	11	10	9	8	7	6	5	4	3	2	1	0
	—	MA14	MA13	MA12	MA11	MA10	MA9	MA8	MA7	MA6	MA5	MA4	MA3	MA2	MA1	MA0
Initial value:	—	—	—	—	—	—	—	—	—	—	—	—	—	—	—	—
R/W:	W	W	W	W	W	W	W	W	W	W	W	W	W	W	W	W

Bit	Bit Name	Initial Value	R/W	Description
31 to 19	—	Undefined	W	Reserved These bits are always read as 0. The write value should always be 0. If a value other than 0 is written, correct operation cannot be guaranteed.
18 to 16	BA2 to BA0	Undefined	W	SDRAM Mode Register and Extended Mode Register Setting Bits Bank address pins MBA2, MBA1, and MBA0 correspond to bit 18, bit 17, and bit 16, respectively.
15	—	Undefined	W	Reserved This bit is always read as 0. The write value should always be 0. If a value other than 0 is written, correct operation cannot be guaranteed.
14 to 0	MA14 to MA0	Undefined	W	SDRAM Mode Register and Extended Mode Register Setting Bits The address pins MA14, MA13, ..., and MA0 correspond to bit 14, bit 13, ..., and bit 0, respectively.

By writing to this register, the DDR2-SDRAM address and bank address pins can be directly manipulated to set the mode and extended mode registers. When this register is written, the mode register setting (MRS)/extended mode register setting (EMRS) command is issued for the DDR2-SDRAM. Upon command execution, settings should be made such that the burst length is 4, the mode is sequential access mode, and the additive latency (AL) is 0, the DQS is enable, and the RDQS is disable. Further, settings should be made such that the CAS latency (CL)/write recovery (WR) is equal to the corresponding bits in SDRAM timing registers 0 and 1 (DBTR0 and DBTR1).

12.5 DBSC2 Operation

12.5.1 Supported SDRAM Commands

Table 12.11 lists the SDRAM commands issued by the DBSC2. These commands are issued to the DDR2-SDRAM in synchronously with $\overline{MCK0}$, $\overline{MCK0}$, $\overline{MCK1}$, and $\overline{MCK1}$. In the table, n-1 indicates the state of the signal applied to DDR2-SDRAM one cycle before SDRAM command issue; n indicates the state of the signal at the time of command issue.

Table 12.11 SDRAM Commands Issued by the DBSC2

Function	Symbol	MCKE		\overline{MCS}	\overline{MRAS}	\overline{MCAS}	\overline{MWE}	MA [14:11]	MA10/ AP	MBA [2:0]	MA [9:0]
		n-1	n								
Device deslect	DSEL	H	H	H	X	X	X	X	X	X	X
Read	READ	H	H	L	H	L	H	V	L	V	V
Write	WRITE	H	H	L	H	L	L	V	L	V	V
Bank activate	ACT	H	H	L	L	H	H	V	V	V	V
Precharge select bank	PRE	H	H	L	L	H	L	X	L	V	X
Precharge all banks	PALL	H	H	L	L	H	L	X	H	X	X
Auto-refresh	REF	H	H	L	L	L	H	X	X	X	X
Self-refresh entry from IDLE	SLFRSH	H	L	L	L	L	H	X	X	X	X
Self-refresh exit	SLFRSHX	L	H	H	X	X	X	X	X	X	X
Mode register set	MRS/ EMRS	H	H	L	L	L	L	V	V	V	V

Legend:

H: High level

L: Low level

X: High or low level (don't care)

V: Valid data

The above DSEL command is issued when DDR2-SDRAM is not accessed, and so need not be explicitly issued by the user.

12.5.2 SDRAM Command Issue

(1) Basic Access

The DBSC2 stores in a queue the requests received via the SuperHyway bus. Request processing is begun around the time of preceding precharge/activate processing, but processing completion is in the order received in the queue.

When SDRAM initialization is completed, upon receiving a read/write request, a page miss occurs with all banks in the closed state. Hence the DBSC2 first issues an activate (ACT) command, to open the corresponding bank. After opening the bank, the read/write command of the SDRAM corresponding to the read/write request is issued. At this time, the number of issued read/write commands differs depending on the bus width and the request size (1/2/4/8/16/32 bytes), as indicated in figure 12.5. For example, when performing 32-byte reading from the SuperHyway bus with an external data bus width of 32 bytes, two read commands are executed. When issuing the read command in the first cycle, data is read with a burst length of 4 (two DDR clock cycles), so that it is necessary to wait until the third cycle to issue the second read command.

When access ends, the DBSC2 leaves the bank open, without using a precharge (PRE) command. The bank is closed when (1) the following request is for the same bank with a different row address; (2) there is an auto-refresh request; or (3) the user issues a precharge-all (PALL) command using the SDRAM command control register, for self-refresh processing.

Thus in normal access other than self-refresh, the DBSC2 uses hardware for bank management, so that except for the register settings upon initialization, the user need not execute control.

Further, the DBSC2 performs multi-bank operation of four banks. Hence the maximum number of banks which can be opened simultaneously is four. Refer to section 12.5.6, Regarding Address Multiplexing, for the correspondence between access addresses from the SuperHyway bus and SDRAM bank/row addresses.

When using the SDRAM with a memory capacity of 1 Gbit or greater, refer to section 12.5.8, Important Information Regarding Use of 8-Bank DDR2-SDRAM Products.

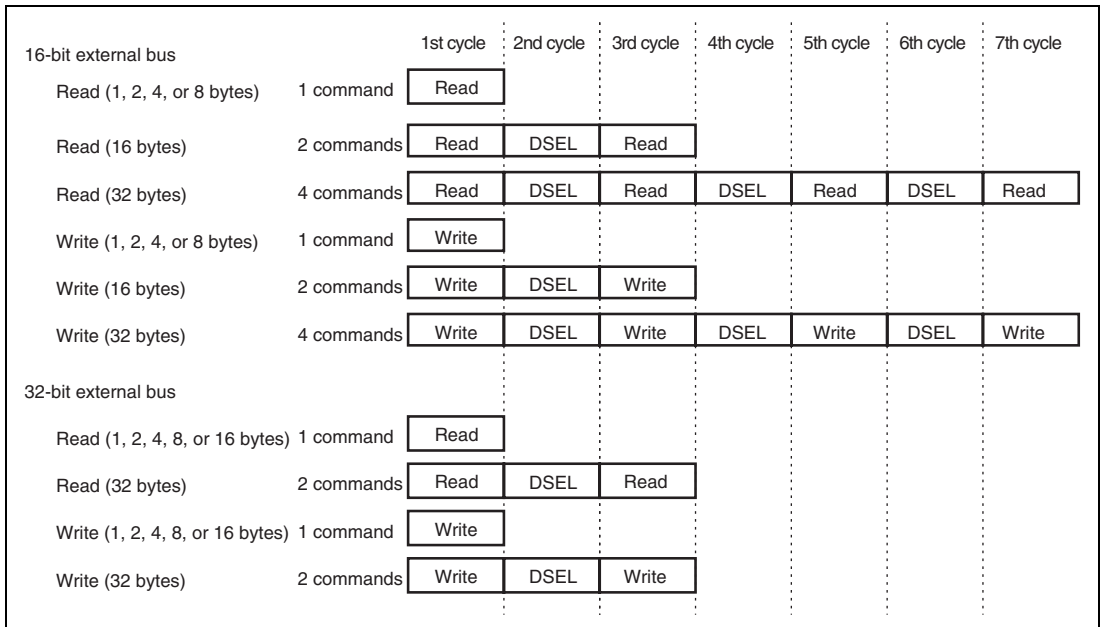


Figure 12.5 Read/Write Command Issued to the SDRAM in Response to the Request from the SuperHyway Bus

(2) Preceding Precharge/Activate Processing

In order to utilize DDR2-SDRAM multibank functions to reduce SDRAM command vacant cycles insofar as possible and improve the efficiency of bus use, the DBSC2 issues in advance a PRE/ACT command corresponding to the following request queue page miss processing. Only the PRE/ACT command is issued in advance, so there is no change in the read/write order. A PRE/ACT command is issued in advance only when the following request (1) results in a page miss, and moreover (2) entails access of a bank different from that of the request currently being processed. Figure 12.6 shows an example of execution of preceding precharge/activate processing. This is an example of a command issued to the SDRAM when the external data bus width is 32 bits, the PRE/ACT minimum time constraint is 3 cycles, the ACT-READ/WRITE minimum time constraint is 3 cycles, and the ACT (A)-ACT (B) minimum time constraint is 2 cycles. In this example, the first through fourth requests are accumulated, and the first request is the request initially provided to the queue.

First, at time 1 the DBSC2 issues to the SDRAM a PRE command for the first read (16-byte) request processing. Then, when determining the command to be issued at time 2, due to timing constraints it is not possible to issue at time 2 the ACT command necessary as request processing for the first read (16-byte) request, which has higher priority. Hence the DBSC2 searches for a

command to be issued at time 2 from the following request queue. From the search results it is seen that advance precharge processing can be executed for the third read (8-byte) request and the fourth read (16-byte) request. Because the DBSC2 gives priority to preceding requests, it decides to perform advance precharge processing for the third read (8-byte) request, and issues a PRE command to the SDRAM.

When the time advances to time 3, the ACT command cannot be issued for the first read (16-byte) request at time 3 either, and so a search of the following queue is performed for a command which can be issued. Due to timing constraints, the ACT command cannot be issued for the third read (8-byte) request, and as a result, issuance of the PRE command corresponding to the fourth read (16-byte) request is selected.

At time 4, it is possible to execute request processing for the first read (16-byte) request, and an ACT command is issued to the DDR2-SDRAM.

Thereafter, the processing described above is repeated.

Request No.	Request	Bank to be accessed	Page state during request	Time 1	Time 2	Time 3	Time 4	Time 5	Time 6	Time 7	Time 8	Time 9	Time 10	Time 11	Time 12	Time 13	Time 14	Time 15
1	Read (16 bytes)	Bank 0	Miss	PRE			ACT			READ								
2	Read (32 bytes)	Bank 1	Hit									READ		READ				
3	Read (8 bytes)	Bank 2	Miss		PRE				ACT								READ	
4	Read (16 bytes)	Bank 3	Miss			PRE					ACT							READ
SDRAM command				PRE	PRE	PRE	ACT		ACT	READ	ACT	READ		READ		READ		READ

As the burst length is 4 in the DDR2-SDRAM, the interval between READ commands is always two cycles.

Figure 12.6 Example of Preceding Precharge/Activate Processing

12.5.3 Initialization Sequence

The following shows an example of the initialization sequence. For detailed information such as the power supply and timing parameters, please refer to the datasheet for the DDR2-SDRAM being used.

1. Following the instructions in the datasheet guide for the SDRAM being used, supply the power and the reference voltage.
2. After the power-on reset has been canceled for the LSI and the CPU has begun operating, the system judges whether the LSI was in power supply backup mode or the normal initialization sequence (for information on entering settings in power backup mode, please refer to (2) Recovery from SDRAM Power Supply Backup Mode in section 12.5.10, DDR2-SDRAM Power Supply Backup Function). If it was an initialization sequence, the software is used to initiate a wait of at least 100 μ s. (An example of how to make the system wait for a specific interval such as 100 μ s can be found in section 12.5.11, Method for Securing Time Required for Initialization, Self-Refresh Cancellation, etc.)
3. Enter the settings for the SDRAM configuration setting register (DBCONF), the SDRAM timing register 0 (DBTR0), the SDRAM timing register 1 (DBTR1), and the SDRAM timing register 2 (DBTR2).
4. DLL settings are entered by writing them to the DDRPAD frequency setting register (DBFREQ).
 - A. Set DLLRST = 0.
 - B. Set the frequency of DDRPAD in the FREQ bit.
 - C. After DLLRST has been set to 1, the time interval of 100 μ s that the DLL needs in order to stabilize is applied through the software. The clock stabilization supply time of 200 μ s that is required for the DDR2-SDRAM to boot, including the wait time described in item 2 above, can be assured.
5. Write the setting to the DDRPAD DIC, ODT, OCD setting register (DBDICODTOCD). The value written to the register should match the value set in EMRS(1) of the SDRAM.
6. Writing to the CMD bits in the SDRAM command control register (DBCMDCNT) sets the MCKE signal to the high level (H), and the software is used to have the system wait for at least 400 ns.
7. Writing to the CMD bits in DBCMDCNT issues the PALL command.
8. Writing to the SDRAM mode setting register (DBMRCNT) issues the EMRS(2) command to the SDRAM. After that, the EMRS(3) command is issued.
9. Writing to DBMRCNT issues the EMRS(1) command to the SDRAM and sets various parameters in the EMRS(1) register in the DDR2-SDRAM. The values for DIC, ODT, and OCD should be set to match the DIC bit, ODT bit, and OCD bit settings in the DIC, ODT, OCD setting registers of DDRPAD.

10. Writing to DBMRCNT issues the MRS command to the SDRAM and sets the various parameters. At this point, the operating mode is set to normal mode, the DLL reset is set to reset, the burst length is set to 4, and the burst type is set to sequential. The additive latency should be set to 0, and CAS latency and write recovery times should be set to match the settings of DBTR0 and DBTR1.
11. Writing to the CMD bits in DBCMDCNT issues the PALL command.
12. Writing to the CMD bits in DBCMDCNT issues the REF command. Following that, writing to the CMD bits in DBCMDCNT is done once again and the REF command is issued.
13. Writing to DBMRCNT issues the MRS command to the SDRAM. Other than the parameter that cancels a DLL reset in the SDRAM, the parameters are the same as the values set in item 10 above.
14. After a wait of at least 200 clock cycles has elapsed via the software, writing to DBMRCNT issues the EMRS(1) command to the SDRAM and issues the OCD default command. Subsequently, writing is done to DBMRCNT, the EMRS(1) command is issued, and the OCD calibration mode exit command is issued.
15. A 1 (access enabled) is set in the ACEN bit in the SDRAM operation enable register (DBEN).
16. Enter settings in the SDRAM refresh control register 1 (DBRFCNT1) and the SDRAM refresh control register 2 (DBRFCNT2), and set the auto-refresh interval and other parameters.
17. Set the ARFEN bit in DBRFCNT0 to 1 (automatic issue of auto-refresh enabled). Normal access is subsequently enabled.

12.5.4 Self-Refresh Operation

Self-refreshing helps to reduce the amount of power consumed by the SDRAM and makes it possible to change the clock frequency and stop the clock.

Also, using the self-refresh operation in combination with power supply control makes it possible to operate in power supply backup mode, with all power supplies other than that of the SDRAM off. For details on power supply backup mode, refer to section 12.5.10, DDR2-SDRAM Power Supply Backup Function.

(1) Self-Refreshing (without Stopping the Clock)

If it is not necessary to access the SDRAM, the SDRAM can be put in self-refresh mode to reduce power consumption while still retaining data contents.

Shifting to self-refresh mode is done by writing 1 to the self-refresh enable bit (SRFEN) in the SDRAM refresh control register 0 (DBRFCNT0). Self-refresh mode can be cancelled by writing 0 to the SRFEN bit.

Because access is disabled in self-refresh mode, any attempt to access data in the DDR2-SDRAM will be ignored.

The following procedure is used to make a transition to self-refresh mode.

1. Check to make sure the DBSC2 is not being accessed. The time required for transition to self-refresh must not exceed the auto-refresh interval requested by the SDRAM by interrupts or some other causes.
2. Set the ACEN bit in the SDRAM operation enable register (DBEN) to 0 (access disabled).
3. Set the ARFEN bit in the SDRAM refresh control register 0 (DBRFCNT0) to 0 (automatic issue of auto-refresh disabled).
4. Use the CMD bits in the SDRAM command control register (DBCMDCNT) to issue the PALL (precharge all banks) command.
5. Use the CMD bits in DBCMDCNT to issue the REF (auto-refresh) command.
6. Set the SRFEN bit in DBRFCNT0 to 1 to make a transition to self-refresh mode.

Use the following procedure to cancel self-refresh mode.

1. Make sure that the processing described in items 2 through 6 will not be disrupted by interrupts, etc. to assure the auto-refresh interval.
2. Set the SRFEN bit in DBRFCNT0 to 0, to cancel self-refresh mode.
3. Use the software to wait until access to the SDRAM is enabled. The value for this time period must be at least as long as the time until the non-read command is issued following cancellation of the self-refresh status (tXSNR time) that is specified in the datasheet for the SDRAM being used.
4. Use the CMD bits DBCMDCNT to issue the REF (auto-refresh) command.
5. Set the ACEN bit in DBEN to 1 (access enabled).
6. Set the ARFEN bit in DBRFCNT0 to 1 (automatic issue of auto-refresh enabled). Normal access is enabled after that point).

(2) Self-Refreshing (Stopping the Clock or Changing the Frequency)

Shifting to self-refresh mode is done by writing 1 to the self-refresh enable bit (SRFEN) in the SDRAM refresh control register 0 (DBRFCNT0). Self-refresh mode can be cancelled by writing 0 to the SRFE bit.

Because access is disabled in self-refresh mode, no commands are issued to the SDRAM if an attempt to access data in the SDRAM is made.

The following procedure is used to make a transition to self-refresh mode.

1. Check to make sure the DBSC2 is not being accessed. The time required for transition to self-refresh must not exceed the auto-refresh interval requested by the SDRAM by interrupts or some other causes.
2. Set the ACEN bit in the SDRAM operation enable register (DBEN) to 0 (access disabled).
3. Set the ARFEN bit in the SDRAM refresh control register 0 (DBRFCNT0) to 0 (automatic issue of auto-refresh disabled).
4. Use the CMD bits in the SDRAM command control register (DBCMDCNT) to issue the PALL (precharge all banks) command.
5. Use the CMD bits in DBCMDCNT to issue the REF (auto-refresh) command.
6. Set the SRFEN bit in DBRFCNT0 to 1 to make a transition to self-refresh mode.
7. Read DBRFCNT0, and make sure the SRFEN bit is set to 1.
8. Using the CPG setting, stop the clock to the DBSC2, or change the frequency.

Use the following procedure to cancel self-refresh mode.

1. Re-start the clock supply, and wait until the clock is being stably supplied to the DBSC2.
2. Writing to the DDRPAD frequency setting register (DBFREQ) enters the DLL settings.
 - A. Set DLLRST = 0.
 - B. Set the DDRPAD frequency in the FREQ bit.
 - C. After DLLRST = 1 has been set, use the software to wait the time necessary for the DLL to stabilize with the DDRPAD, which is at least 100 μ s.
3. Set the SRFEN bit in DBRFCNT0 to 0, to cancel self-refresh mode.
4. Use the software to wait until access to the DDR2-SDRAM is enabled. The value for this time period must be at least as long as the time until the non-read command is issued following cancellation of the self-refresh status (tXSNR time) that is specified in the datasheet for the SDRAM being used.
5. Use the CMD bits in DBCMDCNT to issue the REF (auto-refresh) command.
6. Set the ACEN bit in DBEN to 1 (access enabled).
7. Set the ARFEN bit in DBRFCNT0 to 1 (automatic issue of auto-refresh enabled). Normal access is enabled after that point.

12.5.5 Auto-Refresh Operation

When the auto-refresh enable bit (ARFEN) in the SDRAM refresh control register 0 (DBRFCNT0) is 1, the auto-refresh command is issued periodically. If accessing data in the SDRAM, always make sure this is set.

The average refresh interval is set in the TREFI bits in the SDRAM refresh control register 1 (DBRFCNT1).

In order to minimize reductions in the data transfer capability caused by auto-refreshing, the timing at which auto-refreshing is carried out can be divided into three levels and controlled:

- Level 0: Refreshing is done in vacant periods between commands being received from the SuperHyway bus.
- Level 1: Refreshes are issued during request empty cycles.
- Level 2: Refreshing is not done.

The threshold values for level 0 and level 1 are set using the LV0TH bit in the SDRAM refresh control register 2 (DBRFCNT2), and the threshold values for level 1 and level 2 are set using the LV1TH bit.

The refresh timing is controlled using a 14-bit refresh counter. The refresh counter counts down based on the DDR clock, until a refresh is carried out. When a refresh is carried out, the counter value increments by the amount of the average refresh interval set with the TREFI bits in DBRFCNT1. Figure 12.7 shows an example of the refresh operation and the update of the refresh counter.

If there is a bank that is open before the auto-refresh is carried out, the DBSC2 automatically uses the PALL (precharge all banks) command to precharge all of the banks, and then issues the REF (auto-refresh) command. Consequently, after the refresh takes place, data access for all of the banks will be in the missed page state.

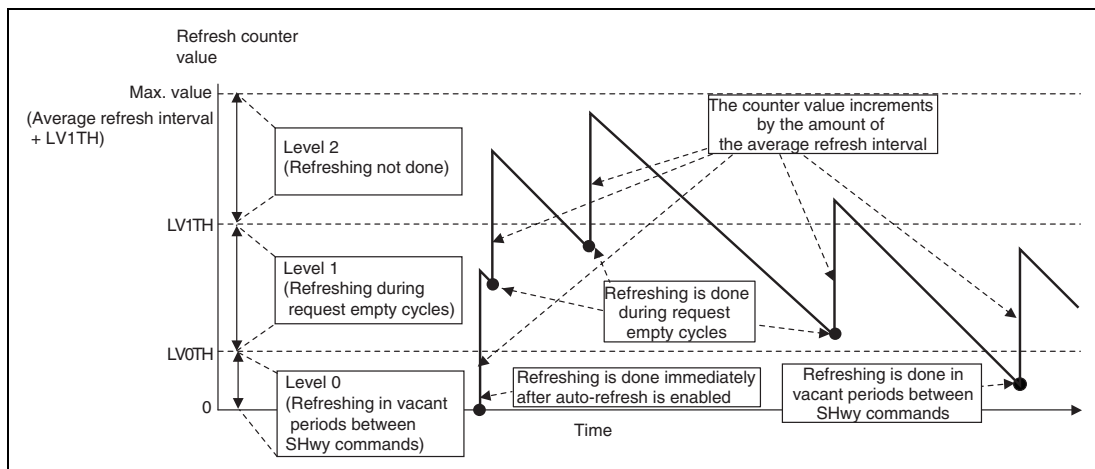


Figure 12.7 Relation between Auto-Refresh Operation and Threshold Values

12.5.6 Regarding Address Multiplexing

Memory of various sizes can be connected through the settings of the SDRAM configuration register (DBCONF). The BWIDTH bits are used to set the external data bus width, and the SPLIT bit is used to set the size of the memory connected. The BASFT bit setting is used to move the position of the bank address toward the lower bits; depending on the application the possibility of page hits may be increased.

**Table 12.12 Relation between SDRAM Address Pins and Logical Addresses when the External Data Bus Width Is Set to 16 Bits (BASFT = 00)
(When Using a 16-Bit Product, One Is Connected; for 8-Bit Products, Two Are Connected)**

Memory Type	MBA 2	MBA 1	MBA 0	MA14	MA13	MA12	MA11	MA10	MA9	MA8	MA7	MA6	MA5	MA4	MA3	MA2	MA1	MA0	
16M×16b	ROW	—	A11	A10	—	—	A24	A23	A22	A21	A20	A19	A18	A17	A16	A15	A14	A13	A12
	COL	—	A11	A10	—	—	—	—	—	A9	A8	A7	A6	A5	A4	A3	A2	A1	
32M×8b	ROW	—	A12	A11	—	—	A25	A24	A23	A22	A21	A20	A19	A18	A17	A16	A15	A14	A13
	COL	—	A12	A11	—	—	—	—	A10	A9	A8	A7	A6	A5	A4	A3	A2	A1	
32M×16b	ROW	—	A12	A11	—	—	A25	A24	A23	A22	A21	A20	A19	A18	A17	A16	A15	A14	A13
	COL	—	A12	A11	—	—	—	—	A10	A9	A8	A7	A6	A5	A4	A3	A2	A1	
64M×8b	ROW	—	A12	A11	—	A26	A25	A24	A23	A22	A21	A20	A19	A18	A17	A16	A15	A14	A13
	COL	—	A12	A11	—	—	—	—	A10	A9	A8	A7	A6	A5	A4	A3	A2	A1	
64M×16b	ROW	A11	A12	A13	—	A26	A25	A24	A23	A22	A21	A20	A19	A18	A17	A16	A15	A14	
	COL	A11	A12	A13	—	—	—	—	A10	A9	A8	A7	A6	A5	A4	A3	A2	A1	
128M×8b	ROW	A11	A12	A13	—	A27	A26	A25	A24	A23	A22	A21	A20	A19	A18	A17	A16	A15	A14
	COL	A11	A12	A13	—	—	—	—	A10	A9	A8	A7	A6	A5	A4	A3	A2	A1	
128M×16b	ROW	A11	A12	A13	—	A27	A26	A25	A24	A23	A22	A21	A20	A19	A18	A17	A16	A15	A14
	COL	A11	A12	A13	—	—	—	—	A10	A9	A8	A7	A6	A5	A4	A3	A2	A1	
256M×8b	ROW	A11	A12	A13	A28	A27	A26	A25	A24	A23	A22	A21	A20	A19	A18	A17	A16	A15	A14
	COL	A11	A12	A13	—	—	—	—	A10	A9	A8	A7	A6	A5	A4	A3	A2	A1	

**Table 12.13 Relation between SDRAM Address Pins and Logical Addresses when the External Data Bus Width Is Set to 32 Bits (BASFT = 00)
(When Using 16-Bit Products, Two Are Connected; for 8-Bit Products, Four Are Connected)**

Memory Type		MBA	MBA	MBA	MA14	MA13	MA12	MA11	MA10	MA9	MA8	MA7	MA6	MA5	MA4	MA3	MA2	MA1	MA0
		2	1	0															
16M×16b	ROW	—	A12	A11	—	—	A25	A24	A23	A22	A21	A20	A19	A18	A17	A16	A15	A14	A13
	COL	—	A12	A11	—	—	—	—	—	—	A10	A9	A8	A7	A6	A5	A4	A3	A2
32M×8b	ROW	—	A12	A13	—	—	A26	A25	A24	A23	A22	A21	A20	A19	A18	A17	A16	A15	A14
	COL	—	A12	A13	—	—	—	—	—	A11	A10	A9	A8	A7	A6	A5	A4	A3	A2
32M×16b	ROW	—	A12	A13	—	—	A26	A25	A24	A23	A22	A21	A20	A19	A18	A17	A16	A15	A14
	COL	—	A12	A13	—	—	—	—	—	A11	A10	A9	A8	A7	A6	A5	A4	A3	A2
64M×8b	ROW	—	A12	A13	—	A27	A26	A25	A24	A23	A22	A21	A20	A19	A18	A17	A16	A15	A14
	COL	—	A12	A13	—	—	—	—	—	A11	A10	A9	A8	A7	A6	A5	A4	A3	A2
64M×16b	ROW	A14	A12	A13	—	A27	A26	A25	A24	A23	A22	A21	A20	A19	A18	A17	A16	A15	
	COL	A14	A12	A13	—	—	—	—	—	A11	A10	A9	A8	A7	A6	A5	A4	A3	A2
128M×8b	ROW	A14	A12	A13	—	A28	A27	A26	A25	A24	A23	A22	A21	A20	A19	A18	A17	A16	A15
	COL	A14	A12	A13	—	—	—	—	—	A11	A10	A9	A8	A7	A6	A5	A4	A3	A2
128M×16b	ROW	A14	A12	A13	—	A28	A27	A26	A25	A24	A23	A22	A21	A20	A19	A18	A17	A16	A15
	COL	A14	A12	A13	—	—	—	—	—	A11	A10	A9	A8	A7	A6	A5	A4	A3	A2
256M×8b	ROW	A14	A12	A13	A29	A28	A27	A26	A25	A24	A23	A22	A21	A20	A19	A18	A17	A16	A15
	COL	A14	A12	A13	—	—	—	—	—	A11	A10	A9	A8	A7	A6	A5	A4	A3	A2

**Table 12.14 Relation between SDRAM Address Pins and Logical Addresses when the External Data Bus Width Is Set to 16 Bits (BASFT = 01)
(When Using a 16-Bit Product, One Is Connected; for 8-Bit Products, Two Are Connected)**

Memory Type	MBA 2	MBA 1	MBA 0	MA14	MA13	MA12	MA11	MA10	MA9	MA8	MA7	MA6	MA5	MA4	MA3	MA2	MA1	MA0	
16M×16b	ROW	—	A10	A9	—	—	A24	A23	A22	A21	A20	A19	A18	A17	A16	A15	A14	A13	A12
	COL	—	A10	A9	—	—	—	—	—	A11	A8	A7	A6	A5	A4	A3	A2	A1	
32M×8b	ROW	—	A11	A10	—	—	A25	A24	A23	A22	A21	A20	A19	A18	A17	A16	A15	A14	A13
	COL	—	A11	A10	—	—	—	—	—	A12	A9	A8	A7	A6	A5	A4	A3	A2	A1
32M×16b	ROW	—	A11	A10	—	—	A25	A24	A23	A22	A21	A20	A19	A18	A17	A16	A15	A14	A13
	COL	—	A11	A10	—	—	—	—	—	A12	A9	A8	A7	A6	A5	A4	A3	A2	A1
64M×8b	ROW	—	A11	A10	—	A26	A25	A24	A23	A22	A21	A20	A19	A18	A17	A16	A15	A14	A13
	COL	—	A11	A10	—	—	—	—	—	A12	A9	A8	A7	A6	A5	A4	A3	A2	A1
64M×16b	ROW	A10	A11	A12	—	A26	A25	A24	A23	A22	A21	A20	A19	A18	A17	A16	A15	A14	
	COL	A10	A11	A12	—	—	—	—	—	A13	A9	A8	A7	A6	A5	A4	A3	A2	A1
128M×8b	ROW	A10	A11	A12	—	A27	A26	A25	A24	A23	A22	A21	A20	A19	A18	A17	A16	A15	A14
	COL	A10	A11	A12	—	—	—	—	—	A13	A9	A8	A7	A6	A5	A4	A3	A2	A1
128M×16b	ROW	A10	A11	A12	—	A27	A26	A25	A24	A23	A22	A21	A20	A19	A18	A17	A16	A15	A14
	COL	A10	A11	A12	—	—	—	—	—	A13	A9	A8	A7	A6	A5	A4	A3	A2	A1
256M×8b	ROW	A10	A11	A12	A28	A27	A26	A25	A24	A23	A22	A21	A20	A19	A18	A17	A16	A15	A14
	COL	A10	A11	A12	—	—	—	—	—	A13	A9	A8	A7	A6	A5	A4	A3	A2	A1

**Table 12.15 Relation between SDRAM Address Pins and Logical Addresses when the External Data Bus Width Is Set to 32 Bits (BASFT = 01)
(When Using 16-Bit Products, Two Are Connected; for 8-Bit Products, Four Are Connected)**

Memory Type		MBA	MBA	MBA	MA14	MA13	MA12	MA11	MA10	MA9	MA8	MA7	MA6	MA5	MA4	MA3	MA2	MA1	MA0
		2	1	0															
16M×16b	ROW	—	A11	A10	—	—	A25	A24	A23	A22	A21	A20	A19	A18	A17	A16	A15	A14	A13
	COL	—	A11	A10	—	—	—	—	—	—	A12	A9	A8	A7	A6	A5	A4	A3	A2
32M×8b	ROW	—	A11	A12	—	—	A26	A25	A24	A23	A22	A21	A20	A19	A18	A17	A16	A15	A14
	COL	—	A11	A12	—	—	—	—	—	A13	A10	A9	A8	A7	A6	A5	A4	A3	A2
32M×16b	ROW	—	A11	A12	—	—	A26	A25	A24	A23	A22	A21	A20	A19	A18	A17	A16	A15	A14
	COL	—	A11	A12	—	—	—	—	—	A13	A10	A9	A8	A7	A6	A5	A4	A3	A2
64M×8b	ROW	—	A11	A12	—	A27	A26	A25	A24	A23	A22	A21	A20	A19	A18	A17	A16	A15	A14
	COL	—	A11	A12	—	—	—	—	—	A13	A10	A9	A8	A7	A6	A5	A4	A3	A2
64M×16b	ROW	A13	A11	A12	—	A27	A26	A25	A24	A23	A22	A21	A20	A19	A18	A17	A16	A15	
	COL	A13	A11	A12	—	—	—	—	—	A14	A10	A9	A8	A7	A6	A5	A4	A3	A2
128M×8b	ROW	A13	A11	A12	—	A28	A27	A26	A25	A24	A23	A22	A21	A20	A19	A18	A17	A16	A15
	COL	A13	A11	A12	—	—	—	—	—	A14	A10	A9	A8	A7	A6	A5	A4	A3	A2
128M×16b	ROW	A13	A11	A12	—	A28	A27	A26	A25	A24	A23	A22	A21	A20	A19	A18	A17	A16	A15
	COL	A13	A11	A12	—	—	—	—	—	A14	A10	A9	A8	A7	A6	A5	A4	A3	A2
256M×8b	ROW	A13	A11	A12	A29	A28	A27	A26	A25	A24	A23	A22	A21	A20	A19	A18	A17	A16	A15
	COL	A13	A11	A12	—	—	—	—	—	A14	A10	A9	A8	A7	A6	A5	A4	A3	A2

**Table 12.16 Relation between SDRAM Address Pins and Logical Addresses when the External Data Bus Width Is Set to 16 Bits (BASFT = 10)
(When Using a 16-Bit Product, One Is Connected; for 8-Bit Products, Two Are Connected)**

Memory Type	MBA			MA14	MA13	MA12	MA11	MA10	MA9	MA8	MA7	MA6	MA5	MA4	MA3	MA2	MA1	MA0	
	2	1	0																
16M×16b	ROW	—	A9	A8	—	—	A24	A23	A22	A21	A20	A19	A18	A17	A16	A15	A14	A13	A12
	COL	—	A9	A8	—	—	—	—	—	—	A11	A10	A7	A6	A5	A4	A3	A2	A1
32M×8b	ROW	—	A10	A9	—	—	A25	A24	A23	A22	A21	A20	A19	A18	A17	A16	A15	A14	A13
	COL	—	A10	A9	—	—	—	—	—	A12	A11	A8	A7	A6	A5	A4	A3	A2	A1
32M×16b	ROW	—	A10	A9	—	—	A25	A24	A23	A22	A21	A20	A19	A18	A17	A16	A15	A14	A13
	COL	—	A10	A9	—	—	—	—	—	A12	A11	A8	A7	A6	A5	A4	A3	A2	A1
64M×8b	ROW	—	A10	A9	—	A26	A25	A24	A23	A22	A21	A20	A19	A18	A17	A16	A15	A14	A13
	COL	—	A10	A9	—	—	—	—	—	A12	A11	A8	A7	A6	A5	A4	A3	A2	A1
64M×16b	ROW	A9	A10	A11	—	A26	A25	A24	A23	A22	A21	A20	A19	A18	A17	A16	A15	A14	
	COL	A9	A10	A11	—	—	—	—	—	A13	A12	A8	A7	A6	A5	A4	A3	A2	A1
128M×8b	ROW	A9	A10	A11	—	A27	A26	A25	A24	A23	A22	A21	A20	A19	A18	A17	A16	A15	A14
	COL	A9	A10	A11	—	—	—	—	—	A13	A12	A8	A7	A6	A5	A4	A3	A2	A1
128M×16b	ROW	A9	A10	A11	—	A27	A26	A25	A24	A23	A22	A21	A20	A19	A18	A17	A16	A15	A14
	COL	A9	A10	A11	—	—	—	—	—	A13	A12	A8	A7	A6	A5	A4	A3	A2	A1
256M×8b	ROW	A9	A10	A11	A28	A27	A26	A25	A24	A23	A22	A21	A20	A19	A18	A17	A16	A15	A14
	COL	A9	A10	A11	—	—	—	—	—	A13	A12	A8	A7	A6	A5	A4	A3	A2	A1

**Table 12.17 Relation between SDRAM Address Pins and Logical Addresses when the External Data Bus Width Is Set to 32 Bits (BASFT = 10)
(When Using 16-Bit Products, Two Are Connected; for 8-Bit Products, Four Are Connected)**

Memory Type		MBA	MBA	MBA	MA14	MA13	MA12	MA11	MA10	MA9	MA8	MA7	MA6	MA5	MA4	MA3	MA2	MA1	MA0
		2	1	0															
16M×16b	ROW	—	A10	A9	—	—	A25	A24	A23	A22	A21	A20	A19	A18	A17	A16	A15	A14	A13
	COL	—	A10	A9	—	—	—	—	—	—	A12	A11	A8	A7	A6	A5	A4	A3	A2
32M×8b	ROW	—	A10	A11	—	—	A26	A25	A24	A23	A22	A21	A20	A19	A18	A17	A16	A15	A14
	COL	—	A10	A11	—	—	—	—	—	A13	A12	A9	A8	A7	A6	A5	A4	A3	A2
32M×16b	ROW	—	A10	A11	—	—	A26	A25	A24	A23	A22	A21	A20	A19	A18	A17	A16	A15	A14
	COL	—	A10	A11	—	—	—	—	—	A13	A12	A9	A8	A7	A6	A5	A4	A3	A2
64M×8b	ROW	—	A10	A11	—	A27	A26	A25	A24	A23	A22	A21	A20	A19	A18	A17	A16	A15	A14
	COL	—	A10	A11	—	—	—	—	—	A13	A12	A9	A8	A7	A6	A5	A4	A3	A2
64M×16b	ROW	A12	A10	A11	—	A27	A26	A25	A24	A23	A22	A21	A20	A19	A18	A17	A16	A15	
	COL	A12	A10	A11	—	—	—	—	—	A14	A13	A9	A8	A7	A6	A5	A4	A3	A2
128M×8b	ROW	A12	A10	A11	—	A28	A27	A26	A25	A24	A23	A22	A21	A20	A19	A18	A17	A16	A15
	COL	A12	A10	A11	—	—	—	—	—	A14	A13	A9	A8	A7	A6	A5	A4	A3	A2
128M×16b	ROW	A12	A10	A11	—	A28	A27	A26	A25	A24	A23	A22	A21	A20	A19	A18	A17	A16	A15
	COL	A12	A10	A11	—	—	—	—	—	A14	A13	A9	A8	A7	A6	A5	A4	A3	A2
256M×8b	ROW	A12	A10	A11	A29	A28	A27	A26	A25	A24	A23	A22	A21	A20	A19	A18	A17	A16	A15
	COL	A12	A10	A11	—	—	—	—	—	A14	A13	A9	A8	A7	A6	A5	A4	A3	A2

**Table 12.18 Relation between SDRAM Address Pins and Logical Addresses when the External Data Bus Width Is Set to 16 Bits (BASFT = 11)
(When Using a 16-Bit Product, One Is Connected; for 8-Bit Products, Two Are Connected)**

Memory Type	MBA 2	MBA 1	MBA 0	MA14	MA13	MA12	MA11	MA10	MA9	MA8	MA7	MA6	MA5	MA4	MA3	MA2	MA1	MA0	
16M×16b	ROW	—	A8	A7	—	—	A24	A23	A22	A21	A20	A19	A18	A17	A16	A15	A14	A13	A12
	COL	—	A8	A7	—	—	—	—	—	—	A11	A10	A9	A6	A5	A4	A3	A2	A1
32M×8b	ROW	—	A9	A8	—	—	A25	A24	A23	A22	A21	A20	A19	A18	A17	A16	A15	A14	A13
	COL	—	A9	A8	—	—	—	—	—	A12	A11	A10	A7	A6	A5	A4	A3	A2	A1
32M×16b	ROW	—	A9	A8	—	—	A25	A24	A23	A22	A21	A20	A19	A18	A17	A16	A15	A14	A13
	COL	—	A9	A8	—	—	—	—	—	A12	A11	A10	A7	A6	A5	A4	A3	A2	A1
64M×8b	ROW	—	A9	A8	—	A26	A25	A24	A23	A22	A21	A20	A19	A18	A17	A16	A15	A14	A13
	COL	—	A9	A8	—	—	—	—	—	A12	A11	A10	A7	A6	A5	A4	A3	A2	A1
64M×16b	ROW	A8	A9	A10	—	A26	A25	A24	A23	A22	A21	A20	A19	A18	A17	A16	A15	A14	
	COL	A8	A9	A10	—	—	—	—	—	A13	A12	A11	A7	A6	A5	A4	A3	A2	A1
128M×8b	ROW	A8	A9	A10	—	A27	A26	A25	A24	A23	A22	A21	A20	A19	A18	A17	A16	A15	A14
	COL	A8	A9	A10	—	—	—	—	—	A13	A12	A11	A7	A6	A5	A4	A3	A2	A1
128M×16b	ROW	A8	A9	A10	—	A27	A26	A25	A24	A23	A22	A21	A20	A19	A18	A17	A16	A15	A14
	COL	A8	A9	A10	—	—	—	—	—	A13	A12	A11	A7	A6	A5	A4	A3	A2	A1
256M×8b	ROW	A8	A9	A10	A28	A27	A26	A25	A24	A23	A22	A21	A20	A19	A18	A17	A16	A15	A14
	COL	A8	A9	A10	—	—	—	—	—	A13	A12	A11	A7	A6	A5	A4	A3	A2	A1

**Table 12.19 Relation between SDRAM Address Pins and Logical Addresses when the External Data Bus Width Is Set to 32 Bits (BASFT = 11)
(When Using 16-bit Products, Two Are Connected; for 8-Bit Products, Four Are Connected)**

Memory Type		MBA	MBA	MBA	MA14	MA13	MA12	MA11	MA10	MA9	MA8	MA7	MA6	MA5	MA4	MA3	MA2	MA1	MA0
		2	1	0															
16M×16b	ROW	—	A9	A8	—	—	A25	A24	A23	A22	A21	A20	A19	A18	A17	A16	A15	A14	A13
	COL	—	A9	A8	—	—	—	—	—	—	A12	A11	A10	A7	A6	A5	A4	A3	A2
32M×8b	ROW	—	A9	A10	—	—	A26	A25	A24	A23	A22	A21	A20	A19	A18	A17	A16	A15	A14
	COL	—	A9	A10	—	—	—	—	—	A13	A12	A11	A8	A7	A6	A5	A4	A3	A2
32M×16b	ROW	—	A9	A10	—	—	A26	A25	A24	A23	A22	A21	A20	A19	A18	A17	A16	A15	A14
	COL	—	A9	A10	—	—	—	—	—	A13	A12	A11	A8	A7	A6	A5	A4	A3	A2
64M×8b	ROW	—	A9	A10	—	A27	A26	A25	A24	A23	A22	A21	A20	A19	A18	A17	A16	A15	A14
	COL	—	A9	A10	—	—	—	—	—	A13	A12	A11	A8	A7	A6	A5	A4	A3	A2
64M×16b	ROW	A11	A9	A10	—	A27	A26	A25	A24	A23	A22	A21	A20	A19	A18	A17	A16	A15	
	COL	A11	A9	A10	—	—	—	—	—	A14	A13	A12	A8	A7	A6	A5	A4	A3	A2
128M×8b	ROW	A11	A9	A10	—	A28	A27	A26	A25	A24	A23	A22	A21	A20	A19	A18	A17	A16	A15
	COL	A11	A9	A10	—	—	—	—	—	A14	A13	A12	A8	A7	A6	A5	A4	A3	A2
128M×16b	ROW	A11	A9	A10	—	A28	A27	A26	A25	A24	A23	A22	A21	A20	A19	A18	A17	A16	A15
	COL	A11	A9	A10	—	—	—	—	—	A14	A13	A12	A8	A7	A6	A5	A4	A3	A2
256M×8b	ROW	A11	A9	A10	A29	A28	A27	A26	A25	A24	A23	A22	A21	A20	A19	A18	A17	A16	A15
	COL	A11	A9	A10	—	—	—	—	—	A14	A13	A12	A8	A7	A6	A5	A4	A3	A2

12.5.7 Regarding SDRAM Access and Timing Constraints

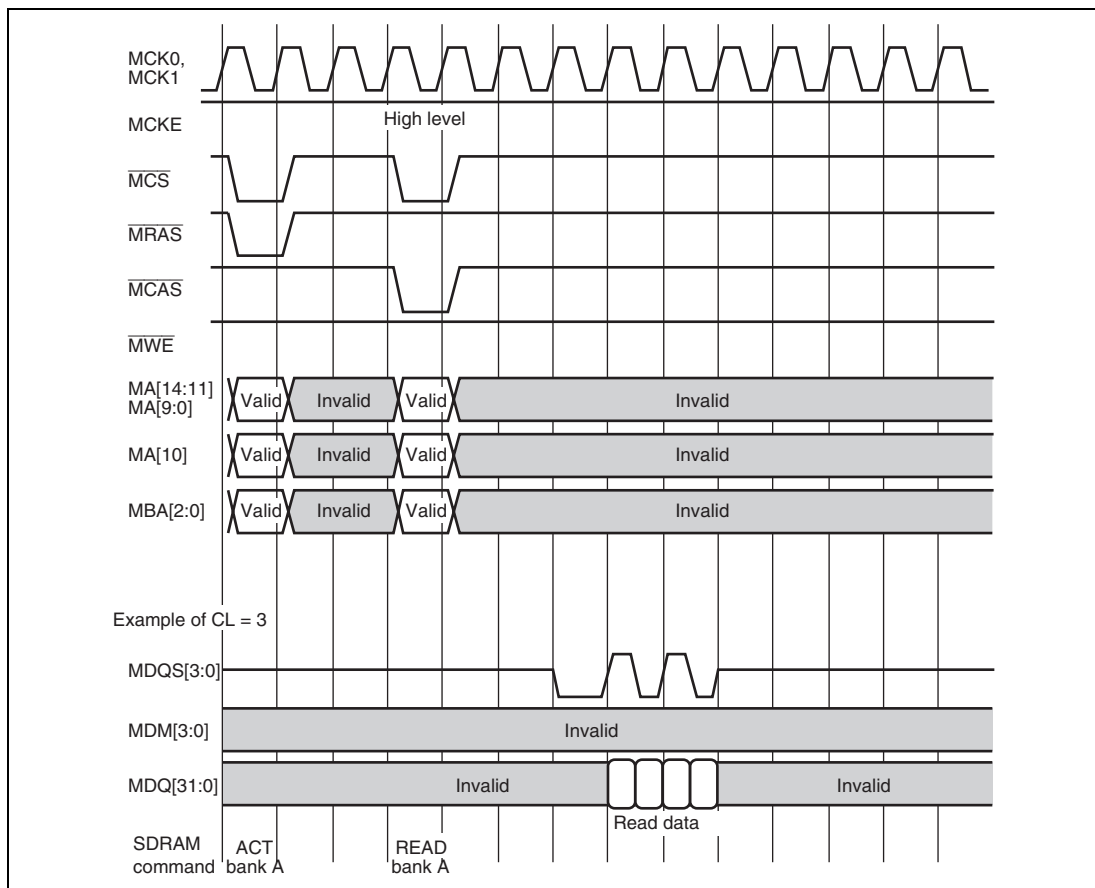
In this section, waveforms at the various pins during basic DDR2-SDRAM access are explained first and then the relation between DDR2-SDRAM access and the CAS latency (CL), tRAS, tRFC, tRCD, tRP, tRRD, tWR, tRTP, tRC, READ-WRITE minimum interval, WRITE-READ minimum interval set using the SDRAM timing registers 0 to 2 (DBTR0 to DBTR2) is explained.

(1) Basic SDRAM Access

In this section, waveforms at the various pins during basic SDRAM access, including reading, writing, auto-refresh, and self-refresh operations, are explained.

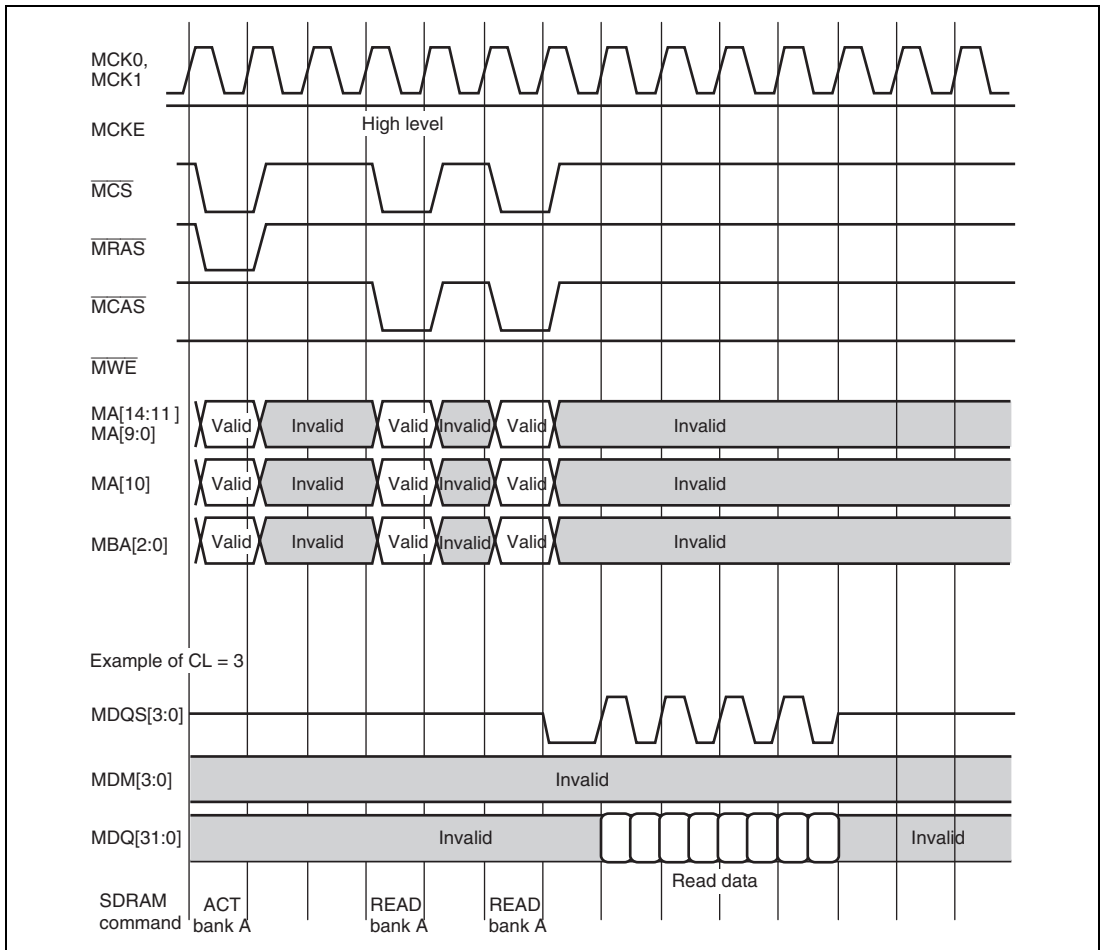
For the relation between writing and the ODT control signal output, refer to section 12.5.9, Important Information Regarding ODT Control Signal Output to SDRAM.

Figure 12.8 shows waveforms for 1/2/4/8/16-byte reading when the bus width is set to 32 bits. In this case, single-reading is performed in which the READ command is issued once. In this example, read access processing is executed for bank A after the ACT command is issued, but when there is a page hit, access begins with the issue of the READ command.



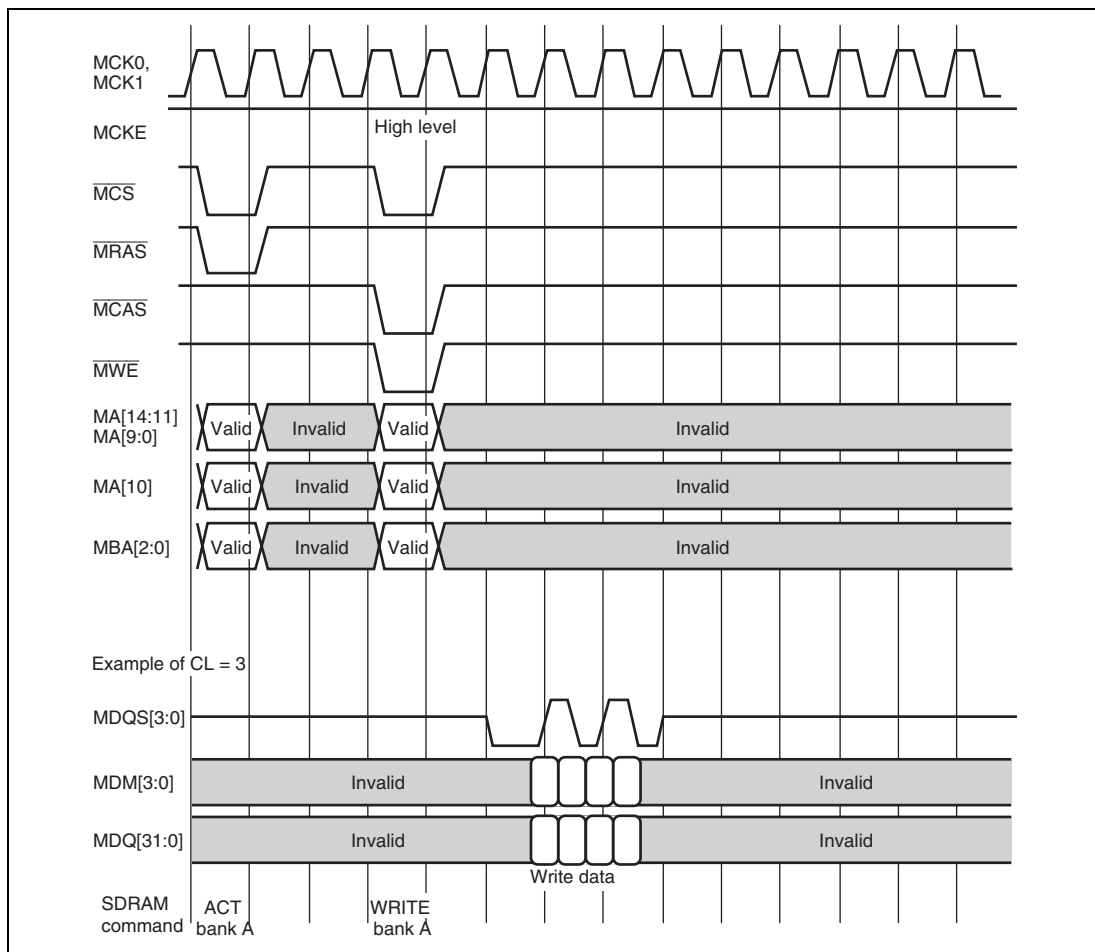
**Figure 12.8 Waveforms for 1/2/4/8/16-Byte Reading
(When the Bus Width Is Set to 32 Bits)**

Figure 12.9 shows waveforms for 32-byte reading when the bus width is set to 32 bits. In this case, the READ command is issued twice. In this example, read access processing is executed for bank A after the ACT command is issued, but when there is a page hit, access begins with the issue of the READ command.



**Figure 12.9 Waveforms for 32-Byte Reading
(When the Bus Width Is Set to 32 Bits)**

Figure 12.10 shows waveforms for 1/2/4/8/16-byte writing when the bus width is set to 32 bits. In this case, single-writing is performed in which the WRITE command is issued once. In this example, write access processing is executed for bank A after the ACT command is issued, but when there is a page hit, access begins with the issue of the WRITE command.



**Figure 12.10 Waveforms for 1/2/4/8/16-Byte Writing
(When the Bus Width Is Set to 32 Bits)**

Figure 12.11 shows waveforms for 32-byte writing when the bus width is set to 32 bits. In this case, the WRITE command is issued twice. In this example, write access processing is executed for bank A after the ACT command is issued, but when there is a page hit, access begins with the issue of the WRITE command.

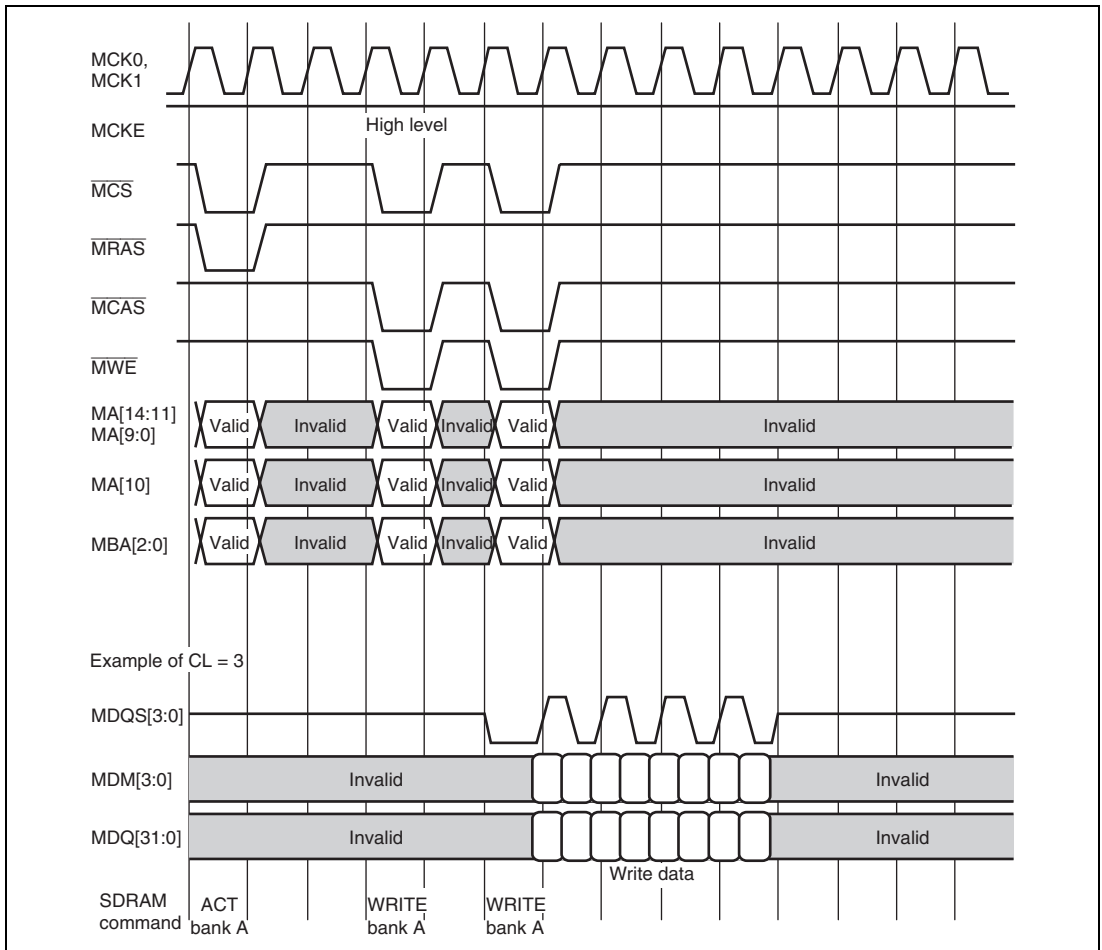


Figure 12.11 Waveforms for 32-Byte Writing (When the Bus Width Is Set to 32 Bits)

Figure 12.12 shows waveforms during auto-refresh operation resulting from settings of the SDRAM refresh control registers 0, 1, and 2. The DBSC2 issues a REF command automatically after the PALL command is issued when at least one DDR2-SDRAM bank is activated before the REF command. Consequently, there is no need to use software to manage precharging of all the banks for the auto-refresh operation.

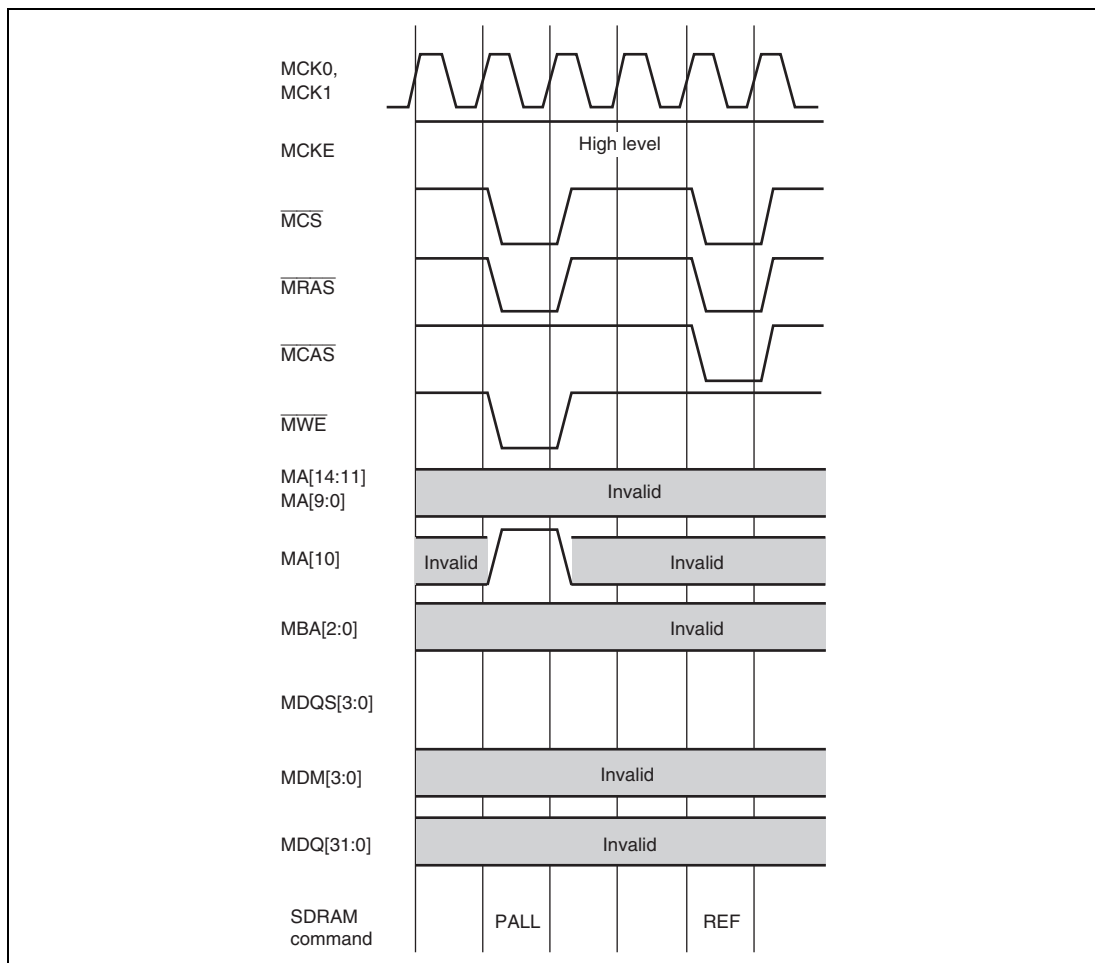


Figure 12.12 Auto-Refresh Operation

Figure 12.13 shows the self-refresh operation. In order to perform self-refresh operation, the sequence must be observed. For details, refer to section 12.5.4, Self-Refresh Operation.

When performing processing according to the sequence in section 12.5.4, Self-Refresh Operation, commands to be issued to the SDRAM are those shown in figure 12.13. Before the transition to self-refresh, the PALL command is issued in software. Then, software is used to issue the REF command, and the SLFRSH (self-refresh entry from IDLE) command is issued. The SDRAM continues in self-refresh mode until self-refresh is cancelled in software. After issuing the SLFRSHX (self-refresh exit) command in software, it is necessary to wait for the time (t_{XSNR}) specified in the datasheet for the SDRAM being used until issuing a REF command. A wait

example is shown in section 12.5.11, Method for Securing Time Required for Initialization, Self-Refresh Cancellation, etc.

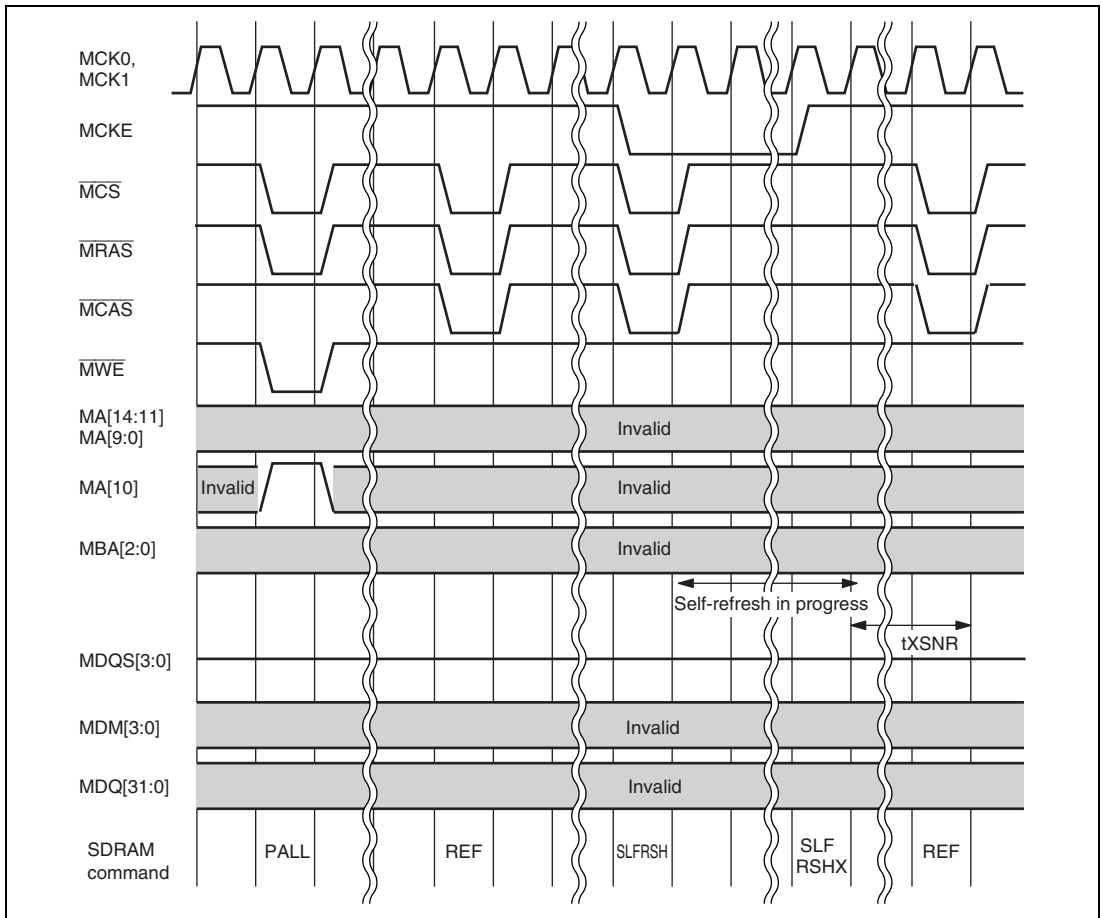


Figure 12.13 Self-Refresh Operation

(2) Regarding Timing Constraints

Figure 12.14 shows the relation between the settings of CL, tRAS, tRCD, and tRP, and the issuing of commands. Figure 12.15 shows the relation to tRRD and tRTP, figure 12.16 shows the relation to tWR, figure 12.17 shows the relation to tRC, figure 12.18 shows the relation to READ-WRITE, figure 12.19 shows the relation to WRITE-READ, and figure 12.20 shows the relation to tRFC.

Figure 12.14 corresponds to operation in a case in which, with bank A open, there is read access of bank A and a page miss occurs. The constraint tRP between the PRE command and ACT

command, the constraint t_{RCD} between the ACT command and READ command, and the constraint t_{RAS} between the ACT command and the PRE command are involved. The DBSC2 waits to issue commands until each of the constraints is satisfied.

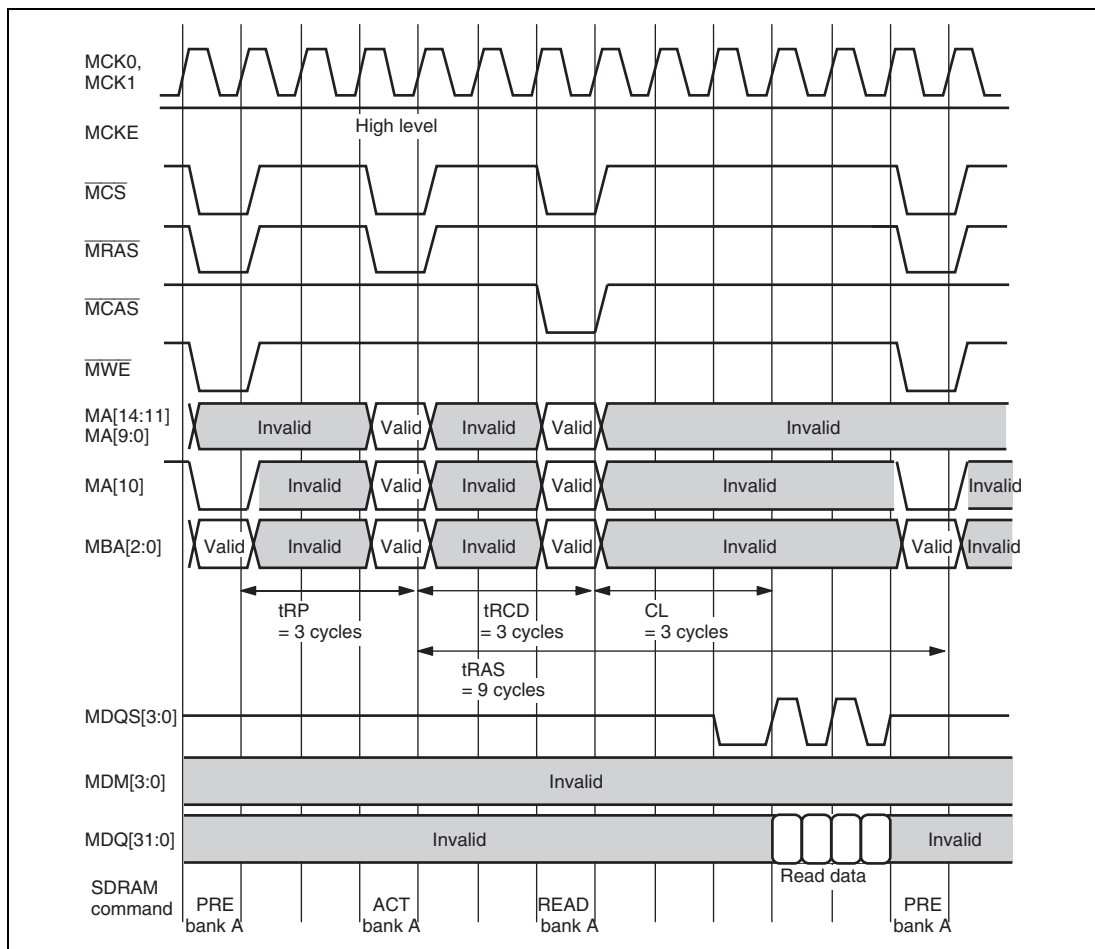


Figure 12.14 t_{RP} , t_{RCD} , CL , and t_{RAS}

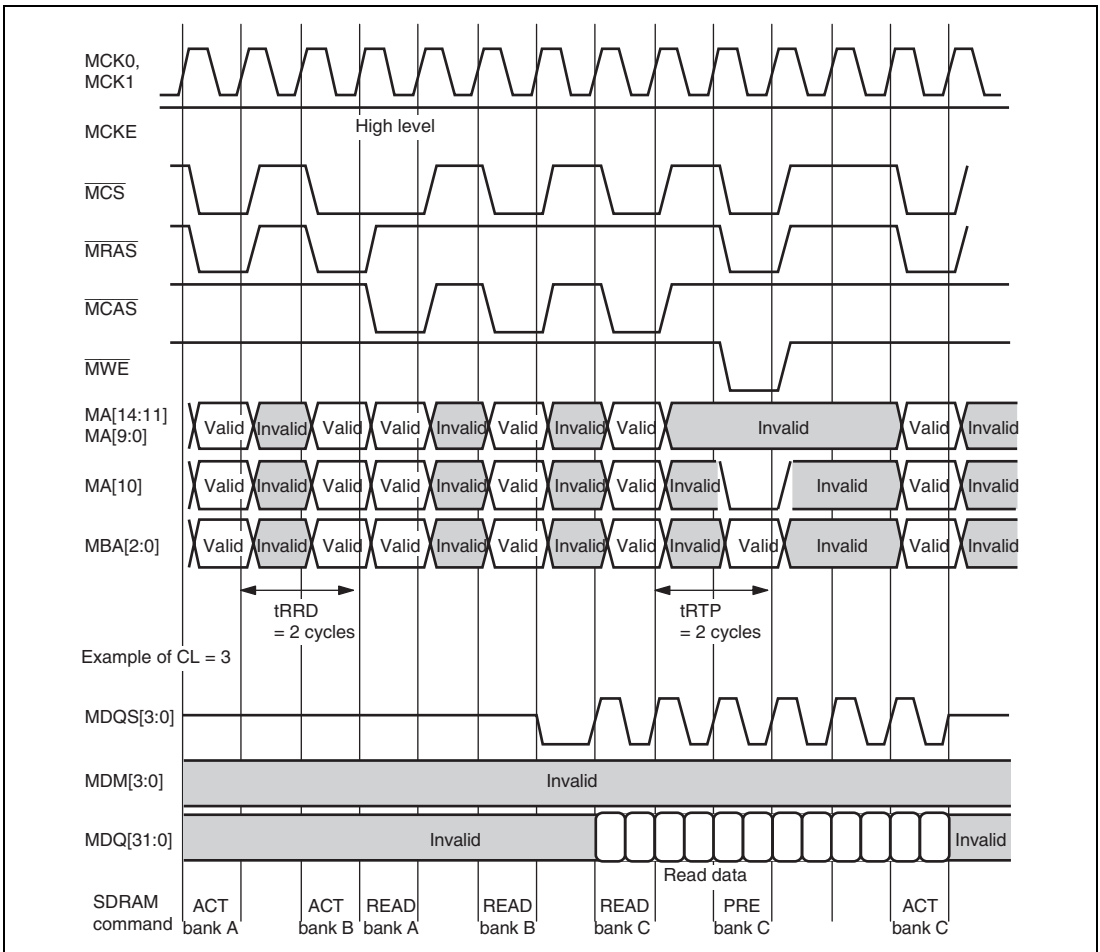


Figure 12.15 tRRD and tRTP

Figure 12.15 shows a case in which the pages for both of banks A and B are closed, the page for bank C is open, and a page hit has occurred. When the tRRD time constraint has been satisfied starting from issue of the ACT command for bank A, the ACT command for bank B is issued. Because time tRCD has elapsed from the issue of the ACT command for bank A, a READ command can be used. The READ command has a burst length of 4, so after two cycles a READ command for bank B can be issued. A further two cycles later, a READ command for bank C can be issued. However, the next request is access for which bank C must be closed, and so after the elapse of time tRTP a PRE command is issued.

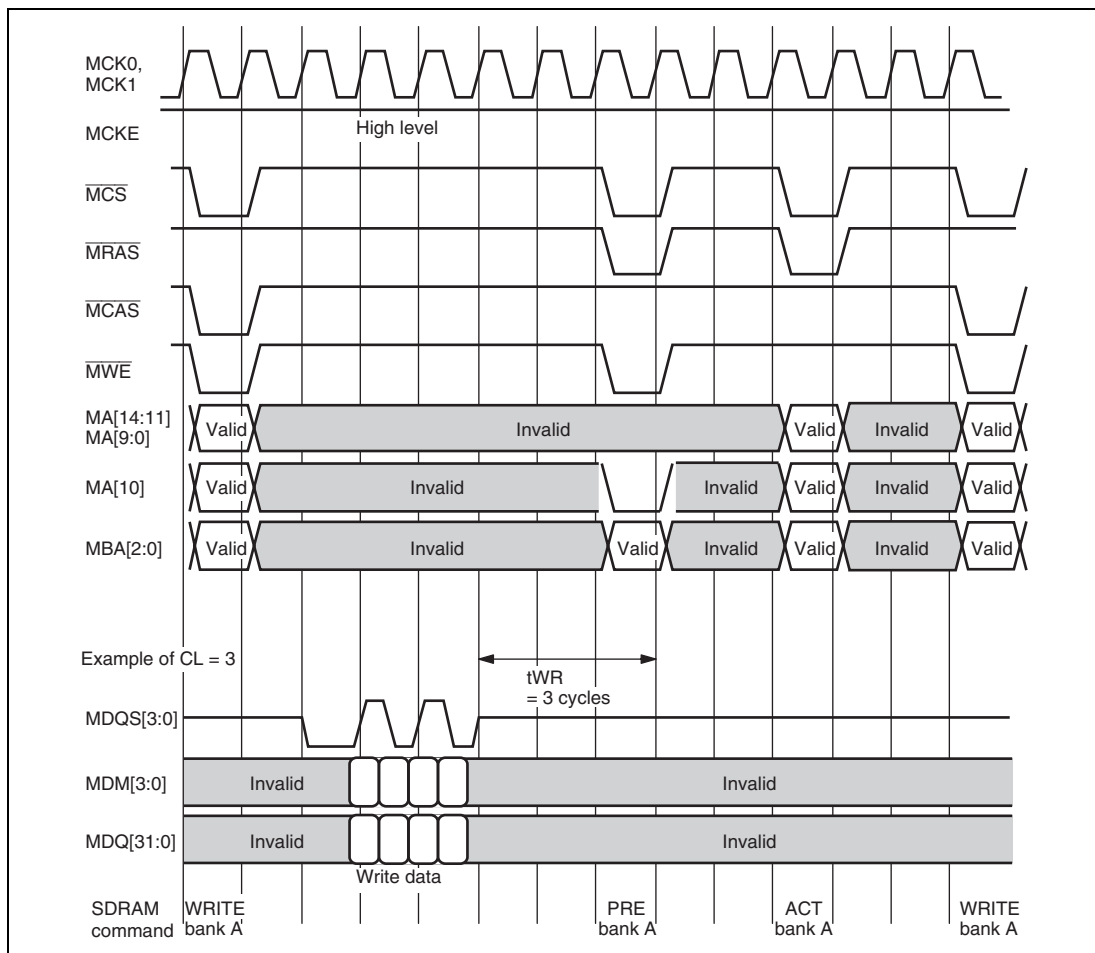


Figure 12.16 t_{WR}

Figure 12.16 shows a case in which, after a write request, access occurs requiring that bank B be closed. After the issue of a WRITE command, it is necessary to wait for time t_{WR} or longer after output of the write data before issuing a PRE command.

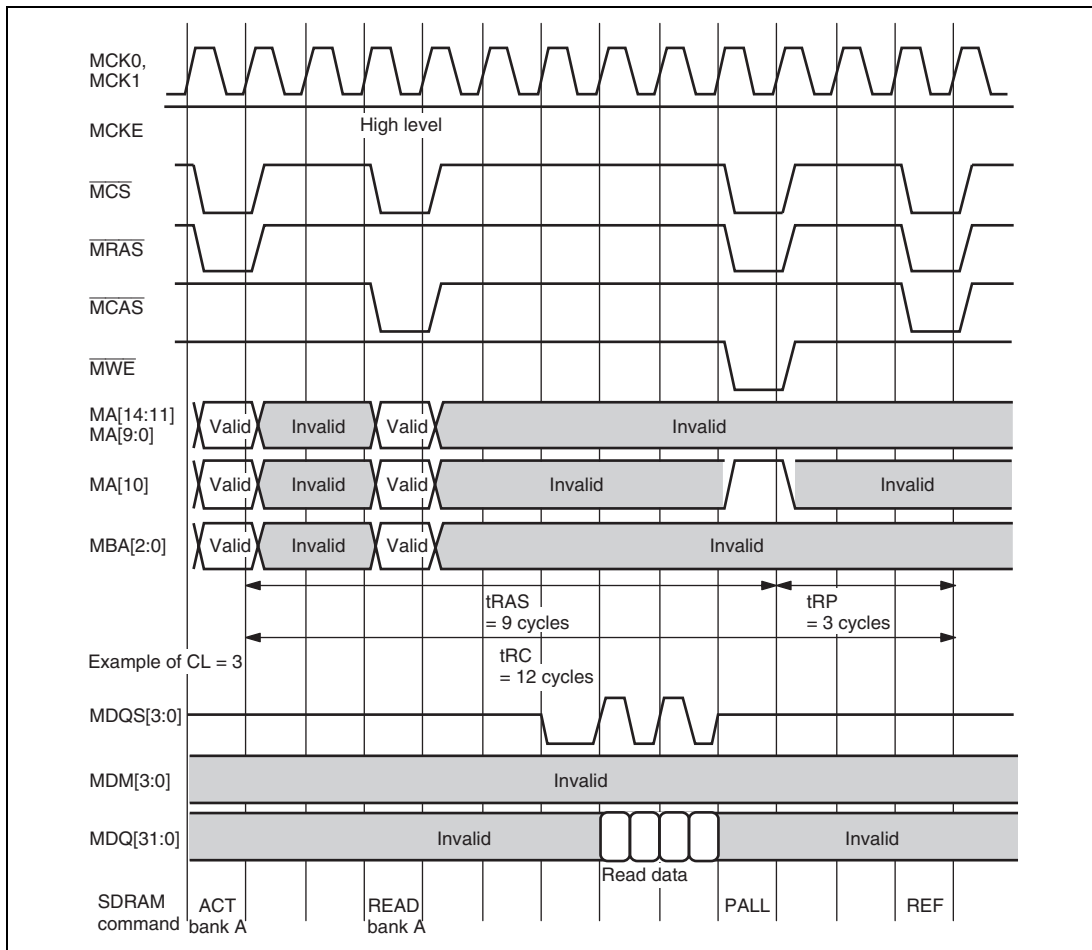


Figure 12.17 tRC

Figure 12.17 shows an example of performing auto-refresh after read access of bank A, the page for which had been closed. After issuing an ACT command and READ command for bank A and performing data reading, a PALL command must be used to close all banks in order to perform auto-refresh. In order to issue the PALL command, the t_{RAS} time constraint must be satisfied, and issuing of the PALL command is delayed until this time. Then, when issuing the REF command, both of time constraints t_{RP} and t_{RC} must be satisfied simultaneously. When these constraints are both satisfied, the REF command is issued and auto-refresh is performed.

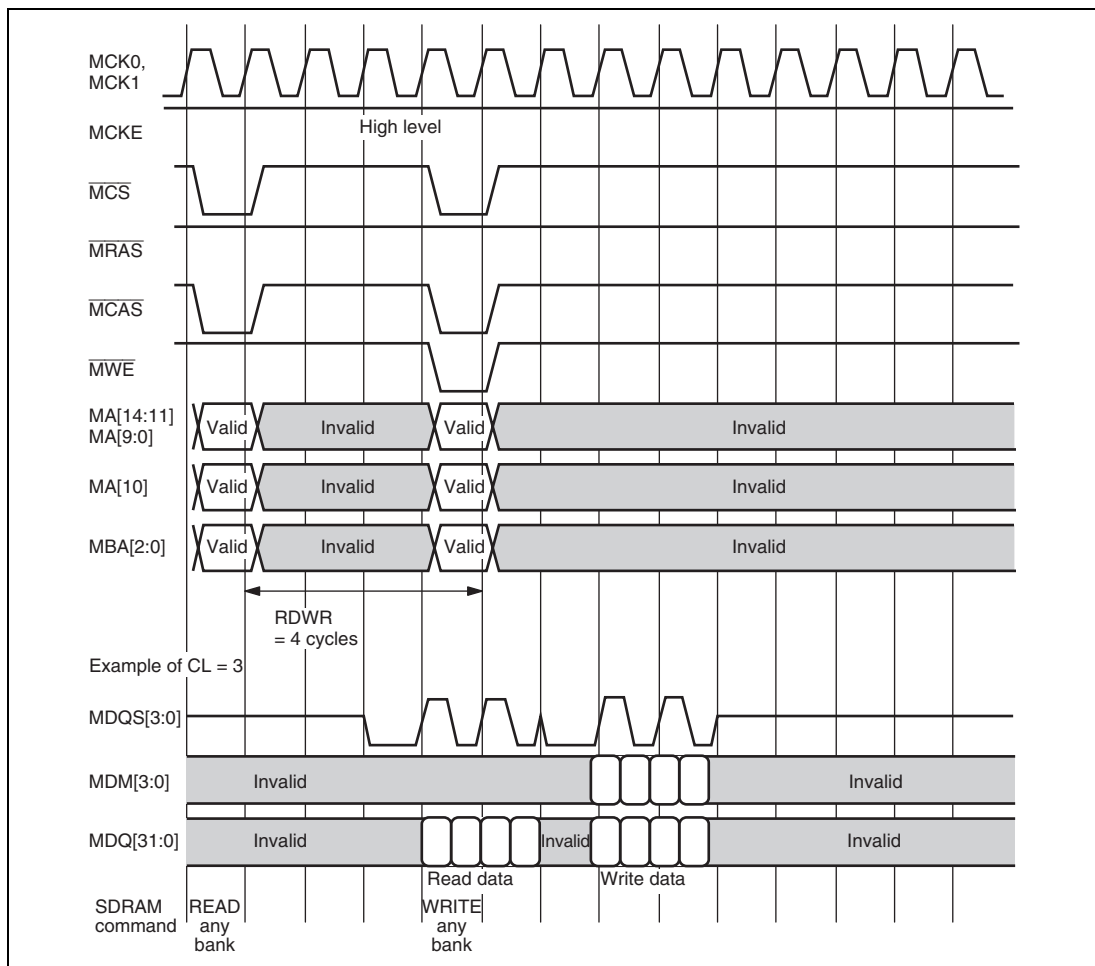


Figure 12.18 READ-WRITE Minimum Time

Figure 12.18 is an example of a case in which, after issuing a READ command, a WRITE command is issued. In order to issue the WRITE command after issuing the READ command, the DBSC2 waits for a minimum time stipulated by the RDWR bits.

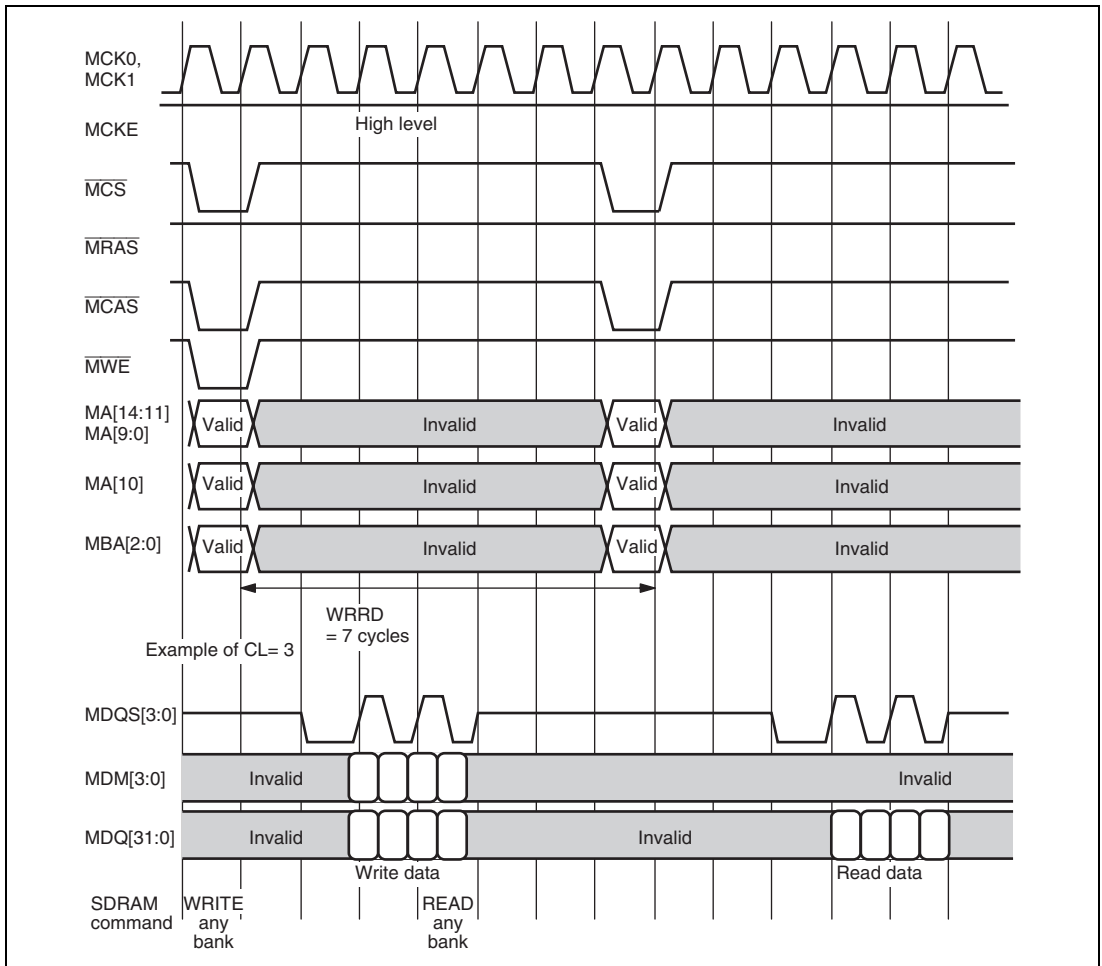


Figure 12.19 WRITE-READ Minimum Time

Figure 12.19 is an example of a case in which, after issuing a WRITE command, a READ command is issued. In order to issue the READ command after issuing the WRITE command, the DBSC2 waits for a minimum time stipulated by the WRRD bits.

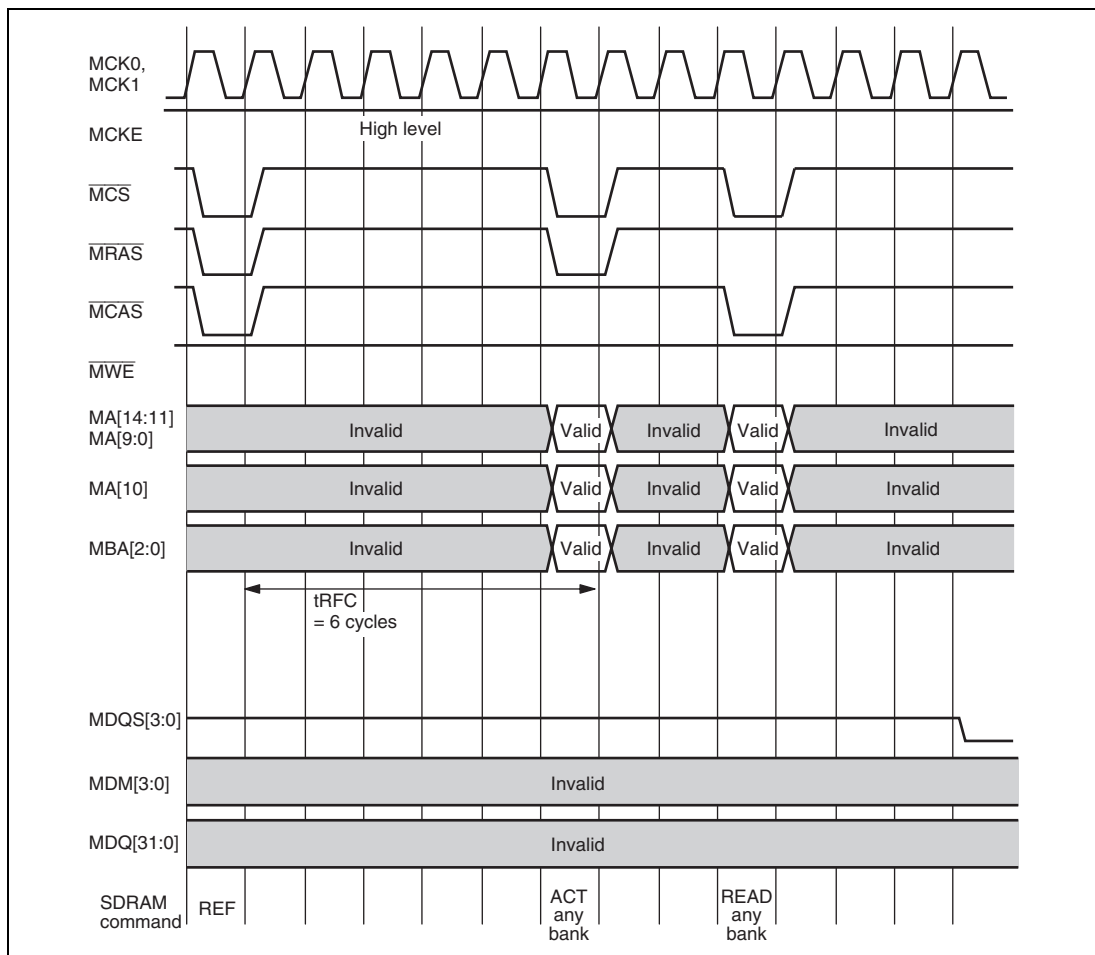


Figure 12.20 t_{RFC}

Figure 12.20 is an example of a case in which, after issuing a REF command, a READ request is issued. In order to issue the ACT command after issuing the REF command, the DBSC2 waits for a time stipulated by t_{RFC} .

12.5.8 Important Information Regarding Use of 8-Bank DDR2-SDRAM Products

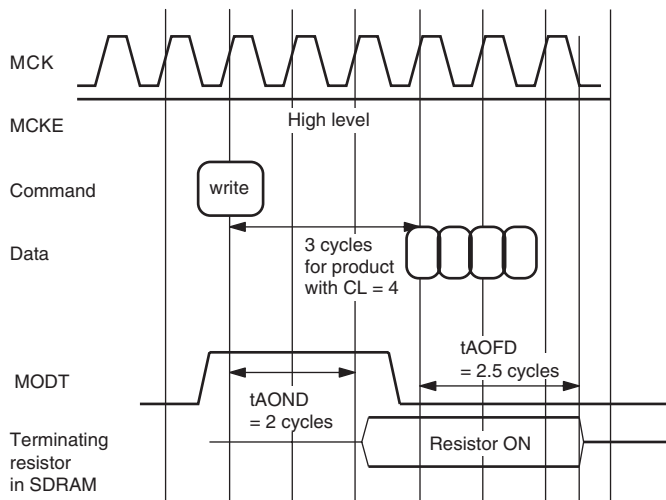
The DDR2-SDRAM specifications limit the number of banks in an 8-bank product which can be activated simultaneously. Control must be executed so that the number of activated banks never exceeds four banks. Hence the DBSC2 handles $(BA2,BA1,BA0) = (1,X,Y)$ and $(0,X,Y)$ as access to the same banks. Through this handling, no more than four banks can be activated simultaneously. As an operation example, consider a case in which the page corresponding to bank $(BA2,BA1,BA0) = (0,0,0)$ is opened, and then access of $(BA2,BA1,BA0) = (1,0,0)$ occurs. After using a PRE command to close the page of the bank corresponding to $(BA2,BA1,BA0) = (0,0,0)$, the DBSC2 issues an ACT command for the bank corresponding to $(BA2,BA1,BA0) = (1,0,0)$ to open the page, and accesses the memory. Because the DBSC2 executes the above control, if a program which is activated simultaneously is placed in an address area such that $(BA2,BA1,BA0) = (1,X,Y)$ and $(0,X,Y)$, frequent page misses may result.

12.5.9 Important Information Regarding ODT Control Signal Output to SDRAM

The following should be noted when having the DBSC2 output an ODT control signal to the SDRAM.

- When an ODT control signal is output to the SDRAM, a CAS latency of at least four DDR clock cycles is necessary (figure 12.21).
- When the ODT control signal is output one DDR clock cycle early using the ODT_EARLY bit in the DBDICODTOCD register and is extended, the CAS latency must be at least five DDR clock cycles, and moreover the setting of the RDWR bits in the DBTR2 register must be equal to the value required by the SDRAM specifications, plus one (figure 12.22)

The DBSC2 supports only the memory for which tAOND is two cycles and tAOFD is 2.5 cycles.



As shown in the above figure, when CL is 4, the effective ODT control signal (MODT) to the SDRAM can be asserted at the same timing as the issue of the WRITE command. If CL is 5 or greater, MODT is asserted after the issue of the WRITE command. However, if CL is 3 or less, MODT needs to be asserted before the issue of the WRITE command, which is not supported by this LSI.

Figure 12.21 ODT Control Signal when CL = 4

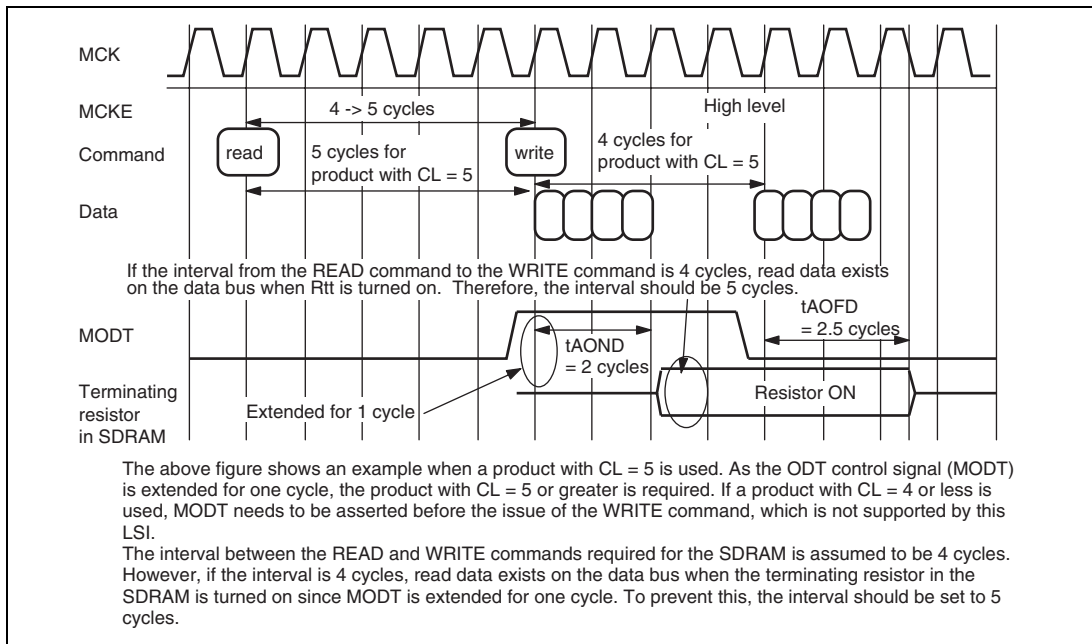


Figure 12.22 Important Information on One-Cycle Extension of ODT Control Signal

12.5.10 DDR2-SDRAM Power Supply Backup Function

The SDRAM power supply backup function utilizes the SDRAM self-refresh state to turn off the power supply to most of the modules including the DBSC2 (all modules except the 1.8 V I/O), while maintaining the data in the SDRAM. By using this function, not only is it possible to cut power consumption, but the time needed to transfer data once again to the SDRAM can be eliminated, since the valid data is maintained within the SDRAM (see figure 12.23). In order to realize this function, in addition to the LSI device containing the DBSC2, a separate external control circuit (microcomputer or similar) is needed to monitor the states of this LSI and the memory.

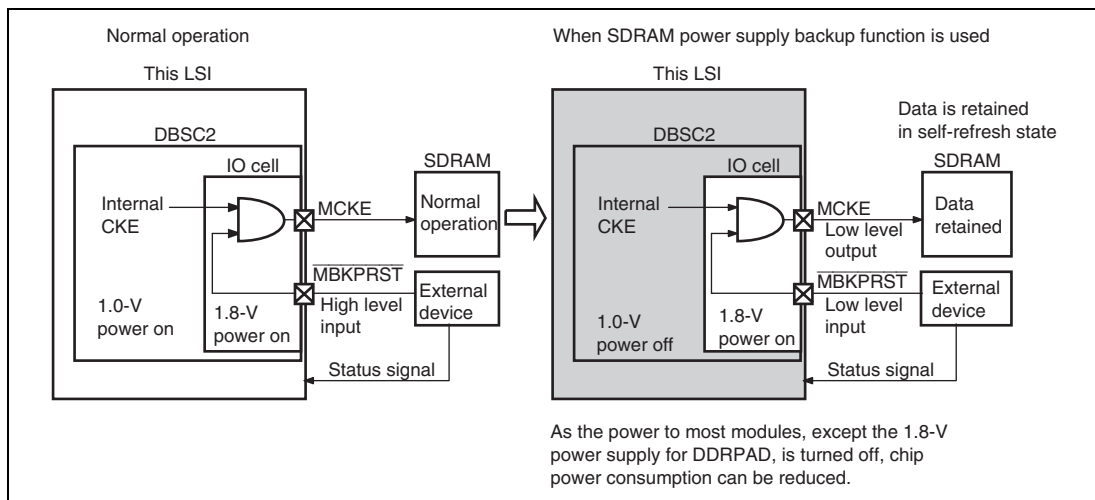


Figure 12.23 SDRAM Power Supply Backup Function

In order to implement the power supply backup function, a control signal $\overline{\text{MBKPRST}}$ is necessary to hold MCKE at low level even when power other than for the 1.8 V I/O is turned off. When this signal is at low level, MCKE pin can be held at low level even when the power supply within the chip is in the turned-off state. After using the DBSC2 to put the SDRAM into the self-refresh state, by using this $\overline{\text{MBKPRST}}$ signal to hold the MCKE signal at low level, the SDRAM self-refresh state can be maintained even when the power supply in the chip is turned off.

To cancel the power supply backup state, perform a power-on reset. As a result, the DBSC2 registers are initialized, and so the self-refresh control circuit is also initialized. In order to put the SDRAM into the self-refresh state before power-on reset, when the internal CKE signal is indefinite, and also during power-on reset, the $\overline{\text{MBKPRST}}$ signal must be held at low level. Power-on reset causes the DBSC2 to fix the internal CKE signal at low level, so that after power-on reset is released the $\overline{\text{MBKPRST}}$ signal is raised to high level. (If not in the power supply backup state, $\overline{\text{MBKPRST}}$ is always at high level and there is no problem.)

Thus the power supply backup state is cancelled through power-on reset, and so the software must decide whether the normal SDRAM initialization sequence is necessary, or whether the LSI was in the power supply backup state. In order to perform this decision, a state signal is input to this LSI from an external control circuit. The method of input is arbitrary, and a general port can be used.

After power-on reset, the software monitors the state signal applied by the external control circuit, and judges whether the state should be the power supply backup state or whether SDRAM initialization is necessary. Before using register settings to send MCKE to high level, the state signal must be made to signify a state other than the power supply backup state. (After driving pin

MCKE to high level, upon power-on reset the data within the SDRAM is destroyed. Hence if the state signal is not set in advance to a state other than power supply backup state, there is the danger that the destroyed data may be treated as the correct data.)

In this way, procedures are used to make a transition to and cancel SDRAM power supply backup mode; if these procedures are not followed, the data in the SDRAM may be destroyed.

These procedures are explained below.

(1) Transition to SDRAM Power Supply Backup Mode

The following method is used.

1. Confirm that the controller is not being accessed. The time required for transition must not exceed the auto-refresh interval requested by the SDRAM by interrupts or some other causes.
2. Set the ACEN bit in the SDRAM operation enable register (DBEN) to 0 (access disabled).
3. Set the ARFEN bit in the SDRAM refresh control register 0 (DBRFCNT0) to 0 (automatic issue of auto-refresh disabled).
4. Use the CMD bits in the SDRAM command control register (DBCMDCNT) to issue a PALL (precharge all banks) command.
5. Use the CMD bits in DBCMDCNT to issue a REF (auto-refresh) command.
6. Set the SRFEN bit in DBRFCNT0 to 1, to make a transition to self-refresh.
7. Check that the SRFEN bit is 1 by reading the SDRAM refresh control register (DBRFCNT0).
8. Use a general-purpose port or other means to convey to the external device that the SDRAM has entered the self-refresh state. Upon receiving this notification, the external device should change the $\overline{\text{MBKPRST}}$ signal from high level to low level.
9. Turn off the unnecessary power, other than the DBSC2 1.8 V I/O.

(2) Recovery from SDRAM Power Supply Backup Mode

The following method is used.

1. Turn on the power supply to the LSI.
2. Input a power-on reset to the LSI.
3. After release of power-on reset, an external device should change the $\overline{\text{MBKPRST}}$ signal from low to high level.
4. An external control circuit decides, using a general-use port or the like, whether to perform a normal initialization sequence of the SDRAM, or to recover from power supply backup mode. For normal initialization sequence of the SDRAM, refer to section 12.5.3, Initialization Sequence.

5. The SDRAM configuration setting register (DBCONF), SDRAM timing register 0 (DBTR0), SDRAM timing register 1 (DBTR1), and SDRAM timing register 2 (DBTR2) should be set.
6. By writing to the DDRPAD frequency setting register DBFREQ, DLL settings are made.
 - A. Set DLLRST = 0.
 - B. Set the FREQ bits to the DDRPAD frequency.
 - C. After setting DLLRST = 1, the software waits for the DLL stabilization time of 100 μ s or more required by DDRPAD.
7. Write to the DDRPAD DIC, ODT, OCD setting register DBDICODTOCD. Values to be written should match values set in SDRAM EMRS(1).
8. Use the CMD bits in the SDRAM command control register (DBCMDCNT) to set the MCKE signal to high level, and have the software wait for the time, requested by the respective memory manufacturers, from cancellation of the self-refresh state until issue of a non-read command (time tXSNR).
9. Write to DBCMDCNT to issue a REF (auto-refresh) command.
10. Set the ACEN bit in the SDRAM operation enable register (DBEN) to 1 (access enabled).
11. Set the SDRAM refresh control registers 1 and 2 (DBRFCNT1 and DBRFCNT2).
12. Set the ARFEN bit in the SDRAM refresh control register 0 (DBRFCNT0) to 1 (automatic issue of auto-refresh enabled). Thereafter, normal access is possible.

12.5.11 Method for Securing Time Required for Initialization, Self-Refresh Cancellation, etc.

When using DBSC2 register settings to set initialization, cancel self-refresh and the like, it is necessary to wait a time stipulated by the SDRAM specifications. One example of this waiting is the method used to read the DBSC2 status register (DBSTATE). Upon executing reading of the DBSC2 status register (DBSTATE), a minimum of 8 cycles of the memory clock elapse. If operation is at 300 MHz, then approximately 26 ns elapses in a single DBSTATE read operation. This can be utilized to secure the required time, by repeating read access the necessary number of times.

12.5.12 Regarding the Supported Clock Ratio

The only clock ratio supported by the DBSC2 is a ratio of 1:1 between the SuperHyway clock and the DDR clock. Clock ratios other than 1:1 are not supported.

12.5.13 Regarding MCKE Signal Operation

The MCKE signal operation is explained using figure 12.24. Here, the explanation assumes that $\overline{\text{MBKPRST}}$ is high-level input. Prior to power-on reset the MCKE signal is indefinite, but upon power-on reset is output at low level. After release of power-on reset, by writing 011 to the CMD bits in the SDRAM command control register (DBCMDCNT), the MCKE signal output is at high level, corresponding to the enable state. Once the MCKE signal is output at a high level in this way, the DBSC2 does not output a low-level MCKE signal except when causing a transition to self-refresh state. (Once the CMD bits in DBCMDCNT are set to 011, no matter what value is subsequently written to CMD, the MCKE signal is never output at low level.) After the transition to self-refresh state, when 0 is written to SRFEN in DBRFCNT0 to release the self-refresh state, the MCKE signal output returns to high level.

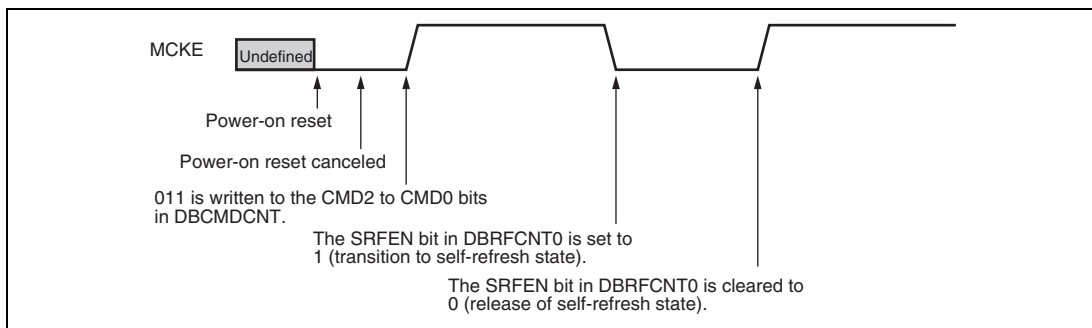


Figure 12.24 MCKE Signal Operation

Section 13 PCI Controller (PCIC)

The PCI controller (PCIC) controls the PCI bus and enables data transfers between memory connected to an external bus and a PCI device connected to the PCI bus. The PCIC facilitates the system design using the PCI bus and enables short and fast data transfer.

The PCIC operates as a bus bridge which links the PCI bus to the internal bus (SuperHyway bus). It has transfer channels, for example, between a PCI device on the PCI bus and memory that is connected to the external bus.

The PCIC supports both the host mode and normal mode (non-host mode). In host mode, arbitration can be performed on the PCI bus. In normal mode, the PCI bus arbitration is performed by the external PCI bus arbiter.

13.1 Features

The PCIC has the following features.

- Conforms to the subset of the PCI Local Bus Specification Revision 2.2
- Operates at 33 or 66 MHz
- 32-bit data bus
- PCI master and target functions
- Conforms to the subset of the PCI Power Management Revision 1.1
- Supports the host mode and normal mode
- PCI arbiter (in host mode)
- Supports four external masters
- Pseudo-round-robin or fixed priority arbitration
- Supports external bus arbiter mode
- Supports configuration mechanism #1 (in host mode)
- Supports burst transfer
- Parity check and error report
- Exclusive access (only when PCIC is a target)

Exclusive access between the internal module and the external PCI master is not supported.

— The PCIC is a master: Not supported

— The PCIC is a target: When the PCIC is locked, it can be accessed through only the PCI device that has asserted the \overline{LOCK} signal (the SuperHyway bus is not locked during lock transfer).

- Cache snoop functions are supported when the PCIC is a target (cache coherency can be supported by sacrificing performance).
- Supports four external interrupt inputs ($\overline{\text{INTA}}$, $\overline{\text{INTB}}$, $\overline{\text{INTC}}$, and $\overline{\text{INTD}}$) in host mode
- Supports one external interrupt output ($\overline{\text{INTA}}$) in normal mode
- Both big endian and little endian are supported in SH7785 (the PCI bus operates in little endian mode).

Note: The following PCI functions are not supported.

- Supports cache (without the $\overline{\text{SBO}}$ and $\overline{\text{SDONE}}$ pins)
- Address wraparound mechanism
- PCI JTAG (this LSI supports JTAG)
- Dual address cycles
- Interrupt acknowledge cycles
- Start of fast back-to-back transfer (it is supported when the PCIC operates as a target device)
- Extended ROM for initialization, and boot of system

Figure 13.1 shows a block diagram of the PCIC.

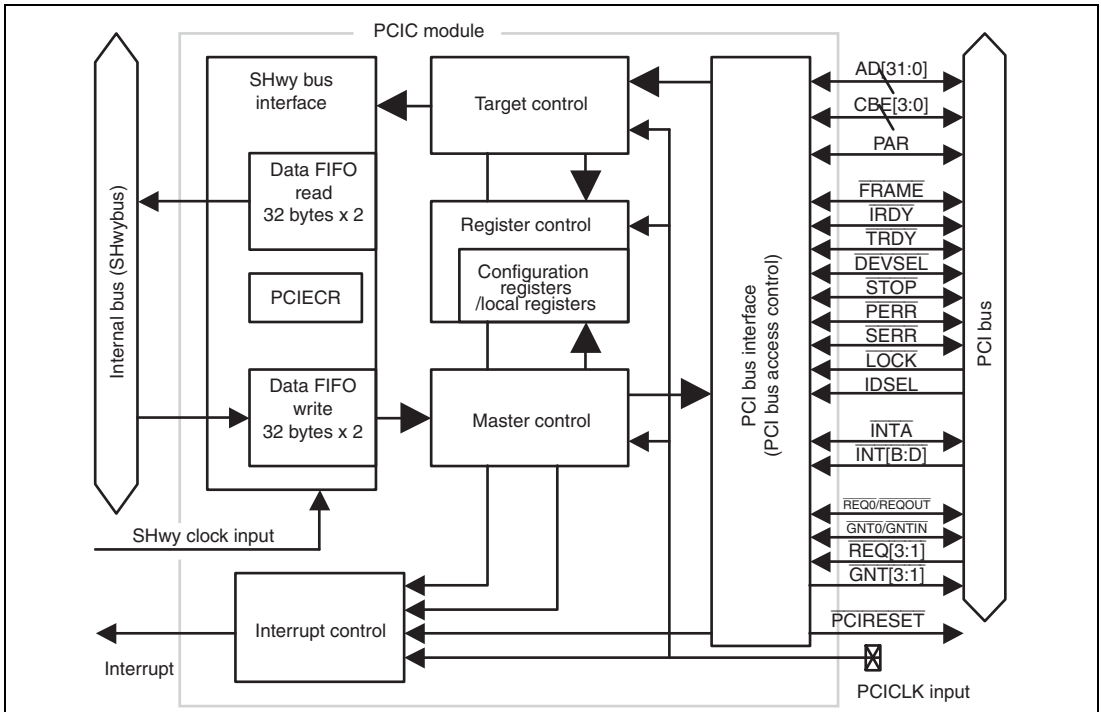


Figure 13.1 Block Diagram of PCIC

The PCIC comprises two blocks, the PCI bus interface block and SuperHyway bus interface block.

The PCI bus interface block comprises the PCI configuration register, local register, PCI master controller, and PCI target controller.

The SuperHyway bus interface converts the access from the PCI bus interface into the access to the SuperHyway bus, and converts the access from the SuperHyway bus (the CPU or DMAC) into access to the PCI bus interface block. The SuperHyway bus interface block comprises PCIECR, the access control block from the SuperHyway bus to the PCI bus, and the access control block from the PCI bus to the SuperHyway bus.

The interrupt controller controls the issue of interrupts to INTC of this LSI.

13.2 Input/Output Pins

Table 13.1 shows the pin configuration of the PCIC.

Table 13.1 Signal Descriptions

Signal Name	PCI Standard Signal	I/O	Description
D32/AD0/DR0 to D37/AD5/DR5, D38/AD6/DG0 to D43/AD11/DG5, D44/AD12/DB0 to D49/AD17/DB5, D50/AD18 to D63/AD31	AD[31:0]	TRI	PCI Address/Data Bus Address and data buses are multiplexed. In each bus transaction, an address phase is followed by one or more data phases.
$\overline{\text{WE7/CBE3}}$ to $\overline{\text{WE4/CBE0}}$	$\overline{\text{C/BE[3:0]}}$	TRI	PCI Command/Byte Enable Commands and byte enable are multiplexed. These signals indicate the type of command and byte enable during the address phase and the data phases respectively.
PAR	PAR	TRI	PCI Parity Generates/checks even parity between AD[31:0] to C/BE[3:0].
PCICLK/ DCLKIN	CLK	IN	PCI Clock Provides timing for all transactions on the PCI bus.
$\overline{\text{PCIFRAME/VS}}\overline{\text{SYNC}}$	$\overline{\text{FRAME}}$	STRI	PCI Frame Driven by the current initiator, and indicates the start and duration of a transaction.
$\overline{\text{TRDY/DISP}}$	$\overline{\text{TRDY}}$	STRI	PCI Target Ready Driven by the selected target, and indicates the target is ready to start and maintain a transaction.
$\overline{\text{IRDY/HS}}\overline{\text{SYNC}}$	$\overline{\text{IRDY}}$	STRI	PCI Initiator Ready Driven by the current bus master. During writing, indicates that valid data is present on the AD [31:0] lines. During reading, indicates that the master is ready to accept data.
$\overline{\text{STOP/CDE}}$	$\overline{\text{STOP}}$	STRI	PCI Stop Driven by the selected target drives to stop the current transaction.

Signal Name	PCI Standard Signal	I/O	Description
$\overline{\text{LOCK}}/\text{ODDF}$	$\overline{\text{LOCK}}$	STRI	PCI Lock Exclusive access (the target resource is locked) is accepted when the PCIC is a target
IDSEL	IDSEL	IN	PCI Configuration Device Select This signal is input to select the PCIC in configuration cycles (only in normal mode).
$\overline{\text{DEVSEL}}/\text{DCLKOUT}$	$\overline{\text{DEVSEL}}$	STRI	PCI Device Select Indicates the PCIC has decoded the address of the PCI device as the target. When this signal is an input signal, it indicates that the PCIC has been selected.
$\overline{\text{SCIF0_CTS}}/\text{INTD}$	$\overline{\text{INTD}}$	IN	Interrupt D Indicates that a PCI device is requesting PCI interrupts. Only in host mode.
$\overline{\text{DREQ3}}/\text{INTC}$	$\overline{\text{INTC}}$	IN	Interrupt C Indicates that a PCI device is requesting PCI interrupts. Only in host mode.
$\overline{\text{DREQ2}}/\text{INTB}$	$\overline{\text{INTB}}$	IN	Interrupt B Indicates that a PCI device is requesting PCI interrupts. Only in host mode.
$\overline{\text{INTA}}$	$\overline{\text{INTA}}$	O/D	Interrupt A Indicates that a PCI device is requesting PCI interrupts in host mode. This signal is output so that the PCIC can request interrupts in normal mode.
REQ3	$\overline{\text{REQ3}}$	IN	PCI Bus Request (only in host mode)
$\overline{\text{REQ2 to REQ1}}$	$\overline{\text{REQ[2:1]}}$	IN	PCI Bus Request (only in host mode)
$\overline{\text{GNT3}}$	$\overline{\text{GNT3}}$	TRI	PCI Bus Grant (only in host mode)
$\overline{\text{GNT2 to GNT1}}$	$\overline{\text{GNT[2:1]}}$	TRI	PCI Bus Grant (only in host mode)
$\overline{\text{REQ0}}/\text{REQOUT}$	REQ0	TRI	PCI Bus Request (input/output in host mode, and output in normal mode)
$\overline{\text{GNT0}}/\text{GNTIN}$	$\overline{\text{GNT0}}$	TRI	PCI Bus Grant (output/input in host mode, and input in normal mode)
$\overline{\text{SERR}}$	$\overline{\text{SERR}}$	O/D	PCI System Error
$\overline{\text{PERR}}$	$\overline{\text{PERR}}$	TRI	PCI Parity Error
$\overline{\text{PCIRESET}}$	—	OUT	PCI Reset Output

Signal Name	PCI Standard Signal	I/O	Description
MODE12	—	IN	PCI Operating Mode Select
MODE11			00: PCI host mode, or PCI host bridge operation by PCICLK 01: PCI normal mode, or non-PCI host bridge operation by PCICLK 10: Local bus 64-bit mode (the PCI disabled) 11: DU mode (the PCI disabled)

Legend:

TRI: Tri-state
STRI: Sustained tri-state
OD: Open Drain
IN: Only input
OUT: Only output

13.3 Register Descriptions

Table 13.2 shows a list of PCIC registers. The addresses and offsets of PCI configuration registers are the values used when the PCIC is in little endian mode. The access size is the maximum access size in each register. The registers in the PCI configuration register space can be accessed with 32-, 16-, or 8-bit access sizes.

Table 13.2 List of PCIC Registers

Name	Abbreviation	SH* ¹	PCI* ²	P4 address	Area 7 address	Sync Clock	Access Size* ³
		R/W	R/W				
Control register space (physical address: H'FE04 0000 to H'FE04 00FF)							
PCIC enable control register	PCIECR	R/W	—	H'FE00 0008	H'1E00 0008	SHck	32
PCI control register space (physical address: H'FE04 0000 to H'FE04 00FF)							
PCI vendor ID register	PCIVID	R	R	H'FE04 0000	H'1E04 0000	PCclk	(32)/16/8
PCI device ID register	PCIDID	R	R	H'FE04 0002	H'1E04 0002	PCclk	(32)/16/8
PCI command register	PCICMD	R/W	R/W	H'FE04 0004	H'1E04 0004	PCclk	(32)/16/8
PCI status register	PCISTATUS	R/W	R/W	H'FE04 0006	H'1E04 0006	PCclk	(32)/16/8
PCI revision ID register	PCIRID	R	R	H'FE04 0008	H'1E04 0008	PCclk	(32)/(16)/8
PCI program interface register	PCIPIF	R/W	R	H'FE04 0009	H'1E04 0009	PCclk	(32)/(16)/8
PCI sub class code register	PCISUB	R/W	R	H'FE04 000A	H'1E04 000A	PCclk	(32)/(16)/8
PCI base class code register	PCIBCC	R/W	R	H'FE04 000B	H'1E04 000B	PCclk	(32)/(16)/8
PCI cache line size register	PCICLS	R	R	H'FE04 000C	H'1E04 000C	PCclk	(32)/(16)/8
PCI latency timer register	PCILTMT	R/W	R/W	H'FE04 000D	H'1E04 000D	PCclk	(32)/(16)/8
PCI header type register	PCIHDR	R	R	H'FE04 000E	H'1E04 000E	PCclk	(32)/(16)/8
PCI BIST register	PCIBIST	R	R	H'FE04 000F	H'1E04 000F	PCclk	(32)/(16)/8
PCI I/O base address register	PCIIBAR	R/W	R/W	H'FE04 0010	H'1E04 0010	PCclk	32/16/8
PCI Memory base address register 0	PCIMBAR0	R/W	R/W	H'FE04 0014	H'1E04 0014	PCclk	32/16/8
PCI Memory base address register 1	PCIMBAR1	R/W	R/W	H'FE04 0018	H'1E04 0018	PCclk	32/16/8
PCI subsystem vendor ID register	PCISVID	R/W	R	H'FE04 002C	H'1E04 002C	PCclk	(32)/16/8
PCI subsystem ID register	PCISID	R/W	R	H'FE04 002E	H'1E04 002E	PCclk	(32)/16/8
PCI capabilities pointer register	PCICP	R	R	H'FE04 0034	H'1E04 0034	PCclk	(32)/(16)/8

13. PCI Controller (PCIC)

Name	Abbreviation	SH* ¹	PCI* ²	P4 address	Area 7 address	Sync Clock	Access Size* ³
		R/W	R/W				
PCI interrupt line register	PCIINTLINE	R/W	R/W	H'FE04 003C	H'1E04 003C	PClck	(32)/(16)/8
PCI interrupt pin register	PCIINTPIN	R/W	R	H'FE04 003D	H'1E04 003D	PClck	(32)/(16)/8
PCI minimum grant register	PCIMINGNT	R	R	H'FE04 003E	H'1E04 003E	PClck	(32)/(16)/8
PCI maximum latency register	PCIMAXLAT	R	R	H'FE04 003F	H'1E04 003F	PClck	(32)/(16)/8
PCI capability ID register	PCICID	R	R	H'FE04 0040	H'1E04 0040	PClck	(32)/(16)/8
PCI next item pointer register	PCINIP	R	R	H'FE04 0041	H'1E04 0041	PClck	(32)/(16)/8
PCI power management capability register	PCIPMC	R/W	R/W	H'FE04 0042	H'1E04 0042	PClck	(32)/16/8
PCI power management control/status register	PCIPMCSR	R/W	R/W	H'FE04 0044	H'1E04 0044	PClck	(32)/16/8
PCI PMCSR bridge support extension register	PCIPMCSR_BSE	R/W	R	H'FE04 0046	H'1E04 0046	PClck	(32)/(16)/8
PCI power consumption/dissipation data register	PCIPCDD	R/W	R	H'FE04 0047	H'1E04 0047	PClck	(32)/(16)/8
PCI local register space (physical address: H'FE04 0100 to H'FE04 03FF)							
PCI control register	PCICR	R/W	R	H'FE04 0100	H'1E04 0100	PClck	32/16/8
PCI local space register 0	PCILSR0	R/W	R	H'FE04 0104	H'1E04 0104	PClck	32/16/8
PCI local space register 1	PCILSR1	R/W	R	H'FE04 0108	H'1E04 0108	PClck	32/16/8
PCI local address register 0	PCILAR0	R/W	R	H'FE04 010C	H'1E04 010C	PClck	32/16/8
PCI local address register 1	PCILAR1	R/W	R	H'FE04 0110	H'1E04 0110	PClck	32/16/8
PCI interrupt register	PCIIR	R/WC	R	H'FE04 0114	H'1E04 0114	PClck	32/16/8
PCI interrupt mask register	PCIIMR	R/W	R	H'FE04 0118	H'1E04 0118	PClck	32/16/8
PCI error address information register	PCIAIR	R	R	H'FE04 011C	H'1E04 011C	PClck	32/16/8
PCI error command information register	PCICIR	R	R	H'FE04 0120	H'1E04 0120	PClck	32/16/8
PCI arbiter interrupt register	PCIAINT	R/WC	R	H'FE04 0130	H'1E04 0130	PClck	32/16/8
PCI arbiter interrupt mask register	PCIAINTM	R/WC	R	H'FE04 0134	H'1E04 0134	PClck	32/16/8
PCI arbiter bus master error information register	PCIBMIR	R	R	H'FE04 0138	H'1E04 0138	PClck	32/16/8
PCI PIO address register	PCIPAR	R/W	—	H'FE04 01C0	H'1E04 01C0	PClck	32/16/8

Name	Abbreviation	SH* ¹	PCI* ²	P4 address	Area 7 address	Sync	Access
		R/W	R/W			Clock	Size* ³
PCI power management interrupt register	PCIPINT	R/WC	—	H'FE04 01CC	H'1E04 01CC	PCclk	32/16/8
PCI power management interrupt mask register	PCIPINTM	R/W	—	H'FE04 01D0	H'1E04 01D0	PCclk	32/16/8
PCI memory bank register 0	PCIMBR0	R/W	—	H'FE04 01E0	H'1E04 01E0	PCclk	32/16/8
PCI memory bank mask register 0	PCIMBMR0	R/W	—	H'FE04 01E4	H'1E04 01E4	PCclk	32/16/8
PCI memory bank register 1	PCIMBR1	R/W	—	H'FE04 01E8	H'1E04 01E8	PCclk	32/16/8
PCI memory bank mask register 1	PCIMBMR1	R/W	—	H'FE04 01EC	H'1E04 01EC	PCclk	32/16/8
PCI memory bank register 2	PCIMBR2	R/W	—	H'FE04 01F0	H'1E04 01F0	PCclk	32/16/8
PCI memory bank mask register 2	PCIMBMR2	R/W	—	H'FE04 01F4	H'1E04 01F4	PCclk	32/16/8
PCI I/O bank register	PCIOBR	R/W	—	H'FE04 01F8	H'1E04 01F8	PCclk	32/16/8
PCI I/O bank master register	PCIOBMR	R/W	—	H'FE04 01FC	H'1E04 01FC	PCclk	32/16/8
PCI cache snoop control register 0	PCICSCR0	R/W	—	H'FE04 0210	H'1E04 0210	PCclk	32/16/8
PCI cache snoop control register 1	PCICSCR1	R/W	—	H'FE04 0214	H'1E04 0214	PCclk	32/16/8
PCI cache snoop address register 0	PCICSAR0	R/W	—	H'FE04 0218	H'1E04 0218	PCclk	32/16/8
PCI cache snoop address register 1	PCICSAR1	R/W	—	H'FE04 021C	H'1E04 021C	PCclk	32/16/8
PCI PIO data register	PCIPDR	R/W	—	H'FE04 0220	H'1E04 0220	PCclk	32/16/8

Notes: 1. SH: SuperHyway bus (internal bus)

PCI: PCI local bus

WC in R/W column: Write clear (Cleared by writing 1; writing 0 has no effect.)

—: Access is prohibited.

2. PIO: Programmed I/O.

3. It is possible to access multiple registers at once by using an access size exceeding the register size.

Table 13.3 Register States in Each Processing Mode

Name	Abbreviation	Power-On Reset	Manual Reset	Sleep Mode
Control register space (physical address: H'FE00 0000 to H'FE03 FFFF)				
PCIC enable control register	PCIECR	H'0000 0000	Retained	Retained
PCI configuration register space (physical address: H'FE04 0000 to H'FE04 00FF)				
PCI vendor ID register	PCIVID	H'1912	Retained	Retained
PCI device ID register	PCIDID	H'0007	Retained	Retained
PCI command register	PCICMD	H'0080	Retained	Retained
PCI status register	PCISTATUS	H'0290	Retained	Retained
PCI revision ID register	PCIRID	H'xx	Retained	Retained
PCI program interface register	PCIPIF	H'00	Retained	Retained
PCI sub class code register	PCISUB	H'00	Retained	Retained
PCI base class code register	PCIBCC	H'xx	Retained	Retained
PCI cache line size register	PCICLS	H'20	Retained	Retained
PCI latency timer register	PCILTM	H'00	Retained	Retained
PCI header type register	PCIHDR	H'00	Retained	Retained
PCI BIST register	PCIBIST	H'00	Retained	Retained
PCI I/O base address register	PCIBAR	H'0000 0001	Retained	Retained
PCI Memory base address register 0	PCIMBAR0	H'0000 0000	Retained	Retained
PCI Memory base address register 1	PCIMBAR1	H'0000 0000	Retained	Retained
PCI subsystem vendor ID register	PCISVID	H'0000	Retained	Retained
PCI subsystem ID register	PCISID	H'0000	Retained	Retained
PCI capabilities pointer register	PCICP	H'40	Retained	Retained
PCI interrupt line register	PCIINTLINE	H'00	Retained	Retained
PCI interrupt pin register	PCIINTPIN	H'01	Retained	Retained
PCI minimum grant register	PCIMINGNT	H'00	Retained	Retained
PCI maximum latency register	PCIMAXLAT	H'00	Retained	Retained
PCI capability ID register	PCICID	H'01	Retained	Retained
PCI next item pointer register	PCINIP	H'00	Retained	Retained
PCI power management capability register	PCIPMC	H'000A	Retained	Retained
PCI power management control/status register	PCIPMCSR	H'0000	Retained	Retained
PCI PMCSR bridge support extension register	PCIPMCSR_ BSE	H'00	Retained	Retained

Name	Abbreviation	Power-On Reset	Manual Reset	Sleep Mode
PCI power consumption/dissipation data register	PCIPCDD	H'00	Retained	Retained
PCI local register space (physical address: H'FE04 0100 to H'FE04 03FF)				
PCI control register	PCICR	H'0000 00xx	Retained	Retained
PCI local space register 0	PCILSR0	H'0000 0000	Retained	Retained
PCI local space register 1	PCILSR1	H'0000 0000	Retained	Retained
PCI local address register 0	PCILAR0	H'0000 0000	Retained	Retained
PCI local address register 1	PCILAR1	H'0000 0000	Retained	Retained
PCI interrupt register	PCIIR	H'0000 0000	Retained	Retained
PCI interrupt mask register	PCIIMR	H'0000 0000	Retained	Retained
PCI error address information register	PCIAIR	H'xxxx xxxx	Retained	Retained
PCI error command information register	PCICIR	H'xx00 000x	Retained	Retained
PCI arbiter interrupt register	PCIAINT	H'0000 0000	Retained	Retained
PCI arbiter interrupt mask register	PCIAINTM	H'0000 0000	Retained	Retained
PCI arbiter bus master error information register	PCIBMIR	H'0000 00xx	Retained	Retained
PCI PIO address register	PCIPAR	H'80xx xxxx	Retained	Retained
PCI power management interrupt register	PCIPINT	H'0000 0000	Retained	Retained
PCI power management interrupt mask register	PCIPINTM	H'0000 0000	Retained	Retained
PCI memory bank register 0	PCIMBR0	H'0000 0000	Retained	Retained
PCI memory bank mask register 0	PCIMBMR0	H'0000 0000	Retained	Retained
PCI memory bank register 1	PCIMBR1	H'0000 0000	Retained	Retained
PCI memory bank mask register 1	PCIMBMR1	H'0000 0000	Retained	Retained
PCI memory bank register 2	PCIMBR2	H'0000 0000	Retained	Retained
PCI memory bank mask register 2	PCIMBMR2	H'0000 0000	Retained	Retained
PCI I/O bank register	PCIOBR	H'0000 0000	Retained	Retained
PCI I/O bank master register	PCIOBMR	H'0000 0000	Retained	Retained
PCI cache snoop control register 0	PCICSCR0	H'0000 0000	Retained	Retained
PCI cache snoop control register 1	PCICSCR1	H'0000 0000	Retained	Retained
PCI cache snoop address register 0	PCICSAR0	H'0000 0000	Retained	Retained
PCI cache snoop address register 1	PCICSAR1	H'0000 0000	Retained	Retained
PCI PIO data register	PCIPDR	H'xxxx xxxx	Retained	Retained

13.3.1 PCIC Enable Control Register (PCIECR)

PCIECR is a register that specifies whether the PCIC is valid or invalid.

Bit:	31	30	29	28	27	26	25	24	23	22	21	20	19	18	17	16
	—	—	—	—	—	—	—	—	—	—	—	—	—	—	—	—
Initial value:	0	0	0	0	0	0	0	0	0	0	0	0	0	0	0	0
SH R/W:	R	R	R	R	R	R	R	R	R	R	R	R	R	R	R	R
PCI R/W:	—	—	—	—	—	—	—	—	—	—	—	—	—	—	—	—
Bit:	15	14	13	12	11	10	9	8	7	6	5	4	3	2	1	0
	—	—	—	—	—	—	—	—	—	—	—	—	—	—	—	ENBL
Initial value:	0	0	0	0	0	0	0	0	0	0	0	0	0	0	0	0
SH R/W:	R	R	R	R	R	R	R	R	R	R	R	R	R	R	R	R/W
PCI R/W:	—	—	—	—	—	—	—	—	—	—	—	—	—	—	—	—

Bit	Bit Name	Initial Value	R/W	Description
31 to 1	—	All 0	SH: R PCI: —	Reserved These bits are always read as 0. The write value should always be 0.
0	ENBL	0	SH: R/W PCI: —	PCI Enable Bit. Enables (validates) the PCIC. When this bit is 0, the PCIC is disabled and the access from the CPU to the PCIC, or from the external PCI device to the PCIC is invalid (the PCIECR can be accessed). The access from other CPU is invalid during writing and undefined during reading. The access from the external PCI device cannot be accepted). 0: PCIC disabled 1: PCIC enabled

13.3.2 Configuration Registers

The configuration registers define the programming model and usage rules of the configuration register space in a PCI compliant device. For details, see section 6, Configuration Space, in the PCI Local Bus Specification Revision 2.2.

(1) PCI Vendor ID Register (PCIVID)

This field defines the PCI vendor ID.

Bit:	15	14	13	12	11	10	9	8	7	6	5	4	3	2	1	0
	VID															
Initial value:	0	0	0	1	1	0	0	1	0	0	0	1	0	0	1	0
SH R/W:	R	R	R	R	R	R	R	R	R	R	R	R	R	R	R	R
PCI R/W:	R	R	R	R	R	R	R	R	R	R	R	R	R	R	R	R

Bit	Bit Name	Initial Value	R/W	Description
15 to 0	VID	H'1912	SH: R PCI: R	PCI Vendor ID These bits indicate the vendor ID that is allocated by PCI-SIG. Renesas Technology's vendor ID is H'1912.

(2) PCI Device ID Register (PCIDID)

This field defines the PCI device ID.

Bit:	15	14	13	12	11	10	9	8	7	6	5	4	3	2	1	0
	DID															
Initial value:	0	0	0	0	0	0	0	0	0	0	0	0	0	1	1	1
SH R/W:	R	R	R	R	R	R	R	R	R	R	R	R	R	R	R	R
PCI R/W:	R	R	R	R	R	R	R	R	R	R	R	R	R	R	R	R

Bit	Bit Name	Initial Value	R/W	Description
15 to 0	DID	H'0007	SH: R PCI: R	PCI Device ID These bits indicate the device ID of this LSI that is allocated by the vendor of a PCI device. SH7785's device ID is H'0007.

(3) PCI Command Register (PCICMD)

PCICMD controls the basic functions of the PCIC to generate and respond to PCI cycles. When 0 is written to this register, this register ignores access commands from the external PCI device, other than configuration access.

Bit:	15	14	13	12	11	10	9	8	7	6	5	4	3	2	1	0
	—	—	—	—	—	—	FBBE	SERRE	WCC	PER	VGAPS	MWIE	SC	BM	MS	IOS
Initial value:	0	0	0	0	0	0	0	0	1	0	0	0	0	0	0	0
SH R/W:	R	R	R	R	R	R	R	R/W	R/W	R/W	R	R	R	R/W	R/W	R/W
PCI R/W:	R	R	R	R	R	R	R	R/W	R/W	R/W	R	R	R	R/W	R/W	R/W

Bit	Bit Name	Initial Value	R/W	Description
15 to 10	—	All 0	SH: R PCI: R	Reserved These bits are always read as 0. The write value should always be 0.
9	FBBE	0	SH: R PCI: R	PCI Fast Back-to-Back Enable Specifies whether fast back-to-back control is performed on the different devices or not when the PCIC is a master. 0: Enables fast back-to-back control for the same target 1: Enables fast back-to-back control for different targets (not supported)
8	SERRE	0	SH: R/W PCI: R/W	\overline{SERR} Output Control Controls the \overline{SERR} output. 0: \overline{SERR} output disabled (pulled up by high impedance and a pull-up resistor) 1: \overline{SERR} output enabled (\overline{SERR} = low output)
7	WCC	1	SH: R/W PCI: R/W	Wait Cycle Control Controls the address/data stepping. When WCC is 1, both an address and data, only an address, and only data are output at master write, master read, and target read respectively for two clock cycles. 0: Address/data stepping control disabled 1: Address/data stepping control enabled

Bit	Bit Name	Initial Value	R/W	Description
6	PER	0	SH: R/W PCI: R/W	Parity Error Response Controls the response of the device when the PCIC detects a parity error or receives a parity error. When this bit is set to 1, the PERR signal is asserted. 0: Ignores parity error 1: Responds to parity error
5	VGAPS	0	SH: R PCI: R	VGA Palette Snoop Control 0: VGA compatible device 1: Incompatible with palette register write (not supported)
4	MWIE	0	SH: R PCI: R	Memory Write and Invalidate Control This bit controls issue of a memory and invalidate command when the PCIC is a master. 0: Memory write is used 1: Memory write and invalidate command can be executed (not supported)
3	SC	0	SH: R PCI: R	Special Cycle Control This bit indicates whether special cycles are supported when the PCIC is a target. 0: Special cycles ignored 1: Special cycles monitored (not supported)
2	BM	0	SH: R/W PCI: R/W	PCI Bus Master Control Controls a bus master. 0: Bus master disabled 1: Bus master enabled
1	MS	0	SH: R/W PCI: R/W	PCI Memory Space Control This bit controls accesses to memory spaces when the PCIC is a target. When this bit is cleared to 0, a memory transfer to the PCIC is completed by master abort. 0: Accesses to memory spaces disabled 1: Accesses to memory spaces enabled
0	IOS	0	SH: R/W PCI: R/W	PCI I/O Space Control This bit controls accesses to memory spaces when the PCIC is a target. When this bit is cleared to 0, an I/O transfer to the PCIC is completed by master abort. 0: Accesses to I/O spaces disabled 1: Accesses to I/O spaces enabled

(4) PCI Status Register (PCISTATUS)

PCISTATUS is used to record status information for events related to the PCI bus. The reserved bits are read-only bits that are read as 0.

Reading from this register is normally performed. During writing, the write clear bit can be reset, but it cannot be set (R/WC in the figure below). Write 1 to the bit to be cleared. For example, to clear bit 14 so that other bits will not be affected, write the B'0100 0000 0000 0000 to this register.

Bit:	15	14	13	12	11	10	9	8	7	6	5	4	3	2	1	0
	DPE	SSE	RMA	RTA	STA	DEVSEL	MDPE	FBBC	—	66C	CL	—	—	—	—	—
Initial value:	0	0	0	0	0	0	1	0	1	0	0	1	0	0	0	0
SH R/W:	R/WC	R/WC	R/WC	R/WC	R/WC	R	R	R/WC	R	R	R/W	R	R	R	R	R
PCI R/W:	R/WC	R/WC	R/WC	R/WC	R/WC	R	R	R/WC	R	R	R	R	R	R	R	R

Bit	Bit Name	Initial Value	R/W	Description
15	DPE	0	SH: R/WC PCI: R/WC	Parity Error Detect Status Indicates that a parity error was detected in read data when the PCIC is a master, or in write data when the PCIC is a target. This bit is set regardless of the value of parity error response bit. 0: Device did not detect parity error. 1: Device detected parity error.
14	SSE	0	SH: R/WC PCI: R/WC	System Error Output Status Indicates that the PCIC asserted \overline{SERR} . 0: \overline{SERR} was asserted 1: \overline{SERR} was asserted (the value is retained until this bit is cleared)
13	RMA	0	SH: R/WC PCI: R/WC	Master Abort Receive Status This bit indicates that a transaction was completed by master abort when the PCIC is a master. 0: Transaction is not completed by master abort 1: The bus master detected completion of transaction by master abort. Master abort is not set in special cycles.

Bit	Bit Name	Initial Value	R/W	Description
12	RTA	0	SH: R/W PCI: R/W	<p>Target Abort Receive Status</p> <p>This bit indicates that a transaction was completed by target abort when the PCIC is a master.</p> <p>0: Transaction is not completed with target abort 1: The bus master detected completion of transaction with target abort.</p>
11	STA	0	SH: R/W PCI: R/W	<p>Target Abort Execution Status</p> <p>This bit indicates that a transaction was completed by target abort when the PCIC is a target.</p> <p>0: Transaction is not completed by target abort 1: Transaction was completed by target abort</p>
10, 9	DEVSEL	01	SH: R PCI: R	<p>DEVSEL Timing Status</p> <p>This bit indicate the response timing status of DEVSEL when the PCIC is a target.</p> <p>00: Fast (not support) 01: Medium 10: Slow (not support) 11: Reserved</p>
8	MDPE	0	SH: R/W PCI: R/W	<p>Data Parity Error</p> <p>This bit indicates that the PCIC asserted \overline{PERR} or detected the assertion of \overline{PERR} when the PCIC is a master. This bit is set to 1 only when the parity response bit is set to 1.</p> <p>0: Data parity error is not generated 1: Data parity error was generated</p>
7	FBBC	1	SH: R PCI: R	<p>Fast Back-to-Back Status</p> <p>This bit indicates whether a target can accept fast back-to-back transfers for a different target if the PCIC is a target.</p> <p>0: A target does not support fast back-to-back transactions for a different target 1: A target supports fast back-to-back transactions for a different target</p>

Bit	Bit Name	Initial Value	R/W	Description
6	—	0	SH: R/W PCI: R	Reserved These bits are always read as 0. The write value should always be 0.
5	66C	0	SH: R/W PCI: R	66MHz-Operation Capable Status Indicates whether the PCIC can operate at 66MHz. 0: PCIC operates at 33 MHz 1: PCIC operates at 66 MHz
4	CL	1	SH: R PCI: R	PCI Power Management (extended function) Indicates whether the PCI power management is supported. 0: Power management not supported 1: Power management supported
3 to 0	—	All 0	SH: R PCI: R	Reserved These bits are always read as 0. The write value should always be 0.

(5) PCI Revision ID Register (PCIRID)

PCIRID specifies a revision identifier specific to a PCI device.

Bit:	7	6	5	4	3	2	1	0
	RID							
Initial value:	x	x	x	x	x	x	x	x
SH R/W:	R	R	R	R	R	R	R	R
PCI R/W:	R	R	R	R	R	R	R	R

Bit	Bit Name	Initial Value	R/W	Description
7 to 0	RID	H'xx	SH: R PCI: R	Revision ID Indicates the level revision of the PCIC. The initial value depends on the logic version of this LSI.

(6) PCI Program Interface Register (PCIPIF)

This field is the programming interface for the class code of the IDE controller. For details of the code value, see appendix D in PCI Local Bus Specification Revision 2.2.

Bit:	7	6	5	4	3	2	1	0
	MIDED	—	—	—	PIS	OMS	PIP	OMP
Initial value:	0	0	0	0	0	0	0	0
SH R/W:	R/W	R	R	R	R/W	R/W	R/W	R/W
PCI R/W:	R	R	R	R	R	R	R	R

Bit	Bit Name	Initial Value	R/W	Description
7	MIDED	0	SH: R/W PCI: R	PCI Master IDE Device Specifies the PCI master IDE device. 0: PCI slave IDE device 1: PCI master IDE device If this bit is written during register initialization (PCICR.CFINT = 0) in the PCIC, the value of this bit is updated. The value is not updated after initialization (PCICR.CFINT = 1).
6 to 4	—	All 0	SH: R PCI: R	Reserved These bits are always read as 0. The write value should always be 0.
3	PIS	0	SH: R/W PCI: R	PCI Programmable Indicator (Secondary) If this bit is written during register initialization (PCICR.CFINT = 0) in the PCIC, the value of this bit is updated. The value is not updated after initialization (PCICR.CFINT = 1).
2	OMS	0	SH: R/W PCI: R	PCI Operating Mode (Secondary) If this bit is written during register initialization (PCICR.CFINT = 0) in the PCIC, the value of this bit is updated. The value is not updated after initialization (PCICR.CFINT = 1).
1	PIP	0	SH: R/W PCI: R	PCI Programmable Indicator (Primary) If this bit is written during register initialization (PCICR.CFINT = 0) in the PCIC, the value of this bit is updated. The value is not updated after initialization (PCICR.CFINT = 1).

Bit	Bit Name	Initial Value	R/W	Description
0	OMP	0	SH: R/W PCI: R	PCI Operating Mode (Primary) If this bit is written during register initialization (PCICR.CFINT = 0) in the PCIC, the value of this bit is updated. The value is not updated after initialization (PCICR.CFINT = 1).

(7) PCI Sub Class Code Register (PCISUB)

This field defines the sub class code. For details of the code value, see appendix D in PCI Local Bus Specification Revision 2.2.

Bit:	7	6	5	4	3	2	1	0
	SUB							
Initial value:	0	0	0	0	0	0	0	0
SH R/W:	R/W	R/W	R/W	R/W	R/W	R/W	R/W	R/W
PCI R/W:	R	R	R	R	R	R	R	R

Bit	Bit Name	Initial Value	R/W	Description
7 to 0	SUB	H'00	SH: R/W PCI: R	Sub Class Code These bits indicate the sub class code. The initial value is H'00.

(8) PCI Base Class Code Register (PCIBCC)

This field defines the base class code. For details of the class code, see appendix D in PCI Local Bus Specification Revision 2.2.

Bit:	7	6	5	4	3	2	1	0
	BCC							
Initial value:	x	x	x	x	x	x	x	x
SH R/W:	R/W	R/W	R/W	R/W	R/W	R/W	R/W	R/W
PCI R/W:	R	R	R	R	R	R	R	R

Bit	Bit Name	Initial Value	R/W	Description
7 to 0	BCC	H'xx	SH: R/W PCI: R	Base Class Code These bits indicate the base class code. The initial value is H'xx.

(9) PCI Cache Line Size Register (PCICLS)

Bit:	7	6	5	4	3	2	1	0
	CLS							
Initial value:	0	0	1	0	0	0	0	0
SH R/W:	R	R	R	R	R	R	R	R
PCI R/W:	R	R	R	R	R	R	R	R

Bit	Bit Name	Initial Value	R/W	Description
7 to 0	CLS	H'20	SH: R PCI: R	Cache Line Size $\overline{SB0}$ and SDON are ignored because a memory target does not support cache.

(10) PCI Latency Timer Register (PCILTM)

Bit:	7	6	5	4	3	2	1	0
	LTM							
Initial value:	0	0	0	0	0	0	0	0
SH R/W:	R/W	R/W	R/W	R/W	R/W	R/W	R/W	R/W
PCI R/W:	R/W	R/W	R/W	R/W	R/W	R/W	R/W	R/W

Bit	Bit Name	Initial Value	R/W	Description
7 to 0	LTM	H'00	SH: R/W PCI: R/W	Latency Timer Register These bits specify the maximum time that the PCI bus is occupied with the clock cycle when the PCIC is a master.

(11) PCI Header Type Register (PCIHDR)

Bit:	7	6	5	4	3	2	1	0
	MFE	HDR						
Initial value:	0	0	0	0	0	0	0	0
SH R/W:	R	R	R	R	R	R	R	R
PCI R/W:	R	R	R	R	R	R	R	R

Bit	Bit Name	Initial Value	R/W	Description
7	MFE	0	SH: R PCI: R	Multiple Function Enable (HEAD7) Indicates whether the device is multi-function or single-function 0: Single function device 1: The device has two to eight multifunction devices (not supported)
6 to 0	HDR	H'00	SH: R PCI: R	Configuration Layout Type (HEAD6 to HEAD0) These bits indicate the layout type of configuration registers. H'00: Type 00h layout supported H'01: Type 01h layout supported (not supported)

(12) PCI BIST Register (PCIBIST)

Bit:	7	6	5	4	3	2	1	0
	BISTC	—	—	—	—	—	—	—
Initial value:	0	0	0	0	0	0	0	0
SH R/W:	R	R	R	R	R	R	R	R
PCI R/W:	R	R	R	R	R	R	R	R

Bit	Bit Name	Initial Value	R/W	Description
7	BISTC	0	SH: R PCI: R	This bit is used for the BIST function control and status. 0: Function not available 1: Function available (not supported)
6 to 0	—	All 0	SH: R PCI: R	Reserved These bits are always read as 0. The write value should always be 0.

(13) PCI I/O Base Address Register (PCIIBAR)

This register is the I/O space base address register of the PCI configuration register space header that is defined in PCI local bus specification. This register specifies the base address in the I/O space of the PCIC.

See section 13.4.4 (2), Accessing PCIC I/O Space.

Bit:	31	30	29	28	27	26	25	24	23	22	21	20	19	18	17	16
	IOB1 (upper)															
Initial value:	0	0	0	0	0	0	0	0	0	0	0	0	0	0	0	0
SH R/W:	R/W	R/W	R/W	R/W	R/W	R/W	R/W	R/W	R/W	R/W	R/W	R/W	R/W	R/W	R/W	R/W
PCI R/W:	R/W	R/W	R/W	R/W	R/W	R/W	R/W	R/W	R/W	R/W	R/W	R/W	R/W	R/W	R/W	R/W
Bit:	15	14	13	12	11	10	9	8	7	6	5	4	3	2	1	0
	IOB1 (upper)								IOB2 (lower)						—	ASI
Initial value:	0	0	0	0	0	0	0	0	0	0	0	0	0	0	0	1
SH R/W:	R/W	R/W	R/W	R/W	R/W	R/W	R/W	R/W	R	R	R	R	R	R	R	R
PCI R/W:	R/W	R/W	R/W	R/W	R/W	R/W	R/W	R/W	R	R	R	R	R	R	R	R

Bit	Bit Name	Initial Value	R/W	Description
31 to 8	IOB1 (upper)	H'000000	SH: R/W PCI: R/W	I/O Space Base Address (upper 24 bits) These bits specify the upper 24 bits of the base address for the I/O space of the PCIC (PCIC control register space).
7 to 2	IOB2 (lower)	000000	SH: R PCI: R	I/O Space Base Address (lower 6 bits) These bits are fixed to B'000000 by hardware.
1	—	0	SH: R PCI: R	Reserved This bit is always read as 0. The write value should always be 0.
0	ASI	1	SH: R PCI: R	Address Space Indicator Indicates whether the base address indicated by this register is in the I/O space or memory space. 0: Memory space 1: I/O space

(14) PCI Memory Base Address Register 0 (PCIMBAR0)

This register is the memory base address register of the PCI configuration register space header that is defined in PCI local bus specification. PCIMBAR0 specifies the memory space 0 (local address space 0) in this LSI internal bus (SuperHyway bus).

See section 13.4.4 (1), Accessing Memory Space in This LSI.

Bit:	31	30	29	28	27	26	25	24	23	22	21	20	19	18	17	16
	MBA1												MBA2			
Initial value:	0	0	0	0	0	0	0	0	0	0	0	0	0	0	0	0
SH R/W:	R/W	R/W	R/W	R/W	R/W	R/W	R/W	R/W	R/W	R/W	R/W	R/W	R	R	R	R
PCI R/W:	R/W	R/W	R/W	R/W	R/W	R/W	R/W	R/W	R/W	R/W	R/W	R/W	R	R	R	R
Bit:	15	14	13	12	11	10	9	8	7	6	5	4	3	2	1	0
	MBA2												LAP	LAT	ASI	
Initial value:	0	0	0	0	0	0	0	0	0	0	0	0	0	0	0	0
SH R/W:	R	R	R	R	R	R	R	R	R	R	R	R	R	R	R	R
PCI R/W:	R	R	R	R	R	R	R	R	R	R	R	R	R	R	R	R

Bit	Bit Name	Initial Value	R/W	Description
31 to 20	MBA1	H'000	SH: R/W PCI: R/W	<p>Memory Space 0 Base Address (upper 12 bits)</p> <p>These bits specify the upper 12 bits of memory base address for the local address space 0 (the address space in the internal bus).</p> <p>The valid bits of MBA1 depend on the capacity of the local address space specified with LSR in PCILSR0.</p> <p>LSR in PCILSR0 Address space Valid bits of MBA1 [28:20]</p> <p>B'0 0000 0000 1 Mbyte [31:20]</p> <p>B'0 0000 0001 2 Mbytes [31:21]</p> <p>B'0 0000 0011 4 Mbytes [31:22]</p> <p>B'0 0000 0111 8 Mbytes [31:23]</p> <p>B'0 0000 1111 16 Mbytes [31:24]</p> <p>B'0 0001 1111 32 Mbytes [31:25]</p> <p>B'0 0011 1111 64 Mbytes [31:26]</p> <p>B'0 0111 1111 128 Mbytes [31:27]</p> <p>B'0 1111 1111 256 Mbytes [31:28]</p> <p>B'1 1111 1111 512 Mbytes [31:29]</p> <p>Other than above: Setting prohibited</p>

Bit	Bit Name	Initial Value	R/W	Description
19 to 4	MBA2	H'0000	SH: R PCI: R	Memory Space 0 Base Address (lower 16 bits) These bits are fixed to H'0000 by hardware.
3	LAP	0	SH: R PCI: R	Prefetch Control Indicates whether prefetch can be performed in local address space 0. 0: Prefetch disabled 1: Prefetch enabled (not supported)
2, 1	LAT	00	SH: R PCI: R	Memory Type These bits indicate the memory type of local address space 0. 00: Base address can be set to 32-bit width and 32-bit space 01: Reserved 10: Base address is set to 64-bit width (Not supported) 11: Reserved
0	ASI	0	SH: R PCI: R	Address Space Indicator Indicates whether the base address indicated by this register is in the I/O space or memory space. 0: Memory space 1: I/O space

(15) PCI Memory Base Address Register 1 (PCIMBAR1)

This register is the memory base address register of the PCI configuration register space header that is defined in PCI local bus specification. PCIMBAR1 specifies the memory space 1 (local address space 1) in this LSI internal bus (SuperHyway bus).

See section 13.4.4 (1), Accessing Memory Space in This LSI.

Bit:	31	30	29	28	27	26	25	24	23	22	21	20	19	18	17	16
	MBA1												MBA2			
Initial value:	0	0	0	0	0	0	0	0	0	0	0	0	0	0	0	0
SH R/W:	R/W	R/W	R/W	R/W	R/W	R/W	R/W	R/W	R/W	R/W	R/W	R/W	R	R	R	R
PCI R/W:	R/W	R/W	R/W	R/W	R/W	R/W	R/W	R/W	R/W	R/W	R/W	R/W	R	R	R	R
Bit:	15	14	13	12	11	10	9	8	7	6	5	4	3	2	1	0
	MBA2												LAP	LAT	ASI	
Initial value:	0	0	0	0	0	0	0	0	0	0	0	0	0	0	0	0
SH R/W:	R	R	R	R	R	R	R	R	R	R	R	R	R	R	R	R
PCI R/W:	R	R	R	R	R	R	R	R	R	R	R	R	R	R	R	R

Bit	Bit Name	Initial Value	R/W	Description																																	
31 to 20	MBA1	H'000	SH: R/W PCI: R/W	<p>Memory Space 1 Base Address (upper 12 bits)</p> <p>These bits specify the upper 12 bits of memory base address for the local address space 1 (the address space in the internal bus).</p> <p>The valid bits of MBA1 depend on the capacity of the local address space specified with LSR in PCILSR1.</p> <table border="1"> <thead> <tr> <th>LSR in PCILSR1 [28:20]</th> <th>Address space</th> <th>Valid bits of MBA1</th> </tr> </thead> <tbody> <tr> <td>B'0 0000 0000</td> <td>1 Mbyte</td> <td>[31:20]</td> </tr> <tr> <td>B'0 0000 0001</td> <td>2 Mbytes</td> <td>[31:21]</td> </tr> <tr> <td>B'0 0000 0011</td> <td>4 Mbytes</td> <td>[31:22]</td> </tr> <tr> <td>B'0 0000 0111</td> <td>8 Mbytes</td> <td>[31:23]</td> </tr> <tr> <td>B'0 0000 1111</td> <td>16 Mbytes</td> <td>[31:24]</td> </tr> <tr> <td>B'0 0001 1111</td> <td>32 Mbytes</td> <td>[31:25]</td> </tr> <tr> <td>B'0 0011 1111</td> <td>64 Mbytes</td> <td>[31:26]</td> </tr> <tr> <td>B'0 0111 1111</td> <td>128 Mbytes</td> <td>[31:27]</td> </tr> <tr> <td>B'0 1111 1111</td> <td>256 Mbytes</td> <td>[31:28]</td> </tr> <tr> <td>B'1 1111 1111</td> <td>512 Mbytes</td> <td>[31:29]</td> </tr> </tbody> </table> <p>Other than above: Setting prohibited</p>	LSR in PCILSR1 [28:20]	Address space	Valid bits of MBA1	B'0 0000 0000	1 Mbyte	[31:20]	B'0 0000 0001	2 Mbytes	[31:21]	B'0 0000 0011	4 Mbytes	[31:22]	B'0 0000 0111	8 Mbytes	[31:23]	B'0 0000 1111	16 Mbytes	[31:24]	B'0 0001 1111	32 Mbytes	[31:25]	B'0 0011 1111	64 Mbytes	[31:26]	B'0 0111 1111	128 Mbytes	[31:27]	B'0 1111 1111	256 Mbytes	[31:28]	B'1 1111 1111	512 Mbytes	[31:29]
LSR in PCILSR1 [28:20]	Address space	Valid bits of MBA1																																			
B'0 0000 0000	1 Mbyte	[31:20]																																			
B'0 0000 0001	2 Mbytes	[31:21]																																			
B'0 0000 0011	4 Mbytes	[31:22]																																			
B'0 0000 0111	8 Mbytes	[31:23]																																			
B'0 0000 1111	16 Mbytes	[31:24]																																			
B'0 0001 1111	32 Mbytes	[31:25]																																			
B'0 0011 1111	64 Mbytes	[31:26]																																			
B'0 0111 1111	128 Mbytes	[31:27]																																			
B'0 1111 1111	256 Mbytes	[31:28]																																			
B'1 1111 1111	512 Mbytes	[31:29]																																			

Bit	Bit Name	Initial Value	R/W	Description
19 to 4	MBA2	H'0000	SH: R PCI: R	Memory Space 1 Base Address (lower 16 bits) These bits are fixed to H'0000 by hardware.
3	LAP	0	SH: R PCI: R	Prefetch Control Indicates whether prefetch can be performed in local address space 1. 0: Prefetch disabled 1: Prefetch enabled (not supported)
2, 1	LAT	00	SH: R PCI: R	Memory Type These bits indicate the memory type of local address space 1. 00: Base address can be set to 32-bit width and 32-bit space 01: Reserved 10: Base address is set to 64-bit width (Not supported) 11: Reserved
0	ASI	0	SH: R PCI: R	Address Space Indicator Indicates whether the base address indicated by this register is in the I/O or memory space. 0: Memory space 1: I/O space

(16) PCI Subsystem Vender ID Register (PCISVID)

See the description of each register in PCI Local Bus Specification Revision 2.2.

Bit:	15	14	13	12	11	10	9	8	7	6	5	4	3	2	1	0
	SVID															
Initial value:	0	0	0	0	0	0	0	0	0	0	0	0	0	0	0	0
SH R/W:	R/W	R/W	R/W	R/W	R/W	R/W	R/W	R/W	R/W	R/W	R/W	R/W	R/W	R/W	R/W	R/W
PCI R/W:	R	R	R	R	R	R	R	R	R	R	R	R	R	R	R	R

Bit	Bit Name	Initial Value	R/W	Description
15 to 0	SVID	H'0000	SH: R/W PCI: R	Subsystem ID These bits specify the subsystem ID of the PCIC. These bits are updated when these bits are written during the initialization (CFINIT = 0 in PCICR) in the PCIC. The value is not updated when these bits are written after initialization (CFINIT = 1 in PCICR).

(17) PCI Subsystem ID Register (PCISID)

See description of each register in PCI Local Bus Specification Revision 2.2.

Bit:	15	14	13	12	11	10	9	8	7	6	5	4	3	2	1	0
	SID															
Initial value:	0	0	0	0	0	0	0	0	0	0	0	0	0	0	0	0
SH R/W:	R/W	R/W	R/W	R/W	R/W	R/W	R/W	R/W	R/W	R/W	R/W	R/W	R/W	R/W	R/W	R/W
PCI R/W:	R	R	R	R	R	R	R	R	R	R	R	R	R	R	R	R

Bit	Bit Name	Initial Value	R/W	Description
15 to 0	SID	H'0000	SH: R/W PCI: R	Subsystem Vendor ID These bits specify the subsystem vendor ID of the PCIC. These bits are updated when these bits are written during the initialization (CFINIT = 0 in PCICR) in the PCIC. The value is not updated when these bits are written after initialization (CFINIT = 1 in PCICR).

(18) PCI Capability Pointer Register (PCICP)

This register is the extension function pointer register of the PCI configuration register that is defined in the PCI Power Management Specification.

Bit:	7	6	5	4	3	2	1	0
	CP							
Initial value:	0	1	0	0	0	0	0	0
SH R/W:	R	R	R	R	R	R	R	R
PCI R/W:	R	R	R	R	R	R	R	R

Bit	Bit Name	Initial Value	R/W	Description
7 to 0	CP	H'40	SH: R PCI: R	Capabilities Pointer These bits indicate the offset of the expansion function (power management) ID register.

(19) PCI Interrupt Line Register (PCIINTLINE)

Bit:	7	6	5	4	3	2	1	0
	INTLINE							
Initial value:	0	0	0	0	0	0	0	0
SH R/W:	R/W	R/W	R/W	R/W	R/W	R/W	R/W	R/W
PCI R/W:	R/W	R/W	R/W	R/W	R/W	R/W	R/W	R/W

Bit	Bit Name	Initial Value	R/W	Description
7 to 0	INTLINE	H'00	SH: R/W PCI: R/W	PCI Interrupt Line These bits specify the information on PCI interrupt path from this LSI. These bits are set by system software during initialization. The initial value is H'00. The setting value of this register does not affect the operation of this LSI.

(20) PCI Interrupt Pin Register (PCIINTPIN)

Bit:	7	6	5	4	3	2	1	0
	INTPIN							
Initial value:	0	0	0	0	0	0	0	1
SH R/W:	R/W	R/W	R/W	R/W	R/W	R/W	R/W	R/W
PCI R/W:	R	R	R	R	R	R	R	R

Bit	Bit Name	Initial Value	R/W	Description
7 to 0	INTPIN	H'01	SH: R/W PCI: R	Interrupt Pin Select These bits specify which interrupt pin is used as connection destination when the PCIC outputs interrupt requests. The initial value is H'01. H'00: PCI interrupt pins not used H'01: $\overline{\text{INTA}}$ used H'02: $\overline{\text{INTB}}$ used H'03: $\overline{\text{INTC}}$ used H'04: $\overline{\text{INTD}}$ used H'05 to H'FF: Reserved

(21) Minimum Grant Register (PCIMINGNT)

This register is not programmable.

Bit:	7	6	5	4	3	2	1	0
	MINGNT							
Initial value:	0	0	0	0	0	0	0	0
SH R/W:	R	R	R	R	R	R	R	R
PCI R/W:	R	R	R	R	R	R	R	R

Bit	Bit Name	Initial Value	R/W	Description
7 to 0	MINGNT	H'00	SH: R PCI: R	Minimum Grant Specification These bits specify the burst time required by the PCI master device (not supported).

(22) Maximum Latency Register (PCIMAXLAT)

This register is not programmable.

Bit:	7	6	5	4	3	2	1	0
	MAXLAT							
Initial value:	0	0	0	0	0	0	0	0
SH R/W:	R	R	R	R	R	R	R	R
PCI R/W:	R	R	R	R	R	R	R	R

Bit	Bit Name	Initial Value	R/W	Description
7 to 0	MAXLAT	H'00	SH: R PCI: R	Maximum Latency Specification (MILAT7 to MILAT0) These bits specify the maximum time from requesting the bus mastership by the PCI master device to acquiring bus (not supported).

(23) PCI Capability Identifier Register (PCICID)

Bit:	7	6	5	4	3	2	1	0
	CID							
Initial value:	0	0	0	0	0	0	0	1
SH R/W:	R	R	R	R	R	R	R	R
PCI R/W:	R	R	R	R	R	R	R	R

Bit	Bit Name	Initial Value	R/W	Description
7 to 0	CID	H'01	SH: R PCI: R	Extension Function ID These bits specify the extension function ID. H'01: Indicates that the expansion function is power management.

(24) PCI Next Item Pointer Register (PCINIP)

PCINIP indicates the location of the next item in the list of extension function.

Bit:	7	6	5	4	3	2	1	0
	NIP							
Initial value:	0	0	0	0	0	0	0	0
SH R/W:	R	R	R	R	R	R	R	R
PCI R/W:	R	R	R	R	R	R	R	R

Bit	Bit Name	Initial Value	R/W	Description
7 to 0	NIP	H'00	SH: R PCI: R	Next Item Pointer H'00: Indicates that power management function is listed as the last item.

(25) PCI Power Management Register (PCIPMC)

PCIPMC is a 16-bit register that provides information on the functions related to power management. For details, see section 3, PCI Power Management Interface in PCI Bus Power Management Interface Specification Revision 1.1. This register is not cleared by a power-on reset. This register must be set during initialization of register initialization in the PCIC (CFINIT = 0 in PCICR).

Bit:	15	14	13	12	11	10	9	8	7	6	5	4	3	2	1	0
	PMCS					D2S	D1S	—	—	—	DSI	—	PMEC	PMV		
Initial value:	0	0	0	0	0	0	0	0	0	0	0	0	1	0	1	0
SH R/W:	R	R	R	R	R	R/W	R/W	R	R	R	R	R	R/W	R/W	R/W	R/W
PCI R/W:	R	R	R	R	R	R	R	R	R	R	R	R	R	R	R	R

Bit	Bit Name	Initial Value	R/W	Description
15 to 11	PMCS	00000	SH: R PCI: R	<p>$\overline{\text{PME}}$ SUPPORT</p> <p>This 5-bit field indicates the power state that asserts $\overline{\text{PME}}$, by using this power management function. When these bits are 0, these bits indicate that this function cannot assert $\overline{\text{PME}}$ at that power state (not supported).</p> <p>(Bit11) xxxx1: $\overline{\text{PME}}$ can be asserted from D0</p> <p>(Bit12) xxx1x: $\overline{\text{PME}}$ can be asserted from D1</p> <p>(Bit13) xx1xx: $\overline{\text{PME}}$ can be asserted from D2</p> <p>(Bit14) x1xxx: $\overline{\text{PME}}$ can be asserted from D3hot</p> <p>(Bit15) 1xxxx: $\overline{\text{PME}}$ can be asserted from D3cold</p> <p>Note: The PCIC in this LSI dose not have the $\overline{\text{PME}}$ pin.</p>
10	D2S	0	SH: R/W PCI: R	<p>D2 Support</p> <p>When this bit is 1, this power management function supports the D2 power management state. When the D2 power management state is not supported, this bit should always be read as 0.</p>
9	D1S	0	SH: R/W PCI: R	<p>D1 Support</p> <p>When this bit is 1, This function supports the D1 power management state. When the D1 power management state is not supported, this bit is read as 0.</p>

Bit	Bit Name	Initial Value	R/W	Description
8 to 6	—	All 0	SH: R PCI: R	Reserved These bits are always read as 0. The write value should always be 0.
5	DSI	0	SH: R PCI: R	DSI The write value should always be 0. 0: Indicates that the proper initialization is not required
4	—	0	SH: R PCI: R	Reserved These bits are always read as 0. The write value should always be 0.
3	PMEC	1	SH: R/W PCI: R	PCI PME Clock Specifies whether the clock is required to support $\overline{\text{PME}}$. 0: The clock is not required to support $\overline{\text{PME}}$. Note: The PCIC in this LSI dose not have the $\overline{\text{PME}}$ pin.
2 to 0	PMV	010	SH: R/W PCI: R	Version Indicates the version of the power management specifications. 010: Indicates that the power management specification conforms to revision 1.1

(26) PCI Power Management Control/Status Register (PCIPMCSR)

This register manages power management events (PME) of the PCI function. For details, see section 3, PCI Power Management Interface in PCI Bus Power Management Interface Specification Revision 1.1.

Bit:	15	14	13	12	11	10	9	8	7	6	5	4	3	2	1	0
	PMES	DSC		DSL				PME EN	—	—	—	—	—	—	—	PS
Initial value:	0	0	0	0	0	0	0	0	0	0	0	0	0	0	0	0
SH R/W:	R	R	R	R	R	R	R	R	R	R	R	R	R	R	R/W	R/W
PCI R/W:	R	R	R	R	R	R	R	R	R	R	R	R	R	R	R/W	R/W

Bit	Bit Name	Initial Value	R/W	Description
15	PMES	0	SH: R PCI: R	PME Status Indicates the state of the $\overline{\text{PME}}$ signal (not supported) Note: The PCIC in this LSI dose not has the $\overline{\text{PME}}$ pin.
14, 13	DSC	00	SH: R PCI: R	Data Scale These bits specify the scaling value of data field (not supported)
12 to 9	DSL	0000	SH: R PCI: R	Data Select These bits specify the value output to the data field (not supported)
8	PMEEN	0	SH: R PCI: R	PME Enable Controls the $\overline{\text{PME}}$ output (not supported) Note: The PCIC in this LSI dose not has the $\overline{\text{PME}}$ pin.
7 to 2	—	All 0	SH: R PCI: R	Reserved These bits are always read as 0. The write value should always be 0.

Bit	Bit Name	Initial Value	R/W	Description
1, 0	PS	00	SH: R/W PCI: R/W	Power State These bits specify the power state. If an unsupported state is specified, a state transition is not made. However, the register is written normally and no error is indicated. 00: D0 state 01: D1 state 10: D2 state 11: D3 hot state

(27) PCIPMCSR Bridge Support Extension Register (PCIPMCSRBSE)

This register supports the functions specific to the PCI bridge and is required for all PCI-to-PCI bridges.

Bit:	7	6	5	4	3	2	1	0
	BPC CEN	B2B3N	—	—	—	—	—	—
Initial value:	0	0	0	0	0	0	0	0
SH R/W:	R	R	R	R	R	R	R	R
PCI R/W:	R	R	R	R	R	R	R	R

Bit	Bit Name	Initial Value	R/W	Description
7	BPCEN	0	SH: R PCI: R	When the bus power/clock control mechanism is disabled, the system software does not use the power state field in PCI_PMCSR of the bridge to control the power or clock of the secondary bus of the bridge.
6	B2B3N	0	SH: R PCI: R	The state of this bit determines the action to be taken as a result of programming that sets the power management function to the D3 hot state. 0: Indicates that the power supplied to the secondary will be stopped (B3) when the bridge function is set to the D3 hot state. 1: Indicates that the PCI clock of the secondary bus will be stopped (B2) when the bridge function is set to the D3 hot state. This bit is valid only when bit 7 (PCI_BPCEN) is set to 1.
5 to 0	—	All 0	SH: R PCI: R	Reserved These bits are always read as 0. The write value should always be 0.

(28) PCI Power Consumption/Radiation Register (PCIPCDD)

The data register is an 8-bit optional register (read-only from the PCI bus) that notifies operation data such as power consumption depending on the state and heat dissipation. For details, see section 3, PCI Power Management Interface in PCI Bus Power Management Interface Specification Revision 1.1.

Bit:	7	6	5	4	3	2	1	0
	PCDD							
Initial value:	0	0	0	0	0	0	0	0
SH R/W:	R/W	R/W	R/W	R/W	R/W	R/W	R/W	R/W
PCI R/W:	R	R	R	R	R	R	R	R

Bit	Bit Name	Initial Value	R/W	Description
7 to 0	PCDD	H'00	SH: R/W PCI: R	This register is used to notify the state-dependent data requested by the PCIPMCSR.DSL fields. The value of this register is scaled by the value notified by the PCIPMCSR.DSC field.

13.3.3 PCI Local Registers

(1) PCI Control Register (PCICR)

PCICR is a 32-bit register which controls the operation of the PCIC in this LSI.

Writing to this register is valid only when the value of bits 31 to 24 are H'A5.

Bit:	31	30	29	28	27	26	25	24	23	22	21	20	19	18	17	16
	—	—	—	—	—	—	—	—	—	—	—	—	—	—	—	—
Initial value:	0	0	0	0	0	0	0	0	0	0	0	0	0	0	0	0
SH R/W:	R/W	R/W	R/W	R/W	R/W	R/W	R/W	R/W	R	R	R	R	R	R	R	R
PCI R/W:	R	R	R	R	R	R	R	R	R	R	R	R	R	R	R	R
Bit:	15	14	13	12	11	10	9	8	7	6	5	4	3	2	1	0
	—	—	—	—	PFCS	FTO	PFE	TBS	—	BMAM	—	—	—	IOCS	RST CTL	CFINT
Initial value:	0	0	0	0	0	0	0	0	0	0	x	x	x	0	0	0
SH R/W:	R	R	R	R	R/W	R/W	R/W	R/W	R	R/W	R	R	R	R/W	R/W	R/W
PCI R/W:	R	R	R	R	R	R	R	R	R	R	R	R	R	R	R	R

Bit	Bit Name	Initial Value	R/W	Description
31 to 24	—	H'00	SH: R/W PCI: R	Reserved These bits should be set to H'A5 (write H'A5 to these bits) only before bits 11 to 8, 6, and 2 to 0 are written. These bits are always read as 0.
23 to 12	—	All 0	SH: R PCI: R	Reserved These bits are always read as 0. The write value should always be 0.
11	PFCS	0	SH: R/W PCI: R	PCI Pre-Fetch Command Setting Specifies the access size for pre-fetch when the target memory read access is issued by an external PCI device. This bit is valid only when the PFE bit is 1. 0: 8-byte pre-fetch is always performed 1: 32-byte pre-fetch is always performed

Bit	Bit Name	Initial Value	R/W	Description
10	FTO	0	SH: R/W PCI: R	PCI $\overline{\text{TRDY}}$ /Control Enable Specifies the function that negates $\overline{\text{TRDY}}$ within 5 cycles before disconnection in a target access. 0: Disabled 1: Enabled
9	PFE	0	SH: R/W PCI: R	PCI Pre-Fetch Enable Specifies whether pre-fetch is performed when a target memory access is performed by an external PCI device. 0: Disabled 1: Enabled
8	TBS	0	SH: R/W PCI: R	Byte Swap Specifies whether byte data is swapped when the PCI bus is accessed. 0: No swap 1: Byte data is swapped For details, see section 13.4.3 (5), Endian or section 13.4.4 (6), Endian.
7	—	0	SH: R PCI: R	Reserved This bit is always read as 0. The write value should always be 0.
6	BMAM	0	SH: R/W PCI: R	Bus Master Arbitration Controls the PCI bus arbitration mode of the PCIC when the PCIC is in host mode. This bit is ignored when the PCIC is in normal mode. Note: For details, see section 13.4.5 (3), Arbitration. 0: Priority fixed mode (PCIC > device0 > device1 > device2 > device3) 1: Pseudo-round-robin (the priority of the device that has bus mastership is set to the lowest.)
5 to 3	—	xxx	SH: R PCI: R	Reserved These bits are always read as an undefined value. The write value should always be 0.

Bit	Bit Name	Initial Value	R/W	Description
2	IOCS	0	SH: R/W PCI: R	<p>$\overline{\text{INTA}}$ Output</p> <p>Controls the $\overline{\text{INTA}}$ output by software. This bit is valid only when the PCIC operates in normal mode.</p> <p>0: The $\overline{\text{INTA}}$ pin is in the high-impedance state (driven high by an on-chip pull-up resistor)</p> <p>1: Asserts $\overline{\text{INTA}}$ (output at low level)</p>
1	RSTCTL	0	SH: R/W PCI: R	<p>$\overline{\text{PCIRST}}$ Output</p> <p>Controls the $\overline{\text{PCIRST}}$ pin state by setting this bit to 1. The $\overline{\text{PCIRST}}$ pin is output at low level at a power-on reset.</p> <p>0: Negates $\overline{\text{PCIRST}}$ (output at high level)</p> <p>1: Asserts $\overline{\text{PCIRST}}$ (output at low level)</p>
0	CFINIT	0	SH: R/W PCI: R	<p>PCIC Internal Register Initialization Control</p> <p>This bit should be set to 1 after the PCIC internal registers are initialized. Setting this bit enables accesses from the PCI bus. During initialization in host mode, the bus mastership is not given to the other devices on the PCI bus. In normal mode, the PCIC returns RETRY without accepting the access from the PCI bus when it is accessed from the PCI bus.</p> <p>0: Initialization being performed</p> <p>1: Initialization completed</p>

(2) PCI Local Space Register 0 (PCILSR0)

See section 13.4.4 (1), Accessing Memory Space in This LSI.

Bit:	31	30	29	28	27	26	25	24	23	22	21	20	19	18	17	16			
	—	—	—	LSR												—	—	—	—
Initial value:	0	0	0	0	0	0	0	0	0	0	0	0	0	0	0	0			
SH R/W:	R	R	R	R/W	R/W	R/W	R/W	R/W	R/W	R/W	R/W	R/W	R	R	R	R			
PCI R/W:	R	R	R	R	R	R	R	R	R	R	R	R	R	R	R	R			
Bit:	15	14	13	12	11	10	9	8	7	6	5	4	3	2	1	0			
	—	—	—	—	—	—	—	—	—	—	—	—	—	—	—	MBA RE			
Initial value:	0	0	0	0	0	0	0	0	0	0	0	0	0	0	0	0			
SH R/W:	R	R	R	R	R	R	R	R	R	R	R	R	R	R	R	R/W			
PCI R/W:	R	R	R	R	R	R	R	R	R	R	R	R	R	R	R	R			

Bit	Bit Name	Initial Value	R/W	Description
31 to 29	—	All 0	SH: R PCI: R	Reserved These bits are always read as 0. The write value should always be 0.
28 to 20	LSR	0 0000 0000	SH: R/W PCI: R	Size of Local Address Spaces 0 (9 bits) These bits specify the size of the local address space 0 (address space for this LSI internal bus) in byte units. (Specified size (Mbytes) – 1) should be set to these bits. When all bits are set to 0, 1-Mbyte space is secured (initial value). B'0 0000 0000: 1 Mbyte B'0 0000 0001: 2 Mbytes B'0 0000 0011: 4 Mbytes B'0 0000 0111: 8 Mbytes B'0 0000 1111: 16 Mbytes B'0 0001 1111: 32 Mbytes B'0 0011 1111: 64 Mbytes B'0 0111 1111: 128 Mbytes B'0 1111 1111: 256 Mbytes B'1 1111 1111: 512 Mbytes Other than above: Setting prohibited

Bit	Bit Name	Initial Value	R/W	Description
19 to 1	—	All 0	SH: R PCI: R	Reserved These bits are always read as 0. The write value should always be 0.
0	MBARE	0	SH: R/W PCI: R	PCI Memory Base Address Register 0 Enable Enables accesses to the local address space 0 by setting this bit to 1. 0: MBAR0 disabled 1: MBAR0 enabled

(3) PCI Local Space Register 1 (PCILSR1)

See section 13.4.4 (1), Accessing Memory Space in This LSI.

Bit:	31	30	29	28	27	26	25	24	23	22	21	20	19	18	17	16
	—	—	—	LSR								—	—	—	—	
Initial value:	0	0	0	0	0	0	0	0	0	0	0	0	0	0	0	0
SH R/W:	R	R	R	R/W	R/W	R/W	R/W	R/W	R/W	R/W	R/W	R/W	R	R	R	R
PCI R/W:	R	R	R	R	R	R	R	R	R	R	R	R	R	R	R	R
Bit:	15	14	13	12	11	10	9	8	7	6	5	4	3	2	1	0
	—	—	—	—	—	—	—	—	—	—	—	—	—	—	—	MBA RE
Initial value:	0	0	0	0	0	0	0	0	0	0	0	0	0	0	0	0
SH R/W:	R	R	R	R	R	R	R	R	R	R	R	R	R	R	R	R/W
PCI R/W:	R	R	R	R	R	R	R	R	R	R	R	R	R	R	R	R

Bit	Bit Name	Initial Value	R/W	Description
31 to 29	—	All 0	SH: R PCI: R	Reserved These bits are always read as 0. The write value should always be 0.

Bit	Bit Name	Initial Value	R/W	Description
28 to 20	LSR	0 0000 0000	SH: R/W PCI: R	Capacity of Local Address Spaces 1 (9 bits) These bits specify the size of the local address space 1 (address space for this LSI internal bus) in byte units. (Specified size (Mbytes) – 1) should be set to these bits. When all bits are set to 0, 1-Mbyte space is secured (initial value). B'0 0000 0000: 1 Mbyte B'0 0000 0001: 2 Mbytes B'0 0000 0011: 4 Mbytes B'0 0000 0111: 8 Mbytes B'0 0000 1111: 16 Mbytes B'0 0001 1111: 32 Mbytes B'0 0011 1111: 64 Mbytes B'0 0111 1111: 128 Mbytes B'0 1111 1111: 256 Mbytes B'1 1111 1111: 512 Mbytes Other than above: Setting prohibited
19 to 1	—	All 0	SH: R PCI: R	Reserved These bits are always read as 0. The write value should always be 0.
0	MBARE	0	SH: R/W PCI: R	PCI Memory Base Address Register 1 Enable Enables accesses to the local address space 1 by setting this bit to 1. 0: MBAR1 disabled 1: MBAR1 enabled

(4) PCI Local Address Register 0 (PCILAR0)

See section 13.4.3 (2), Accessing PCI Memory Space.

Bit:	31	30	29	28	27	26	25	24	23	22	21	20	19	18	17	16
	LAR												—	—	—	—
Initial value:	0	0	0	0	0	0	0	0	0	0	0	0	0	0	0	0
SH R/W:	R/W	R/W	R/W	R/W	R/W	R/W	R/W	R/W	R/W	R/W	R/W	R/W	R	R	R	R
PCI R/W:	R	R	R	R	R	R	R	R	R	R	R	R	R	R	R	R
Bit:	15	14	13	12	11	10	9	8	7	6	5	4	3	2	1	0
	—	—	—	—	—	—	—	—	—	—	—	—	—	—	—	—
Initial value:	0	0	0	0	0	0	0	0	0	0	0	0	0	0	0	0
SH R/W:	R	R	R	R	R	R	R	R	R	R	R	R	R	R	R	R
PCI R/W:	R	R	R	R	R	R	R	R	R	R	R	R	R	R	R	R

Bit	Bit Name	Initial Value	R/W	Description
31 to 20	LAR	H'000	SH: R/W PCI: R	<p>Local Address (12 bits)</p> <p>These bits specify bits 31 to 20 for the start address of the local address space 0 (internal bus space in this LSI).</p> <p>As shown below, the valid bits of LAR change depending on the local address space size specified by the LSR bit in PCILSR0.</p> <p>PCILSR0.LSR ([28:20]) = B'0 0000 0000: Bits [31:20] are valid.</p> <p>PCILSR0.LSR ([28:20]) = B'0 0000 0001: Bits [31:21] are valid.</p> <p>PCILSR0.LSR ([28:20]) = B'0 0000 0011: Bits [31:22] are valid.</p> <p>PCILSR0.LSR ([28:20]) = B'0 0000 0111: Bits [31:23] are valid.</p> <p>PCILSR0.LSR ([28:20]) = B'0 0000 1111: Bits [31:24] are valid.</p> <p>PCILSR0.LSR ([28:20]) = B'0 0001 1111: Bits [31:25] are valid.</p> <p>PCILSR0.LSR ([28:20]) = B'0 0011 1111: Bits [31:26] are valid.</p> <p>PCILSR0.LSR ([28:20]) = B'0 0111 1111: Bits [31:27] are valid.</p> <p>PCILSR0.LSR ([28:20]) = B'0 1111 1111: Bits [31:28] are valid.</p> <p>PCILSR0.LSR ([28:20]) = B'1 1111 1111: Bits [31:29] are valid.</p>
19 to 0	—	All 0	SH: R PCI: R	<p>Reserved</p> <p>These bits are always read as 0. The write value should always be 0.</p>

(5) PCI Local Address Register 1 (PCILAR1)

See section 13.4.3 (2), Accessing PCI Memory Space.

Bit:	31	30	29	28	27	26	25	24	23	22	21	20	19	18	17	16
	LAR												—	—	—	—
Initial value:	0	0	0	0	0	0	0	0	0	0	0	0	0	0	0	0
SH R/W:	R/W	R/W	R/W	R/W	R/W	R/W	R/W	R/W	R/W	R/W	R/W	R/W	R	R	R	R
PCI R/W:	R	R	R	R	R	R	R	R	R	R	R	R	R	R	R	R
Bit:	15	14	13	12	11	10	9	8	7	6	5	4	3	2	1	0
	—	—	—	—	—	—	—	—	—	—	—	—	—	—	—	—
Initial value:	0	0	0	0	0	0	0	0	0	0	0	0	0	0	0	0
SH R/W:	R	R	R	R	R	R	R	R	R	R	R	R	R	R	R	R
PCI R/W:	R	R	R	R	R	R	R	R	R	R	R	R	R	R	R	R

Bit	Bit Name	Initial Value	R/W	Description
31 to 20	LAR	H'000	SH: R/W PCI: R	<p>Local Address (12 bits)</p> <p>These bits specify bits 31 to 20 for the start address of the local address space 1 (this LSI internal bus space).</p> <p>As shown below, the valid bits of LAR change depending on the local address space size specified by the LSR bit in PCILSR1.</p> <p>PCILSR1.LSR ([28:20]) = B'0 0000 0000: Bits [31:20] are valid. PCILSR1.LSR ([28:20]) = B'0 0000 0001: Bits [31:21] are valid. PCILSR1.LSR ([28:20]) = B'0 0000 0011: Bits [31:22] are valid. PCILSR1.LSR ([28:20]) = B'0 0000 0111: Bits [31:23] are valid. PCILSR1.LSR ([28:20]) = B'0 0000 1111: Bits [31:24] are valid. PCILSR1.LSR ([28:20]) = B'0 0001 1111: Bits [31:25] are valid. PCILSR1.LSR ([28:20]) = B'0 0011 1111: Bits [31:26] are valid. PCILSR1.LSR ([28:20]) = B'0 0111 1111: Bits [31:27] are valid. PCILSR1.LSR ([28:20]) = B'0 1111 1111: Bits [31:28] are valid. PCILSR1.LSR ([28:20]) = B'1 1111 1111: Bits [31:29] are valid.</p>
19 to 0	—	All 0	SH: R PCI: R	<p>Reserved</p> <p>These bits are always read as 0. The write value should always be 0.</p>

(6) PCI Interrupt Register (PCIIR)

PCIIR records interrupt sources. When an interrupt occurs, the corresponding bit is set to 1. When multiple interrupts occur, only the first source is registered. When an interrupt is disabled, 1 is written to the corresponding bit by the interrupt source, and no interrupt occurs.

Bit:	31	30	29	28	27	26	25	24	23	22	21	20	19	18	17	16
	—	—	—	—	—	—	—	—	—	—	—	—	—	—	—	—
Initial value:	0	0	0	0	0	0	0	0	0	0	0	0	0	0	0	0
SH R/W:	R	R	R	R	R	R	R	R	R	R	R	R	R	R	R	R
PCI R/W:	R	R	R	R	R	R	R	R	R	R	R	R	R	R	R	R
Bit:	15	14	13	12	11	10	9	8	7	6	5	4	3	2	1	0
	—	TTA DI	—	—	—	—	TMT OI	MDEI	APE DI	SDI	DPEI TW	PEDI TR	TAD IM	MAD IM	MW PDI	MRD PEI
Initial value:	0	0	0	0	0	0	0	0	0	0	0	0	0	0	0	0
SH R/W:	R	R/WC	R	R	R	R	R/WC	R/WC	R/WC	R/WC	R/WC	R/WC	R/WC	R/WC	R/WC	R/WC
PCI R/W:	R	R	R	R	R	R	R	R	R	R	R	R	R	R	R	R

Bit	Bit Name	Initial Value	R/W	Description
31 to 15	—	All 0	SH: R PCI: R	Reserved These bits are always read as 0. The write value should always be 0.
14	TTADI	0	SH: R/WC PCI: R	<p>Target Target-Abort Interrupt</p> <p>Indicates that the PCIC has terminated a transaction with a target-abort when the PCIC functions as a target.</p> <p>A target-abort is detected as an illegal byte enable when the lower two bits (bits 1 and 0) of the address and the byte enable do not match during an I/O transfer (target).</p> <p>0: Target-abort interrupt does not occur [Clear condition] Write 1 to this bit (write clear).</p> <p>1: Target-abort interrupt occurs [Set condition] When a target-abort interrupt occurs.</p>
13 to 10	—	All 0	SH: R PCI: R	Reserved These bits are always read as 0. The write value should always be 0.

Bit	Bit Name	Initial Value	R/W	Description
9	TMTOI	0	SH: R/WC PCI: R	<p>Target Memory Read Retry Timeout Interrupt</p> <p>Indicates that the master did not perform retry processing within 2^{15} clocks in PCICLK when the PCIC is a target. This bit is detected only for memory read transfers.</p> <p>0: A target memory read retry timeout interrupt was not generated</p> <p>1: A target memory read retry timeout interrupt was generated</p> <p>When TTADI bit is write to 0, target target-abort interrupt is cleared. When write to 1, it is not available.</p>
8	MDEI	0	SH: R/WC PCI: R	<p>Master Function Disable Error Interrupt</p> <p>Indicates that the PCIC attempted to operate as a master (PIO or DMA transfer) although bit 2 (BM) in PCICMD is cleared to 0 and operation as a bus master is disabled.</p> <p>0: A master function disable error interrupt was not generated</p> <p>1: A master function disable error interrupt was generated</p> <p>When TTADI bit is write to 0, target target-abort interrupt is cleared. When write to 1, it is not available.</p>
7	APEDI	0	SH: R/WC PCI: R	<p>Address Parity Error Detection Interrupt</p> <p>Indicates that an address parity error was detected.</p> <p>Note: An address parity error is detected only when both of the bits 8 (SERRE) and 6 (PER) in PCICMD are set to 1.</p> <p>0: An address parity error interrupt was not generated</p> <p>1: An address parity error interrupt was generated</p> <p>When TTADI bit is write to 0, target target-abort interrupt is cleared. When write to 1, it is not available.</p>

Bit	Bit Name	Initial Value	R/W	Description
6	SDI	0	SH: R/WC PCI: R	<p>SERR Detection Interrupt</p> <p>Indicates that the assertion of $\overline{\text{SERR}}$ was detected when the PCIC is a host.</p> <p>0: A $\overline{\text{SERR}}$ detection interrupt was not generated 1: A $\overline{\text{SERR}}$ detection interrupt was generated</p> <p>When TTADI bit is write to 0, target target-abort interrupt is cleared. When write to 1, it is not available.</p>
5	DPEITW	0	SH: R/WC PCI: R	<p>Data Parity Error Interrupt in Target Write</p> <p>Indicates that a data parity error was detected in reception of a target write transfer when the PCIC is a target.</p> <p>Note: A data parity error in target write is detected only when bit 6 (PER) in PCICMD is set to 1.</p> <p>0: A data parity error interrupt was not generated in target write 1: A data parity error interrupt was generated in target write</p> <p>When TTADI bit is write to 0, target target-abort interrupt is cleared. When write to 1, it is not available.</p>
4	PEDITR	0	SH: R/WC PCI: R	<p>$\overline{\text{PERR}}$ Detection Interrupt in Target Read</p> <p>Indicates that $\overline{\text{PERR}}$ was received in reception of a target read transfer when the PCIC is a target.</p> <p>Note: $\overline{\text{PERR}}$ is detected in target read only when bit 6 (PER) in PCICMD is set to 1.</p> <p>0: A $\overline{\text{PERR}}$ detection interrupt was not generated in target read 1: A $\overline{\text{PERR}}$ detection interrupt was generated in target read</p> <p>When TTADI bit is write to 0, target target-abort interrupt is cleared. When write to 1, it is not available.</p>

Bit	Bit Name	Initial Value	R/W	Description
3	TADIM	0	SH: R/WC PCI: R	<p>Target Abort Detection Interrupt for Master</p> <p>Indicates that transaction was terminated by a target abort when the PCIC is a master.</p> <p>0: A target abort interrupt was not generated when the PCIC is a master</p> <p>1: A target abort interrupt was generated when the PCIC is a master</p> <p>When TADIM bit is write to 0, target target-abort interrupt is cleared. When write to 1, it is not available.</p>
2	MADIM	0	SH: R/WC PCI: R	<p>Master-Abort Interrupt for Master</p> <p>Indicates that transaction was terminated by a master abort when the PCIC is a master</p> <p>0: A master abort interrupt was not generated when the PCIC is a master</p> <p>1: A master abort interrupt was generated when the PCIC is a master</p> <p>When MADIM bit is write to 0, target target-abort interrupt is cleared. When write to 1, it is not available.</p>
1	MWPDI	0	SH: R/WC PCI: R	<p>Master Write $\overline{\text{PERR}}$ Detection Interrupt</p> <p>Indicates that the PCIC received $\overline{\text{PERR}}$ from a target during data write to the target and the PCIC is a master.</p> <p>Note: Master write $\overline{\text{PERR}}$ is detected only when bit 6 (PER) in PCICMD is set to 1.</p> <p>0: A master write $\overline{\text{PERR}}$ detection interrupt was not generated</p> <p>1: A master write $\overline{\text{PERR}}$ detection interrupt was generated</p> <p>When MWPDI bit is write to 0, target target-abort interrupt is cleared. When write to 1, it is not available.</p>

Bit	Bit Name	Initial Value	R/W	Description
0	MRDPEI	0	SH: R/WC PCI: R	<p>Master Read Data Parity Error Interrupt</p> <p>Indicates that the PCIC detected a parity error during data read from the target when the PCIC is a master.</p> <p>Note: A master read data parity error is detected only when bit 6 (PER) in PCICMD is set to 1.</p> <p>0: A master read data parity error interrupt was not generated</p> <p>1: A master read data parity error interrupt was generated</p> <p>When TTADI bit is write to 0, target target-abort interrupt is cleared. When write to 1, it is not available.</p>

(7) PCI Interrupt Mask Register (PCIIMR)

This register is the mask register for PCIIR.

Bit:	31	30	29	28	27	26	25	24	23	22	21	20	19	18	17	16
	—	—	—	—	—	—	—	—	—	—	—	—	—	—	—	—
Initial value:	0	0	0	0	0	0	0	0	0	0	0	0	0	0	0	0
SH R/W:	R	R	R	R	R	R	R	R	R	R	R	R	R	R	R	R
PCI R/W:	R	R	R	R	R	R	R	R	R	R	R	R	R	R	R	R
Bit:	15	14	13	12	11	10	9	8	7	6	5	4	3	2	1	0
	—	TTA DIM	—	—	—	—	TMT OIM	MDE IM	APE DIM	SDIM	DPEI TWM	PEDI TRM	TAD IMM	MAD IMM	MW PDIM	MRD PEIM
Initial value:	0	0	0	0	0	0	0	0	0	0	0	0	0	0	0	0
SH R/W:	R	R/W	R	R	R	R	R/W	R/W	R/W	R/W	R/W	R/W	R/W	R/W	R/W	R/W
PCI R/W:	R	R	R	R	R	R	R	R	R	R	R	R	R	R	R	R

Bit	Bit Name	Initial Value	R/W	Description
31 to 15	—	All 0	SH: R PCI: R	Reserved These bits are always read as 0. The write value should always be 0.
14	TTADIM	0	SH: R/W PCI: R	Target Target-Abort Interrupt Mask 0: TTADI disabled (masked) 1: TTADI enabled (not masked)
13 to 10	—	All 0	SH: R PCI: R	Reserved These bits are always read as 0. The write value should always be 0.
9	TMTOIM	0	SH: R/W PCI: R	Target Retry Time Out Interrupt Mask 0: TMTOI disabled (masked) 1: TMTOI enabled (not masked)
8	MDEIM	0	SH: R/W PCI: R	Master Function Disable Error Interrupt Mask 0: MDEI disabled (masked) 1: MDEI enabled (not masked)
7	APEDIM	0	SH: R/W PCI: R	Address Parity Error Detection Interrupt Mask 0: APEDI disabled (masked) 1: APEDI enabled (not masked)

Bit	Bit Name	Initial Value	R/W	Description
6	SDIM	0	SH: R/W PCI: R	SE \overline{RR} Detection Interrupt Mask 0: SEDI disabled (masked) 1: SEDI enabled (not masked)
5	DPEITWM	0	SH: R/W PCI: R	Data Parity Error Interrupt Mask for Target Write 0: DPEITW disabled (masked) 1: DPEITW enabled (not masked)
4	PEDITRM	0	SH: R/W PCI: R	PE \overline{RR} Detection Interrupt Mask for Target Read 0: PEDITR disabled (masked) 1: PEDITR enabled (not masked)
3	TADIMM	0	SH: R/W PCI: R	Target-Abort Interrupt Mask for Master 0: TADIM disabled (masked) 1: TADIM enabled (not masked)
2	MADIMM	0	SH: R/W PCI: R	Master-Abort Interrupt Mask for Master 0: MADIM disabled (masked) 1: MADIM enabled (not masked)
1	MWPDIM	0	SH: R/W PCI: R	Master Write Data Parity Error Interrupt Mask 0: MWPE \overline{DI} disabled (masked) 1: MWPE \overline{DI} enabled (not masked)
0	MRDPEIM	0	SH: R/W PCI: R	Master Read Data Parity Error Interrupt Mask 0: MRDPE \overline{I} disabled (masked) 1: MRDPE \overline{I} enabled (not masked)

(8) PCI Error Address Information Register (PCIAIR)

This register records PCI address information when an error is detected.

The value of this register is undefined until an interrupt is detected. Regardless of the information on mask registers, etc, the value is retained when an interrupt is detected.

Bit:	31	30	29	28	27	26	25	24	23	22	21	20	19	18	17	16
	AIR															
Initial value:	x	x	x	x	x	x	x	x	x	x	x	x	x	x	x	x
SH R/W:	R	R	R	R	R	R	R	R	R	R	R	R	R	R	R	R
PCI R/W:	R	R	R	R	R	R	R	R	R	R	R	R	R	R	R	R
Bit:	15	14	13	12	11	10	9	8	7	6	5	4	3	2	1	0
	AIR															
Initial value:	x	x	x	x	x	x	x	x	x	x	x	x	x	x	x	x
SH R/W:	R	R	R	R	R	R	R	R	R	R	R	R	R	R	R	R
PCI R/W:	R	R	R	R	R	R	R	R	R	R	R	R	R	R	R	R

Bit	Bit Name	Initial Value	R/W	Description
31 to 0	AIR	H'xxxx xxxx	SH: R PCI: R	Address Log This register retains PCI address information (the states of the AD[31:0] line) when an error occurs.

(9) PCI Error Command Information Register (PCICIR)

This register records the PCI command information when an error is detected.

The value of this register is undefined until an interrupt is detected. Regardless of the information on mask registers, etc, the value is retained when an interrupt is detected.

Bit:	31	30	29	28	27	26	25	24	23	22	21	20	19	18	17	16
	MTEM	—	—	—	—	RW TET	—	—	—	—	—	—	—	—	—	—
Initial value:	x	0	0	0	0	x	0	0	0	0	0	0	0	0	0	0
SH R/W:	R	R	R	R	R	R	R	R	R	R	R	R	R	R	R	R
PCI R/W:	R	R	R	R	R	R	R	R	R	R	R	R	R	R	R	R
Bit:	15	14	13	12	11	10	9	8	7	6	5	4	3	2	1	0
	—	—	—	—	—	—	—	—	—	—	—	ECL				
Initial value:	0	0	0	0	0	0	0	0	0	0	0	0	x	x	x	x
SH R/W:	R	R	R	R	R	R	R	R	R	R	R	R	R	R	R	R
PCI R/W:	R	R	R	R	R	R	R	R	R	R	R	R	R	R	R	R

Bit	Bit Name	Initial Value	R/W	Description
31	MTEM	x	SH: R PCI: R	Master Error Indicates that an error occurred during a master read or a master write transfer 0: No master error 1: Master error occurred
30 to 27	—	All 0	SH: R PCI: R	Reserved These bits are always read as 0. The write value should always be 0.
26	RWTET	x	SH: R PCI: R	Target Error Indicates that an error occurred during a target read or a target write transfer. 0: No target error 1: Target error occurred
25 to 4	—	All 0	SH: R PCI: R	Reserved These bits are always read as 0. The write value should always be 0.
3 to 0	ECL	xxxx	SH: R PCI: R	Command Log These bits retain PCI command information (the state of the C/ \overline{BE} [3:0] line) when an error occurs.

(10) PCI Arbiter Interrupt Register (PCIAINT)

In host mode, this register records interrupt sources. When multiple interrupts occur, only the first source is registered. When an interrupt is disabled, the source is written to the corresponding bit in this register, and, no interrupt occurs.

Bit:	31	30	29	28	27	26	25	24	23	22	21	20	19	18	17	16
	—	—	—	—	—	—	—	—	—	—	—	—	—	—	—	—
Initial value:	0	0	0	0	0	0	0	0	0	0	0	0	0	0	0	0
SH R/W:	R	R	R	R	R	R	R	R	R	R	R	R	R	R	R	R
PCI R/W:	R	R	R	R	R	R	R	R	R	R	R	R	R	R	R	R
Bit:	15	14	13	12	11	10	9	8	7	6	5	4	3	2	1	0
	—	—	MBI	TB TOI	MB TOI	—	—	—	—	—	—	—	TAI	MAI	RD PEI	WD PEI
Initial value:	0	0	0	0	0	0	0	0	0	0	0	0	0	0	0	0
SH R/W:	R	R	R/WC	R/WC	R/WC	R	R	R	R	R	R	R	R/WC	R/WC	R/WC	R/WC
PCI R/W:	R	R	R	R	R	R	R	R	R	R	R	R	R	R	R	R

Bit	Bit Name	Initial Value	R/W	Description
31 to 14	—	All 0	SH: R PCI: R	Reserved These bits are always read as 0. The write value should always be 0.
13	MBI	0	SH: R/WC PCI: R	Master-Broken Interrupt An interrupt is detected when the master that received the bus mastership did not start transaction ($\overline{\text{PCIFRAME}}$ is not asserted) within 16 clock cycles. 0: A master-broken interrupt was not generated 1: A master-broken interrupt was generated
12	TBTOI	0	SH: R/WC PCI: R	Target Bus Time-Out Interrupt An interrupt is detected when $\overline{\text{TRDY}}$ or $\overline{\text{STOP}}$ is not asserted within 16 clock cycles in the first data transfer or 8 clock cycles in the second and subsequent data transfer. 0: A target bus timeout interrupt was not generated 1: A target bus timeout interrupt was generated

Bit	Bit Name	Initial Value	R/W	Description
11	MBTOI	0	SH: R/WC PCI: R	<p>Master Bus Time-Out Interrupt</p> <p>An interrupt is detected when $\overline{\text{IRDY}}$ is not asserted within 8 clock cycles during data transfer.</p> <p>0: A master bus timeout interrupt was not generated 1: A master bus timeout interrupt was generated</p>
10 to 4	—	All 0	SH: R PCI: R	<p>Reserved</p> <p>These bits are always read as 0. The write value should always be 0.</p>
3	TAI	0	SH: R/WC PCI: R	<p>Target-Abort Interrupt</p> <p>Indicates that a transaction was terminated by a target abort when a device other than the PCIC is a bus master.</p> <p>0: A target abort interrupt was not generated 1: A target abort interrupt was generated</p>
2	MAI	0	SH: R/WC PCI: R	<p>Master-Abort Interrupt</p> <p>Indicates that a transaction was terminated by a master abort when a device other than the PCIC is a bus master.</p> <p>0: A master abort interrupt was not generated 1: A master abort interrupt was generated</p>
1	RDPEI	0	SH: R/WC PCI: R	<p>Read Parity Error Interrupt</p> <p>$\overline{\text{PERR}}$ assertion was detected during data read when a device other than the PCIC is a bus master.</p> <p>0: A read parity error interrupt was not generated 1: A read parity error interrupt was generated</p>
0	WDPEI	0	SH: R/WC PCI: R	<p>Write Parity Error Interrupt</p> <p>$\overline{\text{PERR}}$ assertion was detected during data write when a device other than the PCIC is a bus master.</p> <p>0: A write data parity error interrupt was not generated 1: A write data parity error interrupt was generated</p>

(11) PCI Arbiter Interrupt Mask Register (PCIAINTM)

This register is the mask register for PCIAINT.

Bit:	31	30	29	28	27	26	25	24	23	22	21	20	19	18	17	16
	—	—	—	—	—	—	—	—	—	—	—	—	—	—	—	—
Initial value:	0	0	0	0	0	0	0	0	0	0	0	0	0	0	0	0
SH R/W:	R	R	R	R	R	R	R	R	R	R	R	R	R	R	R	R
PCI R/W:	R	R	R	R	R	R	R	R	R	R	R	R	R	R	R	R
Bit:	15	14	13	12	11	10	9	8	7	6	5	4	3	2	1	0
	—	—	MBIM	TBT OIM	MBT OIM	—	—	—	—	—	—	—	TAIM	MAIM	RDP EIM	WDP EIM
Initial value:	0	0	0	0	0	0	0	0	0	0	0	0	0	0	0	0
SH R/W:	R	R	R/WC	R/WC	R/WC	R	R	R	R	R	R	R	R/WC	R/WC	R/WC	R/WC
PCI R/W:	R	R	R	R	R	R	R	R	R	R	R	R	R	R	R	R

Bit	Bit Name	Initial Value	R/W	Description
31 to 14	—	All 0	SH: R PCI: R	Reserved These bits are always read as 0. The write value should always be 0.
13	MBIM	0	SH: R/WC PCI: R	Master-Broken Interrupt Mask 0: MBI disabled (masked) 1: MBI enabled (not masked)
12	TBTOIM	0	SH: R/WC PCI: R	Target Bus Time-Out Interrupt Mask 0: TBTOI disabled (masked) 1: TBTOI enabled (not masked)
11	MBTOIM	0	SH: R/WC PCI: R	Master Bus Time-Out Interrupt Mask 0: MBTOI disabled (masked) 1: MBTOI enabled (not masked)
10 to 4	—	All 0	SH: R PCI: R	Reserved These bits are always read as 0. The write value should always be 0.
3	TAIM	0	SH: R/WC PCI: R	Target-Abort Interrupt Mask 0: TAI disabled (masked) 1: TAI enabled (not masked)

Bit	Bit Name	Initial Value	R/W	Description
2	MAIM	0	SH: R/W PCI: R	Master-Abort Interrupt Mask 0: MAI disabled (masked) 1: MAI enabled (not masked)
1	RDPEIM	0	SH: R/W PCI: R	Read Data Parity Error Interrupt Mask 0: RDPEI disabled (masked) 1: RDPEI enabled (not masked)
0	WDPEIM	0	SH: R/W PCI: R	Write Data Parity Error Interrupt Mask 0: WDPEI disabled (masked) 1: WDPEI enabled (not masked)

(12) PCI Arbiter Bus Master Information Register (PCIBMIR)

In host mode, this register records when the interrupt is generated by PCIAINT. When multiple interrupts occur, only the first source is registered. When an interrupt is disabled, the source is registered in the corresponding bit, and no interrupt occurs.

Bit:	31	30	29	28	27	26	25	24	23	22	21	20	19	18	17	16
	—	—	—	—	—	—	—	—	—	—	—	—	—	—	—	—
Initial value:	0	0	0	0	0	0	0	0	0	0	0	0	0	0	0	0
SH R/W:	R	R	R	R	R	R	R	R	R	R	R	R	R	R	R	R
PCI R/W:	R	R	R	R	R	R	R	R	R	R	R	R	R	R	R	R
Bit:	15	14	13	12	11	10	9	8	7	6	5	4	3	2	1	0
	—	—	—	—	—	—	—	—	—	—	—	REQ3 BME	REQ2 BME	REQ1 BME	REQ0 BME	PCIC BME
Initial value:	0	0	0	0	0	0	0	0	0	0	0	x	x	x	x	x
SH R/W:	R	R	R	R	R	R	R	R	R	R	R	R	R	R	R	R
PCI R/W:	R	R	R	R	R	R	R	R	R	R	R	R	R	R	R	R

Bit	Bit Name	Initial Value	R/W	Description
31 to 5	—	All 0	SH: R PCI: R	Reserved These bits are always read as 0. The write value should always be 0.
4	REQ3BME	x	SH: R PCI: R	REQ3 Error Indicates that an error occurred when the device 3 ($\overline{\text{REQ3}}$) is a bus master 0: No device 3 bus master error occurred 1: A device 3 bus master error occurred
3	REQ2BME	x	SH: R PCI: R	REQ2 Error Indicates that an error occurred when the device 2 ($\overline{\text{REQ2}}$) is a bus master 0: No device 2 bus master error occurred 1: A device 2 bus master error occurred
2	REQ1BME	x	SH: R PCI: R	REQ1 Error Indicates that an error occurred when the device 1 ($\overline{\text{REQ1}}$) is a bus master 0: No device 1 bus master error occurred 1: A device 1 bus master error occurred
1	REQ0BME	x	SH: R PCI: R	REQ0 Error Indicates that an error occurred when the device 0 ($\overline{\text{REQ0}}$) is a bus master 0: No device 0 bus master error occurred 1: A device 0 bus master error occurred
0	PCICBME	x	SH: R PCI: R	PCIC Error Indicates that an error occurred when the PCIC is a bus master. 0: No PCIC bus master error occurred 1: A PCIC bus master error occurred

(13) PCI PIO Address Register (PCIPAR)

Setting this register generates configuration cycles on the PCI bus. For details, see section 13.4.5 (2), Configuration Space Access.

Bit:	31	30	29	28	27	26	25	24	23	22	21	20	19	18	17	16
	CCIE	—	—	—	—	—	—	—	BN							
Initial value:	1	0	0	0	0	0	0	0	x	x	x	x	x	x	x	x
SH R/W:	R	R	R	R	R	R	R	R	R/W	R/W	R/W	R/W	R/W	R/W	R/W	R/W
PCI R/W:	—	—	—	—	—	—	—	—	—	—	—	—	—	—	—	—
Bit:	15	14	13	12	11	10	9	8	7	6	5	4	3	2	1	0
	DN				FN			CRA						—	—	
Initial value:	x	x	x	x	x	x	x	x	x	x	x	x	x	x	0	0
SH R/W:	R/W	R/W	R/W	R/W	R/W	R/W	R/W	R/W	R/W	R/W	R/W	R/W	R/W	R/W	R	R
PCI R/W:	—	—	—	—	—	—	—	—	—	—	—	—	—	—	—	—

Bit	Bit Name	Initial Value	R/W	Description
31	CCIE	1	SH: R PCI: —	Configuration Cycle Issue Enable 0: Indicates that configuration cycle issue is disable 1: —
30 to 24	—	All 0	SH: R PCI: —	Reserved These bits are always read as 0. The write value should always be 0.
23 to 16	BN	H'xx	SH: R/W PCI: —	PCI Bus Number These bits specify a PCI bus number for the configuration access target. The bus number 0 indicates the bus to which the PCIC is connected. A bus number is represented by an 8-bit value in the range from 0 to 255.

Bit	Bit Name	Initial Value	R/W	Description																																				
15 to 11	DN	xxxxx	SH: R/W PCI: —	<p>Device Number</p> <p>These bits specify a device number for the configuration access target. A device number is represented by a 5-bit value in the range from 0 to 31. Corresponding to the device number specified in this field, one of the AD_n (n = 31 to 16) signals is driven high instead of IDSEL (other bits are all low). The following shows the correspondence between the device number and IDSEL. If the device number is H'10 or more, all bits from 31 to 16 of the AD signals are driven low.</p> <table border="0"> <thead> <tr> <th>Device No.</th> <th>IDSEL</th> <th>Device No.</th> <th>IDSEL</th> </tr> </thead> <tbody> <tr> <td>H'0:</td> <td>AD[16] = High</td> <td>H'8:</td> <td>AD[24] = High</td> </tr> <tr> <td>H'1:</td> <td>AD[17] = High</td> <td>H'9:</td> <td>AD[25] = High</td> </tr> <tr> <td>H'2:</td> <td>AD[18] = High</td> <td>H'A:</td> <td>AD[26] = High</td> </tr> <tr> <td>H'3:</td> <td>AD[19] = High</td> <td>H'B:</td> <td>AD[27] = High</td> </tr> <tr> <td>H'4:</td> <td>AD[20] = High</td> <td>H'C:</td> <td>AD[28] = High</td> </tr> <tr> <td>H'5:</td> <td>AD[21] = High</td> <td>H'D:</td> <td>AD[29] = High</td> </tr> <tr> <td>H'6:</td> <td>AD[22] = High</td> <td>H'E:</td> <td>AD[30] = High</td> </tr> <tr> <td>H'7:</td> <td>AD[23] = High</td> <td>H'F:</td> <td>AD[31] = High</td> </tr> </tbody> </table>	Device No.	IDSEL	Device No.	IDSEL	H'0:	AD[16] = High	H'8:	AD[24] = High	H'1:	AD[17] = High	H'9:	AD[25] = High	H'2:	AD[18] = High	H'A:	AD[26] = High	H'3:	AD[19] = High	H'B:	AD[27] = High	H'4:	AD[20] = High	H'C:	AD[28] = High	H'5:	AD[21] = High	H'D:	AD[29] = High	H'6:	AD[22] = High	H'E:	AD[30] = High	H'7:	AD[23] = High	H'F:	AD[31] = High
Device No.	IDSEL	Device No.	IDSEL																																					
H'0:	AD[16] = High	H'8:	AD[24] = High																																					
H'1:	AD[17] = High	H'9:	AD[25] = High																																					
H'2:	AD[18] = High	H'A:	AD[26] = High																																					
H'3:	AD[19] = High	H'B:	AD[27] = High																																					
H'4:	AD[20] = High	H'C:	AD[28] = High																																					
H'5:	AD[21] = High	H'D:	AD[29] = High																																					
H'6:	AD[22] = High	H'E:	AD[30] = High																																					
H'7:	AD[23] = High	H'F:	AD[31] = High																																					
10 to 8	FN	xxx	SH: R/W PCI: —	<p>Function Number</p> <p>These bits specify a function number for the configuration access target. A function number is represented by a 3-bit value in the range from 0 to 7.</p>																																				
7 to 2	CRA	xxxxxx	SH: R/W PCI: —	<p>Configuration Register Address</p> <p>These bits specify a register for the configuration access target on a longword boundary.</p>																																				
1, 0	—	All 0	SH: R PCI: —	<p>Reserved</p> <p>These bits are always read as 0. The write value should always be 0.</p>																																				

(14) PCI Power Management Interrupt Register (PCIPINT)

This register registers power management interrupt sources.

Bit:	31	30	29	28	27	26	25	24	23	22	21	20	19	18	17	16
	—	—	—	—	—	—	—	—	—	—	—	—	—	—	—	—
Initial value:	0	0	0	0	0	0	0	0	0	0	0	0	0	0	0	0
SH R/W:	R	R	R	R	R	R	R	R	R	R	R	R	R	R	R	R
PCI R/W:	—	—	—	—	—	—	—	—	—	—	—	—	—	—	—	—
Bit:	15	14	13	12	11	10	9	8	7	6	5	4	3	2	1	0
	—	—	—	—	—	—	—	—	—	—	—	—	PMD 3H	PMD 2	PMD 1	PMD 0
Initial value:	0	0	0	0	0	0	0	0	0	0	0	0	0	0	0	0
SH R/W:	R	R	R	R	R	R	R	R	R	R	R	R	R/W	R/W	R/W	R/W
PCI R/W:	—	—	—	—	—	—	—	—	—	—	—	—	—	—	—	—

Bit	Bit Name	Initial Value	R/W	Description
31 to 4	—	All 0	SH: R PCI: —	Reserved These bits are always read as 0. The write value should always be 0.
3	PMD3H	0	SH: R/WC PCI: —	PCI Power Management D3H (D3hot) Status Transition Interrupt Indicates that an interrupt to request a transition to the PCI bus power-down mode was generated. 0: No D3H (D3hot) status transition interrupt was generated 1: A D3H (D3hot) status transition interrupt was generated
2	PMD2	0	SH: R/WC PCI: —	PCI Power Management D2 Status Transition Interrupt Indicates that an interrupt to request a transition to the PCI bus power-down mode was generated. 0: No D2 status transition interrupt was generated 1: A D2 status transition interrupt was generated
1	PMD1	0	SH: R/WC PCI: —	PCI Power Management D1 Status Transition Interrupt Indicates that an interrupt to request a transition to the PCI bus power-down mode was generated. 0: No D1 status transition interrupt was generated 1: A D1 status transition interrupt was generated

Bit	Bit Name	Initial Value	R/W	Description
0	PMD0	0	SH: R/W PCI: —	PCI Power Management D0 Status Transition Interrupt Indicates that an interrupt to request a transition to the PCI bus power-down mode was generated. 0: No D0 status transition interrupt was generated 1: A D0 status transition interrupt was generated

(15) PCI Power Management Interrupt Mask Register (PCIPINTM)

This register is the mask register for PCIPINT.

Bit:	31	30	29	28	27	26	25	24	23	22	21	20	19	18	17	16
	—	—	—	—	—	—	—	—	—	—	—	—	—	—	—	—
Initial value:	0	0	0	0	0	0	0	0	0	0	0	0	0	0	0	0
SH R/W:	R	R	R	R	R	R	R	R	R	R	R	R	R	R	R	R
PCI R/W:	—	—	—	—	—	—	—	—	—	—	—	—	—	—	—	—
Bit:	15	14	13	12	11	10	9	8	7	6	5	4	3	2	1	0
	—	—	—	—	—	—	—	—	—	—	—	—	PMD 3HM	PMD 2M	PMD 1M	PMD 0M
Initial value:	0	0	0	0	0	0	0	0	0	0	0	0	0	0	0	0
SH R/W:	R	R	R	R	R	R	R	R	R	R	R	R	R/W	R/W	R/W	R/W
PCI R/W:	—	—	—	—	—	—	—	—	—	—	—	—	—	—	—	—

Bit	Bit Name	Initial Value	R/W	Description
31 to 4	—	All 0	SH: R PCI: —	Reserved These bits are always read as 0. The write value should always be 0.
3	PMD3HM	0	SH: R/W PCI: —	PCI Power Management D3H (D3hot) Status Transition Interrupt Mask 0: PMD3H disabled (masked) 1: PMD3H enabled (not masked)
2	PMD2M	0	SH: R/W PCI: —	PCI Power Management D2 Status Transition Interrupt Mask 0: PMD2 disabled (masked) 1: PMD2 enabled (not masked)

Bit	Bit Name	Initial Value	R/W	Description
1	PMD1M	0	SH: R/W PCI: —	PCI Power Management D1 Status Transition Interrupt Mask 0: PMD1 disabled (masked) 1: PMD1 enabled (not masked)
0	PMD0M	0	SH: R/W PCI: —	PCI Power Management D0 Status Transition Interrupt Mask 0: PMD0 disabled (masked) 1: PMD0 enabled (not masked)

(16) PCI Memory Bank Register 0 (PCIMBR0)

This register specifies the upper 14 bits of the memory space address on the PCI bus for a memory read or write to the PCI memory space 0 by the CPU or DMAC.

See section 13.4.3 (2), Accessing PCI Memory Space.

Bit:	31	30	29	28	27	26	25	24	23	22	21	20	19	18	17	16
	PMSBA0														—	—
Initial value:	0	0	0	0	0	0	0	0	0	0	0	0	0	0	0	0
SH R/W:	R/W	R/W	R/W	R/W	R/W	R/W	R/W	R/W	R/W	R/W	R/W	R/W	R/W	R/W	R	R
PCI R/W:	—	—	—	—	—	—	—	—	—	—	—	—	—	—	—	—
Bit:	15	14	13	12	11	10	9	8	7	6	5	4	3	2	1	0
	—	—	—	—	—	—	—	—	—	—	—	—	—	—	—	—
Initial value:	0	0	0	0	0	0	0	0	0	0	0	0	0	0	0	0
SH R/W:	R	R	R	R	R	R	R	R	R	R	R	R	R	R	R	R
PCI R/W:	—	—	—	—	—	—	—	—	—	—	—	—	—	—	—	—

Bit	Bit Name	Initial Value	R/W	Description
31 to 18	PMSBA0	H'0000	SH: R/W PCI: —	PCI Memory Space 0 Bank Address (14 bits) These bits specify an bank address for the PCI memory space 0 for PIO transfer.
17 to 0	—	All 0	SH: R PCI: —	Reserved These bits are always read as 0. The write value should always be 0.

(17) PCI Memory Bank Mask Register 0 (PCIMBMR0)

This register is the mask register for PCIMBR0. This register specifies the memory space size on the PCI bus for a memory read or write to the PCI memory space 0 by the CPU or DMAC.

See section 13.4.3 (2), Accessing PCI Memory Space.

Bit:	31	30	29	28	27	26	25	24	23	22	21	20	19	18	17	16
	—	—	—	—	—	—	—	—	MSBAM0						—	—
Initial value:	0	0	0	0	0	0	0	0	0	0	0	0	0	0	0	0
SH R/W:	R	R	R	R	R	R	R	R	R/W	R/W	R/W	R/W	R/W	R/W	R	R
PCI R/W:	—	—	—	—	—	—	—	—	—	—	—	—	—	—	—	—
Bit:	15	14	13	12	11	10	9	8	7	6	5	4	3	2	1	0
	—	—	—	—	—	—	—	—	—	—	—	—	—	—	—	—
Initial value:	0	0	0	0	0	0	0	0	0	0	0	0	0	0	0	0
SH R/W:	R	R	R	R	R	R	R	R	R	R	R	R	R	R	R	R
PCI R/W:	—	—	—	—	—	—	—	—	—	—	—	—	—	—	—	—

Bit	Bit Name	Initial Value	R/W	Description
31 to 24	—	All 0	SH: R PCI: —	Reserved These bits are always read as 0. The write value should always be 0.
23 to 18	MSBAM0	000000	SH: R/W PCI: —	PCI Memory Space 0 Bank Address Mask (6 bits) 0000 00: 256 kbytes 0000 01: 512 kbytes 0000 11: 1 Mbyte 0001 11: 2 Mbytes 0011 11: 4 Mbytes 0111 11: 8 Mbytes 1111 11: 16 Mbytes Other than above: Setting prohibited
17 to 0	—	All 0	SH: R PCI: —	Reserved These bits are always read as 0. The write value should always be 0.

(18) PCI Memory Bank Register 1 (PCIMBR1)

This register specifies the upper 14 bits of the memory space address on the PCI bus for a memory read or write to the PCI memory space 1 by the CPU or DMAC.

See section 13.4.3 (2), Accessing PCI Memory Space.

Bit:	31	30	29	28	27	26	25	24	23	22	21	20	19	18	17	16
	PMSBA1														—	—
Initial value:	0	0	0	0	0	0	0	0	0	0	0	0	0	0	0	0
SH R/W:	R/W	R/W	R/W	R/W	R/W	R/W	R/W	R/W	R/W	R/W	R/W	R/W	R/W	R/W	R	R
PCI R/W:	—	—	—	—	—	—	—	—	—	—	—	—	—	—	—	—
Bit:	15	14	13	12	11	10	9	8	7	6	5	4	3	2	1	0
	—	—	—	—	—	—	—	—	—	—	—	—	—	—	—	—
Initial value:	0	0	0	0	0	0	0	0	0	0	0	0	0	0	0	0
SH R/W:	R	R	R	R	R	R	R	R	R	R	R	R	R	R	R	R
PCI R/W:	—	—	—	—	—	—	—	—	—	—	—	—	—	—	—	—

Bit	Bit Name	Initial Value	R/W	Description
31 to 18	PMSBA1	All 0	SH: R/W PCI: —	PCI Memory Space 1 Bank Address (14 bits) These bits specify a bank address for the PCI memory space 1.
17 to 0	—	All 0	SH: R PCI: —	Reserved These bits are always read as 0. The write value should always be 0.

(19) PCI Memory Bank Mask Register 1 (PCIMBMR1)

This register is the mask register for PCIMBMR1. This register specifies the memory space size on the PCI bus for a memory read or write to the PCI memory space 1 by the CPU or DMAC.

See section 13.4.3 (2), Accessing PCI Memory Space.

Bit:	31	30	29	28	27	26	25	24	23	22	21	20	19	18	17	16
	—	—	—	—	—	—	MSBAM1								—	—
Initial value:	0	0	0	0	0	0	0	0	0	0	0	0	0	0	0	0
SH R/W:	R	R	R	R	R	R	R/W	R/W	R/W	R/W	R/W	R/W	R/W	R/W	R	R
PCI R/W:	—	—	—	—	—	—	—	—	—	—	—	—	—	—	—	—
Bit:	15	14	13	12	11	10	9	8	7	6	5	4	3	2	1	0
	—	—	—	—	—	—	—	—	—	—	—	—	—	—	—	—
Initial value:	0	0	0	0	0	0	0	0	0	0	0	0	0	0	0	0
SH R/W:	R	R	R	R	R	R	R	R	R	R	R	R	R	R	R	R
PCI R/W:	—	—	—	—	—	—	—	—	—	—	—	—	—	—	—	—

Bit	Bit Name	Initial Value	R/W	Description
31 to 26	—	All 0	SH: R PCI: —	Reserved These bits are always read as 0. The write value should always be 0.
25 to 18	MSBAM1	All 0	SH: R/W PCI: —	PCI Memory Space 1 Bank Address Mask (8 bits) 00 0000 00: 256 kbytes 00 0000 01: 512 kbytes 00 0000 11: 1 Mbyte 00 0001 11: 2 Mbytes 00 0011 11: 4 Mbytes 00 0111 11: 8 Mbytes 00 1111 11: 16 Mbytes 01 1111 11: 32 Mbytes 11 1111 11: 64 Mbytes Other than above: Setting prohibited
17 to 0	—	All 0	SH: R PCI: —	Reserved These bits are always read as 0. The write value should always be 0.

(20) PCI Memory Bank Register 2 (PCIMBR2)

This register specifies the upper 14 bits of the memory space address on the PCI bus for a memory read or write to the PCI memory space 2 by the CPU or DMAC.

See section 13.4.3 (2), Accessing PCI Memory Space.

Bit:	31	30	29	28	27	26	25	24	23	22	21	20	19	18	17	16
	PMSBA2														—	—
Initial value:	0	0	0	0	0	0	0	0	0	0	0	0	0	0	0	0
SH R/W:	R/W	R/W	R/W	R/W	R/W	R/W	R/W	R/W	R/W	R/W	R/W	R/W	R/W	R/W	R	R
PCI R/W:	—	—	—	—	—	—	—	—	—	—	—	—	—	—	—	—
Bit:	15	14	13	12	11	10	9	8	7	6	5	4	3	2	1	0
	—	—	—	—	—	—	—	—	—	—	—	—	—	—	—	—
Initial value:	0	0	0	0	0	0	0	0	0	0	0	0	0	0	0	0
SH R/W:	R	R	R	R	R	R	R	R	R	R	R	R	R	R	R	R
PCI R/W:	—	—	—	—	—	—	—	—	—	—	—	—	—	—	—	—

Bit	Bit Name	Initial Value	R/W	Description
31 to 18	PMSBA2	All 0	SH: R/W PCI: —	PCI Memory Space 2 Bank Address (14 bits) These bits specify a bank address for the PCI memory space 2.
17 to 0	—	All 0	SH: R PCI: —	Reserved These bits are always read as 0. The write value should always be 0.

(21) PCI Memory Bank Mask Register 2 (PCIMBMR2)

This register is the mask register for PCIMBR2. This register specifies the memory space size on the PCI bus for a memory read or write to the PCI memory space 2 by the CPU or DMAC.

See section 13.4.3 (2), Accessing PCI Memory Space.

Bit:	31	30	29	28	27	26	25	24	23	22	21	20	19	18	17	16
	—			MSBAM2											—	—
Initial value:	0	0	0	0	0	0	0	0	0	0	0	0	0	0	0	0
SH R/W:	R	R	R	R/W	R/W	R/W	R/W	R/W	R/W	R/W	R/W	R/W	R/W	R/W	R	R
PCI R/W:	—	—	—	—	—	—	—	—	—	—	—	—	—	—	—	—
Bit:	15	14	13	12	11	10	9	8	7	6	5	4	3	2	1	0
	—															
Initial value:	0	0	0	0	0	0	0	0	0	0	0	0	0	0	0	0
SH R/W:	R	R	R	R	R	R	R	R	R	R	R	R	R	R	R	R
PCI R/W:	—	—	—	—	—	—	—	—	—	—	—	—	—	—	—	—

Bit	Bit Name	Initial Value	R/W	Description
31 to 29	—	All 0	SH: R PCI: —	Reserved These bits are always read as 0. The write value should always be 0.
28 to 18	MSBAM2	All 0	SH: R/W PCI: —	PCI Memory Space 2 Bank Address Mask (11 bits) 0 0000 0000 00: 256 kbytes 0 0000 0000 01: 512 kbytes 0 0000 0000 11: 1 Mbyte 0 0000 0001 11: 2 Mbytes 0 0000 0011 11: 4 Mbytes 0 0000 0111 11: 8 Mbytes 0 0000 1111 11: 16 Mbytes 0 0001 1111 11: 32 Mbytes 0 0011 1111 11: 64 Mbytes 0 0111 1111 11: 128 Mbytes 0 1111 1111 11: 256 Mbytes 1 1111 1111 11: 512 Mbytes Other than above: Setting prohibited
17 to 0	—	All 0	SH: R PCI: —	Reserved These bits are always read as 0. The write value should always be 0.

(22) PCI I/O Bank Register (PCIIOBR)

This register specifies the upper 14 bits of the I/O space address on the PCI bus for an I/O-read or I/O-write to the PCI I/O space by the CPU or DMAC.

See section 13.4.3 (3), Accessing PCI I/O Space.

Bit:	31	30	29	28	27	26	25	24	23	22	21	20	19	18	17	16
	PIOSBA														—	—
Initial value:	0	0	0	0	0	0	0	0	0	0	0	0	0	0	0	0
SH R/W:	R/W	R/W	R/W	R/W	R/W	R/W	R/W	R/W	R/W	R/W	R/W	R/W	R/W	R/W	R	R
PCI R/W:	—	—	—	—	—	—	—	—	—	—	—	—	—	—	—	—
Bit:	15	14	13	12	11	10	9	8	7	6	5	4	3	2	1	0
	—	—	—	—	—	—	—	—	—	—	—	—	—	—	—	—
Initial value:	0	0	0	0	0	0	0	0	0	0	0	0	0	0	0	0
SH R/W:	R	R	R	R	R	R	R	R	R	R	R	R	R	R	R	R
PCI R/W:	—	—	—	—	—	—	—	—	—	—	—	—	—	—	—	—

Bit	Bit Name	Initial Value	R/W	Description
31 to 18	PIOSBA	All 0	SH: R/W PCI: —	PCI I/O Space Bank Address (14 bits) These bits specify a bank register for the PCI I/O space.
17 to 0	—	All 0	SH: R PCI: —	Reserved These bits are always read as 0. The write value should always be 0.

(23) PCI I/O Bank Mask Register (PCIIOBMR)

This register is the mask register for PCIIOBR. This register specifies the I/O space size on the PCI bus for an I/O-read or I/O-write to the PCI I/O space by the CPU or DMAC.

See section 13.4.3 (3), Accessing PCI I/O Space.

Bit:	31	30	29	28	27	26	25	24	23	22	21	20	19	18	17	16
	—	—	—	—	—	—	—	—	—	—	—	IOBAM			—	—
Initial value:	0	0	0	0	0	0	0	0	0	0	0	0	0	0	0	0
SH R/W:	R	R	R	R	R	R	R	R	R	R	R	R/W	R/W	R/W	R	R
PCI R/W:	—	—	—	—	—	—	—	—	—	—	—	—	—	—	—	—
Bit:	15	14	13	12	11	10	9	8	7	6	5	4	3	2	1	0
	—	—	—	—	—	—	—	—	—	—	—	—	—	—	—	—
Initial value:	0	0	0	0	0	0	0	0	0	0	0	0	0	0	0	0
SH R/W:	R	R	R	R	R	R	R	R	R	R	R	R	R	R	R	R
PCI R/W:	—	—	—	—	—	—	—	—	—	—	—	—	—	—	—	—

Bit	Bit Name	Initial Value	R/W	Description
31 to 21	—	All 0	SH: R PCI: —	Reserved These bits are always read as 0. The write value should always be 0.
20 to 18	IOBAM	All 0	SH: R/W PCI: —	PCI I/O Space Bank Address Mask (3 bits) 000: 256 kbytes 001: 512 kbytes 011: 1 Mbyte 111: 2 Mbytes Other than above: Setting prohibited
17 to 0	—	All 0	SH: R PCI: —	Reserved These bits are always read as 0. The write value should always be 0.

(24) PCI Cache Snoop Control Register 0 (PCICSCR0)

An external PCI device can access memory of this LSI via the PCIC. When an PCI device accesses a cacheable area, the PCIC can issue cache snoop commands to the on-chip caches. This register can specify the function that uses PCICSAR0. For details, see section 13.4.4 (7), Cache Coherency.

Bit:	31	30	29	28	27	26	25	24	23	22	21	20	19	18	17	16
	—	—	—	—	—	—	—	—	—	—	—	—	—	—	—	—
Initial value:	0	0	0	0	0	0	0	0	0	0	0	0	0	0	0	0
SH R/W:	R	R	R	R	R	R	R	R	R	R	R	R	R	R	R	R
PCI R/W:	—	—	—	—	—	—	—	—	—	—	—	—	—	—	—	—
Bit:	15	14	13	12	11	10	9	8	7	6	5	4	3	2	1	0
	—	—	—	—	—	—	—	—	—	—	—	RANGE			SNPMD	
Initial value:	0	0	0	0	0	0	0	0	0	0	0	0	0	0	0	0
SH R/W:	R	R	R	R	R	R	R	R	R	R	R	R/W	R/W	R/W	R/W	R/W
PCI R/W:	—	—	—	—	—	—	—	—	—	—	—	—	—	—	—	—

Bit	Bit Name	Initial Value	R/W	Description
31 to 5	—	All 0	SH: R PCI: —	Reserved These bits are always read as 0. The write value should always be 0.
4 to 2	RANGE	All 0	SH: R/W PCI: —	Address Range to be Compared These bits specify the address range of PCICSAR0 to be compared. 000: Compared with PCICSAR0.CADR[31:12] (4 kbytes) 001: Compared with PCICSAR0.CADR[31:16] (64 kbytes) 010: Compared with PCICSAR0.CADR[31:20] (1 Mbyte) 011: Compared with PCICSAR0.CADR[31:24] (16 Mbytes) 100: Compared with PCICSAR0.CADR[31:25] (32 Mbytes) 101: Compared with PCICSAR0.CADR[31:26] (64 Mbytes) 110: Compared with PCICSAR0.CADR[31:27] (128 Mbytes) 111: Compared with PCICSAR0.CADR[31:28] (256 Mbytes) Valid only when PCICSCR0.SNPMD = 10 or 11.

Bit	Bit Name	Initial Value	R/W	Description
1, 0	SNPMD	All 0	SH: R/W PCI: —	<p>Snoop Mode for PCICSAR0</p> <p>These bits specify whether PCICSAR0 is compared with the SuperHyway bus address requested by an external device, or not. When PCICSAR0 is specified to be compared, a condition to issue snoop commands can be specified.</p> <p>00: PCICSAR0 is not compared 01: Reserved (setting prohibited) 10: PCICSAR0 is compared. If the address matches PCICSAR0 in the range, snoop commands are not issued. If not, snoop commands are issued. 11: PCICSAR0 is compared. If the address matches PCICSAR0 in the range, snoop commands are issued. If not, snoop commands are not issued.</p>

(25) PCI Cache Snoop Control Register 1 (PCICSCR1)

An external device can access memory of this LSI via the PCIC. When an PCI device accesses a cacheable area, the PCIC can issue cache snoop commands to the on-chip caches. This register can specify the function that uses PCICSAR1. For details, see section 13.4.4 (7), Cache Coherency.

Bit:	31	30	29	28	27	26	25	24	23	22	21	20	19	18	17	16
	—	—	—	—	—	—	—	—	—	—	—	—	—	—	—	—
Initial value:	0	0	0	0	0	0	0	0	0	0	0	0	0	0	0	0
SH R/W:	R	R	R	R	R	R	R	R	R	R	R	R	R	R	R	R
PCI R/W:	—	—	—	—	—	—	—	—	—	—	—	—	—	—	—	—
Bit:	15	14	13	12	11	10	9	8	7	6	5	4	3	2	1	0
	—	—	—	—	—	—	—	—	—	—	—	RANGE			SNPMD	
Initial value:	0	0	0	0	0	0	0	0	0	0	0	0	0	0	0	0
SH R/W:	R	R	R	R	R	R	R	R	R	R	R	R/W	R/W	R/W	R/W	R/W
PCI R/W:	—	—	—	—	—	—	—	—	—	—	—	—	—	—	—	—

Bit	Bit Name	Initial Value	R/W	Description
31 to 5	—	All 0	SH: R PCI: —	Reserved These bits are always read as 0. The write value should always be 0.
4 to 2	RANGE	All 0	SH: R/W PCI: —	Address Range to be Compared These bits specify the address range of PCICSAR1 to be compared. 000: Compared with PCICSAR1.CADR[31:12] (4 kbytes) 001: Compared with PCICSAR1.CADR[31:16] (64 kbytes) 010: Compared with PCICSAR1.CADR[31:20] (1 Mbyte) 011: Compared with PCICSAR1.CADR[31:24] (16 Mbytes) 100: Compared with PCICSAR1.CADR[31:25] (32 Mbytes) 101: Compared with PCICSAR1.CADR[31:26] (64 Mbytes) 110: Compared with PCICSAR1.CADR[31:27] (128 Mbytes) 111: Compared with PCICSAR1.CADR[31:28] (256 Mbytes) Valid only when PCICSCR1.SNPMD = 10 or 11.
1, 0	SNPMD	All 0	SH: R/W PCI: —	Snoop Mode for PCICSAR1 These bits specify whether PCICSAR1 is compared with the SuperHyway bus address requested by an external device, or not. When PCICSAR1 is specified to be compared, a condition to issue snoop commands can be specified. 00: PCICSAR1 not compared 01: Reserved (setting prohibited) 10: PCICSAR1 is compared. If the address matches PCICSAR1 in the range, snoop commands are not issued. If not, snoop commands are issued. 11: PCICSAR1 is compared. If the address matches PCICSAR1 in the range, snoop commands are issued. If not, snoop commands are not issued.

(26) PCI Cache Snoop Address Register 0 (PCICSAR0)

This register specifies the address to be compared with the PCI address requested by an external PCI device to the PCIC. For details, see section 13.4.4 (7), Cache Coherency.

Bit:	31	30	29	28	27	26	25	24	23	22	21	20	19	18	17	16
	CADR															
Initial value:	0	0	0	0	0	0	0	0	0	0	0	0	0	0	0	0
SH R/W:	R/W	R/W	R/W	R/W	R/W	R/W	R/W	R/W	R/W	R/W	R/W	R/W	R/W	R/W	R/W	R/W
PCI R/W:	R/W	R/W	R/W	R/W	R/W	R/W	R/W	R/W	R/W	R/W	R/W	R/W	R/W	R/W	R/W	R/W
Bit:	15	14	13	12	11	10	9	8	7	6	5	4	3	2	1	0
	CADR															
Initial value:	0	0	0	0	0	0	0	0	0	0	0	0	0	0	0	0
SH R/W:	R/W	R/W	R/W	R/W	R/W	R/W	R/W	R/W	R/W	R/W	R/W	R/W	R/W	R/W	R/W	R/W
PCI R/W:	R/W	R/W	R/W	R/W	R/W	R/W	R/W	R/W	R/W	R/W	R/W	R/W	R/W	R/W	R/W	R/W

Bit	Bit Name	Initial Value	R/W	Description
31 to 0	CADR	H'0000 0000	SH: R/W PCI: R/W	Address to be Compared This register specifies the address to be compared with the SuperHyway bus address that is requested by an external device to the PCI

(27) PCI Cache Snoop Address Register 1 (PCIC SAR1)

This register specifies the address to be compared with the PCI address requested by an external PCI device to the PCIC. For details, see section 13.4.4 (7), Cache Coherency.

Bit:	31	30	29	28	27	26	25	24	23	22	21	20	19	18	17	16
	CADR															
Initial value:	0	0	0	0	0	0	0	0	0	0	0	0	0	0	0	0
SH R/W:	R/W	R/W	R/W	R/W	R/W	R/W	R/W	R/W	R/W	R/W	R/W	R/W	R/W	R/W	R/W	R/W
PCI R/W:	R/W	R/W	R/W	R/W	R/W	R/W	R/W	R/W	R/W	R/W	R/W	R/W	R/W	R/W	R/W	R/W
Bit:	15	14	13	12	11	10	9	8	7	6	5	4	3	2	1	0
	CADR															
Initial value:	0	0	0	0	0	0	0	0	0	0	0	0	0	0	0	0
SH R/W:	R/W	R/W	R/W	R/W	R/W	R/W	R/W	R/W	R/W	R/W	R/W	R/W	R/W	R/W	R/W	R/W
PCI R/W:	R/W	R/W	R/W	R/W	R/W	R/W	R/W	R/W	R/W	R/W	R/W	R/W	R/W	R/W	R/W	R/W

Bit	Bit Name	Initial Value	R/W	Description
31 to 0	CADR	H'0000 0000	SH: R/W PCI: R/W	Address to be Compared This register specifies the address to be compared with the SuperHyway bus address that is requested by an external device to the PCI

(28) PCI PIO Data Register (PCIPDR)

By reading or writing to this register, a configuration cycle is generated on the PCI bus. For details, see section 13.4.5 (2), Configuration Space Access.

Bit:	31	30	29	28	27	26	25	24	23	22	21	20	19	18	17	16
	PDR															
Initial value:	x	x	x	x	x	x	x	x	x	x	x	x	x	x	x	x
SH R/W:	R/W	R/W	R/W	R/W	R/W	R/W	R/W	R/W	R/W	R/W	R/W	R/W	R/W	R/W	R/W	R/W
PCI R/W:	—	—	—	—	—	—	—	—	—	—	—	—	—	—	—	—
Bit:	15	14	13	12	11	10	9	8	7	6	5	4	3	2	1	0
	PDR															
Initial value:	x	x	x	x	x	x	x	x	x	x	x	x	x	x	x	x
SH R/W:	R/W	R/W	R/W	R/W	R/W	R/W	R/W	R/W	R/W	R/W	R/W	R/W	R/W	R/W	R/W	R/W
PCI R/W:	—	—	—	—	—	—	—	—	—	—	—	—	—	—	—	—

Bit	Bit Name	Initial Value	R/W	Description
31 to 0	PDR	H'xxxx xxxx	SH: R/W PCI: —	PCI PIO Data Register By reading or writing to this register, a configuration cycle is generated on the PCI bus.

13.4 Operation

13.4.1 Supported PCI Commands

Table 13.4 Supported PCI Commands

C/$\overline{\text{BE}}$[3:0]	Commands	PCI Master	PCI Target
0000	Interrupt acknowledge cycle	No	—
0001	Special cycle	Yes* ¹	—
0010	I/O read	Yes	Yes* ²
0011	I/O write	Yes	Yes* ²
0100	Reserved	—	—
0101	Reserved	—	—
0110	Memory read	Yes	Yes
0111	Memory write	Yes	Yes
1000	Reserved	—	—
1001	Reserved	—	—
1010	Configuration read	Yes* ¹	Yes
1011	Configuration write	Yes* ¹	Yes
1100	Memory read multiple	No	Partially yes* ³
1101	Dual address cycle	No	No
1110	Memory read line	No	Partially yes* ³
1111	Memory write and invalidate	No	Partially yes* ⁴

Legend:

Yes: Supported

Partially yes: Supported with conditions

No: Not supported

—: Not respond

- Notes:
1. Only host mode supported
 2. Only single transfer
 3. Operate as the memory read command
 4. Operate as the memory write command

13.4.2 PCIC Initialization

After a power-on reset, the ENBL bit in PCIECR and the CFINIT bit in PCICR are cleared. At this time, if the PCIC operates as the PCI bus host (host mode), device arbitration is not performed on the PCI bus, and the bus mastership is always granted to the PCIC. When the PCIC does not operate as host (normal mode), access from an external PCI device connected to the PCI bus is not accepted, and retries are returned to the PCI bus. In addition, all accesses to the PCIC from the CPU are invalid except the access to PCIECR (a write access is invalid and a read access will read 0), and read or write accesses to each register and the PCI bus is not executed.

To initialize the PCIC, follow the procedures below.

1. Set the ENBL bit in PCIECR to 1.
2. Initialize the PCI configuration register and PCI local register in the PCIC (while the CFINIT bit is cleared to 0).
3. Set the CFINT bit in PCICR to 1.

On completion of initialization of the registers, set the CFINIT bit to 1. Then, arbitration is enabled in host mode, and the access from the PCI bus can be accepted in normal mode.

Whether the PCIC is in host mode or normal mode, external PCI devices cannot be accessed from the PCIC while the CFINIT bit is being cleared. Set the CFINIT bit to 1 before accessing an external PCIC device.

Be sure to initialize the following registers while the CFINIT bit is being cleared (before setting to 1): PCICMD, PCISTATUS, PCISVID, PCISID, PCILSR0, PCILSR1, PCILAR0 and PCILAR1.

13.4.3 Master Access

This section describes how software controls the PCI when the PCIC is a bus master. This section describes the cases where the PCIC is used in both host mode and normal mode.

(1) Address Map

Table 13.5 shows the PCIC address map.

Table 13.5 PCIC Address Map

Memory Space	Address		Physical Address Size
	29-Bit Address Mode* ¹	32-Bit Address Extended Mode* ¹	
PCI memory space 1 (Area 4: PCI selected* ²)	H'1000 0000 to H'13FF FFFF	H'1000 0000 to H'13FF FFFF	64 Mbytes
PCI memory space 2 (Only 32-bit address extended mode* ¹)	—	H'C000 0000 to H'DFFF FFFF	512 Mbytes
PCI memory space 0	H'FD00 0000 to H'FDFF FFFF	H'FD00 0000 to H'FDFF FFFF	16 Mbytes
Control register space	H'FE00 0000 to H'FE03 FFFF	H'FE00 0000 to H'FE03 FFFF	256 Kbytes
PCIC internal register	H'FE04 0000 to H'FE07 FFFF	H'FE04 0000 to H'FE07 FFFF	256 Kbytes
Reserved	H'FE08 0000 to H'FE1F FFFF	H'FE08 0000 to H'FE1F FFFF	1.5 Mbytes
PCI I/O space	H'FE20 0000 to H'FE3F FFFF	H'FE20 0000 to H'FE3F FFFF	2 Mbytes

Notes: 1. Please see MMU about 29/32bit address mode

2. Please see LBSC.

The PCIC has four types of address space (six types, physically). They are PCI memory (three types), the control register space, PCIC internal control register (PCI configuration registers and PCI local registers) spaces, and I/O space.

(2) Accessing PCI Memory Space

Figure 13.2 shows the memory map from the SuperHyway bus to the PCI bus.

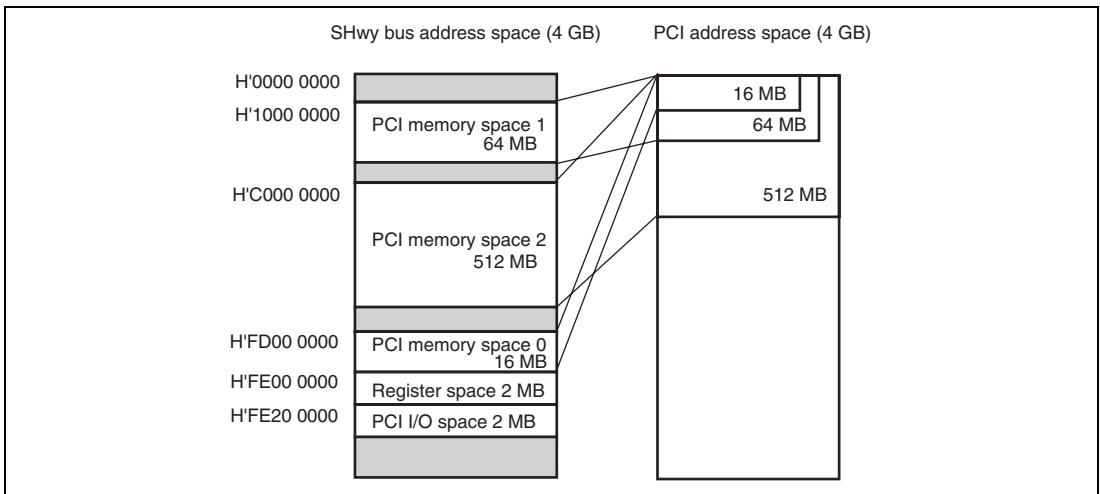


Figure 13.2 Memory Map from SuperHyway Bus to PCI Bus

To access the PCI memory space, use PCIMBR and PCIMBMR. These registers can allocate address space ranging from 16 Mbytes to 512 Mbytes. PCI addresses can be allocated to by software.

Burst transfers are supported for memory transfers.

Consecutive 32-byte burst accesses from the CPU or DMAC result in a burst transfer of 32 bytes or more (64 bytes, 96 bytes, etc.) on the PCI bus.

The PCI memory spaces are allocated from H'FD00 0000 to H'FDFF FFFF for PCI memory space 0 (16 Mbytes), H'1000 0000 to H'13FF FFFF for PCI memory space 1 (64 Mbytes, selection of the PCIC and LBSC spaces), and H'C000 0000 to H'DFFF FFFF for PCI memory space 2 (512 Mbytes, available only in 32-bit address extended mode).

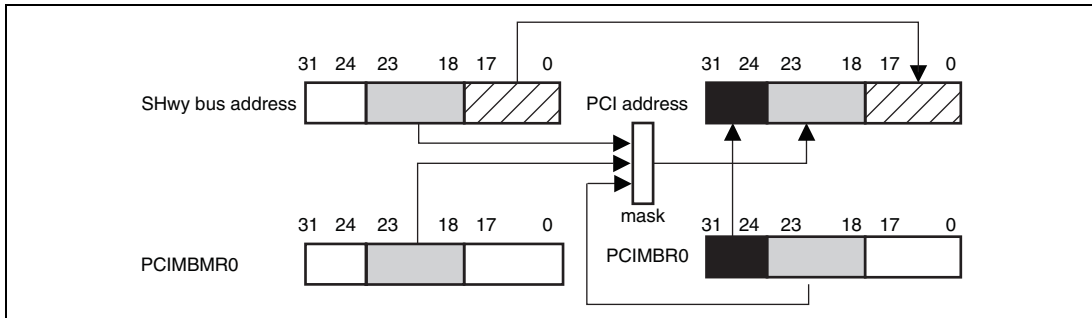
Address translation from the SuperHyway bus to PCI local bus is shown below.

The lower 15 bits ([17:3]) of a SuperHyway bus address are sent without translation.

For PCI memory space 0, the middle six bits ([23:18]) are controlled by PCIMBMR0.

- PCIMBMR0 [23:18] B'1111 11: PCI address [23:18] = SuperHyway bus address [23:18]
- PCIMBMR0 [23:18] B'0000 00: PCI address [23:18] = PCIMBR0 [23:18]

The upper eight bits ([31:24]) of a SuperHyway bus address are replaced with bits 31 to 24 in PCIMBR0.

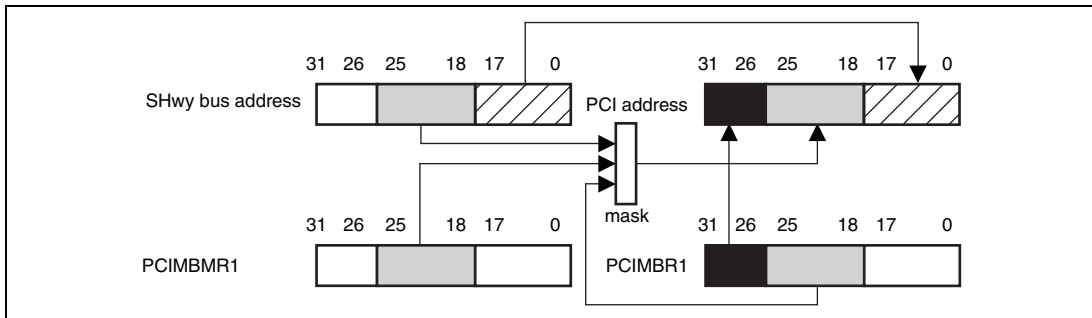


**Figure 13.3 Access from SuperHyway Bus to PCI Memory (PCI Bus)
(PCI Memory Space 0)**

For PCI memory space 1 accesses, the middle eight bits ([25:18]) are controlled by PCIMBMR1.

- PCIMBMR1 [25:18] B'11 1111 11: PCI address [25:18] = SuperHyway bus address [25:18]
- PCIMBMR1 [25:18] B'00 0000 00: PCI address [25:18] = PCIMBR1 [25:18]

The upper six bits ([31:26]) of a SuperHyway bus address are replaced with bits 31 to 26 in PCIMBR1.

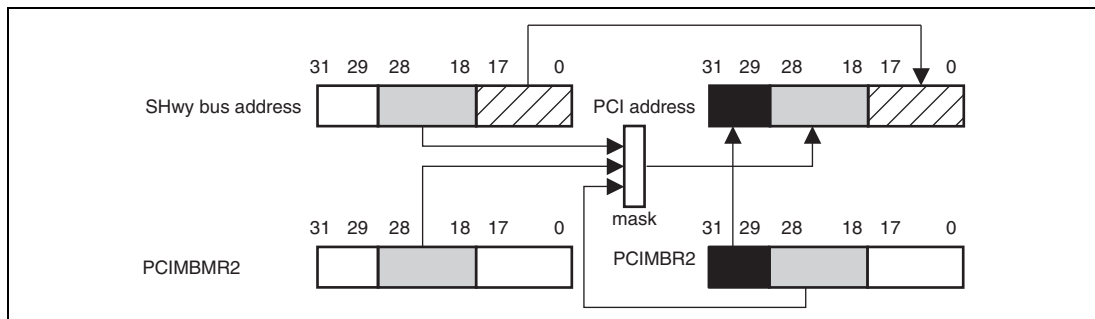


**Figure 13.4 Access from SuperHyway Bus to PCI Memory (PCI Bus)
(PCI Memory Space 1)**

For PCI memory space 2 accesses, the middle eleven bits ([28:18]) are controlled by PCIMBMR2.

- PCIMBMR2 [28:18] B'1 1111 1111 11: PCI address [28:18] = SuperHyway bus address [28:18]
- PCIMBMR2 [28:18] B'0 0000 0000 00: PCI address [28:18] = PCIMBR2 [28:18]

The upper three bits ([31:29]) of a SuperHyway bus address are replaced with bits 31 to 29 in PCIMBR2.



**Figure 13.5 Access from SuperHyway Bus to PCI Memory (PCI Bus)
(PCI Memory Space 2)**

(3) Accessing PCI I/O Space

Burst transfers are not supported in I/O transfers. Access within the size of 4-byte.

The PCI I/O address space is allocated from H'FD20 0000 to H'FE3F FFFF (2 Mbytes).

Address translation from SuperHyway bus to PCI local bus is shown below.

The lower 15 bits ([17:3]) of a SuperHyway bus address are sent without translation.

The middle bits ([20:18]) of a SuperHyway bus address are controlled by PCIIOBMR.

- PCIIOMR0 [20:18] B'111: PCI address [20:18] = SuperHyway bus address [20:18]
- PCIIOMR0 [20:18] B'000: PCI address [20:18] = PCIIOBR [20:18]

The upper eleven bits ([31:21]) of a SuperHyway bus address are replaced with bits 31 to 21 in PCIIOBR.

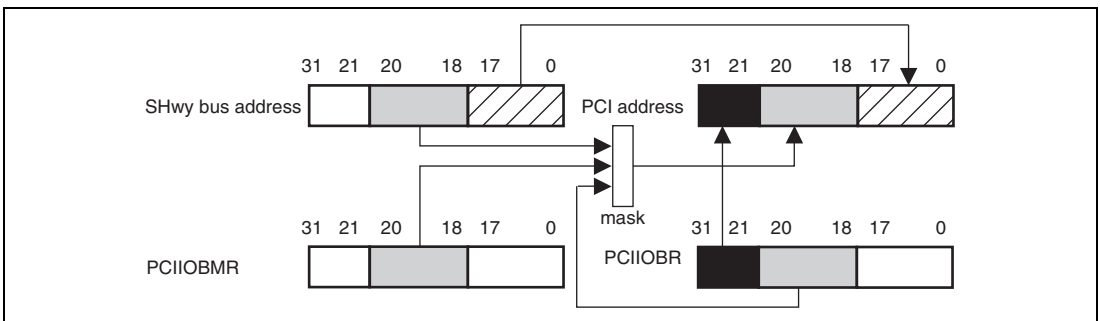


Figure 13.6 Access from SuperHyway Bus to PCI I/O Space (PCI Bus)

(4) Accessing Internal Registers of This LSI

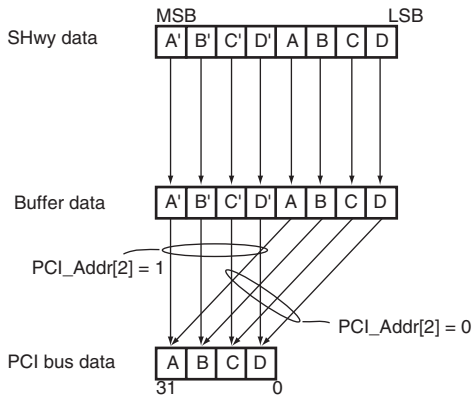
All internal registers, that is, PCIECR, PCI configuration registers, and PCI local registers can be accessed through the CPU. 4-byte, 2-byte, and 1-byte transmission are supported.

(5) Endian

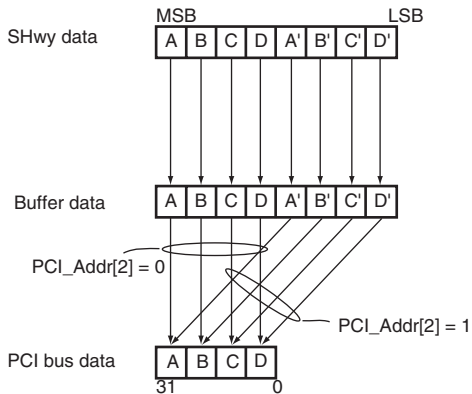
The PCIC in this LSI supports both the big endian and little endian formats. Since the PCI bus supports little endian, the PCIC supports both byte swapping and non-byte swapping.

The endian format setting is specified by the TBS bit in PCICR.

1. Little endian



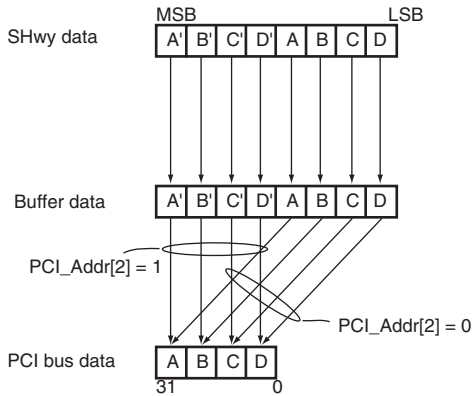
2. Big endian



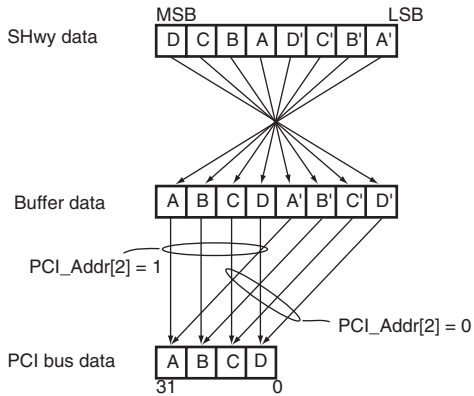
Note: PCIAddr[2]: PCI bus AD[2]

**Figure 13.7 Endian Conversion from SuperHyway Bus to PCI Bus
(Non-Byte Swapping: TBS = 0)**

1. Little endian



2. Big endian



Note: PCIAddr[2]: PCI bus AD[2]

Figure 13.8 Endian Conversion from SuperHyway Bus to PCI Local Bus (Byte Swapping: TBS = 1)

Size	SHwy bus		PCI bus		
	Address	Data	Big-endian CPU		Little-endian CPU
			Data (without swapping)	Data (with swapping)	
Byte	4n + 0				
	4n + 1				
	4n + 2				
	4n + 3				
Word	4n + 0				
	4n + 2				
long-word	4n + 0				

Figure 13.9 Data Alignments for SuperHyway Bus and PCI Bus

13.4.4 Target Access

This section describes how the PCIC in this LSI is accessed by an external PCI local bus master when the PCIC is used in both the host mode and normal mode.

(1) Accessing Memory Space in This LSI

Accesses to the PCIC in this LSI by an external PCI bus master are described below.

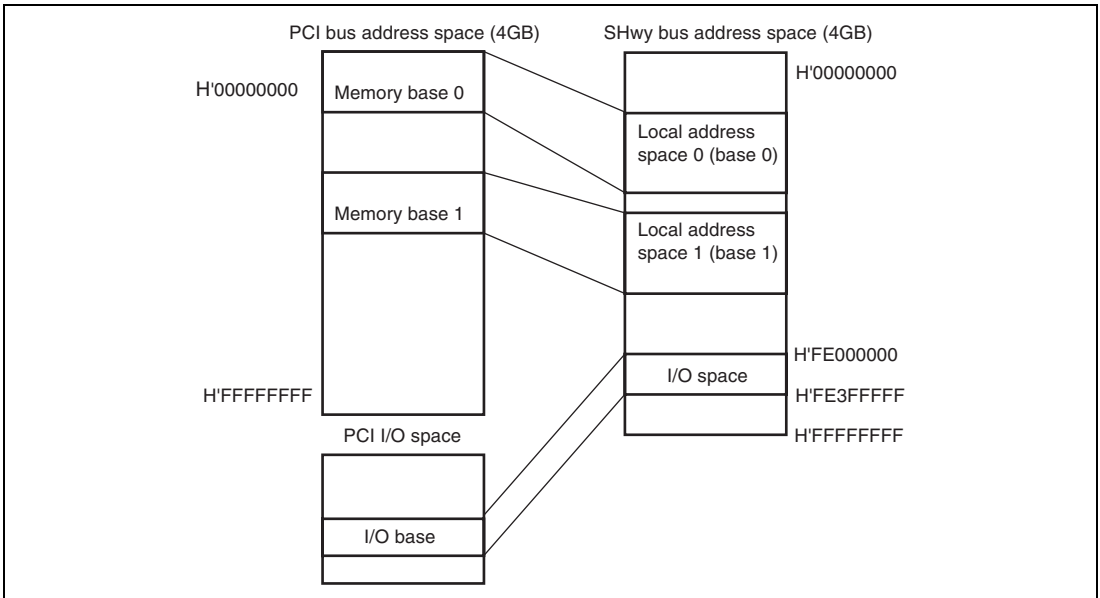


Figure 13.10 Memory Map from PCI Bus to SuperHyway Bus

To access the address space in this LSI, use PCIMBAR0/1, PCILSR0/1, and PCILAR0/1. PCI addresses can be allocated to by software. The PCIC has two types of registers for memory mapping, Local Address Space 0 (base 0) and Local Address Space 1 (base 1).

By setting these two registers, two types of spaces (bases) can be allocated.

The size of these address spaces are selectable from 1 Mbyte to 512 Mbytes by PCILSR0/1.

Single-longword (32 bits) and burst transfers on the PCI bus are supported for PCI target memory transfers.

For details of accesses to PCIC internal registers (PCI configuration registers and PCI local registers), see after-mentioned description for configuration access and access to I/O space.

A certain range of the address space on the PCI bus corresponds to the local address space in the internal bus address space. The local address space 0 in this LSI is controlled by PCIMBAR0, PCILSR0 and PCILAR0. The local address space 1 is controlled by PCIMBAR1, PCILSR1 and PCILAR1. Figure 13.11 shows the address translation from the PCI bus to the SuperHyway bus in this LSI.

PCIMBAR indicates the start address of the PCI bus memory space used by an external PCI device. PCILAR indicates the start address of the local address space for this LSI. PCILSR indicates the size of the address space used by an external PCI device.

For PCIMBAR and PCILAR, the upper address bits that are higher than the memory size set in PCILSR becomes valid. The upper bits in PCIMBAR and the PCI address output from an external PCI device are compared to determine whether the PCIC is accessed. If these addresses match, an access to the PCIC is recognized, and a local address is generated from the upper bits in PCILAR and the lower bits of the PCI address output from the external PCI device. A PCI command (memory read/write) is executed for this address. If the upper bits of the PCI address output from the external PCI device does not match the upper bits of PCIMBAR, the PCIC does not respond to a PCI command.

The PCIC supports data prefetching for a memory read command. When burst read is performed on the PCI bus, data is prefetched in block units of 8 bytes or 32 bytes (set by PCICR.PFCS and PCICR.PFE).

When all the MBARE bits in PCILSR0/1 are 0, a PCI bus address is transferred to the internal bus without translation.

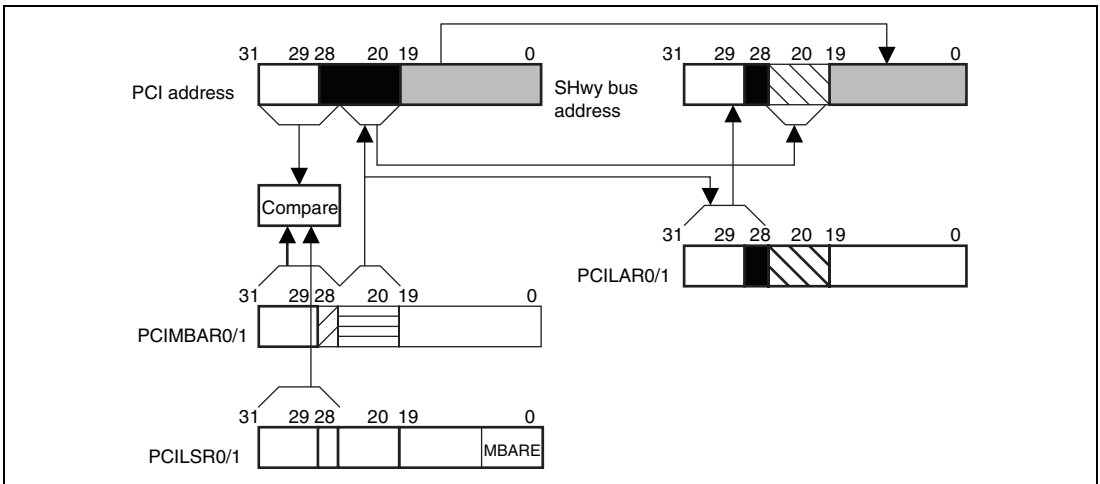


Figure 13.11 PCI Bus to SuperHyway Bus Address Translation

(2) Accessing PCIC I/O Space

The PCI I/O address space should be allocated as 256 bytes.

The lower eight bits ([7:0]) are sent to the internal bus without translation.

When bits 31 to 8 of a PCI address match bits 31 to 8 of PCIBAR, the upper 24 bits are replaced with H'FE04 01 and a PCI local register is accessed.

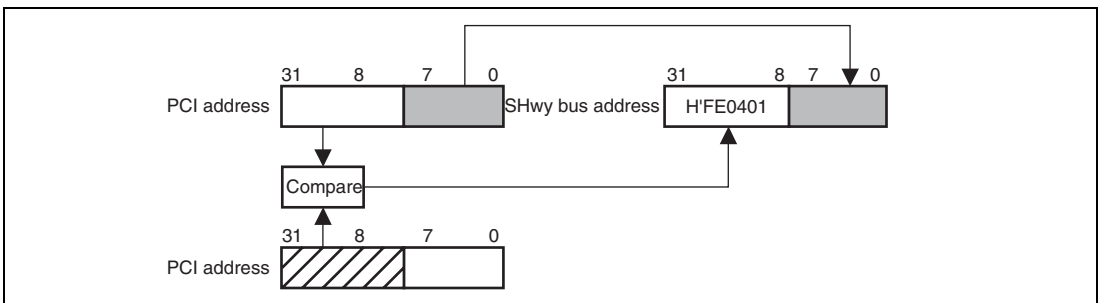


Figure 13.12 I/O Access from PCI Bus to SuperHyway Bus

(3) Accessing PCIC Registers

Configuration Registers: Configuration registers should be read or written with (offset from configuration register space base address) by configuration accesses. A burst transfer is cut off and terminated.

Local Registers: Local registers should be accessed with (PCI address + offset) using I/O read or write commands. Only a single longword access is supported. A burst transfer is cut off and terminated.

Control Register (PCIECR): The control register space should not be read or written from the PCI bus using a memory read/write command.

(4) Access to SH7785

Memory Space: See Section 13.4.4 (1), Accessing Memory Space in This LSI. Areas 0 to 6 ($\overline{CS0}$ to $\overline{CS6}$) on the SH7785 memory map, DDR2-SDRAM space and URAM/ILRAM/OLRAM in the SH-4A core can be accessed.

On-chip IO Space: The on-chip I/O space should not be read or written from the PCI bus using a memory read/write command. The read/write operation is not guaranteed.

(5) Exclusive Access

The lock accessing on the PCI bus is supported.

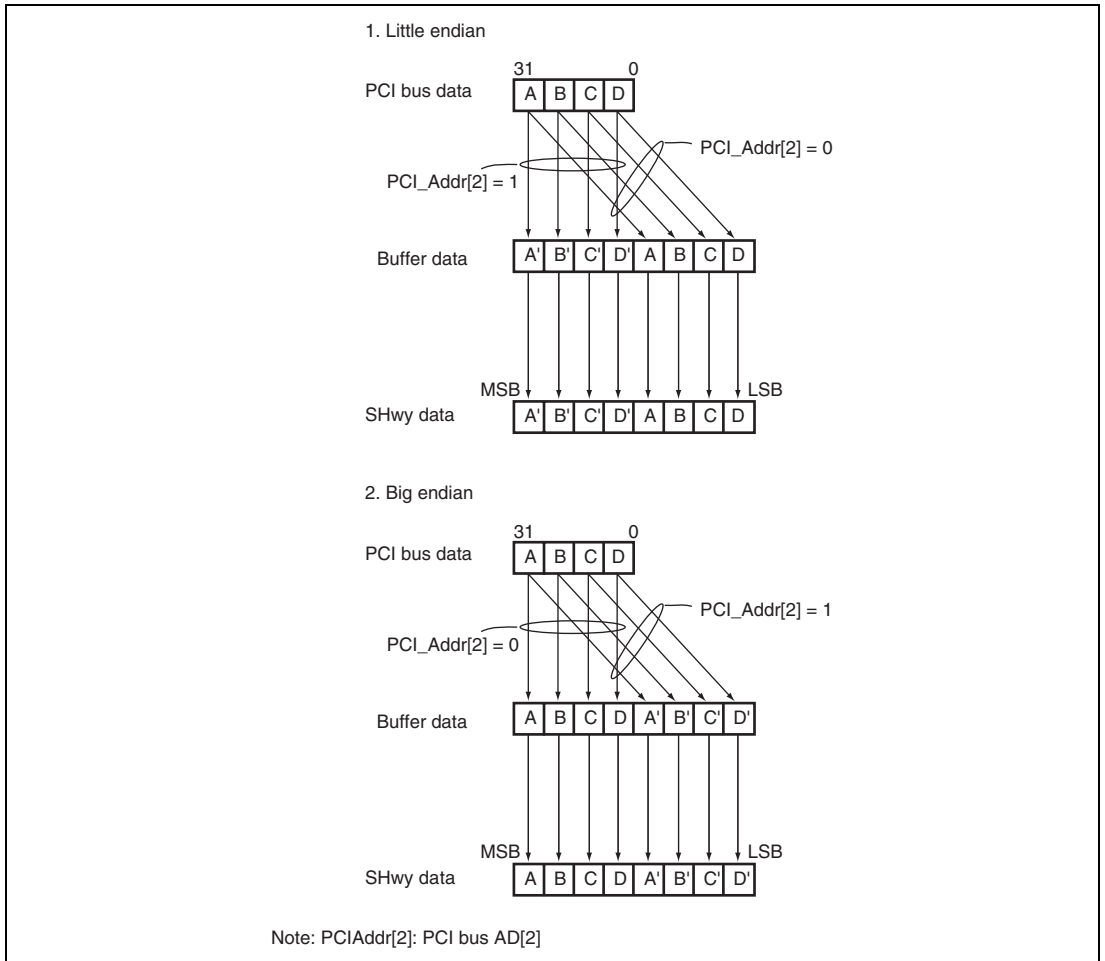
When the PCI bus is locked, the PCIC is accessible from the device that asserts \overline{LOCK} .

Resource lock on the SuperHyway bus is not supported. (Another on-chip module can access the PCIC during lock transfer.)

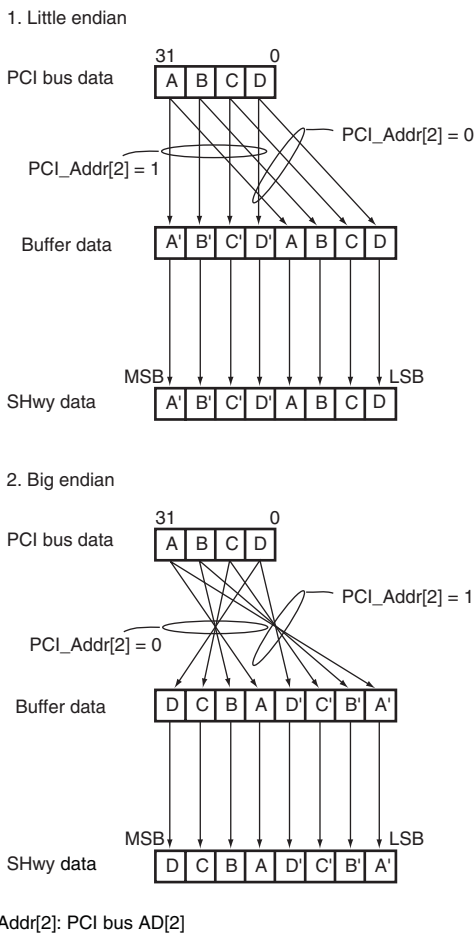
(6) Endian

This LSI supports both the big and little endian formats. Since the PCI local bus is inherently little endian, the PCIC supports both byte swapping and non-byte swapping.

The endian format is specified by the TBS bit in PCICR.



**Figure 13.13 Endian Conversion from PCI Bus to SuperHyway Bus
(Non-Byte Swapping: TBS = 0)**



**Figure 13.14 Endian Conversion from PCI Bus to SuperHyway Bus
(Byte Swapping: TBS = 1)**

Size	PCI bus		SHwy bus			
			Big-endian CPU		Little-endian CPU	
	Address	Data	Data (without swapping)	Data (with swapping)		
Byte	4n + 0					
	4n + 1					
	4n + 2					
	4n + 3					
Word	4n + 0					
	4n + 2					
Long-word	4n + 0					

Figure 13.15 Data Alignments for SuperHyway Bus and PCI Bus

(7) Cache Coherency

The PCIC supports cache coherency function.

When the PCIC functions as a target device, cache coherency is guaranteed on the PCI bus for accesses from a master device both in host mode and normal mode. When a cacheable area of this LSI is accessed, PCICSCR0/1 and PCICSAR0/1 should be set.

The following shows the usage notes for this function.

- Up to two conditions can be set for the snoop address. These two conditions are logical ORed for address comparison.
- When this function is used, a flush/purge request is issued to the CPU before memory read/write is performed in an access by an address hit. It seriously reduces the PCI bus transfer speed and CPU performance.
- Do not use the prefetch function when using this function. (Do not set the PFE bit in PCICR to 1.)
- Do not use this function when the CPU is in the sleep state. If a cache hit occurs when the CPU is in the sleep state, an error occurs on the SuperHyway bus and memory read/write is not performed. Specify the SNPMD bit (snoop mode) in PCICSCR to 00 (to turn off the snoop function) before the CPU enters the sleep mode. To keep the coherency before/after the CPU enters the sleep state, execute cache purge before the sleep instruction is executed.
- When using this function, do not use debugging functions using an emulator. (Do not use this function when using an emulator).

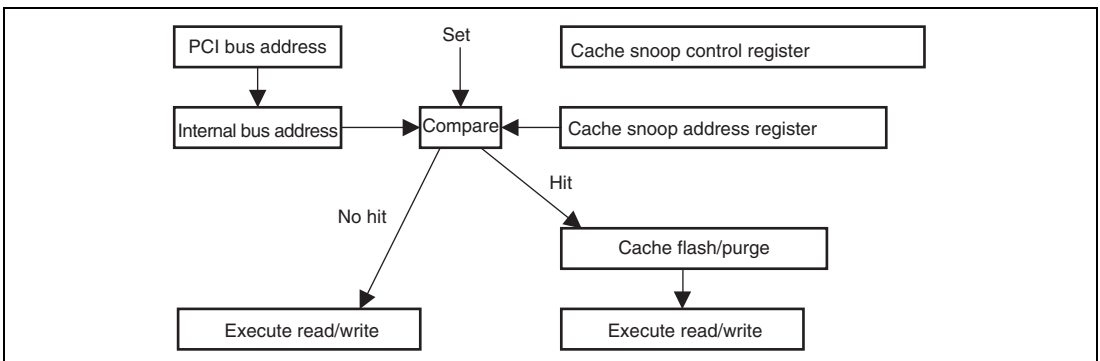


Figure 13.16 Cache Flush/Purge Execution Flow from PCI Bus to SuperHyway Bus

13.4.5 Host Mode

(1) Operation in Host Mode

The PCI interface of this LSI supports a subset of the PCI version 2.2 and can be connected to a device with a PCI bus interface.

According to the PCIC mode, host mode or normal mode, operation differs in two points: (1) the PCIC unconditionally performs bus parking or not, and (2) the PCI bus arbitration function is enabled or disabled.

In host mode, the PCIC drives the AD, $\overline{C/BE}$, PAR signal lines when a transfer is not performed on the PCI bus. When the PCIC subsequently starts a transfer as the master, the PCIC continues to drive these signal lines until the address phase ends.

The REQ and GNT signals between PCIC and an arbiter in the PCIC are internally connected. Here, pins $\overline{REQ0/REQOUT}$, $\overline{REQ1}$, $\overline{REQ2}$, and $\overline{REQ3}$ function as the REQ inputs from external masters 0 to 3. Similarly, $\overline{GNT0/GNTIN}$, $\overline{GNT1}$, $\overline{GNT2}$, and $\overline{GNT3}$ function as the GNT outputs to external masters 0 to 3. Arbitration for five masters including the PCIC can be performed.

(2) Configuration Space Access

The PCIC supports configuration mechanism #1. The PCI PIO address register (PCIPAR) and PCI PIO data register (PCIPDR) correspond to the configuration address register and configuration data register, respectively.

When PCIPAR is set and PCIPDR is read or written to, a configuration cycle is issued on the PCI bus. For the type-0 transfer, bits 10 to 2 of the configuration address register are sent to the PCI bus without translation and AD31 to AD11 are changed to be used as the IDSEL signal.

When the device number is set to 0, AD16 is driven to 1 and the other bits are made to be 0.

When the device number is set to 1, AD17 is driven to 1 and the other bits are made to be 0. Similarly, setting the device number to 2 drives AD18 to 1 and setting the device number to 3 drives AD19 to 0.

When the device number is set to 16, AD31 is driven to 1 and the other bits are made to be 0.

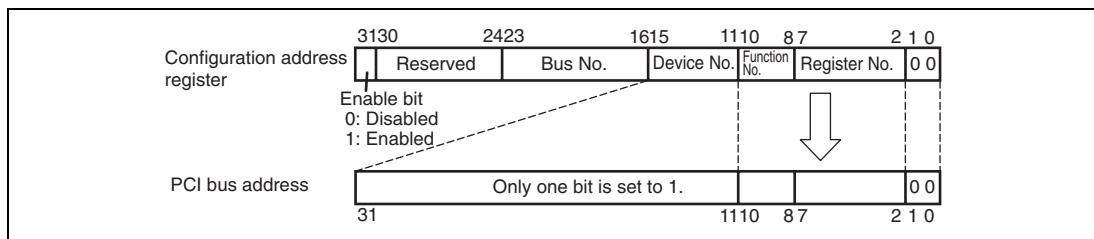


Figure 13.17 Address Generation for Type 0 Configuration Access

In configuration accesses, no interrupt is generated by a PCI master abort (no device connected).

A configuration write will end normally. A configuration read will return a value of 0.

(3) Arbitration

In host mode, the PCI bus arbiter in the PCIC is activated.

The PCIC supports four external masters (four pairs of $\overline{\text{REQ}}$ and $\overline{\text{GNT}}$).

If the bus usage is simultaneously requested by two devices or more, the bus arbiter accepts the request of the highest priority device.

The PCI bus arbiter supports two modes to determine the device priority: (1) fixed priority and (2) pseudo-round-robin. The mode is selected by the BMAM bit in PCICR.

In the following description, the device n indicates a PCI device that uses $\overline{\text{REQ}}_n$.

(a) Fixed Priority: When the BMAM bit in PCICR is cleared to 0, the priorities of devices are fixed by the default as follows:

PCIC > device 0 > device 1 > device 2 > device 3

The PCIC has the priority to use the bus in comparison with other devices.

(b) Pseudo-Round-Robin: When the BMAM bit in PCICR is set to 1, the most recently permitted device is assigned as the lowest priority.

The initial priority is the same as that of the fixed priority mode.

After the device 1 requires the bus and transfer data and the request is permitted, the priority changes as follows:

PCIC > device 0 > device 2 > device 3 > device 1

Subsequently, after the PCIC requires the bus and transfer data and the request is permitted, the priority changes as follows:

Device 0 > device 2 > device 3 > device 1 > PCIC

Then, after the device 3 requires the bus and transfer data and the request is permitted, the priority changes as follows:

Device 0 > device 2 > device 1 > PCIC > device 3

(4) Interrupts

- The PCIC has 10 interrupts (these signals are connected to the INTC of this LSI)
- Interrupts are enabled/disabled and their priority levels are specified by the INTC of this LSI
- When the PCIC operates in normal mode, INTA output is available as an interrupt to the host device on the PCI bus. The $\overline{\text{INTA}}$ pin can be set to be asserted or negated by the IOCS bit in PCICR.

Table 13.6 Interrupt Priority

Signal	Interrupt Source	INTEVT	Priority
PCISERR	$\overline{\text{SERR}}$ assertion detected in host mode	H'A00	High
PCIINTA	PCI interrupt A ($\overline{\text{INTA}}$) assertion detected in host mode	H'A20	↑ Low
PCIINTB	PCI interrupt B ($\overline{\text{INTB}}$) assertion detected in host mode	H'A40	
PCIINTC	PCI interrupt C ($\overline{\text{INTC}}$) assertion detected in host mode	H'A60	
PCIINTD	PCI interrupt D ($\overline{\text{INTD}}$) assertion detected in host mode	H'A80	
PCIEER	A PCI error occurs. Generated by PCIIR and PCIAINT. (Maskable)	H'AA0	
PCIPWD3	Power state transition to D3. Generated by PCIPINT. (Maskable)	H'AC0	
PCIPWD2	Power state transition to D2. Generated by PCIPINT. (Maskable)		
PCIPWD1	Power state transition to D1. Generated by PCIPINT. (Maskable)		
PCIPWD0	Power state transition to D0. Generated by PCIPINT. (Maskable)	H'AE0	

The PCIC can retain error information on the PCI bus. When an error occurs, the error address is stored in PCIAIR and the transfer type and command information are stored in PCICIR. When the PCIC is in host mode, the bus master information at the error occurrence is stored in PCIBMIR.

The PCIC can retain only one error information. Therefore, when multiple errors occur, only the first error information is retained and subsequent error information is not retained. The error information is initialized by a power-on reset.

13.4.6 Normal Mode

In normal mode, the bus arbiter in the PCIC does not operate. The PCI bus arbitration is performed by an external PCI bus arbiter.

The Bus master that performs bus parking is decided by the GNT signal output from the external bus arbiter. If the master that performs bus parking and the master that starts the next transfer are different, high-impedance state is generated for one clock cycle or more before the address phase.

The $\overline{\text{GNT0}}/\overline{\text{GNTIN}}$ pin is used for the GNT input to the PCIC, and the $\overline{\text{REQ0}}/\overline{\text{REQOUT}}$ pin is used for the REQ output from the PCIC.

13.4.7 Power Management

The PCIC has PCI power management configuration registers (supporting subsets in version 1.1). The following shows the supported features:

- Supports the PCI power management control configuration registers
- Supports the power-down/restore request interrupts from a host device on the PCI bus

The PCIC supports seven configuration registers for PCI power management control. PCICP indicates the address offset for the power management configuration registers. In the PCIC, PCICP is fixed to H'40. PCICID, PCINIP, PCIPMC, PCIPMCSR, PCIPMCSRBE and PCIPCDD are power management registers. These registers support four states: power state D0 (normal state) power state D1 (bus idle state) power state D2 (clock stopped state) and power state D3 (power down mode).

Figure 13.18 shows power down state transitions on the PCI bus.

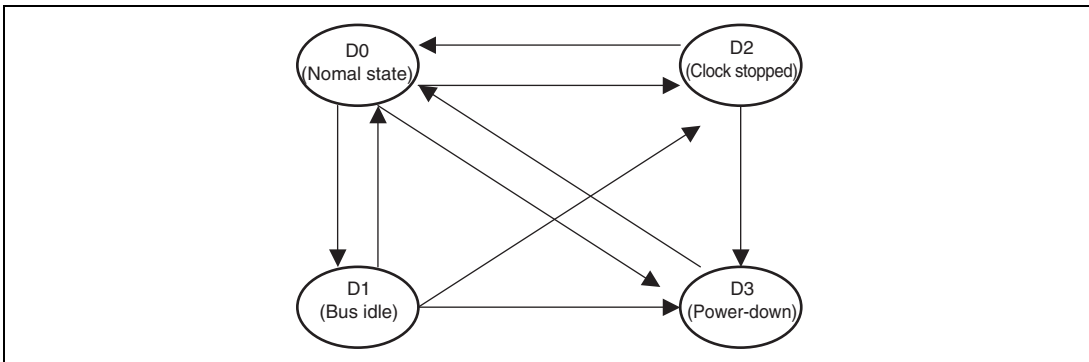


Figure 13.18 Power Down State Transitions on PCI Bus

When the PCIC detects that the power state (PS) bit in PCIPMCSR changes (PS is written by an external PCI device), it issues a power management interrupt. PCIPINT and PCIPINTM are used to control the power management interrupts. As the power management interrupts, PCIPWD0 that detects a transition from the power state D1/D2/D3 to D0, PCIPWD1 that detects a transition from the power state D0 to D1, PCIPWD2 that detects a transition from the power state D0/D1 to D2, and PCIPWD3 that detects a transition from the power state D0/D1/D2 to D3 are supported. An interrupt mask can be set for each interrupt.

The power state D0 interrupt is not generated at a power-on reset.

When the PCIC operates in normal mode and accepts a power down interrupt from an external host device, note the following:

With the PCI power management function, the PCI bus clock is stopped 16 clocks or more after the host device directs a transition to the power state D3. Therefore, after detecting a power state D3 interrupt, do not attempt to read or write to the PCIC internal local registers and configuration registers that can be accessed both from the CPU and PCI bus, and PCI local bus accesses (I/O and memory spaces). If the PCI bus clock stops during the access, the read/write cycle will not be completed and hung up on the SuperHyway bus because these accesses operate with the PCI bus clock

13.4.8 PCI Local Bus Basic Interface

The PCI interface of this LSI supports subsets in the PCI bus version 2.2 and it can be connected to a device with a PCI bus interface. The following figures show the timing in each operating mode.

(1) Master Read/Write Cycle Timing

Figure 13.19 shows an example of a single-write cycle in host mode. Figure 13.20 shows an example of a single-read cycle in host mode. Figure 13.21 shows an example of a burst-write cycle in normal mode. Figure 13.22 is an example of a burst-read cycle in normal mode. Note that the response speed of $\overline{\text{DEVSEL}}$ and $\overline{\text{TRDY}}$ differs according to the connected target device. In PIO transfer, a single read/write cycle should be used. The configuration transfers can be issued only in host mode.

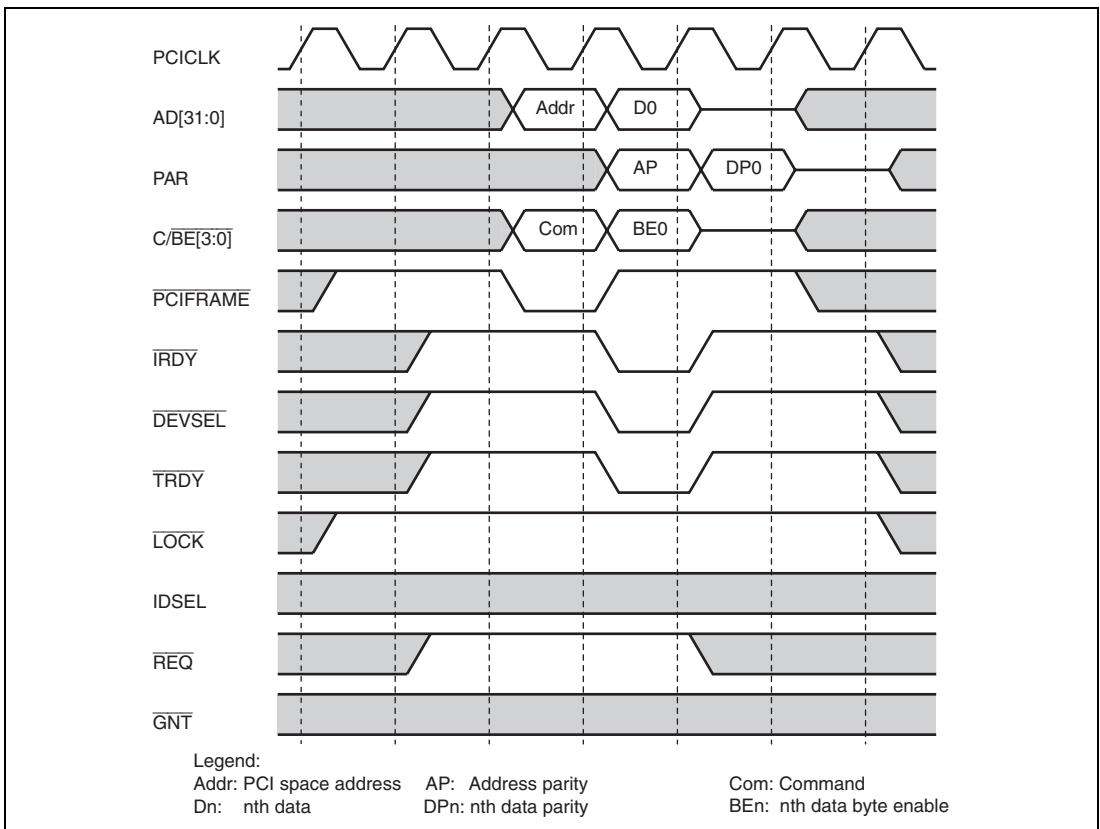
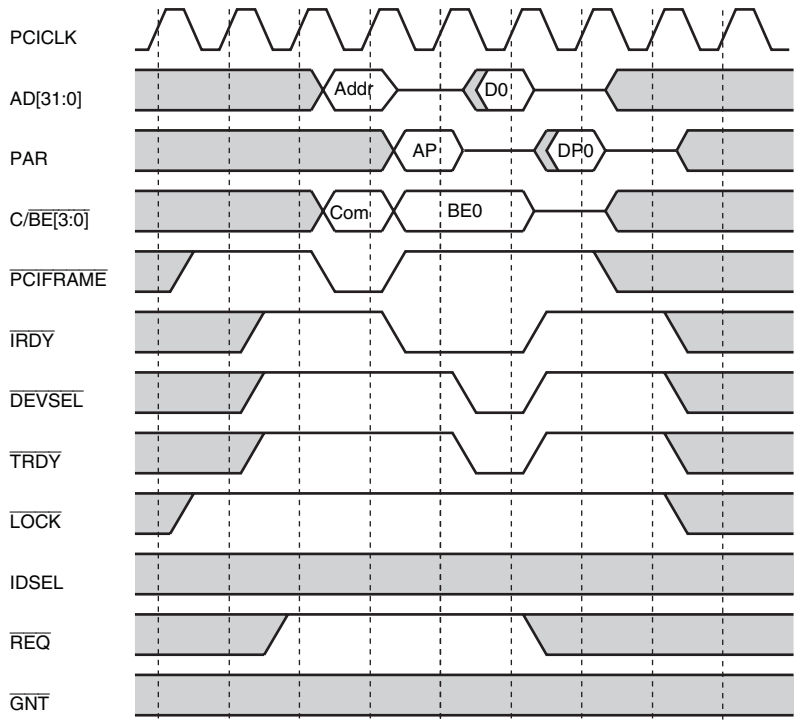


Figure 13.19 Master Write Cycle in Host Mode (Single)



Legend:
 Addr: PCI space address AP: Address parity Com: Command
 Dn: nth data DPn: nth data parity BEn: nth data byte enable

Figure 13.20 Master Read Cycle in Host Mode (Single)

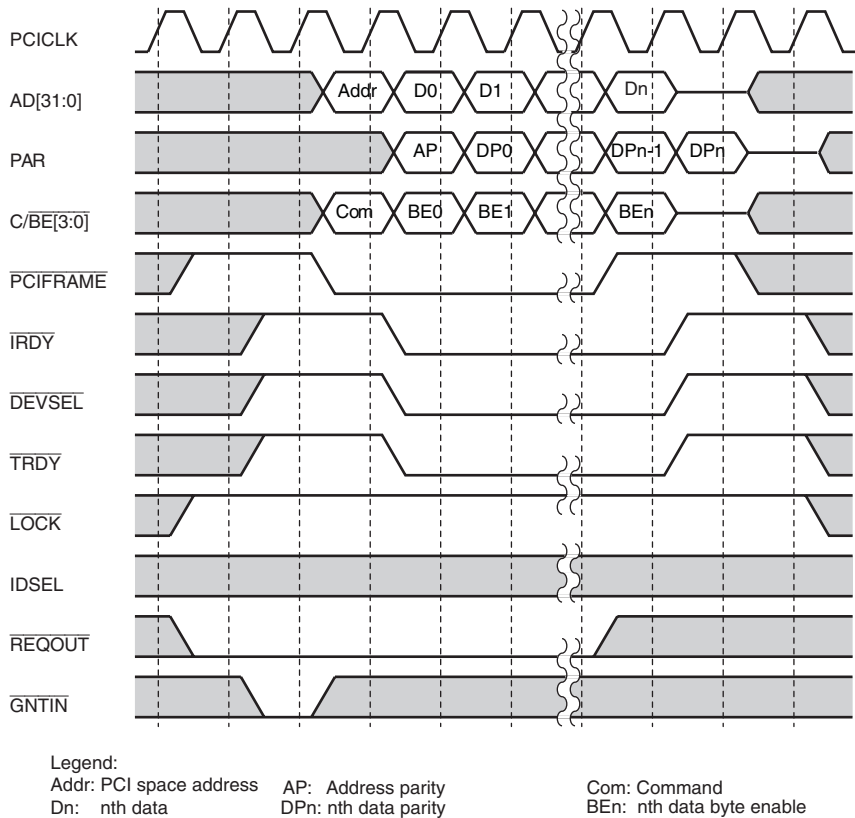


Figure 13.21 Master Write Cycle in Normal Mode (Burst)

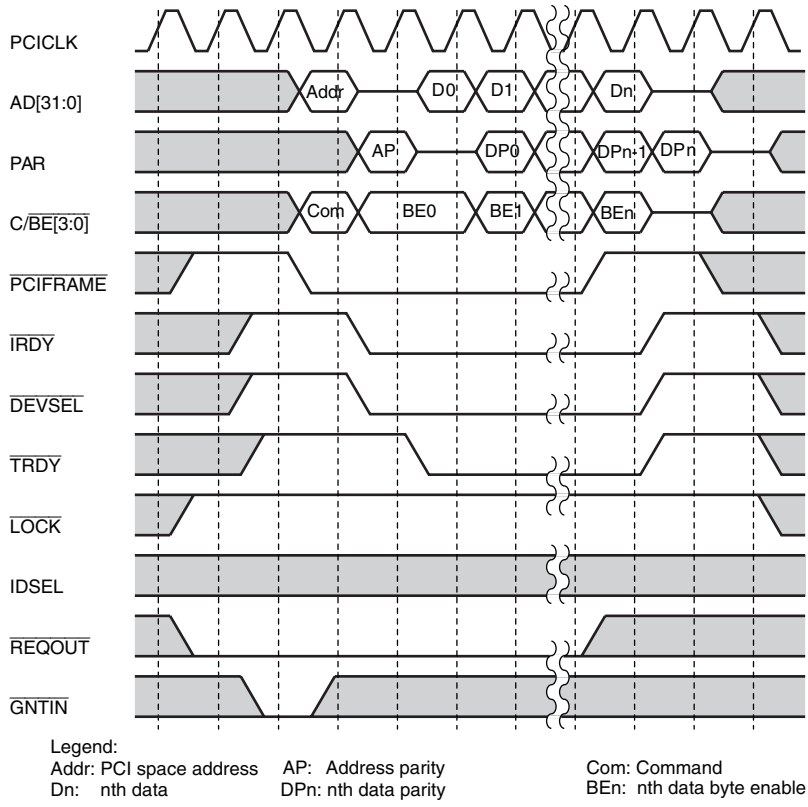


Figure 13.22 Master Read Cycle in Normal Mode (Burst)

(2) Target Read/Write Cycle Timing

The PCIC returns retries to target memory read accesses from an external master until 8 longword (32-bit) data are prepared in the PCIC internal FIFO. That is, the first target read is always responded by a retry.

When a target memory write access is performed for the PCIC, the PCIC returns retries to all subsequent target memory accesses until the write data is completely written to local memory. Thus, the data contents are guaranteed when data written to the target is target-read immediately after it was written.

Only single transfers are supported for target accesses to the configuration space and I/O space. If a burst access request is issued, the external master is disconnected when the first transfer is complete. Note that the $\overline{\text{DEVSEL}}$ response speed is fixed to 2 clocks (medium) for the target access to the PCIC.

Figure 13.23 shows an example of a target single-read cycle in normal mode. Figure 13.24 shows an example of a target single-write cycle in normal mode. Figure 13.25 shows an example of a target burst-read cycle in host mode. Figure 13.26 shows an example of a target burst-write cycle in host mode.

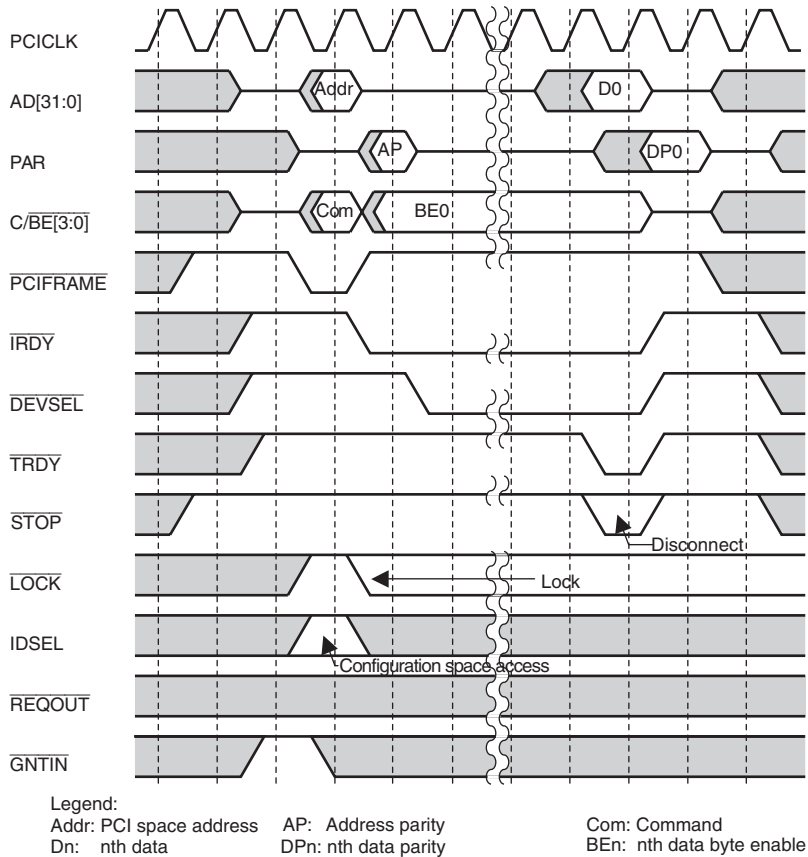


Figure 13.23 Target Read Cycle in Normal Mode (Single)

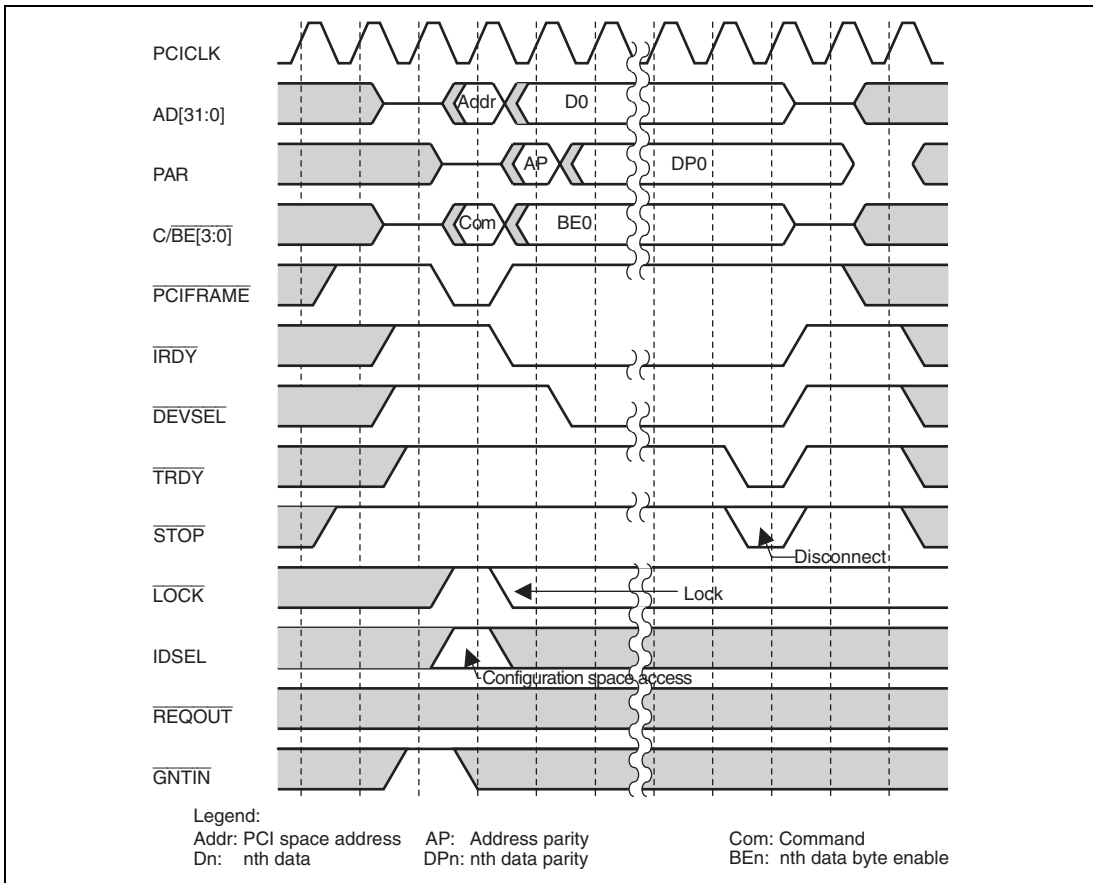


Figure 13.24 Target Write Cycle in Normal Mode (Single)

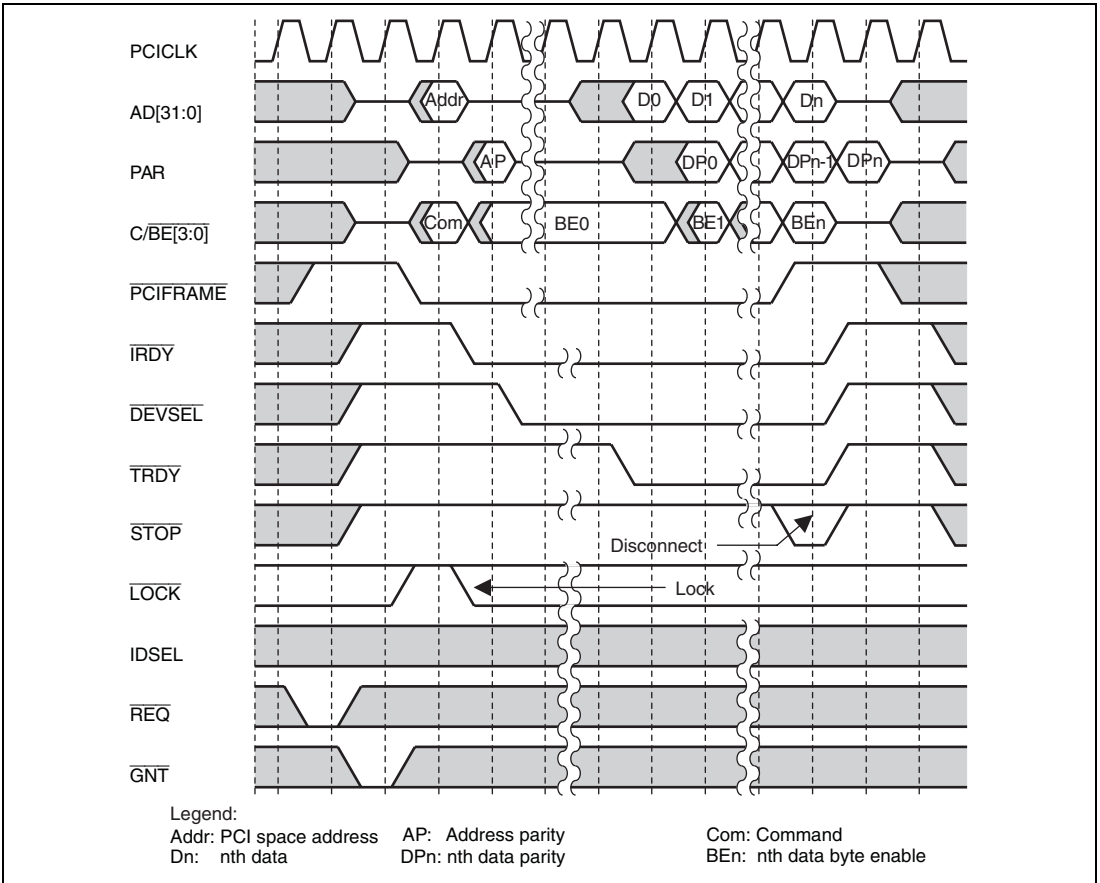


Figure 13.25 Target Memory Read Cycle in Host Mode (Burst)

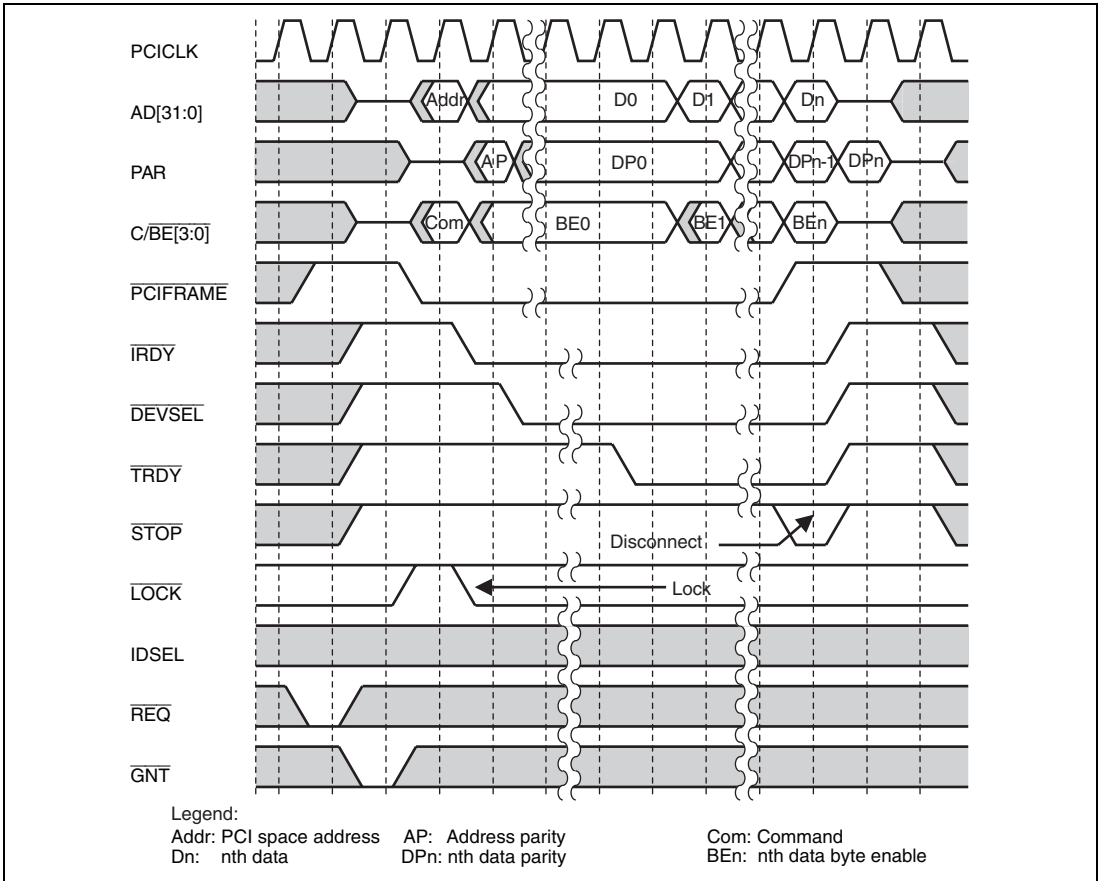


Figure 13.26 Target Memory Write Cycle in Host Mode (Burst)

(3) Address/Data Stepping Timing

By writing 1 to the SC bit in PCICMD, a wait (stepping) of one clock can be inserted when the PCIC is driving the AD bus. As a result, the PCIC drives the AD bus with 2 clocks. This function can be used when the PCI bus load is heavy and the AD bus does not achieve the stipulated logic level in one clock.

It is recommended to use this function when the PCIC issues configuration transfers in host mode.

Figure 13.27 shows an example of a burst memory write cycle with address stepping. Figure 13.28 shows an example of a target burst read cycle with address stepping.

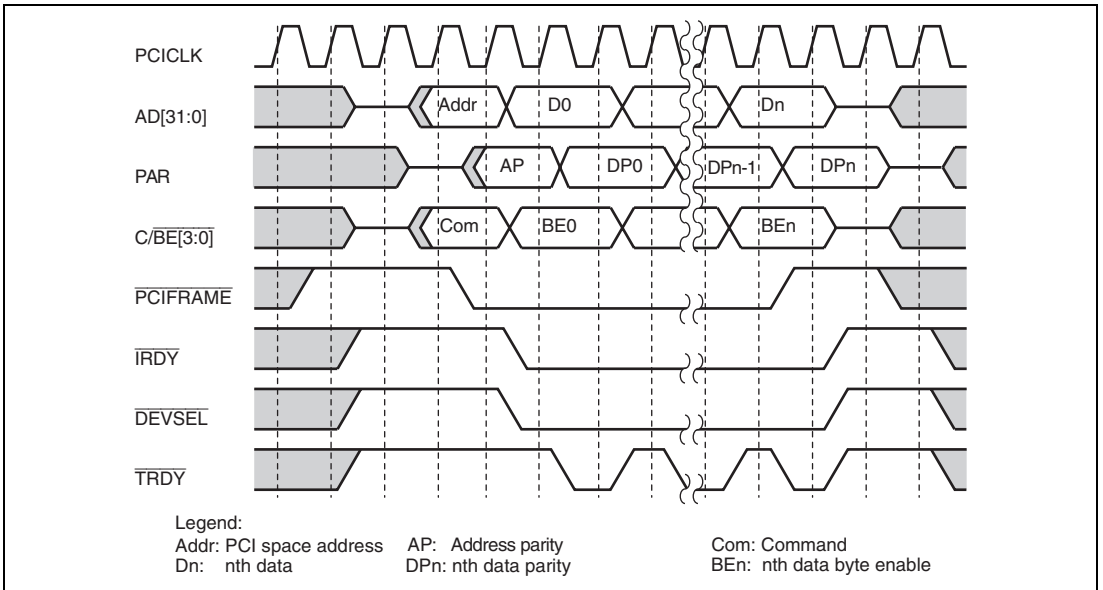


Figure 13.27 Master Write Cycle in Host Mode (Burst, with Stepping)

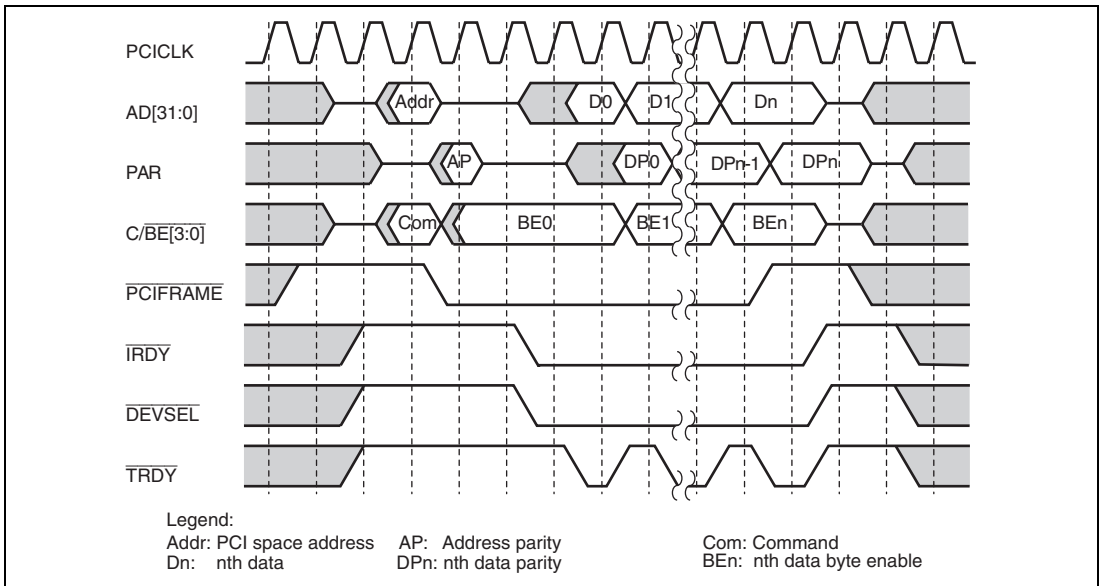


Figure 13.28 Target Memory Read Cycle in Host Bus Bridge Mode (Burst, with Stepping)

Section 14 Direct Memory Access Controller (DMAC)

This LSI includes an on-chip direct memory access controller (DMAC). Instead of the CPU, the DMAC can be used to perform data transfers among external devices equipped with DACK (transfer request acceptance signal), external memory, on-chip memory, memory-mapped external devices, and on-chip peripheral modules.

14.1 Features

- Number of channels: Twelve channels (channels 0 to 3 can accept an external request)
- Address space: 4 Gbytes on the architecture (Physical address)
- Transfer data length: Byte, word (2 bytes), longword (4 bytes), 16 bytes, and 32 bytes
- Maximum transfer count: 16,777,216
- Address mode: Dual address mode
- Transfer requests:

Choice of external request (channels 0 to 3), on-chip peripheral module request, or auto-request

The following modules can issue an on-chip peripheral module request.

— SCIF0 to SCIF5, HAC0, HAC1, HSPI, SIOF, SSI0, SSI1, FLCTL, and MMCIF

- Bus mode:
Choice of cycle steal mode (normal mode or intermittent mode) or burst mode
- Priority: Choice of fixed mode and round-robin mode
- Interrupt request: An interrupt request can be generated to the CPU after half of transfers have ended, all transfers have ended, or an address error has occurred
- External request detection: Choice of low/high level detection and rising/falling edge detection of DREQ input
- DMA transfer end notification signal: Active levels for DACK can be specified independently

Figure 14.1 shows a block diagram of the DMAC.

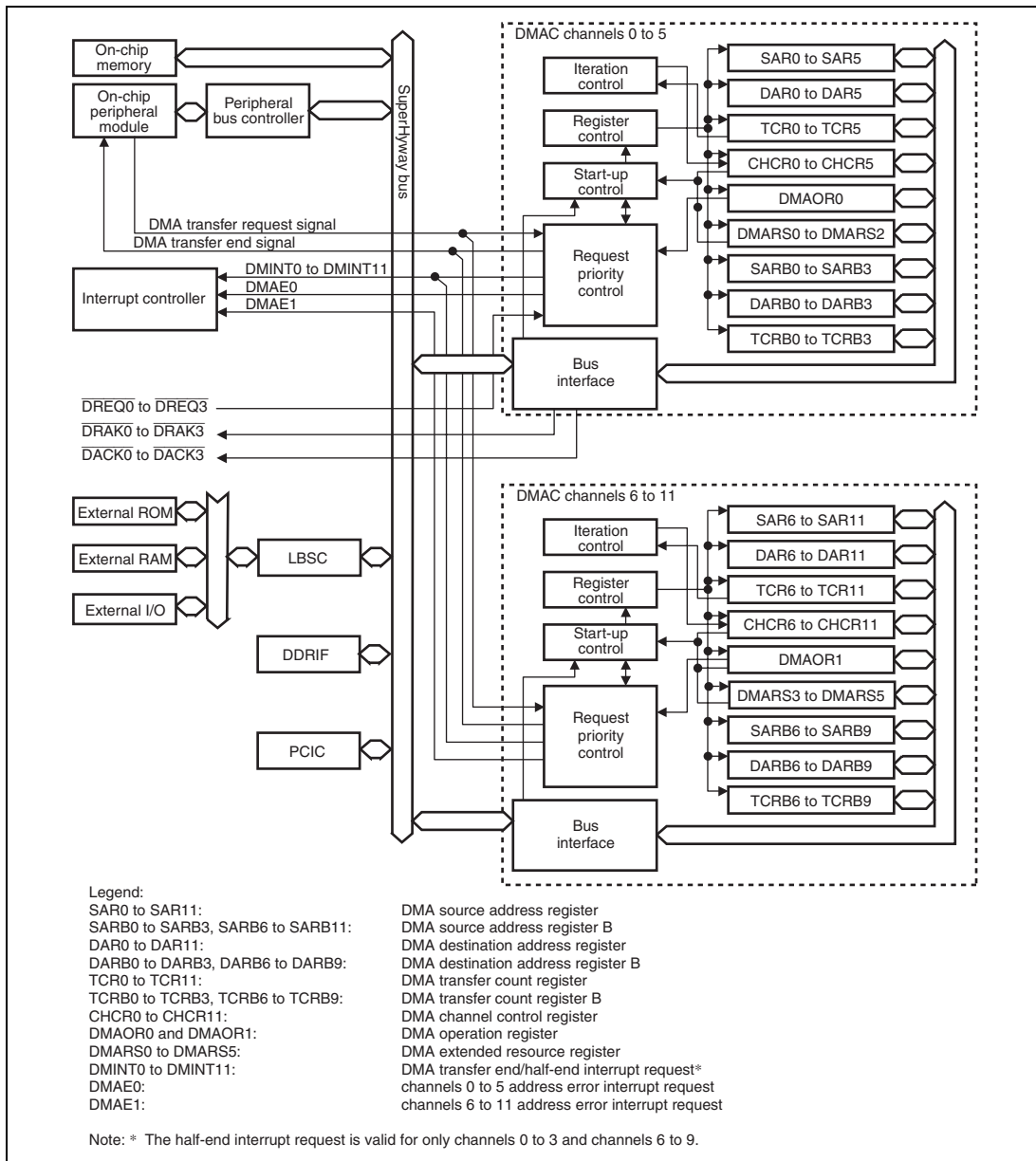


Figure 14.1 Block Diagram of DMAC

14.2 Input/Output Pins

The DMAC-related external pins are shown below.

Table 14.1 shows the configuration of the pins that are connected to external device. The DMAC has pins for four channels (channels 0 to 3) used in the external bus.

Table 14.1 Pin Configuration for the External Bus

Channel	Function	Pin Name	I/O	Description
0	DMA transfer request	$\overline{\text{DREQ0}}^{*1}$	Input	DMA transfer request input from external device to channel 0
	DREQ0 acceptance confirmation	$\overline{\text{DRAK0}}^{*2}$	Output	Notifies acceptance of DMA transfer request and start of execution from channel 0 to external device
	DMA transfer end notification	$\overline{\text{DACK0}}^{*2}$	Output	Outputs strobe to DMA transfer request from channel 0 to external device
1	DMA transfer request	$\overline{\text{DREQ1}}^{*1}$	Input	DMA transfer request input from external device to channel 1
	DREQ1 acceptance confirmation	$\overline{\text{DRAK1}}^{*2}$	Output	Notifies acceptance of DMA transfer request and start of execution from channel 1 to external device
	DMA transfer end notification	$\overline{\text{DACK1}}^{*2}$	Output	Outputs strobe to DMA transfer request from channel 1 to external device
2	DMA transfer request	$\overline{\text{DREQ2}}^{*1}$	Input	DMA transfer request input from external device to channel 2
	DREQ2 acceptance confirmation	$\overline{\text{DRAK2}}^{*2}$	Output	Notifies acceptance of DMA transfer request and start of execution from channel 2 to external device
	DMA transfer end notification	$\overline{\text{DACK2}}^{*2}$	Output	Outputs strobe to DMA transfer request from channel 2 to external device
3	DMA transfer request	$\overline{\text{DREQ3}}^{*1}$	Input	DMA transfer request input from external device to channel 3
	DREQ3 acceptance confirmation	$\overline{\text{DRAK3}}^{*2}$	Output	Notifies acceptance of DMA transfer request and start of execution from channel 3 to external device.
	DMA transfer end notification	$\overline{\text{DACK3}}^{*2}$	Output	Outputs strobe to DMA transfer request from channel 3 to external device

- Notes: 1. The initial value is low-level detection.
2. The initial value is low-active.

14.3 Register Descriptions

Table 14.2 shows the register configuration.

Table 14.2 Register Configuration of the DMAC (1)

Channel	Name	Abbrev.	R/W	P4 Address	Area 7 Address	Access Size* ³	Sync clock
0	DMA source address register 0	SAR0	R/W	H'FC80 8020	H'1C80 8020	32	Bck
	DMA destination address register 0	DAR0	R/W	H'FC80 8024	H'1C80 8024	32	Bck
	DMA transfer count register 0	TCR0	R/W	H'FC80 8028	H'1C80 8028	32	Bck
	DMA channel control register 0	CHCR0	R/W* ¹	H'FC80 802C	H'1C80 802C	32	Bck, Pck* ⁴
1	DMA source address register 1	SAR1	R/W	H'FC80 8030	H'1C80 8030	32	Bck
	DMA destination address register 1	DAR1	R/W	H'FC80 8034	H'1C80 8034	32	Bck
	DMA transfer count register 1	TCR1	R/W	H'FC80 8038	H'1C80 8038	32	Bck
	DMA channel control register 1	CHCR1	R/W* ¹	H'FC80 803C	H'1C80 803C	32	Bck, Pck* ⁴
2	DMA source address register 2	SAR2	R/W	H'FC80 8040	H'1C80 8040	32	Bck
	DMA destination address register 2	DAR2	R/W	H'FC80 8044	H'1C80 8044	32	Bck
	DMA transfer count register 2	TCR2	R/W	H'FC80 8048	H'1C80 8048	32	Bck
	DMA channel control register 2	CHCR2	R/W* ¹	H'FC80 804C	H'1C80 804C	32	Bck, Pck* ⁴
3	DMA source address register 3	SAR3	R/W	H'FC80 8050	H'1C80 8050	32	Bck
	DMA destination address register 3	DAR3	R/W	H'FC80 8054	H'1C80 8054	32	Bck
	DMA transfer count register 3	TCR3	R/W	H'FC80 8058	H'1C80 8058	32	Bck
	DMA channel control register 3	CHCR3	R/W* ¹	H'FC80 805C	H'1C80 805C	32	Bck, Pck* ⁴
0 to 5	DMA operation register 0	DMAOR0	R/W* ²	H'FC80 8060	H'1C80 8060	16	Bck, Pck* ⁵
4	DMA source address register 4	SAR4	R/W	H'FC80 8070	H'1C80 8070	32	Bck
	DMA destination address register 4	DAR4	R/W	H'FC80 8074	H'1C80 8074	32	Bck
	DMA transfer count register 4	TCR4	R/W	H'FC80 8078	H'1C80 8078	32	Bck
	DMA channel control register 4	CHCR4	R/W* ¹	H'FC80 807C	H'1C80 807C	32	Bck, Pck* ⁴
5	DMA source address register 5	SAR5	R/W	H'FC80 8080	H'1C80 8080	32	Bck
	DMA destination address register 5	DAR5	R/W	H'FC80 8084	H'1C80 8084	32	Bck
	DMA transfer count register 5	TCR5	R/W	H'FC80 8088	H'1C80 8088	32	Bck
	DMA channel control register 5	CHCR5	R/W* ¹	H'FC80 808C	H'1C80 808C	32	Bck, Pck* ⁴

Channel Name	Abbrev.	R/W	P4 Address	Area 7 Address	Access Size*3	Sync clock	
0	DMA source address register B0	SARB0	R/W	H'FC80 8120	H'1C80 8120	32	Bck
	DMA destination address register B0	DARB0	R/W	H'FC80 8124	H'1C80 8124	32	Bck
	DMA transfer count register B0	TCRB0	R/W	H'FC80 8128	H'1C80 8128	32	Bck
1	DMA source address register B1	SARB1	R/W	H'FC80 8130	H'1C80 8130	32	Bck
	DMA destination address register B1	DARB1	R/W	H'FC80 8134	H'1C80 8134	32	Bck
	DMA transfer count register B1	TCRB1	R/W	H'FC80 8138	H'1C80 8138	32	Bck
2	DMA source address register B2	SARB2	R/W	H'FC80 8140	H'1C80 8140	32	Bck
	DMA destination address register B2	DARB2	R/W	H'FC80 8144	H'1C80 8144	32	Bck
	DMA transfer count register B2	TCRB2	R/W	H'FC80 8148	H'1C80 8148	32	Bck
3	DMA source address register B3	SARB3	R/W	H'FC80 8150	H'1C80 8150	32	Bck
	DMA destination address register B3	DARB3	R/W	H'FC80 8154	H'1C80 8154	32	Bck
	DMA transfer count register B3	TCRB3	R/W	H'FC80 8158	H'1C80 8158	32	Bck
0, 1	DMA extended resource selector 0	DMARS0	R/W	H'FC80 9000	H'1C80 9000	16	Pck
2, 3	DMA extended resource selector 1	DMARS1	R/W	H'FC80 9004	H'1C80 9004	16	Pck
4, 5	DMA extended resource selector 2	DMARS2	R/W	H'FC80 9008	H'1C80 9008	16	Pck
6	DMA source address register 6	SAR6	R/W	H'FCC0 8020	H'1CC0 8020	32	Bck
	DMA destination address register 6	DAR6	R/W	H'FCC0 8024	H'1CC0 8024	32	Bck
	DMA transfer count register 6	TCR6	R/W	H'FCC0 8028	H'1CC0 8028	32	Bck
	DMA channel control register 6	CHCR6	R/W*1	H'FCC0 802C	H'1CC0 802C	32	Bck, Pck*4
7	DMA source address register 7	SAR7	R/W	H'FCC0 8030	H'1CC0 8030	32	Bck
	DMA destination address register 7	DAR7	R/W	H'FCC0 8034	H'1CC0 8034	32	Bck
	DMA transfer count register 7	TCR7	R/W	H'FCC0 8038	H'1CC0 8038	32	Bck
	DMA channel control register 7	CHCR7	R/W*1	H'FCC0 803C	H'1CC0 803C	32	Bck, Pck*4
8	DMA source address register 8	SAR8	R/W	H'FCC0 8040	H'1CC0 8040	32	Bck
	DMA destination address register 8	DAR8	R/W	H'FCC0 8044	H'1CC0 8044	32	Bck
	DMA transfer count register 8	TCR8	R/W	H'FCC0 8048	H'1CC0 8048	32	Bck
	DMA channel control register 8	CHCR8	R/W*1	H'FCC0 804C	H'1CC0 804C	32	Bck, Pck*4
9	DMA source address register 9	SAR9	R/W	H'FCC0 8050	H'1CC0 8050	32	Bck
	DMA destination address register 9	DAR9	R/W	H'FCC0 8054	H'1CC0 8054	32	Bck
	DMA transfer count register 9	TCR9	R/W	H'FCC0 8058	H'1CC0 8058	32	Bck
	DMA channel control register 9	CHCR9	R/W*1	H'FCC0 805C	H'1CC0 805C	32	Bck, Pck*4

14. Direct Memory Access Controller (DMAC)

Channel	Name	Abbrev.	R/W	P4 Address	Area 7 Address	Access Size* ³	Sync clock
6 to 11	DMA operation register 1	DMAOR1	R/W* ²	H'FCC0 8060	H'1CC0 8060	16	Bck, Pck* ⁵
10	DMA source address register 10	SAR10	R/W	H'FCC0 8070	H'1CC0 8070	32	Bck
	DMA destination address register 10	DAR10	R/W	H'FCC0 8074	H'1CC0 8074	32	Bck
	DMA transfer count register 10	TCR10	R/W	H'FCC0 8078	H'1CC0 8078	32	Bck
	DMA channel control register 10	CHCR10	R/W* ¹	H'FCC0 807C	H'1CC0 807C	32	Bck, Pck* ⁴
11	DMA source address register 11	SAR11	R/W	H'FCC0 8080	H'1CC0 8080	32	Bck
	DMA destination address register 11	DAR11	R/W	H'FCC0 8084	H'1CC0 8084	32	Bck
	DMA transfer count register 11	TCR11	R/W	H'FCC0 8088	H'1CC0 8088	32	Bck
	DMA channel control register 11	CHCR11	R/W* ¹	H'FCC0 808C	H'1CC0 808C	32	Bck, Pck* ⁴
6	DMA source address register B6	SARB6	R/W	H'FCC0 8120	H'1CC0 8120	32	Bck
	DMA destination address register B6	DARB6	R/W	H'FCC0 8124	H'1CC0 8124	32	Bck
	DMA transfer count register B6	TCRB6	R/W	H'FCC0 8128	H'1CC0 8128	32	Bck
7	DMA source address register B7	SARB7	R/W	H'FCC0 8130	H'1CC0 8130	32	Bck
	DMA destination address register B7	DARB7	R/W	H'FCC0 8134	H'1CC0 8134	32	Bck
	DMA transfer count register B7	TCRB7	R/W	H'FCC0 8138	H'1CC0 8138	32	Bck
8	DMA source address register B8	SARB8	R/W	H'FCC0 8140	H'1CC0 8140	32	Bck
	DMA destination address register B8	DARB8	R/W	H'FCC0 8144	H'1CC0 8144	32	Bck
	DMA transfer count register B8	TCRB8	R/W	H'FCC0 8148	H'1CC0 8148	32	Bck
9	DMA source address register B9	SARB9	R/W	H'FCC0 8150	H'1CC0 8150	32	Bck
	DMA destination address register B9	DARB9	R/W	H'FCC0 8154	H'1CC0 8154	32	Bck
	DMA transfer count register B9	TCRB9	R/W	H'FCC0 8158	H'1CC0 8158	32	Bck
6, 7	DMA extended resource selector 3	DMARS3	R/W	H'FCC0 9000	H'1CC0 9000	16	Pck
8, 9	DMA extended resource selector 4	DMARS4	R/W	H'FCC0 9004	H'1CC0 9004	16	Pck
10, 11	DMA extended resource selector 5	DMARS5	R/W	H'FCC0 9008	H'1CC0 9008	16	Pck

- Notes:
1. To clear the flag, the HE and TE bits in CHCR can be read as 1, and then, 0 can be written to.
 2. To clear the flag, the AE and NMIF bits in DMAOR can be read as 1, and then, 0 can be written to.
 3. Accessing with other access sizes is prohibited.
 4. The synchronous clock for the HE and TE bits in CHCR is Bck, and the synchronous clock for the other bits in CHCR is Pck.
 5. The synchronous clock for the AE, NMIF, and DME bits in DMAOR is Bck, and the synchronous clock for the CMS and PR bits in DMAOR is Pck.

Table 14.2 Register Configuration of the DMAC (2)

Channel Name	Abbrev.	Power-on Reset by PRESET Pin/WDT/ H-UDI	Manual Reset by WDT/Multiple Exception	Sleep by SLEEP instruction	Deep Sleep		Module Standby
					by SLEEP instruction	(DSL P = 1)	
0	DMA source address register 0	SAR0	Undefined	Undefined	Retained	Retained	Retained
	DMA destination address register 0	DAR0	Undefined	Undefined	Retained	Retained	Retained
	DMA transfer count register 0	TCR0	Undefined	Undefined	Retained	Retained	Retained
	DMA channel control register 0	CHCR0	H'4000 0000	H'4000 0000	Retained	Retained	Retained
1	DMA source address register 1	SAR1	Undefined	Undefined	Retained	Retained	Retained
	DMA destination address register 1	DAR1	Undefined	Undefined	Retained	Retained	Retained
	DMA transfer count register 1	TCR1	Undefined	Undefined	Retained	Retained	Retained
	DMA channel control register 1	CHCR1	H'4000 0000	H'4000 0000	Retained	Retained	Retained
2	DMA source address register 2	SAR2	Undefined	Undefined	Retained	Retained	Retained
	DMA destination address register 2	DAR2	Undefined	Undefined	Retained	Retained	Retained
	DMA transfer count register 2	TCR2	Undefined	Undefined	Retained	Retained	Retained
	DMA channel control register 2	CHCR2	H'4000 0000	H'4000 0000	Retained	Retained	Retained
3	DMA source address register 3	SAR3	Undefined	Undefined	Retained	Retained	Retained
	DMA destination address register 3	DAR3	Undefined	Undefined	Retained	Retained	Retained
	DMA transfer count register 3	TCR3	Undefined	Undefined	Retained	Retained	Retained
	DMA channel control register 3	CHCR3	H'4000 0000	H'4000 0000	Retained	Retained	Retained
0 to 5	DMA operation register 0	DMAOR0	H'0000	H'0000	Retained	Retained	Retained
4	DMA source address register 4	SAR4	Undefined	Undefined	Retained	Retained	Retained
	DMA destination address register 4	DAR4	Undefined	Undefined	Retained	Retained	Retained
	DMA transfer count register 4	TCR4	Undefined	Undefined	Retained	Retained	Retained
	DMA channel control register 4	CHCR4	H'4000 0000	H'4000 0000	Retained	Retained	Retained
5	DMA source address register 5	SAR5	Undefined	Undefined	Retained	Retained	Retained
	DMA destination address register 5	DAR5	Undefined	Undefined	Retained	Retained	Retained
	DMA transfer count register 5	TCR5	Undefined	Undefined	Retained	Retained	Retained
	DMA channel control register 5	CHCR5	H'4000 0000	H'4000 0000	Retained	Retained	Retained

14. Direct Memory Access Controller (DMAC)

Channel	Name	Abbrev.	Power-on Reset by $\overline{\text{PRESET}}$ Pin/WDT/ H-UDI	Manual Reset by WDT/Multiple Exception	Sleep by SLEEP instruction	Deep Sleep by SLEEP instruction (DSL P = 1)	Module Standby
0	DMA source address register B0	SARB0	Undefined	Undefined	Retained	Retained	Retained
	DMA destination address register B0	DARB0	Undefined	Undefined	Retained	Retained	Retained
	DMA transfer count register B0	TCRB0	Undefined	Undefined	Retained	Retained	Retained
1	DMA source address register B1	SARB1	Undefined	Undefined	Retained	Retained	Retained
	DMA destination address register B1	DARB1	Undefined	Undefined	Retained	Retained	Retained
	DMA transfer count register B1	TCRB1	Undefined	Undefined	Retained	Retained	Retained
2	DMA source address register B2	SARB2	Undefined	Undefined	Retained	Retained	Retained
	DMA destination address register B2	DARB2	Undefined	Undefined	Retained	Retained	Retained
	DMA transfer count register B2	TCRB2	Undefined	Undefined	Retained	Retained	Retained
3	DMA source address register B3	SARB3	Undefined	Undefined	Retained	Retained	Retained
	DMA destination address register B3	DARB3	Undefined	Undefined	Retained	Retained	Retained
	DMA transfer count register B3	TCRB3	Undefined	Undefined	Retained	Retained	Retained
0, 1	DMA extended resource selector 0	DMARS0	H'0000	H'0000	Retained	Retained	Retained
2, 3	DMA extended resource selector 1	DMARS1	H'0000	H'0000	Retained	Retained	Retained
4, 5	DMA extended resource selector 2	DMARS2	H'0000	H'0000	Retained	Retained	Retained
6	DMA source address register 6	SAR6	Undefined	Undefined	Retained	Retained	Retained
	DMA destination address register 6	DAR6	Undefined	Undefined	Retained	Retained	Retained
	DMA transfer count register 6	TCR6	Undefined	Undefined	Retained	Retained	Retained
	DMA channel control register 6	CHCR6	H'4000 0000	H'4000 0000	Retained	Retained	Retained
7	DMA source address register 7	SAR7	Undefined	Undefined	Retained	Retained	Retained
	DMA destination address register 7	DAR7	Undefined	Undefined	Retained	Retained	Retained
	DMA transfer count register 7	TCR7	Undefined	Undefined	Retained	Retained	Retained
	DMA channel control register 7	CHCR7	H'4000 0000	H'4000 0000	Retained	Retained	Retained

Channel	Name	Abbrev.	Power-on	Manual	Sleep	Deep Sleep	Module
			Reset by PRESET Pin/WDT/ H-UDI	Reset by WDT/Multiple Exception		by SLEEP instruction	
8	DMA source address register 8	SAR8	Undefined	Undefined	Retained	Retained	Retained
	DMA destination address register 8	DAR8	Undefined	Undefined	Retained	Retained	Retained
	DMA transfer count register 8	TCR8	Undefined	Undefined	Retained	Retained	Retained
	DMA channel control register 8	CHCR8	H'4000 0000	H'4000 0000	Retained	Retained	Retained
9	DMA source address register 9	SAR9	Undefined	Undefined	Retained	Retained	Retained
	DMA destination address register 9	DAR9	Undefined	Undefined	Retained	Retained	Retained
	DMA transfer count register 9	TCR9	Undefined	Undefined	Retained	Retained	Retained
	DMA channel control register 9	CHCR9	H'4000 0000	H'4000 0000	Retained	Retained	Retained
6 to 11	DMA operation register 1	DMAOR1	H'0000	H'0000	Retained	Retained	Retained
10	DMA source address register 10	SAR10	Undefined	Undefined	Retained	Retained	Retained
	DMA destination address register 10	DAR10	Undefined	Undefined	Retained	Retained	Retained
	DMA transfer count register 10	TCR10	Undefined	Undefined	Retained	Retained	Retained
	DMA channel control register 10	CHCR10	H'4000 0000	H'4000 0000	Retained	Retained	Retained
11	DMA source address register 11	SAR11	Undefined	Undefined	Retained	Retained	Retained
	DMA destination address register 11	DAR11	Undefined	Undefined	Retained	Retained	Retained
	DMA transfer count register 11	TCR11	Undefined	Undefined	Retained	Retained	Retained
	DMA channel control register 11	CHCR11	H'4000 0000	H'4000 0000	Retained	Retained	Retained
6	DMA source address register B6	SARB6	Undefined	Undefined	Retained	Retained	Retained
	DMA destination address register B6	DARB6	Undefined	Undefined	Retained	Retained	Retained
	DMA transfer count register B6	TCRB6	Undefined	Undefined	Retained	Retained	Retained
7	DMA source address register B7	SARB7	Undefined	Undefined	Retained	Retained	Retained
	DMA destination address register B7	DARB7	Undefined	Undefined	Retained	Retained	Retained
	DMA transfer count register B7	TCRB7	Undefined	Undefined	Retained	Retained	Retained
8	DMA source address register B8	SARB8	Undefined	Undefined	Retained	Retained	Retained
	DMA destination address register B8	DARB8	Undefined	Undefined	Retained	Retained	Retained
	DMA transfer count register B8	TCRB8	Undefined	Undefined	Retained	Retained	Retained

14. Direct Memory Access Controller (DMAC)

Channel	Name	Abbrev.	Power-on	Manual	Deep Sleep		Module
			Reset by $\overline{\text{PRESET}}$ Pin/WDT/ H-UDI	Reset by WDT/Multiple Exception	Sleep by SLEEP instruction	by SLEEP instruction (DSLPL = 1)	
9	DMA source address register B9	SARB9	Undefined	Undefined	Retained	Retained	Retained
	DMA destination address register B9	DARB9	Undefined	Undefined	Retained	Retained	Retained
	DMA transfer count register B9	TCRB9	Undefined	Undefined	Retained	Retained	Retained
6, 7	DMA extended resource selector 3	DMARS3	H'0000	H'0000	Retained	Retained	Retained
8, 9	DMA extended resource selector 4	DMARS4	H'0000	H'0000	Retained	Retained	Retained
10, 11	DMA extended resource selector 5	DMARS5	H'0000	H'0000	Retained	Retained	Retained

14.3.1 DMA Source Address Registers 0 to 11 (SAR0 to SAR11)

SAR are 32-bit readable/writable registers that specify the source address of a DMA transfer. During a DMA transfer, these registers indicate the source address of the next transfer. A word or longword boundary address should be specified when a word or longword transfer is performed respectively. A 16-byte or 32-byte boundary value should be specified when a 16-byte or 32-byte transfer is performed respectively.

In 29-bit address mode, the source address is changed as follows before it is output.

- The upper three bits are output as 000 when bits 31 to 29 are not 111 and areas 0 to 6 are used.
- The upper three bits are output as 111 when bits 31 to 29 are not 111 and area 7 is used.
- The written address is output as it is when bits 31 to 29 are 111.

In 32-bit address mode, the written address is output as it is.

The initial value of SAR is undefined.

Bit:	31	30	29	28	27	26	25	24	23	22	21	20	19	18	17	16
Initial value:	—	—	—	—	—	—	—	—	—	—	—	—	—	—	—	—
R/W:	R/W	R/W	R/W	R/W	R/W	R/W	R/W	R/W	R/W	R/W	R/W	R/W	R/W	R/W	R/W	R/W
Bit:	15	14	13	12	11	10	9	8	7	6	5	4	3	2	1	0
Initial value:	—	—	—	—	—	—	—	—	—	—	—	—	—	—	—	—
R/W:	R/W	R/W	R/W	R/W	R/W	R/W	R/W	R/W	R/W	R/W	R/W	R/W	R/W	R/W	R/W	R/W

14.3.2 DMA Source Address Registers B0 to B3, B6 to B9 (SARB0 to SARB3, SARB6 to SARB9)

SARB are 32-bit readable/writable registers that specify the source address of a DMA transfer that is set in SAR again in repeat/reload mode. The data written to SAR by the CPU is also written to SARB. To set the address that is different from SAR address, write data to SAR, then, to SARB.

A word or longword boundary address should be specified when a word or longword transfer is performed respectively. A 16-byte or 32-byte boundary value should be specified when a 16-byte or 32-byte transfer is performed respectively.

The initial value of SARB is undefined.

Bit:	31	30	29	28	27	26	25	24	23	22	21	20	19	18	17	16
Initial value:	—	—	—	—	—	—	—	—	—	—	—	—	—	—	—	—
R/W:	R/W	R/W	R/W	R/W	R/W	R/W	R/W	R/W	R/W	R/W	R/W	R/W	R/W	R/W	R/W	R/W
Bit:	15	14	13	12	11	10	9	8	7	6	5	4	3	2	1	0
Initial value:	—	—	—	—	—	—	—	—	—	—	—	—	—	—	—	—
R/W:	R/W	R/W	R/W	R/W	R/W	R/W	R/W	R/W	R/W	R/W	R/W	R/W	R/W	R/W	R/W	R/W

14.3.3 DMA Destination Address Registers 0 to 11 (DAR0 to DAR11)

DAR are 32-bit readable/writable registers that specify the destination address of a DMA transfer. During a DMA transfer, these registers indicate the destination address of the next transfer.

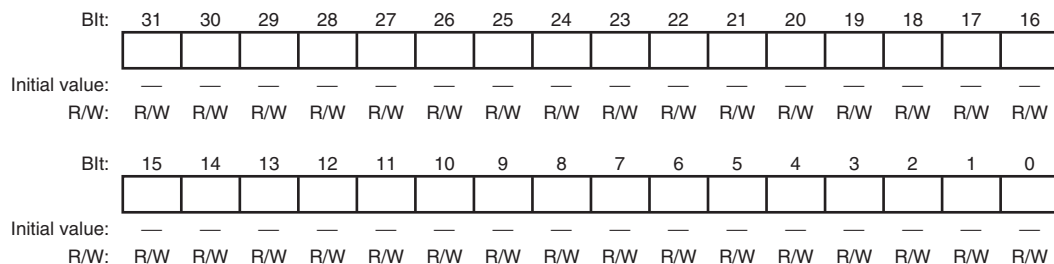
A word or longword boundary address should be specified when a word or longword transfer is performed respectively. A 16-byte or 32-byte boundary value should be specified when a 16-byte or 32-byte transfer is performed respectively.

In 29-bit address mode, the source address is changed as follows before it is output.

- The upper three bits are output as 000 when bits 31 to 29 are not 111 and areas 0 to 6 are used.
- The upper three bits are output as 111 when bits 31 to 29 are not 111 and area 7 is used.
- The written address is output as it is when bits 31 to 29 are 111.

In 32-bit address mode, the written address is output as it is.

The initial value of DAR is undefined.



14.3.4 DMA Destination Address Registers B0 to B3, B6 to B9 (DARB0 to DARB3, DARB6 to DARB9)

DARB are 32-bit readable/writable registers that specify the destination address of a DMA transfer that is set in DAR again in repeat/reload mode. The data written to DAR by the CPU is also written to DARB. To set the address that is different from DAR address, write data to DAR, then, to DARB.

A word or longword boundary address should be specified when a word or longword transfer is performed respectively. A 16-byte or 32-byte boundary value should be specified when a 16-byte or 32-byte transfer is performed respectively.

The initial value of DARB is undefined.

Blk:	31	30	29	28	27	26	25	24	23	22	21	20	19	18	17	16
Initial value:	—	—	—	—	—	—	—	—	—	—	—	—	—	—	—	—
R/W:	R/W	R/W	R/W	R/W	R/W	R/W	R/W	R/W	R/W	R/W	R/W	R/W	R/W	R/W	R/W	R/W
Blk:	15	14	13	12	11	10	9	8	7	6	5	4	3	2	1	0
Initial value:	—	—	—	—	—	—	—	—	—	—	—	—	—	—	—	—
R/W:	R/W	R/W	R/W	R/W	R/W	R/W	R/W	R/W	R/W	R/W	R/W	R/W	R/W	R/W	R/W	R/W

14.3.5 DMA Transfer Count Registers 0 to 11 (TCR0 to TCR11)

TCR are 32-bit readable/writable registers that specify the DMA transfer count. When the value is set to H'00000001, H'00FFFFFF, H'00000000, the transfer count is 1, 16,777,215, and 16,777,216 (the maximum) respectively. During a DMA transfer, these registers indicate the remaining transfer count.

The upper eight bits in TCR (bits 31 to 24) are always read as 0. The write value should always be 0.

The initial value of TCR is undefined.

Bit:	31	30	29	28	27	26	25	24	23	22	21	20	19	18	17	16
	—	—	—	—	—	—	—	—								
Initial value:	—	—	—	—	—	—	—	—	—	—	—	—	—	—	—	—
R/W:	R	R	R	R	R	R	R	R	R/W	R/W	R/W	R/W	R/W	R/W	R/W	R/W
Bit:	15	14	13	12	11	10	9	8	7	6	5	4	3	2	1	0
Initial value:	—	—	—	—	—	—	—	—	—	—	—	—	—	—	—	—
R/W:	R/W	R/W	R/W	R/W	R/W	R/W	R/W	R/W	R/W	R/W	R/W	R/W	R/W	R/W	R/W	R/W

14.3.6 DMA Transfer Count Registers B0 to B3, B6 to B9 (TCRB0 to TCRB3, TCRB6 to TCRB9)

TCRB are 32-bit readable/writable registers. The data written to TCR by the CPU is also written to TCRB. While the half end function is being used, TCRB are used as the initial value retain registers to detect half end. Also, TCRB specify the number of DMA transfers which are set in TCR again in repeat mode. TCRB specify the number of DMA transfers and are used as transfer count counters in reload mode.

In reload mode, bits 7 to 0 operate as transfer count counters. When the values are 0, values of SAR and DAR are updated, and the value of the bits 23 to 16 in TCRB are loaded to the bits 7 to 0. Set the number of transfers until reloading starts to bits 23 to 16. In reload mode, a value from H'FF (255 times) to H'01 (1 time) can be specified to the bits 23 to 16 and 7 to 0 in TCRB, and set the same number to bits 23 to 16 and bits 7 to 0 and set bits 15 to 8 to H'00. Also, clear the HIE bit in CHCR to 0 and do not use the half end function.

Bits 31 to 24 in TCRB are always read as 0. The write value should always be 0.

The initial value of TCRB is undefined.

Bit:	31	30	29	28	27	26	25	24	23	22	21	20	19	18	17	16
	—	—	—	—	—	—	—	—								
Initial value:	—	—	—	—	—	—	—	—	—	—	—	—	—	—	—	—
R/W:	R	R	R	R	R	R	R	R	R/W	R/W	R/W	R/W	R/W	R/W	R/W	R/W
Bit:	15	14	13	12	11	10	9	8	7	6	5	4	3	2	1	0
Initial value:	—	—	—	—	—	—	—	—	—	—	—	—	—	—	—	—
R/W:	R/W	R/W	R/W	R/W	R/W	R/W	R/W	R/W	R/W	R/W	R/W	R/W	R/W	R/W	R/W	R/W

14.3.7 DMA Channel Control Registers 0 to 11 (CHCR0 to CHCR11)

CHCR are 32-bit readable/writable registers that control the DMA transfer mode.

Bit:	31	30	29	28	27	26	25	24	23	22	21	20	19	18	17	16
	—	LCKN	—	—	RPT[2:0]			—	DO	RL	—	TS2	HE	HIE	AM	AL
Initial value:	0	1	0	0	0	0	0	0	0	0	0	0	0	0	0	0
R/W:	R	R/W	R	R	R/W	R/W	R/W	R	R/W	R/W	R	R/W	R/(W)*	R/W	R/W	R/W
Bit:	15	14	13	12	11	10	9	8	7	6	5	4	3	2	1	0
	DM[1:0]		SM[1:0]		RS[3:0]			—	DL	DS	TB	TS[1:0]		IE	TE	DE
Initial value:	0	0	0	0	0	0	0	0	0	0	0	0	0	0	0	0
R/W:	R/W	R/W	R/W	R/W	R/W	R/W	R/W	R/W	R/W	R/W	R/W	R/W	R/W	R/W	R/(W)*	R/W

Note: * R/(W): To clear the flag, 0 can be written to.

Bit	Bit Name	Initial Value	R/W	Descriptions
31	—	0	R	Reserved This bit is always read as 0. The write value should always be 0.
30	LCKN	1	R/W	Bus Lock Signal Disable Specifies whether the bus lock signal output is enabled or disabled during a read instruction for the SuperHyway bus. This bit is valid in cycle steal mode. Clear this bit to 0 in burst mode. If the bus lock signal is disabled, the bus request from the bus master other than the DMAC can be accepted. This can improve the bus usage efficiency in the system. For channels 0 to 5, this bit can be set to 0 or 1. For channels 6 to 11, do not clear this bit to 0. The write value should always be 1. 0: Bus lock signal output enabled 1: Bus lock signal output disabled
29, 28	—	All 0	R	Reserved These bits are always read as 0. The write value should always be 0.

Bit	Bit Name	Initial Value	R/W	Descriptions
27 to 25	RPT[2:0]	000	R/W	<p>DMA Setting Update Specification</p> <p>These bits are valid in only CHCR0 to CHCR3, and CHCR6 to CHCR9.</p> <p>000: Normal mode</p> <p>001: Repeat mode SAR/DAR/TCR are repeated</p> <p>010: Repeat mode DAR/TCR is repeated</p> <p>011: Repeat mode SAR/TCR is repeated</p> <p>100: Reserved (setting prohibited)</p> <p>101: Reload mode SAR/DAR is reloaded</p> <p>110: Reload mode DAR is reloaded</p> <p>111: Reload mode SAR is reloaded</p>
24	—	0	R	<p>Reserved</p> <p>This bit is always read as 0. The write value should always be 0.</p>
23	DO	0	R/W	<p>DMA Overrun</p> <p>Selects whether DREQ is detected by overrun 0 or by overrun 1. This bit is valid in only CHCR0 to CHCR3.</p> <p>0: Detects DREQ by overrun 0</p> <p>1: Detects DREQ by overrun 1</p>
22	RL	0	R/W	<p>Request Check Level</p> <p>Selects whether the DRAK signal output is an active-high or active-low. This bit valid in only CHCR0 to CHCR3. If the DRAK active direction is changed, reflecting the change on the external pins requires one cycle of the external bus clock after writing to the register is completed.</p> <p>0: DRAK is an active-low output</p> <p>1: DRAK is an active-high output</p>

Bit	Bit Name	Initial Value	R/W	Descriptions
21	—	0	R	Reserved This bit is always read as 0. The write value should always be 0.
20	TS2	0	R/W	DMA Transfer Size Specification Specifies the DMA transfer size with TS1 and TS0. When the transfer source or transfer destination is a register in an on-chip peripheral module register that the access size is specified, the transfer data size for the register should be the same as the access size. For the address set to SAR or DAR as transfer source or transfer destination, the transfer data size should be the same as the address boundary. TS2, TS1, TS0 000: Byte units 001: Word (2-byte) units 010: Longword (4-byte) units 011: 16-byte units 100: 32-byte units Other than above: Setting prohibited

Bit	Bit Name	Initial Value	R/W	Descriptions
19	HE	0	R/(W)*	<p>Half End Flag</p> <p>After HIE (bit 18) is set to 1 and the number of transfers is half of TCR (one bit shift to right) which is set before transfer, HE is 1.</p> <ul style="list-style-type: none"> HE is set to 1 when the number of transfers is an even number ((TCR set before transfer)/2) HE is set to 1 when the number of transfers is an odd number ((TCR set before transfer – 1)/2) HE is set to 1 when the number of transfer is the maximum transfer count 8,388,608 (H'00800000) <p>The HE bit is not set when transfers are ended by an NMI interrupt or address error, or by clearing the DE or DME bit in DMAOR before the number of transfers is decreased to half of the TCR value set before the transfer. The HE bit is kept set when the transfer ends by an NMI interrupt or address error, or clearing the DE bit (bit 0) or the DME bit in DMAOR after the HE bit is set to 1. To clear the HE bit, write 0 after reading 1 from the HE bit. This bit is valid in only CHCR0 to CHCR3, and CHCR6 to CHCR9.</p> <p>0: DMA transfer is being performed or DMA transfer has been aborted $TCR > (TCR \text{ set before transfer})/2$ Clearing condition: Write 0 after HE is read as 1</p> <p>1: $TCR (TCR \text{ set before transfer})/2$</p>
18	HIE	0	R/W	<p>Half End Interrupt Enable</p> <p>Specifies whether an interrupt request is generated to the CPU when the read cycle of the transfer that the number of transfers is decreased to half of the TCR value set before the transfer has ended. If the HIE bit is set to 1, an interrupt request is generated to the CPU when the HE bit is set. To confirm that the half of the transfer has ended, execute a dummy read of the destination space after issuing the SYNCO instruction.</p> <p>Clear this bit to 0 while reload mode is set. This bit is valid in CHCR0 to CHCR3, and CHCR6 to CHCR9.</p> <p>0: Half end interrupt disabled 1: Half end interrupt enabled</p>

Bit	Bit Name	Initial Value	R/W	Descriptions
17	AM	0	R/W	<p>Acknowledge Mode</p> <p>Selects whether DACK is output in a data read cycle or in a data write cycle. DACK is output only for LBSC space transfers.</p> <p>This bit is valid in only CHCR0 to CHCR3.</p> <p>0: DACK output in a read cycle (DACK is output only when the DMA transfer source is LBSC space.)</p> <p>1: DACK output in a write cycle (DACK is output only when the DMA transfer destination is LBSC space.)</p>
16	AL	0	R/W	<p>Acknowledge Level</p> <p>Specifies whether the DACK signal output is high-active or low-active. This bit is valid in only CHCR0 to CHCR3. If DACK active direction has been changed, reflecting the change on the external pins requires two cycles of the external bus clock after writing to register is completed.</p> <p>0: DACK output low-active</p> <p>1: DACK output high-active</p>

Bit	Bit Name	Initial Value	R/W	Descriptions
15, 14	DM[1:0]	00	R/W	<p>Destination Address Mode 1, 0</p> <p>Specify whether the DMA destination address is incremented or decremented.</p> <p>00: Destination address is fixed</p> <p>01: Destination address is incremented byte unit transfer: +1 word unit transfer: +2 longword unit transfer: +4 16-byte unit transfer: +16 32-byte unit transfer: +32</p> <p>10: Destination address is decremented byte unit transfer: -1 word unit transfer: -2 longword unit transfer: -4 Setting prohibited in 16/32-byte unit transfer</p> <p>11: Setting prohibited</p> <p>For any setting (00, 01, or 10), specifying a transfer size greater than the bus width divides bus cycles into two or more, and increases the number of addresses for the divided bus cycles.</p>
13, 12	SM[1:0]	00	R/W	<p>Source Address Mode 1, 0</p> <p>Specify whether the DMA source address is incremented or decremented.</p> <p>00: Source address is fixed</p> <p>01: Source address is incremented byte unit transfer: +1 word unit transfer: +2 longword units transfer: +4 16-byte unit transfer: +16 32-byte unit transfer: +32</p> <p>10: Source address is decremented byte unit transfer: -1 word unit transfer: -2 longword unit transfer: -4 Setting prohibited in 16/32-byte unit transfer</p> <p>11: Setting prohibited</p> <p>For any setting (00, 01, or 10), specifying a transfer size greater than the bus width divides bus cycles into two or more, and increases the number of addresses for the divided bus cycles.</p>

Bit	Bit Name	Initial Value	R/W	Descriptions
11 to 8	RS[3:0]	0000	R/W	<p>Resource Select 3 to 0</p> <p>Specify the transfer request source. To change the transfer request source, the DMA enable (DE) bit should be cleared to 0.</p> <p>0000: External request, or dual address mode 0100: Auto-request 1000: On-chip peripheral module request Selected by DMA extended resource selector (DMARS0 to DMARS5) Other than above: Setting prohibited</p> <p>Note: External request specification is valid in only CHCR0 to CHCR3. The external request cannot be specified in CHCR4 to CHCR11.</p>
7	DL	0	R/W	DREQ Level and DREQ Edge Select
6	DS	0	R/W	<p>Specify the detecting method of the DREQ input and the detecting level.</p> <p>These bits are valid in only CHCR0 to CHCR3. Even in channels 0 to 3, if the transfer request source is specified as an on-chip peripheral module or if an auto-request is specified, these bits are invalid.</p> <p>00: DREQ detected in low level (DREQ) 01: DREQ detected at falling edge 10: DREQ detected in high level 11: DREQ detected at rising edge</p>
5	TB	0	R/W	<p>Transfer Bus Mode</p> <p>Specifies the bus mode for DMA transfers.</p> <p>0: Cycle steal mode 1: Burst mode</p> <p>Select cycle steal mode when the on-chip peripheral module requests are specified. This bit can be set to 0 or 1 only for channels 0 to 5.</p> <p>For channels 6 to 11, this bit cannot be set to 1. The write value should always be 0.</p>
4, 3	TS[1:0]	00	R/W	<p>DMA Transfer Size Specification</p> <p>See the description of TS2 (bit 20).</p>

Bit	Bit Name	Initial Value	R/W	Descriptions
2	IE	0	R/W	<p>Interrupt Enable</p> <p>Specifies whether an interrupt request is generated to the CPU at the end of the final DMA transfer. Setting this bit to 1 generates an interrupt request (DMINT) to the CPU when the TE bit is set to 1 and a read cycle of the final DMA transfer has ended. To confirm that the final transfer has ended, execute a dummy read of the destination space after issuing the SYNCO instruction.</p> <p>0: Interrupt request disabled 1: Interrupt request enabled</p>
1	TE	0	R/(W)*	<p>Transfer End Flag</p> <p>The TE bit is set to 1 when DMA transfer count register (TCR) is set to 0 (when the DMAC starts executing the final DMA transfer). The TE bit is not set, if DMA transfer ends due to an NMI interrupt or DMA address error before TCR is cleared to 0, or if DMA transfer is ended by clearing the DE bit and DME bit in DMA operation register (DMAOR). To clear the TE bit, the TE bit should be read as 1, and then, 0 is written to.</p> <p>Even if the DE bit is set to 1 while this bit is set to 1, transfer is not enabled.</p> <p>0: When DMA transfer is being performed or DMA transfer has been interrupted [Clearing condition]: Write 0 after TE is read as 1 1: TCR = 0 (when the final DMA transfer is being performed or the DMA transfer ends)</p>
0	DE	0	R/W	<p>DMA Enable</p> <p>Enables or disables DMA transfer.</p> <p>In auto-request mode, DMA transfer starts by setting the DE bit and the DME bit in DMAOR to 1. The TE, NMIF, and AE bits in DMAOR should be 0.</p> <p>In an external request or on-chip peripheral module request, DMA transfer starts if DMA transfer request is generated by the corresponding devices or corresponding peripheral modules after the DE and DME bits are set to 1. In this case, too, the TE, NMIF, and AE bits should be 0.</p> <p>Clearing the DE bit to 0 can abort DMA transfer.</p> <p>In an on-chip peripheral module request, when aborting a transfer by clearing the DE bit, clear the DE bit while the transfer request has been cleared.</p> <p>0: DMA transfer disabled 1: DMA transfer enabled</p>

Note: * To clear the flag, 0 can be written to.

14.3.8 DMA Operation Register 0, 1 (DMAOR0 and DMAOR1)

DMAOR are 16-bit readable/writable registers that specify the priority of channels in DMA transfer. Also, these registers show the DMA transfer status.

DMAOR 0 is a register common to channels 0 to 5, and DMAOR1 is a register common to channels 6 to 11.

Bit:	15	14	13	12	11	10	9	8	7	6	5	4	3	2	1	0
	—	—	CMS[1:0]	—	—	PR[1:0]	—	—	—	—	—	—	AE	NMIF	DME	
Initial value:	0	0	0	0	0	0	0	0	0	0	0	0	0	0	0	0
R/W:	R	R	R/W	R/W	R	R	R/W	R/W	R	R	R	R	R	R/(W)*R/(W)*	R/W	

Note: * To clear the flag, 0 can be written to.

Bit	Bit Name	Initial Value	R/W	Descriptions
15, 14	—	All 0	R	Reserved These bits are always read as 0. The write value should always be 0.
13, 12	CMS[1:0]	00	R/W	Cycle Steal Mode Select 1, 0 Select normal mode or intermittent mode in cycle steal mode. To validate intermittent mode, bus mode in all channels (channels 0 to 5) corresponding to DMAOR0 or all channels (channels 6 to 11) corresponding to DMAOR1 should be in cycle steal mode. 00: Normal mode 01: Setting prohibited 10: Intermittent mode 16 Executes a DMA transfer after waiting 16 Bck clock of the external clock 11: Intermittent mode 64 Executes a DMA transfer after waiting 64 Bck clock of the external clock For details, see the descriptions on intermittent mode 16 and Intermittent mode 64, under section 14.4.3 (2) (a), Cycle Steal Mode.

Bit	Bit Name	Initial Value	R/W	Descriptions
11, 10	—	All 0	R	Reserved These bits are always read as 0. The write value should always be 0.
9, 8	PR[1:0]	00	R/W	Priority Mode 1, 0 Determine the priority between channels when there are transfer requests for multiple channels simultaneously. 00: CH0 > CH1 > CH2 > CH3 > CH4 > CH5 (DMAOR0) CH6 > CH7 > CH8 > CH9 > CH10 > CH11 (DMAOR1) 01: CH0 > CH2 > CH3 > CH1 > CH4 > CH5 (DMAOR0) CH6 > CH8 > CH9 > CH7 > CH10 > CH11 (DMAOR1) 10: Setting prohibited 11: Round-robin mode for CH0 to CH5 (DMAOR0) Round-robin mode for CH6 to CH11 (DMAOR1) When round-robin mode is specified, do not mix the cycle steal mode and the burst mode in any channels (channels 0 to 5) corresponding to DMAOR0. For any channels corresponding to DMAOR1 (channels 6 to 11), only normal mode 2 in the cycle steal mode (CHCR.LCKN = 1, CHCR.TB = 0) can be specified.
7 to 3	—	All 0	R	Reserved These bits are always read as 0. The write value should always be 0.

Bit	Bit Name	Initial Value	R/W	Descriptions
2	AE	0	R/(W)*	<p>Address Error Flag</p> <p>Indicates that an address error occurred during DMA transfer.</p> <p>This bit is set under following conditions.</p> <ul style="list-style-type: none"> • The value set in SAR or DAR does not match to the transfer size boundary. • The transfer source or transfer destination is undefined space on the address map. • The transfer source or transfer destination is in module stop mode <p>When the AE bit in DMAOR0 is set, DMA transfers for channels 0 to 5 are disabled even if the DE bit in CHCR of the channels (channels 0 to 5) corresponding to DMAOR0 and the DME bit in DMAOR0 are set to 1.</p> <p>When the AE bit in DMAOR1 is set, DMA transfers for channels 6 to 11 are disabled even if the DE bit in CHCR of the channels (channels 6 to 11) corresponding to DMAOR1 and the DME bit in DMAOR1 are set to 1.</p> <p>0: No DMAC address error</p> <p>[Clearing condition]: Write 0 to the AE bit after the bit is read as 1</p> <p>1: DMAC address error occurs</p>
1	NMIF	0	R/(W)*	<p>NMI Flag</p> <p>Indicates that an NMI interrupt occurred. If this bit is set, DMA transfer is disabled even if the DE bit in CHCR and the DME bit in DMAOR are set to 1.</p> <p>When the NMI is input, the DMA transfer is stopped. Set registers of all channels again after returning from the exception handling routine of a NMI and then start a transfer. When the DMAC does not operate, the NMIF bit is set to 1 even if the NMI interrupt is input.</p> <p>0: No NMI interrupt</p> <p>[Clearing condition]: Write 0 to NMIF after NMIF is read as 1</p> <p>1: NMI interrupt occurs</p>

Bit	Bit Name	Initial Value	R/W	Descriptions
0	DME	0	R/W	<p>DMA Master Enable</p> <p>Enables or disables DMA transfers on all channels (channels 0 to 5) corresponding to DMAOR0, and all channels (channels 6 to 11) corresponding to DMAOR1. If the DME bit, and the DE bit in CHCR are set to 1, transfer is enabled. All of the TE bit in CHCR in the channel that executes transfer, NMIF, and AE in DMAOR corresponding to channels should be 0. If the DME bit is cleared to 0, transfers in all channels (channels 0 to 5) corresponding to DMAOR0 and all channels (channels 6 to 11) corresponding to DMAOR1 are aborted.</p> <p>In an on-chip peripheral module request, when aborting the transfer by clearing the DME bit, clear the DME bit while all on-chip peripheral module transfer requests corresponding channels of DMAOR is cleared.</p> <p>0: DMA transfers on channels 0 to 5 disabled (DMAOR0) DMA transfers on channels 6 to 11 disabled (DMAOR1)</p> <p>1: DMA transfers on channels 0 to 5 enabled (DMAOR0) DMA transfers on channels 6 to 11 enabled (DMAOR1)</p>

Note: * To clear the flag, 0 can be written to.

14.3.9 DMA Extended Resource Selectors 0 to 5 (DMARS0 to DMARS5)

DMARS are 16-bit readable/writable registers. DMARS0, DMARS1, DMARS2, DMARS3, DMARS4, and DMARS5 specify DMA transfer request source from peripheral modules for channels 0 and 1, channels 2 and 3, channels 4 and 5, channels 6 and 7, channels 8 and 9, and channels 10 and 11 respectively. These registers can specify the transfer request of SCIF0 to SCIF5, HAC0, HAC1, HSPI, SIOF, SSI0, SSI1, FLCTL, and MMCIF.

When MID/RID other than the values listed in table 14.3 is specified, the operation of this LSI is not guaranteed. The transfer request from DMARS is valid only when the resource select bits RS3 to RS0 have been set to B'1000 for CHCR. When the bits are not set to B'1000, transfer request source is not accepted even if DMARS has been specified.

• DMARS0

Bit:	15	14	13	12	11	10	9	8	7	6	5	4	3	2	1	0
	Ch1MID						Ch1RID		Ch0MID						Ch0RID	
Initial value:	0	0	0	0	0	0	0	0	0	0	0	0	0	0	0	0
R/W:	R/W	R/W	R/W	R/W	R/W	R/W	R/W	R/W	R/W	R/W	R/W	R/W	R/W	R/W	R/W	R/W

• DMARS1

Bit:	15	14	13	12	11	10	9	8	7	6	5	4	3	2	1	0
	Ch3MID						Ch3RID		Ch2MID						Ch2RID	
Initial value:	0	0	0	0	0	0	0	0	0	0	0	0	0	0	0	0
R/W:	R/W	R/W	R/W	R/W	R/W	R/W	R/W	R/W	R/W	R/W	R/W	R/W	R/W	R/W	R/W	R/W

• DMARS2

Bit:	15	14	13	12	11	10	9	8	7	6	5	4	3	2	1	0
	Ch5MID						Ch5RID		Ch4MID						Ch4RID	
Initial value:	0	0	0	0	0	0	0	0	0	0	0	0	0	0	0	0
R/W:	R/W	R/W	R/W	R/W	R/W	R/W	R/W	R/W	R/W	R/W	R/W	R/W	R/W	R/W	R/W	R/W

• DMARS3

Bit:	15	14	13	12	11	10	9	8	7	6	5	4	3	2	1	0
	Ch7MID						Ch7RID		Ch6MID						Ch6RID	
Initial value:	0	0	0	0	0	0	0	0	0	0	0	0	0	0	0	0
R/W:	R/W	R/W	R/W	R/W	R/W	R/W	R/W	R/W	R/W	R/W	R/W	R/W	R/W	R/W	R/W	R/W

- DMARS4

Bit:	15	14	13	12	11	10	9	8	7	6	5	4	3	2	1	0
	Ch9MID						Ch9RID		Ch8MID						Ch8RID	
Initial value:	0	0	0	0	0	0	0	0	0	0	0	0	0	0	0	0
R/W:	R/W	R/W	R/W	R/W	R/W	R/W	R/W	R/W	R/W	R/W	R/W	R/W	R/W	R/W	R/W	R/W

- DMARS5

Bit:	15	14	13	12	11	10	9	8	7	6	5	4	3	2	1	0
	Ch11MID						Ch11RID		Ch10MID						Ch10RID	
Initial value:	0	0	0	0	0	0	0	0	0	0	0	0	0	0	0	0
R/W:	R/W	R/W	R/W	R/W	R/W	R/W	R/W	R/W	R/W	R/W	R/W	R/W	R/W	R/W	R/W	R/W

- DMARS0

Bit	Bit Name	Initial Value	R/W	Descriptions
15	C1MID5	0	R/W	Transfer request source module ID5 to ID0 for DMA channel 1 (MID) See table 14.3.
14	C1MID4	0	R/W	
13	C1MID3	0	R/W	
12	C1MID2	0	R/W	
11	C1MID1	0	R/W	
10	C1MID0	0	R/W	
9	C1RID1	0	R/W	Transfer request source register ID1 and ID0 for DMA channel 1 (RID) See table 14.3.
8	C1RID0	0	R/W	
7	C0MID5	0	R/W	Transfer request source module ID5 to ID0 for DMA channel 0 (MID) See table 14.3.
6	C0MID4	0	R/W	
5	C0MID3	0	R/W	
4	C0MID2	0	R/W	
3	C0MID1	0	R/W	
2	C0MID0	0	R/W	
1	C0RID1	0	R/W	Transfer request source register ID1 and ID0 for DMA channel 0 (RID) See table 14.3.
0	C0RID0	0	R/W	

- DMARS1

Bit	Bit Name	Initial Value	R/W	Descriptions
15	C3MID5	0	R/W	Transfer request source module ID5 to ID0 for DMA channel 3 (MID)
14	C3MID4	0	R/W	
13	C3MID3	0	R/W	See table 14.3.
12	C3MID2	0	R/W	
11	C3MID1	0	R/W	
10	C3MID0	0	R/W	
9	C3RID1	0	R/W	Transfer request source register ID1 and ID0 for DMA channel 3 (RID)
8	C3RID0	0	R/W	
				See table 14.3.
7	C2MID5	0	R/W	Transfer request source module ID5 to ID0 for DMA channel 2 (MID)
6	C2MID4	0	R/W	
5	C2MID3	0	R/W	See table 14.3.
4	C2MID2	0	R/W	
3	C2MID1	0	R/W	
2	C2MID0	0	R/W	
1	C2RID1	0	R/W	Transfer request source register ID1 and ID0 for DMA channel 2 (RID)
0	C2RID0	0	R/W	
				See table 14.3.

- DMARS2

Bit	Bit Name	Initial Value	R/W	Descriptions
15	C5MID5	0	R/W	Transfer request source module ID5 to ID0 for DMA channel 5 (MID) See table 14.3.
14	C5MID4	0	R/W	
13	C5MID3	0	R/W	
12	C5MID2	0	R/W	
11	C5MID1	0	R/W	
10	C5MID0	0	R/W	
9	C5RID1	0	R/W	Transfer request source register ID1 and ID0 for DMA channel 5 (RID) See table 14.3.
8	C5RID0	0	R/W	
7	C4MID5	0	R/W	Transfer request source module ID5 to ID0 for DMA channel 4 (MID) See table 14.3.
6	C4MID4	0	R/W	
5	C4MID3	0	R/W	
4	C4MID2	0	R/W	
3	C4MID1	0	R/W	
2	C4MID0	0	R/W	
1	C4RID1	0	R/W	Transfer request source register ID1 and ID0 for DMA channel 4 (RID) See table 14.3.
0	C4RID0	0	R/W	

- DMARS3

Bit	Bit Name	Initial Value	R/W	Descriptions
15	C7MID5	0	R/W	Transfer request source module ID5 to ID0 for DMA channel 7 (MID)
14	C7MID4	0	R/W	
13	C7MID3	0	R/W	See table 14.3.
12	C7MID2	0	R/W	
11	C7MID1	0	R/W	
10	C7MID0	0	R/W	
9	C7RID1	0	R/W	Transfer request source register ID1 and ID0 for DMA channel 7 (RID)
8	C7RID0	0	R/W	
				See table 14.3.
7	C6MID5	0	R/W	Transfer request source module ID5 to ID0 for DMA channel 6 (MID)
6	C6MID4	0	R/W	
5	C6MID3	0	R/W	See table 14.3.
4	C6MID2	0	R/W	
3	C6MID1	0	R/W	
2	C6MID0	0	R/W	
1	C6RID1	0	R/W	Transfer request source register ID1 and ID0 for DMA channel 6 (RID)
0	C6RID0	0	R/W	
				See table 14.3.

- DMARS4

Bit	Bit Name	Initial Value	R/W	Descriptions
15	C9MID5	0	R/W	Transfer request source module ID5 to ID0 for DMA channel 9 (MID) See table 14.3.
14	C9MID4	0	R/W	
13	C9MID3	0	R/W	
12	C9MID2	0	R/W	
11	C9MID1	0	R/W	
10	C9MID0	0	R/W	
9	C9RID1	0	R/W	Transfer request source register ID1 and ID0 for DMA channel 9 (RID) See table 14.3.
8	C9RID0	0	R/W	
7	C8MID5	0	R/W	Transfer request source module ID5 to ID0 for DMA channel 8 (MID) See table 14.3.
6	C8MID4	0	R/W	
5	C8MID3	0	R/W	
4	C8MID2	0	R/W	
3	C8MID1	0	R/W	
2	C8MID0	0	R/W	
1	C8RID1	0	R/W	Transfer request source register ID1 and ID0 for DMA channel 8 (RID) See table 14.3.
0	C8RID0	0	R/W	

- DMARS5

Bit	Bit Name	Initial Value	R/W	Descriptions
15	C11MID5	0	R/W	Transfer request source module ID5 to ID0 for DMA channel 11 (MID)
14	C11MID4	0	R/W	
13	C11MID3	0	R/W	See table 14.3.
12	C11MID2	0	R/W	
11	C11MID1	0	R/W	
10	C11MID0	0	R/W	
9	C11RID1	0	R/W	Transfer request source register ID1 and ID0 for DMA channel 11 (RID)
8	C11RID0	0	R/W	
				See table 14.3.
7	C10MID5	0	R/W	Transfer request source module ID5 to ID0 for DMA channel 10 (MID)
6	C10MID4	0	R/W	
5	C10MID3	0	R/W	See table 14.3.
4	C10MID2	0	R/W	
3	C10MID1	0	R/W	
2	C10MID0	0	R/W	
1	C10RID1	0	R/W	Transfer request source register ID1 and ID0 for DMA channel 10 (RID)
0	C10RID0	0	R/W	
				See table 14.3.

Table 14.3 List of Transfer Request Sources

Peripheral Module	Setting Value for One Channel (MID and RID fields)	MID	RID	Function
SSI0	H'03	B'000000	B'11	Transmit/receive
SSI1	H'07	B'000001	B'11	Transmit/receive
SCIF0	H'21	B'001000	B'01	Transmit
	H'22		B'10	Receive
SCIF1	H'25	B'001001	B'01	Transmit
	H'26		B'10	Receive
SCIF2	H'29	B'001010	B'01	Transmit
	H'2A		B'10	Receive
SCIF3	H'2D	B'001011	B'01	Transmit
	H'2E		B'10	Receive
SCIF4	H'31	B'001100	B'01	Transmit
	H'32		B'10	Receive
SCIF5	H'35	B'001101	B'01	Transmit
	H'36		B'10	Receive
HAC0	H'41	B'010000	B'01	Transmit
	H'42		B'10	Receive
HAC1	H'45	B'010001	B'01	Transmit
	H'46		B'10	Receive
SIOF	H'51	B'010100	B'01	Transmit
	H'52		B'10	Receive
FLCTL	H'83	B'100000	B'11	Transmit/receive of data part
	H'87	B'100001	B'11	Transmit/receive of management code part
MMCIF	H'93	B'100100	B'11	Transmit/receive
HSPI	H'A1	B'101000	B'01	Transmit
	H'A2		B'10	Receive

14.4 Operation

When DMA transfer is requested, the DMAC starts transfer according to the determined channel priority. When the transfer end conditions are satisfied, the DMAC ends transfer. Transfer requests have three modes: auto-request mode, external request mode, and on-chip peripheral module request mode. Bus modes can be chosen from burst mode or cycle steal mode.

14.4.1 DMA Transfer Requests

DMA transfer requests are basically generated in either the data transfer source or data transfer destination, but they can also be generated in external devices or on-chip peripheral modules that are neither the transfer source nor the transfer destination.

Transfers can be requested in three modes: auto-request, external request, and on-chip peripheral module request. The transfer request is selected by bits RS3 to RS0 in CHCR0 to CHCR11, and DMARS0 to DMARS5, according to DMA channels.

(1) Auto-Request Mode

Auto-request mode is a mode that automatically generates transfer request signal in the DMAC when there is no transfer request signal from an external source, like memory-to-memory transfer or a transfer between memory and an on-chip peripheral module that cannot generate transfer request. When the DE bit in CHCR, the DME bit in DMAOR0 for channels 0 to 5, and the DME bit in DMAOR1 for channels 6 to 11 are set to 1, transfers are started. In channels 0 to 5, the AE and NMIF bits in DMAOR0 should be all 0. In channels 6 to 11, the AE and NMIF bits in DMAOR1 should be all 0.

(2) External Request Mode

External request mode is a mode that starts transfer by the transfer request signal ($\overline{\text{DERQ0}}$ to $\overline{\text{DREQ3}}$) from the external device of this LSI. This mode is valid in only channels 0 to 3. Table 14.4 shows the external request mode settings. While DMA transfer is enabled (DE = 1, DME = 1, TE = 0, AE = 0, NMIF = 0), DMA transfer starts when DREQ is input.

Table 14.4 External Request Mode Setting with RS Bits

CHCR				Address Mode	Transfer Source	Transfer Destination
RS3	RS2	RS1	RS0			
0	0	0	0	Dual address mode	Any	Any

Choose whether DREQ is detected by edge or level with the DREQ level (DL) bit and DREQ select (DS) bit in CHCR0 to CHCR3 shown in table 14.5. The source of the transfer request does not have to be the transfer source or transfer destination.

Table 14.5 External Request Detection Selection with DL and DS Bits

CHCR		
DL	DS	Detection of External Request
0	0	Low level detection (initial value: $\overline{\text{DREQ}}$)
	1	Falling edge detection
1	0	High level detection
	1	Rising edge detection

When DREQ is accepted, the DREQ pin cannot accept requests. After acknowledge DACK is output to the accepted DREQ, the DREQ pin can accept requests again.

When DREQ is used for level detection, the timing to detect the next DREQ after outputting DACK depends on the DO bit in CHCR.

For details, see section 14.4.7, DREQ Pin Sampling Timing.

Table 14.6 Selecting External Request Detection with the DO Bit

CHCR	
DO	External Request
0	Overrun 0 (initial value)
1	Overrun 1

DACK can be output to only LBSC space, and is output at the same timing as $\overline{\text{CSn}}$. The setting whether DACK is output during the reading or writing cycle is selected by the AM bit in CHCR shown in table 14.7.

Table 14.7 Acknowledge Mode Selection with AM Bit

CHCR	
AM	External Request
0	DACK output during the reading cycle (initial value)
1	DACK output during the writing cycle

(3) On-Chip Peripheral Module Request Mode

On-chip peripheral module request mode is a mode that performs transfer by DMA transfer request signal from an on-chip peripheral module. DMA transfer request signals include a transmit data empty transfer request and receive data full transfer request that are from the SCIF0 to SCIF5, HAC0, HAC1, HSPI, SIOF, SSI0, SSI1, and MMCIF set in DMARS0 to DMARS5, and a transfer request from the FLCTL.

If the DMA transfer is enabled ($DE = 1$, $DME = 1$, $TE = 0$, $AE = 0$, $NMIF = 0$) in this mode, a transfer is performed by transfer request signal.

When a transmit data empty transfer request of the SCIF0 is specified as the transfer request, the transfer destination must be the SCIF0's transmit data register. Likewise, when receive data full transfer request of the SCIF0 is specified as the transfer request, the transfer source must be the SCIF0's receive data register. These conditions also apply to the SCIF1 to SCIF5, HAC0, HAC1, HSPI, SIOF, SSI0, SSI1 and MMCIF.

Table 14.8 shows the settings required to select the on-chip peripheral module request mode.

Table 14.8 List of On-Chip Peripheral Module Request Modes

CHCR RS[3:0]	DMARS		DMA Transfer				Bus Mode
	MID	RID	Request Source	DMA Transfer Request Signal	Source	Destination	
1000	000000	11	SSI0 transmitter	Transmit data empty request (In transmit mode, the DMRQ bit in the SSISR0 register is 1.)	Any	SSITDR0	Cycle steal
			SSI0 receiver	Unread data is present (In receive mode, the DMRQ bit in the SSISR0 register is 1.)	SSIRDR0	Any	Cycle steal
	000001	11	SSI1 transmitter	Transmit data empty request (In transmit mode, the DMRQ bit in the SSISR1 register is 1.)	Any	SSITDR1	Cycle steal
			SSI1 receiver	Unread data is present (In receive mode, the DMRQ bit in the SSISR1 register is 1.)	SSIRDR1	Any	Cycle steal
	001000	01	SCIF0 transmitter	TXI (transmit FIFO data empty)	Any	SCFTDR0	Cycle steal
			10	SCIF0 receiver	RXI (receive FIFO data full)	SCFRDR0	Any
	001001	01	SCIF1 transmitter	TXI (transmit FIFO data empty)	Any	SCFTDR1	Cycle steal
			10	SCIF1 receiver	RXI (receive FIFO data full)	SCFRDR1	Any
	001010	01	SCIF2 transmitter	TXI (transmit FIFO data empty)	Any	SCFTDR2	Cycle steal
			10	SCIF2 receiver	RXI (receive FIFO data full)	SCFRDR2	Any
	001011	01	SCIF3 transmitter	TXI (transmit FIFO data empty)	Any	SCFTDR3	Cycle steal
			10	SCIF3 receiver	RXI (receive FIFO data full)	SCFRDR3	Any
	001100	01	SCIF4 transmitter	TXI (transmit FIFO data empty)	Any	SCFTDR4	Cycle steal
			10	SCIF4 receiver	RXI (receive FIFO data full)	SCFRDR4	Any

CHCR RS[3:0]	DMARS		DMA Transfer				Bus Mode
	MID	RID	Request Source	DMA Transfer Request Signal	Source	Destination	
1000	001101	01	SCIF5 transmitter	TXI (transmit FIFO data empty)	Any	SCFTDR5	Cycle steal
		10	SCIF5 receiver	RXI (receive FIFO data full)	SCFRDR5	Any	Cycle steal
010000	01	01	HAC0 transmitter	Transmit data empty request	Any	HACPCML0, HACPCMR0	Cycle steal
		10	HAC0 receiver	Unread receive data is present	HACPCML0, HACPCMR0	Any	Cycle steal
010001	01	01	HAC1 transmitter	Transmit data empty request	Any	HACPCML1, HACPCMR1	Cycle steal
		10	HAC1 receiver	Unread receive data is present	HACPCML1, HACPCMR1	Any	Cycle steal
010100	01	01	SIOF transmitter	Transmit FIFO data empty request	Any	SITDR	Cycle steal
		10	SIOF receiver	Receive FIFO data full request	SIRDR	Any	Cycle steal
100000	11	01	FLCTL data part transmitter	Transmit FIFO data empty request	Any	FLDTFIFO	Cycle steal
		10	FLCTL data part receiver	Receive FIFO data full request	FLDTFIFO	Any	Cycle steal
100001	11	01	FLCTL management code part transmitter	Transmit FIFO data empty request	Any	FLECFIFO	Cycle steal
		10	FLCTL management code part receiver	Receive FIFO data full request	FLECFIFO	Any	Cycle steal
100100	11	01	MMCIF data part transmitter	FIFO write request	Any	DR	Cycle steal
		10	MMCIF data part receiver	FIFO read request	DR	Any	Cycle steal
101000	01	01	HSPI transmitter	Transmit data	Any	SPTBR	Cycle steal
		10	HSPI receiver	Receive data	SPRBR	Any	Cycle steal

14.4.2 Channel Priority

When the DMAC receives transfer requests on two or more channels simultaneously, it transfers data according to a determined priority. Modes are chosen from among fixed mode and round-robin mode. Modes are selected by bits PR1 and PR0 in DMAOR0 (channels 0 to 5) and DMAOR1 (channels 6 to 11).

The relationship between channels 0 to 5 and channels 6 to 11 is round-robin.

The priority immediately after reset is CH0 to CH5 > CH6 to CH11.

(1) Fixed Mode

In fixed mode, the channel priority does not change. There are two kinds of fixed modes as follows.

- Channels 0 to 5
 - CH0 > CH1 > CH2 > CH3 > CH4 > CH5
 - CH0 > CH2 > CH3 > CH1 > CH4 > CH5
- Channels 6 to 11
 - CH6 > CH7 > CH8 > CH9 > CH10 > CH11
 - CH6 > CH8 > CH9 > CH7 > CH10 > CH11

These are selected by bits PR1 and PR0 in DMAOR0 and DMAOR1.

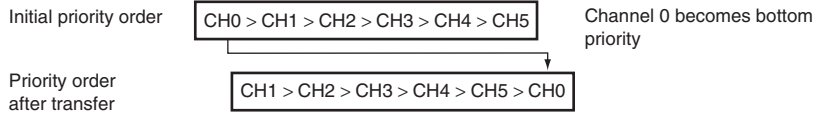
(2) Round-Robin Mode

In round-robin mode, each time data of one transfer unit (byte, word, longword, 16-byte, or 32-byte unit) is transferred on one channel, the channel on which the transfer has just ended is the bottom of the priority. Figure 14.2 shows the round-robin mode operation. The priority of round-robin mode immediately after reset is CH0 > CH1 > CH2 > CH3 > CH4 > CH5, and CH6 > CH7 > CH8 > CH9 > CH10 > CH11.

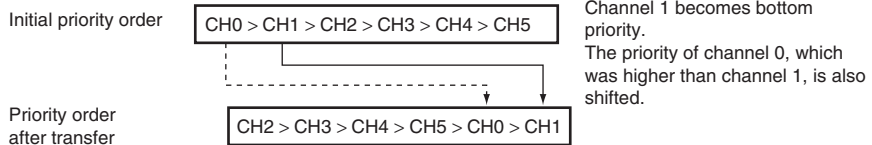
When round-robin mode is specified, do not mix cycle steal mode and burst mode in all channels (channels 0 to 5) corresponding to DMAOR0.

All channels (channels 6 to 11) corresponding to DMAOR1 can be set in only normal mode 2 (CHCR.LCKN=1, CHCR.TB=0) for cycle steal mode.

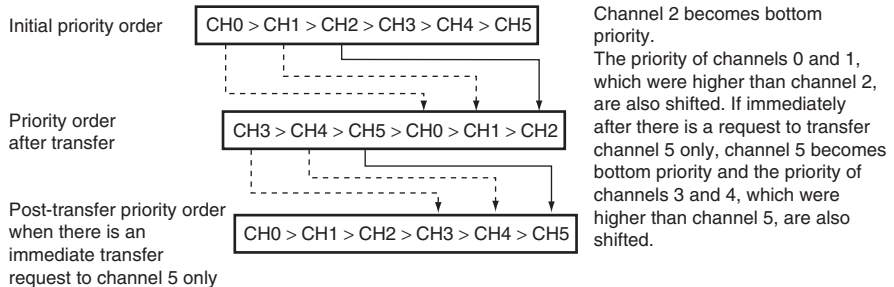
(1) When channel 0 transfers



(2) When channel 1 transfers



(3) When channel 2 transfers



(4) When channel 5 transfers

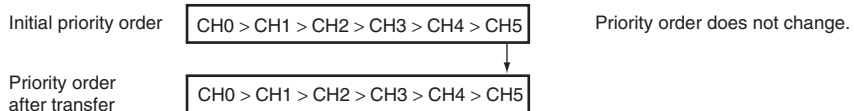
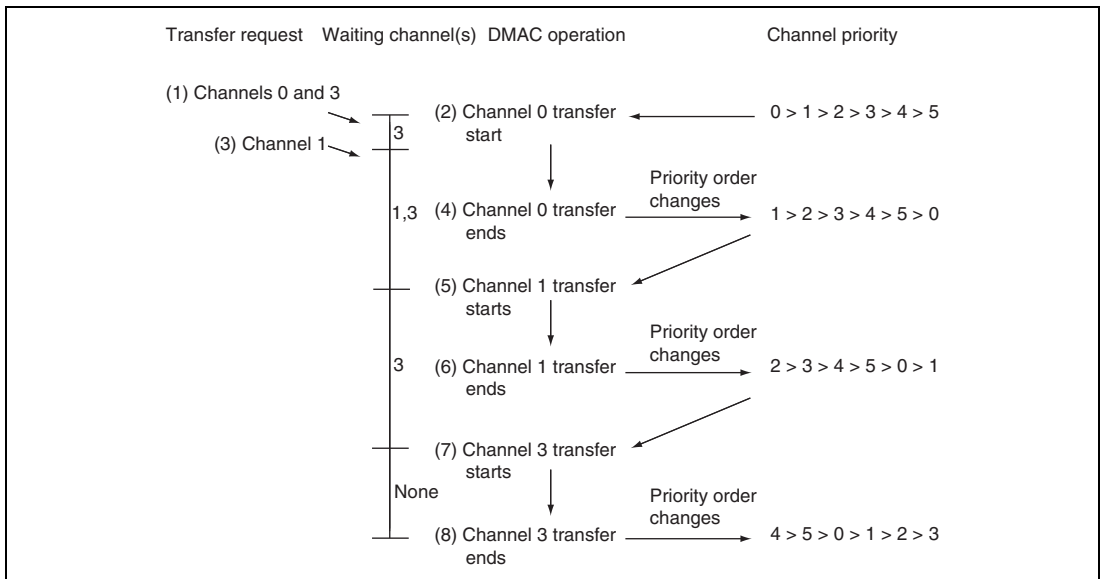


Figure 14.2 Round-Robin Mode (Example of Channels 0 to 5)

Figure 14.3 shows how the priority changes when channel 0 and channel 3 transfers are requested simultaneously and a channel 1 transfer is requested during the channel 0 transfer. The DMAC operates as follows:

1. Transfer requests are generated simultaneously to channels 0 and 3.
2. As channel 0 has a higher priority, the channel 0 transfer starts (channel 3 is waiting for transfer).
3. A channel 1 transfer request occurs during the channel 0 transfer (channels 1 and 3 are waiting for transfer).
4. When the channel 0 transfer ends, channel 0 has the lowest priority.
5. As channel 1 has a higher priority than channel 3 at this point, the channel 1 transfer starts (channel 3 is waiting for transfer).
6. When the channel 1 transfer ends, channel 1 has the lowest priority.
7. The channel 3 transfer starts.
8. When the channel 3 transfer ends, channels 3 and 2 have lower priority so that channel 3 has the lowest priority.



**Figure 14.3 Changes in Channel Priority in Round-Robin Mode
(Example of Channels 0 to 5)**

14.4.3 DMA Transfer Types

Tables 14.9 and 14.10 show the transfer directions that can be supported by the DMAC.

DMA transfer type supports dual address mode. A data transfer timing depends on the bus mode. Bus modes include cycle steal mode and burst mode.

Table 14.9 DMA Transfer Directions for Auto-Request and External Request*²

Transfer Source	Transfer Destination				
	LBSC Space	DBSC Space	PCIC Space	On-Chip Peripheral Module* ¹	L or U Memory
LBSC Space	Y	Y	Y	Y	Y
DBSC Space	Y	Y	Y	Y	Y
PCIC Space	Y	Y	Y	Y	Y
On-Chip Peripheral Module* ¹	Y	Y	Y	Y	Y
L or U Memory	Y	Y	Y	Y	Y

Legend:

Y: Transfer is enabled.

Notes: 1. This is the access size that is permitted by a register when the transfer source or destination is a peripheral module.

2. External requests apply to only channels 0 to 3.

Table 14.10 DMA Transfer Directions for On-Chip Peripheral Module Request^{*2,*3}

Transfer Source	Transfer Destination				
	LBSC Space	DBSC Space	PCIC Space	On-Chip Peripheral Module ^{*1}	L or U Memory
LBSC Space	N	N	N	Y	N
DBSC Space	N	N	N	Y	N
PCIC Space	N	N	N	Y	N
On-Chip Peripheral Module ^{*1}	Y	Y	Y	Y	Y
L or U Memory	N	N	N	Y	N

Legend:

Y: Transfer is enabled.

N: Transfer is disabled.

- Notes:
1. This is the access size that is permitted by a register when the transfer source or destination is an on-chip peripheral module.
 2. The transfer source or destination must be the request source register for an on-chip peripheral module request.
 3. Only cycle steal mode can be set.

(1) Dual Address Mode

In dual address mode, both the transfer source and transfer destination are accessed by address. The source and destination can be specified externally or internally. Data is read from the transfer source in a data read cycle and written to the transfer destination in a data write cycle, and two bus cycles are required to execute DMA transfer. At this time, transfer data is temporarily stored in the DMAC. In the transfer between external memories shown in figure 14.4, data is read from an external memory to the DMAC in a data read cycle, and then the data is written to the other external memory in a write cycle.

Figure 14.5 shows the DMA transfer timing in dual address mode.

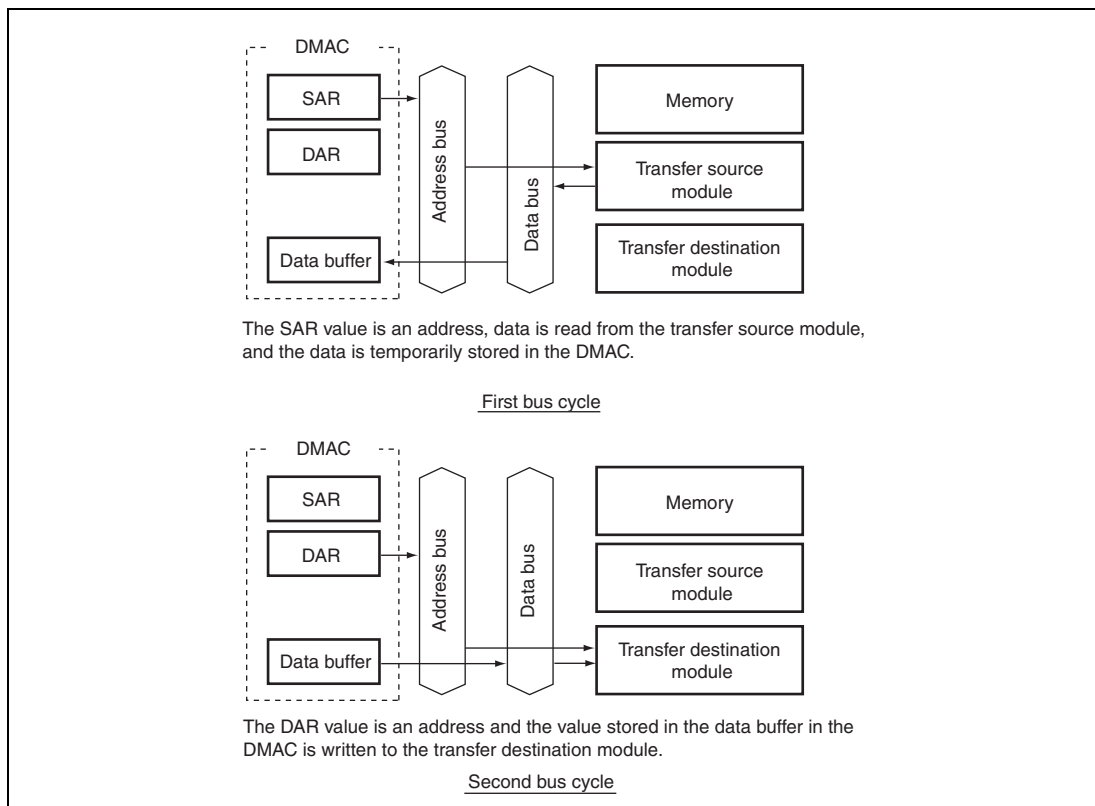
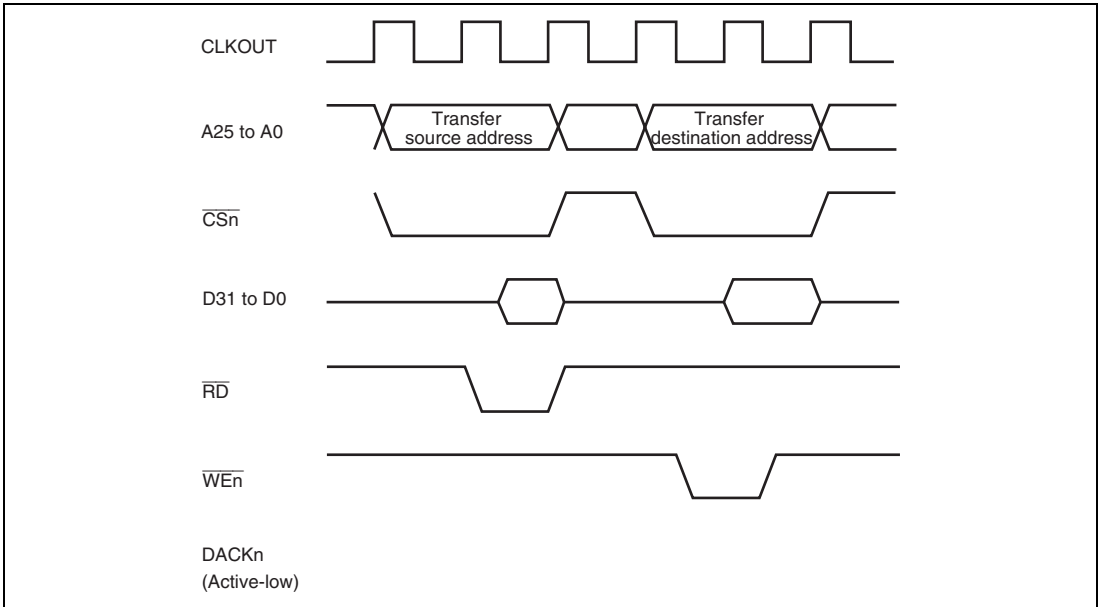


Figure 14.4 Data Flow of Dual Address Mode



**Figure 14.5 Example of DMA Transfer Timing in Dual Address Mode
(Source: SRAM, Destination: DDR-SDRAM)**

(2) Bus Modes

Bus modes include cycle steal mode and burst mode. The modes are chosen by the TB and LCKN bits in CHCR.

(a) Cycle Steal Mode

- Normal mode 1 (CHCR.LCKN = 0, CHCR.TB = 0)

In cycle steal normal mode 1, the DMAC gives the SuperHyway bus mastership to another bus master after a one-transfer unit (byte, word, longword, 16-byte, or 32-byte unit). When the next transfer is requested, the DMAC issues the next transfer request, another transfer is performed for one-transfer unit. When the transfer ends, the DMAC gives bus mastership to the other bus master. This is repeated until the transfer end conditions are satisfied.

Cycle steal normal mode 1 can be set for only channels 0 to 5.

Figure 14.6 shows an example of DMA transfer timing in cycle steal normal mode 1.

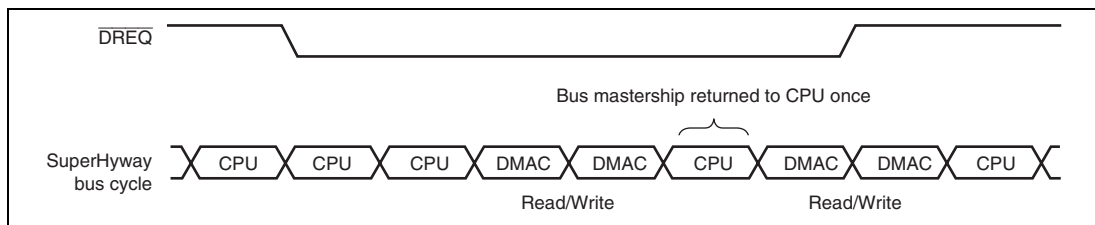


Figure 14.6 DMA Transfer Timing Example in Cycle Steal Normal Mode 1 (DREQ Low Level Detection)

- Normal mode 2 (CHCR.LCKN = 1, CHCR.TB = 0)

In cycle steal normal mode 2, the DMAC does not keep the SuperHyway bus mastership, and obtains the bus mastership in every transfer unit of read or write cycle.

Figure 14.7 shows an example of DMA transfer timing in cycle steal normal mode 2.

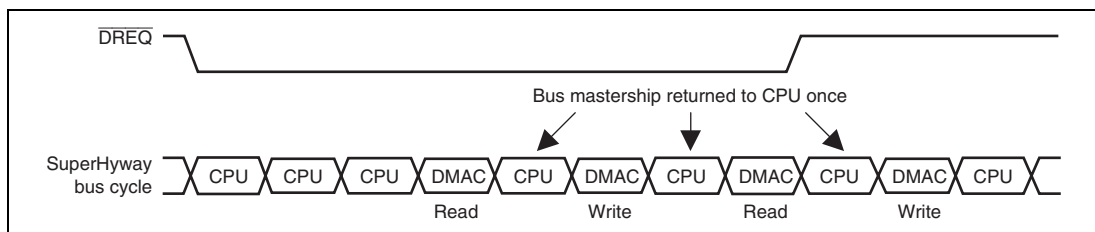


Figure 14.7 DMA Transfer Timing Example in Cycle Steal Normal Mode 2 (DREQ Low Level Detection)

- Intermittent mode 16 (DMAOR.CMS = 10, CHCR.LCKN = 0 or 1, CHCR.TB = 0)
- Intermittent mode 64 (DMAOR.CMS = 11, CHCR.LCKN = 0 or 1, CHCR.TB = 0)

In intermittent mode of cycle steal, the DMAC gives the SuperHyway bus mastership to other bus master whenever a one-transfer unit (byte, word, longword, or 16-byte or 32-byte unit) is completed. After that, if the next transfer request occurs, the DMAC issues the next transfer request after waiting for 16 or 64 clocks in Bck, transfers data of one-transfer unit again, and returns the SuperHyway bus mastership to other bus master. These operations are repeated until the transfer end condition is satisfied. It is possible to make lower the ratio of bus occupation by DMA transfer than cycle steal normal modes 1 and 2.

When the DMAC issues the next transfer request again, DMA transfer can be postponed in case of entry updating due to cache miss.

The intermittent modes must be cycle steal mode in all channels (channels 0 to 5) corresponding to DMAOR0 or all channels (channels 6 to 11) corresponding to DMAOR1.

Figure 14.8 shows an example of DMA transfer timing in cycle steal intermittent mode.

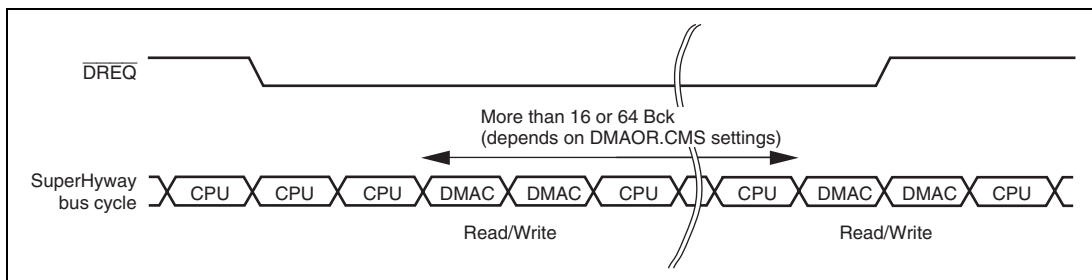


Figure 14.8 Example of DMA Transfer Timing in Cycle Steal Intermittent Mode (DREQ Low Level Detection)

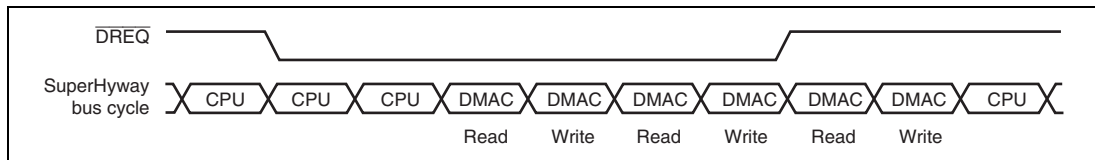
(b) Burst Mode (CHCR.LCKN = 1, CHCR.TB = 1)

In burst mode, once the DMAC obtains the SuperHyway bus mastership, the transfer is performed continuously without releasing the bus mastership until the transfer end condition is satisfied. If the DREQ is detected at level in external request mode, when the DREQ pin is not active, the DMAC passes bus mastership to the other bus master after the DMAC transfer request that has already been accepted ends, even if the transfer end conditions have not been satisfied.

Burst mode is not available when an on-chip peripheral module is the transfer request source.

Burst mode can be set for only channels 0 to 5.

Figure 14.9 shows DMA transfer timing in burst mode.



**Figure 14.9 DMA Transfer Timing Example in Burst Mode
(DREQ Low Level Detection)**

(3) Bus Mode and Channel Priority

Figure 14.10 shows the bus modes and channel priority in priority fixed mode.

In priority fixed mode ($CH0 > CH1$), when channel 1 is transferring in burst mode, the transfer of channel 0 starts immediately if there is a transfer request to channel 0 with a higher priority.

At this time, if channel 0 is also in burst mode, the channel 1 transfer continues after the channel 0 transfer has completely ended. (Figure 14.10 (h))

When channel 0 is in cycle steal mode, channel 0 with a higher priority performs the transfer of one transfer unit and the channel 1 transfer is continuously performed without releasing the bus mastership. The bus mastership then switches between the two in the order channel 0, channel 1, channel 0, and channel 1. (Figure 14.10 (d))

In other words, the bus status looks as if the CPU cycle reached after the transfer in cycle steal mode is replaced with transfer in burst mode (the status is called "burst mode priority execution").

When multiple channels are operating in burst modes, the channel with the highest priority is executed first.

When DMA transfer is executed in the multiple channels, the bus mastership is not given to the bus master until all competing burst transfers are completed.

In round-robin mode, the priority changes according to the specification shown in figure 14.3. However, the channel in cycle steal mode and the channel in burst mode cannot be mixed.

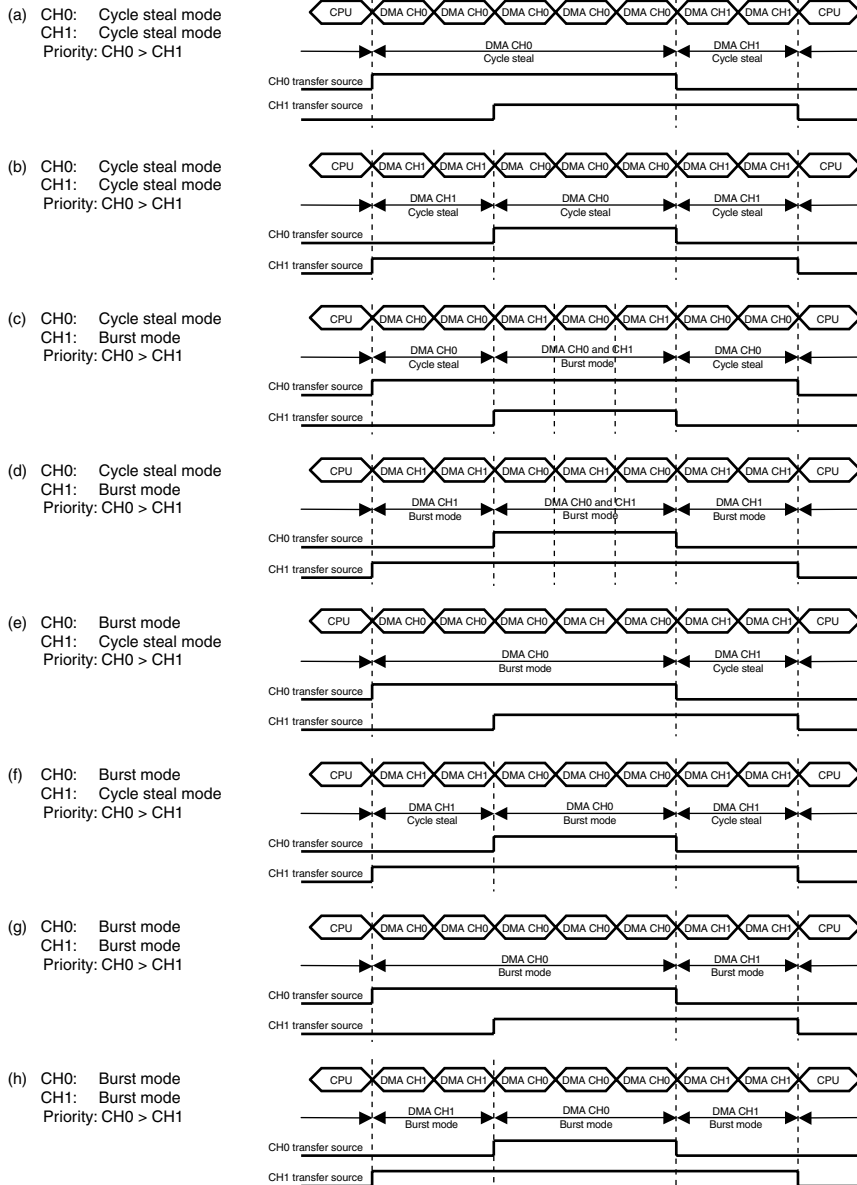


Figure 14.10 Bus Mode and Channel Priority in Priority Fixed Mode

14.4.4 DMA Transfer Flow

After intended transfer conditions are set to SAR, DAR, TCR, CHCR, DMAOR, and DMARS, the DMAC transfers data according to the following procedure.

1. Checks if transfer is enabled ($DE = 1$, $DME = 1$, $TE = 0$, $AE = 0$, $NMIF = 0$)
2. When a transfer request occurs while transfer is enabled, the DMAC transfers one transfer unit of data (depending on the settings of TS0, TS1, and TS2). In auto-request mode, the transfer starts automatically when the DE and DME bits are set to 1. The TCR is decremented for each transfer. The actual transfer flows depend on address mode and bus mode.
3. When the specified number of transfers has been completed (when TCR is 0), the transfer ends successfully. If the IE bit in CHCR is set to 1 at this time, a DMINT interrupt is sent to the CPU.
4. When an address error or an NMI interrupt is generated by the DMAC, the transfer is aborted. Transfers are also aborted when the DE bit in CHCR or the DME bit in DMAOR is cleared to 0.

Figure 14.11 shows a flowchart of DMA transfer.

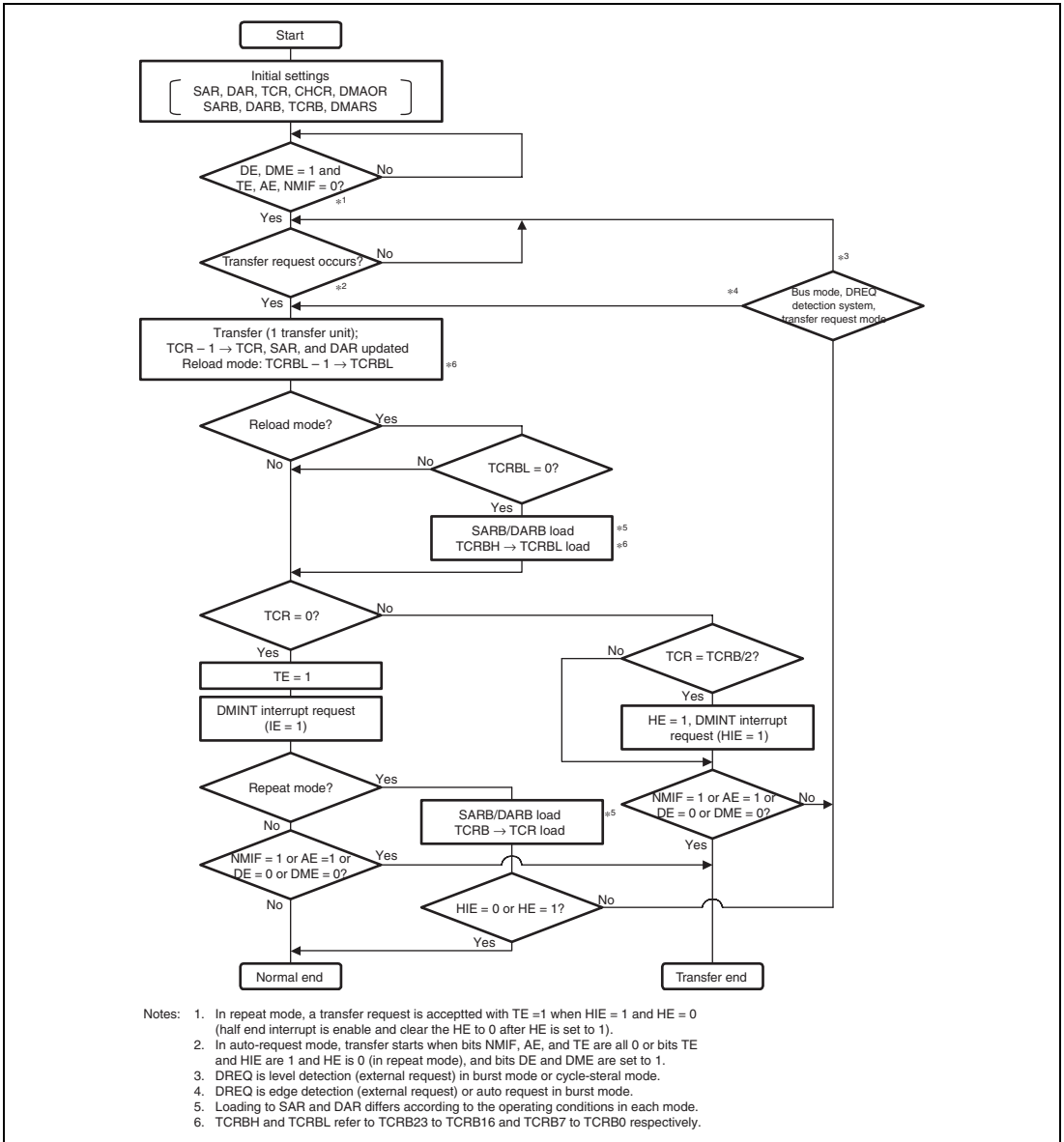


Figure 14.11 Flowchart of DMA Transfer

14.4.5 Repeat Mode Transfer

A repeat mode transfer of the DMAC enables a DMA transfer to repeat without specifying the transfer settings before a transfer.

Using a repeat mode transfer with the half end function can execute a double buffer transfer virtually. This function can execute the following procedures efficiently. As an example, the operation in receiving voice data from the VOICE CODEC and compressing the data is described.

The process described supposes that processing of compressing is executed whenever 40-word voice data is received. Suppose that voice data is received by SIOF.

1. DMAC settings

- Set the address of the SIOF receive data register in SAR
- Set the address of an internal memory data store area in DAR
- Set TCR to H'50 (80 times)
- Set the following values to CHCR
 - RPT (bits 27 to 25) = B'010: Repeat mode (use DAR as a repeat area)
 - HIE (bit 18) = B'1: TCR/2 interrupt generated
 - DM (bits 15 and 14) = B'01: DAR incremented
 - SM (bits 13 and 12) = B'00: SAR fixed
 - IE (bit 2) = B'1: Interrupt enabled
 - DE (bit 0) = B'1: DMA transfer enabled
- Set bits such as bits TB and TS according to use conditions
- Set bits CMS and PR in DMAOR according to use conditions and set the DME bit to 1

2. Voice data is received and transferred by SIOF/DMAC

3. TCR is decreased to half of the initial value and an interrupt is generated

After reading CHCR and confirming that the HE (bit 19) is set to 1 by an interrupt processing, clear HE (bit 19) to 0 and compress 40-word voice data from the address set in DAR.

4. TCR is cleared to 0 and an interrupt is generated

After reading CHCR and confirming that the TE bit is set to 1 with an interrupt processing, clear the TE bit to 0 and compress 40-word voice data from the address that is obtained by adding 40 to the address set in DAR. After this operation, the value of DARB is copied to DAR in DMAC and initialized, and the value of TCRB is copied to TCR and initialized to H'50 (80 times).

5. Steps 2 to 4 are repeated until the DME or DE bit is set to B'0, or an NMI interrupt is generated. (If the HE bit is not cleared to 0 in the procedure 2 or if the TE bit is not cleared to 0 in the procedure 4, the transfer is stopped when both the HE and TE bits are set to 1.)

This function enables sequential voice compression by switching a storing buffer for data received consequentially and a data buffer for processing signals alternately.

14.4.6 Reload Mode Transfer

In a reload mode transfer, according to the settings of bits RPT in CHCR, the value set in SARB/DARB is reloaded to SAR/DAR at each transfer set in bits 23 to 16 and bits 7 to 0 in TCRB, and the transfer is repeated until TCR is 0 without specifying the transfer again. This function is effective when data transfer with specific area is repeatedly executed. Figure 14.12 shows the operation of reload mode transfer.

In reload mode, TCRB is used as a reload counter. See section 14.3.6, DMA Transfer Count Registers B0 to B3, B6 to B9 (TCRB0 to TCRB3, TCRB6 to TCRB9), and set TCRB.

Figure 14.12 shows an example of reload mode settings.

The relationship between the register settings and the source and destination addresses of reload mode transfer is described below.

Register settings

Set the source address in SAR (the data written to SAR is also written to SARB.)

Set the destination address in DAR

Set H'0000000C to TCR (12 transfers)

Set H'00040004 to TCRB (Reloading for every four transfers)

Set CHCR as follows.

RPT (bits 27 to 25) = B'111: Reload mode (Reloading SAR)

DM (bits 15 to 14) = B'01: An increase in DAR

SM (bits 13 to 12) = B'01: An increase in SAR

TS (bit 20 and bits 4 to 3) = B'010: Transfer for each (four-byte) longword

DMA transfer source addresses and DMA transfer destination addresses in the above register settings

Cycle 1:	Source address = SAR	Destination address = DAR
Cycle 2:	Source address = SAR + H'04	Destination address = DAR + H'04
Cycle 3:	Source address = SAR + H'08	Destination address = DAR + H'08
Cycle 4:	Source address = SAR + H'0C	Destination address = DAR + H'0C
Cycle 5:	Source address = SAR	Destination address = DAR + H'10 (reloading the value of SARB in SAR)
Cycle 6:	Source address = SAR + H'04	Destination address = DAR + H'14
Cycle 7:	Source address = SAR + H'08	Destination address = DAR + H'18
Cycle 8:	Source address = SAR + H'0C	Destination address = DAR + H'1C
Cycle 9:	Source address = SAR	Destination address = DAR + H'20 (reloading the value of SARB in SAR)
Cycle 10:	Source address = SAR + H'04	Destination address = DAR + H'24
Cycle 11:	Source address = SAR + H'08	Destination address = DAR + H'28
Cycle 12:	Source address = SAR + H'0C	Destination address = DAR + H'2C

Figure 14.12 Example of Operation Based on Reload Mode Settings

14.4.7 DREQ Pin Sampling Timing

Figures 14.13 to 14.22 show the timing that the DREQ input is sampled in each bus mode.

Figures 14.13, 14.16, and 14.20 show the timing that the DREQ input is sampled when byte transfer is performed in 8-, 16-, 32-, or 64-bit bus width, word transfer is performed in 16-, 32-, or 64-bit bus width, or longword transfer is performed in 32- or 64-bit bus width. DACK is output once in DMA1 transfer.

Figures 14.14, 14.17, and 14.21 show the timing that the DREQ input is sampled when word transfer is performed in 8-bit bus width, longword transfer is performed in 8- or 16-bit bus width, or 16- or 32-byte transfer is performed in 8-, 16-, 32-, or 64-bit bus width. These figures suppose that DACK of DMA1 transfer is divided.

Figures 14.15, 14.18, and 14.22 show the timing that the DREQ input is sampled when word transfer is performed in 8-bit bus width, longword transfer is performed in 8- or 16-bit bus width, or 16- or 32-byte transfer is performed in 8-, 16-, 32-, or 64-bit bus width. These figures suppose that DACK of DMA1 transfer is connected.

When word transfer is performed in 8-bit bus width, longword transfer is performed in 8- or 16-bit bus width, or 16- or 32-byte transfer is performed in 8-, 16-, 32-, or 64-bit bus width, DMA transfer units are divided into multiple bus cycles. If DMA transfer size is divided into multiple bus cycles and CS is negated between bus cycles, DACK output is divided, like CS. For details, see section 11.5.16, Register Settings for Divided-Up $\overline{\text{DACK}}_n$ Output.

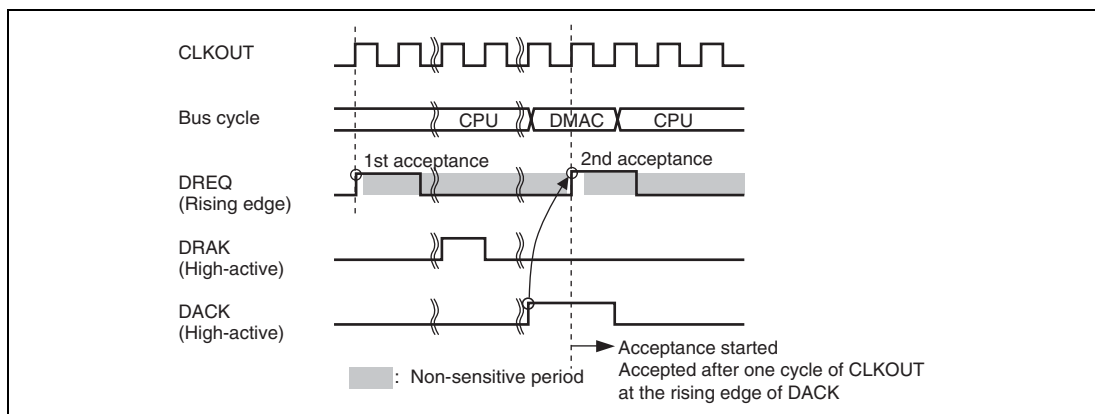


Figure 14.13 Example 1 of DREQ Input Detection in Cycle Steal Mode Edge Detection (Byte Transfer in 8/16/32/64-Bit Bus Width, Word Transfer in 16/32/64-Bit Bus Width, or Longword Transfer in 32/64-Bit Bus Width)

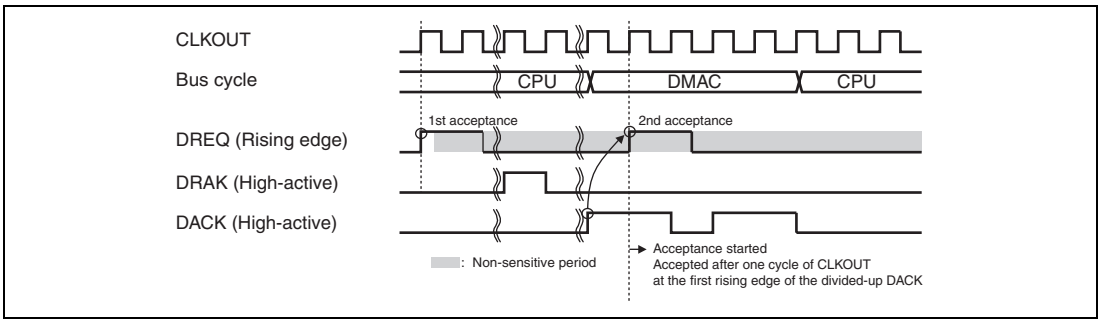


Figure 14.14 Example 2 of DREQ Input Detection in Cycle Steal Mode Edge Detection (Word Transfer in 8-Bit Bus Width, Longword Transfer in 8/16-Bit Bus Width, 16/32-Byte Transfer in 8/16/32/64-Bit Bus Width: DACK of DMA1 Transfer Divided)

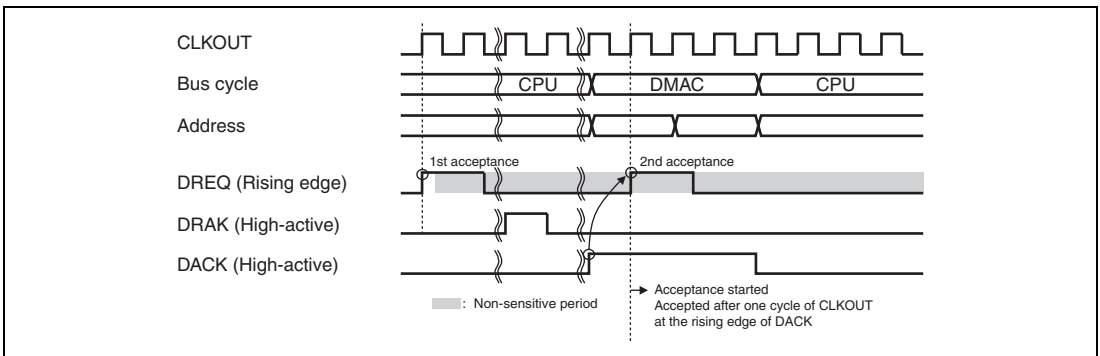


Figure 14.15 Example 3 of DREQ Input Detection in Cycle Steal Mode Edge Detection (Word Transfer in 8-Bit Bus Width, Longword Transfer in 8/16-Bit Bus Width, or 16/32-Byte Transfer in 8/16/32/64-Bit Bus Width: DACK of DMA1 Transfer Is Connected)

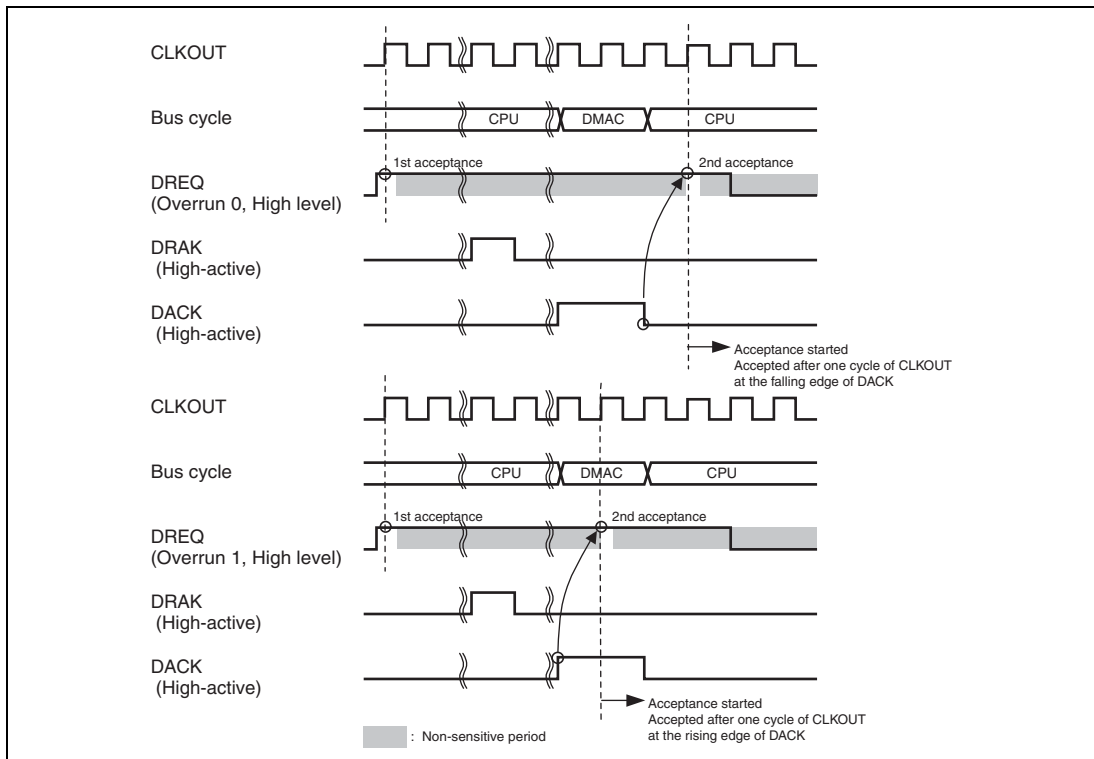


Figure 14.16 Example 1 of DREQ Input Detection in Cycle Steal Mode Level Detection (Byte Transfer in 8/16/32/64-Bit Bus Width, Word Transfer in 16/32/64-Bit Bus Width, or Longword Transfer in 32/64-Bit Bus Width)

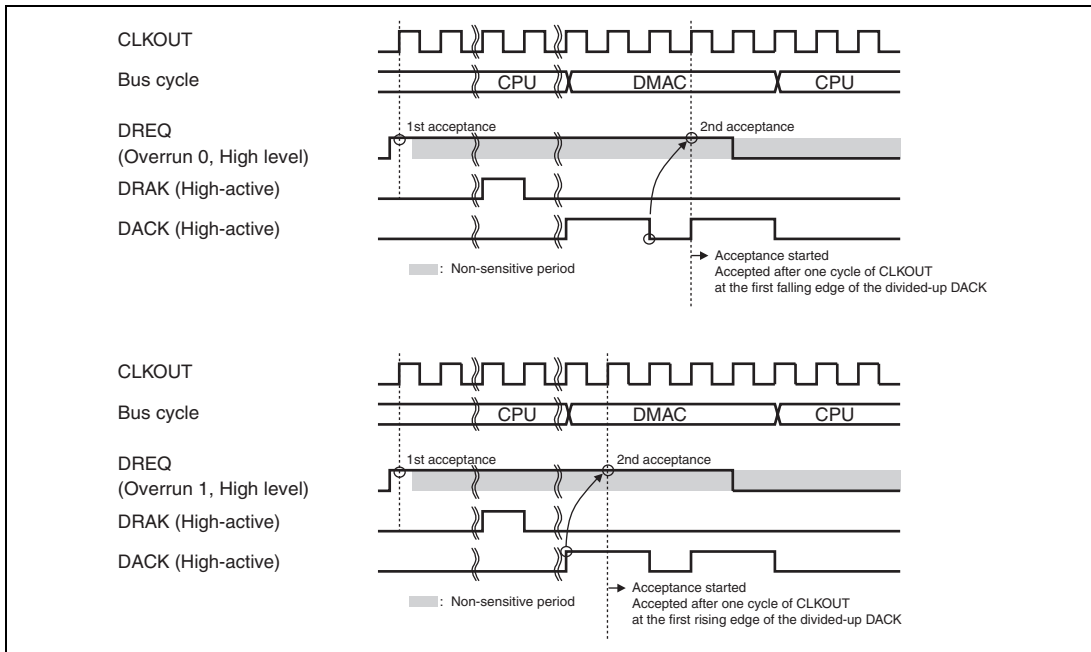


Figure 14.17 Example 2 of DREQ Input Detection in Cycle Steal Mode Level Detection (Word Transfer in 8-Bit Bus Width, Longword Transfer in 8/16-Bit Bus Width, 16/32-Byte Transfer in 8/16/32/64-Bit Bus Width: DACK of DMA1 Transfer Divided)

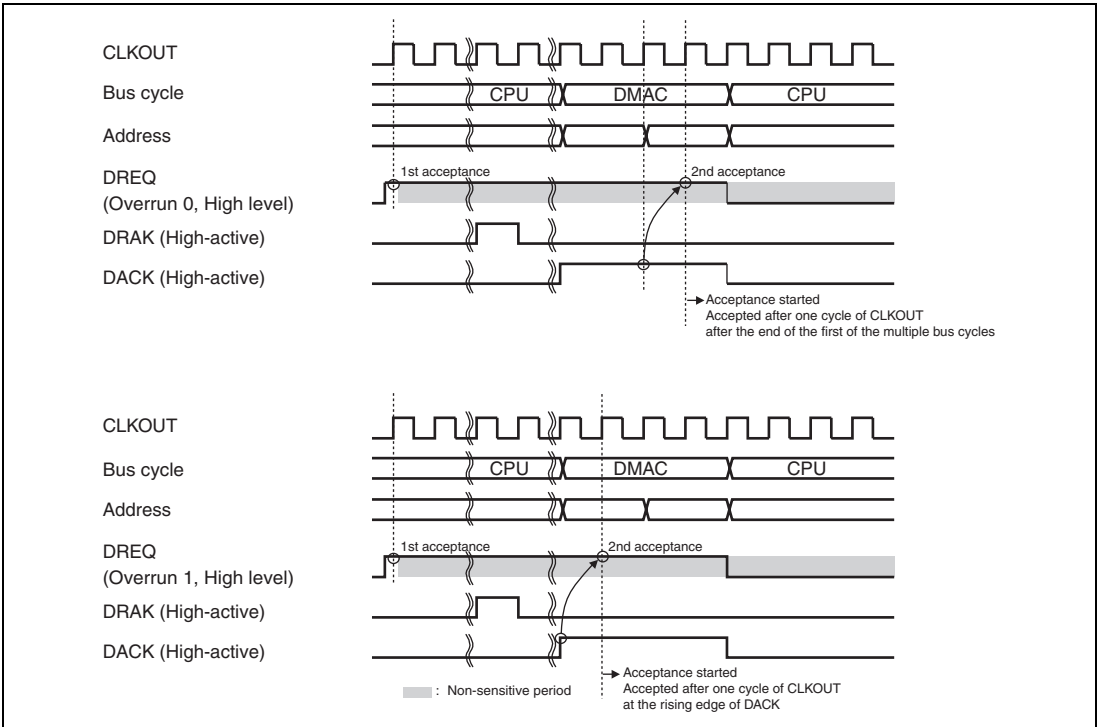


Figure 14.18 Example 3 of DREQ Input Detection in Cycle Steal Mode Level Detection (Word Transfer in 8-Bit Bus Width, Longword Transfer in 8/16-Bit Bus Width, or 16/32-Byte Transfer in 8/16/32/64-Bit Bus Width: DACK of DMA1 Transfer Is Connected)

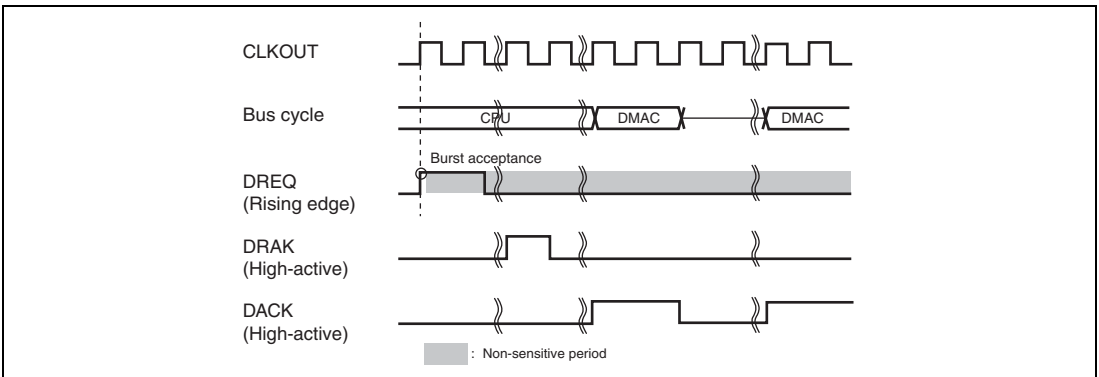


Figure 14.19 Example of DREQ Input Detection in Burst Mode Edge Detection

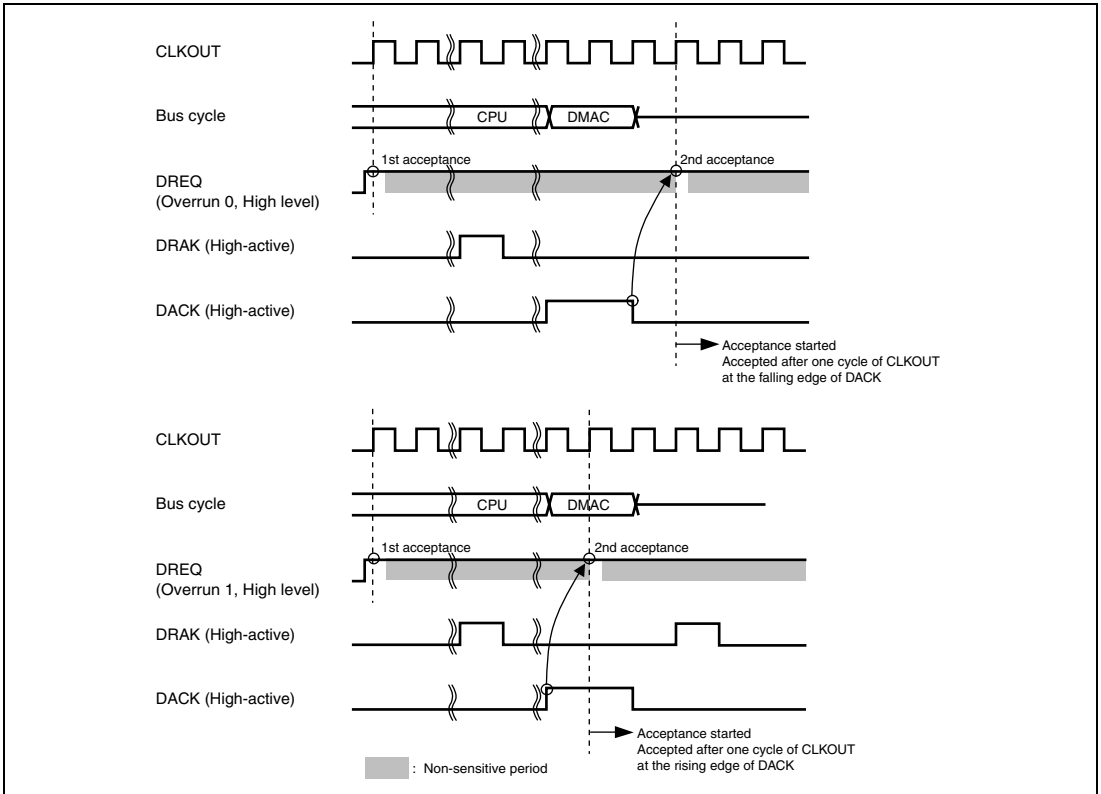


Figure 14.20 Example 1 of DREQ Input Detection in Burst Mode Level Detection (Byte Transfer in 8/16/32/64-Bit Bus Width, Word Transfer in 16/32/64-Bit Bus Width, or Longword Transfer in 32/64-Bit Bus Width)

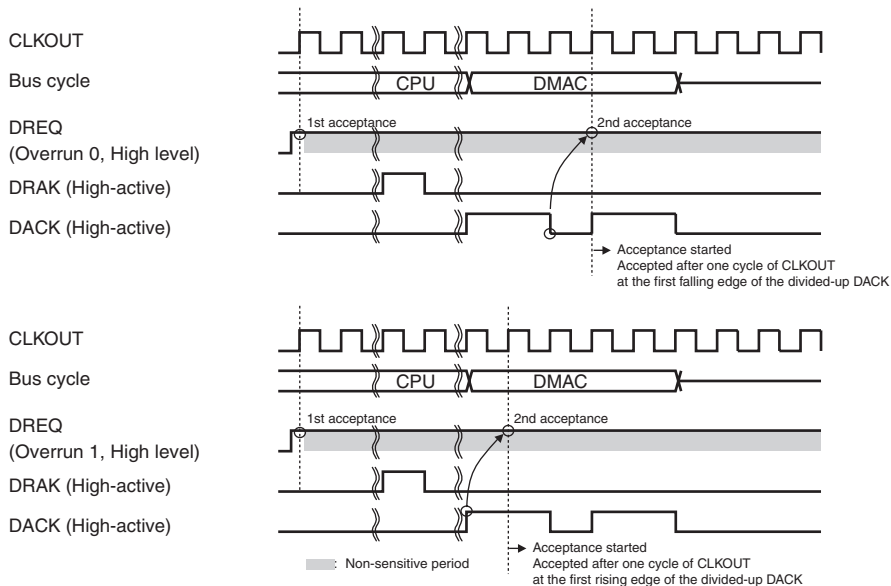


Figure 14.21 Example 2 of DREQ Input Detection in Burst Mode Level Detection (Word Transfer in 8-Bit Bus Width, Longword Transfer in 8/16-Bit Bus Width, 16/32-Byte Transfer in 8/16/32/64-Bit Bus Width: DACK of DMA1 Transfer Divided)

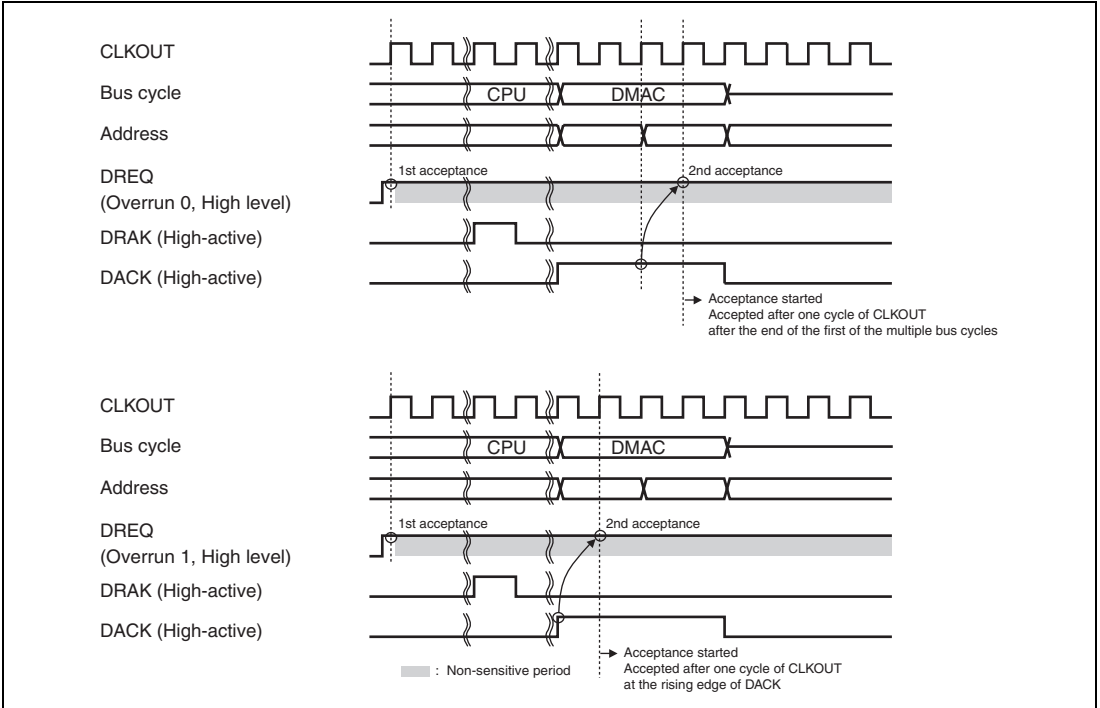


Figure 14.22 Example 3 of DREQ Input Detection in Burst Mode Level Detection (Word Transfer in 8-Bit Bus Width, Longword Transfer in 8/16-Bit Bus Width, or 16/32-Byte Transfer in 8/16/32/64-Bit Bus Width: DACK of DMA1 Transfer Is Connected)

14.5 DMAC Interrupt Sources

In the DMAC, each channel has 14 interrupt sources: a DMA transfer end/half-end interrupts request (DMINT0 to DMINT11), a DMA address error interrupt request (DMAE0) common to channels 0 to 5, and a DMA address error interrupt request (DMAE1) common to channels 6 to 11.

Table 14.11 shows each interrupt source. Each interrupt source is independently sent to the interrupt controller.

Table 14.11 DMAC Interrupt Sources

Interrupt Factor	Description
DMINT0	Channel 0 DMA transfer-end/half-end interrupt
DMINT1	Channel 1 DMA transfer-end/half-end interrupt
DMINT2	Channel 2 DMA transfer-end/half-end interrupt
DMINT3	Channel 3 DMA transfer-end/half-end interrupt
DMINT4	Channel 4 DMA transfer-end/half-end interrupt
DMINT5	Channel 5 DMA transfer-end/half-end interrupt
DMAE0	DMA address error interrupt common to channels 0 to 5
DMINT6	Channel 6 DMA transfer-end/half-end interrupt
DMINT7	Channel 7 DMA transfer-end/half-end interrupt
DMINT8	Channel 8 DMA transfer-end/half-end interrupt
DMINT9	Channel 9 DMA transfer-end/half-end interrupt
DMINT10	Channel 10 DMA transfer-end/half-end interrupt
DMINT11	Channel 11 DMA transfer-end/half-end interrupt
DMAE1	DMA address error interrupt common to channels 6 to 11

14.6 Usage Notes

Note the following things in using this DMAC.

14.6.1 Stopping Modules and Changing Frequency

When the DMAC is operating, it is prohibited to set or clear the corresponding bit of MSTPCR1 that controls H-UDI, UBC, DMAC and GDTA modules operation, and also prohibited to change any frequencies regarding the operation of this LSI. Operation is not guaranteed if these are performed.

Check that the DME bits (bit 0) in both DMAOR0 and DMAOR1 are 0 or the TE bits in CHCR0 to CHCR11 are all 1 before stopping modules by MSTPCR1.

14.6.2 Address Error

When a DMA address error is occurred, set registers of all channels of corresponding DMAOR* again and then start a transfer.

Note: Set registers of channels 0 to 5 again when the AE bit of DMAOR0 is set to 1, and set registers of channels 6 to 11 again when the AE bit of DMAOR1 is set to 1.

14.6.3 NMI Interrupt

When a NMI interrupt is occurred, DMA transfer is stopped. Set registers of all channels again after returning from the exception handling routine of a NMI and then start a transfer.

14.6.4 Burst Mode Transfer

During a burst mode transfer, do not make a transition to sleep mode until the transfer of corresponding channel has been completed.

14.6.5 Divided-Up DACK Output

When 16- or 32-byte transfer is performed in 8-, 16-, 32-, or 64-bit bus width, longword transfer is performed in 8- or 16-bit bus width, or word transfer is performed in 8-bit bus width, DMA transfer units are divided into multiple bus cycles. Note that DACK output is divided-up, like CS, if DMA transfer size is divided into multiple bus cycles and CS is negated between bus cycles.

14.6.6 DACK/DREQ Setting

If the IWRRD, IWRRS, and IWW bits in CSnBCR are set to B'000 (no idle cycles), DACK of two or more DMA transfers may be connected. If DACK of two or more DMA transfers is connected, operation is not guaranteed under the following conditions. In these cases, set the IWRRD, IWRRS, and IWW bits to B'001 to B'111 to insert a minimum of one idle cycle between DMA transfers.

1. DMA transfer source is in the LBSC space, DMA transfer destination is not in the LBSC space, DACK output (CHCR.AM = 0) is set to a read cycle, and external request DREQ level detection overrun 1 (cycle steal mode or burst mode) or external request DREQ edge detection (cycle steal mode or burst mode) is set.

Prevent DACK of two or more DMA transfer units from connecting by setting the IWRRD bits in CSnBCR to B'001 to B'111 (insert a minimum of one idle cycle in read-read cycles in different space) and the IWRRS bits to B'001 to B'111 (insert a minimum of one idle cycle in read-read cycles in the same space).

2. DMA transfer source is not in the LBSC space, DMA transfer destination is in the LBSC space, DACK output (CHCR.AM = 1) is set to a write cycle, and the external request DREQ level detection overrun 1 (cycle steal mode or burst mode) or external request DREQ edge detection (cycle steal mode or burst mode) is set.

Prevent DACK of two or more DMA transfer units from connecting by setting the IWW bits in CSnBCR to B'001 to B'111 (insert a minimum of one idle cycle between write-read/write-write cycles).

Section 15 Clock Pulse Generator (CPG)

The CPG generates clocks provided to the internal and external bus interfaces of the SH7785, and controls power-down mode. The CPG consists of a crystal oscillator circuit, PLLs, dividers, and the control unit.

15.1 Features

The CPG has the following features.

- Generates SH7785 internal clocks*
Generates the CPU clock (Ick) used in the CPU, FPU, cache, and TLB; the SuperHyway clock (SHck) used in the SuperHyway, the GDTA clock (GAck) used in the graphic data translation accelerator, the DU clock (DUck) used in the display unit; the peripheral clock (Pck) used in the interface with on-chip peripheral modules; and the RAM clock (Uck) used in URAM
- Generates SH7785 external clocks
Generates the bus clock (Bck) used in the interface with the external devices, and the DDR clock (DDRck) for the memory clock used in the DBSC2.
- Clock operating modes
Selects a crystal resonator or an external clock input for the clock input to the CPG
- Controls power-down mode
Can stop the CPU in sleep mode and specific modules in module standby mode. For details, see section 17, Power-Down Mode.

Figure 15.1 shows a block diagram of the CPG.

Note: * For description of the clock used by each module, see the sections on individual modules.

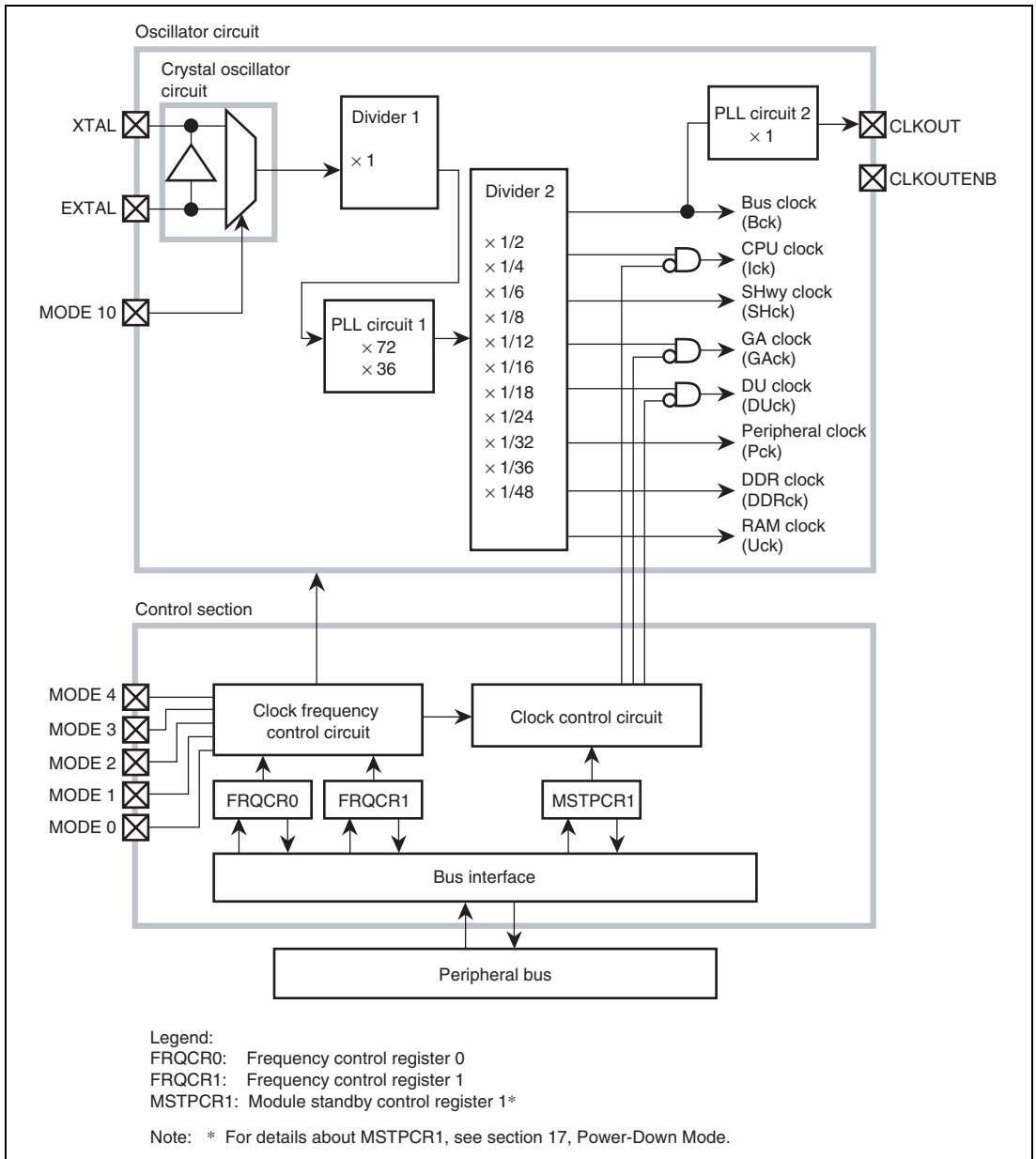


Figure 15.1 Block Diagram of the CPG

The function of each block in the CPG is as follows.

- PLL circuit 1
PLL circuit 1 multiplies the input clock frequency on the PLL circuit by 36 or 72.
- PLL circuit 2
PLL circuit 2 matches the phases of the bus clock (Bck) and the clock of the CLKOUT pin that is used in the local bus.
- Crystal oscillator circuit
The crystal oscillator circuit is used when a crystal resonator is connected to the XTAL and EXTAL pins. The crystal oscillator circuit can be used by the MODE10 pin setting.
For details on input frequency, see section 32, Electrical Characteristics.
- Divider 1
Divider 1 divides the input clock frequency from the crystal oscillator circuit or the EXTAL pin. The division ratio is set by mode pins MODE3 and MODE4.
- Divider 2
Divider 2 generates the CPU clock (Ick), SuperHyway clock (SHck), GDTA clock (Gack), DU clock (DUck), peripheral module clock (Pck), DDR clock (DDRck), external bus clock (Bck), and RAM clock (Uck). The division ratio is selected by mode setting pins MODE0 and MODE1.

15.2 Input/Output Pins

Table 15.1 shows the CPG pin configuration.

Table 15.1 CPG Pin Configuration

Pin Name	Function	I/O	Description
MODE0, MODE1, MODE2, MODE3, and MODE4* ¹	Mode Pins 0,1,2,3,4 Clock operating mode* ¹	Input	Select the clock operating mode These pins are multiplexed with the following pins. MODE0: the IRL4 (INTC), FD4 (FLCTL), and PL4 (GPIO) pins MODE1: the IRL5 (INTC), FD5 (FLCTL), and PL3 (GPIO) pins MODE2: the IRL6 (INTC), FD6 (FLCTL), and PL2 (GPIO) pins MODE3: the IRL7 (INTC), FD7 (FLCTL), and PL1 (GPIO) pins MODE4: the SCIF3_TXD (SCIF channel 3), FCLE (FLCTL), and PN5 (GPIO) pins
MODE10	Mode Pin 10 Clock input mode* ¹	Input	Selects whether the crystal resonator is used When MODE10 is set to the low level, the external clock is input from the EXTAL pin. When MODE10 is set to the high level, the crystal resonator is connected directly to the EXTAL and XTAL pins. MODE10 is multiplexed with the SCIF4_RXD (SCIF channel 4), FD2 (FLCTL), and PN1 (GPIO) pins.
XTAL	Clock Pins	Output	Connected to a crystal resonator
EXTAL		Input	Used to input an external clock or connected to a crystal resonator.
CLKOUT* ²		Output	Used to output a local bus clock
CLKOUTENB	Clock Output Enabled	Output	The low level is output when the output clock of the CLKOUT is unstable. When the input to the $\overline{\text{PRESET}}$ pin is the low level, the high level is output regardless of the status of the output clock on the CLKOUT pin.

- Notes: 1. The clock operating mode and the clock input mode depend on the states of the mode pins on a power-on reset via the $\overline{\text{PRESET}}$ pin.
2. For details on ensuring the AC timing of the CLKOUT pin, see the section about electrical characteristics. Note the relationship between the input frequency and multiplication rate of a crystal oscillator circuit.

15.3 Clock Operating Modes

Table 15.2 shows the relationship between setting of the mode pins (MODE0 to MODE4) and the clock operating modes.

Table 15.2 Clock Operating Modes and Operations of the Oscillator and PLLs

Clock Operating Mode	Setting of Mode Control Pins* ¹ * ²					Divider 1	PLL1	PLL2
	MODE4	MODE3	MODE2	MODE1	MODE0			
0	L	L	L	L	L	× 1	On (× 72)	On
1	L	L	L	L	H	× 1	On (× 72)	On
2	L	L	L	H	L	× 1	On (× 72)	On
3	L	L	L	H	H	× 1	On (× 72)	On
16	H	L	L	L	L	× 1	On (× 36)	On
17	H	L	L	L	H	× 1	On (× 36)	On
18	H	L	L	H	L	× 1	On (× 36)	On
19	H	L	L	H	H	× 1	On (× 36)	On

Notes: 1. For the MODE0 to MODE4 pins, setting except the above mode pins (MODE0 to MODE4) is prohibited.

2. L stands for 'low level', and H stands for 'high level'.

**Table 15.3 Clock Operating Modes and Frequency Multiplication Ratio for Each Clock
(Both MODE12 and MODE11 Are Set to High Level)**

Clock Operating Mode	FRQMR1 Initial Value	Frequency Multiplication Ratio (for Input Clock)							
		CPU Clock	RAM Clock	SuperHyway Clock	GDTA Clock	DU Clock	Peripheral Clock	DDR Clock	Bus Clock
		lck	Uck	SHck	GAck	DUck	Pck	DDRck	Bck
0	H'1225 2448	× 36	× 18	× 18	× 9	× 9	× 3	× 18	× 6
1	H'122B 244B	× 36	× 18	× 18	× 9	× 9	× 3/2	× 18	× 3/2
2	H'1335 3558	× 36	× 12	× 12	× 6	× 6	× 3	× 12	× 6
3	H'133B 355B	× 36	× 12	× 12	× 6	× 6	× 3/2	× 12	× 3/2
16	H'1225 2448	× 18	× 9	× 9	× 9/2	× 9/2	× 3/2	× 9	× 3
17	H'122B 244B	× 18	× 9	× 9	× 9/2	× 9/2	× 3/4	× 9	× 3/4
18	H'1335 3558	× 18	× 6	× 6	× 3	× 3	× 3/2	× 6	× 3
19	H'133B 355B	× 18	× 6	× 6	× 3	× 3	× 3/4	× 6	× 3/4

**Table 15.4 Clock Operating Modes and Frequency Multiplication Ratio for Each Clock
(MODE12 or MODE11 Is Set to Low Level)**

Clock Operating Mode	FRQMR1 Initial Value	Frequency Multiplication Ratio (for Input Clock)							
		CPU Clock	RAM Clock	SuperHyway Clock	GDTA Clock	DU Clock	Peripheral Clock	DDR Clock	Bus Clock
		lck	Uck	SHck	GAck	DUck	Pck	DDRck	Bck
0	H'1225 24F8	× 36	× 18	× 18	× 9	Stopped	× 3	× 18	× 6
1	H'122B 24FB	× 36	× 18	× 18	× 9	Stopped	× 3/2	× 18	× 3/2
2	H'1335 35F8	× 36	× 12	× 12	× 6	Stopped	× 3	× 12	× 6
3	H'133B 35FB	× 36	× 12	× 12	× 6	Stopped	× 3/2	× 12	× 3/2
16	H'1225 24F8	× 18	× 9	× 9	× 9/2	Stopped	× 3/2	× 9	× 3
17	H'122B 24FB	× 18	× 9	× 9	× 9/2	Stopped	× 3/4	× 9	× 3/4
18	H'1335 35F8	× 18	× 6	× 6	× 3	Stopped	× 3/2	× 6	× 3
19	H'133B 35FB	× 18	× 6	× 6	× 3	Stopped	× 3/4	× 6	× 3/4

15.4 Register Descriptions

Table 15.5 lists the registers. Table 15.6 shows the register states in each processing mode.

Table 15.5 Register Configuration

Register Name	Abbreviation	R/W	P4 Address	Area 7 Address	Access Size	Sync Clock
Frequency control register 0	FRQCR0	R/W	H'FFC8 0000	H'1FC8 0000	32	Pck
Frequency control register 1	FRQCR1	R/W	H'FFC8 0004	H'1FC8 0004	32	Pck
Frequency display register 1	FRQMR1	R	H'FFC8 0014	H'1FC8 0014	32	Pck
Sleep control register	SLPCR	R/W	H'FFC8 0020	H'1FC8 0020	32	Pck
PLL control register	PLLCR	R/W	H'FFC8 0024	H'1FC8 0024	32	Pck
Standby control register 0*	MSTPCR0	R/W	H'FFC8 0030	H'1FC8 0030	32	Pck
Standby control register 1*	MSTPCR1	R/W	H'FFC8 0034	H'1FC8 0034	32	Pck
Standby display register*	MSTPMR	R	H'FFC8 0044	H'1FC8 0044	32	Pck

Note: * For details on the standby control registers, see section 17, Power-Down Mode.

Table 15.6 Register State in Each Processing Mode

Register Name	Abbreviation	Power-on Reset by the PRESET Pin, WDT, or H-UDI	Manual Reset by WDT or Multiple Exception	Sleep or Deep Sleep by Sleep Instruction
Frequency control register 0	FRQCR0	H'0000 0000	Retained	Retained
Frequency control register 1	FRQCR1	H'0000 0000	Retained	Retained
Frequency display register 1	FRQMR1	H'1xxx xxxx* ²	Retained	Retained
Sleep control register	SLPCR	H'0000 0000	Retained	Retained
PLL control register	PLLCR	H'0000 0000	Retained	Retained
Standby control register 0* ¹	MSTPCR0	H'0000 0000	Retained	Retained
Standby control register 1* ¹	MSTPCR1	H'0000 0000	Retained	Retained
Standby display register* ¹	MSTPMR	H'00x0 0000* ³	Retained	Retained

- Notes:
1. For details on the standby control registers, see section 17, Power-Down Mode.
 2. The state of this register depends on the settings of mode pins MODE0 to MODE4, MODE11, and MODE12 obtained on a power-on reset via the PRESET pin. See Table 15.3 or 15.4.
 3. The state of this register depends on the setting of mode pins MODE11 and MODE12 obtained on a power-on reset via the PRESET pin.

15.4.1 Frequency Control Register 0 (FRQCR0)

FRQCR0 is a 32-bit readable and partially writable register that executes a sequence for changing the frequency of each clock. After the sequence is executed, FRQCR0 is automatically cleared to 0. FRQCR0 can only be accessed in longwords.

To write to FRQCR0, set the code value (H'CF) in the upper byte and use the longword. No other code values can be written. The code value is always read as 0.

FRQCR0 is initialized by only a power-on reset via the PRESET pin or a WDT overflow.

Bit:	31	30	29	28	27	26	25	24	23	22	21	20	19	18	17	16
	Code value (H'CF)								—	—	—	—	—	—	—	—
Initial value:	0	0	0	0	0	0	0	0	0	0	0	0	0	0	0	0
R/W:	R/W	R/W	R/W	R/W	R/W	R/W	R/W	R/W	R	R	R	R	R	R	R	R
Bit:	15	14	13	12	11	10	9	8	7	6	5	4	3	2	1	0
	—	—	—	—	—	—	—	—	—	—	—	—	—	—	—	FRQE
Initial value:	0	0	0	0	0	0	0	0	0	0	0	0	0	0	0	0
R/W:	R	R	R	R	R	R	R	R	R	R	R	R	R	R	R	R/W

Bit	Bit Name	Initial Value	R/W	Description
31 to 24	—	All 0	R/W	Code value (H'CF) These bits are always read as 0. The write value should always be H'CF.
23 to 1	—	All 0	R	Reserved These bits are always read as 0. The write value should always be 0.
0	FRQE	0	R/W	Frequency Change Sequence Enabled Enables the execution of a sequence that changes the frequency of each clock according to the value set in FRQCR1. After executing the sequence, this bit is automatically cleared to 0. 0: Execution of a sequence that changes the frequency is disabled. 1: Execution of a sequence that changes the frequency is enabled. Note: Some division ratio settings are prohibited. When a value that is not shown in Tables 15.8 to 15.11 is set in FRQCR1, do not set 1 in FRQE.

15.4.2 Frequency Control Register 1 (FRQCR1)

FRQCR1 is a 32-bit readable/writable register that can select the division ratio of divider 2 for the CPU clock (Ick), the SuperHyway clock (SHck), the peripheral clock (Pck), the DDR clock (DDRck), the bus clock (Bck), the GDTA clock (GAck), the DU clock (DUck), and the RAM clock (Uck). To check the division ratio of divider 2 for each clock, read FRQMR1. FRQCR1 can only be accessed in longwords.

FRQCR1 only changes the division ratio of a clock to which a value other than H'0 has been written. Therefore, set a value other than H'0 in the bit corresponding to the clock for which you want to change the division ratio. Other bits should be set to H'0.

To change the division ratio of each clock to the value set in FRQCR1, you must set 1 in the FRQE bit in FRQCR0 to execute the sequence that changes the frequency. After the sequence is executed, this register is automatically cleared to H'0000 0000.

However, when changing the division ratio of the DDR clock (DDRck), switch SDRAM to the self-refreshing state. For details on how to switch to or release the self-refreshing state, see section 12, DDR2-SDRAM Interface (DBSC2).

FRQCR1 is initialized by only a power-on reset via the $\overline{\text{PRESET}}$ pin or a WDT overflow.

Bit:	31	30	29	28	27	26	25	24	23	22	21	20	19	18	17	16
	IFC3	IFC2	IFC1	IFC0	UFC3	UFC2	UFC1	UFC0	SFC3	SFC2	SFC1	SFC0	BFC3	BFC2	BFC1	BFC0
Initial value:	0	0	0	0	0	0	0	0	0	0	0	0	0	0	0	0
R/W:	R/W	R/W	R/W	R/W	R/W	R/W	R/W	R/W	R/W	R/W	R/W	R/W	R/W	R/W	R/W	R/W

Bit:	15	14	13	12	11	10	9	8	7	6	5	4	3	2	1	0
	MFC3	MFC2	MFC1	MFC0	S2FC3	S2FC2	S2FC1	S2FC0	S3FC3	S3FC2	S3FC1	S3FC0	PFC3	PFC2	PFC1	PFC0
Initial value:	0	0	0	0	0	0	0	0	0	0	0	0	0	0	0	0
R/W:	R/W	R/W	R/W	R/W	R/W	R/W	R/W	R/W	R/W	R/W	R/W	R/W	R/W	R/W	R/W	R/W

Bit	Bit Name	Initial Value	R/W	Description
31	IFC3	0	R/W	Frequency division ratio of the CPU clock (Ick)
30	IFC2	0	R/W	0000: No change
29	IFC1	0	R/W	0001: $\times 1/2$
28	IFC0	0	R/W	0010: $\times 1/4$ 0011: $\times 1/6$ Others: Setting prohibited
27	UFC3	0	R/W	Frequency division ratio of the RAM clock (Uck)
26	UFC2	0	R/W	0000: No change
25	UFC1	0	R/W	0010: $\times 1/4$
24	UFC0	0	R/W	0011: $\times 1/6$ Others: Setting prohibited
23	SFC3	0	R/W	Frequency division ratio of the SuperHyway clock (SHck)
22	SFC2	0	R/W	0000: No change
21	SFC1	0	R/W	0010: $\times 1/4$
20	SFC0	0	R/W	0011: $\times 1/6$ Others: Setting prohibited
19	BFC3	0	R/W	Frequency division ratio of the bus clock (Bck)
18	BFC2	0	R/W	0000: No change
17	BFC1	0	R/W	0101: $\times 1/12$
16	BFC0	0	R/W	0110: $\times 1/16$ 0111: $\times 1/18$ 1000: $\times 1/24$ 1001: $\times 1/32$ 1010: $\times 1/36$ 1011: $\times 1/48$ Others: Setting prohibited
15	MFC3	0	R/W	Frequency division ratio of the DDR clock (DDRck)
14	MFC2	0	R/W	0000: No change
13	MFC1	0	R/W	0010: $\times 1/4$
12	MFC0	0	R/W	0011: $\times 1/6$ Others: Setting prohibited

Bit	Bit Name	Initial Value	R/W	Description
11	S2FC3	0	R/W	Frequency division ratio of the GDTA clock (GAck)
10	S2FC2	0	R/W	0000: No change
9	S2FC1	0	R/W	0100: $\times 1/8$
8	S2FC0	0	R/W	0101: $\times 1/12$ Others: Setting prohibited
7	S3FC3	0	R/W	Frequency division ratio of the DU clock (DUck)
6	S3FC2	0	R/W	0000: No change
5	S3FC1	0	R/W	0100: $\times 1/8$
4	S3FC0	0	R/W	0101: $\times 1/12$ 0110: $\times 1/16$ 0111: $\times 1/18$ 1000: $\times 1/24$ 1001: $\times 1/32$ 1010: $\times 1/36$ 1011: $\times 1/48$ Others: Setting prohibited
3	PFC3	0	R/W	Frequency division ratio of the peripheral clock (Pck)
2	PFC2	0	R/W	0000: No change
1	PFC1	0	R/W	0111: $\times 1/18$
0	PFC0	0	R/W	1000: $\times 1/24$ 1001: $\times 1/32$ 1010: $\times 1/36$ 1011: $\times 1/48$ Others: Setting prohibited

15.4.3 Frequency Display Register 1 (FRQMR1)

FRQMR1 is a 32-bit readable register that reads the division ratio of divider 2 for the CPU clock (Ick), the SuperHyway clock (SHck), the peripheral clock (Pck), the DDR clock (DDRck), the bus clock (Bck), the GDTA clock (GAck), the DU clock (DUck), and the RAM clock (Uck). FRQMR1 can only be accessed in longwords.

This register is initialized by only a power-on reset via the $\overline{\text{PRESET}}$ pin or a WDT overflow.

Bit:	31	30	29	28	27	26	25	24	23	22	21	20	19	18	17	16
	IFST3	IFST2	IFST1	IFST0	UFST3	UFST2	UFST1	UFST0	SFST3	SFST2	SFST1	SFST0	BFST3	BFST2	BFST1	BFST0
Initial value:	0	0	0	1	0	0	1	x	0	0	1	x	x	x	x	1
R/W:	R	R	R	R	R	R	R	R	R	R	R	R	R	R	R	R
Bit:	15	14	13	12	11	10	9	8	7	6	5	4	3	2	1	0
	MFST3	MFST2	MFST1	MFST0	S2FST3	S2FST2	S2FST1	S2FST0	S3FST3	S3FST2	S3FST1	S3FST0	PFST3	PFST2	PFST1	PFST0
Initial value:	0	0	1	x	0	1	0	x	x	1	x	x	1	0	x	x
R/W:	R	R	R	R	R	R	R	R	R	R	R	R	R	R	R	R

Note: The initial value (x: a bit whose value is undefined) depends on the settings of mode pins MODE0 to MODE4, MODE11, and MODE12 on a power-on reset via the $\overline{\text{PRESET}}$ pin. See Table 15.3 or 15.4.

Bit	Bit Name	Initial Value	R/W	Description
31	IFST3	0	R	Frequency division ratio of the CPU clock (Ick)
30	IFST2	0	R	0001: $\times 1/2$
29	IFST1	0	R	0010: $\times 1/4$
28	IFST0	1	R	0011: $\times 1/6$
27	UFST3	0	R	Frequency division ratio of the RAM clock (Uck)
26	UFST2	0	R	0010: $\times 1/4$
25	UFST1	1	R	0011: $\times 1/6$
24	UFST0	x	R	
23	SFST3	0	R	Frequency division ratio of the SuperHyway clock (SHck)
22	SFST2	0	R	
21	SFST1	1	R	0010: $\times 1/4$
20	SFST0	x	R	0011: $\times 1/6$

Bit	Bit Name	Initial Value	R/W	Description
19	BFST3	x	R	Frequency division ratio of the bus clock (Bck)
18	BFST2	x	R	0101: × 1/12
17	BFST1	x	R	0110: × 1/16
16	BFST0	1	R	0111: × 1/18 1000: × 1/24 1001: × 1/32 1010: × 1/36 1011: × 1/48
15	MFST3	0	R	Frequency division ratio of the DDR clock (DDRck)
14	MFST2	0	R	0010: × 1/4
13	MFST1	1	R	0011: × 1/6
12	MFST0	x	R	
11	S2FST3	0	R	Frequency division ratio of the GDTA clock (GAck)
10	S2FST2	1	R	0100: × 1/8
9	S2FST1	0	R	0101: × 1/12
8	S2FST0	x	R	1111: Stop the clock supply.
7	S3FST3	x	R	Frequency division ratio of the DU clock (DUck)
6	S3FST3	1	R	0100: × 1/8
5	S3FST3	x	R	0101: × 1/12
4	S3FST3	x	R	0110: × 1/16 0111: × 1/18 1000: × 1/24 1001: × 1/32 1010: × 1/36 1011: × 1/48 1111: Stop the clock supply
3	PFST3	1	R	Frequency division ratio of the peripheral clock (Pck)
2	PFST2	0	R	0111: × 1/18
1	PFST1	x	R	1000: × 1/24
0	PFST0	x	R	1001: × 1/32 1010: × 1/36 1011: × 1/48

15.4.4 PLL Control Register (PLLCR)

PLLCR is a 32-bit readable/writable register that controls the clock output on the CLKOUT pin. This register can only be accessed in longwords.

Bit:	31	30	29	28	27	26	25	24	23	22	21	20	19	18	17	16
	—	—	—	—	—	—	—	—	—	—	—	—	—	—	—	—
Initial value:	0	0	0	0	0	0	0	0	0	0	0	0	0	0	0	0
R/W:	R	R	R	R	R	R	R	R	R/W	R/W	R/W	R/W	R/W	R/W	R/W	R/W
Bit:	15	14	13	12	11	10	9	8	7	6	5	4	3	2	1	0
	—	—	—	—	—	—	—	—	—	—	—	—	—	—	CKOFF	—
Initial value:	0	0	0	0	0	0	0	0	0	0	0	0	0	0	0	0
R/W:	R	R	R	R	R	R	R	R	R	R	R	R	R	R	R/W	R

Bit	Bit Name	Initial Value	R/W	Description
31 to 24	—	0	R	Reserved These bits are always read as 0. The write value should always be 0.
23 to 16	—	All 0	R/W	Reserved These bits are always read as 0. The write value should always be 0. If a value other than 0 is written, the operation is not guaranteed.
15 to 2	—	All 0	R	Reserved These bits are always read as 0. The write value should always be 0.
1	CKOFF	0	R/W	CLKOUT Output Enabled Stops clock output on the CLKOUT pin 0: Clock is output on the CLKOUT pin 1: The CLKOUT pin is placed in the high impedance state
0	—	0	R	Reserved This bit is always read as 0. The write value should always be 0.

15.5 Calculating the Frequency

Table 15.7 shows the relationship between the division ratio of divider 2 described for frequency control register FRQCR1 and frequency display register FRQMR1, and the EXTAL input.

Table 15.7 Relationship Between the Division Ratio of Divider 2 and the Frequency

Division ratio of divider 2	Frequency (for an input clock)	
	Clock operating mode 0 to 3	Clock operating mode 16 to 19
× 1/2	× 36	× 18
× 1/4	× 18	× 9
× 1/6	× 12	× 6
× 1/8	× 9	× 9/2
× 1/12	× 6	× 3
× 1/16	× 9/2	× 9/4
× 1/18	× 4	× 2
× 1/24	× 3	× 3/2
× 1/32	× 9/4	× 9/8
× 1/36	× 2	× 1
× 1/48	× 3/2	× 3/4

15.6 How to Change the Frequency

To change the frequency of the internal clock and the local bus clock (CLKOUT) with software, set frequency control registers FRQCR0 and FRQCR1 according to the following procedure. Tables 15.8 to 15.11 list the selectable combinations of frequencies.

15.6.1 Changing the Frequency of Clocks Other than the Bus Clock

When changing the frequency of a clock except the bus clock, disable counting-up by the WDT.

The following describes the procedure for changing the frequency.

1. In FRQCR1, set a value (other than H'0) in the bit corresponding to the clock for which you want to change the division ratio.*
2. Set H'CF000001 in FRQCR0 to enable execution of the sequence that changes the frequency. The sequence that changes the frequency starts.
3. When H'00000000 is read from FRQCR0, the sequence that changes the frequency has finished. The internal clock has been changed to the clock with the specified division ratio.

Note: * When setting a value except H'0 in the MFC3 to MFC0 bits in FRQCR1 to change the DDR clock frequency, switch SDRAM to the self-refreshing state before executing step (2) above. For details on how to switch to or release the self-refreshing state, see section 12, DDR2-SDRAM Interface (DBSC2).

15.6.2 Changing the Bus Clock Frequency

When changing the bus clock frequency, start counting-up by the WDT after the oscillation of PLL circuit 2 is stable. When a WDT overflow occurs during counting, this LSI resumes operation.

Figures 15.2 and 15.3 show the timing of the CLKOUT and CLKOUTENB pins when the bus clock frequency is changed.

The following describes the procedure for changing the frequency.

1. Write 0 to the TME bit in WDTCSR to stop the WDT.
2. In WDTBST, after the oscillation of PLL circuit 2 is stable, set the time that can elapse before the LSI resumes operation. Writing H'55000001 sets the minimum value. Writing H'55000000 sets the maximum value.
3. In FRQCR1, set a value (except H'0) in the bit corresponding to the clock for which you want to change the division ratio.*

4. Set H'CF000001 in FRQCR0 to enable execution of the sequence that changes the frequency. The sequence that changes the frequency starts.
5. The CLKOUTENB pin output changes to low level. After ten cycles of the peripheral clock (Pck), an unstable clock is output to the CLKOUT pin.
6. When the oscillation of PLL circuit 2 is stable, wait for ten cycles of the peripheral clock (Pck). Then output a high level signal to the CLKOUTENB pin.
7. When the WDT starts counting up and the value of WDTBCNT is equal to the value of WDTBST, the LSI resumes operation.
8. When H'00000000 is read from FRQCR0, the sequence that changes the frequency has finished. The internal clock has been changed to the clock with the specified division ratio.

Note: * When setting a value except H'0 in the MFC3 to MFC0 bits in FRQCR1 to change the DDR clock frequency, switch SDRAM to the self-refreshing state before executing step (2) above. For details on how to switch to or release the self-refreshing state, see section 12, DDR2-SDRAM Interface (DBSC2).

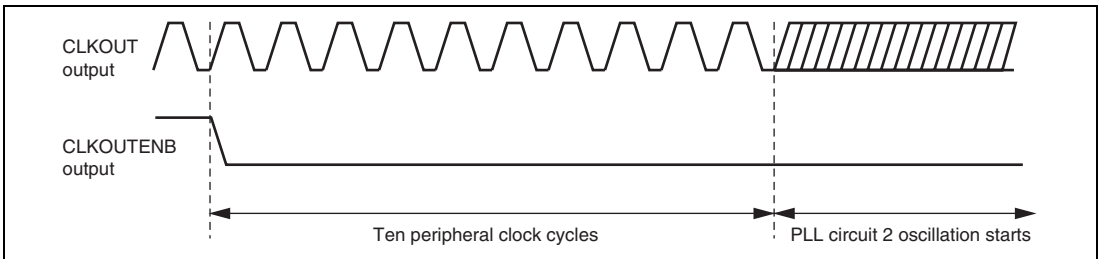


Figure 15.2 Beginning of the Change of the Bus Clock Frequency

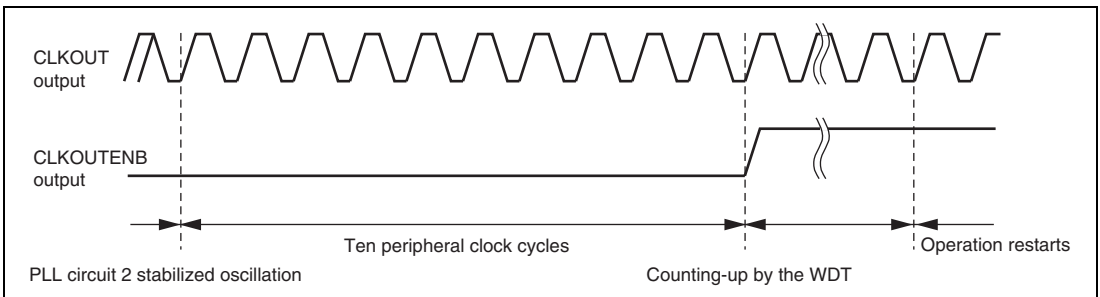


Figure 15.3 End of the Change of the Bus Clock Frequency

Table 15.8 Selectable Combinations of Clock Frequency (CPU Clock: $\times 1/2$, DDR Clock: $\times 1/4$)

FRQMR1 read value	Division ratio of divider 2							
	CPU clock	RAM clock	SuperHyway clock	GDTA clock	DU clock	Peripheral clock	DDR clock	Bus clock
	lck	Uck	SHck	GAck	DUck	Pck	DDRck	Bck
H'1225 2448	$\times 1/2$	$\times 1/4$	$\times 1/4$	$\times 1/8$	$\times 1/8$	$\times 1/24$	$\times 1/4$	$\times 1/12$
H'1225 2458	$\times 1/2$	$\times 1/4$	$\times 1/4$	$\times 1/8$	$\times 1/12$	$\times 1/24$	$\times 1/4$	$\times 1/12$
H'1225 2488	$\times 1/2$	$\times 1/4$	$\times 1/4$	$\times 1/8$	$\times 1/24$	$\times 1/24$	$\times 1/4$	$\times 1/12$
H'1225 244B	$\times 1/2$	$\times 1/4$	$\times 1/4$	$\times 1/8$	$\times 1/8$	$\times 1/48$	$\times 1/4$	$\times 1/12$
H'1225 245B	$\times 1/2$	$\times 1/4$	$\times 1/4$	$\times 1/8$	$\times 1/12$	$\times 1/48$	$\times 1/4$	$\times 1/12$
H'1225 246B	$\times 1/2$	$\times 1/4$	$\times 1/4$	$\times 1/8$	$\times 1/16$	$\times 1/48$	$\times 1/4$	$\times 1/12$
H'1225 248B	$\times 1/2$	$\times 1/4$	$\times 1/4$	$\times 1/8$	$\times 1/24$	$\times 1/48$	$\times 1/4$	$\times 1/12$
H'1225 24BB	$\times 1/2$	$\times 1/4$	$\times 1/4$	$\times 1/8$	$\times 1/48$	$\times 1/48$	$\times 1/4$	$\times 1/12$
H'1226 244A	$\times 1/2$	$\times 1/4$	$\times 1/4$	$\times 1/8$	$\times 1/8$	$\times 1/36$	$\times 1/4$	$\times 1/16$
H'1226 246A	$\times 1/2$	$\times 1/4$	$\times 1/4$	$\times 1/8$	$\times 1/16$	$\times 1/36$	$\times 1/4$	$\times 1/16$
H'1226 24AA	$\times 1/2$	$\times 1/4$	$\times 1/4$	$\times 1/8$	$\times 1/36$	$\times 1/36$	$\times 1/4$	$\times 1/16$
H'1226 244B	$\times 1/2$	$\times 1/4$	$\times 1/4$	$\times 1/8$	$\times 1/8$	$\times 1/48$	$\times 1/4$	$\times 1/16$
H'1226 245B	$\times 1/2$	$\times 1/4$	$\times 1/4$	$\times 1/8$	$\times 1/12$	$\times 1/48$	$\times 1/4$	$\times 1/16$
H'1226 246B	$\times 1/2$	$\times 1/4$	$\times 1/4$	$\times 1/8$	$\times 1/16$	$\times 1/48$	$\times 1/4$	$\times 1/16$
H'1226 248B	$\times 1/2$	$\times 1/4$	$\times 1/4$	$\times 1/8$	$\times 1/24$	$\times 1/48$	$\times 1/4$	$\times 1/16$
H'1226 24BB	$\times 1/2$	$\times 1/4$	$\times 1/4$	$\times 1/8$	$\times 1/48$	$\times 1/48$	$\times 1/4$	$\times 1/16$
H'1228 2448	$\times 1/2$	$\times 1/4$	$\times 1/4$	$\times 1/8$	$\times 1/8$	$\times 1/24$	$\times 1/4$	$\times 1/24$
H'1228 2458	$\times 1/2$	$\times 1/4$	$\times 1/4$	$\times 1/8$	$\times 1/12$	$\times 1/24$	$\times 1/4$	$\times 1/24$
H'1228 2488	$\times 1/2$	$\times 1/4$	$\times 1/4$	$\times 1/8$	$\times 1/24$	$\times 1/24$	$\times 1/4$	$\times 1/24$
H'1228 244B	$\times 1/2$	$\times 1/4$	$\times 1/4$	$\times 1/8$	$\times 1/8$	$\times 1/48$	$\times 1/4$	$\times 1/24$
H'1228 245B	$\times 1/2$	$\times 1/4$	$\times 1/4$	$\times 1/8$	$\times 1/12$	$\times 1/48$	$\times 1/4$	$\times 1/24$
H'1228 246B	$\times 1/2$	$\times 1/4$	$\times 1/4$	$\times 1/8$	$\times 1/16$	$\times 1/48$	$\times 1/4$	$\times 1/24$
H'1228 248B	$\times 1/2$	$\times 1/4$	$\times 1/4$	$\times 1/8$	$\times 1/24$	$\times 1/48$	$\times 1/4$	$\times 1/24$
H'1228 24BB	$\times 1/2$	$\times 1/4$	$\times 1/4$	$\times 1/8$	$\times 1/48$	$\times 1/48$	$\times 1/4$	$\times 1/24$
H'122A 244A	$\times 1/2$	$\times 1/4$	$\times 1/4$	$\times 1/8$	$\times 1/8$	$\times 1/36$	$\times 1/4$	$\times 1/36$
H'122A 246A	$\times 1/2$	$\times 1/4$	$\times 1/4$	$\times 1/8$	$\times 1/16$	$\times 1/36$	$\times 1/4$	$\times 1/36$
H'122A 24AA	$\times 1/2$	$\times 1/4$	$\times 1/4$	$\times 1/8$	$\times 1/36$	$\times 1/36$	$\times 1/4$	$\times 1/36$

FRQMR1 read value	Division ratio of divider 2							
	CPU clock lck	RAM clock Uck	SuperHyway clock SHck	GDTA clock GAck	DU clock DUck	Peripheral clock Pck	DDR clock DDRck	Bus clock Bck
H'122B 244B	× 1/2	× 1/4	× 1/4	× 1/8	× 1/8	× 1/48	× 1/4	× 1/48
H'122B 245B	× 1/2	× 1/4	× 1/4	× 1/8	× 1/12	× 1/48	× 1/4	× 1/48
H'122B 246B	× 1/2	× 1/4	× 1/4	× 1/8	× 1/16	× 1/48	× 1/4	× 1/48
H'122B 248B	× 1/2	× 1/4	× 1/4	× 1/8	× 1/24	× 1/48	× 1/4	× 1/48
H'122B 24BB	× 1/2	× 1/4	× 1/4	× 1/8	× 1/48	× 1/48	× 1/4	× 1/48

Table 15.9 Selectable Combinations of Clock Frequency (CPU Clock: × 1/4, DDR Clock: × 1/4)

FRQMR1 read value	Division ratio of divider 2							
	CPU clock lck	RAM clock Uck	SuperHyway clock SHck	GDTA clock GAck	DU clock DUck	Peripheral clock Pck	DDR clock DDRck	Bus clock Bck
H'2225 2448	× 1/4	× 1/4	× 1/4	× 1/8	× 1/8	× 1/24	× 1/4	× 1/12
H'2225 2458	× 1/4	× 1/4	× 1/4	× 1/8	× 1/12	× 1/24	× 1/4	× 1/12
H'2225 2488	× 1/4	× 1/4	× 1/4	× 1/8	× 1/24	× 1/24	× 1/4	× 1/12
H'2225 244B	× 1/4	× 1/4	× 1/4	× 1/8	× 1/8	× 1/48	× 1/4	× 1/12
H'2225 245B	× 1/4	× 1/4	× 1/4	× 1/8	× 1/12	× 1/48	× 1/4	× 1/12
H'2225 246B	× 1/4	× 1/4	× 1/4	× 1/8	× 1/16	× 1/48	× 1/4	× 1/12
H'2225 248B	× 1/4	× 1/4	× 1/4	× 1/8	× 1/24	× 1/48	× 1/4	× 1/12
H'2225 24BB	× 1/4	× 1/4	× 1/4	× 1/8	× 1/48	× 1/48	× 1/4	× 1/12
H'2226 244A	× 1/4	× 1/4	× 1/4	× 1/8	× 1/8	× 1/36	× 1/4	× 1/16
H'2226 246A	× 1/4	× 1/4	× 1/4	× 1/8	× 1/16	× 1/36	× 1/4	× 1/16
H'2226 24AA	× 1/4	× 1/4	× 1/4	× 1/8	× 1/36	× 1/36	× 1/4	× 1/16
H'2226 244B	× 1/4	× 1/4	× 1/4	× 1/8	× 1/8	× 1/48	× 1/4	× 1/16
H'2226 245B	× 1/4	× 1/4	× 1/4	× 1/8	× 1/12	× 1/48	× 1/4	× 1/16
H'2226 246B	× 1/4	× 1/4	× 1/4	× 1/8	× 1/16	× 1/48	× 1/4	× 1/16
H'2226 248B	× 1/4	× 1/4	× 1/4	× 1/8	× 1/24	× 1/48	× 1/4	× 1/16
H'2226 24BB	× 1/4	× 1/4	× 1/4	× 1/8	× 1/48	× 1/48	× 1/4	× 1/16
H'2228 2448	× 1/4	× 1/4	× 1/4	× 1/8	× 1/8	× 1/24	× 1/4	× 1/24

Division ratio of divider 2

FRQMR1 read value	CPU clock lck	RAM clock Uck	SuperHyway clock SHck	GDTA clock GAck	DU clock DUck	Peripheral clock Pck	DDR clock DDRck	Bus clock Bck
H'2228 2458	× 1/4	× 1/4	× 1/4	× 1/8	× 1/12	× 1/24	× 1/4	× 1/24
H'2228 2488	× 1/4	× 1/4	× 1/4	× 1/8	× 1/24	× 1/24	× 1/4	× 1/24
H'2228 244B	× 1/4	× 1/4	× 1/4	× 1/8	× 1/8	× 1/48	× 1/4	× 1/24
H'2228 245B	× 1/4	× 1/4	× 1/4	× 1/8	× 1/12	× 1/48	× 1/4	× 1/24
H'2228 246B	× 1/4	× 1/4	× 1/4	× 1/8	× 1/16	× 1/48	× 1/4	× 1/24
H'2228 248B	× 1/4	× 1/4	× 1/4	× 1/8	× 1/24	× 1/48	× 1/4	× 1/24
H'2228 24BB	× 1/4	× 1/4	× 1/4	× 1/8	× 1/48	× 1/48	× 1/4	× 1/24
H'222A 244A	× 1/4	× 1/4	× 1/4	× 1/8	× 1/8	× 1/36	× 1/4	× 1/36
H'222A 246A	× 1/4	× 1/4	× 1/4	× 1/8	× 1/16	× 1/36	× 1/4	× 1/36
H'222A 24AA	× 1/4	× 1/4	× 1/4	× 1/8	× 1/36	× 1/36	× 1/4	× 1/36
H'222B 244B	× 1/4	× 1/4	× 1/4	× 1/8	× 1/8	× 1/48	× 1/4	× 1/48
H'222B 245B	× 1/4	× 1/4	× 1/4	× 1/8	× 1/12	× 1/48	× 1/4	× 1/48
H'222B 246B	× 1/4	× 1/4	× 1/4	× 1/8	× 1/16	× 1/48	× 1/4	× 1/48
H'222B 248B	× 1/4	× 1/4	× 1/4	× 1/8	× 1/24	× 1/48	× 1/4	× 1/48
H'222B 24BB	× 1/4	× 1/4	× 1/4	× 1/8	× 1/48	× 1/48	× 1/4	× 1/48

Table 15.10 Selectable Combinations of Clock Frequency (CPU Clock: × 1/2, DDR Clock: × 1/6)

FRQMR1 read value	Division ratio of divider 2							
	CPU clock lck	RAM clock Uck	SuperHyway clock SHck	GDTA clock GAck	DU clock DUck	Peripheral clock Pck	DDR clock DDRck	Bus clock Bck
H'1335 3558	× 1/2	× 1/6	× 1/6	× 1/12	× 1/12	× 1/24	× 1/6	× 1/12
H'1335 3588	× 1/2	× 1/6	× 1/6	× 1/12	× 1/24	× 1/24	× 1/6	× 1/12
H'1335 355A	× 1/2	× 1/6	× 1/6	× 1/12	× 1/12	× 1/36	× 1/6	× 1/12
H'1335 357A	× 1/2	× 1/6	× 1/6	× 1/12	× 1/18	× 1/36	× 1/6	× 1/12
H'1335 35AA	× 1/2	× 1/6	× 1/6	× 1/12	× 1/36	× 1/36	× 1/6	× 1/12
H'1335 355B	× 1/2	× 1/6	× 1/6	× 1/12	× 1/12	× 1/48	× 1/6	× 1/12
H'1335 358B	× 1/2	× 1/6	× 1/6	× 1/12	× 1/24	× 1/48	× 1/6	× 1/12
H'1335 35BB	× 1/2	× 1/6	× 1/6	× 1/12	× 1/48	× 1/48	× 1/6	× 1/12
H'1337 355A	× 1/2	× 1/6	× 1/6	× 1/12	× 1/12	× 1/36	× 1/6	× 1/18
H'1337 357A	× 1/2	× 1/6	× 1/6	× 1/12	× 1/18	× 1/36	× 1/6	× 1/18
H'1337 35AA	× 1/2	× 1/6	× 1/6	× 1/12	× 1/36	× 1/36	× 1/6	× 1/18
H'1338 3558	× 1/2	× 1/6	× 1/6	× 1/12	× 1/12	× 1/24	× 1/6	× 1/24
H'1338 3588	× 1/2	× 1/6	× 1/6	× 1/12	× 1/24	× 1/24	× 1/6	× 1/24
H'1338 355B	× 1/2	× 1/6	× 1/6	× 1/12	× 1/12	× 1/48	× 1/6	× 1/24
H'1338 358B	× 1/2	× 1/6	× 1/6	× 1/12	× 1/24	× 1/48	× 1/6	× 1/24
H'1338 35BB	× 1/2	× 1/6	× 1/6	× 1/12	× 1/48	× 1/48	× 1/6	× 1/24
H'133A 355A	× 1/2	× 1/6	× 1/6	× 1/12	× 1/12	× 1/36	× 1/6	× 1/36
H'133A 357A	× 1/2	× 1/6	× 1/6	× 1/12	× 1/18	× 1/36	× 1/6	× 1/36
H'133A 35AA	× 1/2	× 1/6	× 1/6	× 1/12	× 1/36	× 1/36	× 1/6	× 1/36
H'133B 355B	× 1/2	× 1/6	× 1/6	× 1/12	× 1/12	× 1/48	× 1/6	× 1/48
H'133B 358B	× 1/2	× 1/6	× 1/6	× 1/12	× 1/24	× 1/48	× 1/6	× 1/48
H'133B 35BB	× 1/2	× 1/6	× 1/6	× 1/12	× 1/48	× 1/48	× 1/6	× 1/48

Table 15.11 Selectable Combinations of Clock Frequency (CPU Clock: $\times 1/6$, DDR Clock: $\times 1/6$)

FRQMR1 read value	Division ratio of divider 2							
	CPU clock	RAM clock	SuperHyway clock	GDTA clock	DU clock	Peripheral clock	DDR clock	Bus clock
	lck	Uck	SHck	GAck	DUck	Pck	DDRck	Bck
H'3335 3558	$\times 1/6$	$\times 1/6$	$\times 1/6$	$\times 1/12$	$\times 1/12$	$\times 1/24$	$\times 1/6$	$\times 1/12$
H'3335 3588	$\times 1/6$	$\times 1/6$	$\times 1/6$	$\times 1/12$	$\times 1/24$	$\times 1/24$	$\times 1/6$	$\times 1/12$
H'3335 355A	$\times 1/6$	$\times 1/6$	$\times 1/6$	$\times 1/12$	$\times 1/12$	$\times 1/36$	$\times 1/6$	$\times 1/12$
H'3335 357A	$\times 1/6$	$\times 1/6$	$\times 1/6$	$\times 1/12$	$\times 1/18$	$\times 1/36$	$\times 1/6$	$\times 1/12$
H'3335 35AA	$\times 1/6$	$\times 1/6$	$\times 1/6$	$\times 1/12$	$\times 1/36$	$\times 1/36$	$\times 1/6$	$\times 1/12$
H'3335 355B	$\times 1/6$	$\times 1/6$	$\times 1/6$	$\times 1/12$	$\times 1/12$	$\times 1/48$	$\times 1/6$	$\times 1/12$
H'3335 358B	$\times 1/6$	$\times 1/6$	$\times 1/6$	$\times 1/12$	$\times 1/24$	$\times 1/48$	$\times 1/6$	$\times 1/12$
H'3335 35BB	$\times 1/6$	$\times 1/6$	$\times 1/6$	$\times 1/12$	$\times 1/48$	$\times 1/48$	$\times 1/6$	$\times 1/12$
H'3337 355A	$\times 1/6$	$\times 1/6$	$\times 1/6$	$\times 1/12$	$\times 1/12$	$\times 1/36$	$\times 1/6$	$\times 1/18$
H'3337 357A	$\times 1/6$	$\times 1/6$	$\times 1/6$	$\times 1/12$	$\times 1/18$	$\times 1/36$	$\times 1/6$	$\times 1/18$
H'3337 35AA	$\times 1/6$	$\times 1/6$	$\times 1/6$	$\times 1/12$	$\times 1/36$	$\times 1/36$	$\times 1/6$	$\times 1/18$
H'3338 3558	$\times 1/6$	$\times 1/6$	$\times 1/6$	$\times 1/12$	$\times 1/12$	$\times 1/24$	$\times 1/6$	$\times 1/24$
H'3338 3588	$\times 1/6$	$\times 1/6$	$\times 1/6$	$\times 1/12$	$\times 1/24$	$\times 1/24$	$\times 1/6$	$\times 1/24$
H'3338 355B	$\times 1/6$	$\times 1/6$	$\times 1/6$	$\times 1/12$	$\times 1/12$	$\times 1/48$	$\times 1/6$	$\times 1/24$
H'3338 358B	$\times 1/6$	$\times 1/6$	$\times 1/6$	$\times 1/12$	$\times 1/24$	$\times 1/48$	$\times 1/6$	$\times 1/24$
H'3338 35BB	$\times 1/6$	$\times 1/6$	$\times 1/6$	$\times 1/12$	$\times 1/48$	$\times 1/48$	$\times 1/6$	$\times 1/24$
H'333A 355A	$\times 1/6$	$\times 1/6$	$\times 1/6$	$\times 1/12$	$\times 1/12$	$\times 1/36$	$\times 1/6$	$\times 1/36$
H'333A 357A	$\times 1/6$	$\times 1/6$	$\times 1/6$	$\times 1/12$	$\times 1/18$	$\times 1/36$	$\times 1/6$	$\times 1/36$
H'333A 35AA	$\times 1/6$	$\times 1/6$	$\times 1/6$	$\times 1/12$	$\times 1/36$	$\times 1/36$	$\times 1/6$	$\times 1/36$
H'333B 355B	$\times 1/6$	$\times 1/6$	$\times 1/6$	$\times 1/12$	$\times 1/12$	$\times 1/48$	$\times 1/6$	$\times 1/48$
H'333B 358B	$\times 1/6$	$\times 1/6$	$\times 1/6$	$\times 1/12$	$\times 1/24$	$\times 1/48$	$\times 1/6$	$\times 1/48$
H'333B 35BB	$\times 1/6$	$\times 1/6$	$\times 1/6$	$\times 1/12$	$\times 1/48$	$\times 1/48$	$\times 1/6$	$\times 1/48$

15.7 Notes on Designing Board

1. Note on Using a Crystal Resonator

Place the crystal resonator and capacitors close to the EXTAL and XTAL pins as much as possible. No other signal lines should cross the signal line of these pins. Induction may prevent correct oscillation.

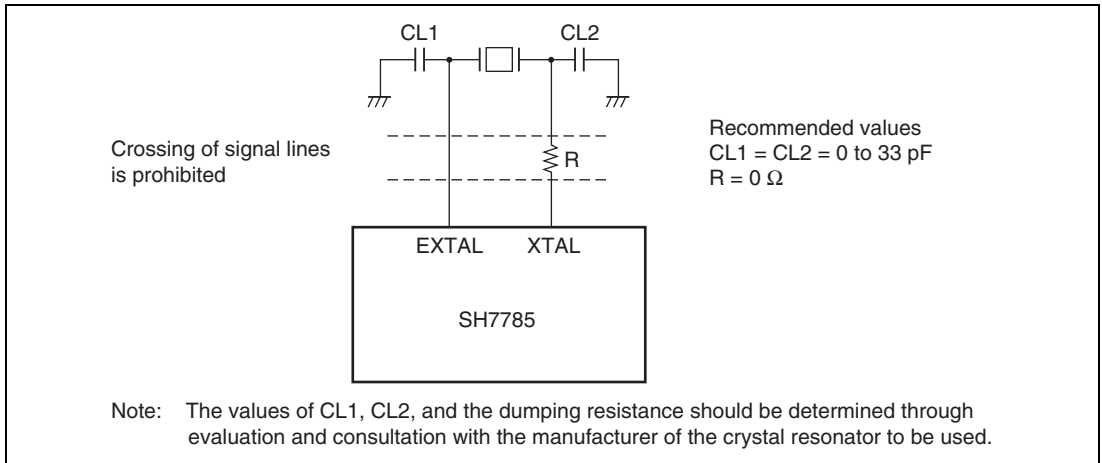


Figure 15.4 Note on Using a Crystal Resonator

2. Note on Inputting the External Clock from the EXTAL Pin

Do not connect anything to the XTAL pin.

3. Note on Using a PLL Oscillator Circuit

Place VDDQ-PLL1, VDDQ-PLL2, VSSQ-PLL1, and VSSQ-PLL2 away from other VDDs and VSSs on the power supply of the board. Insert resistors RCB, and bypass capacitors, CPB and CB, as noise filters near the pins.

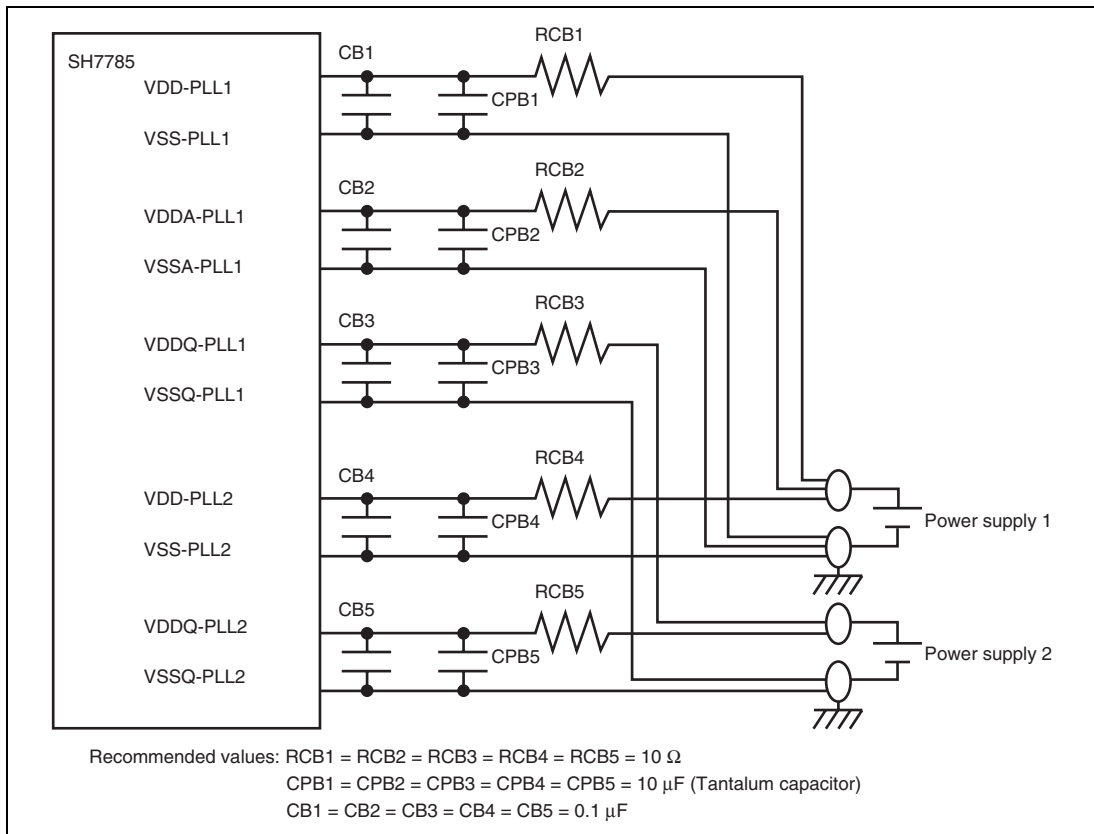


Figure 15.5 Note on Using a PLL Oscillator Circuit

Section 16 Watchdog Timer and Reset (WDT)

The watchdog timer and reset module (WDT) comprises a reset control unit and a watchdog timer control unit, and controls the power-on reset sequence and internal reset of the LSI.

The WDT is a single-channel timer that can be used either as a watchdog timer or interval timer.

16.1 Features

- The watchdog timer unit monitors for system runaway using a timer counting at regular time intervals.
- Two operating modes:
 - In watchdog timer mode, internal reset of the chip is initiated on counter overflow and on-chip modules are reset.
 - In interval timer mode, an interrupt is generated on counter overflow.
- Selectable between power-on reset and manual reset. When manual reset is selected, a manual reset signal is output from the $\overline{\text{MRESETOUT}}$ pin.
- In order to prevent accidental writing to the WDT-related registers, writing to them is only possible when a certain code is set in the uppermost eight bits in the data for writing.

Figure 16.1 is a block diagram of the WDT.

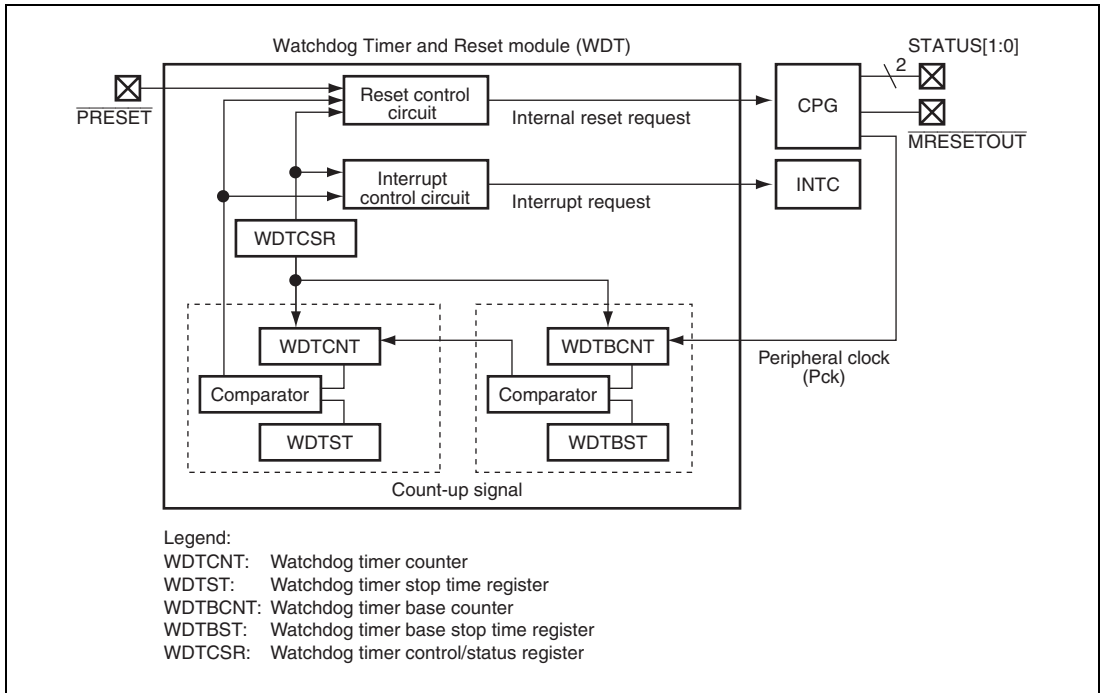


Figure 16.1 Block Diagram of WDT

16.2 Input/Output Pins

Table 16.1 shows the pin configuration of the WDT module.

Table 16.1 Pin Configuration

Pin name	Function	I/O	Description												
$\overline{\text{PRESET}}$	Power-on reset input	Input	A low level input to this pin places the LSI in the power-on reset state.												
$\overline{\text{MRESETOUT}}$	Manual reset output	Output	Low level is output during manual reset execution. This pin is multiplexed with the $\overline{\text{IRQOUT}}$ (INTC) pin.												
STATUS[1:0]	Status output	Output	Indicate the LSI's operating status <table border="0"> <tr> <td>STATUS1</td> <td>STATUS0</td> <td>Operating Status</td> </tr> <tr> <td>High</td> <td>High</td> <td>Reset</td> </tr> <tr> <td>High</td> <td>Low</td> <td>Sleep mode</td> </tr> <tr> <td>Low</td> <td>Low</td> <td>Normal operation</td> </tr> </table> <p>The STATUS1 pin is multiplexed with the DRAK1 (DMAC) and PK6 (GPIO) pins. The STATUS0 pin is multiplexed with the DRAK0 (DMAC) and PK7 (GPIO) pins.</p>	STATUS1	STATUS0	Operating Status	High	High	Reset	High	Low	Sleep mode	Low	Low	Normal operation
STATUS1	STATUS0	Operating Status													
High	High	Reset													
High	Low	Sleep mode													
Low	Low	Normal operation													

16.3 Register Descriptions

Table 16.2 shows the registers of the WDT module. Table 16.3 shows the register states in each operating mode.

Table 16.2 Register Configuration

Register Name	Abbreviation	R/W	P4 Address	Area 7 Address	Access Size	Sync Clock
Watchdog timer stop time register	WDTST	R/W	H'FFCC 0000	H'1FCC 0000	32	Pck
Watchdog timer control/status register	WDTCSR	R/W	H'FFCC 0004	H'1FCC 0004	32	Pck
Watchdog timer base stop time register	WDTBST	R/W	H'FFCC 0008	H'1FCC 0008	32	Pck
Watchdog timer counter	WDCNT	R	H'FFCC 0010	H'1FCC 0010	32	Pck
Watchdog timer base counter	WDTBCNT	R	H'FFCC 0018	H'1FCC 0018	32	Pck

Table 16.3 Register States in Each Operating Mode

Register Name	Abbreviation	Power-on Reset by PRESET Pin	Power-on Reset by WDT/H-UDI	Manual Reset by WDT/ Multiple Exception	Sleep/Deep Sleep Mode by SLEEP Instruction
Watchdog timer stop time register	WDTST	H'0000 0000	Retained	Retained	Retained
Watchdog timer control/status register	WDTCSR	H'0000 0000	Retained	Retained	Retained
Watchdog timer base stop time register	WDTBST	H'0000 0000	Retained	Retained	Retained
Watchdog timer counter	WDCNT	H'0000 0000	H'0000 0000	Retained	Retained
Watchdog timer base counter	WDTBCNT	H'0000 0000	H'0000 0000	Retained	Retained

16.3.1 Watchdog Timer Stop Time Register (WDTST)

WDTST is a 32-bit readable/writable register that specifies the time until watchdog timer counter WDCNT overflows. The time until WDCNT overflows becomes minimum when H'5A00 0001 is set, and maximum when H'5A00 0000 is set.

WDTST should be written as a longword unit, with H'5A in the most significant byte. The value read from this byte is always H'00. WDTST is only reset by a power-on reset caused by the PRESET pin.

Bit:	31	30	29	28	27	26	25	24	23	22	21	20	19	18	17	16
	Code for writing (H'5A)								—	—	—	—	—	—	—	—
Initial value:	0	0	0	0	0	0	0	0	0	0	0	0	0	0	0	0
R/W:	R/W	R/W	R/W	R/W	R/W	R/W	R/W	R/W	R	R	R	R	R	R	R	R
Bit:	15	14	13	12	11	10	9	8	7	6	5	4	3	2	1	0
	—	—	—	—	WDTST											
Initial value:	0	0	0	0	0	0	0	0	0	0	0	0	0	0	0	0
R/W:	R	R	R	R	R/W	R/W	R/W	R/W	R/W	R/W	R/W	R/W	R/W	R/W	R/W	R/W

Bit	Bit Name	Initial Value	R/W	Description
31 to 24	(Code for writing)	All 0	R/W	Code for writing (H'5A) These bits are always read as H'00. When writing to this register, the value written to these bits must be H'5A.
23 to 12	—	All 0	R	Reserved These bits are always read as 0. The write value should always be 0.
11 to 0	WDTST	All 0	R/W	Timer Stop These bits set the counter value at which WDCNT overflows. H'001: Minimum overflow value H'000: Maximum overflow value

16.3.2 Watchdog Timer Control/Status Register (WDTCR)

WDTCR is a 32-bit readable/writable register comprising timer mode-selecting bits and overflow flags.

WDTCR should be written to as a longword unit, with H'A5 in the most significant byte. The value read from this byte is always H'00. WDTCR is only reset by a power-on reset caused by the PRESET pin.

Bit:	31	30	29	28	27	26	25	24	23	22	21	20	19	18	17	16
	Code for writing (H'A5)								—	—	—	—	—	—	—	—
Initial value:	0	0	0	0	0	0	0	0	0	0	0	0	0	0	0	0
R/W:	R/W	R/W	R/W	R/W	R/W	R/W	R/W	R/W	R	R	R	R	R	R	R	R
Bit:	15	14	13	12	11	10	9	8	7	6	5	4	3	2	1	0
	—	—	—	—	—	—	—	—	TME	WT/IT	RSTS	WOVF	IOVF	—	—	—
Initial value:	0	0	0	0	0	0	0	0	0	0	0	0	0	0	0	0
R/W:	R	R	R	R	R	R	R	R	R/W	R/W	R/W	R/W	R/W	R	R	R

Bit	Bit Name	Initial Value	R/W	Description
31 to 24	(Code for writing)	All 0	R/W	Code for writing (H'A5) These bits are always read as H'00. When writing to this register, the value written to these bits must be H'A5.
23 to 8	—	All 0	R	Reserved These bits are always read as 0. The write value should always be 0.
7	TME	0	R/W	Timer Enable Starts or stops the timer operation. 0: Stops counting up. 1: Starts counting up.
6	WT/IT	0	R/W	Timer Mode Select Specifies whether the WDT is used as a watchdog timer or interval timer. Up counting may not be performed correctly if this bit is modified while the WDT is running. 0: Interval timer mode 1: Watchdog timer mode

Bit	Bit Name	Initial Value	R/W	Description
5	RSTS	0	R/W	Reset Select Specifies the type of reset on WDT CNT overflow in watchdog timer mode. This setting is ignored in interval timer mode. 0: Power-on reset 1: Manual reset
4	WOVF	0	R/W	Watchdog Timer Overflow Flag Indicates that WDT CNT has overflowed in watchdog timer mode. This flag is not set in interval timer mode. 0: WDT CNT has not overflowed. 1: WDT CNT has overflowed.
3	IOVF	0	R/W	Interval Timer Overflow Flag Indicates that WDT CNT has overflowed in interval timer mode. This flag is not set in watchdog timer mode. 0: WDT CNT has not overflowed. 1: WDT CNT has overflowed.
2 to 0	—	All 0	R	Reserved These bits are always read as 0. The write value should always be 0.

16.3.3 Watchdog Timer Base Stop Time Register (WDTBST)

WDTBST is a 32-bit readable/writable register that specifies the time until counter WDTBCNT overflows when the bus clock frequency has been changed. The time until WDTBCNT overflows becomes minimum when H'5500 0001 is set, and maximum when H'5500 0000 is set.

WDTBST should be written to as a longword unit, with H'55 in the most significant byte. The value read from this byte is always H'00. WDTBST is only reset by a power-on reset caused by the PRESET pin.

Bit:	31	30	29	28	27	26	25	24	23	22	21	20	19	18	17	16
	Code for writing (H'55)								—	—	—	—	—	—	WDTBST	
Initial value:	0	0	0	0	0	0	0	0	0	0	0	0	0	0	0	0
R/W:	R/W	R/W	R/W	R/W	R/W	R/W	R/W	R/W	R	R	R	R	R	R	R/W	R/W
Bit:	15	14	13	12	11	10	9	8	7	6	5	4	3	2	1	0
	WDTBST															
Initial value:	0	0	0	0	0	0	0	0	0	0	0	0	0	0	0	0
R/W:	R/W	R/W	R/W	R/W	R/W	R/W	R/W	R/W	R/W	R/W	R/W	R/W	R/W	R/W	R/W	R/W

Bit	Bit Name	Initial Value	R/W	Description
31 to 24	(Code for writing)	All 0	R/W	Code for writing (H'55) These bits are always read as H'00. When writing to this register, the value written to these bits must be H'55.
23 to 18	—	All 0	R	Reserved These bits are always read as 0. The write value should always be 0.
17 to 0	WDTBST	All 0	R/W	Base Timer Stop These bits set the counter value at which WDTBCNT overflows. H'00001: Minimum overflow value H'00000: Maximum overflow value

16.3.4 Watchdog Timer Counter (WDCNT)

WDCNT is a 32-bit read-only register comprising a 12-bit counter that is incremented by the WDTBCNT overflow signal. When WDCNT overflows, a reset of the selected type is initiated in watchdog timer mode, or an interrupt is generated in interval timer mode.

WDCNT is only reset by a power-on reset. Writing to this register is invalid.

Bit:	31	30	29	28	27	26	25	24	23	22	21	20	19	18	17	16
	—	—	—	—	—	—	—	—	—	—	—	—	—	—	—	—
Initial value:	0	0	0	0	0	0	0	0	0	0	0	0	0	0	0	0
R/W:	R	R	R	R	R	R	R	R	R	R	R	R	R	R	R	R
Bit:	15	14	13	12	11	10	9	8	7	6	5	4	3	2	1	0
	—	—	—	—	WDCNT											
Initial value:	0	0	0	0	0	0	0	0	0	0	0	0	0	0	0	0
R/W:	R	R	R	R	R	R	R	R	R	R	R	R	R	R	R	R

Bit	Bit Name	Initial Value	R/W	Description
31 to 12	—	All 0	R	Reserved These bits are always read as 0. The write value should always be 0.
11 to 0	WDCNT	All 0	R	Counter value

16.3.5 Watchdog Timer Base Counter (WDTBCNT)

WDTBCNT is a 32-bit read-only register comprising an 18-bit counter that is incremented by the peripheral clock (Pck). When WDTBCNT overflows, WDTBCNT is incremented and WDTBCNT is cleared to H'0000 0000.

WDTBCNT is only reset by a power-on reset. Writing to this register is invalid.

Bit:	31	30	29	28	27	26	25	24	23	22	21	20	19	18	17	16
	—	—	—	—	—	—	—	—	—	—	—	—	—	—	—	WDTBCNT
Initial value:	0	0	0	0	0	0	0	0	0	0	0	0	0	0	0	0
R/W:	R	R	R	R	R	R	R	R	R	R	R	R	R	R	R	R
Bit:	15	14	13	12	11	10	9	8	7	6	5	4	3	2	1	0
	WDTBCNT															
Initial value:	0	0	0	0	0	0	0	0	0	0	0	0	0	0	0	0
R/W:	R	R	R	R	R	R	R	R	R	R	R	R	R	R	R	R

Bit	Bit Name	Initial Value	R/W	Description
31 to 18	—	All 0	R	Reserved These bits are always read as 0. The write value should always be 0.
17 to 0	WDTBCNT	All 0	R	Base counter value

16.4 Operation

16.4.1 Reset Request

Power-on reset and manual reset are available. Their requesting sources are described below.

(1) Power-On Reset

- Requesting sources
 - A low level input on the $\overline{\text{PRESET}}$ pin
 - WDTCNT overflow when the WT/IT bit is 1 and the RSTS bit is 0 in WDTCSR
 - The H-UDI reset (For details, see section 30, User Debugging Interface (H-UDI))

- Branch address: H'A000 0000

- Operation until branching

The exception code H'000 is set in EXPEVT. After initializing VBR and SR, the processing branches by setting PC = H'A000 0000.

During initialization, the VBR register is reset to H'0000 0000. The SR register is initialized such that the MD, RB, and BL bits are set to 1, the FD bit is cleared to 0, and the interrupt mask level bits (IMASK3 to IMASK0) are set to B'1111.

Then, the CPU and peripheral modules are initialized. For details, refer to the register descriptions in the corresponding sections.

At power-on, ensure that a low level is input to the $\overline{\text{PRESET}}$ pin. A low level input is also needed on the $\overline{\text{TRST}}$ pin to initialize the H-UDI.

```
Power_on_reset()
{
    EXPEVT = H'0000 0000;
    VBR = H'0000 0000;
    SR.MD = 1;
    SR.RB = 1;
    SR.BL = 1;
    SR.(I0-I3) = B'1111;
    SR.FD = 0;
    Initialize_CPU();
    Initialize_Module(PowerOn);
    PC = H'A000 0000;
}
```

(2) Manual Reset

- Requesting sources
 - A general exception other than a user break while the BL bit in SR is set to 1.
 - WDTCNT overflow when both the $\overline{WT/IT}$ and RSTS bits in WDTCSR are set to 1

- Branch address: H'A000 0000

- Operation until branching

The exception code H'020 is set in EXPEVT. After initializing VBR and SR, the processing branches by setting PC = H'A000 0000.

During initialization, the VBR register is reset to H'0000 0000. The SR register is initialized such that the MD, RB, and BL bits are set to 1, the FD bit is cleared to 0, and the interrupt mask level bits (IMASK3 to IMASK0) are set to B'1111.

Then, the CPU and peripheral modules are initialized. For details, refer to the register descriptions in the corresponding sections.

```
Manual_reset()  
{  
    EXPEVT = H'0000 0020;  
    VBR = H'0000 0000;  
    SR.MD = 1;  
    SR.RB = 1;  
    SR.BL = 1;  
    SR.(I0-I3) = B'1111;  
    SR.FD = 0;  
    Initialize_CPU();  
    Initialize_Module(Manual);  
    PC = H'A000 0000;  
}
```


16.4.2 Using Watchdog Timer Mode

1. Set the WDTCNT overflow time in WDTST.
2. Set the $\overline{WT/IT}$ bit in WDTCSR to 1, and select the type of reset with the RSTS bit.
3. When the TME bit in WDTCSR is set to 1, the WDT counter starts.
4. In watchdog timer mode, clear the WDTCNT or WDTBCNT periodically so that WDTCNT does not overflow. See section 16.4.5, Clearing WDT Counters, for how to clear the WDT counter.
5. When the WDTCNT overflows, the WDT sets the WOVF flag in WDTCSR to 1, and generates a reset of the type specified by the RSTS bit. After the reset state is exited, WDTCNT and WDTBCNT start counting again.

16.4.3 Using Interval Timer Mode

In interval timer mode, the WDT generates an interval timer interrupt each time the counter overflows. This allows interrupt generation at regular intervals.

1. Set the WDTCNT overflow time in WDTST.
2. Clear the $\overline{WT/IT}$ bit in WDTCSR to 0.
3. When the TME bit in WDTCSR is set to 1, the WDT counter starts.
4. When the WDTCNT overflows, the WDT sets the IOVF flag in WDTCSR to 1, generating an interval timer interrupt (ITI) request. WDTCNT and WDTBCNT continue counting.

16.4.4 Time until WDT Counters Overflow

The relationship between WDCNT and WDTBCNT is shown in figure 16.2. The example shown in the figure is the operation in interval timer mode, where WDCNT restarts counting after it has overflowed. In watchdog timer mode, WDCNT and WDTBCNT are cleared to 0 after the reset state is exited and start counting up again.

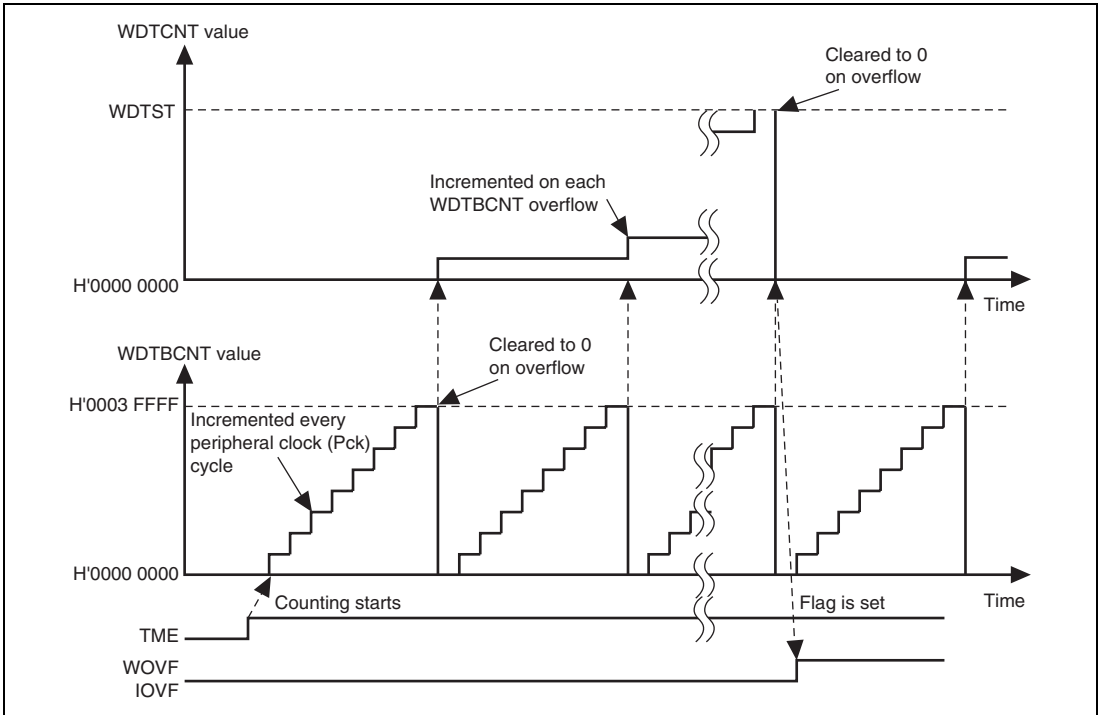


Figure 16.2 WDT Counting Operations (Example in Interval Timer Mode)

WDTBCNT is an 18-bit counter that is incremented by the peripheral clock. If the period of peripheral clock Pck is represented as tPck (ns), the overflow time of WDTBCNT is expressed as follows.

$$2^{18} [\text{bit}] \times \text{tPck} [\text{ns}] = 0.262 \times \text{tPck} [\text{ms}]$$

WDTCNT is a 12-bit counter that is incremented each time WDTBCNT overflows. The time until WDTCNT overflows becomes maximum when 0 is written to all the bits in WDTST. If the period of peripheral clock Pck is represented as tPck (ns), the maximum overflow time of WDTCNT is expressed as follows.

$$2^{12} [\text{bit}] \times (0.262 \times \text{tPck}) [\text{ms}] = 1.073 \times \text{tPck} [\text{s}]$$

The time until WDTCNT overflows becomes minimum when H'5A00 0001 is written to WDTST. In this case, the overflow time is equal to that of WDTBCNT.

For example, if the peripheral clock frequency is 50 MHz, tPck is 20 ns and the overflow times are as follows.

$$\text{Overflow time of WDTBCNT: } 0.262 \times 20 = 5.24 [\text{ms}]$$

$$\text{Maximum overflow time of WDTCNT: } 1.073 \times 20 = 21.46 [\text{s}]$$

16.4.5 Clearing WDT Counters

Setting the overflow value in WDTBST clears WDTBCNT to 0, and setting the overflow value in WDTST clears WDTCNT to 0.

16.5 Status Pin Change Timing during Reset

16.5.1 Power-On Reset by $\overline{\text{PRESET}}$ Pin

Since the PLL circuit is initialized when the LSI enters the power-on reset state, the PLL oscillation settling time needs to be ensured. This means that a high level must not be input to the $\overline{\text{PRESET}}$ pin during the PLL oscillation settling time. The PLL oscillation settling time is the sum of the settling times for PLL1 and PLL2.

After the state on the $\overline{\text{PRESET}}$ pin input is changed from a low level to high level, the internal reset state continues until the reset holding time elapses. The reset holding time is equal to or more than 40 cycles of the peripheral clock (Pck).

(1) When the Power Is Turned On

When the power is turned on, ensure that a low level is input to the $\overline{\text{PRESET}}$ pin. A low level input is also needed on the $\overline{\text{TRST}}$ pin to initialize the H-UDI.

The timing of reset state indication on the STATUS[1:0] pins is asynchronous. On the other hand, the timing of indicating normal operation is synchronous with the peripheral clock (Pck), and is therefore asynchronous with the clocks input from the EXTAL pin and the CLKOUT pin.

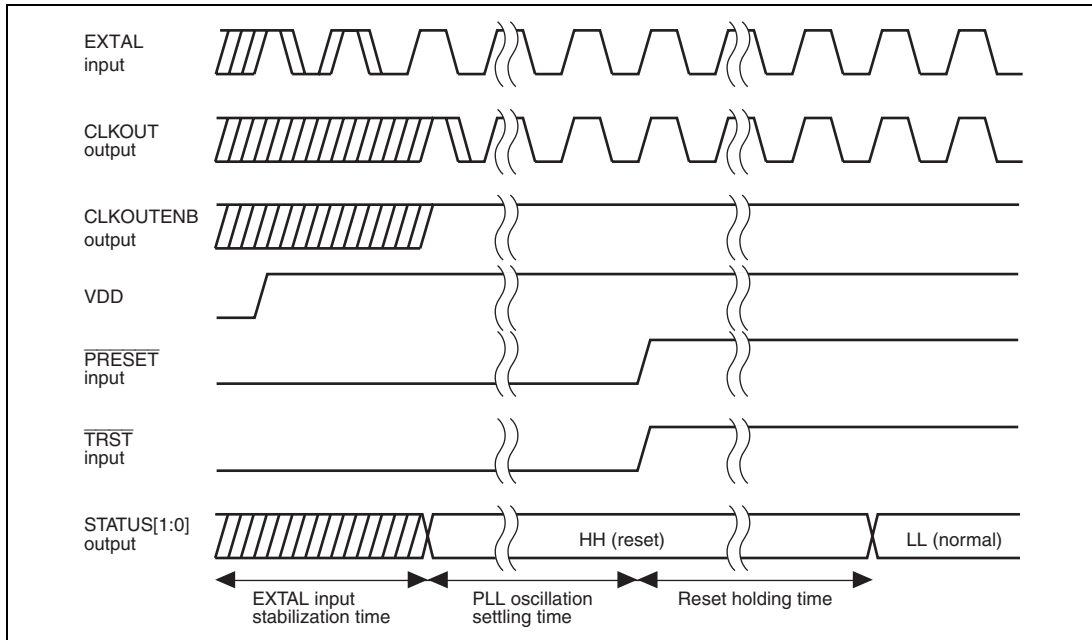


Figure 16.3 STATUS Output when Power Is Turned On

(2) Power-On Reset Caused by $\overline{\text{PRESET}}$ Input during Normal Operation

It is necessary to ensure the PLL oscillation settling time when a power-on reset is initiated by low level input on the $\overline{\text{PRESET}}$ pin during normal operation.

The timing of reset state indication on the STATUS[1:0] pins is asynchronous. The timing of indicating normal operation is synchronous with the peripheral clock (Pck), and is therefore asynchronous with the clocks input from the EXTAL pin and the CLKOUT pin.

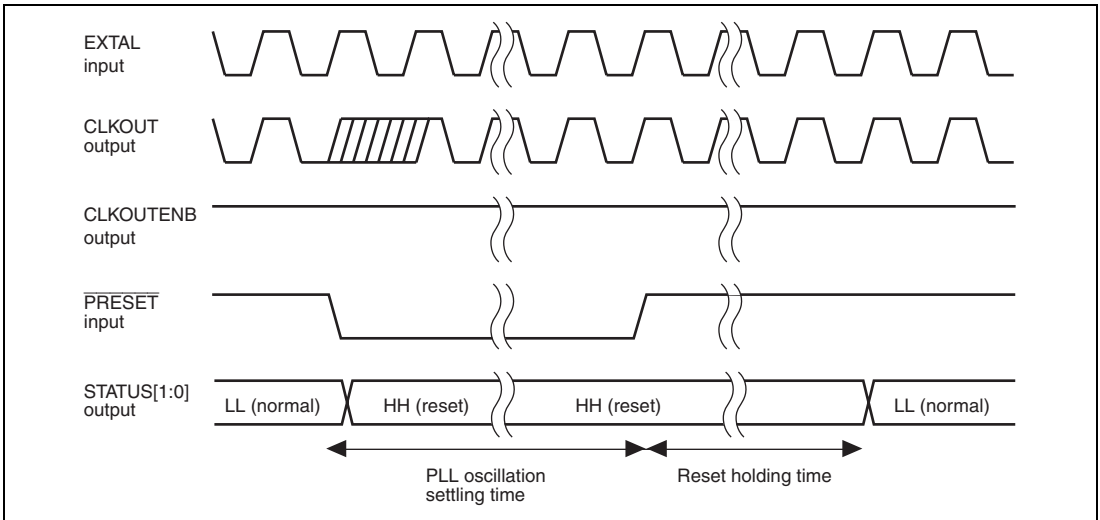


Figure 16.4 STATUS Output by Power-On Reset Caused by $\overline{\text{PRESET}}$ Input during Normal Operation

(3) Power-On Reset Caused by $\overline{\text{PRESET}}$ Input in Sleep Mode

It is necessary to ensure the PLL oscillation settling time when a power-on reset is initiated by a low level input on the $\overline{\text{PRESET}}$ pin during sleep mode.

The timing of reset state indication on the STATUS[1:0] pins is asynchronous. The timing of indicating normal operation is synchronous with the peripheral clock (Pck), and is therefore asynchronous with the clocks input from the EXTAL pin and the CLKOUT pin.

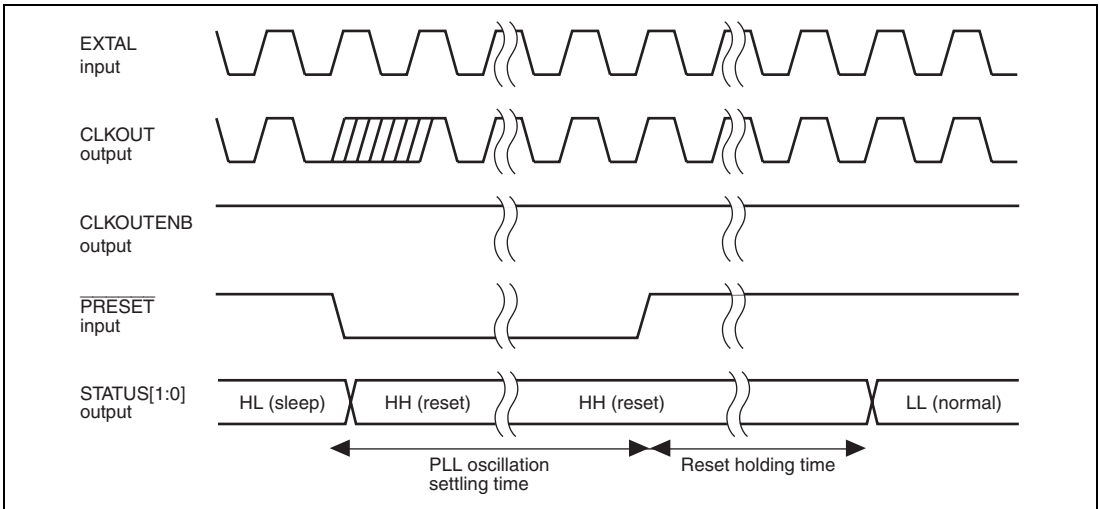


Figure 16.5 STATUS Output by Power-On Reset Caused by $\overline{\text{PRESET}}$ Input in Sleep Mode

16.5.2 Power-On Reset by Watchdog Timer Overflow

The time period taken by power-on reset on watchdog timer overflow (WDT reset holding time) is equal to or more than 40 cycles of the peripheral clock (Pck).

The transition time from watchdog timer overflow to the power-on reset state (WDT reset setup time) is equal to or more than 40 cycles of the peripheral clock (Pck).

If the bus clock frequency has been changed from the initial value, the oscillation settling time of PLL2 circuit and the time until the LSI resumes operation (WDT count up) are also required. In this case, the WDT reset holding time is two peripheral clock (Pck) cycles or more.

(1) Power-On Reset Caused by Watchdog Timer Overflow during Normal Operation

The timing of indicating the reset state or normal operation on the STATUS[1:0] pins is synchronous with the peripheral clock (Pck), and is therefore asynchronous with the clocks input from the EXTAL pin and the CLKOUT pin.

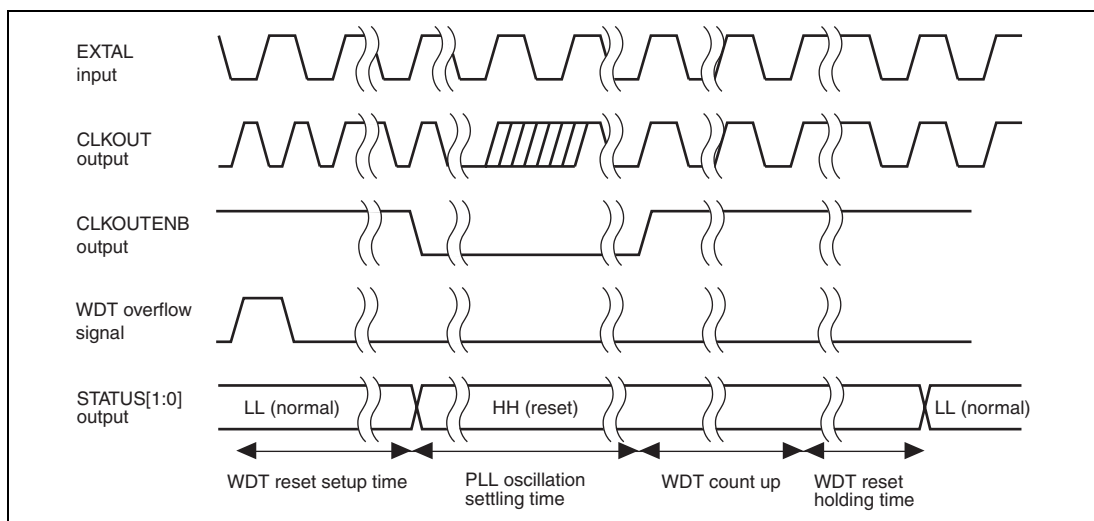


Figure 16.6 STATUS Output by Power-On Reset Caused by WDT Overflow during Normal Operation

(2) Power-On Reset Caused by Watchdog Timer Overflow in Sleep Mode

The timing of indicating the reset state or normal operation on the STATUS[1:0] pins is synchronous with the peripheral clock (Pck), and is therefore asynchronous with the clocks input from the EXTAL pin and the CLKOUT pin.

If the bus clock frequency has been changed from the initial value, the oscillation settling time of PLL2 circuit and the time until the LSI resumes operation (WDT count up) are also required. In this case, the WDT reset holding time is two peripheral clock (Pck) cycles or more.

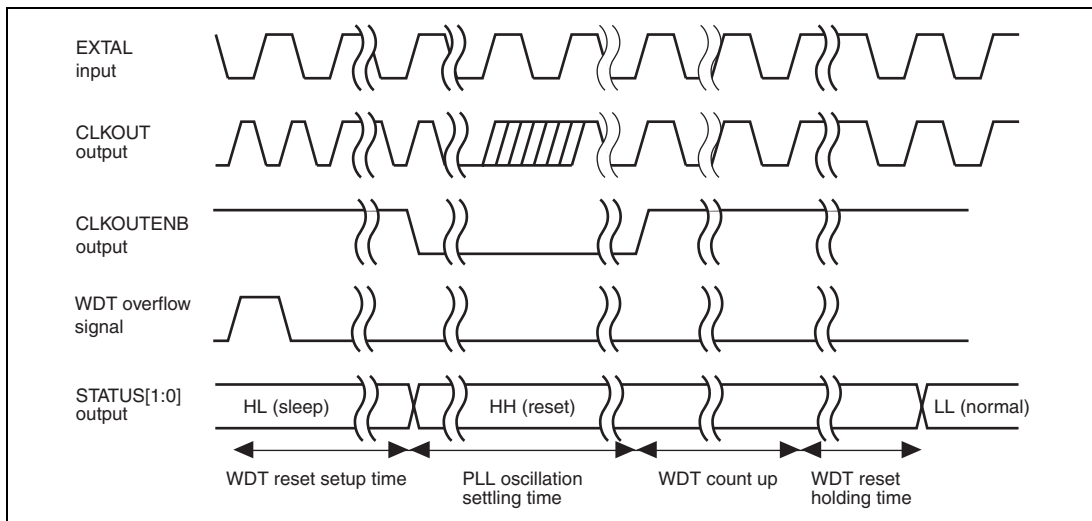


Figure 16.7 STATUS Output by Power-On Reset Caused by WDT Overflow in Sleep Mode

16.5.3 Manual Reset by Watchdog Timer Overflow

The time period taken by manual reset on watchdog timer overflow (WDT manual reset holding time) is equal to or more than 30 cycles of the peripheral clock (Pck).

The transition time from watchdog timer overflow to the manual reset state (WDT reset setup time) is equal to or more than eight cycles of the peripheral clock (Pck).

(1) Manual Reset Caused by Watchdog Timer Overflow during Normal Operation

The timing of indicating the reset state or normal operation on the STATUS[1:0] pins is synchronous with the peripheral clock (Pck), and is therefore asynchronous with the clocks input from the EXTAL pin and the CLKOUT pin.

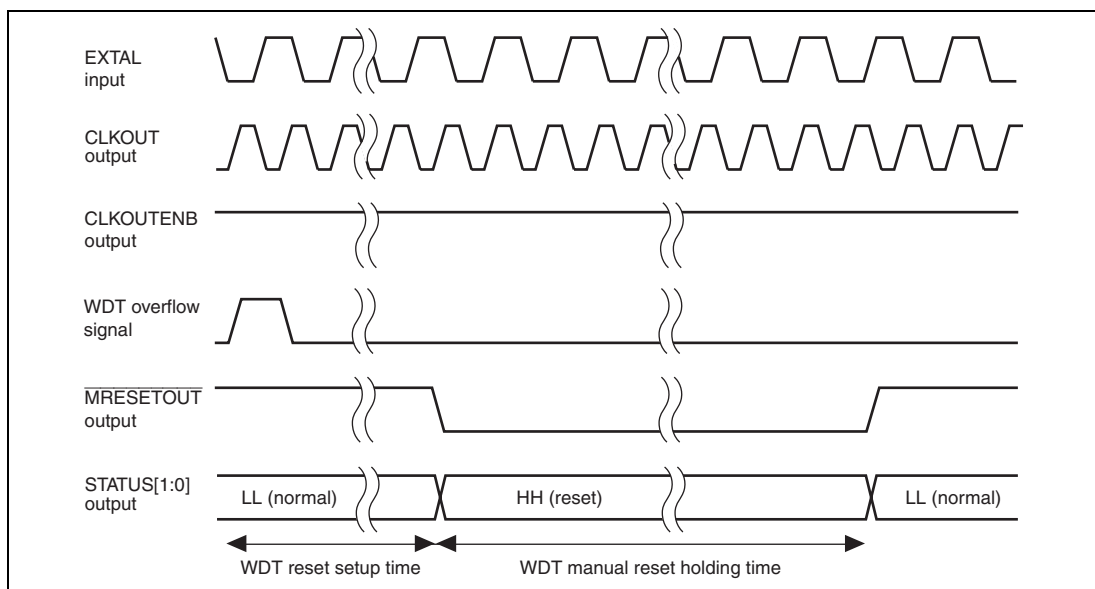


Figure 16.8 STATUS Output by Manual Reset Caused by WDT Overflow during Normal Operation

(2) Manual Reset Caused by Watchdog Timer Overflow in Sleep Mode

The timing of indicating the reset state or normal operation on the STATUS[1:0] pins is synchronous with the peripheral clock (Pck), and is therefore asynchronous with the clocks input from the EXTAL pin and the CLKOUT pin.

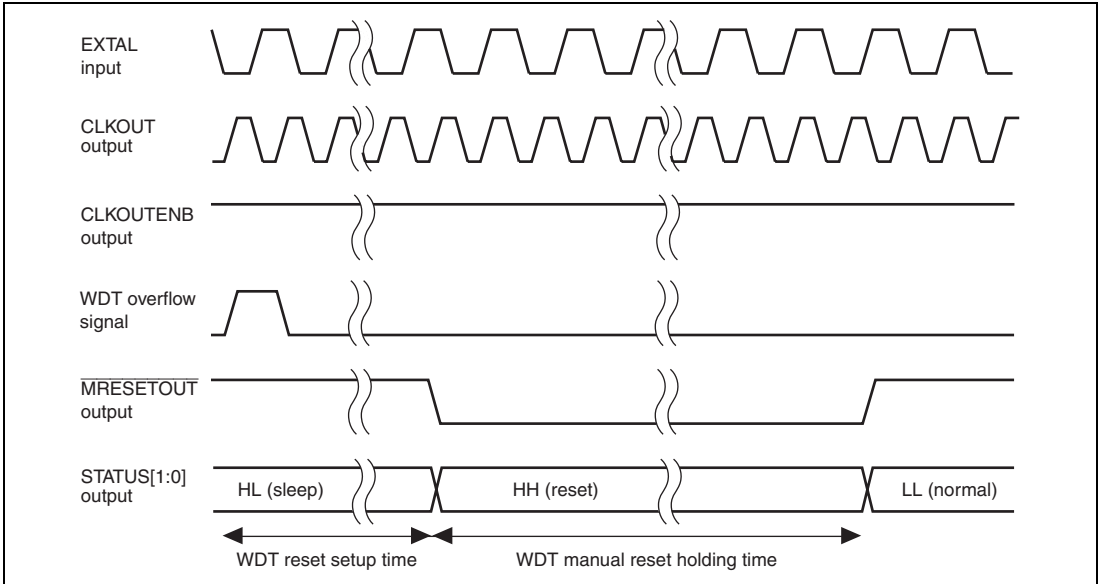


Figure 16.9 STATUS Output by Manual Reset Caused by WDT Overflow in Sleep Mode

Section 17 Power-Down Mode

In power-down mode, some of the on-chip modules and the CPU are stopped. This enables to reduce power consumption.

17.1 Features

- Supports sleep mode, deep sleep mode, and module standby mode
- Supports DDR2-SDRAM power supply backup mode that turns off the power supplies the 1.8-V power supply

17.1.1 Types of Power-Down Modes

Power-down modes have the following modes and functions.

- Sleep mode
- Deep sleep mode
- Module standby function
- DDR-SDRAM power supply backup

Table 17.1 shows the conditions of transition to each mode, the states of the CPU, on-chip modules, etc. in each mode, and the methods for releasing each mode.

Table 17.1 States of Power-Down Modes

Power-Down Mode	Conditions of Transition	State								Releasing Methods
		CPG	CPU	On-Chip Memory	On-Chip Peripheral Module				DDR2-SDRAM	
					DMAC	GDTA	Others	Pin		
Sleep mode	SLEEP instruction executed (see section 17.4)	Operate	Stopped (contents of registers retained)	Retained	Operate	Operate	Operate	Operation retained	Auto-refresh or self-refresh ^{*3}	1. Interrupt 2. Power-on reset 3. Manual reset
Deep sleep mode	Corresponding bit in MSTPCR set to 1 (see section 17.3.2)	Operate	Stopped (contents of registers retained)	Retained	Stopped (contents of registers retained)	Stopped (contents of registers retained)	Operate (DU, TMU, SCIF, SIOF, HSPI, MMCIF, HAC, SSI, FLCTL, and UBC are stopped ^{*1})	Operation retained	Self-refresh	1. Interrupt 2. Power-on reset 3. Manual reset
Module standby function	Clear the corresponding bits in MSTPCR0 and MSTPCR1 to 0 (see sections 17.3.2 and 17.3.3)	Operate	Operate	Retained	Stopped in six-channel units: channels 0 to 5 and channels 6 to 11.	Stopped	Specified modules stopped	Operation retained	Auto-refresh or self-refresh	Clear the corresponding bits in MSTPCR0 and MSTPCR1 to 0 (see sections 17.3.2 and 17.3.3)
DDR2-SDRAM power supply backup ^{*2}	See section 17.7	Stopped	Stopped	Undefined	Stopped	Stopped	Stopped	Undefined except for the 1.8-V power supply interface (When the MBKPRST is low level input, the MCKE is high level output)	Self-refresh	Power-on reset

- Notes: 1. The TMU, SCIF, SIOF, HSPI, MMCIF, HAC, SSI, FLCTL and UBC should be in module stop state by using the module standby function before execute the SLEEP instruction to make transition to deep sleep mode. For detail, refer to section 17.5, Deep Sleep Mode.
2. Power supplies (1.1 V, 3.3 V) except the 1.8 V power supply are stopped in DDR2-SDRAM power supply backup mode. Therefore, all circuitry other than the pad of DDR2 interface are stopped, including DDR2 interface control unit, and the contents of registers are not retained.
3. For details on auto-refresh and self-refresh operation, see section 12, DDR2-SDRAM Interface (DBSC2).

17.2 Input/Output Pins

Table 17.2 shows the pins related to power-down mode.

Table 17.2 Pin Configuration

Pin name	Function	I/O	Description
STATUS1	Processing state 1	Output	Indicate the operating states of this LSI
STATUS0	Processing state 2		STATUS1 STATUS0 Operating states
			H H Reset
			H L Sleep mode
			L L Normal operation
The STATUS1 pin is multiplexed with the DRAK1 (DMAC) and PK6 (GPIO) pins. The STATUS0 pin is multiplexed with the DRAK0 (DMAC) and PK7 (GPIO) pins.			

Note: L means low level, and H means high level.

17.3 Register Descriptions

Table 17.3 shows the list of registers. Table 17.4 shows the register states in each processing mode.

Table 17.3 Register Configuration

Table 17.3 Register Configuration

Register Name	Abbreviation	R/W	P4 Address	Area 7 Address	Access Size	Sync clock
Sleep control register	SLPCR	R/W	H'FFC8 0020	H'1FC8 0020	32	Pck
Standby control register 0	MSTPCR0	R/W	H'FFC8 0030	H'1FC8 0030	32	Pck
Standby control register 1	MSTPCR1	R/W	H'FFC8 0034	H'1FC8 0034	32	Pck
Standby display register	MSTPMR	R	H'FFC8 0044	H'1FC8 0044	32	Pck

Note: For details of MSTPCR0 and MSTPCR1, see figure 15.1.

Table 17.4 Register States of CPG in Each Processing Mode

Register Name	Abbreviation	Power-on Reset	Manual Reset	Sleep/ Deep Sleep
		By $\overline{\text{PRESET}}$ Pin/WDT/H-UDI	By WDT	By SLEEP Instruction
Standby control register 0* ¹	MSTPCR0	H'0000 0000	Retained	Retained
Standby control register 1* ¹	MSTPCR1	H'0000 0000	Retained	Retained
Standby display register	MSTPMR	H'00x0 0000* ²	Retained	Retained

Notes: 1. For details of MSTPCR0 and MSTPCR1, see figure 15.1.

2. The initial value after a power-on reset depends on the combination of mode pin states (MODE11 and MODE12).

If a low level signal is input to the MODE12 pin, the initial value is H'0010 0000.

If a high level signal is input to the MODE12 pin and a low level signal is input to MODE11, the initial value is H'0030 0000.

If a high level signal is input to the MODE12 and MODE11 pins, the initial value is H'0020 0000.

17.3.1 Sleep Control Register (SLPCR)

SLPCR is a 32-bit readable/writable register that can specify transition to deep sleep mode. SLPCR can be accessed only in longword.

This register is initialized by a power-on reset by the $\overline{\text{PRESET}}$ pin or power-on reset by WDT overflow, or H-UDI reset.

Bit:	31	30	29	28	27	26	25	24	23	22	21	20	19	18	17	16
	—	—	—	—	—	—	—	—	—	—	—	—	—	—	—	—
Initial value:	0	0	0	0	0	0	0	0	0	0	0	0	0	0	0	0
R/W:	R	R	R	R	R	R	R	R	R	R	R	R	R	R	R	R
Bit:	15	14	13	12	11	10	9	8	7	6	5	4	3	2	1	0
	—	—	—	—	—	—	—	—	—	—	—	—	—	—	—	DSL
Initial value:	0	0	0	0	0	0	0	0	0	0	0	0	0	0	0	0
R/W:	R	R	R	R	R	R	R	R	R	R	R	R	R	R	R/W	R/W

Bit	Bit Name	Initial Value	R/W	Description
31 to 2	—	All 0	R	Reserved These bits are always read as 0. The write value should always be 0.
1	—	0	R/W	Reserved These bits are always read as 0. The write value should always be 0.
0	DSL	0	R/W	Deep Sleep Enables transition to deep sleep mode by the SLEEP instruction 0: Transition to sleep mode by the SLEEP instruction 1: Transition to deep sleep mode by the SLEEP instruction

17.3.2 Standby Control Register 0 (MSTPCR0)

MSTPCR0 is a 32-bit readable/writable register that can specify whether each peripheral module operates or is stopped. MSTPCR can be accessed only in longword.

This register is initialized by a power-on reset by the $\overline{\text{PRESET}}$ pin or power-on reset by WDT overflow, or H-UDI reset.

Bit:	31	30	29	28	27	26	25	24	23	22	21	20	19	18	17	16	
	—	—	MSTP[29:24]						—	—	MSTP[21:20]		—	—	MSTP[17:16]		
Initial value:	0	0	0	0	0	0	0	0	0	0	0	0	0	0	0	0	
R/W:	R/W	R/W	R/W	R/W	R/W	R/W	R/W	R/W	R/W	R/W	R/W	R/W	R/W	R/W	R/W	R/W	
Bit:	15	14	13	12	11	10	9	8	7	6	5	4	3	2	1	0	
	—	—	MSTP[13:12]		—	—	MSTP[9:8]			—	—	—	—	MSTP[3:2]		—	—
Initial value:	0	0	0	0	0	0	0	0	0	0	0	0	0	0	0	0	
R/W:	R/W	R/W	R/W	R/W	R/W	R/W	R/W	R/W	R/W	R/W	R/W	R/W	R/W	R/W	R/W	R/W	

Bit	Bit Name	Initial Value	R/W	Description
31, 30	—	All 0	R/W	Reserved These bits are always read as 0. The write value should always be 0.
29 to 24	MSTP[29:24]	All 0	R/W	Module Stop Bit [29:24] Specify that the clock supply to the module of the corresponding bit is stopped [29]: SCIF channel 5, [28]: SCIF channel 4, [27]: SCIF channel 3, [26]: SCIF channel 2, [25]: SCIF channel 1, [24]: SCIF channel 0 0: The corresponding module operates 1: The clock to the corresponding module is stopped
23, 22	—	All 0	R/W	Reserved These bits are always read as 0. The write value should always be 0.

Bit	Bit Name	Initial Value	R/W	Description
21, 20	MSTP[21:20]	All 0	R/W	Module Stop Bit [21:20] Specify that the clock supply to the module of the corresponding bit is stopped [21]: SSI channel 1, [20]: SSI channel 0 0: The corresponding module operates 1: The clock to the corresponding module is stopped
19, 18	—	All 0	R/W	Reserved These bits are always read as 0. The write value should always be 0.
17, 16	MSTP[17:16]	All 0	R/W	Module Stop Bit [17:16] Specify that the clock supply to the module of the corresponding bit is stopped [17]: HAC channel 1, [16]: HAC channel 0 0: The corresponding module operates 1: The clock to the corresponding module is stopped
15, 14	—	All 0	R/W	Reserved These bits are always read as 0. The write value should always be 0.
13, 12	MSTP[13:12]	All 0	R/W	Module Stop Bit [13:12] Specify that the clock supply to the module of the corresponding bit is stopped [13]: MMCIF, [12]: FLCTL 0: The corresponding module operates 1: The clock to the corresponding module is stopped
11, 10	—	All 0	R/W	Reserved These bits are always read as 0. The write value should always be 0.

Bit	Bit Name	Initial Value	R/W	Description
9, 8	MSTP[9:8]	All 0	R/W	<p>Module Stop Bit [9:8]</p> <p>Specify that the clock supply to the module of the corresponding bit is stopped</p> <p>[9]: TMU channels 3 to 5 [8]: TMU channels 2 to 0</p> <p>0: The corresponding module operates 1: The clock to the corresponding module is stopped</p>
7 to 4	—	All 0	R/W	<p>Reserved</p> <p>These bits are always read as 0. The write value should always be 0.</p>
3, 2	MSTP[3:2]	All 0	R/W	<p>Module Stop Bit [3:2]</p> <p>Specify that the clock supply to the module of the corresponding bit is stopped</p> <p>[3]: SIOF, [2]: HSPI</p> <p>0: The corresponding module operates 1: The clock to the corresponding module is stopped</p>
1, 0	—	All 0	R/W	<p>Reserved</p> <p>These bits are always read as 0. The write value should always be 0.</p>

17.3.3 Standby Control Register 1 (MSTPCR1)

MSTPCR1 is a 32-bit readable/writable register that each module of H-UDI, UBC, DMAC, and GDTA operates or is stopped. MSTPCR1 can be accessed only in longword.

This register is initialized by a power-on reset by the $\overline{\text{PRESET}}$ pin or power-on reset by WDT overflow, or H-UDI reset.

Bit:	31	30	29	28	27	26	25	24	23	22	21	20	19	18	17	16
	—	—	—	—	—	—	—	—	—	—	—	—	MSTP119	—	MSTP117	—
Initial value:	0	0	0	0	0	0	0	0	0	0	0	0	0	0	0	0
R/W:	R/W	R/W	R/W	R/W	R/W	R/W	R/W	R/W	R/W	R/W	R/W	R/W	R/W	R/W	R/W	R/W
Bit:	15	14	13	12	11	10	9	8	7	6	5	4	3	2	1	0
	—	—	—	—	—	—	—	—	—	—	MSTP[105:104]	—	—	—	—	MSTP100
Initial value:	0	0	0	0	0	0	0	0	0	0	0	0	0	0	0	0
R/W:	R/W	R/W	R/W	R/W	R/W	R/W	R/W	R/W	R/W	R/W	R/W	R/W	R/W	R/W	R/W	R/W

Bit	Bit Name	Initial Value	R/W	Description
31 to 20	—	All 0	R/W	Reserved These bits are always read as 0. The write value should always be 0.
19	MSTP119	0	R/W	Module Stop Bit 119 Specifies that the clock supply to the H-UDI module is stopped 0: H-UDI operates 1: H-UDI stopped
18	—	0	R/W	Reserved These bits are always read as 0. The write value should always be 0.
17	MSTP117	0	R/W	Module Stop Bit 117 Specifies that the clock supply to the UBC module is stopped 0: UBC operates 1: UBC stopped

Bit	Bit Name	Initial Value	R/W	Description
16 to 6	—	All 0	R/W	Reserved These bits are always read as 0. The write value should always be 0.
5, 4	MSTP [105:104]	All 0	R/W	Module Stop Bit [105:104] Specifies that the clock supply to the DMAC channels of the corresponding bit is stopped MSTP105: DMAC channels 11 to 6, MSTP104: DMAC channels 5 to 0 0: DMAC operates 1: DMAC stopped
3 to 1	—	All 0	R/W	Reserved These bits are always read as 0. The write value should always be 0.
0	MSTP100	0	R/W	Module Stop Bit 100 Specifies that the clock supply to the GDTA module is stopped To stop the clock, set this bit to 1 after confirming that the operation of GDTA is completed. 0: GDTA operates 1: GDTA stopped*

Note: * The GDTA should be placed in module standby state after confirming that the operation of the GDTA is completed. For the procedure, see section 20.7.1, Regarding Module Stoppage.

17.3.4 Standby Display Register (MSTPMR)

MSTPMR is a 32-bit readable register that indicates whether the PCIC/display unit (DU)/DMAC/GDTA modules are in the module standby state. MSTPMR can be accessed only in longword.

This register is initialized by a power-on reset by the $\overline{\text{PRESET}}$ pin, power-on reset by WDT overflow, or H-UDI reset.

Bit:	31	30	29	28	27	26	25	24	23	22	21	20	19	18	17	16
	—	—	—	—	—	—	—	—	—	—	MSTP MPCI	MSTP MDU	—	—	—	—
Initial value:	0	0	0	0	0	0	0	0	0	0	x	x	0	0	0	0
R/W:	R	R	R	R	R	R	R	R	R	R	R	R	R	R	R	R
Bit:	15	14	13	12	11	10	9	8	7	6	5	4	3	2	1	0
	—	—	—	—	—	—	—	—	—	—	MSTPS 105	MSTPS 104	—	—	—	MSTPS 100
Initial value:	0	0	0	0	0	0	0	0	0	0	0	0	0	0	0	0
R/W:	R	R	R	R	R	R	R	R	R	R	R	R	R	R	R	R

Bit	Bit Name	Initial Value	R/W	Description
31 to 22	—	All 0	R	Reserved These bits are always read as 0. The write value should always be 0.
21	MSTPMPCI	x	R	Module Stop Display Bit PCIC Indicates the state of clock supply to the PCIC module When a high level signal is input to the MODE12 pin, the clock supply to the PCIC is stopped 0: PCIC operates (MODE12 pin: Low level) 1: PCIC stopped (MODE12 pin: High level)
20	MSTPMDU	x	R	Module Stop Display Bit DU Indicates the state of clock supply to the DU module. When a low level signal is input to the MODE12 or MODE11 pin, the clock supply to the DU is stopped. 0: DU operates (MODE[12:11] pin: All High level) 1: DU stopped (MODE[12:11] pin: Not all High level)
19 to 6	—	All 0	R	Reserved These bits are always read as 0. The write value should always be 0.

Bit	Bit Name	Initial Value	R/W	Description
5, 4	MSTPS105 MSTPS104	All 0	R	Module Stop Display Bit 105, 104 Indicates the state of clock supply to the DMAC channels of the corresponding bit MSTPS105: DMAC channels 11 to 6 MSTPS104: DMAC channels 5 to 0 0: The DMAC channels operate 1: The DMAC channels stopped
3 to 1	—	All 0	R	Reserved These bits are always read as 0. The write value should always be 0.
0	MSTP100	0	R	Module Stop Display Bit 100 Indicates the state of clock supply to the GDTA module 0: GDTA operates 1: GDTA stopped

17.4 Sleep Mode

17.4.1 Transition to Sleep Mode

When the SLEEP instruction is executed, the state is changed from the program execution state to sleep mode. Although the CPU is stopped after the instruction is executed, the contents of the CPU register are retained.

On-chip modules other than the CPU continue to operate. The clock is output to the CLKOUT pin.

In sleep mode, a high level signal is output to the STATUS1 pin, and a low level signal is output to the STATUS0 pin.

Complete the operation of DU before transition to sleep mode. Confirm that the operation of GDTA is completed. The operation is not guaranteed if transition to sleep mode is performed while the module is operating.

17.4.2 Releasing Sleep Mode

Sleep mode is released by interrupts (NMI, $\overline{\text{IRQ/IRL}}[7:0]$, and on-chip module) and reset.

In sleep mode, interrupts are accepted even if the BL bit in the SR register is 1. If needed, put SPC, SSR, etc to stack before executing the SLEEP instruction.

(1) Release by Interrupts

When the NMI, $\overline{\text{IRQ/IRL}}[7:0]$, and on-chip module interrupts are generated, sleep mode is released and exception handling of interrupts are performed. The code corresponding to the interrupt sources is set to the INTEVT register.

For details of the timing of the changes in the STATUS pin, see section 17.7.2, Releasing Sleep Mode.

(2) Release by a Reset

Sleep mode is released by a power-on reset by the $\overline{\text{PRESET}}$ pin, power-on reset by WDT overflow, H-UDI reset, and manual reset. For details of the timing of the changes in the STATUS pin, see section 16.5, Status Pin Change Timing during Reset.

17.5 Deep Sleep Mode

17.5.1 Transition to Deep Sleep Mode

If a SLEEP instruction is executed when the DSLP bit in SLPCR is set to 1, the chip switches from the program execution state to deep sleep mode. The procedure for a transition to deep sleep mode is as follows:

1. Make each modules stop by setting standby control registers MSTPCR0 and MSTPCR1 except the H-UDI module, i.e. write H'3F33 330C to MSTPCR0 and write H'0002 0031 to MSTPCR1. For the note of the transition to module standby mode, see section 17.6.1, Transition to Module Standby Mode and each module sections.

2. Execute a SLEEP instruction when the DSLP bit in SLPCR.

After execution of the SLEEP instruction, the CPU halts but its register contents are retained. The DU is stopped* as well as the modules that were stopped by the module standby function. Except for the DMAC, peripheral modules continue to operate. The clock continues to be output to the CKIO pin, but all bus access (including auto refresh) stops. When using memory that requires refreshing, select self-refreshing mode prior to making the transition to deep sleep mode.

Note: * For the transition to deep sleep mode of the DU, PCIC, LBSC and DBSC, see notes of the transition to deep sleep mode in each module sections.

In deep sleep mode, a high-level signal is output at the STATUS1 pin, and a low-level signal at the STATUS0 pin.

When using the PCIC, it is prohibited to make a transition to deep sleep mode. If transition to deep sleep mode, the operation of the PCIC is not guaranteed.

If making a transition to deep sleep mode while each modules are in operation, the results of those operation cannot be guaranteed.

17.5.2 Releasing Deep Sleep Mode

Deep sleep mode is released by means of an interrupt (NMI, IRL, IRQ, GPIO, WDT interval timer, or H-UDI) or a reset.

In deep sleep mode, an interrupt request is accepted even if the BL bit in SR is set to 1. The SPC, SSR and other related contents should be saved before execute a SLEEP instruction if necessary.

(1) Release by Interrupt

When an NMI, IRL, IRQ, GPIO, or WDT interval timer interrupt is generated, deep sleep mode is released and the interrupt exception handling is executed. The code corresponding to the interrupt source is set in INTEVT. For details of the timing of the changes in the STATUS pin, that is similar to sleep mode, see section 17.7.2, Releasing Sleep Mode.

(2) Release by Reset

Deep sleep mode is released by means of a power-on via the PRESET pin or a WDT overflow, H-UDI reset, or a manual reset by a WDT overflow. For details of the timing of the changes in the STATUS pin, that is similar to sleep mode, see section 16.5, Status Pin Change Timing during Reset.

17.6 Module Standby Functions

This LSI supports the module standby state, where the clock supplied to on-chip modules is stopped.

17.6.1 Transition to Module Standby Mode

By setting the MSTP bits in MSPTCR, the clock supply can be stopped to the corresponding module*.

In each module that is in the module standby state, the state right before transition to module standby state is retained. After register setting, the state right before stop is retained. The state of the external pin is retained. When the module is released from the module standby state, the module resumes operation.

SSI, HSPI, HAC, and MMCIF are initialized by a manual reset even if they are in the module standby state. Confirm that the operation of GDTA is completed before putting GDTA and DMAC in the module standby state.

Note: * For details of the description of the individual MSTP bits in the standby control registers, see section 17.3.2, Standby Control Register 0 (MSTPCR0) and 17.3.3, Standby Control Register 1 (MSTPCR1).

The MSTP bits should be set to 1 while the module is in the idle state after completing its operation and there is no possible activation sources from external pins or other modules.

17.6.2 Releasing Module Standby Functions

The module standby functions are released by clearing the MSTP bits in MSTPCR0 to 0 or a power-on reset.

17.7 Timing of the Changes on the STATUS Pins

17.7.1 Reset

For details, see section 16.5, Status Pin Change Timing during Reset.

17.7.2 Releasing Sleep Mode

(1) When Sleep Mode Is Released by an Interrupt

Figure 17.1 shows the timing of the changes in the STATUS pin.

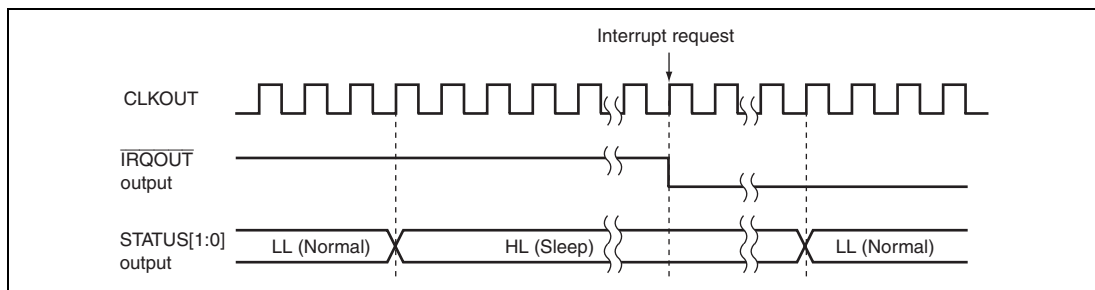


Figure 17.1 Status Pins Output when an Interrupt Occurs in Sleep Mode

17.8 DDR-SDRAM Power Supply Backup

For details, see section 12.5.10, DDR2-SDRAM Power Supply Backup Function.

Section 18 Timer Unit (TMU)

This LSI includes an on-chip 32-bit timer unit (TMU), which has six channels (channels 0 to 5).

18.1 Features

The TMU has the following features.

- Auto-reload type 32-bit down-counter provided for each channel
- Input capture function provided only for channel 2
- Selection of rising edge or falling edge as external clock input edge when external clock is selected or input capture function is used: Channels 0 to 2
- 32-bit timer constant register for auto-reload use, readable/writable at any time, and 32-bit down-counter provided for each channel
- Selection of six counter input clocks: Channels 0 to 2
External clock (TCLK) and five internal clocks (Pck/4, Pck/16, Pck/64, Pck/256, and Pck/1024) obtained by dividing the peripheral clock (Pck is the peripheral clock).
- Selection of five counter input clocks: Channels 3 to 5
Five internal clocks (Pck/4, Pck/16, Pck/64, Pck/256, and Pck/1024) (Pck is the peripheral clock).
- Two interrupt sources
One underflow source (each channel) and one input capture source (channel 2).

Figure 18.1 shows a block diagram of the TMU.

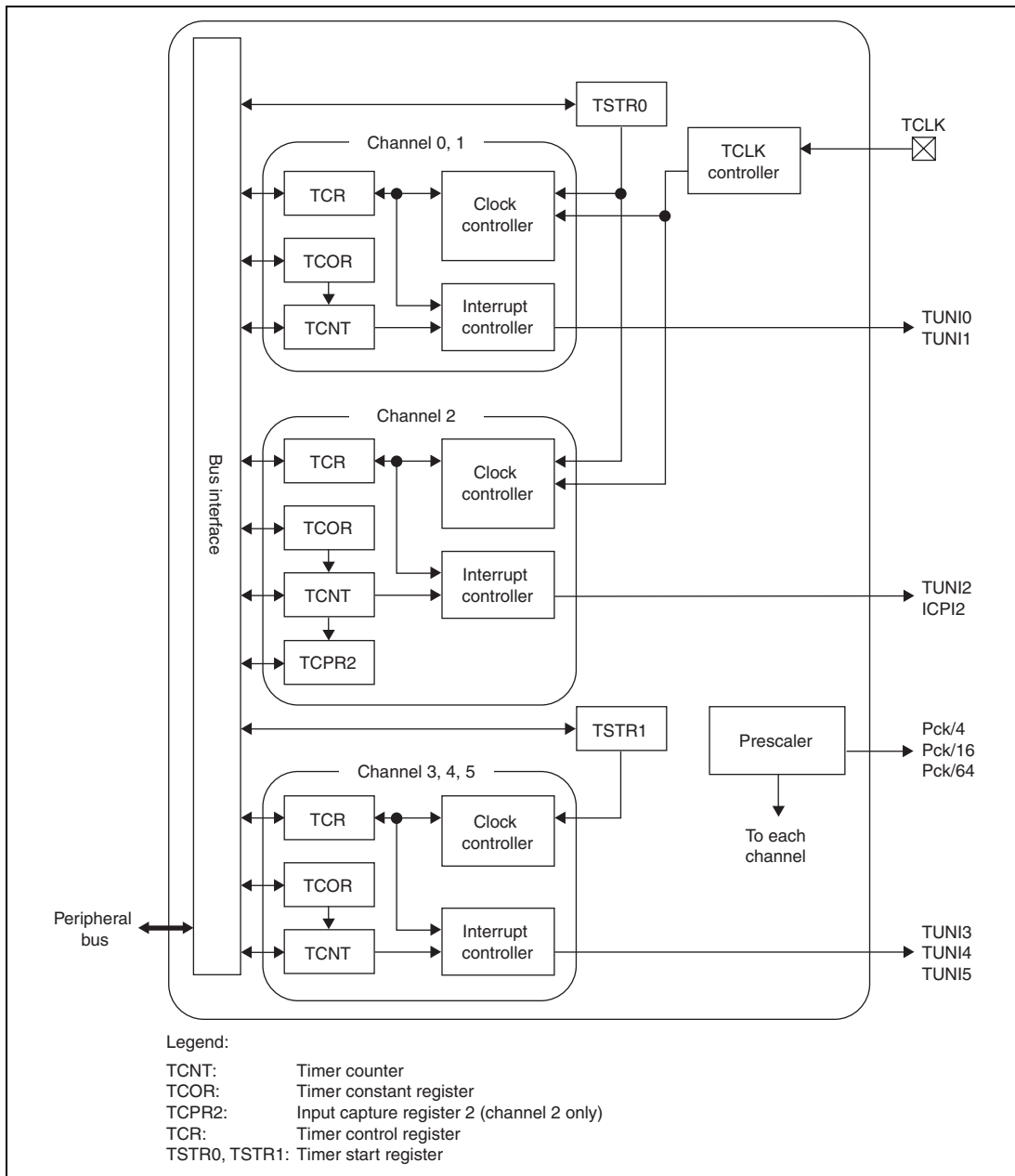


Figure 18.1 Block Diagram of TMU

18.2 Input/Output Pins

Table 18.1 shows the TMU pin configuration.

Table 18.1 Pin Configuration

Pin Name	Abbrev.	I/O	Description
Clock input	TCLK	Input	External clock input pin for channels 0, 1 and 2 /input capture control input pin for channel 2

18.3 Register Descriptions

Tables 18.2 and 18.3 show the TMU register configuration.

Table 18.2 Register Configuration (1)

Channel	Register Name	Abbrev.	R/W	P4 Address	Area 7 Address	Size	Sync Clock
Common to 0, 1, 2	Timer start register 0	TSTR0	R/W	H'FFD8 0004	H'1FD8 0004	8	Pck
0	Timer constant register 0	TCOR0	R/W	H'FFD8 0008	H'1FD8 0008	32	Pck
	Timer counter 0	TCNT0	R/W	H'FFD8 000C	H'1FD8 000C	32	Pck
	Timer control register 0	TCR0	R/W	H'FFD8 0010	H'1FD8 0010	16	Pck
1	Timer constant register 1	TCOR1	R/W	H'FFD8 0014	H'1FD8 0014	32	Pck
	Timer counter 1	TCNT1	R/W	H'FFD8 0018	H'1FD8 0018	32	Pck
	Timer control register 1	TCR1	R/W	H'FFD8 001C	H'1FD8 001C	16	Pck
2	Timer constant register 2	TCOR2	R/W	H'FFD8 0020	H'1FD8 0020	32	Pck
	Timer counter 2	TCNT2	R/W	H'FFD8 0024	H'1FD8 0024	32	Pck
	Timer control register 2	TCR2	R/W	H'FFD8 0028	H'1FD8 0028	16	Pck
	Input capture register 2	TCPR2	R	H'FFD8 002C	H'1FD8 002C	32	Pck
Common to 3, 4, 5	Timer start register 1	TSTR1	R/W	H'FFDC 0004	H'1FDC 0004	8	Pck
3	Timer constant register 3	TCOR3	R/W	H'FFDC 0008	H'1FDC 0008	32	Pck
	Timer counter 3	TCNT3	R/W	H'FFDC 000C	H'1FDC 000C	32	Pck
	Timer control register 3	TCR3	R/W	H'FFDC 0010	H'1FDC 0010	16	Pck
4	Timer constant register 4	TCOR4	R/W	H'FFDC 0014	H'1FDC 0014	32	Pck
	Timer counter 4	TCNT4	R/W	H'FFDC 0018	H'1FDC 0018	32	Pck
	Timer control register 4	TCR4	R/W	H'FFDC 001C	H'1FDC 001C	16	Pck
5	Timer constant register 5	TCOR5	R/W	H'FFDC 0020	H'1FDC 0020	32	Pck
	Timer counter 5	TCNT5	R/W	H'FFDC 0024	H'1FDC 0024	32	Pck
	Timer control register 5	TCR5	R/W	H'FFDC 0028	H'1FDC 0028	16	Pck

Table 18.3 Register Configuration (2)

Channel	Register Name	Abbrev.	Power-on Reset by PRESET Pin/ WDT/H-UDI	Manual Reset by WDT/ Multiple Exceptions	Sleep by SLEEP Instruction	Module Standby
Common to 0, 1, 2	Timer start register 0	TSTR0	H'00	H'00	Retained	Retained
0	Timer constant register 0	TCOR0	H'FFFF FFFF	H'FFFF FFFF	Retained	Retained
	Timer counter 0	TCNT0	H'FFFF FFFF	H'FFFF FFFF	Retained	Retained
	Timer control register 0	TCR0	H'0000	H'0000	Retained	Retained
1	Timer constant register 1	TCOR1	H'FFFF FFFF	H'FFFF FFFF	Retained	Retained
	Timer counter 1	TCNT1	H'FFFF FFFF	H'FFFF FFFF	Retained	Retained
	Timer control register 1	TCR1	H'0000	H'0000	Retained	Retained
2	Timer constant register 2	TCOR2	H'FFFF FFFF	H'FFFF FFFF	Retained	Retained
	Timer counter 2	TCNT2	H'FFFF FFFF	H'FFFF FFFF	Retained	Retained
	Timer control register 2	TCR2	H'0000	H'0000	Retained	Retained
	Input capture register 2	TCPR2	Retained	Retained	Retained	Retained
Common to 3, 4, 5	Timer start register 1	TSTR1	H'00	H'00	Retained	Retained
3	Timer constant register3	TCOR3	H'FFFF FFFF	H'FFFF FFFF	Retained	Retained
	Timer counter 3	TCNT3	H'FFFF FFFF	H'FFFF FFFF	Retained	Retained
	Timer control register 3	TCR3	H'0000	H'0000	Retained	Retained
4	Timer constant register 4	TCOR4	H'FFFF FFFF	H'FFFF FFFF	Retained	Retained
	Timer counter 4	TCNT4	H'FFFF FFFF	H'FFFF FFFF	Retained	Retained
	Timer control register 4	TCR4	H'0000	H'0000	Retained	Retained
5	Timer constant register 5	TCOR5	H'FFFF FFFF	H'FFFF FFFF	Retained	Retained
	Timer counter 5	TCNT5	H'FFFF FFFF	H'FFFF FFFF	Retained	Retained
	Timer control register 5	TCR5	H'0000	H'0000	Retained	Retained

18.3.1 Timer Start Registers (TSTRn) (n = 0, 1)

The TSTR registers are 8-bit readable/writable registers that specifies whether TCNT of the corresponding channel is operated or stopped.

- TSTR0

Bit:	7	6	5	4	3	2	1	0
	—	—	—	—	—	STR2	STR1	STR0
Initial value:	0	0	0	0	0	0	0	0
R/W:	R	R	R	R	R	R/W	R/W	R/W

Bit	Bit Name	Initial Value	R/W	Description
7 to 3	—	All 0	R	Reserved These bits are always read as 0. The write value should always be 0.
2	STR2	0	R/W	Counter Start 2 Specifies whether TCNT2 is operated or stopped. 0: TCNT2 count operation is stopped 1: TCNT2 performs count operation
1	STR1	0	R/W	Counter Start 1 Specifies whether TCNT1 is operated or stopped. 0: TCNT1 count operation is stopped 1: TCNT1 performs count operation
0	STR0	0	R/W	Counter Start 0 Specifies whether TCNT0 is operated or stopped. 0: TCNT0 count operation is stopped 1: TCNT0 performs count operation

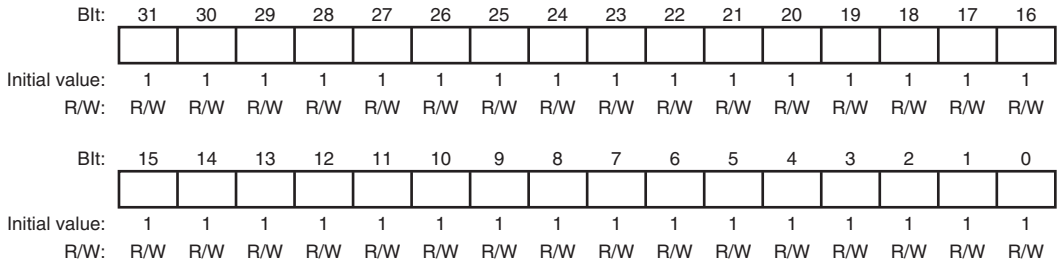
- TSTR1

Bit:	7	6	5	4	3	2	1	0
	—	—	—	—	—	STR5	STR4	STR3
Initial value:	0	0	0	0	0	0	0	0
R/W:	R	R	R	R	R	R/W	R/W	R/W

Bit	Bit Name	Initial Value	R/W	Description
7 to 3	—	All 0	R	Reserved These bits are always read as 0. The write value should always be 0.
2	STR5	0	R/W	Counter Start 5 Specifies whether TCNT5 is operated or stopped. 0: TCNT5 count operation is stopped 1: TCNT5 performs count operation
1	STR4	0	R/W	Counter Start 4 Specifies whether TCNT4 is operated or stopped. 0: TCNT4 count operation is stopped 1: TCNT4 performs count operation
0	STR3	0	R/W	Counter Start 3 Specifies whether TCNT3 is operated or stopped. 0: TCNT3 count operation is stopped 1: TCNT3 performs count operation

18.3.2 Timer Constant Registers (TCORn) (n = 0 to 5)

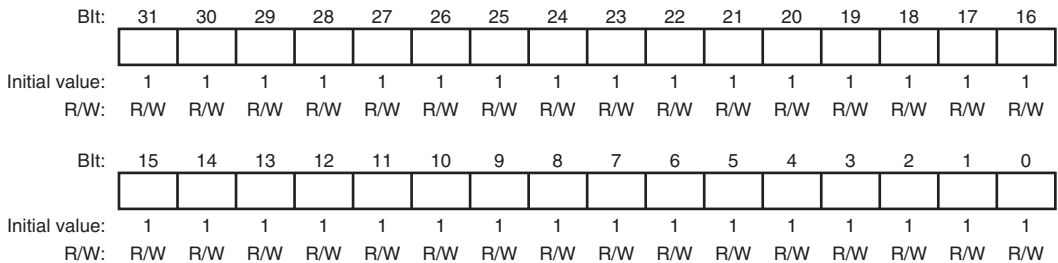
The TCOR registers are 32-bit readable/writable registers. When a TCNT counter underflows while counting down, the TCOR value is set in that TCNT, which continues counting down from the set value.



18.3.3 Timer Counters (TCNTn) (n = 0 to 5)

The TCNT registers are 32-bit readable/writable registers. Each TCNT counts down on the input clock selected by the TPSC2 to TPSC0 bits in TCR.

When a TCNT counter underflows while counting down, the UNF flag is set in TCR of the corresponding channel. At the same time, the TCOR value is set in TCNT, and the count-down operation continues from the set value.



18.3.4 Timer Control Registers (TCRn) (n = 0 to 5)

The TCR registers are 16-bit readable/writable registers. Each TCR selects the count clock, specifies the edge when an external clock is selected, and controls interrupt generation when the flag indicating TCNT underflow is set to 1. TCR2 is also used for input capture control and control of interrupt generation in the event of input capture.

- TCR0, TCR1, TCR3, TCR4 and TCR5

Bit:	15	14	13	12	11	10	9	8	7	6	5	4	3	2	1	0
	—	—	—	—	—	—	—	UNF	—	—	UNIE	CKEG1	CKEG0	TPSC2	TPSC1	TPSC0
Initial value:	0	0	0	0	0	0	0	0	0	0	0	0	0	0	0	0
R/W:	R	R	R	R	R	R	R	R/W	R	R	R/W	R/W	R/W	R/W	R/W	R/W

- TCR2

Bit:	15	14	13	12	11	10	9	8	7	6	5	4	3	2	1	0
	—	—	—	—	—	—	ICPF	UNF	ICPE1	ICPE0	UNIE	CKEG1	CKEG0	TPSC2	TPSC1	TPSC0
Initial value:	0	0	0	0	0	0	0	0	0	0	0	0	0	0	0	0
R/W:	R	R	R	R	R	R	R/W	R/W	R/W	R/W	R/W	R/W	R/W	R/W	R/W	R/W

Bit	Bit Name	Initial Value	R/W	Description
15 to 10	—	All 0	R	Reserved These bits are always read as 0. The write value should always be 0.
9	ICPF* ¹	0	R/W	Input Capture Interrupt Flag Status flag, provided in channel 2 only, which indicates the occurrence of input capture. 0: Input capture has not occurred [Clearing condition] When 0 is written to ICPF 1: Input capture has occurred [Setting condition] When input capture occurs* ²
8	UNF	0	R/W	Underflow Flag Status flag that indicates the occurrence of TCNT underflow. 0: TCNT has not underflowed [Clearing condition] When 0 is written to UNF 1: TCNT has underflowed [Setting condition] When TCNT underflows* ²

Bit	Bit Name	Initial Value	R/W	Description
7	ICPE1* ¹	0	R/W	Input Capture Control
6	ICPE0* ¹	0	R/W	<p>These bits, provided in channel 2 only, specify whether the input capture function is used, and control enabling or disabling of interrupt generation when the function is used.</p> <p>The CKEG bits specify whether the rising edge or falling edge of the TCLK pin is used to set the TCNT2 value in TCPR2.</p> <p>The TCNT2 value is set in TCPR2 only when the ICPF bit in TCR2 is 0. When the ICPF bit is 1, TCPR2 is not set in the event of input capture.</p> <p>00: Input capture function is not used. 01: Reserved (setting prohibited) 10: Input capture function is used, but interrupt due to input capture (TICPI2) is not enabled. 11: Input capture function is used, and interrupt due to input capture (TICPI2) is enabled.</p>
5	UNIE	0	R/W	<p>Underflow Interrupt Control</p> <p>Controls enabling or disabling of interrupt generation when the UNF status flag is set to 1, indicating TCNT underflow.</p> <p>0: Interrupt due to underflow (TUNI) is disabled 1: Interrupt due to underflow (TUNI) is enabled</p>
4	CKEG1	0	R/W	Clock Edge 1 and 0
3	CKEG0	0	R/W	<p>These bits select the external clock input edge when an external clock that is input from the TCLK pin is selected or the input capture function is used.</p> <p>00: Count/input capture register set on rising edge 01: Count/input capture register set on falling edge 1X: Count/input capture register set on both rising and falling edges</p>

Bit	Bit Name	Initial Value	R/W	Description
2	TPSC2	0	R/W	Timer Prescaler 2 to 0
1	TPSC1	0	R/W	These bits select the TCNT count clock.
0	TPSC0	0	R/W	000: Counts on Pck/4 001: Counts on Pck/16 010: Counts on Pck/64 011: Counts on Pck/256 100: Counts on Pck/1024 101, 110: Setting prohibited 111: Counts on external clock (TCLK) * ³

Legend:

X: Don't care

- Notes:
1. Reserved bit in channels 0 to 5 (initial value is 0, and can only be read).
 2. Writing 1 does not change the value; the previous value is retained.
 3. Do not set in channels 3, 4, and 5.

18.3.5 Input Capture Register 2 (TCPR2)

TCPR2 is a 32-bit read-only register for use with the input capture function, provided only in channel 2. The input capture function is controlled by means of the ICPE and CKEG bits in TCR2. When input capture occurs, the TCNT2 value is copied into TCPR2. The value is set in TCPR2 only when the ICPF bit in TCR2 is 0.

Bit:	31	30	29	28	27	26	25	24	23	22	21	20	19	18	17	16
	<input type="checkbox"/>	<input type="checkbox"/>	<input type="checkbox"/>	<input type="checkbox"/>	<input type="checkbox"/>	<input type="checkbox"/>	<input type="checkbox"/>	<input type="checkbox"/>	<input type="checkbox"/>	<input type="checkbox"/>	<input type="checkbox"/>	<input type="checkbox"/>	<input type="checkbox"/>	<input type="checkbox"/>	<input type="checkbox"/>	<input type="checkbox"/>
Initial value:	—	—	—	—	—	—	—	—	—	—	—	—	—	—	—	—
R/W:	R	R	R	R	R	R	R	R	R	R	R	R	R	R	R	R
Bit:	15	14	13	12	11	10	9	8	7	6	5	4	3	2	1	0
	<input type="checkbox"/>	<input type="checkbox"/>	<input type="checkbox"/>	<input type="checkbox"/>	<input type="checkbox"/>	<input type="checkbox"/>	<input type="checkbox"/>	<input type="checkbox"/>	<input type="checkbox"/>	<input type="checkbox"/>	<input type="checkbox"/>	<input type="checkbox"/>	<input type="checkbox"/>	<input type="checkbox"/>	<input type="checkbox"/>	<input type="checkbox"/>
Initial value:	—	—	—	—	—	—	—	—	—	—	—	—	—	—	—	—
R/W:	R	R	R	R	R	R	R	R	R	R	R	R	R	R	R	R

18.4 Operation

Each channel has a 32-bit timer counter (TCNT) and a 32-bit timer constant register (TCOR). Each TCNT performs count-down operation. The channels have an auto-reload function that allows cyclic count operations, and can also perform external event counting. Channel 2 also has an input capture function.

18.4.1 Counter Operation

When one of bits STR0 to STR2 in TSTR is set to 1, the TCNT for the corresponding channel starts counting. When TCNT underflows, the UNF flag in TCR is set. If the UNIE bit in TCR is set to 1 at this time, an interrupt request is sent to the CPU. At the same time, the value is copied from TCOR into TCNT, and the count-down continues (auto-reload function).

(1) Example of Counter Operation Setting Procedure

Figure 18.2 shows an example of the counter operation setting procedure.

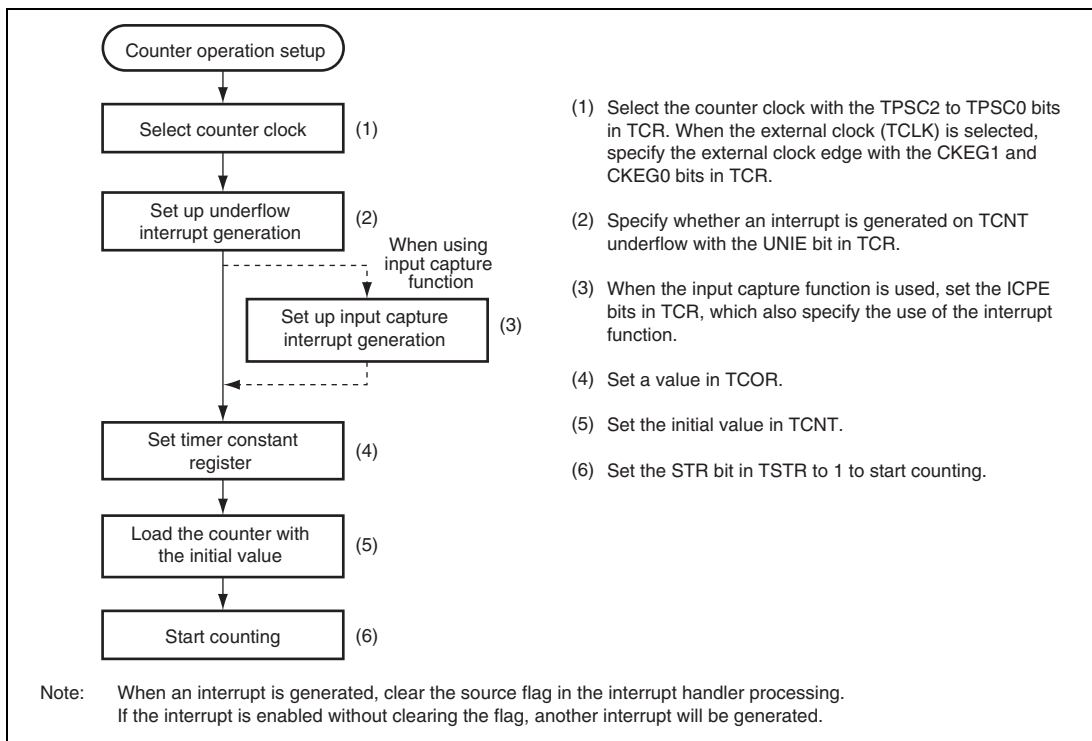


Figure 18.2 Example of Count Operation Setting Procedure

(2) Auto-Reload Count Operation

Figure 18.3 shows the TCNT auto-reload operation.

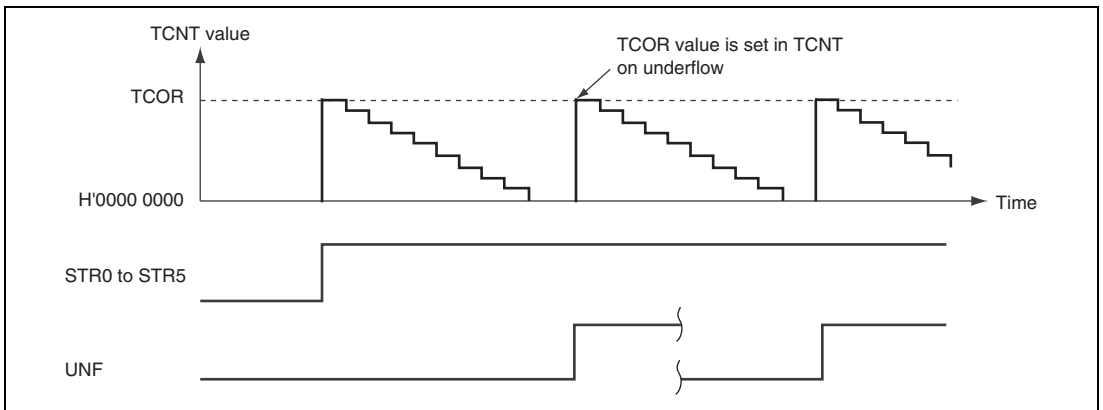


Figure 18.3 TCNT Auto-Reload Operation

(3) TCNT Count Timing

- Operating on internal clock

Any of five internal count clocks ($Pck/4$, $Pck/16$, $Pck/64$, $Pck/256$, or $Pck/1024$) scaled from the peripheral clock can be selected as the count clock by means of the TPSC2 to TPSC0 bits in TCR.

Figure 18.4 shows the timing in this case.

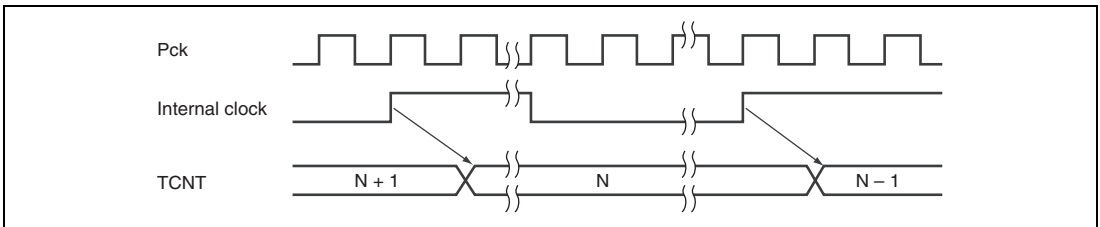


Figure 18.4 Count Timing when Operating on Internal Clock

- Operating on external clock

In channels 0, 1, and 2, the external clock input pin (TCLK) input can be selected as the timer clock by means of the TPSC2 to TPSC0 bits in TCR. The detected edge (rising, falling, or both edges) can be selected with the CKEG1 and CKEG0 bits in TCR.

Figure 18.5 shows the timing for both-edge detection.

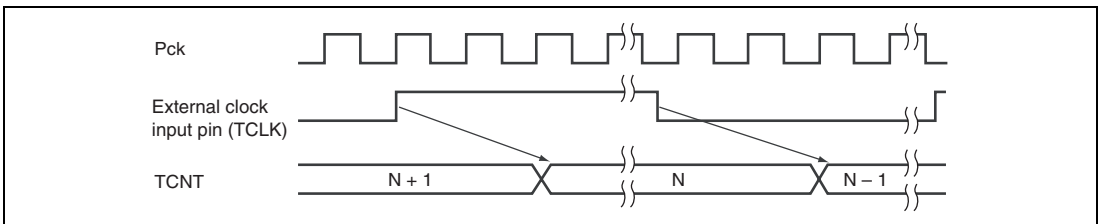


Figure 18.5 Count Timing when Operating on External Clock Input

18.4.2 Input Capture Function

Channel 2 has an input capture function.

The procedure for using the input capture function is as follows:

1. Use bits TPSC2 to TPSC0 in TCR2 to set an internal clock as the timer operating clock.
2. Use bits IPCE1 and IPCE0 in TCR2 to specify use of the input capture function, and whether interrupts are to be generated when this function is used.
3. Use bits CKEG1 and CKEG0 in TCR2 to specify whether the rising or falling edge of the TCLK pin is to be used to set the TCNT value in TCPR2.

When input capture occurs, the TCNT2 value is set in TCPR2 only when the ICPF bit in TCR2 is 0. A new DMAC transfer request is not generated until processing of the previous request is finished.

Figure 18.7 shows the operation timing when the input capture function is used (with TCLK rising edge detection).

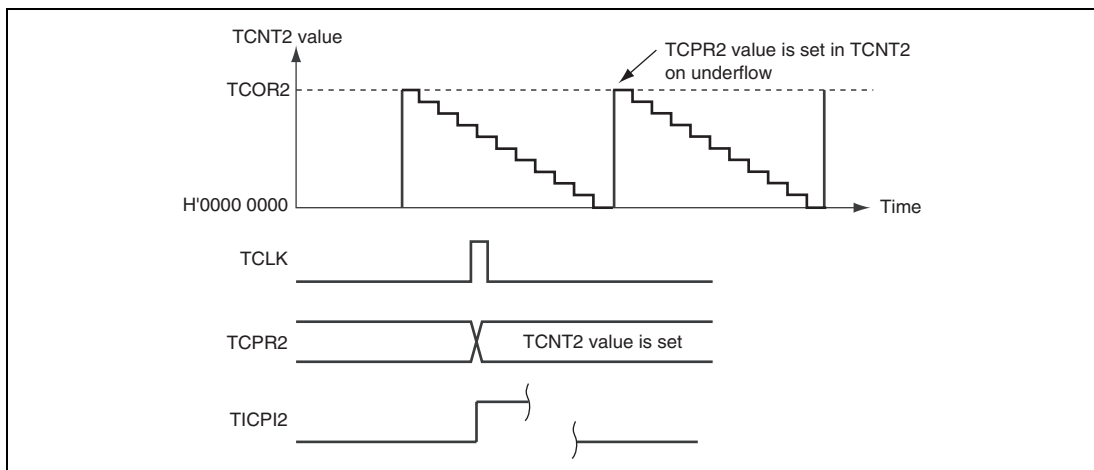


Figure 18.6 Operation Timing when Using Input Capture Function

18.5 Interrupts

There are seven TMU interrupt sources: underflow interrupts and the input capture interrupt when the input capture function is used. Underflow interrupts are generated on each of the channels, and input capture interrupts on channel 2 only.

An underflow interrupt request is generated (for each channel) when both the UNF bit and the interrupt enable bit (UNIE) for that channel are set to 1.

When the input capture function is used and an input capture request is generated, an interrupt is requested if the ICPF bit in TCR2 is 1 and the input capture control bits (ICPE1 and ICPE0) in TCR2 are both set to 1.

The TMU interrupt sources are summarized in table 18.4.

Table 18.4 TMU Interrupt Sources

Channel	Interrupt Source	Description
0	TUNI0	Underflow interrupt 0
1	TUNI1	Underflow interrupt 1
2	TUNI2	Underflow interrupt 2
	TICPI2	Input capture interrupt 2
3	TUNI3	Underflow interrupt 3
4	TUNI4	Underflow interrupt 4
5	TUNI5	Underflow interrupt 5

18.6 Usage Notes

18.6.1 Register Writes

When writing to a TMU register, timer count operation must be stopped by clearing the start bit (STR5 to STR0) for the relevant channel in TSTR.

Note that TSTR can be written to, and the UNF and ICPF bits in TCR can be cleared while the count is in progress. When the flags (UNF and ICPF) are cleared while the count is in progress, make sure not to change the values of bits other than those being cleared.

18.6.2 Reading from TCNT

Reading from TCNT is performed synchronously with the timer count operation. Note that when the timer count operation is performed simultaneously with reading from a register, the synchronous processing causes the TCNT value before the count-down operation to be read as the TCNT value.

18.6.3 External Clock Frequency

Ensure that the external clock (TCLK) input frequency for channels 0, 1 and 2 does not exceed $Pck/4$.

Section 19 Display Unit (DU)

19.1 Features

The display unit (DU) has the following features.

Plane: The display surfaces normally called the foreground, background, and cursor, are called planes in this section. Parameters for each plane can be set independently through the settings of an internal register. The internal register settings can also be used to set the display priority order. Combined display of up to six planes is possible (however, the plane size is 480×234), when the plane size is WVGA (854×480), up to four planes can be combined, when the plane size is SVGA: 800×600 , up to three planes can be combined.

- Display size
- Display position
- Display data format (8 bits/pixel, 16 bits/pixel, ARGB (1555), YC)
- Plane superpositioning
- Scrolling
- Wrap-around
- Blinking
- Buffer control

The internal register settings can be used to select two different control modes.

- Manual display change mode (double buffer)
- Auto display change mode (double buffer)

Synchronization Method: Internal register settings can be used to select any of three synchronization modes for the display output timing.

- Master mode (internal sync mode)
- TV sync mode (external sync mode)
- Sync method switching mode

CRT Scan Mode (CRT Scan Method): Internal register settings can be used to select from among three scan modes.

- Non-interlaced mode
- Interlaced sync mode
- Interlaced sync & video mode

YC→RGB Colorspace Conversion Functions: Image data stored in YC format can be converted into the RGB colorspace and displayed in a window.

(However, when multiple planes are specified for YC → RGB conversion, the YC → RGB conversion can be performed only for pixels in the uppermost plane.)

Color Palette: Four internal color palette planes are provided, capable of simultaneously displaying 256 colors out of a possible 260,000 colors. When 8 bits/pixel data is selected in the plane display format, one among the four planes can be selected.

Eight-bit blend ratios are provided for every 256 colors.

Register Access Control: Internal control registers are provided, and register access is possible via the peripheral bus interface. The access size is fixed at 32 bits.

Figure 19.1 shows a block diagram of the display unit (DU).

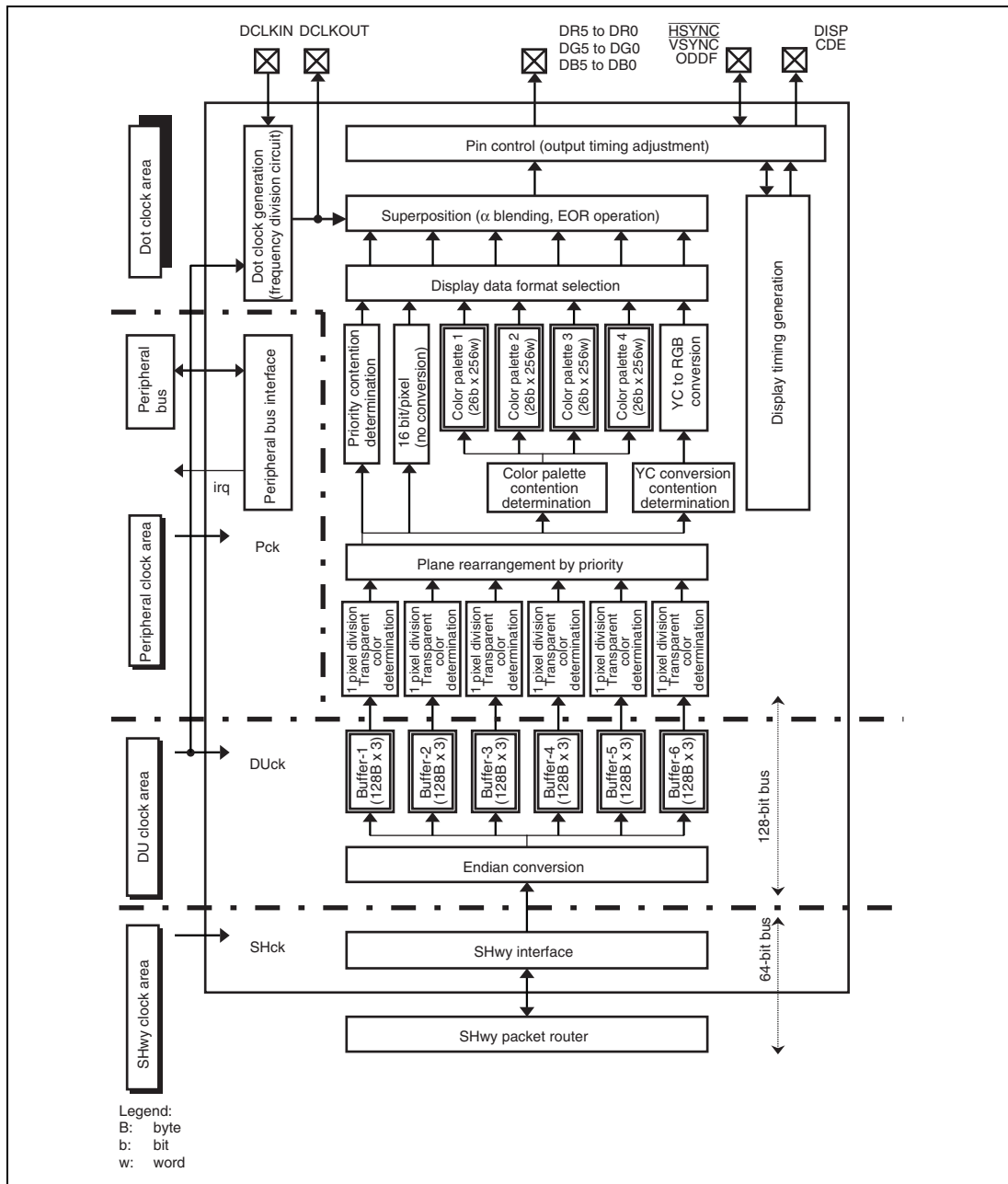


Figure 19.1 Block Diagram of the Display Unit (DU)

19.2 Input/Output Pins

Table 19.1 shows the pin configuration of the display unit (DU).

Table 19.1 Pin Configuration of the Display Unit (DU)

Pin Name	Number	I/O	Function	Signal Name Used in This Section
DCLKIN	1	I/O	Input dot clock	DCLKIN
DCLKOUT	1	Output	Output dot clock	DCLKOUT
HSYNC	1	I/O	Composite synchronous output signal (Initial value)	CSYNC
			Horizontal synchronous output/ External horizontal synchronous input	HSYNC (output)/ EXHSYNC (input)
VSYNC	1	I/O	Vertical synchronous output/ External vertical synchronous input (Initial value)	VSYNC (output)/ EXVSYNC (input)
			Composite synchronous output signal	CSYNC
ODDF	1	I/O	Odd/even field (Initial value)	ODDF
			CLAMP output signal	CLAMP
DISP	1	Output	Display interval	DISP
			Composite synchronous output signal	CSYNC
			DE output signal	DE
CDE	1	Output	Color detection	CDE
DR0	1	Output	Digital red 0	Digital RGB
DR1	1	Output	Digital red 1	
DR2	1	Output	Digital red 2	
DR3	1	Output	Digital red 3	
DR4	1	Output	Digital red 4	
DR5	1	Output	Digital red 5	
DG0	1	Output	Digital green 0	
DG1	1	Output	Digital green 1	
DG2	1	Output	Digital green 2	
DG3	1	Output	Digital green 3	
DG4	1	Output	Digital green 4	

Pin Name	Number	I/O	Function	Signal Name Used in This Section
DG5	1	Output	Digital green 5	
DB0	1	Output	Digital blue 0	
DB1	1	Output	Digital blue 1	
DB2	1	Output	Digital blue 2	
DB3	1	Output	Digital blue 3	
DB4	1	Output	Digital blue 4	
DB5	1	Output	Digital blue 5	

Note: In this section, unless otherwise noted, "dot clock" refers to the output dot clock.

19.3 Register Descriptions

Register update methods include external update and internal update.

(1) External Update

An "external update" is an update which reflects the address-mapped register settings made by the CPU after the end of CPU access. Registers related to display control (for example, the display system control register) and the settings of which are updated through external updates can be overwritten during the vertical blanking interval without display flicker by using the VBK flag and FRM flag in the display status register (DSSR) indicating the start position of the vertical blanking interval.

(2) Internal Update

An "internal update" is an update which reflects the address-mapped register settings with the internal update timing of the display unit (DU). Hence in the case of a register with an internal update function, even when the CPU overwrites address-mapped registers related to display operation without being aware of the display timing, display flicker can be prevented.

An internal update is performed during the interval in which the DRES bit in the display system control register (DSYSR) is 1 and at the beginning of each frame. The internal update performed at the beginning of each frame can be disabled using the IUPD bit in DSYSR.

Internal updates are performed on the following bits by setting to 1 the DRES bit in DSYSR:

- Display mode register (DSMR)
 - VSPM bit ($\overline{\text{VSYNC}}$ pin mode)
 - ODPM bit (ODPM pin mode)
 - ODDF bit (ODDF pin mode)
 - DIPM bit (DISP pin mode)
 - CSPM bit ($\overline{\text{HSYNC}}$ pin mode)
 - DIL bit (polarity reversal bit of the DISP pin)
 - VSL bit (polarity reversal bit of the $\overline{\text{VSYNC}}$ pin)
 - HSL bit (polarity reversal bit of the $\overline{\text{HSYNC}}$ pin)
- Output signal timing adjustment register (OTAR)
 - All bits

The registers for the X and Y start positions for plane n in the interlaced sync & video mode (PnSPXR, PnSPYR) are also internally updated at the beginning of a field.

Internal updates at the beginning of each frame are performed at the falling edge of VSYNC output when the sync method of DSYSR is master mode (TVM = 00), or at the falling edge of EXVSYNC detected in TV sync mode (TVM = 10). In sync switching mode (TVM = 11), internal updates are not performed, and data is retained.

The address-mapped registers with an internal update function are shown in table 19.2. The initial settings for these registers should be made during the interval in which the DRES bit in DSYSR is 1. For other important information on the timing of register updates, please refer to the explanations of each register.

Table 19.2 Register Configuration

Register Name	Abbr.	R/W	P4 Address	Area 7 Address	Size	Synchronous Clock
Display control registers						
Display system control register	DSYSR	R/W	H'FFF80000	H'1FF80000	32	Pck
Display mode register	DSMR	R/W	H'FFF80004	H'1FF80004	32	Pck
Display status register	DSSR	R	H'FFF80008	H'1FF80008	32	Pck
Display status register clear register	DSRCR	W	H'FFF8000C	H'1FF8000C	32	Pck
Display interrupt enable register	DIER	R/W	H'FFF80010	H'1FF80010	32	Pck
Color palette control register	CPCR	R/W	H'FFF80014	H'1FF80014	32	Pck
Display plane priority order register	DPPR	R/W	H'FFF80018	H'1FF80018	32	Pck
Display extension function enable register	DEFR	R/W	H'FFF80020	H'1FF80020	32	Pck
Display timing generation registers						
Horizontal display start position register	HDSR	R/W	H'FFF80040	H'1FF80040	32	Pck
Horizontal display end position register	HDER	R/W	H'FFF80044	H'1FF80044	32	Pck
Vertical display start position register	VDSR	R/W	H'FFF80048	H'1FF80048	32	Pck
Vertical display end position register	VDER	R/W	H'FFF8004C	H'1FF8004C	32	Pck
Horizontal scan period register	HCR	R/W	H'FFF80050	H'1FF80050	32	Pck
Horizontal synchronous pulse width register	HSWR	R/W	H'FFF80054	H'1FF80054	32	Pck
Vertical scan period register	VCR	R/W	H'FFF80058	H'1FF80058	32	Pck
Vertical synchronous position register	VSPR	R/W	H'FFF8005C	H'1FF8005C	32	Pck
Equivalent pulse width register	EQWR	R/W	H'FFF80060	H'1FF80060	32	Pck
Separation width register	SPWR	R/W	H'FFF80064	H'1FF80064	32	Pck
CLAMP signal start position register	CLAMPSPR	R/W	H'FFF80070	H'1FF80070	32	Pck
CLAMP signal width register	CLAMPWR	R/W	H'FFF80074	H'1FF80074	32	Pck

19. Display Unit (DU)

Register Name	Abbr.	R/W	P4 Address	Area 7 Address	Size	Synchronous Clock
DE signal start position register	DESR	R/W	H'FFF80078	H'1FF80078	32	Pck
DE signal width register	DEWR	R/W	H'FFF8007C	H'1FF8007C	32	Pck
Display attribute registers						
Color palette 1 transparent color register	CP1TR	R/W	H'FFF80080	H'1FF80080	32	Pck
Color palette 2 transparent color register	CP2TR	R/W	H'FFF80084	H'1FF80084	32	Pck
Color palette 3 transparent color register	CP3TR	R/W	H'FFF80088	H'1FF80088	32	Pck
Color palette 4 transparent color register	CP4TR	R/W	H'FFF8008C	H'1FF8008C	32	Pck
Display-off output register	DOOR	R/W	H'FFF80090	H'1FF80090	32	Pck
Color detection register	CDER	R/W	H'FFF80094	H'1FF80094	32	Pck
Base color register	BPOR	R/W	H'FFF80098	H'1FF80098	32	Pck
Raster interrupt offset register	RINTOFSR	R/W	H'FFF8009C	H'1FF8009C	32	Pck
Display plane registers						
Plane 1 mode register	P1MR	R/W	H'FFF80100	H'1FF80100	32	Pck
Plane 1 memory width register	P1MWR	R/W	H'FFF80104	H'1FF80104	32	Pck
Plane 1 blend ratio register	P1ALPHAR	R/W	H'FFF80108	H'1FF80108	32	Pck
Plane 1 display size X register	P1DSXR	R/W	H'FFF80110	H'1FF80110	32	Pck
Plane 1 display size Y register	P1DSYR	R/W	H'FFF80114	H'1FF80114	32	Pck
Plane 1 display position X register	P1DPXR	R/W	H'FFF80118	H'1FF80118	32	Pck
Plane 1 display position Y register	P1DPYR	R/W	H'FFF8011C	H'1FF8011C	32	Pck
Plane 1 display area start address 0 register	P1DSA0R	R/W	H'FFF80120	H'1FF80120	32	Pck
Plane 1 display area start address 1 register	P1DSA1R	R/W	H'FFF80124	H'1FF80124	32	Pck
Plane 1 start position X register	P1SPXR	R/W	H'FFF80130	H'1FF80130	32	Pck
Plane 1 start position Y register	P1SPYR	R/W	H'FFF80134	H'1FF80134	32	Pck
Plane 1 wrap-around start position register	P1WASPR	R/W	H'FFF80138	H'1FF80138	32	Pck

Register Name	Abbr.	R/W	P4 Address	Area 7 Address	Size	Synchronous Clock
Plane 1 wrap-around memory width register	P1WAMWR	R/W	H'FFF8013C	H'1FF8013C	32	Pck
Plane 1 blinking period register	P1BTR	R/W	H'FFF80140	H'1FF80140	32	Pck
Plane 1 transparent color 1 register	P1TC1R	R/W	H'FFF80144	H'1FF80144	32	Pck
Plane 1 transparent color 2 register	P1TC2R	R/W	H'FFF80148	H'1FF80148	32	Pck
Plane 1 memory length register	P1MLR	R/W	H'FFF80150	H'1FF80150	32	Pck
Plane 2 mode register	P2MR	R/W	H'FFF80200	H'1FF80200	32	Pck
Plane 2 memory width register	P2MWR	R/W	H'FFF80204	H'1FF80204	32	Pck
Plane 2 blend ratio register	P2ALPHAR	R/W	H'FFF80208	H'1FF80208	32	Pck
Plane 2 display size X register	P2DSXR	R/W	H'FFF80210	H'1FF80210	32	Pck
Plane 2 display size Y register	P2DSYR	R/W	H'FFF80214	H'1FF80214	32	Pck
Plane 2 display position X register	P2DPXR	R/W	H'FFF80218	H'1FF80218	32	Pck
Plane 2 display position Y register	P2DPYR	R/W	H'FFF8021C	H'1FF8021C	32	Pck
Plane 2 display area start address 0 register	P2DSA0R	R/W	H'FFF80220	H'1FF80220	32	Pck
Plane 2 display area start address 1 register	P2DSA1R	R/W	H'FFF80224	H'1FF80224	32	Pck
Plane 2 start position X register	P2SPXR	R/W	H'FFF80230	H'1FF80230	32	Pck
Plane 2 start position Y register	P2SPYR	R/W	H'FFF80234	H'1FF80234	32	Pck
Plane 2 wrap-around start position register	P2WASPR	R/W	H'FFF80238	H'1FF80238	32	Pck
Plane 2 wrap-around memory width register	P2WAMWR	R/W	H'FFF8023C	H'1FF8023C	32	Pck
Plane 2 blinking period register	P2BTR	R/W	H'FFF80240	H'1FF80240	32	Pck
Plane 2 transparent color 1 register	P2TC1R	R/W	H'FFF80244	H'1FF80244	32	Pck
Plane 2 transparent color 2 register	P2TC2R	R/W	H'FFF80248	H'1FF80248	32	Pck
Plane 2 memory length register	P2MLR	R/W	H'FFF80250	H'1FF80250	32	Pck
Plane 3 mode register	P3MR	R/W	H'FFF80300	H'1FF80300	32	Pck

19. Display Unit (DU)

Register Name	Abbr.	R/W	P4 Address	Area 7 Address	Size	Synchronous Clock
Plane 3 memory width register	P3MWR	R/W	H'FFF80304	H'1FF80304	32	Pck
Plane 3 blend ratio register	P3ALPHAR	R/W	H'FFF80308	H'1FF80308	32	Pck
Plane 3 display size X register	P3DSXR	R/W	H'FFF80310	H'1FF80310	32	Pck
Plane 3 display size Y register	P3DSYR	R/W	H'FFF80314	H'1FF80314	32	Pck
Plane 3 display position X register	P3DPXR	R/W	H'FFF80318	H'1FF80318	32	Pck
Plane 3 display position Y register	P3DPYR	R/W	H'FFF8031C	H'1FF8031C	32	Pck
Plane 3 display area start address 0 register	P3DSA0R	R/W	H'FFF80320	H'1FF80320	32	Pck
Plane 3 display area start address 1 register	P3DSA1R	R/W	H'FFF80324	H'1FF80324	32	Pck
Plane 3 start position X register	P3SPXR	R/W	H'FFF80330	H'1FF80330	32	Pck
Plane 3 start position Y register	P3SPYR	R/W	H'FFF80334	H'1FF80334	32	Pck
Plane 3 wrap-around start position register	P3WASPR	R/W	H'FFF80338	H'1FF80338	32	Pck
Plane 3 wrap-around memory width register	P3WAMWR	R/W	H'FFF8033C	H'1FF8033C	32	Pck
Plane 3 blinking period register	P3BTR	R/W	H'FFF80340	H'1FF80340	32	Pck
Plane 3 transparent color 1 register	P3TC1R	R/W	H'FFF80344	H'1FF80344	32	Pck
Plane 3 transparent color 2 register	P3TC2R	R/W	H'FFF80348	H'1FF80348	32	Pck
Plane 3 memory length register	P3MLR	R/W	H'FFF80350	H'1FF80350	32	Pck
Plane 4 mode register	P4MR	R/W	H'FFF80400	H'1FF80400	32	Pck
Plane 4 memory width register	P4MWR	R/W	H'FFF80404	H'1FF80404	32	Pck
Plane 4 blend ratio register	P4ALPHAR	R/W	H'FFF80408	H'1FF80408	32	Pck
Plane 4 display size X register	P4DSXR	R/W	H'FFF80410	H'1FF80410	32	Pck
Plane 4 display size Y register	P4DSYR	R/W	H'FFF80414	H'1FF80414	32	Pck
Plane 4 display position X register	P4DPXR	R/W	H'FFF80418	H'1FF80418	32	Pck
Plane 4 display position Y register	P4DPYR	R/W	H'FFF8041C	H'1FF8041C	32	Pck

Register Name	Abbr.	R/W	P4 Address	Area 7 Address	Size	Synchronous Clock
Plane 4 display area start address 0 register	P4DSA0R	R/W	H'FFF80420	H'1FF80420	32	Pck
Plane 4 display area start address 1 register	P4DSA1R	R/W	H'FFF80424	H'1FF80424	32	Pck
Plane 4 start position X register	P4SPXR	R/W	H'FFF80430	H'1FF80430	32	Pck
Plane 4 start position Y register	P4SPYR	R/W	H'FFF80434	H'1FF80434	32	Pck
Plane 4 wrap-around start position register	P4WASPR	R/W	H'FFF80438	H'1FF80438	32	Pck
Plane 4 wrap-around memory width register	P4WAMWR	R/W	H'FFF8043C	H'1FF8043C	32	Pck
Plane 4 blinking period register	P4BTR	R/W	H'FFF80440	H'1FF80440	32	Pck
Plane 4 transparent color 1 register	P4TC1R	R/W	H'FFF80444	H'1FF80444	32	Pck
Plane 4 transparent color 2 register	P4TC2R	R/W	H'FFF80448	H'1FF80448	32	Pck
Plane 4 memory length register	P4MLR	R/W	H'FFF80450	H'1FF80450	32	Pck
Plane 5 mode register	P5MR	R/W	H'FFF80500	H'1FF80500	32	Pck
Plane 5 memory width register	P5MWR	R/W	H'FFF80504	H'1FF80504	32	Pck
Plane 5 blend ratio register	P5ALPHAR	R/W	H'FFF80508	H'1FF80508	32	Pck
Plane 5 display size X register	P5DSXR	R/W	H'FFF80510	H'1FF80510	32	Pck
Plane 5 display size Y register	P5DSYR	R/W	H'FFF80514	H'1FF80514	32	Pck
Plane 5 display position X register	P5DPXR	R/W	H'FFF80518	H'1FF80518	32	Pck
Plane 5 display position Y register	P5DPYR	R/W	H'FFF8051C	H'1FF8051C	32	Pck
Plane 5 display area start address 0 register	P5DSA0R	R/W	H'FFF80520	H'1FF80520	32	Pck
Plane 5 display area start address 1 register	P5DSA1R	R/W	H'FFF80524	H'1FF80524	32	Pck
Plane 5 start position X register	P5SPXR	R/W	H'FFF80530	H'1FF80530	32	Pck
Plane 5 start position Y register	P5SPYR	R/W	H'FFF80534	H'1FF80534	32	Pck
Plane 5 wrap-around start position register	P5WASPR	R/W	H'FFF80538	H'1FF80538	32	Pck

19. Display Unit (DU)

Register Name	Abbr.	R/W	P4 Address	Area 7 Address	Size	Synchronous Clock
Plane 5 wrap-around memory width register	P5WAMWR	R/W	H'FFF8053C	H'1FF8053C	32	Pck
Plane 5 blinking period register	P5BTR	R/W	H'FFF80540	H'1FF80540	32	Pck
Plane 5 transparent color 1 register	P5TC1R	R/W	H'FFF80544	H'1FF80544	32	Pck
Plane 5 transparent color 2 register	P5TC2R	R/W	H'FFF80548	H'1FF80548	32	Pck
Plane 5 memory length register	P5MLR	R/W	H'FFF80550	H'1FF80550	32	Pck
Plane 6 mode register	P6MR	R/W	H'FFF80600	H'1FF80600	32	Pck
Plane 6 memory width register	P6MWR	R/W	H'FFF80604	H'1FF80604	32	Pck
Plane 6 blend ratio register	P6ALPHAR	R/W	H'FFF80608	H'1FF80608	32	Pck
Plane 6 display size X register	P6DSXR	R/W	H'FFF80610	H'1FF80610	32	Pck
Plane 6 display size Y register	P6DSYR	R/W	H'FFF80614	H'1FF80614	32	Pck
Plane 6 display position X register	P6DPXR	R/W	H'FFF80618	H'1FF80618	32	Pck
Plane 6 display position Y register	P6DPYR	R/W	H'FFF8061C	H'1FF8061C	32	Pck
Plane 6 display area start address 0 register	P6DSA0R	R/W	H'FFF80620	H'1FF80620	32	Pck
Plane 6 display area start address 1 register	P6DSA1R	R/W	H'FFF80624	H'1FF80624	32	Pck
Plane 6 start position X register	P6SPXR	R/W	H'FFF80630	H'1FF80630	32	Pck
Plane 6 start position Y register	P6SPYR	R/W	H'FFF80634	H'1FF80634	32	Pck
Plane 6 wrap-around start position register	P6WASPR	R/W	H'FFF80638	H'1FF80638	32	Pck
Plane 6 wrap-around memory width register	P6WAMWR	R/W	H'FFF8063C	H'1FF8063C	32	Pck
Plane 6 blinking period register	P6BTR	R/W	H'FFF80640	H'1FF80640	32	Pck
Plane 6 transparent color 1 register	P6TC1R	R/W	H'FFF80644	H'1FF80644	32	Pck
Plane 6 transparent color 2 register	P6TC2R	R/W	H'FFF80648	H'1FF80648	32	Pck
Plane 6 memory length register	P6MLR	R/W	H'FFF80650	H'1FF80650	32	Pck

Register Name	Abbr.	R/W	P4 Address	Area 7 Address	Size	Synchronous Clock
Color palette registers						
Color palette 1 register 000	CP1_000R	R/W	H'FFF81000	H'1FF81000	32	Pck
—						
Color palette 1 register 255	CP1_255R	R/W	H'FFF813FC	H'1FF813FC	32	Pck
Color palette 2 register 000	CP2_000R	R/W	H'FFF82000	H'1FF82000	32	Pck
—						
Color palette 2 register 255	CP2_255R	R/W	H'FFF823FC	H'1FF823FC	32	Pck
Color palette 3 register 000	CP3_000R	R/W	H'FFF83000	H'1FF83000	32	Pck
—						
Color palette 3 register 255	CP3_255R	R/W	H'FFF833FC	H'1FF833FC	32	Pck
Color palette 4 register 000	CP4_000R	R/W	H'FFF84000	H'1FF84000	32	Pck
—						
Color palette 4 register 255	CP4_255R	R/W	H'FFF843FC	H'1FF843FC	32	Pck
External synchronization control register						
External synchronization control register	ESCR	R/W	H'FFF90000	H'1FF90000	32	Pck
Output signal timing adjustment register	OTAR	R/W	H'FFF90004	H'1FF90004	32	Pck

Table 19.3 Status of Registers in Each Processing Mode

Register Name	Abbr.	Power-On Reset by PRESET Pin/ WDT/ H-UDI	Manual Reset by WDT	Sleep by Sleep Instruction	Module Standby	Deep Sleep	Bits with Internal Update Function
Display control registers							
Display system control register	DSYSR	H'00000280	Retained	Retained	Retained	Retained	DSEC DEN
Display mode register	DSMR	H'00000000	Retained	Retained	Retained	Retained	All bits except the following bits which are updated by the DRES bit in the display system control register (DSYSR): VSPM ODPM DIPM CSPM DIL VSL HSL
Display status register	DSSR	H'30000000	Retained	Retained	Retained	Retained	None
Display status register clear register	DSRCR	Undefined	Retained	Retained	Retained	Retained	None
Display interrupt enable register	DIER	H'00000000	Retained	Retained	Retained	Retained	None
Color palette control register	CPCR	H'00000000	Retained	Retained	Retained	Retained	All bits
Display plane priority order register	DPPR	H'00543210	Retained	Retained	Retained	Retained	All bits
Display extension function enable register	DEFR	H'00000000	Retained	Retained	Retained	Retained	None

Register Name	Abbr.	Power-On	Manual	Sleep by	Module	Deep	Bits with
		Reset by PRESET Pin/ WDT/ H-UDI					
Display timing generation registers							
Horizontal display start position register	HDSR	Undefined	Retained	Retained	Retained	Retained	All bits
Horizontal display end position register	HDER	Undefined	Retained	Retained	Retained	Retained	All bits
Vertical display start position register	VDSR	Undefined	Retained	Retained	Retained	Retained	All bits
Vertical display end position register	VDER	Undefined	Retained	Retained	Retained	Retained	All bits
Horizontal scan period register	HCR	Undefined	Retained	Retained	Retained	Retained	All bits
Horizontal synchronous pulse width register	HSWR	Undefined	Retained	Retained	Retained	Retained	All bits
Vertical scan period register	VCR	Undefined	Retained	Retained	Retained	Retained	All bits
Vertical synchronous position register	VSPR	Undefined	Retained	Retained	Retained	Retained	All bits
Equivalent pulse width register	EQWR	Undefined	Retained	Retained	Retained	Retained	All bits
Separation width register	SPWR	Undefined	Retained	Retained	Retained	Retained	All bits
CLAMP signal start position register	CLAMP SR	Undefined	Retained	Retained	Retained	Retained	All bits
CLAMP signal width register	CLAMP PWR	Undefined	Retained	Retained	Retained	Retained	All bits
DE signal start position register	DESR	Undefined	Retained	Retained	Retained	Retained	All bits
DE signal width register	DEWR	Undefined	Retained	Retained	Retained	Retained	All bits

Register Name	Abbr.	Power-On Reset by <u>PRESET</u> Pin/ WDT/ H-UDI	Manual Reset by WDT	Sleep by Sleep Instruction	Module Standby	Deep Sleep	Bits with Internal Update Function
Display attribute registers							
Color palette 1 transparent color register	CP1TR	H'00000000	Retained	Retained	Retained	Retained	All bits
Color palette 2 transparent color register	CP2TR	H'00000000	Retained	Retained	Retained	Retained	All bits
Color palette 3 transparent color register	CP3TR	H'00000000	Retained	Retained	Retained	Retained	All bits
Color palette 4 transparent color register	CP4TR	H'00000000	Retained	Retained	Retained	Retained	All bits
Display-off output register	DOOR	Undefined	Retained	Retained	Retained	Retained	All bits
Color detection register	CDER	Undefined	Retained	Retained	Retained	Retained	All bits
Base color register	BPOR	Undefined	Retained	Retained	Retained	Retained	All bits
Raster interrupt offset register	RINTOFSR	Undefined	Retained	Retained	Retained	Retained	All bits
Display plane registers							
Plane 1 mode register	P1MR	H'00000000	Retained	Retained	Retained	Retained	All bits
Plane 1 memory width register	P1MWR	Undefined	Retained	Retained	Retained	Retained	All bits
Plane 1 blend ratio register	P1ALPHAR	Undefined	Retained	Retained	Retained	Retained	All bits
Plane 1 display size X register	P1DSXR	Undefined	Retained	Retained	Retained	Retained	All bits
Plane 1 display size Y register	P1DSYR	Undefined	Retained	Retained	Retained	Retained	All bits
Plane 1 display position X register	P1DPXR	Undefined	Retained	Retained	Retained	Retained	All bits

Register Name	Abbr.	Power-On Reset by <u>PRESET</u> Pin/ WDT/ H-UDI	Manual Reset by WDT	Sleep by Sleep Instruction	Module Standby	Deep Sleep	Bits with Internal Update Function
Plane 1 display position Y register	P1DPYR	Undefined	Retained	Retained	Retained	Retained	All bits
Plane 1 display area start address 0 register	P1DSA0R	Undefined	Retained	Retained	Retained	Retained	All bits
Plane 1 display area start address 1 register	P1DSA1R	Undefined	Retained	Retained	Retained	Retained	All bits
Plane 1 start position X register	P1SPXR	Undefined	Retained	Retained	Retained	Retained	All bits
Plane 1 start position Y register	P1SPYR	Undefined	Retained	Retained	Retained	Retained	All bits
Plane 1 wrap-around start position register	P1WASPR	Undefined	Retained	Retained	Retained	Retained	All bits
Plane 1 wrap-around memory width register	P1WAMWR	Undefined	Retained	Retained	Retained	Retained	All bits
Plane 1 blinking period register	P1BTR	H'00000101	Retained	Retained	Retained	Retained	All bits
Plane 1 transparent color 1 register	P1TC1R	Undefined	Retained	Retained	Retained	Retained	All bits
Plane 1 transparent color 2 register	P1TC2R	Undefined	Retained	Retained	Retained	Retained	All bits
Plane 1 memory length register	P1MLR	H'00000000	Retained	Retained	Retained	Retained	All bits
Plane 2 mode register	P2MR	H'00000000	Retained	Retained	Retained	Retained	All bits
Plane 2 memory width register	P2MWR	Undefined	Retained	Retained	Retained	Retained	All bits
Plane 2 blend ratio register	P2ALPHAR	Undefined	Retained	Retained	Retained	Retained	All bits

19. Display Unit (DU)

Register Name	Abbr.	Power-On Reset by PRESET Pin/ WDT/ H-UDI	Manual Reset by WDT	Sleep by Sleep Instruction	Module Standby	Deep Sleep	Bits with Internal Update Function
Plane 2 display size X register	P2DSXR	Undefined	Retained	Retained	Retained	Retained	All bits
Plane 2 display size Y register	P2DSYR	Undefined	Retained	Retained	Retained	Retained	All bits
Plane 2 display position X register	P2DPXR	Undefined	Retained	Retained	Retained	Retained	All bits
Plane 2 display position Y register	P2DPYR	Undefined	Retained	Retained	Retained	Retained	All bits
Plane 2 display area start address 0 register	P2DSA0R	Undefined	Retained	Retained	Retained	Retained	All bits
Plane 2 display area start address 1 register	P2DSA1R	Undefined	Retained	Retained	Retained	Retained	All bits
Plane 2 start position X register	P2SPXR	Undefined	Retained	Retained	Retained	Retained	All bits
Plane 2 start position Y register	P2SPYR	Undefined	Retained	Retained	Retained	Retained	All bits
Plane 2 wrap-around start position register	P2WASPR	Undefined	Retained	Retained	Retained	Retained	All bits
Plane 2 wrap-around memory width register	P2WAMWR	Undefined	Retained	Retained	Retained	Retained	All bits
Plane 2 blinking period register	P2BTR	H'00000101	Retained	Retained	Retained	Retained	All bits
Plane 2 transparent color 1 register	P2TC1R	Undefined	Retained	Retained	Retained	Retained	All bits
Plane 2 transparent color 2 register	P2TC2R	Undefined	Retained	Retained	Retained	Retained	All bits
Plane 2 memory length register	P2MLR	H'00000000	Retained	Retained	Retained	Retained	All bits

Register Name	Abbr.	Power-On Reset by <u>PRESET</u> Pin/ WDT/ H-UDI	Manual Reset by WDT	Sleep by Sleep Instruction	Module Standby	Deep Sleep	Bits with Internal Update Function
Plane 3 mode register	P3MR	H'00000000	Retained	Retained	Retained	Retained	All bits
Plane 3 memory width register	P3MWR	Undefined	Retained	Retained	Retained	Retained	All bits
Plane 3 blend ratio register	P3ALPHAR	Undefined	Retained	Retained	Retained	Retained	All bits
Plane 3 display size X register	P3DSXR	Undefined	Retained	Retained	Retained	Retained	All bits
Plane 3 display size Y register	P3DSYR	Undefined	Retained	Retained	Retained	Retained	All bits
Plane 3 display position X register	P3DPXR	Undefined	Retained	Retained	Retained	Retained	All bits
Plane 3 display position Y register	P3DPYR	Undefined	Retained	Retained	Retained	Retained	All bits
Plane 3 display area start address 0 register	P3DSA0R	Undefined	Retained	Retained	Retained	Retained	All bits
Plane 3 display area start address 1 register	P3DSA1R	Undefined	Retained	Retained	Retained	Retained	All bits
Plane 3 start position X register	P3SPXR	Undefined	Retained	Retained	Retained	Retained	All bits
Plane 3 start position Y register	P3SPYR	Undefined	Retained	Retained	Retained	Retained	All bits
Plane 3 wrap-around start position register	P3WASPR	Undefined	Retained	Retained	Retained	Retained	All bits
Plane 3 wrap-around memory width register	P3WAMWR	Undefined	Retained	Retained	Retained	Retained	All bits
Plane 3 blinking period register	P3BTR	H'00000101	Retained	Retained	Retained	Retained	All bits
Plane 3 transparent color 1 register	P3TC1R	Undefined	Retained	Retained	Retained	Retained	All bits

Register Name	Abbr.	Power-On Reset by <u>PRESET</u> Pin/ WDT/ H-UDI	Manual Reset by WDT	Sleep by Sleep Instruction	Module Standby	Deep Sleep	Bits with Internal Update Function
Plane 3 transparent color 2 register	P3TC2R	Undefined	Retained	Retained	Retained	Retained	All bits
Plane 3 memory length register	P3MLR	H'00000000	Retained	Retained	Retained	Retained	All bits
Plane 4 mode register	P4MR	H'00000000	Retained	Retained	Retained	Retained	All bits
Plane 4 memory width register	P4MWR	Undefined	Retained	Retained	Retained	Retained	All bits
Plane 4 blend ratio register	P4ALPHAR	Undefined	Retained	Retained	Retained	Retained	All bits
Plane 4 display size X register	P4DSXR	Undefined	Retained	Retained	Retained	Retained	All bits
Plane 4 display size Y register	P4DSYR	Undefined	Retained	Retained	Retained	Retained	All bits
Plane 4 display position X register	P4DPXR	Undefined	Retained	Retained	Retained	Retained	All bits
Plane 4 display position Y register	P4DPYR	Undefined	Retained	Retained	Retained	Retained	All bits
Plane 4 display area start address 0 register	P4DSA0R	Undefined	Retained	Retained	Retained	Retained	All bits
Plane 4 display area start address 1 register	P4DSA1R	Undefined	Retained	Retained	Retained	Retained	All bits
Plane 4 start position X register	P4SPXR	Undefined	Retained	Retained	Retained	Retained	All bits
Plane 4 start position Y register	P4SPYR	Undefined	Retained	Retained	Retained	Retained	All bits
Plane 4 wrap- around start position register	P4WASPR	Undefined	Retained	Retained	Retained	Retained	All bits
Plane 4 wrap- around memory width register	P4WAMWR	Undefined	Retained	Retained	Retained	Retained	All bits

Register Name	Abbr.	Power-On Reset by <u>PRESET</u> Pin/ WDT/ H-UDI	Manual Reset by WDT	Sleep by Sleep Instruction	Module Standby	Deep Sleep	Bits with Internal Update Function
Plane 4 blinking period register	P4BTR	H'00000101	Retained	Retained	Retained	Retained	All bits
Plane 4 transparent color 1 register	P4TC1R	Undefined	Retained	Retained	Retained	Retained	All bits
Plane 4 transparent color 2 register	P4TC2R	Undefined	Retained	Retained	Retained	Retained	All bits
Plane 4 memory length register	P4MLR	H'00000000	Retained	Retained	Retained	Retained	All bits
Plane 5 mode register	P5MR	H'00000000	Retained	Retained	Retained	Retained	All bits
Plane 5 memory width register	P5MWR	Undefined	Retained	Retained	Retained	Retained	All bits
Plane 5 blend ratio register	P5ALPHAR	Undefined	Retained	Retained	Retained	Retained	All bits
Plane 5 display size X register	P5DSXR	Undefined	Retained	Retained	Retained	Retained	All bits
Plane 5 display size Y register	P5DSYR	Undefined	Retained	Retained	Retained	Retained	All bits
Plane 5 display position X register	P5DPXR	Undefined	Retained	Retained	Retained	Retained	All bits
Plane 5 display position Y register	P5DPYR	Undefined	Retained	Retained	Retained	Retained	All bits
Plane 5 display area start address 0 register	P5DSA0R	Undefined	Retained	Retained	Retained	Retained	All bits
Plane 5 display area start address 1 register	P5DSA1R	Undefined	Retained	Retained	Retained	Retained	All bits
Plane 5 start position X register	P5SPXR	Undefined	Retained	Retained	Retained	Retained	All bits
Plane 5 start position Y register	P5SPYR	Undefined	Retained	Retained	Retained	Retained	All bits

19. Display Unit (DU)

Register Name	Abbr.	Power-On Reset by PRESET Pin/ WDT/ H-UDI	Manual Reset by WDT	Sleep by Sleep Instruction	Module Standby	Deep Sleep	Bits with Internal Update Function
Plane 5 wrap-around start position register	P5WASPR	Undefined	Retained	Retained	Retained	Retained	All bits
Plane 5 wrap-around memory width register	P5WAMWR	Undefined	Retained	Retained	Retained	Retained	All bits
Plane 5 blinking period register	P5BTR	H'00000101	Retained	Retained	Retained	Retained	All bits
Plane 5 transparent color 1 register	P5TC1R	Undefined	Retained	Retained	Retained	Retained	All bits
Plane 5 transparent color 2 register	P5TC2R	Undefined	Retained	Retained	Retained	Retained	All bits
Plane 5 memory length register	P5MLR	H'00000000	Retained	Retained	Retained	Retained	All bits
Plane 6 mode register	P6MR	H'00000000	Retained	Retained	Retained	Retained	All bits
Plane 6 memory width register	P6MWR	Undefined	Retained	Retained	Retained	Retained	All bits
Plane 6 blend ratio register	P6ALPHAR	Undefined	Retained	Retained	Retained	Retained	All bits
Plane 6 display size X register	P6DSXR	Undefined	Retained	Retained	Retained	Retained	All bits
Plane 6 display size Y register	P6DSYR	Undefined	Retained	Retained	Retained	Retained	All bits
Plane 6 display position X register	P6DPXR	Undefined	Retained	Retained	Retained	Retained	All bits
Plane 6 display position Y register	P6DPYR	Undefined	Retained	Retained	Retained	Retained	All bits
Plane 6 display area start address 0 register	P6DSA0R	Undefined	Retained	Retained	Retained	Retained	All bits

Register Name	Abbr.	Power-On Reset by <u>PRESET</u> Pin/ WDT/ H-UDI	Manual Reset by WDT	Sleep by Sleep Instruction	Module Standby	Deep Sleep	Bits with Internal Update Function
Plane 6 display area start address 1 register	P6DSA1R	Undefined	Retained	Retained	Retained	Retained	All bits
Plane 6 start position X register	P6SPXR	Undefined	Retained	Retained	Retained	Retained	All bits
Plane 6 start position Y register	P6SPYR	Undefined	Retained	Retained	Retained	Retained	All bits
Plane 6 wrap- around start position register	P6WASPR	Undefined	Retained	Retained	Retained	Retained	All bits
Plane 6 wrap- around memory width register	P6WAMWR	Undefined	Retained	Retained	Retained	Retained	All bits
Plane 6 blinking period register	P6BTR	H'00000101	Retained	Retained	Retained	Retained	All bits
Plane 6 transparent color 1 register	P6TC1R	Undefined	Retained	Retained	Retained	Retained	All bits
Plane 6 transparent color 2 register	P6TC2R	Undefined	Retained	Retained	Retained	Retained	All bits
Plane 6 memory length register	P6MLR	H'00000000	Retained	Retained	Retained	Retained	All bits
Color palette registers							
Color palette 1 register 000	CP1_000R	Undefined	Retained	Retained	Retained	Retained	All bits
—							
Color palette 1 register 255	CP1_255R	Undefined	Retained	Retained	Retained	Retained	All bits
Color palette 2 register 000	CP2_000R	Undefined	Retained	Retained	Retained	Retained	All bits
—							
Color palette 2 register 255	CP2_255R	Undefined	Retained	Retained	Retained	Retained	All bits

Register Name	Abbr.	Power-On Reset by <u>PRESET</u> Pin/ WDT/ H-UDI	Manual Reset by WDT	Sleep by Sleep Instruction	Module Standby	Deep Sleep	Bits with Internal Update Function
Color palette 3 register 000	CP3_000R	Undefined	Retained	Retained	Retained	Retained	All bits
—							
Color palette 3 register 255	CP3_255R	Undefined	Retained	Retained	Retained	Retained	All bits
Color palette 4 register 000	CP4_000R	Undefined	Retained	Retained	Retained	Retained	All bits
—							
Color palette 4 register 255	CP4_255R	Undefined	Retained	Retained	Retained	Retained	All bits
External synchronization control register							
External synchronization control register	ESCR	H'00000000	Retained	Retained	Retained	Retained	None
Output signal timing adjustment register	OTAR	H'00000000	Retained	Retained	Retained	Retained	These bits are updated by the DRES bit in DSYSR.

19.3.1 Display Unit System Control Register

The display unit system control register (DSYSR) sets the system operation for the display unit (DU).

Bit:	31	30	29	28	27	26	25	24	23	22	21	20	19	18	17	16	
	—	—	—	—	—	—	—	—	—	—	—	DSEC	—	—	—	IUPD	
Initial value:	0	0	0	0	0	0	0	0	0	0	0	0	0	0	0	0	
R/W:	R	R	R	R	R	R	R	R	R	R	R	R/W	R	R	R	R/W	
Internal update:												O					
Bit:	15	14	13	12	11	10	9	8	7	6	5	4	3	2	1	0	
	—	—	—	—	—	—	DRES	DEN	TVM		SCM		—	—	—	—	
Initial value:	0	0	0	0	0	0	1	0	1	0	0	0	0	0	0	0	
R/W:	R	R	R	R	R	R	R/W	R/W	R/W	R/W	R/W	R/W	R	R	R	R	
Internal update:									O								

Bit	Bit Name	Initial Value	R/W	Internal Update	Description
31 to 21	—	All 0	R	—	Reserved These bits are always read as 0. The write value should always be 0.
20	DSEC	0	R/W	Yes	Display Data Endian Conversion For details of data swap, see section 19.4.7, Endian Conversion. 0: Display data in memory is not byte-data/word-data swapped 1: Display data in memory is byte-data/word-data swapped
19 to 17	—	All 0	R	—	Reserved These bits are always read as 0. The write value should always be 0.

Bit	Bit Name	Initial Value	R/W	Internal Update	Description
16	IUPD	0	R/W	Yes	<p>Internal Updating Disable</p> <p>When DRES = 1, internal update is performed regardless of this bit.</p> <p>For details of internal update, see (2) Internal Update in section 19.3, Register Descriptions.</p> <p>0: Internal update is performed upon each vertical sync signal (VSYNC) assertion</p> <p>1: By setting this bit to 1, internal updates can be prohibited.</p> <p>When this bit is set to 0, register update is performed upon the next vertical sync signal (VSYNC).</p>
15 to 10	—	All 0	R	—	<p>Reserved</p> <p>These bits are always read as 0. The write value should always be 0.</p>

Bit	Bit Name	Initial Value	R/W	Internal Update	Description
9	DRES	1	R/W	None	Display Reset
8	DEN	0	R/W	Yes	Display Enable

00: Starts display synchronization operation. In the case of a register not yet set, unexpected operation may occur; hence DRES should be set to 0 after setting all the registers in the display unit (DU). When DEN = 0, the display data is the value set in the display-off output register (DOOR).

01: Starts display synchronization operation. In the case of a register not yet set, unexpected operation may occur; hence DRES and DEN should be set to 0 and 1 respectively after setting all the registers in the display unit (DU). When DEN = 1, the display data is the value stored in memory from the next frame.

10: Halts display and synchronization operation. Halts display operation and synchronization operation. Except for the following bits in DSSR, register settings are held. For these settings, operation is as follows.

1. All display data output is 0.
2. The following bits in DSSR are cleared to 0.
 - TV sync signal error flag (TVR)
 - Frame flag (FRM)
 - Vertical blanking flag (VBK)
 - Raster interrupt flag (RINT)
 - Horizontal blanking flag (HBK)
3. The $\overline{\text{HSYNC}}$, $\overline{\text{VSYNC}}$, ODDF pins are input pins.

However, when the ODPM bit in DSMR is 1, the ODDF pin output is clamped.

11: Setting prohibited

Bit	Bit Name	Initial Value	R/W	Internal Update	Description
7, 6	TVM	10	R/W	None	<p>TV Synchronization Mode</p> <p>00: Master mode HSYNC, VSYNC, CSYNC are output</p> <p>01: Synchronization method switching mode When switching from TV sync mode to master mode, or from master mode to TV sync mode, is necessary, the switching should pass through this mode. In this mode, operation of the display system is forcibly halted, and DISP outputs a low level signal. Clock signal supply to the DCLKIN pin can also be halted (input disabled) (within the LSI the level is fixed high). When a clock signal is supplied to the DCLKIN pin, the clock is output from the DCLKOUT pin. The $\overline{\text{HSYNC}}$ pin is the EXHSYNC input, the $\overline{\text{VSYNC}}$ pin is the EXVSYNC input, and the ODDF pin is the ODDF input. However, when the ODPM bit in DSMR is 1, the ODDF pin output is clamped.</p> <p>10: TV synchronization mode The HSYNC pin is the EXHSYNC input, the VSYNC pin is the EXVSYNC input, and the ODDF pin is the ODDF input. However, when the ODPM bit in DSMR is 1, the ODDF pin output is clamped.</p> <p>11: Setting prohibited</p>
5, 4	SCM	00	R/W	None	<p>Scan Mode</p> <p>00: Non-interlace mode</p> <p>01: Setting prohibited</p> <p>10: Interlace sync mode</p> <p>11: Interlace sync and video mode</p>
3 to 0	—	All 0	R	None	<p>Reserved</p> <p>These bits are always read as 0. The write value should always be 0.</p>

19.3.2 Display Mode Register (DSMR)

The display mode register (DSMR) sets the display operation of the display unit.

Bit:	31	30	29	28	27	26	25	24	23	22	21	20	19	18	17	16
	—	—	—	VSPM	ODPM	DIPM		CSPM	—	—	—	—	DIL	VSL	HSL	DDIS
Initial value:	0	0	0	0	0	0	0	0	0	0	0	0	0	0	0	0
R/W:	R	R	R	R/W	R/W	R/W	R/W	R/W	R	R	R	R	R/W	R/W	R/W	R/W
Internal update:				*	*	*	*	*					*	*	*	*

Bit:	15	14	13	12	11	10	9	8	7	6	5	4	3	2	1	0
	CDEL	CDEM	CDED	—	—	—	ODEV	CSY		—	—	—	—	—	—	—
Initial value:	0	0	0	0	0	0	0	0	0	0	0	0	0	0	0	0
R/W:	R/W	R/W	R/W	R/W	R	R	R	R/W	R/W	R/W	R	R	R	R	R	R
Internal update:	*	*	*	*			*									

Bit	Bit Name	Initial Value	R/W	Internal Update	Description
31 to 29	—	All 0	R	—	Reserved These bits are always read as 0. The write value should always be 0.
28	VSPM	0	R/W	*	VSYNC Pin Mode Settings in DSYSR are given priority over settings in this register. 0: VSYNC signal is output to the $\overline{\text{VSYNC}}$ pin 1: CSYNC signal is output to the $\overline{\text{VSYNC}}$ pin
27	ODPM	0	R/W	*	ODDF Pin Mode 0: ODDF signal is output to the ODDF pin 1: CLAMP signal is output to the ODDF pin The ODDF pin is an output pin even when the TVM bit in DSYSR is set to TV sync mode.
26, 25	DIPM	00	R/W	*	DISP Pin Mode 00: DISP signal is output to the DISP pin 01: CSYNC signal is output to the DISP pin 10: Setting prohibited 11: DE signal is output to the DISP pin

Bit	Bit Name	Initial Value	R/W	Internal Update	Description
24	CSPM	0	R/W	*	<p>CSYNC Pin Mode</p> <p>Settings in DSYSR are given priority over settings in this register.</p> <p>0: CSYNC signal is output to the $\overline{\text{HSYNC}}$ pin</p> <p>1: HSYNC signal is output to the $\overline{\text{HSYNC}}$ pin</p>
23 to 20	—	All 0	R	—	<p>Reserved</p> <p>These bits are always read as 0. The write value should always be 0.</p>
19	DIL	0	R/W	*	<p>DISP Polarity Select</p> <p>0: DISP signal at high level during display interval</p> <p>1: DISP signal at low level during display interval</p>
18	VSL	0	R/W	*	<p>VSYNC Polarity Select</p> <p>0: VSYNC signal is low-active</p> <p>1: VSYNC signal is high-active</p>
17	HSL	0	R/W	*	<p>HSYNC Polarity Select</p> <p>0: HSYNC signal is low-active</p> <p>1: HSYNC signal is high-active</p>
16	DDIS	0	R/W	*	<p>DISP Output Disable</p> <p>0: DISP signal is output</p> <p>1: DISP signal is not output (fixed to low level)</p>
15	CDEL	0	R/W	*	<p>CDE Polarity Select</p> <p>0: CDE signal is high when output display data and the color detection register (CDER) match, and is low when they do not match</p> <p>1: CDE signal is low when output display data and CDER match, and is high when they do not match</p>

Bit	Bit Name	Initial Value	R/W	Internal Update	Description
14, 13	CDEM	00	R/W	*	CDE Output Mode 00: CDE signal is output without change 01: CDE signal is output without change 10: Low level output outside of display interval (interval when DISP signal is inactive) 11: High level output outside of display interval (interval when DISP signal is inactive)
12	CDED	0	R/W	*	CDE Disable 0: CDE signal is output 1: CDE signal is not output (fixed to low level)
11 to 9	—	All 0	R	—	Reserved These bits are always read as 0. The write value should always be 0.
8	ODEV	0	R/W	*	ODD Even Select for ODDF Signal 0: In interlaced display of the same frame, when the ODDF pin is at low level the first half of the field is displayed. 1: In interlaced display of the same frame, when the ODDF pin is at high level the first half of the field is displayed.

Bit	Bit Name	Initial Value	R/W	Internal Update	Description															
7, 6	CSY	00	R/W	None	<p>CSYNC Mode</p> <p>For details of CSYNC waveform, refer to section 19.5.2, CSYNC.</p> <p>00: The relation among VSYNC, HSYNC, and CSYNC is as follows.</p> <table border="1"> <thead> <tr> <th>VSYNC</th> <th>HSYNC</th> <th>CSYNC</th> </tr> </thead> <tbody> <tr> <td>Low level</td> <td>Low level</td> <td>High level</td> </tr> <tr> <td>Low level</td> <td>High level</td> <td>Low level</td> </tr> <tr> <td>High level</td> <td>Low level</td> <td>Low level</td> </tr> <tr> <td>High level</td> <td>High level</td> <td>High level</td> </tr> </tbody> </table> <p>01: Setting prohibited</p> <p>10: For the interval of three raster scans after the falling edge of VSYNC an equivalent pulse is output, followed by separation pulse for three raster scans, then an equivalent pulse for three raster scans, and for the interval after this the HSYNC waveform is output as CSYNC.</p> <p>11: 1/2 raster scan after the VSYNC falling edge, an equivalent pulse is output for 2.5 raster scans, then separation pulse for 2.5 raster scans, then an equivalent pulse for 2.5 raster scans, and for the interval after this the HSYNC waveform is output as CSYNC.</p>	VSYNC	HSYNC	CSYNC	Low level	Low level	High level	Low level	High level	Low level	High level	Low level	Low level	High level	High level	High level
VSYNC	HSYNC	CSYNC																		
Low level	Low level	High level																		
Low level	High level	Low level																		
High level	Low level	Low level																		
High level	High level	High level																		
5 to 0	—	All 0	R	—	<p>Reserved</p> <p>These bits are always read as 0. The write value should always be 0.</p>															

Note: * The bit is updated by setting the DRES bit in DSYSR to 1.

19.3.3 Display Status Register (DSSR)

The display status register (DSSR) is a register used to read, from outside, the internal state of the display unit (DU).

Bit:	31	30	29	28	27	26	25	24	23	22	21	20	19	18	17	16
	—	—	—	—	—	—	—	—	—	—	DFB6	DFB5	DFB4	DFB3	DFB2	DFB1
Initial value:	0	0	1	1	0	0	0	0	0	0	0	0	0	0	0	0
R/W:	R	R	R	R	R	R	R	R	R	R	R	R	R	R	R	R
Internal update:																
Bit:	15	14	13	12	11	10	9	8	7	6	5	4	3	2	1	0
	TVR	FRM	—	—	VBK	—	RINT	HBK	—	—	—	—	—	—	—	—
Initial value:	0	0	0	0	0	0	0	0	0	0	0	0	0	0	0	0
R/W:	R	R	R	R	R	R	R	R	R	R	R	R	R	R	R	R
Internal update:																

Bit	Bit Name	Initial Value	R/W	Internal Update	Description
31, 30	—	00	R	—	Reserved These bits are always read as 0. The write value should always be 0.
29, 28	—	11	R	—	Reserved These bits are always read as 1. The write value should always be 1.
27 to 22	—	All 0	R	—	Reserved These bits are always read as 0. The write value should always be 0.
21	DFB6	0	R	None	Display Frame Buffer 6 Flag 0: The address indicated by the plane 6 display area start address 0 register (P6DSA0R) in plane 6 is being used as the display area start address 1: The address indicated by the plane 6 display area start address 1 register (P6DSA1R) in plane 6 is being used as the display area start address

Bit	Bit Name	Initial Value	R/W	Internal Update	Description
20	DFB5	0	R	None	<p>Display Frame Buffer 5 Flag</p> <p>0: The address indicated by the plane 5 display area start address 0 register (P5DSA0R) in plane 5 is being used as the display area start address</p> <p>1: The address indicated by the plane 5 display area start address 1 register (P5DSA1R) in plane 5 is being used as the display area start address</p>
19	DFB4	0	R	None	<p>Display Frame Buffer 4 Flag</p> <p>0: The address indicated by the plane 4 display area start address 0 register (P4DSA0R) in plane 4 is being used as the display area start address</p> <p>1: The address indicated by the plane 4 display area start address 1 register (P4DSA1R) in plane 4 is being used as the display area start address</p>
18	DFB3	0	R	None	<p>Display Frame Buffer 3 Flag</p> <p>0: The address indicated by the plane 3 display area start address 0 register (P3DSA0R) in plane 3 is being used as the display area start address</p> <p>1: The address indicated by the plane 3 display area start address 1 register (P3DSA1R) in plane 3 is being used as the display area start address</p>
17	DFB2	0	R	None	<p>Display Frame Buffer 2 Flag</p> <p>0: The address indicated by the plane 2 display area start address 0 register (P2DSA0R) in plane 2 is being used as the display area start address</p> <p>1: The address indicated by the plane 2 display area start address 1 register (P2DSA1R) in plane 2 is being used as the display area start address</p>

Bit	Bit Name	Initial Value	R/W	Internal Update	Description
16	DFB1	0	R	None	<p>Display Frame Buffer 1 Flag</p> <p>0: The address indicated by the plane 1 display area start address 0 register (P1DSA0R) in plane 1 is being used as the display area start address</p> <p>1: The address indicated by the plane 1 display area start address 0 register (P1DSA1R) in plane 1 is being used as the display area start address</p>
15	TVR	0	R	None	<p>TV Synchronization Error Flag</p> <p>0: After using the DRES bit in DSYSR or the TVCL bit in the display status register clear register (DSRCR) to clear the TVR bit to 0, indicates that the rising edge of EXVSYNC is being detected each time within the vertical period determined by the setting of the vertical scan period register (VCR).</p> <p>1: Indicates that the rising edge of EXVSYNC was not detected within the vertical period determined by the setting of VCR when in TV sync mode. The TVR bit holds its state until cleared to 0 by the DRES bit in DSYSR or by the TVCL bit in DSRCR.</p>
14	FRM	0	R	None	<p>Frame Flag</p> <p>0: After clearing to 0 the FRM bit using either the DRES bit in DSYSR or the FRCL bit in DSRCR, in interlaced mode indicates the interval to the next display end, and in interlaced sync mode or in interlaced sync & video mode indicates the interval to the display end of the next even field.</p> <p>1: After clearing to 0 the FRM bit using either the DRES bit in DSYSR or the FRCL bit in DSRCR, indicates the interval until the next time the FRM bit is cleared, from the first vertical blanking interval in non-interlaced mode, and from the first even field blanking interval in interlaced sync or in interlaced sync & video mode. (frame units)</p>

Bit	Bit Name	Initial Value	R/W	Internal Update	Description
13, 12	—	All 0	R	—	Reserved These bits are always read as 0. The write value should always be 0.
11	VBK	0	R	None	Vertical Blanking Flag 0: Indicates the interval to the next display end after clearing to 0 the VBK bit using either the DRES bit in DSYSR or the VBCL bit in DSRCR. 1: Indicates the interval, after clearing the VBK bit using either the DRES bit in DSYSR or the VBCL bit in DSRCR, from the first vertical blanking interval until the VBK bit is again cleared to 0. (field units)
10	—	0	R	—	Reserved This bit is always read as 0. The write value should always be 0.
9	RINT	0	R	None	Raster Interrupt Flag 0: Indicates the interval from the start of the next display until raster scans set in the raster interrupt offset register have elapsed, after clearing to 0 the RINT bit using either the DRES bit in DSYSR or the RICL bit in DSRCR. 1: After clearing the RINT bit using either the DRES bit in DSYSR or the RICL bit in DSRCR, indicates the interval from the start of the next display after raster scans set in the raster interrupt offset register have elapsed until the bit is again cleared to 0.
8	HBK	0	R	None	Horizontal Blanking Flag 0: Indicates the interval, after clearing to 0 the HBK bit using the DRES bit in DSYSR or the HBCL bit in DSRCR, to the next horizontal blanking. 1: Indicates the interval, after clearing the HBK bit using either the DRES bit in DSYSR or the HBCL bit in DSRCR, from the first horizontal blanking interval until the HBK bit is again cleared to 0.
7 to 0	—	All 0	R	—	Reserved These bits are always read as 0. The write value should always be 0.

19.3.4 Display Unit Status Register Clear Register (DSRCR)

The display unit status register clear register (DSRCR) is a register which clears the various flags in DSSR.

Bit:	31	30	29	28	27	26	25	24	23	22	21	20	19	18	17	16
	—	—	—	—	—	—	—	—	—	—	—	—	—	—	—	—
Initial value:	0	0	0	0	0	0	0	0	0	0	0	0	0	0	0	0
R/W:	R	R	R	R	R	R	R	R	R	R	R	R	R	R	R	R

Internal update:

Bit:	15	14	13	12	11	10	9	8	7	6	5	4	3	2	1	0
	TVCL	FRCL	—	—	VBCL	—	RICL	HBCL	—	—	—	—	—	—	—	—
Initial value:	—	—	0	0	—	0	—	—	0	0	0	0	0	0	0	0
R/W:	W	W	R	R	W	R	W	W	R	R	R	R	R	R	R	R

Internal update:

Bit	Bit Name	Initial Value	R/W	Internal Update	Description
31 to 16	—	All 0	R	—	Reserved These bits are always read as 0. The write value should always be 0.
15	TVCL	Undefined	W	None	TV Synchronous Signal Error Flag Clear 0: The TVR flag in DSSR is not changed. 1: The TVR flag in DSSR is cleared to 0.
14	FRCL	Undefined	W	None	Flame Flag Clear 0: The FRM flag in DSSR is not changed. 1: The FRM flag in DSSR is cleared to 0.
13, 12	—	All 0	R	—	Reserved These bits are always read as 0. The write value should always be 0.
11	VBCL	Undefined	W	None	Vertical Blanking Flag Clear 0: The VBK flag in DSSR is not changed. 1: The VBK flag in DSSR is cleared to 0.
10	—	0	R	—	Reserved This bit is always read as 0. The write value should always be 0.

Bit	Bit Name	Initial Value	R/W	Internal Update	Description
9	RICL	Undefined	W	None	Vertical Blanking Flag Clear 0: The RINT flag in DSSR is not changed. 1: The RINT flag in DSSR is cleared to 0.
8	HBCL	Undefined	W	None	Vertical Blanking Flag Clear 0: The HBK flag in DSSR is not changed. 1: The HBK flag in DSSR is cleared to 0.
7 to 0	—	All 0	R	—	Reserved These bits are always read as 0. The write value should always be 0.

19.3.5 Display Unit Interrupt Enable Register (DIER)

The display unit interrupt enable register (DIER) is a register which enables interrupts to the CPU the causes of which are internal states of the display unit (DU) reflected in DSSR. When bits are set in this register, if bits in the same bit positions in DSSR are set, an interrupt is issued to the CPU.

Bit:	31	30	29	28	27	26	25	24	23	22	21	20	19	18	17	16
	—	—	—	—	—	—	—	—	—	—	—	—	—	—	—	—
Initial value:	0	0	0	0	0	0	0	0	0	0	0	0	0	0	0	0
R/W:	R	R	R	R	R	R	R	R	R	R	R	R	R	R	R	R
Internal update:																
Bit:	15	14	13	12	11	10	9	8	7	6	5	4	3	2	1	0
	TVE	FRE	—	—	VBE	—	RIE	HBE	—	—	—	—	—	—	—	—
Initial value:	0	0	0	0	0	0	0	0	0	0	0	0	0	0	0	0
R/W:	R/W	R/W	R	R	R/W	R	R/W	R/W	R	R	R	R	R	R	R	R
Internal update:																

Bit	Bit Name	Initial Value	R/W	Internal Update	Description
31 to 16	—	All 0	R	—	Reserved These bits are always read as 0. The write value should always be 0.
15	TVE	0	R/W	None	TV Synchronous Signal Error Interrupt Enable 0: Disables interrupt by the TVR flag in DSSR 1: Enables interrupt by the TVR flag in DSSR
14	FRE	0	R/W	None	Flame Flag Interrupt Enable 0: Disables interrupt by the FRM flag in DSSR 1: Enables interrupt by the FRM flag in DSSR
13, 12	—	All 0	R	—	Reserved These bits are always read as 0. The write value should always be 0.
11	VBE	0	R/W	None	Vertical Blanking Flag Interrupt Enable 0: Disables interrupt by the VBK flag in DSSR 1: Enables interrupt by the VBK flag in DSSR
10	—	0	R	—	Reserved This bit is always read as 0. The write value should always be 0.
9	RIE	0	R/W	None	Vertical Blanking Flag Interrupt Enable 0: Disables interrupt by the RINT flag in DSSR 1: Enables interrupt by the RINT flag in DSSR
8	HBE	0	R/W	None	Vertical Blanking Flag Interrupt Enable 0: Disables interrupt by the HBK flag in DSSR 1: Enables interrupt by the HBK flag in DSSR
7 to 0	—	All 0	R	—	Reserved These bits are always read as 0. The write value should always be 0.

The following are conditions, based on DSSR and this register, for issuing an interrupt to the CPU from the display unit (DU).

Conditions for issuing an interrupt = a + b + c + d + e

- a = TVR · TVE
- b = FRM · FRE
- c = VBK · VBE
- d = RINT · RIE
- e = HBK · HBE

Interrupts from the display unit (DU) are reflected by bit 27 of the interrupt source register (not affected by the mask state) (INT2A0) or by bit 27 of the interrupt source register (affected by the mask state) (INT2A1) of the interrupt controller (INTC).

19.3.6 Color Palette Control Register (CPCR)

The color palette control register (CPCR) is a register which enables switching of the color palette.

For information on color palette switching, refer to section 19.4.8, Color Palettes.

Bit:	31	30	29	28	27	26	25	24	23	22	21	20	19	18	17	16
	—	—	—	—	—	—	—	—	—	—	—	—	CP4CE	CP3CE	CP2CE	CP1CE
Initial value:	0	0	0	0	0	0	0	0	0	0	0	0	0	0	0	0
R/W:	R	R	R	R	R	R	R	R	R	R	R	R	R/W	R/W	R/W	R/W
Internal update:													O	O	O	O
Bit:	15	14	13	12	11	10	9	8	7	6	5	4	3	2	1	0
	—	—	—	—	—	—	—	—	—	—	—	—	—	—	—	—
Initial value:	0	0	0	0	0	0	0	0	0	0	0	0	0	0	0	0
R/W:	R	R	R	R	R	R	R	R	R	R	R	R	R	R	R	R
Internal update:																

Bit	Bit Name	Initial Value	R/W	Internal Update	Description
31 to 20	—	All 0	R	—	Reserved These bits are always read as 0. The write value should always be 0.
19	CP4CE	0	R/W	Yes	Color Palette 4 Change Enable 0: Switching of color palette 4 is not performed. 1: Switching of color palette 4 is performed. Switching is performed when the DRES bit in DSYSR is changed from 1 to 0, or with the timing of an internal update. This bit can only be set to 1; an operation to set the bit to 0 is invalid. After switching of the color palette 4, the bit is cleared to 0. When setting to 1 and clearing occur simultaneously, clearing to 0 takes priority.

Bit	Bit Name	Initial Value	R/W	Internal Update	Description
18	CP3CE	0	R/W	Yes	<p>Color Palette 3 Change Enable</p> <p>0: Switching of color palette 3 is not performed.</p> <p>1: Switching of color palette 3 is performed.</p> <p>Switching is performed when the DRES bit in DSYSR is changed from 1 to 0, or with the timing of an internal update. This bit can only be set to 1; an operation to set the bit to 0 is invalid. After switching of the color palette 3, the bit is cleared to 0.</p> <p>When setting to 1 and clearing occur simultaneously, clearing to 0 takes priority.</p>
17	CP2CE	0	R/W	Yes	<p>Color Palette 2 Change Enable</p> <p>0: Switching of color palette 2 is not performed.</p> <p>1: Switching of color palette 2 is performed.</p> <p>Switching is performed when the DRES bit in DSYSR is changed from 1 to 0, or with the timing of an internal update. This bit can only be set to 1; an operation to set the bit to 0 is invalid. After switching of the color palette 2, the bit is cleared to 0.</p> <p>When setting to 1 and clearing occur simultaneously, clearing to 0 takes priority.</p>
16	CP1CE	0	R/W	Yes	<p>Color Palette 1 Change Enable</p> <p>0: Switching of color palette 1 is not performed.</p> <p>1: Switching of color palette 1 is performed.</p> <p>Switching is performed when the DRES bit in DSYSR is changed from 1 to 0, or with the timing of an internal update. This bit can only be set to 1; an operation to set the bit to 0 is invalid. After switching of the color palette 1, the bit is cleared to 0.</p> <p>When setting to 1 and clearing occur simultaneously, clearing to 0 takes priority.</p>
15 to 0	—	All 0	R	—	<p>Reserved</p> <p>These bits are always read as 0. The write value should always be 0.</p>

19.3.7 Display Plane Priority Register (DPPR)

The display plane priority register (DPPR) sets the priority order for combining planes and turns the display on and off.

Bit:	31	30	29	28	27	26	25	24	23	22	21	20	19	18	17	16
	—	—	—	—	—	—	—	—	DPE6	DPS6			DPE5	DPS5		
Initial value:	0	0	0	0	0	0	0	0	0	1	0	1	0	1	0	0
R/W:	R	R	R	R	R	R	R	R	R/W	R/W	R/W	R/W	R/W	R/W	R/W	R/W
Internal update:									O	O	O	O	O	O	O	
Bit:	15	14	13	12	11	10	9	8	7	6	5	4	3	2	1	0
	DPE4	DPS4			DPE3	DPS3			DPE2	DPS2			DPE1	DPS1		
Initial value:	0	0	1	1	0	0	1	0	0	0	0	1	0	0	0	0
R/W:	R/W	R/W	R/W	R/W	R/W	R/W	R/W	R/W	R/W	R/W	R/W	R/W	R/W	R/W	R/W	R/W
Internal update:	O	O	O	O	O	O	O	O	O	O	O	O	O	O	O	O

Bit	Bit Name	Initial Value	R/W	Internal Update	Description
31 to 24	—	All 0	R	—	Reserved These bits are always read as 0. The write value should always be 0.
23	DPE6	0	R/W	Yes	Display Plane Priority 6 Enable
22 to 20	DPS6	101	R/W	Yes	Display Plane Priority 6 Select 1000: Selects and displays plane 1 in priority 6 1001: Selects and displays plane 2 in priority 6 1010: Selects and displays plane 3 in priority 6 1011: Selects and displays plane 4 in priority 6 1100: Selects and displays plane 5 in priority 6 1101: Selects and displays plane 6 in priority 6 1110: Setting prohibited 1111: Setting prohibited 0---: Priority 6 is not displayed

Bit	Bit Name	Initial Value	R/W	Internal Update	Description
19	DPE5	0	R/W	Yes	Display Plane Priority 5 Enable
18 to 16	DPS5	100	R/W	Yes	Display Plane Priority 5 Select 1000: Selects and displays plane 1 in priority 5 1001: Selects and displays plane 2 in priority 5 1010: Selects and displays plane 3 in priority 5 1011: Selects and displays plane 4 in priority 5 1100: Selects and displays plane 5 in priority 5 1101: Selects and displays plane 6 in priority 5 1110: Setting prohibited 1111: Setting prohibited 0---: Priority 5 is not displayed
15	DPE4	0	R/W	Yes	Display Plane Priority 4 Enable
14 to 12	DPS4	011	R/W	Yes	Display Plane Priority 4 Select 1000: Selects and displays plane 1 in priority 4 1001: Selects and displays plane 2 in priority 4 1010: Selects and displays plane 3 in priority 4 1011: Selects and displays plane 4 in priority 4 1100: Selects and displays plane 5 in priority 4 1101: Selects and displays plane 6 in priority 4 1110: Setting prohibited 1111: Setting prohibited 0---: Priority 4 is not displayed

Bit	Bit Name	Initial Value	R/W	Internal Update	Description
11	DPE3	0	R/W	Yes	Display Plane Priority 3 Enable
10 to 8	DPS3	010	R/W	Yes	Display Plane Priority 3 Select 1000: Selects and displays plane 1 in priority 3 1001: Selects and displays plane 2 in priority 3 1010: Selects and displays plane 3 in priority 3 1011: Selects and displays plane 4 in priority 3 1100: Selects and displays plane 5 in priority 3 1101: Selects and displays plane 6 in priority 3 1110: Setting prohibited 1111: Setting prohibited 0---: Priority 3 is not displayed
7	DPE2	0	R/W	Yes	Display Plane Priority 2 Enable
6 to 4	DPS2	001	R/W	Yes	Display Plane Priority 2 Select 1000: Selects and displays plane 1 in priority 2 1001: Selects and displays plane 2 in priority 2 1010: Selects and displays plane 3 in priority 2 1011: Selects and displays plane 4 in priority 2 1100: Selects and displays plane 5 in priority 2 1101: Selects and displays plane 6 in priority 2 1110: Setting prohibited 1111: Setting prohibited 0---: Priority 2 is not displayed
3	DPE1	0	R/W	Yes	Display Plane Priority 1 Enable
2 to 0	DPS1	000	R/W	Yes	Display Plane Priority 1 Select 1000: Selects and displays plane 1 in priority 1 1001: Selects and displays plane 2 in priority 1 1010: Selects and displays plane 3 in priority 1 1011: Selects and displays plane 4 in priority 1 1100: Selects and displays plane 5 in priority 1 1101: Selects and displays plane 6 in priority 1 1110: Setting prohibited 1111: Setting prohibited 0---: Priority 1 is not displayed

19.3.8 Display Unit Extensional Function Enable Register (DEFR)

The display unit extensional function enable register (DEFR) enables extension functions.

DEFR should be set during display reset (the DRES bit and DEN bit in DSYSR should be set to 1 and to 0 respectively) for external updates. If update is performed during display, the display may flicker.

Bit:	31	30	29	28	27	26	25	24	23	22	21	20	19	18	17	16
	—	—	—	—	—	—	—	—	—	—	—	—	—	—	—	—
Initial value:	0	0	0	0	0	0	0	0	0	0	0	0	0	0	0	0
R/W:	R	R	R	R	R	R	R	R	R	R	R	R	R	R	R	R
Internal update:																
Bit:	15	14	13	12	11	10	9	8	7	6	5	4	3	2	1	0
	—	—	—	—	—	—	—	—	—	—	DCKE	ABRE	—	—	—	DSAE
Initial value:	0	0	0	0	0	0	0	0	0	0	0	0	0	0	0	0
R/W:	R	R	R	R	R	R	R	R	R	R	R/W	R/W	R	R	R	R/W
Internal update:																

Bit	Bit Name	Initial Value	R/W	Internal Update	Description
31 to 6	—	All 0	R	—	Reserved These bits are always read as undefined. The write value should always be 0.
5	DCKE	0	R/W	None	Input Dot Clock Select Enable 0: The DCLKSEL bit and bit 4 of the FRQSEL bits in the external sync control register (ESCR) are disabled. 1: The DCLKSEL bit and bit 4 of the FRQSEL bits in ESCR are enabled. The following functions can be used. <ul style="list-style-type: none"> The clock from the DCLKIN pin and the DU clock (DUck) can be selected as the input dot clock. Selection is performed using the DCLKSEL bit in ESCR. The dot clock frequency division ratio can be selected in the range 0 to 32. The frequency division ratio is set using the FRQSEL bits in ESCR.

Bit	Bit Name	Initial Value	R/W	Internal Update	Description
4	ABRE	0	R/W	None	<p>Alpha Blend Ratio Enable</p> <p>0: The 31 to 24 bits in the color palette registers 1 to 4 and the PnBRSL bits in the plane n blend ratio registers (PnALPHAR) are disabled. The alpha blend ratio is set only by the PnALPHA bits PnALPHAR.</p> <p>1: The 31 to 24 bits in the color palette registers 1 to 4 and the PnBRSL bits in PnALPHAR are enabled.</p> <ul style="list-style-type: none"> • The following can be selected as the alpha blend ratio. Selection is performed using the PnBRSL bits in PnALPHAR. • PnALPHA bits in PnALPHAR <ul style="list-style-type: none"> — The 31 to 24 bits in the color palette registers 1 to 4 — Alpha plane data (display data) <p>For the alpha blend ratio, refer to section 19.4.9, Superpositioning of Planes.</p>
3 to 1	—	All 0	R	—	<p>Reserved</p> <p>These bits are always read as undefined. The write value should always be 0.</p>
0	DSAE	0	R/W	None	<p>Display Area Start Address Enable</p> <p>0: The 28 to 4 bits in the plane n display area start address 0 and 1 registers (PnDSA0R and PnDSA1R) are enabled. The 31 to 29 bits are B'000.</p> <p>1: The 31 to 4 bits PnDSA0R and PnDSA1R are enabled.</p>

19.3.9 Horizontal Display Start Register (HDSR)

The horizontal display start register (HDSR) sets the horizontal display start position. The value is retained during power-on reset and manual reset.

Bit:	31	30	29	28	27	26	25	24	23	22	21	20	19	18	17	16		
	—	—	—	—	—	—	—	—	—	—	—	—	—	—	—	—		
Initial value:	0	0	0	0	0	0	0	0	0	0	0	0	0	0	0	0		
R/W:	R	R	R	R	R	R	R	R	R	R	R	R	R	R	R	R		
Internal update:																		
Bit:	15	14	13	12	11	10	9	8	7	6	5	4	3	2	1	0		
	—	—	—	—	—	—	—	HDS									—	—
Initial value:	0	0	0	0	0	0	0	—	—	—	—	—	—	—	—	—		
R/W:	R	R	R	R	R	R	R	R/W	R/W	R/W	R/W	R/W	R/W	R/W	R/W	R/W		
Internal update:								O	O	O	O	O	O	O	O	O		

Bit	Bit Name	Initial Value	R/W	Internal Update	Description
31 to 9	—	All 0	R	—	Reserved These bits are always read as 0. The write value should always be 0.
8 to 0	HDS	Undefined	R/W	Yes	Horizontal Display Start The horizontal display start position should be set in dot clock units.

19.3.10 Horizontal Display End Register (HDER)

The horizontal display end register (HDER) sets the horizontal display end position. The value is retained during power-on reset and manual reset.

Bit:	31	30	29	28	27	26	25	24	23	22	21	20	19	18	17	16
	—	—	—	—	—	—	—	—	—	—	—	—	—	—	—	—
Initial value:	0	0	0	0	0	0	0	0	0	0	0	0	0	0	0	0
R/W:	R	R	R	R	R	R	R	R	R	R	R	R	R	R	R	R
Internal update:																
Bit:	15	14	13	12	11	10	9	8	7	6	5	4	3	2	1	0
	—	—	—	—	—	HDE										
Initial value:	0	0	0	0	0	—	—	—	—	—	—	—	—	—	—	—
R/W:	R	R	R	R	R	R/W	R/W	R/W	R/W	R/W	R/W	R/W	R/W	R/W	R/W	R/W
Internal update:						O	O	O	O	O	O	O	O	O	O	O

Bit	Bit Name	Initial Value	R/W	Internal Update	Description
31 to 11	—	All 0	R	—	Reserved These bits are always read as 0. The write value should always be 0.
10 to 0	HDE	Undefined	R/W	Yes	Horizontal Display End The horizontal display end position should be set in dot clock units.

19.3.11 Vertical Display Start Register (VDSR)

The vertical display start register (VDSR) sets the vertical display start position. The value is retained during power-on reset and manual reset.

Bit:	31	30	29	28	27	26	25	24	23	22	21	20	19	18	17	16		
	—	—	—	—	—	—	—	—	—	—	—	—	—	—	—	—		
Initial value:	0	0	0	0	0	0	0	0	0	0	0	0	0	0	0	0		
R/W:	R	R	R	R	R	R	R	R	R	R	R	R	R	R	R	R		
Internal update:																		
Bit:	15	14	13	12	11	10	9	8	7	6	5	4	3	2	1	0		
	—	—	—	—	—	—	—	VDS									—	—
Initial value:	0	0	0	0	0	0	0	—	—	—	—	—	—	—	—	—		
R/W:	R	R	R	R	R	R	R	R/W	R/W	R/W	R/W	R/W	R/W	R/W	R/W	R/W		
Internal update:								O	O	O	O	O	O	O	O	O		

Bit	Bit Name	Initial Value	R/W	Internal Update	Description
31 to 9	—	All 0	R	—	Reserved These bits are always read as 0. The write value should always be 0.
8 to 0	VDS	Undefined	R/W	Yes	Vertical Display Start The vertical display start position should be set in raster line units.

19.3.12 Vertical Display End Register (VDER)

The vertical display end register (VDER) sets the vertical display end position. The value is retained during power-on reset and manual reset.

Bit:	31	30	29	28	27	26	25	24	23	22	21	20	19	18	17	16
	—	—	—	—	—	—	—	—	—	—	—	—	—	—	—	—
Initial value:	0	0	0	0	0	0	0	0	0	0	0	0	0	0	0	0
R/W:	R	R	R	R	R	R	R	R	R	R	R	R	R	R	R	R
Internal update:																
Bit:	15	14	13	12	11	10	9	8	7	6	5	4	3	2	1	0
	—	—	—	—	—	—	VDE									
Initial value:	0	0	0	0	0	0	—	—	—	—	—	—	—	—	—	—
R/W:	R	R	R	R	R	R	R/W	R/W	R/W	R/W	R/W	R/W	R/W	R/W	R/W	R/W
Internal update:							O	O	O	O	O	O	O	O	O	O

Bit	Bit Name	Initial Value	R/W	Internal Update	Description
31 to 10	—	All 0	R	—	Reserved These bits are always read as 0. The write value should always be 0.
9 to 0	VDE	Undefined	R/W	Yes	Vertical Display End The vertical display end position should be set in raster line units.

19.3.13 Horizontal Cycle Register (HCR)

The horizontal cycle register (HCR) sets the horizontal scan cycle.(period). The value is retained during power-on reset and manual reset.

Bit:	31	30	29	28	27	26	25	24	23	22	21	20	19	18	17	16
	—	—	—	—	—	—	—	—	—	—	—	—	—	—	—	—
Initial value:	0	0	0	0	0	0	0	0	0	0	0	0	0	0	0	0
R/W:	R	R	R	R	R	R	R	R	R	R	R	R	R	R	R	R
Internal update:																
Bit:	15	14	13	12	11	10	9	8	7	6	5	4	3	2	1	0
	—	—	—	—	—	HC										
Initial value:	0	0	0	0	0	—	—	—	—	—	—	—	—	—	—	—
R/W:	R	R	R	R	R	R/W	R/W	R/W	R/W	R/W	R/W	R/W	R/W	R/W	R/W	R/W
Internal update:						O	O	O	O	O	O	O	O	O	O	O

Bit	Bit Name	Initial Value	R/W	Internal Update	Description
31 to 11	—	All 0	R	—	Reserved These bits are always read as 0. The write value should always be 0.
10 to 0	HC	Undefined	R/W	Yes	Horizontal Cycle One horizontal scan period, including the horizontal blanking interval, should be set in dot clock units. When in TV sync mode, this register should be set so that the HSYNC period determined by this register is the same as or greater than the EXHSYNC period.

19.3.14 Horizontal Sync Width Register (HSWR)

The horizontal sync width register (HSWR) sets the low-level pulse width of the horizontal sync signal. The value is retained during power-on reset and manual reset.

Bit:	31	30	29	28	27	26	25	24	23	22	21	20	19	18	17	16		
	—	—	—	—	—	—	—	—	—	—	—	—	—	—	—	—		
Initial value:	0	0	0	0	0	0	0	0	0	0	0	0	0	0	0	0		
R/W:	R	R	R	R	R	R	R	R	R	R	R	R	R	R	R	R		
Internal update:																		
Bit:	15	14	13	12	11	10	9	8	7	6	5	4	3	2	1	0		
	—	—	—	—	—	—	—	HSW									—	—
Initial value:	0	0	0	0	0	0	0	—	—	—	—	—	—	—	—	—		
R/W:	R	R	R	R	R	R	R	R/W	R/W	R/W	R/W	R/W	R/W	R/W	R/W	R/W		
Internal update:								O	O	O	O	O	O	O	O	O		

Bit	Bit Name	Initial Value	R/W	Internal Update	Description
31 to 9	—	0	R	—	Reserved These bits are always read as 0. The write value should always be 0.
8 to 0	HSW	Undefined	R/W	Yes	Horizontal Sync Width The low-level pulse width of the horizontal sync signal should be set in dot clock units.

19.3.15 Vertical Cycle Register (VCR)

The vertical cycle register (VCR) sets the vertical scan interval. The value is retained during power-on reset and manual reset.

Bit:	31	30	29	28	27	26	25	24	23	22	21	20	19	18	17	16
	—	—	—	—	—	—	—	—	—	—	—	—	—	—	—	—
Initial value:	0	0	0	0	0	0	0	0	0	0	0	0	0	0	0	0
R/W:	R	R	R	R	R	R	R	R	R	R	R	R	R	R	R	R
Internal update:																
Bit:	15	14	13	12	11	10	9	8	7	6	5	4	3	2	1	0
	—	—	—	—	—	—	VC									
Initial value:	0	0	0	0	0	0	—	—	—	—	—	—	—	—	—	—
R/W:	R	R	R	R	R	R	R/W	R/W	R/W	R/W	R/W	R/W	R/W	R/W	R/W	R/W
Internal update:							0	0	0	0	0	0	0	0	0	0

Bit	Bit Name	Initial Value	R/W	Internal Update	Description
31 to 10	—	All 0	R	—	Reserved These bits are always read as 0. The write value should always be 0.
9 to 0	VC	Undefined	R/W	Yes	Vertical Cycle The vertical scan interval, including the vertical blanking interval, should be set in raster line units. When in TV sync mode, the EXVSYNC rising-edge detection interval time should be set. If not detected within the interval, the result is reflected in the TVR flag in DSSR.

19.3.16 Vertical Sync Point Register (VSPR)

The vertical sync point register (VSPR) sets the start position of the vertical sync signal in raster line units. The value is retained during power-on reset and manual reset.

Bit:	31	30	29	28	27	26	25	24	23	22	21	20	19	18	17	16
	—	—	—	—	—	—	—	—	—	—	—	—	—	—	—	—
Initial value:	0	0	0	0	0	0	0	0	0	0	0	0	0	0	0	0
R/W:	R	R	R	R	R	R	R	R	R	R	R	R	R	R	R	R
Internal update:																
Bit:	15	14	13	12	11	10	9	8	7	6	5	4	3	2	1	0
	—	—	—	—	—	—	VSP									
Initial value:	0	0	0	0	0	0	—	—	—	—	—	—	—	—	—	—
R/W:	R	R	R	R	R	R	R/W	R/W	R/W	R/W	R/W	R/W	R/W	R/W	R/W	R/W
Internal update:							O	O	O	O	O	O	O	O	O	O

Bit	Bit Name	Initial Value	R/W	Internal Update	Description
31 to 10	—	All 0	R	—	Reserved These bits are always read as 0. The write value should always be 0.
9 to 0	VSP	Undefined	R/W	Yes	Vertical Sync Point The start position of the vertical sync signal should be set in raster line units. When in TV sync mode, this register should be set such that the VSYNC falling edge set position in this register is the same as or later than the EXVSYNC falling edge.

19.3.17 Equal Pulse Width Register (EQWR)

The equal pulse width register (EQWR) sets the low-level pulse width of a pulse equivalent to the CSYNC signal. The value is retained during power-on reset and manual reset.

Bit:	31	30	29	28	27	26	25	24	23	22	21	20	19	18	17	16
	—	—	—	—	—	—	—	—	—	—	—	—	—	—	—	—
Initial value:	0	0	0	0	0	0	0	0	0	0	0	0	0	0	0	0
R/W:	R	R	R	R	R	R	R	R	R	R	R	R	R	R	R	R
Internal update:																
Bit:	15	14	13	12	11	10	9	8	7	6	5	4	3	2	1	0
	—	—	—	—	—	—	—	—	—	EQW						
Initial value:	0	0	0	0	0	0	0	0	0	—	—	—	—	—	—	—
R/W:	R	R	R	R	R	R	R	R	R	R/W	R/W	R/W	R/W	R/W	R/W	R/W
Internal update:										O	O	O	O	O	O	O

Bit	Bit Name	Initial Value	R/W	Internal Update	Description
31 to 7	—	All 0	R	—	Reserved These bits are always read as 0. The write value should always be 0.
6 to 0	EQW	Undefined	R/W	Yes	Equal Pulse Width The low-level pulse width of a pulse equivalent to the CSYNC signal should be set in dot clock units. To enable this setting, bit 1 of the CSY bits in DSMR should be set to 1.

19.3.18 Separation Width Register (SPWR)

The separation width register (SPWR) sets the low-level pulse width of the separation pulse for the CSYNC signal. The value is retained during power-on reset and manual reset.

Bit:	31	30	29	28	27	26	25	24	23	22	21	20	19	18	17	16
	—	—	—	—	—	—	—	—	—	—	—	—	—	—	—	—
Initial value:	0	0	0	0	0	0	0	0	0	0	0	0	0	0	0	0
R/W:	R	R	R	R	R	R	R	R	R	R	R	R	R	R	R	R
Internal update:																
Bit:	15	14	13	12	11	10	9	8	7	6	5	4	3	2	1	0
	—	—	—	—	—	—	SPW									
Initial value:	0	0	0	0	0	0	—	—	—	—	—	—	—	—	—	—
R/W:	R	R	R	R	R	R	R/W	R/W	R/W	R/W	R/W	R/W	R/W	R/W	R/W	R/W
Internal update:							O	O	O	O	O	O	O	O	O	O

Bit	Bit Name	Initial Value	R/W	Internal Update	Description
31 to 10	—	All 0	R	—	Reserved These bits are always read as 0. The write value should always be 0.
9 to 0	SPW	Undefined	R/W	Yes	Separation Width The low-level pulse width of the separation pulse for the CSYNC signal should be set in dot clock units. The value set should be smaller than 1/2 the HC bits in HCR. To enable this setting, bit 1 of the CSY bits in DSMR should be set to 1.

19.3.19 CLAMP Signal Start Register (CLAMPSR)

The CLAMP signal start register (CLAMPSR) sets the rising edge position of the CLAMP signal. For timing charts for the CLAMP signal and the DE signal, refer to section 19.5.6, CLAMP Signal and DE Signal.

The value is retained during power-on reset and manual reset.

Bit:	31	30	29	28	27	26	25	24	23	22	21	20	19	18	17	16
	—	—	—	—	—	—	—	—	—	—	—	—	—	—	—	—
Initial value:	0	0	0	0	0	0	0	0	0	0	0	0	0	0	0	0
R/W:	R	R	R	R	R	R	R	R	R	R	R	R	R	R	R	R
Internal update:																
Bit:	15	14	13	12	11	10	9	8	7	6	5	4	3	2	1	0
	—	—	—	—	—	CLAMPS										
Initial value:	0	0	0	0	0	—	—	—	—	—	—	—	—	—	—	—
R/W:	R	R	R	R	R	R/W	R/W	R/W	R/W	R/W	R/W	R/W	R/W	R/W	R/W	R/W
Internal update:						O	O	O	O	O	O	O	O	O	O	O

Bit	Bit Name	Initial Value	R/W	Internal Update	Description
31 to 11	—	All 0	R	—	Reserved These bits are always read as 0. The write value should always be 0.
10 to 0	CLAMPS	Undefined	R/W	Yes	Clamp Signal Start The CLAMP signal rising edge position should be set in dot clock units relative to the falling edge of the HSYNC signal. The CLAMP signal rises (setting + 1) cycles after the falling edge of the HSYNC signal. Hence the CLAMP signal cannot be made to rise in the same cycle as the falling edge of the HSYNC signal.

19.3.20 CLAMP Signal Width Register (CLAMPWR)

The CLAMP signal width register (CLAMPWR) sets the high-level width of the CLAMP signal. The value is retained during power-on reset and manual reset.

Bit:	31	30	29	28	27	26	25	24	23	22	21	20	19	18	17	16
	—	—	—	—	—	—	—	—	—	—	—	—	—	—	—	—
Initial value:	0	0	0	0	0	0	0	0	0	0	0	0	0	0	0	0
R/W:	R	R	R	R	R	R	R	R	R	R	R	R	R	R	R	R
Internal update:																
Bit:	15	14	13	12	11	10	9	8	7	6	5	4	3	2	1	0
	—	—	—	—	—	CLAMPW										
Initial value:	0	0	0	0	0	—	—	—	—	—	—	—	—	—	—	—
R/W:	R	R	R	R	R	R/W	R/W	R/W	R/W	R/W	R/W	R/W	R/W	R/W	R/W	R/W
Internal update:						0	0	0	0	0	0	0	0	0	0	0

Bit	Bit Name	Initial Value	R/W	Internal Update	Description
31 to 11	—	All 0	R	—	Reserved These bits are always read as 0. The write value should always be 0.
10 to 0	CLAMPW	Undefined	R/W	Yes	Clamp Signal Width The high-level width of the CLAMP signal should be set in dot clock units. If the HSYNC signal falls while the CLAMP signal is at high level, the CLAMP signal also falls.

19.3.21 DE Signal Start Register (DESR)

The DE signal start register (DESR) sets the rising edge position of the DE signal. The value is retained during power-on reset and manual reset.

Bit:	31	30	29	28	27	26	25	24	23	22	21	20	19	18	17	16
	—	—	—	—	—	—	—	—	—	—	—	—	—	—	—	—
Initial value:	0	0	0	0	0	0	0	0	0	0	0	0	0	0	0	0
R/W:	R	R	R	R	R	R	R	R	R	R	R	R	R	R	R	R
Internal update:																
Bit:	15	14	13	12	11	10	9	8	7	6	5	4	3	2	1	0
	—	—	—	—	—	DES										
Initial value:	0	0	0	0	0	—	—	—	—	—	—	—	—	—	—	—
R/W:	R	R	R	R	R	R/W	R/W	R/W	R/W	R/W	R/W	R/W	R/W	R/W	R/W	R/W
Internal update:						O	O	O	O	O	O	O	O	O	O	O

Bit	Bit Name	Initial Value	R/W	Internal Update	Description
31 to 11	—	All 0	R	—	Reserved These bits are always read as 0. The write value should always be 0.
10 to 0	DES	Undefined	R/W	Yes	DE Signal Start The DE signal rising edge position should be set in dot clock units relative to the falling edge of the HSYNC signal. The DE signal rises (setting + 1) cycles after the falling edge of the HSYNC signal. Hence the DE signal cannot be made to rise in the same cycle as the falling edge of the HSYNC signal. During the vertical blanking interval the level is fixed at low level.

19.3.22 DE Signal Width Register (DEWR)

The DE signal width register (DEWR) sets the high-level width of the DE signal. The value is retained during power-on reset and manual reset.

Bit:	31	30	29	28	27	26	25	24	23	22	21	20	19	18	17	16
	—	—	—	—	—	—	—	—	—	—	—	—	—	—	—	—
Initial value:	0	0	0	0	0	0	0	0	0	0	0	0	0	0	0	0
R/W:	R	R	R	R	R	R	R	R	R	R	R	R	R	R	R	R
Internal update:																
Bit:	15	14	13	12	11	10	9	8	7	6	5	4	3	2	1	0
	—	—	—	—	—	DEW										
Initial value:	0	0	0	0	0	—	—	—	—	—	—	—	—	—	—	—
R/W:	R	R	R	R	R	R/W	R/W	R/W	R/W	R/W	R/W	R/W	R/W	R/W	R/W	R/W
Internal update:						0	0	0	0	0	0	0	0	0	0	0

Bit	Bit Name	Initial Value	R/W	Internal Update	Description
31 to 11	—	All 0	R	—	Reserved These bits are always read as 0. The write value should always be 0.
10 to 0	DEW	Undefined	R/W	Yes	DE Signal Width The high-level width of the DE signal should be set in dot clock units. If the HSYNC signal falls while the DE signal is at high level, the DE signal also falls.

19.3.23 Color Palette 1 Transparent Color Register (CP1TR)

The color palette 1 transparent color register (CP1TR) specifies the transparent color for color palette 1.

Bit:	31	30	29	28	27	26	25	24	23	22	21	20	19	18	17	16
	—	—	—	—	—	—	—	—	—	—	—	—	—	—	—	—
Initial value:	0	0	0	0	0	0	0	0	0	0	0	0	0	0	0	0
R/W:	R	R	R	R	R	R	R	R	R	R	R	R	R	R	R	R
Internal update:																
Bit:	15	14	13	12	11	10	9	8	7	6	5	4	3	2	1	0
	CP1IF	CP1IE	CP1ID	CP1IC	CP1IB	CP1IA	CP1I9	CP1I8	CP1I7	CP1I6	CP1I5	CP1I4	CP1I3	CP1I2	CP1I1	CP1I0
Initial value:	0	0	0	0	0	0	0	0	0	0	0	0	0	0	0	0
R/W:	R/W	R/W	R/W	R/W	R/W	R/W	R/W	R/W	R/W	R/W	R/W	R/W	R/W	R/W	R/W	R/W
Internal update:	O	O	O	O	O	O	O	O	O	O	O	O	O	O	O	O

Bit	Bit Name	Initial Value	R/W	Internal Update	Description
31 to 16	—	All 0	R	—	Reserved These bits are always read as 0. The write value should always be 0.
15	CP1IF	0	R/W	Yes	Color Palette 1 Index F 0: The color with index F in color palette 1 is not set to the transparent color. 1: The color with index F in color palette 1 is set to the transparent color.
14	CP1IE	0	R/W	Yes	Color Palette 1 Index E 0: The color with index E in color palette 1 is not set to the transparent color. 1: The color with index E in color palette 1 is set to the transparent color.
13	CP1ID	0	R/W	Yes	Color Palette 1 Index D 0: The color with index D in color palette 1 is not set to the transparent color. 1: The color with index D in color palette 1 is set to the transparent color.

Bit	Bit Name	Initial Value	R/W	Internal Update	Description
12	CP11C	0	R/W	Yes	Color Palette 1 Index C 0: The color with index C in color palette 1 is not set to the transparent color. 1: The color with index C in color palette 1 is set to the transparent color.
11	CP11B	0	R/W	Yes	Color Palette 1 Index B 0: The color with index B in color palette 1 is not set to the transparent color. 1: The color with index B in color palette 1 is set to the transparent color.
10	CP11A	0	R/W	Yes	Color Palette 1 Index A 0: The color with index A in color palette 1 is not set to the transparent color. 1: The color with index A in color palette 1 is set to the transparent color.
9	CP119	0	R/W	Yes	Color Palette 1 Index 9 0: The color with index 9 in color palette 1 is not set to the transparent color. 1: The color with index 9 in color palette 1 is set to the transparent color.
8	CP118	0	R/W	Yes	Color Palette 1 Index 8 0: The color with index 8 in color palette 1 is not set to the transparent color. 1: The color with index 8 in color palette 1 is set to the transparent color.
7	CP117	0	R/W	Yes	Color Palette 1 Index 7 0: The color with index 7 in color palette 1 is not set to the transparent color. 1: The color with index 7 in color palette 1 is set to the transparent color.
6	CP116	0	R/W	Yes	Color Palette 1 Index 6 0: The color with index 6 in color palette 1 is not set to the transparent color. 1: The color with index 6 in color palette 1 is set to the transparent color.

Bit	Bit Name	Initial Value	R/W	Internal Update	Description
5	CP1I5	0	R/W	Yes	Color Palette 1 Index 5 0: The color with index 5 in color palette 1 is not set to the transparent color. 1: The color with index 5 in color palette 1 is set to the transparent color.
4	CP1I4	0	R/W	Yes	Color Palette 1 Index 4 0: The color with index 4 in color palette 1 is not set to the transparent color. 1: The color with index 4 in color palette 1 is set to the transparent color.
3	CP1I3	0	R/W	Yes	Color Palette 1 Index 3 0: The color with index 3 in color palette 1 is not set to the transparent color. 1: The color with index 3 in color palette 1 is set to the transparent color.
2	CP1I2	0	R/W	Yes	Color Palette 1 Index 2 0: The color with index 2 in color palette 1 is not set to the transparent color. 1: The color with index 2 in color palette 1 is set to the transparent color.
1	CP1I1	0	R/W	Yes	Color Palette 1 Index 1 0: The color with index 1 in color palette 1 is not set to the transparent color. 1: The color with index 1 in color palette 1 is set to the transparent color.
0	CP1I0	0	R/W	Yes	Color Palette 1 Index 0 0: The color with index 0 in color palette 1 is not set to the transparent color. 1: The color with index 0 in color palette 1 is set to the transparent color.

19.3.24 Color Palette 2 Transparent Color Register (CP2TR)

The color palette 2 transparent color register (CP2TR) specifies the transparent color of color palette 2.

Bit:	31	30	29	28	27	26	25	24	23	22	21	20	19	18	17	16
	—	—	—	—	—	—	—	—	—	—	—	—	—	—	—	—
Initial value:	0	0	0	0	0	0	0	0	0	0	0	0	0	0	0	0
R/W:	R	R	R	R	R	R	R	R	R	R	R	R	R	R	R	R
Internal update:																
Bit:	15	14	13	12	11	10	9	8	7	6	5	4	3	2	1	0
	CP2IF	CP2IE	CP2ID	CP2IC	CP2IB	CP2IA	CP2I9	CP2I8	CP2I7	CP2I6	CP2I5	CP2I4	CP2I3	CP2I2	CP2I1	CP2I0
Initial value:	0	0	0	0	0	0	0	0	0	0	0	0	0	0	0	0
R/W:	R/W	R/W	R/W	R/W	R/W	R/W	R/W	R/W	R/W	R/W	R/W	R/W	R/W	R/W	R/W	R/W
Internal update:	0	0	0	0	0	0	0	0	0	0	0	0	0	0	0	0

Bit	Bit Name	Initial Value	R/W	Internal Update	Description
31 to 16	—	All 0	R	—	Reserved These bits are always read as 0. The write value should always be 0.
15	CP2IF	0	R/W	Yes	Color Palette 2 Index F 0: The color with index F in color palette 2 is not set to the transparent color. 1: The color with index F in color palette 2 is set to the transparent color.
14	CP2IE	0	R/W	Yes	Color Palette 2 Index E 0: The color with index E in color palette 2 is not set to the transparent color. 1: The color with index E in color palette 2 is set to the transparent color.
13	CP2ID	0	R/W	Yes	Color Palette 2 Index D 0: The color with index D in color palette 2 is not set to the transparent color. 1: The color with index D in color palette 2 is set to the transparent color.

Bit	Bit Name	Initial Value	R/W	Internal Update	Description
12	CP2IC	0	R/W	Yes	Color Palette 2 Index C 0: The color with index C in color palette 2 is not set to the transparent color. 1: The color with index C in color palette 2 is set to the transparent color.
11	CP2IB	0	R/W	Yes	Color Palette 2 Index B 0: The color with index B in color palette 2 is not set to the transparent color. 1: The color with index B in color palette 2 is set to the transparent color.
10	CP2IA	0	R/W	Yes	Color Palette 2 Index A 0: The color with index A in color palette 2 is not set to the transparent color. 1: The color with index A in color palette 2 is set to the transparent color.
9	CP2I9	0	R/W	Yes	Color Palette 2 Index 9 0: The color with index 9 in color palette 2 is not set to the transparent color. 1: The color with index 9 in color palette 2 is set to the transparent color.
8	CP2I8	0	R/W	Yes	Color Palette 2 Index 8 0: The color with index 8 in color palette 2 is not set to the transparent color. 1: The color with index 8 in color palette 2 is set to the transparent color.
7	CP2I7	0	R/W	Yes	Color Palette 2 Index 7 0: The color with index 7 in color palette 2 is not set to the transparent color. 1: The color with index 7 in color palette 2 is set to the transparent color.
6	CP2I6	0	R/W	Yes	Color Palette 2 Index 6 0: The color with index 6 in color palette 2 is not set to the transparent color. 1: The color with index 6 in color palette 2 is set to the transparent color.

Bit	Bit Name	Initial Value	R/W	Internal Update	Description
5	CP2I5	0	R/W	Yes	Color Palette 2 Index 5 0: The color with index 5 in color palette 2 is not set to the transparent color. 1: The color with index 5 in color palette 2 is set to the transparent color.
4	CP2I4	0	R/W	Yes	Color Palette 2 Index 4 0: The color with index 4 in color palette 2 is not set to the transparent color. 1: The color with index 4 in color palette 2 is set to the transparent color.
3	CP2I3	0	R/W	Yes	Color Palette 2 Index 3 0: The color with index 3 in color palette 2 is not set to the transparent color. 1: The color with index 3 in color palette 2 is set to the transparent color.
2	CP2I2	0	R/W	Yes	Color Palette 2 Index 2 0: The color with index 2 in color palette 2 is not set to the transparent color. 1: The color with index 2 in color palette 2 is set to the transparent color.
1	CP2I1	0	R/W	Yes	Color Palette 2 Index 1 0: The color with index 1 in color palette 2 is not set to the transparent color. 1: The color with index 1 in color palette 2 is set to the transparent color.
0	CP2I0	0	R/W	Yes	Color Palette 2 Index 0 0: The color with index 0 in color palette 2 is not set to the transparent color. 1: The color with index 0 in color palette 2 is set to the transparent color.

19.3.25 Color Palette 3 Transparent Color Register (CP3TR)

The color palette 3 transparent color register (CP3TR) specifies the transparent color of color palette 3.

Bit:	31	30	29	28	27	26	25	24	23	22	21	20	19	18	17	16
	—	—	—	—	—	—	—	—	—	—	—	—	—	—	—	—
Initial value:	0	0	0	0	0	0	0	0	0	0	0	0	0	0	0	0
R/W:	R	R	R	R	R	R	R	R	R	R	R	R	R	R	R	R
Internal update:																
Bit:	15	14	13	12	11	10	9	8	7	6	5	4	3	2	1	0
	CP3IF	CP3IE	CP3ID	CP3IC	CP3IB	CP3IA	CP3I9	CP3I8	CP3I7	CP3I6	CP3I5	CP3I4	CP3I3	CP3I2	CP3I1	CP3I0
Initial value:	0	0	0	0	0	0	0	0	0	0	0	0	0	0	0	0
R/W:	R/W	R/W	R/W	R/W	R/W	R/W	R/W	R/W	R/W	R/W	R/W	R/W	R/W	R/W	R/W	R/W
Internal update:	0	0	0	0	0	0	0	0	0	0	0	0	0	0	0	0

Bit	Bit Name	Initial Value	R/W	Internal Update	Description
31 to 16	—	All 0	R	—	Reserved These bits are always read as 0. The write value should always be 0.
15	CP3IF	0	R/W	Yes	Color Palette 3 Index F 0: The color with index F in color palette 3 is not set to the transparent color. 1: The color with index F in color palette 3 is set to the transparent color.
14	CP3IE	0	R/W	Yes	Color Palette 3 Index E 0: The color with index E in color palette 3 is not set to the transparent color. 1: The color with index E in color palette 3 is set to the transparent color.
13	CP3ID	0	R/W	Yes	Color Palette 3 Index D 0: The color with index D in color palette 3 is not set to the transparent color. 1: The color with index D in color palette 3 is set to the transparent color.

Bit	Bit Name	Initial Value	R/W	Internal Update	Description
12	CP3IC	0	R/W	Yes	Color Palette 3 Index C 0: The color with index C in color palette 3 is not set to the transparent color. 1: The color with index C in color palette 3 is set to the transparent color.
11	CP3IB	0	R/W	Yes	Color Palette 3 Index B 0: The color with index B in color palette 3 is not set to the transparent color. 1: The color with index B in color palette 3 is set to the transparent color.
10	CP3IA	0	R/W	Yes	Color Palette 3 Index A 0: The color with index A in color palette 3 is not set to the transparent color. 1: The color with index A in color palette 3 is set to the transparent color.
9	CP3I9	0	R/W	Yes	Color Palette 3 Index 9 0: The color with index 9 in color palette 3 is not set to the transparent color. 1: The color with index 9 in color palette 3 is set to the transparent color.
8	CP3I8	0	R/W	Yes	Color Palette 3 Index 8 0: The color with index 8 in color palette 3 is not set to the transparent color. 1: The color with index 8 in color palette 3 is set to the transparent color.
7	CP3I7	0	R/W	Yes	Color Palette 3 Index 7 0: The color with index 7 in color palette 3 is not set to the transparent color. 1: The color with index 7 in color palette 3 is set to the transparent color.
6	CP3I6	0	R/W	Yes	Color Palette 3 Index 6 0: The color with index 6 in color palette 3 is not set to the transparent color. 1: The color with index 6 in color palette 3 is set to the transparent color.

Bit	Bit Name	Initial Value	R/W	Internal Update	Description
5	CP3I5	0	R/W	Yes	Color Palette 3 Index 5 0: The color with index 5 in color palette 3 is not set to the transparent color. 1: The color with index 5 in color palette 3 is set to the transparent color.
4	CP3I4	0	R/W	Yes	Color Palette 3 Index 4 0: The color with index 4 in color palette 3 is not set to the transparent color. 1: The color with index 4 in color palette 3 is set to the transparent color.
3	CP3I3	0	R/W	Yes	Color Palette 3 Index 3 0: The color with index 3 in color palette 3 is not set to the transparent color. 1: The color with index 3 in color palette 3 is set to the transparent color.
2	CP3I2	0	R/W	Yes	Color Palette 3 Index 2 0: The color with index 2 in color palette 3 is not set to the transparent color. 1: The color with index 2 in color palette 3 is set to the transparent color.
1	CP3I1	0	R/W	Yes	Color Palette 3 Index 1 0: The color with index 1 in color palette 3 is not set to the transparent color. 1: The color with index 1 in color palette 3 is set to the transparent color.
0	CP3I0	0	R/W	Yes	Color Palette 3 Index 0 0: The color with index 0 in color palette 3 is not set to the transparent color. 1: The color with index 0 in color palette 3 is set to the transparent color.

19.3.26 Color Palette 4 Transparent Color Register (CP4TR)

The color palette 4 transparent color register (CP4TR) specifies the transparent color of color palette 4.

Bit:	31	30	29	28	27	26	25	24	23	22	21	20	19	18	17	16
	—	—	—	—	—	—	—	—	—	—	—	—	—	—	—	—
Initial value:	0	0	0	0	0	0	0	0	0	0	0	0	0	0	0	0
R/W:	R	R	R	R	R	R	R	R	R	R	R	R	R	R	R	R

Internal update:

Bit:	15	14	13	12	11	10	9	8	7	6	5	4	3	2	1	0
	CP4IF	CP4IE	CP4ID	CP4IC	CP4IB	CP4IA	CP4I9	CP4I8	CP4I7	CP4I6	CP4I5	CP4I4	CP4I3	CP4I2	CP4I1	CP4I0
Initial value:	0	0	0	0	0	0	0	0	0	0	0	0	0	0	0	0
R/W:	R/W	R/W	R/W	R/W	R/W	R/W	R/W	R/W	R/W	R/W	R/W	R/W	R/W	R/W	R/W	R/W
Internal update:	0	0	0	0	0	0	0	0	0	0	0	0	0	0	0	0

Bit	Bit Name	Initial Value	R/W	Internal Update	Description
31 to 16	—	All 0	R	—	Reserved These bits are always read as 0. The write value should always be 0.
15	CP4IF	0	R/W	Yes	Color Palette 4 Index F 0: The color with index F in color palette 4 is not set to the transparent color. 1: The color with index F in color palette 4 is set to the transparent color.
14	CP4IE	0	R/W	Yes	Color Palette 4 Index E 0: The color with index E in color palette 4 is not set to the transparent color. 1: The color with index E in color palette 4 is set to the transparent color.
13	CP4ID	0	R/W	Yes	Color Palette 4 Index D 0: The color with index D in color palette 4 is not set to the transparent color. 1: The color with index D in color palette 4 is set to the transparent color.

Bit	Bit Name	Initial Value	R/W	Internal Update	Description
12	CP4IC	0	R/W	Yes	Color Palette 4 Index C 0: The color with index C in color palette 4 is not set to the transparent color. 1: The color with index C in color palette 4 is set to the transparent color.
11	CP4IB	0	R/W	Yes	Color Palette 4 Index B 0: The color with index B in color palette 4 is not set to the transparent color. 1: The color with index B in color palette 4 is set to the transparent color.
10	CP4IA	0	R/W	Yes	Color Palette 4 Index A 0: The color with index A in color palette 4 is not set to the transparent color. 1: The color with index A in color palette 4 is set to the transparent color.
9	CP4I9	0	R/W	Yes	Color Palette 4 Index 9 0: The color with index 9 in color palette 4 is not set to the transparent color. 1: The color with index 9 in color palette 4 is set to the transparent color.
8	CP4I8	0	R/W	Yes	Color Palette 4 Index 8 0: The color with index 8 in color palette 4 is not set to the transparent color. 1: The color with index 8 in color palette 4 is set to the transparent color.
7	CP4I7	0	R/W	Yes	Color Palette 4 Index 7 0: The color with index 7 in color palette 4 is not set to the transparent color. 1: The color with index 7 in color palette 4 is set to the transparent color.
6	CP4I6	0	R/W	Yes	Color Palette 4 Index 6 0: The color with index 6 in color palette 4 is not set to the transparent color. 1: The color with index 6 in color palette 4 is set to the transparent color.

Bit	Bit Name	Initial Value	R/W	Internal Update	Description
5	CP4I5	0	R/W	Yes	Color Palette 4 Index 5 0: The color with index 5 in color palette 4 is not set to the transparent color. 1: The color with index 5 in color palette 4 is set to the transparent color.
4	CP4I4	0	R/W	Yes	Color Palette 4 Index 4 0: The color with index 4 in color palette 4 is not set to the transparent color. 1: The color with index 4 in color palette 4 is set to the transparent color.
3	CP4I3	0	R/W	Yes	Color Palette 4 Index 3 0: The color with index 3 in color palette 4 is not set to the transparent color. 1: The color with index 3 in color palette 4 is set to the transparent color.
2	CP4I2	0	R/W	Yes	Color Palette 4 Index 2 0: The color with index 2 in color palette 4 is not set to the transparent color. 1: The color with index 2 in color palette 4 is set to the transparent color.
1	CP4I1	0	R/W	Yes	Color Palette 4 Index 1 0: The color with index 1 in color palette 4 is not set to the transparent color. 1: The color with index 1 in color palette 4 is set to the transparent color.
0	CP4I0	0	R/W	Yes	Color Palette 4 Index 0 0: The color with index 0 in color palette 4 is not set to the transparent color. 1: The color with index 0 in color palette 4 is set to the transparent color.

19.3.27 Display Off Mode Output Register (DOOR)

The display off mode output register (DOOR) sets the display data output when the display is turned off. The value is retained during power-on reset and manual reset.

Bit:	31	30	29	28	27	26	25	24	23	22	21	20	19	18	17	16
	—	—	—	—	—	—	—	—	DOR						—	—
Initial value:	0	0	0	0	0	0	0	0	—	—	—	—	—	—	0	0
R/W:	R	R	R	R	R	R	R	R	R/W	R/W	R/W	R/W	R/W	R/W	R	R
Internal update:									0	0	0	0	0	0		
Bit:	15	14	13	12	11	10	9	8	7	6	5	4	3	2	1	0
	DOG						—	—	DOB						—	—
Initial value:	—	—	—	—	—	—	0	0	—	—	—	—	—	—	0	0
R/W:	R/W	R/W	R/W	R/W	R/W	R/W	R	R	R/W	R/W	R/W	R/W	R/W	R/W	R	R
Internal update:	0	0	0	0	0	0			0	0	0	0	0	0		

Bit	Bit Name	Initial Value	R/W	Internal Update	Description
31 to 24	—	All 0	R	—	Reserved These bits are always read as 0. The write value should always be 0.
23 to 18	DOR	Undefined	R/W	Yes	Display Off Mode Output Red Red-color display data for output when the display is off should be set.
17, 16	—	All 0	R	—	Reserved These bits are always read as 0. The write value should always be 0.
15 to 10	DOG	Undefined	R/W	Yes	Display Off Mode Output Green Green-color display data for output when the display is off should be set.
9, 8	—	All 0	R	—	Reserved These bits are always read as 0. The write value should always be 0.
7 to 2	DOB	Undefined	R/W	Yes	Display Off Mode Output Blue Blue-color display data for output when the display is off should be set.
1, 0	—	All 0	R	—	Reserved These bits are always read as 0. The write value should always be 0.

19.3.28 Color Detection Register (CDER)

The color detection register (CDER) sets the color for color detection.

When the display output data match the settings of this register, high level is output from the CDE pin. For information on the output color data format, please refer to section 19.4.6, Output Data Format.

The value is held during power-on reset and manual reset.

Bit:	31	30	29	28	27	26	25	24	23	22	21	20	19	18	17	16
	CDR															
Initial value:	0	0	0	0	0	0	0	0	—	—	—	—	—	—	0	0
R/W:	R	R	R	R	R	R	R	R	R/W	R/W	R/W	R/W	R/W	R/W	R	R
Internal update:									0	0	0	0	0	0		
Bit:	15	14	13	12	11	10	9	8	7	6	5	4	3	2	1	0
	CDG						CDB									
Initial value:	—	—	—	—	—	—	0	0	—	—	—	—	—	—	0	0
R/W:	R/W	R/W	R/W	R/W	R/W	R/W	R	R	R/W	R/W	R/W	R/W	R/W	R/W	R	R
Internal update:	0	0	0	0	0	0			0	0	0	0	0	0		

Bit	Bit Name	Initial Value	R/W	Internal Update	Description
31 to 24	—	All 0	R	—	Reserved These bits are always read as 0. The write value should always be 0.
23 to 18	CDR	Undefined	R/W	Yes	Color Detection Red Red-color data for color detection should be set.
17, 16	—	All 0	R	—	Reserved These bits are always read as 0. The write value should always be 0.
15 to 10	CDG	Undefined	R/W	Yes	Color Detection Green Green-color data for color detection should be set.
9, 8	—	All 0	R	—	Reserved These bits are always read as 0. The write value should always be 0.
7 to 2	CDB	Undefined	R/W	Yes	Color Detection Blue Blue-color data for color detection should be set.

Bit	Bit Name	Initial Value	R/W	Internal Update	Description
1, 0	—	All 0	R	—	Reserved These bits are always read as 0. The write value should always be 0.

19.3.29 Background Plane Output Register (BPOR)

The background plane output register (BPOR) sets the color for display when there is no plane for display, due to the display size or to a transparent color, etc. For detailed conditions, refer to section 19.4.2, Display On/Off. The value is retained during power-on reset and manual reset.

Bit:	31	30	29	28	27	26	25	24	23	22	21	20	19	18	17	16	
	—	—	—	—	—	—	—	—	BPOR						—	—	
Initial value:	0	0	0	0	0	0	0	0	—	—	—	—	—	—	—	0	0
R/W:	R	R	R	R	R	R	R	R	R/W	R/W	R/W	R/W	R/W	R/W	R/W	R	R
Internal update:									0	0	0	0	0	0			
Bit:	15	14	13	12	11	10	9	8	7	6	5	4	3	2	1	0	
	BPOG						—	—	BPOB						—	—	
Initial value:	—	—	—	—	—	—	0	0	—	—	—	—	—	—	—	0	0
R/W:	R/W	R/W	R/W	R/W	R/W	R/W	R	R	R/W	R/W	R/W	R/W	R/W	R/W	R/W	R	R
Internal update:	0	0	0	0	0	0			0	0	0	0	0	0			

Bit	Bit Name	Initial Value	R/W	Internal Update	Description
31 to 24	—	All 0	R	—	Reserved These bits are always read as 0. The write value should always be 0.
23 to 18	BPOR	Undefined	R/W	Yes	Background Plane Output Red The red-color display data to be output when there is no plane for display should be set.
17, 16	—	All 0	R	—	Reserved These bits are always read as 0. The write value should always be 0.
15 to 10	BPOG	Undefined	R/W	Yes	Background Plane Output Green The green-color display data to be output when there is no plane for display should be set.

Bit	Bit Name	Initial Value	R/W	Internal Update	Description
9, 8	—	All 0	R	—	Reserved These bits are always read as 0. The write value should always be 0.
7 to 2	BPOB	Undefined	R/W	Yes	Background Plane Output Blue The blue-color display data to be output when there is no plane for display should be set.
1, 0	—	All 0	R	—	Reserved These bits are always read as 0. The write value should always be 0.

19.3.30 Raster Interrupt Offset Register (RINTOFSR)

The raster interrupt offset register (RINTOFSR) sets the raster offset value for raster interrupts.

The value is retained during power-on reset and manual reset.

Bit:	31	30	29	28	27	26	25	24	23	22	21	20	19	18	17	16
	—	—	—	—	—	—	—	—	—	—	—	—	—	—	—	—
Initial value:	0	0	0	0	0	0	0	0	0	0	0	0	0	0	0	0
R/W:	R	R	R	R	R	R	R	R	R	R	R	R	R	R	R	R
Internal update:																
Bit:	15	14	13	12	11	10	9	8	7	6	5	4	3	2	1	0
	—	—	—	—	—	—	RINTOFS									
Initial value:	0	0	0	0	0	0	—	—	—	—	—	—	—	—	—	—
R/W:	R	R	R	R	R	R	R/W	R/W	R/W	R/W	R/W	R/W	R/W	R/W	R/W	R/W
Internal update:							O	O	O	O	O	O	O	O	O	O

Bit	Bit Name	Initial Value	R/W	Internal Update	Description
31 to 10	—	All 0	R	—	Reserved These bits are always read as 0. The write value should always be 0.
9 to 0	RINTOFS	Undefined	R/W	Yes	Raster Interrupt Offset The raster offset value should be set, with reference to the number of raster lines set in VDSR. If the offset value is n, then after horizontal display interval of the (VDS + n)th raster line, the RINT bit in DSSR is set to 1 at the falling edge of HSYNC.

19.3.31 Plane n Mode Register (PnMR) (n = 1 to 6)

The plane n mode registers (PnMR, n = 1 to 6) set the display operation for plane n.

Bit:	31	30	29	28	27	26	25	24	23	22	21	20	19	18	17	16
	—	—	—	—	—	—	—	—	—	—	—	PnYCDF	—	—	PnTC	PnWAE
Initial value:	0	0	0	0	0	0	0	0	0	0	0	0	0	0	0	0
R/W:	R	R	R	R	R	R	R	R	R	R	R	R/W	R	R	R/W	R/W
Internal update:												O			O	O
Bit:	15	14	13	12	11	10	9	8	7	6	5	4	3	2	1	0
	—	PnSPIIM			—	—	PnCPSL		PnDC	—	PnBM		—	—	PnDDF	
Initial value:	0	0	0	0	0	0	0	0	0	0	0	0	0	0	0	0
R/W:	R	R/W	R/W	R/W	R	R	R/W	R/W	R/W	R	R/W	R/W	R	R	R/W	R/W
Internal update:		O	O	O			O	O	O		O	O			O	O

Bit	Bit Name	Initial Value	R/W	Internal Update	Description
31 to 21	—	All 0	R	—	Reserved These bits are always read as 0. The write value should always be 0.
20	PnYCDF	0	R/W	Yes	Plane n YC Data Format 0: Sets the order of YC data to UYVY format. 1: Sets the order of YC data to YUYV format.
19, 18	—	All 0	R	—	Reserved These bits are always read as 0. The write value should always be 0.
17	PnTC	0	R/W	Yes	Plane n Transparent Color 0: When set to 8 bits/pixel display, the transparent color is the color set in the plane n transparent color 1 register (PnTC1R) 1: When set to 8 bits/pixel display, any of the transparent colors set in CP1TR to CP4TR can be a transparent color CP1TR to CP4TR to be used are determined by the setting of the PnCPSL bit.
16	PnWAE	0	R/W	Yes	Plane n Wrap Around Enable 0: Wraparound is not performed for plane n 1: Wraparound is performed for plane n
15	—	0	R	—	Reserved This bit is always read as 0. The write value should always be 0.

Bit	Bit Name	Initial Value	R/W	Internal Update	Description
14 to 12	PnSPIM	0	R/W	Yes	<p>Plane n Super Impose Mode</p> <p>000: Transparent color processing is performed for plane n. When plane n is in the transparent color, the lower plane is displayed.</p> <p>001: Blending of plane n and the lower plane is performed. When plane n is the transparent color blending is not performed, and the lower plane is displayed.</p> <p>010: An EOR operation is performed on plane n and the lower plane. When plane n is the transparent color the EOR operation is not performed, and the lower plane is displayed.</p> <p>011: Setting prohibited</p> <p>100: Transparent color processing is not performed for plane n. Plane n is displayed.</p> <p>101: Blending of plane n and the lower plane is performed. The transparent color specification for plane n is ignored, and blending is performed between all the pixels of plane n and the lower plane.</p> <p>110: An EOR operation is performed on plane n and the lower plane. The transparent color specification for plane n is ignored, and EOR operation is performed on all the pixels of plane n and the lower plane.</p> <p>111: Setting prohibited</p>
11, 10	—	All 0	R	—	<p>Reserved</p> <p>These bits are always read as 0. The write value should always be 0.</p>

Bit	Bit Name	Initial Value	R/W	Internal Update	Description
9, 8	PnCPSL	0	R/W	Yes	Plane n Color Palette Select When the PnDDF bit is set to 8 bits/pixel, specifies the color palette to be used. 00: Selects the color palette 1 01: Selects the color palette 2 10: Selects the color palette 3 11: Selects the color palette 4
7	PnDC	0	R/W	Yes	Plane n Display Area Change Controls switching of the frame buffer in manual display change mode. 0: In manual display change mode, switching of the frame buffer for display is not performed. 1: In manual display change mode, switching of the frame buffer for display is performed. When the PnDC bit is 0, bit setting is possible. Switching is performed in frame units. After frame buffer switching (after vertical blanking detection), this bit is cleared to 0.
6	—	0	R	—	Reserved This bit is always read as 0. The write value should always be 0.
5, 4	PnBM	0	R/W	Yes	Plane n Buffer Mode When set to manual display change mode or auto display change mode (blinking mode), double buffer control is performed using PnDSA0R and PnDSA1R. 00: Manual display change mode 01: Setting prohibited 10: Auto display change mode (blinking mode) 11: Setting prohibited
3, 2	—	All 0	R	—	Reserved These bits are always read as 0. The write value should always be 0.
1, 0	PnDDF	0	R/W	Yes	Plane n Display Data Format 00: 8 bits/pixel 01: 16 bits/pixel 10: ARGB 11: YC (YUV422 is converted to RGB888)

19.3.32 Plane n Memory Width Register (PnMWR) (n = 1 to 6)

The plane n memory width registers (PnMWR, n = 1 to 6) set the memory width for plane n.

The value is retained during power-on reset and manual reset.

Bit:	31	30	29	28	27	26	25	24	23	22	21	20	19	18	17	16
	—	—	—	—	—	—	—	—	—	—	—	—	—	—	—	—
Initial value:	0	0	0	0	0	0	0	0	0	0	0	0	0	0	0	0
R/W:	R	R	R	R	R	R	R	R	R	R	R	R	R	R	R	R
Internal update:																
Bit:	15	14	13	12	11	10	9	8	7	6	5	4	3	2	1	0
	—	—	—	PnMWX								—	—	—	—	
Initial value:	0	0	0	—	—	—	—	—	—	—	—	—	0	0	0	0
R/W:	R	R	R	R/W	R/W	R/W	R/W	R/W	R/W	R/W	R/W	R/W	R	R	R	R
Internal update:				O	O	O	O	O	O	O	O					

Bit	Bit Name	Initial Value	R/W	Internal Update	Description
31 to 13	—	All 0	R	—	Reserved These bits are always read as 0. The write value should always be 0.
12 to 4	PnMWX	Undefined	R/W	Yes	Plane n Memory Width X The plane n memory width should be set in the range 16 pixels to 4096 pixels, in 16-pixel units.
3 to 0	—	All 0	R	—	Reserved These bits are always read as 0. The write value should always be 0.

19.3.33 Plane n Blending Ratio Register (PnALPHAR) (n = 1 to 6)

The plane n blending ratio registers (PnALPHAR, n = 1 to 6) set the blend ratios and blend ratio selection for plane n.

Bit:	31	30	29	28	27	26	25	24	23	22	21	20	19	18	17	16
	—	—	—	—	—	—	—	—	—	—	—	—	—	—	—	—
Initial value:	0	0	0	0	0	0	0	0	0	0	0	0	0	0	0	0
R/W:	R	R	R	R	R	R	R	R	R	R	R	R	R	R	R	R
Internal update:																
Bit:	15	14	13	12	11	10	9	8	7	6	5	4	3	2	1	0
	—	—	—	—	—	—	PnBRSL		PnALPHA							
Initial value:	0	0	0	0	0	0	0	0	—	—	—	—	—	—	—	—
R/W:	R	R	R	R	R	R	R/W	R/W	R/W	R/W	R/W	R/W	R/W	R/W	R/W	R/W
Internal update:							O	O	O	O	O	O	O	O	O	O

Bit	Bit Name	Initial Value	R/W	Internal Update	Description
31 to 10	—	All 0	R	—	Reserved These bits are always read as 0. The write value should always be 0.

Bit	Bit Name	Initial Value	R/W	Internal Update	Description
9, 8	PnBRSL	0	R/W	Yes	<p>Plane n Blending Ratio Select</p> <p>This bit is valid when the following two conditions are satisfied.</p> <ul style="list-style-type: none"> When the PnSPIM bit in PnMR specifies blending. When the ABRE bit in DEFR is set to 1. <p>00: The PnALPHA bits in this register are taken to be the blend ratio.</p> <p>01: Setting prohibited</p> <p>10: Bits 31 to 24 of the color palette register specified by the PnCPSL bit in PnMR are taken to be the blend ratio.</p> <p>Note: Enabled only when the display data format specified by the PnDDF bit in PnMR is 8 bits/pixel. For formats other than 8 bits/pixel, the blend ratio is determined by the PnALPHA bits in this register.</p> <p>11: The display data for the plane specified by bits 2 to 0 of the PnALPHA bits in this register is taken to be the blend ratio.</p> <ul style="list-style-type: none"> Bits 2 to 0 = 000: Display data for plane 1 is the blend ratio Bits 2 to 0 = 001: Display data for plane 2 is the blend ratio Bits 2 to 0 = 010: Display data for plane 3 is the blend ratio Bits 2 to 0 = 011: Display data for plane 4 is the blend ratio Bits 2 to 0 = 100: Display data for plane 5 is the blend ratio Bits 2 to 0 = 101: Display data for plane 6 is the blend ratio <p>Notes: 1. When the register's own plane is specified, the PnALPHA bits in this register are taken to be the blend ratio.</p> <p>2. The specified plane should satisfy the following conditions. If the conditions are not satisfied, the blend ratio is undefined.</p> <ul style="list-style-type: none"> The display should be turned on using DPPR. The display data format should be set to 8 bits/pixel. The display size (plane n display size X register (PnDSXR), plane n display size Y register (PnDSYR)) should be set equal to or greater than the size of the plane forth is register. The display position (plane n display position X register (PnDPXR), plane n display position Y register (PnDPYR)) should be the same as for the plane of this register.

Bit	Bit Name	Initial Value	R/W	Internal Update	Description
7 to 0	PnALPHA	Undefined	R/W	Yes	Plane n Blending Ratio The alpha value (α) which is the blend ratio for plane n should be set. Blending result = $(\alpha \times \text{plane } n + (\text{H}'100 - \alpha) \times \text{lower plane}) / \text{H}'100$ Note: Blending result, α , plane n, and lower plane in the above formula are all 8-bit data.

19.3.34 Plane n Display Size X Register (PnDSXR) (n = 1 to 6)

The plane n display size X registers (PnDSXR, n = 1 to 6) set the display size in the horizontal direction of plane n. The value is retained during power-on reset and manual reset.

Bit:	31	30	29	28	27	26	25	24	23	22	21	20	19	18	17	16
	—	—	—	—	—	—	—	—	—	—	—	—	—	—	—	—
Initial value:	0	0	0	0	0	0	0	0	0	0	0	0	0	0	0	0
R/W:	R	R	R	R	R	R	R	R	R	R	R	R	R	R	R	R
Internal update:																
Bit:	15	14	13	12	11	10	9	8	7	6	5	4	3	2	1	0
	—	—	—	—	—	PnDSX										
Initial value:	0	0	0	0	0	—	—	—	—	—	—	—	—	—	—	—
R/W:	R	R	R	R	R	R/W	R/W	R/W	R/W	R/W	R/W	R/W	R/W	R/W	R/W	R/W
Internal update:						O	O	O	O	O	O	O	O	O	O	O

Bit	Bit Name	Initial Value	R/W	Internal Update	Description
31 to 11	—	All 0	R	—	Reserved These bits are always read as 0. The write value should always be 0.
10 to 0	PnDSX	Undefined	R/W	Yes	Plane n Display Size X The horizontal-direction display size of plane n should be set in dot clock units. Note: When YC is set by the PnDDF bit in PnMR, this value should be set to an even number.

19.3.35 Plane n Display Size Y Register (PnDSYR) (n = 1 to 6)

The plane n display size Y registers (PnDSYR, n = 1 to 6) set the display size in the vertical direction for plane n. The value is retained during power-on reset and manual reset.

Bit:	31	30	29	28	27	26	25	24	23	22	21	20	19	18	17	16
	—	—	—	—	—	—	—	—	—	—	—	—	—	—	—	—
Initial value:	0	0	0	0	0	0	0	0	0	0	0	0	0	0	0	0
R/W:	R	R	R	R	R	R	R	R	R	R	R	R	R	R	R	R
Internal update:																
Bit:	15	14	13	12	11	10	9	8	7	6	5	4	3	2	1	0
	—	—	—	—	—	—	PnDSY									
Initial value:	0	0	0	0	0	0	—	—	—	—	—	—	—	—	—	—
R/W:	R	R	R	R	R	R	R/W	R/W	R/W	R/W	R/W	R/W	R/W	R/W	R/W	R/W
Internal update:							0	0	0	0	0	0	0	0	0	0

Bit	Bit Name	Initial Value	R/W	Internal Update	Description
31 to 10	—	All 0	R	—	Reserved These bits are always read as 0. The write value should always be 0.
9 to 0	PnDSY	Undefined	R/W	Yes	Plane n Display Size Y The vertical-direction display size of plane n should be set in raster line units.

19.3.36 Plane n Display Position X Register (PnDPXR) (n = 1 to 6)

The plane n display position X registers (PnDPXR, n = 1 to 6) set the horizontal start positions on the display monitor for plane n. The value is retained during power-on reset and manual reset.

Bit:	31	30	29	28	27	26	25	24	23	22	21	20	19	18	17	16
	—	—	—	—	—	—	—	—	—	—	—	—	—	—	—	—
Initial value:	0	0	0	0	0	0	0	0	0	0	0	0	0	0	0	0
R/W:	R	R	R	R	R	R	R	R	R	R	R	R	R	R	R	R
Internal update:																
Bit:	15	14	13	12	11	10	9	8	7	6	5	4	3	2	1	0
	—	—	—	—	—	PnDPX										
Initial value:	0	0	0	0	0	—	—	—	—	—	—	—	—	—	—	—
R/W:	R	R	R	R	R	R/W	R/W	R/W	R/W	R/W	R/W	R/W	R/W	R/W	R/W	R/W
Internal update:						O	O	O	O	O	O	O	O	O	O	O

Bit	Bit Name	Initial Value	R/W	Internal Update	Description
31 to 11	—	All 0	R	—	Reserved These bits are always read as 0. The write value should always be 0.
10 to 0	PnDPX	Undefined	R/W	Yes	Plane n Display Position X The horizontal start position on the display monitor of plane n should be set in dot clock units, taking as the origin the upper-left corner of the display monitor.

19.3.37 Plane n Display Position Y Register (PnDPYR) (n = 1 to 6)

The plane n display position Y registers (PnDPYR, n = 1 to 6) set the vertical start position on the display monitor of plane n. The value is retained during power-on reset and manual reset.

Bit:	31	30	29	28	27	26	25	24	23	22	21	20	19	18	17	16
	—	—	—	—	—	—	—	—	—	—	—	—	—	—	—	—
Initial value:	0	0	0	0	0	0	0	0	0	0	0	0	0	0	0	0
R/W:	R	R	R	R	R	R	R	R	R	R	R	R	R	R	R	R
Internal update:																
Bit:	15	14	13	12	11	10	9	8	7	6	5	4	3	2	1	0
	—	—	—	—	—	—	PnDPY									
Initial value:	0	0	0	0	0	0	—	—	—	—	—	—	—	—	—	—
R/W:	R	R	R	R	R	R	R/W	R/W	R/W	R/W	R/W	R/W	R/W	R/W	R/W	R/W
Internal update:							0	0	0	0	0	0	0	0	0	0

Bit	Bit Name	Initial Value	R/W	Internal Update	Description
31 to 10	—	All 0	R	—	Reserved These bits are always read as 0. The write value should always be 0.
9 to 0	PnDPY	Undefined	R/W	Yes	Plane n Display Position Y The vertical start position on the display monitor of plane n should be set in raster line units, taking as the origin the upper-left corner of the display monitor.

19.3.38 Plane n Display Area Start Address 0 Register (PnDSA0R) (n = 1 to 6)

The plane n display area start address 0 registers (PnDSA0R, n = 1 to 6) set the memory area in frame buffer 0 for plane n. The value is retained during power-on reset and manual reset.

Bit:	31	30	29	28	27	26	25	24	23	22	21	20	19	18	17	16	
	PnDSA0																
Initial value:	—	—	—	—	—	—	—	—	—	—	—	—	—	—	—	—	
R/W:	R/W	R/W	R/W	R/W	R/W	R/W	R/W	R/W	R/W	R/W	R/W	R/W	R/W	R/W	R/W	R/W	
Internal update:	0	0	0	0	0	0	0	0	0	0	0	0	0	0	0	0	
Bit:	15	14	13	12	11	10	9	8	7	6	5	4	3	2	1	0	
	PnDSA0												—	—	—	—	
Initial value:	—	—	—	—	—	—	—	—	—	—	—	—	—	0	0	0	0
R/W:	R/W	R/W	R/W	R/W	R/W	R/W	R/W	R/W	R/W	R/W	R/W	R/W	R/W	R	R	R	R
Internal update:	0	0	0	0	0	0	0	0	0	0	0	0	0				

Bit	Bit Name	Initial Value	R/W	Internal Update	Description
31 to 4	PnDSA0	Undefined	R/W	Yes	<p>Plane n Display Area Start Address 0</p> <p>To enable the 31 to 29 bits, the DSAE bit in DEFR should be set to 1.</p> <p>In the initial state the bits are not enabled, and are fixed at 0.</p> <p>When the buffer mode for plane n is manual display change mode or auto display change mode, the buffer is used as frame buffer 0.</p> <p>Note: In 32-bit address extended mode, when the 31 to 29 bits in this register are disabled, of the lower 29 bits in a specified 32-bit physical address, a 25-bit address (A28 to A4) is specified in the 28 to 4 bits.</p>
3 to 0	—	All 0	R	—	<p>Reserved</p> <p>These bits are always read as 0. The write value should always be 0.</p>

19.3.39 Plane n Display Area Start Address 1 Register (PnDSA1R) (n = 1 to 6)

The plane n display area start address 1 registers (PnDSA1R, n = 1 to 6) set the memory area in frame buffer 1 for plane n. The value is retained during power-on reset and manual reset.

Bit:	31	30	29	28	27	26	25	24	23	22	21	20	19	18	17	16
	PnDSA1															
Initial value:	—	—	—	—	—	—	—	—	—	—	—	—	—	—	—	—
R/W:	R/W	R/W	R/W	R/W	R/W	R/W	R/W	R/W	R/W	R/W	R/W	R/W	R/W	R/W	R/W	R/W
Internal update:	O	O	O	O	O	O	O	O	O	O	O	O	O	O	O	O
Bit:	15	14	13	12	11	10	9	8	7	6	5	4	3	2	1	0
	PnDSA1												—	—	—	—
Initial value:	—	—	—	—	—	—	—	—	—	—	—	—	0	0	0	0
R/W:	R/W	R/W	R/W	R/W	R/W	R/W	R/W	R/W	R/W	R/W	R/W	R/W	R	R	R	R
Internal update:	O	O	O	O	O	O	O	O	O	O	O	O				

Bit	Bit Name	Initial Value	R/W	Internal Update	Description
31 to 4	PnDSA1	Undefined	R/W	Yes	<p>Plane n Display Area Start Address 1</p> <p>To enable the 31 to 29 bits, the DSAE bit in DEFR should be set to 1.</p> <p>In the initial state the bits are not enabled, and are fixed at 0.</p> <p>When the buffer mode for plane n is manual display change mode or auto display change mode, the buffer is used as frame buffer 1.</p> <p>Note: In 32-bit address extended mode, when the 31 to 29 bits in this register are disabled, of the lower 29 bits of a specified 32-bit physical address, a 25-bit address (A28 to A4) is specified in the 28 to 4 bits.</p>
3 to 0	—	All 0	R	—	<p>Reserved</p> <p>These bits are always read as 0. The write value should always be 0.</p>

19.3.40 Plane n Start Position X Register (PnSPXR) (n = 1 to 6)

The plane n start position X registers (PnSPXR, n = 1 to 6) set the horizontal start position of plane n in memory. The value is retained during power-on reset and manual reset.

Bit:	31	30	29	28	27	26	25	24	23	22	21	20	19	18	17	16
	—	—	—	—	—	—	—	—	—	—	—	—	—	—	—	—
Initial value:	0	0	0	0	0	0	0	0	0	0	0	0	0	0	0	0
R/W:	R	R	R	R	R	R	R	R	R	R	R	R	R	R	R	R
Internal update:																
Bit:	15	14	13	12	PnSPX											
	—	—	—	—												
Initial value:	0	0	0	0	—	—	—	—	—	—	—	—	—	—	—	—
R/W:	R	R	R	R	R/W	R/W	R/W	R/W	R/W	R/W	R/W	R/W	R/W	R/W	R/W	R/W
Internal update:					O	O	O	O	O	O	O	O	O	O	O	O

Bit	Bit Name	Initial Value	R/W	Internal Update	Description
31 to 12	—	All 0	R	—	Reserved These bits are always read as 0. The write value should always be 0.
11 to 0	PnSPX	Undefined	R/W	Yes	Plane n Start Position X The horizontal start position of plane n in memory should be set in dot units. Notes: 1. When YC is set by the PnDDF bit in PnMR, an even value should be set. 2. Setting of values exceeding twice the value of the plane n memory width X register (PnMWX) is prohibited.

19.3.41 Plane n Start Position Y Register (PnSPYR) (n = 1 to 6)

The plane n start position Y registers (PnSPYR, n = 1 to 6) set the vertical start position of plane n in memory. The value is retained during power-on reset and manual reset.

Bit:	31	30	29	28	27	26	25	24	23	22	21	20	19	18	17	16
	—	—	—	—	—	—	—	—	—	—	—	—	—	—	—	—
Initial value:	0	0	0	0	0	0	0	0	0	0	0	0	0	0	0	0
R/W:	R	R	R	R	R	R	R	R	R	R	R	R	R	R	R	R
Internal update:																
Bit:	15	14	13	12	11	10	9	8	7	6	5	4	3	2	1	0
	PnSPY															
Initial value:	—	—	—	—	—	—	—	—	—	—	—	—	—	—	—	—
R/W:	R/W	R/W	R/W	R/W	R/W	R/W	R/W	R/W	R/W	R/W	R/W	R/W	R/W	R/W	R/W	R/W
Internal update:	O	O	O	O	O	O	O	O	O	O	O	O	O	O	O	O

Bit	Bit Name	Initial Value	R/W	Internal Update	Description
31 to 16	—	All 0	R	—	Reserved These bits are always read as 0. The write value should always be 0.
15 to 0	PnSPY	Undefined	R/W	Yes	Plane n Start Position Y The vertical start position of plane n in memory should be set in raster line units. Note: Setting a value exceeding {twice the plane n wrap-around start position Y (PnWASPY) + twice the plane n wrap-around memory width Y (PnWAMWY)} is prohibited.

19.3.42 Plane n Wrap Around Start Position Register (PnWASPR) (n = 1 to 6)

The plane n wrap-around start position registers (PnWASPR, n = 1 to 6) set the Y direction start position of one wrap-around area of plane n. The value is retained during power-on reset and manual reset.

Bit:	31	30	29	28	27	26	25	24	23	22	21	20	19	18	17	16
	—	—	—	—	—	—	—	—	—	—	—	—	—	—	—	—
Initial value:	0	0	0	0	0	0	0	0	0	0	0	0	0	0	0	0
R/W:	R	R	R	R	R	R	R	R	R	R	R	R	R	R	R	R
Internal update:																
Bit:	15	14	13	12	11	10	9	8	7	6	5	4	3	2	1	0
	—	—	PnWASPY										—	—	—	—
Initial value:	0	0	—	—	—	—	—	—	—	—	—	—	0	0	0	0
R/W:	R	R	R/W	R/W	R/W	R/W	R/W	R/W	R/W	R/W	R/W	R/W	R	R	R	R
Internal update:			O	O	O	O	O	O	O	O	O	O				

Bit	Bit Name	Initial Value	R/W	Internal Update	Description
31 to 14	—	All 0	R	—	Reserved These bits are always read as 0. The write value should always be 0.
13 to 4	PnWASPY	Undefined	R/W	Yes	Plane n Wrap Around Start Position Y The Y direction start position of one wrap-around area should be set with reference to the address specified in PnDSA0R and PnDSA1R. The start position can be set every 16 raster lines.
3 to 0	—	All 0	R	—	Reserved These bits are always read as 0. The write value should always be 0.

19.3.43 Plane n Wrap Around Memory Width Register (PnWAMWR) (n = 1 to 6)

The plane n wrap-around memory width registers (PnWAMWR, n = 1 to 6) set the wrap-around Y-direction memory width for plane n. The value is retained during power-on reset and manual reset.

Bit:	31	30	29	28	27	26	25	24	23	22	21	20	19	18	17	16
	—	—	—	—	—	—	—	—	—	—	—	—	—	—	—	—
Initial value:	0	0	0	0	0	0	0	0	0	0	0	0	0	0	0	0
R/W:	R	R	R	R	R	R	R	R	R	R	R	R	R	R	R	R
Internal update:																
Bit:	15	14	13	12	11	10	9	8	7	6	5	4	3	2	1	0
	—	—	—	—	PnWAMWY											
Initial value:	0	0	0	0	—	—	—	—	—	—	—	—	—	—	—	—
R/W:	R	R	R	R	R/W	R/W	R/W	R/W	R/W	R/W	R/W	R/W	R/W	R/W	R/W	R/W
Internal update:					O	O	O	O	O	O	O	O	O	O	O	O

Bit	Bit Name	Initial Value	R/W	Internal Update	Description
31 to 12	—	All 0	R	—	Reserved These bits are always read as 0. The write value should always be 0.
11 to 0	PnWAMWY	Undefined	R/W	Yes	Plane n Wrap Around Memory Width Y The wrap-around Y-direction memory width should be set in the range 240 to 4095 raster lines, in raster line units.

19.3.44 Plane n Blinking Time Register (PnBTR) (n = 1 to 6)

The plane n blinking time registers (PnBTR, n = 1 to 6) set the display interval length for plane n.

When the PnBM bit in PnMR is set to the auto display change mode (blinking mode), by setting, in this register, the length of the interval of display of PnDSA0R and PnDSA1R, blinking operation is performed using PnDSA0R and PnDSA1R.

When 1 is set, PnDSA0R and PnDSA1R are switched for each field.

When 0 is set, operation is the same as when set to 1.

Bit:	31	30	29	28	27	26	25	24	23	22	21	20	19	18	17	16
	—	—	—	—	—	—	—	—	—	—	—	—	—	—	—	—
Initial value:	0	0	0	0	0	0	0	0	0	0	0	0	0	0	0	0
R/W:	R	R	R	R	R	R	R	R	R	R	R	R	R	R	R	R
Internal update:																
Bit:	15	14	13	12	11	10	9	8	7	6	5	4	3	2	1	0
	PnBTA								PnBTB							
Initial value:	0	0	0	0	0	0	0	1	0	0	0	0	0	0	0	1
R/W:	R/W	R/W	R/W	R/W	R/W	R/W	R/W	R/W	R/W	R/W	R/W	R/W	R/W	R/W	R/W	R/W
Internal update:	O	O	O	O	O	O	O	O	O	O	O	O	O	O	O	O

Bit	Bit Name	Initial Value	R/W	Internal Update	Description
31 to 16	—	All 0	R	—	Reserved These bits are always read as 0. The write value should always be 0.
15 to 8	PnBTA	H'01	R/W	Yes	Plane n Blinking Time A The length of the interval of display of PnDSA0R should be set in field units.
7 to 0	PnBTB	H'01	R/W	Yes	Plane n Blinking Time B The length of the interval of display of PnDSA1R should be set in field units.

19.3.45 Plane n Transparent Color 1 Register (PnTC1R) (n = 1 to 6)

The plane n transparent color 1 registers (PnTC1R, n = 1 to 6) set a transparent color for plane n, in 8 bits/pixel data format. The value is retained during power-on reset and manual reset.

Bit:	31	30	29	28	27	26	25	24	23	22	21	20	19	18	17	16
	—	—	—	—	—	—	—	—	—	—	—	—	—	—	—	—
Initial value:	0	0	0	0	0	0	0	0	0	0	0	0	0	0	0	0
R/W:	R	R	R	R	R	R	R	R	R	R	R	R	R	R	R	R
Internal update:																
Bit:	15	14	13	12	11	10	9	8	7	6	5	4	3	2	1	0
	—	—	—	—	—	—	—	—	PnTC1							
Initial value:	0	0	0	0	0	0	0	0	—	—	—	—	—	—	—	—
R/W:	R	R	R	R	R	R	R	R	R/W	R/W	R/W	R/W	R/W	R/W	R/W	R/W
Internal update:									0	0	0	0	0	0	0	0

Bit	Bit Name	Initial Value	R/W	Internal Update	Description
31 to 8	—	All 0	R	—	Reserved These bits are always read as 0. The write value should always be 0.
7 to 0	PnTC1	Undefined	R/W	Yes	Plane n Transparent Color 1 A transparent color for plane n in 8 bits/pixel data format should be set. In order to render valid the transparent color set in this register, the PnTC bit in PnMR should be set to 0.

19.3.46 Plane n Transparent Color 2 Register (PnTC2R) (n = 1 to 6)

The plane n transparent color 2 registers (PnTC2R, n = 1 to 6) set a transparent color for plane n in the 16 bits/pixel, ARGB data format. The value is retained during power-on reset and manual reset.

Bit:	31	30	29	28	27	26	25	24	23	22	21	20	19	18	17	16
	—	—	—	—	—	—	—	—	—	—	—	—	—	—	—	—
Initial value:	0	0	0	0	0	0	0	0	0	0	0	0	0	0	0	0
R/W:	R	R	R	R	R	R	R	R	R	R	R	R	R	R	R	R
Internal update:																
Bit:	15	14	13	12	11	10	9	8	7	6	5	4	3	2	1	0
	PnTC2															
Initial value:	—	—	—	—	—	—	—	—	—	—	—	—	—	—	—	—
R/W:	R/W	R/W	R/W	R/W	R/W	R/W	R/W	R/W	R/W	R/W	R/W	R/W	R/W	R/W	R/W	R/W
Internal update:	O	O	O	O	O	O	O	O	O	O	O	O	O	O	O	O

Bit	Bit Name	Initial Value	R/W	Internal Update	Description
31 to 16	—	All 0	R	—	Reserved These bits are always read as 0. The write value should always be 0.
15 to 0	PnTC2	Undefined	R/W	Yes	Plane n Transparent Color 2 A transparent color for plane n in the 16 bits/pixel, ARGB data format should be set. In the case of ARGB, bits 14 to 0 of this register are compared, and bit 15 is ignored.

19.3.47 Plane n Memory Length Register (PnMLR) (n = 1 to 6)

The plane n memory length registers (PnMLR, n = 1 to 6) set the memory length (Y-direction memory area) for plane n.

Bit:	31	30	29	28	27	26	25	24	23	22	21	20	19	18	17	16
	—	—	—	—	—	—	—	—	—	—	—	—	—	—	—	PnMLY
Initial value:	0	0	0	0	0	0	0	0	0	0	0	0	0	0	0	0
R/W:	R	R	R	R	R	R	R	R	R	R	R	R	R	R	R	R/W
Internal update:																0
Bit:	15	14	13	12	11	10	9	8	7	6	5	4	3	2	1	0
	PnMLY															
Initial value:	0	0	0	0	0	0	0	0	0	0	0	0	0	0	0	0
R/W:	R/W	R/W	R/W	R/W	R/W	R/W	R/W	R/W	R/W	R/W	R/W	R/W	R/W	R/W	R/W	R/W
Internal update:	0	0	0	0	0	0	0	0	0	0	0	0	0	0	0	0

Bit	Bit Name	Initial Value	R/W	Internal Update	Description
31 to 17	—	All 0	R	—	Reserved These bits are always read as 0. The write value should always be 0.
16 to 0	PnMLY	0	R/W	Yes	Plane n Memory Length Y The memory length (Y-direction memory area) for plane n should be set in raster line units. When the display exceeds this area, the display data becomes the data for BPOR. When the setting is 0, the area is handled as an infinite area, and so the display data is never the background color register data.

19.3.48 Color Palette 1 Register 000 to 255 (CP1_000R to CP1_255R)

The color palette 1 registers 000 to 255 (CP1_000R to CP1_255R) are a group of 256 registers which set six bits for each of the RGB components of a color, and are used as a color palette capable of displaying 256 colors among 260,000 possible colors. Bits 31 to 24 are used as a blend ratio. The values are valid for 8 bits/pixel data display.

For details of color palette operation, refer to section 19.4.8, Color Palettes.

Values are retained during power-on reset and manual reset.

Bit:	31	30	29	28	27	26	25	24	23	22	21	20	19	18	17	16	
	CP1_000A to CP1_255A								CP1_000R to CP1_255R						—	—	
Initial value:	—	—	—	—	—	—	—	—	—	—	—	—	—	—	0	0	
R/W:	R/W	R/W	R/W	R/W	R/W	R/W	R/W	R/W	R/W	R/W	R/W	R/W	R/W	R/W	R	R	
Internal update:	0	0	0	0	0	0	0	0	0	0	0	0	0	0			
Bit:	15	14	13	12	11	10	9	8	7	6	5	4	3	2	1	0	
	CP1_000G to CP1_255G							—	—	CP1_000B to CP1_255B						—	—
Initial value:	—	—	—	—	—	—	0	0	—	—	—	—	—	—	0	0	
R/W:	R/W	R/W	R/W	R/W	R/W	R/W	R	R	R/W	R/W	R/W	R/W	R/W	R/W	R	R	
Internal update:	0	0	0	0	0	0			0	0	0	0	0	0			

Bit	Bit Name	Initial Value	R/W	Internal Update	Description
31 to 24	CP1_000A to CP1_255A	Undefined	R/W	Yes	Color Palette 1_000 to 255 Blending Ratio To enable this bit, the ABRE bit in DEFR should be set to 1. In the initial state, this bit is not enabled. When the PnBRSL bits in PnALPHAR are 10, the value is the alpha value, which is the blend ratio.
23 to 18	CP1_000R to CP1_255R	Undefined	R/W	Yes	Color Palette 1_000 to 255 Red Red-color data of color palette 1 should be set.
17, 16	—	All 0	R	—	Reserved These bits are always read as 0. The write value should always be 0.
15 to 10	CP1_000G to CP1_255G	Undefined	R/W	Yes	Color Palette 1_000 to 255 Green Green-color data of color palette 1 should be set.

Bit	Bit Name	Initial Value	R/W	Internal Update	Description
9, 8	—	All 0	R	—	Reserved These bits are always read as 0. The write value should always be 0.
7 to 2	CP1_000B to CP1_255B	Undefined	R/W	Yes	Color Palette 1_000 to 255 Blue Blue-color data of color palette 1 should be set.
1, 0	—	All 0	R	—	Reserved These bits are always read as 0. The write value should always be 0.

19.3.49 Color Palette 2 Register 000 to 255 (CP2_000R to CP2_255R)

The color palette 2 registers 000 to 255 (CP2_000R to CP2_255R) are a group of 256 registers which set six bits for each of the RGB components of a color, and are used as a color palette capable of displaying 256 colors among 260,000 possible colors. Bits 31 to 24 are used as a blend ratio. The values are valid for 8 bits/pixel data display.

For details of color palette operation, refer to section 19.4.8, Color Palettes.

Values are retained during power-on reset and manual reset.

Bit:	31	30	29	28	27	26	25	24	23	22	21	20	19	18	17	16		
	CP2_000A to CP2_255A								CP2_000R to CP2_255R								—	—
Initial value:	—	—	—	—	—	—	—	—	—	—	—	—	—	—	0	0		
R/W:	R/W	R/W	R/W	R/W	R/W	R/W	R/W	R/W	R/W	R/W	R/W	R/W	R/W	R/W	R	R		
Internal update:	O	O	O	O	O	O	O	O	O	O	O	O	O	O				
Bit:	15	14	13	12	11	10	9	8	7	6	5	4	3	2	1	0		
	CP2_000G to CP2_255G						—	—	CP2_000B to CP2_255B						—	—		
Initial value:	—	—	—	—	—	—	0	0	—	—	—	—	—	—	0	0		
R/W:	R/W	R/W	R/W	R/W	R/W	R/W	R	R	R/W	R/W	R/W	R/W	R/W	R/W	R	R		
Internal update:	O	O	O	O	O	O			O	O	O	O	O	O				

Bit	Bit Name	Initial Value	R/W	Internal Update	Description
31 to 24	CP2_000A to CP2_255A	Undefined	R/W	Yes	Color Palette 2_000 to 255 Blending Ratio To enable this bit, the ABRE bit in DEFR should be set to 1. In the initial state, this bit is not enabled. When the PnBRSL bits in PnALPHAR are 10, the value is the alpha value, which is the blend ratio.
23 to 18	CP2_000R to CP2_255R	Undefined	R/W	Yes	Color Palette 2_000 to 255 Red Red-color data of color palette 2 should be set.
17, 16	—	All 0	R	—	Reserved These bits are always read as 0. The write value should always be 0.
15 to 10	CP2_000G to CP2_255G	Undefined	R/W	Yes	Color Palette 2_000 to 255 Green Green-color data of color palette 2 should be set.
9, 8	—	All 0	R	—	Reserved These bits are always read as 0. The write value should always be 0.
7 to 2	CP2_000B to CP2_255B	Undefined	R/W	Yes	Color Palette 2_000 to 255 Blue Blue-color data of color palette 2 should be set.
1, 0	—	All 0	R	—	Reserved These bits are always read as 0. The write value should always be 0.

19.3.50 Color Palette 3 Register 000 to 255 (CP3_000R to CP3_255R)

The color palette 3 registers 000 to 255 (CP3_000R to CP3_255R) are a group of 256 registers which set six bits for each of the RGB components of a color, and are used as a color palette capable of displaying 256 colors among 260,000 possible colors. Bits 31 to 24 are used as a blend ratio. The values are valid for 8 bits/pixel data display.

For details of color palette operation, refer to section 19.4.8, Color Palettes.

Values are retained during power-on reset and manual reset.

Bit:	31	30	29	28	27	26	25	24	23	22	21	20	19	18	17	16		
	CP3_000A to CP3_255A								CP3_000R to CP3_255R								—	—
Initial value:	—	—	—	—	—	—	—	—	—	—	—	—	—	—	0	0		
R/W:	R/W	R/W	R/W	R/W	R/W	R/W	R/W	R/W	R/W	R/W	R/W	R/W	R/W	R/W	R	R		
Internal update:	O	O	O	O	O	O	O	O	O	O	O	O	O	O				
Bit:	15	14	13	12	11	10	9	8	7	6	5	4	3	2	1	0		
	CP3_000G to CP3_255G							—	—	CP3_000B to CP3_255B							—	—
Initial value:	—	—	—	—	—	—	0	0	—	—	—	—	—	—	0	0		
R/W:	R/W	R/W	R/W	R/W	R/W	R/W	R	R	R/W	R/W	R/W	R/W	R/W	R/W	R	R		
Internal update:	O	O	O	O	O	O			O	O	O	O	O	O				

Bit	Bit Name	Initial Value	R/W	Internal Update	Description
31 to 24	CP3_000A to CP3_255A	Undefined	R/W	Yes	Color Palette 3_000 to 255 Blending Ratio To enable this bit, the ABRE bit in DEFR should be set to 1. In the initial state, this bit is not enabled. When the PnBRSL bits in PnALPHAR are 10, the value is the alpha value, which is the blend ratio.
23 to 18	CP3_000R to CP3_255R	Undefined	R/W	Yes	Color Palette 3_000 to 255 Red Red-color data of color palette 3 should be set.
17, 16	—	All 0	R	—	Reserved These bits are always read as 0. The write value should always be 0.
15 to 10	CP3_000G to CP3_255G	Undefined	R/W	Yes	Color Palette 3_000 to 255 Green Green-color data of color palette 3 should be set.

Bit	Bit Name	Initial Value	R/W	Internal Update	Description
9, 8	—	All 0	R	—	Reserved These bits are always read as 0. The write value should always be 0.
7 to 2	CP3_000B to CP3_255B	Undefined	R/W	Yes	Color Palette 3_000 to 255 Blue Blue-color data of color palette 3 should be set.
1, 0	—	All 0	R	—	Reserved These bits are always read as 0. The write value should always be 0.

19.3.51 Color Palette 4 Register 000 to 255 (CP4_000R to CP4_255R)

The color palette 4 registers 000 to 255 (CP4_000R to CP4_255R) are a group of 256 registers which set six bits for each of the RGB components of a color, and are used as a color palette capable of displaying 256 colors among 260,000 possible colors. Bits 31 to 24 are used as a blend ratio. The values are valid for 8 bits/pixel data display.

For details of color palette operation, refer to section 19.4.8, Color Palettes.

Values are retained during power-on reset and manual reset.

Bit:	31	30	29	28	27	26	25	24	23	22	21	20	19	18	17	16		
	CP4_000A to CP4_255A								CP4_000R to CP4_255R								—	—
Initial value:	—	—	—	—	—	—	—	—	—	—	—	—	—	—	0	0		
R/W:	R/W	R/W	R/W	R/W	R/W	R/W	R/W	R/W	R/W	R/W	R/W	R/W	R/W	R/W	R	R		
Internal update:	0	0	0	0	0	0	0	0	0	0	0	0	0	0				
Bit:	15	14	13	12	11	10	9	8	7	6	5	4	3	2	1	0		
	CP4_000G to CP4_255G							—	—	CP4_000B to CP4_255B						—	—	
Initial value:	—	—	—	—	—	—	0	0	—	—	—	—	—	—	0	0		
R/W:	R/W	R/W	R/W	R/W	R/W	R/W	R	R	R/W	R/W	R/W	R/W	R/W	R/W	R	R		
Internal update:	0	0	0	0	0	0			0	0	0	0	0	0				

Bit	Bit Name	Initial Value	R/W	Internal Update	Description
31 to 24	CP4_000A to CP4_255A	Undefined	R/W	Yes	Color Palette 4_000 to 255 Blending Ratio To enable this bit, the ABRE bit in DEFR should be set to 1. In the initial state, this bit is not enabled. When the PnBRSL bits in PnALPHAR are 10, the value is the alpha value, which is the blend ratio.
23 to 18	CP4_000R to CP4_255R	Undefined	R/W	Yes	Color Palette 4_000 to 255 Red Red-color data of color palette 4 should be set.
17, 16	—	All 0	R	—	Reserved These bits are always read as 0. The write value should always be 0.
15 to 10	CP4_000G to CP4_255G	Undefined	R/W	Yes	Color Palette 4_000 to 255 Green Green-color data of color palette 4 should be set.
9, 8	—	All 0	R	—	Reserved These bits are always read as 0. The write value should always be 0.
7 to 2	CP4_000B to CP4_255B	Undefined	R/W	Yes	Color Palette 4_000 to 255 Blue Blue-color data of color palette 4 should be set.
1, 0	—	All 0	R	—	Reserved These bits are always read as 0. The write value should always be 0.

19.3.52 External Synchronization Control Register (ESCR)

The external synchronization control register (ESCR) controls the dot clock.

Bit:	31	30	29	28	27	26	25	24	23	22	21	20	19	18	17	16
	—	—	—	—	—	—	—	—	—	—	—	DCLK SEL	—	—	—	DCLK DIS
Initial value:	0	0	0	0	0	0	0	0	0	0	0	0	0	0	0	0
R/W:	R	R	R	R	R	R	R	R	R	R	R	R/W	R	R	R	R/W
Internal update:																
Bit:	15	14	13	12	11	10	9	8	7	6	5	4	3	2	1	0
	—	—	—	—	—	—	—	—	—	—	—	FRQSEL				
Initial value:	0	0	0	0	0	0	0	0	0	0	0	0	0	0	0	0
R/W:	R	R	R	R	R	R	R	R	R	R	R	R/W	R/W	R/W	R/W	R/W
Internal update:																

Bit	Bit Name	Initial Value	R/W	Internal Update	Description
31 to 21	—	All 0	R	—	Reserved These bits are always read as 0. The write value should always be 0.
20	DCLKSEL	0	R/W	None	DOTCLKIN Select To enable this bit, the DCKE bit in DEFR should be set to 1. In the initial state, this bit is fixed to 0. 0: The input dot clock source is the DCLKIN pin 1: The input dot clock is DUCk This setting should be made such that the frequency of the frequency-divided dot clock generated by the dot clock generation circuit is 50 MHz or lower.
19 to 17	—	All 0	R	—	Reserved These bits are always read as 0. The write value should always be 0.
16	DCLKDIS	0	R/W	None	DOTCLKOUT Disable 0: DOTCLKOUT is output. 1: DOTCLKOUT is not output. DOTCLKOUT is fixed to low level.
15 to 5	—	All 0	R	—	Reserved These bits are always read as 0. The write value should always be 0.

Bit	Bit Name	Initial Value	R/W	Internal Update	Description
4 to 0	FRQSEL	0	R/W	None	<p>Frequency Select</p> <p>To enable this bit, the DCKE bit in DEFR should be set to 1. In the initial state, bit 4 is fixed at 0, and the frequency division ratio is up to 16.</p> <p>00000: Frequency division of the input dot clock (clock for division) is not performed.</p> <p>00001: Division by 2 of the input dot clock (clock for division)</p> <p>00010: Division by 3 of the input dot clock (clock for division)</p> <p>00011: Division by 4 of the input dot clock (clock for division)</p> <p>00100: Division by 5 of the input dot clock (clock for division)</p> <p>00101: Division by 6 of the input dot clock (clock for division)</p> <p>00110: Division by 7 of the input dot clock (clock for division)</p> <p>00111: Division by 8 of the input dot clock (clock for division)</p> <p>01000: Division by 9 of the input dot clock (clock for division)</p> <p>01001: Division by 10 of the input dot clock (clock for division)</p> <p>01010: Division by 11 of the input dot clock (clock for division)</p> <p>01011: Division by 12 of the input dot clock (clock for division)</p> <p>01100: Division by 13 of the input dot clock (clock for division)</p> <p>01101: Division by 14 of the input dot clock (clock for division)</p> <p>01110: Division by 15 of the input dot clock (clock for division)</p> <p>01111: Division by 16 of the input dot clock (clock for division)</p> <p>10000: Division by 17 of the input dot clock (clock for division)</p> <p>10001: Division by 18 of the input dot clock (clock for division)</p> <p>10010: Division by 19 of the input dot clock (clock for division)</p> <p>10011: Division by 20 of the input dot clock (clock for division)</p> <p>10100: Division by 21 of the input dot clock (clock for division)</p> <p>10101: Division by 22 of the input dot clock (clock for division)</p> <p>10110: Division by 23 of the input dot clock (clock for division)</p> <p>10111: Division by 24 of the input dot clock (clock for division)</p> <p>11000: Division by 25 of the input dot clock (clock for division)</p> <p>11001: Division by 26 of the input dot clock (clock for division)</p> <p>11010: Division by 27 of the input dot clock (clock for division)</p> <p>11011: Division by 28 of the input dot clock (clock for division)</p> <p>11100: Division by 29 of the input dot clock (clock for division)</p> <p>11101: Division by 30 of the input dot clock (clock for division)</p> <p>11110: Division by 31 of the input dot clock (clock for division)</p> <p>11111: Division by 32 of the input dot clock (clock for division)</p>

19.3.53 Output Signal Timing Adjustment Register (OTAR)

The output signal timing adjustment register (OTAR) selects the timing for the output signal.

For information on adjustment timing, refer to section 19.5.5, Output Signal Timing Adjustment.

Bit:	31	30	29	28	27	26	25	24	23	22	21	20	19	18	17	16
	—	DEA			—	CLAMPA			—	DRGBA			—	—	—	—
Initial value:	0	0	0	0	0	0	0	0	0	0	0	0	0	0	0	0
R/W:	R	R/W	R/W	R/W	R	R/W	R/W	R/W	R	R/W	R/W	R/W	R	R	R	R
Internal update:																
Bit:	15	14	13	12	11	10	9	8	7	6	5	4	3	2	1	0
	—	—	—	—	—	CDEA			—	DISPA			—	SYNCA		
Initial value:	0	0	0	0	0	0	0	0	0	0	0	0	0	0	0	0
R/W:	R	R	R	R	R	R/W	R/W	R/W	R	R/W	R/W	R/W	R	R/W	R/W	R/W
Internal update:																

Bit	Bit Name	Initial Value	R/W	Internal Update	Description
31	—	0	R	—	Reserved This bit is always read as 0. The write value should always be 0.

Bit	Bit Name	Initial Value	R/W	Internal Update	Description
30 to 28	DEA	0	R/W	None	<p>DE Output Timing Adjustment</p> <p>000: Adjustment of output timing is not performed. The DE signal is output at the rising edge of the dot clock, with the reference timing.</p> <p>001: The DE signal is output at the rising edge, delayed one dot clock cycle relative to the reference timing.</p> <p>010: The DE signal is output at the rising edge, delayed two dot clock cycles relative to the reference timing.</p> <p>011: The DE signal is output at the rising edge, delayed three dot clock cycles relative to the reference timing.</p> <p>100: The DE signal is output at the falling edge, preceding the reference timing by 1/2 dot clock cycle.</p> <p>101: The DE signal is output at the falling edge, delayed 1/2 dot clock cycle relative to the reference timing.</p> <p>110: The DE signal is output at the falling edge, delayed (1+1/2) dot clock cycles relative to the reference timing.</p> <p>111: The DE signal is output at the falling edge, delayed (2+1/2) dot clock cycles relative to the reference timing.</p>
27	—	0	R	—	<p>Reserved</p> <p>This bit is always read as 0. The write value should always be 0.</p>

Bit	Bit Name	Initial Value	R/W	Internal Update	Description
26 to 24	CLAMPA	0	R/W	None	<p>CLAMP Output Timing Adjustment</p> <p>000: Adjustment of output timing is not performed. The CLAMP signal is output at the rising edge of the dot clock, with the reference timing.</p> <p>001: The CLAMP signal is output at the rising edge, delayed one dot clock cycle relative to the reference timing.</p> <p>010: The CLAMP signal is output at the rising edge, delayed two dot clock cycles relative to the reference timing.</p> <p>011: The CLAMP signal is output at the rising edge, delayed three dot clock cycles relative to the reference timing.</p> <p>100: The CLAMP signal is output at the falling edge, preceding the reference timing by 1/2 dot clock cycle.</p> <p>101: The CLAMP signal is output at the falling edge, delayed 1/2 dot clock cycle relative to the reference timing.</p> <p>110: The CLAMP signal is output at the falling edge, delayed (1+1/2) dot clock cycles relative to the reference timing.</p> <p>111: The CLAMP signal is output at the falling edge, delayed (2+1/2) dot clock cycles relative to the reference timing.</p>
23	—	0	R	—	<p>Reserved</p> <p>This bit is always read as 0. The write value should always be 0.</p>

Bit	Bit Name	Initial Value	R/W	Internal Update	Description
22 to 20	DRGBA	0	R/W	None	<p>Digital IRGV Output Timing Adjustment</p> <p>000: Adjustment of output timing is not performed. The RGB signal is output at the rising edge of the dot clock, with the reference timing.</p> <p>001: The RGB signal is output at the rising edge, delayed one dot clock cycle relative to the reference timing.</p> <p>010: The RGB signal is output at the rising edge, delayed two dot clock cycles relative to the reference timing.</p> <p>011: The RGB signal is output at the rising edge, delayed three dot clock cycles relative to the reference timing.</p> <p>100: The RGB signal is output at the falling edge, preceding the reference timing by 1/2 dot clock cycle.</p> <p>101: The RGB signal is output at the falling edge, delayed 1/2 dot clock cycle relative to the reference timing.</p> <p>110: The RGB signal is output at the falling edge, delayed (1+1/2) dot clock cycles relative to the reference timing.</p> <p>111: The RGB signal is output at the falling edge, delayed (2+1/2) dot clock cycles relative to the reference timing.</p>
19	—	0	R	—	<p>Reserved</p> <p>This bit is always read as 0. The write value should always be 0.</p>
18 to 16	—	All 0	R	—	<p>Reserved</p> <p>These bits are always read as undefined. The write value should always be 0.</p>
15 to 11	—	All 0	R	—	<p>Reserved</p> <p>These bits are always read as 0. The write value should always be 0.</p>

Bit	Bit Name	Initial Value	R/W	Internal Update	Description
10 to 8	CDEA	0	R/W	None	<p>CDE Output Timing Adjustment</p> <p>000: Adjustment of output timing is not performed. The CDE signal is output at the rising edge of the dot clock, with the reference timing.</p> <p>001: The CDE signal is output at the rising edge, delayed one dot clock cycle relative to the reference timing.</p> <p>010: The CDE signal is output at the rising edge, delayed two dot clock cycles relative to the reference timing.</p> <p>011: The CDE signal is output at the rising edge, delayed three dot clock cycles relative to the reference timing.</p> <p>100: The CDE signal is output at the falling edge, preceding the reference timing by 1/2 dot clock cycle.</p> <p>101: The CDE signal is output at the falling edge, delayed 1/2 dot clock cycle relative to the reference timing.</p> <p>110: The CDE signal is output at the falling edge, delayed (1+1/2) dot clock cycles relative to the reference timing.</p> <p>111: The CDE signal is output at the falling edge, delayed (2+1/2) dot clock cycles relative to the reference timing.</p>
7	—	0	R	—	<p>Reserved</p> <p>This bit is always read as 0. The write value should always be 0.</p>

Bit	Bit Name	Initial Value	R/W	Internal Update	Description
6 to 4	DISPA	0	R/W	None	<p>DISP Output Timing Adjustment</p> <p>000: Adjustment of output timing is not performed. The DISP signal is output at the rising edge of the dot clock, with the reference timing.</p> <p>001: The DISP signal is output at the rising edge, delayed one dot clock cycle relative to the reference timing.</p> <p>010: The DISP signal is output at the rising edge, delayed two dot clock cycles relative to the reference timing.</p> <p>011: The DISP signal is output at the rising edge, delayed three dot clock cycles relative to the reference timing.</p> <p>100: The DISP signal is output at the falling edge, preceding the reference timing by 1/2 dot clock cycle.</p> <p>101: The DISP signal is output at the falling edge, delayed 1/2 dot clock cycle relative to the reference timing.</p> <p>110: The DISP signal is output at the falling edge, delayed (1+1/2) dot clock cycles relative to the reference timing.</p> <p>111: The DISP signal is output at the falling edge, delayed (2+1/2) dot clock cycles relative to the reference timing.</p>
3	—	0	R	—	<p>Reserved</p> <p>This bit is always read as 0. The write value should always be 0.</p>

Bit	Bit Name	Initial Value	R/W	Internal Update	Description
2 to 0	SYNCA	0	R/W	None	<p>SYNC* Output Timing Adjustment</p> <p>000: Adjustment of output timing is not performed. The SYNC* signal is output at the rising edge of the dot clock, with the reference timing.</p> <p>001: The SYNC* signal is output at the rising edge, delayed one dot clock cycle relative to the reference timing.</p> <p>010: The SYNC* signal is output at the rising edge, delayed two dot clock cycles relative to the reference timing.</p> <p>011: The SYNC* signal is output at the rising edge, delayed three dot clock cycles relative to the reference timing.</p> <p>100: The SYNC* signal is output at the falling edge, preceding the reference timing by 1/2 dot clock cycle.</p> <p>101: The SYNC* signal is output at the falling edge, delayed 1/2 dot clock cycle relative to the reference timing.</p> <p>110: The SYNC* signal is output at the falling edge, delayed (1+1/2) dot clock cycles relative to the reference timing.</p> <p>111: The SYNC* signal is output at the falling edge, delayed (2+1/2) dot clock cycles relative to the reference timing.</p> <p>Note: * HSYNC, VSYNC, CSYNC, ODDF signals</p>

19.4 Operation

19.4.1 Configuration of Output Screen

The display unit (DU) executes window displays with up to a maximum of six window layers. Each of these windows is called a "plane", and the order of stacking of the planes can be set arbitrarily. For each plane, display can be turned on and off, and the display data format (8 bits/pixel, 16 bits/pixel, ARGB, YC), blending functions, and other settings can be changed independently.

Each plane has a double-buffer configuration, so that smooth display is possible.

Note: In cases of high-resolution display, the unified memory traffic volume may be considerable depending on the number of combined planes and display size, and constraints may arise owing to the traffic volume; but there are no constraints on display functions.

Table 19.4 Display Functions of Planes

		Display Data Format							Blink	Scroll	Wrap-
		16							-ing	-ing	-around
Display	On/Off	8 bits/ pixel	bits/ pixel	ARGB	YC	Superpositioning	Size				
Plane 1	O	O* ¹	O	O	O* ²	α blending/ transparent color/ EOR operation	O	X, Y arbitrary	O	O	
Plane 2	O	O* ¹	O	O	O* ²	α blending/ transparent color/ EOR operation	O	X, Y arbitrary	O	O	
Plane 3	O	O* ¹	O	O	O* ²	α blending/ transparent color/ EOR operation	O	X, Y arbitrary	O	O	
Plane 4	O	O* ¹	O	O	O* ²	α blending/ transparent color/ EOR operation	O	X, Y arbitrary	O	O	
Plane 5	O	O* ¹	O	O	O* ²	α blending/ transparent color/ EOR operation	O	X, Y arbitrary	O	O	
Plane 6	O	O* ¹	O	O	O* ²	α blending/ transparent color/ EOR operation	O	X, Y arbitrary	O	O	
Back- ground color* ³	x	x	x	x	x	x	x	x	x	x	

- Notes:
1. Any among the color the palette 1, 2, 3, 4 is selected.
 2. If YC→RGB conversion is specified for multiple planes, it can be performed only on the pixels of the uppermost plane.
 3. The data format for background color is RGB:6-6-6.

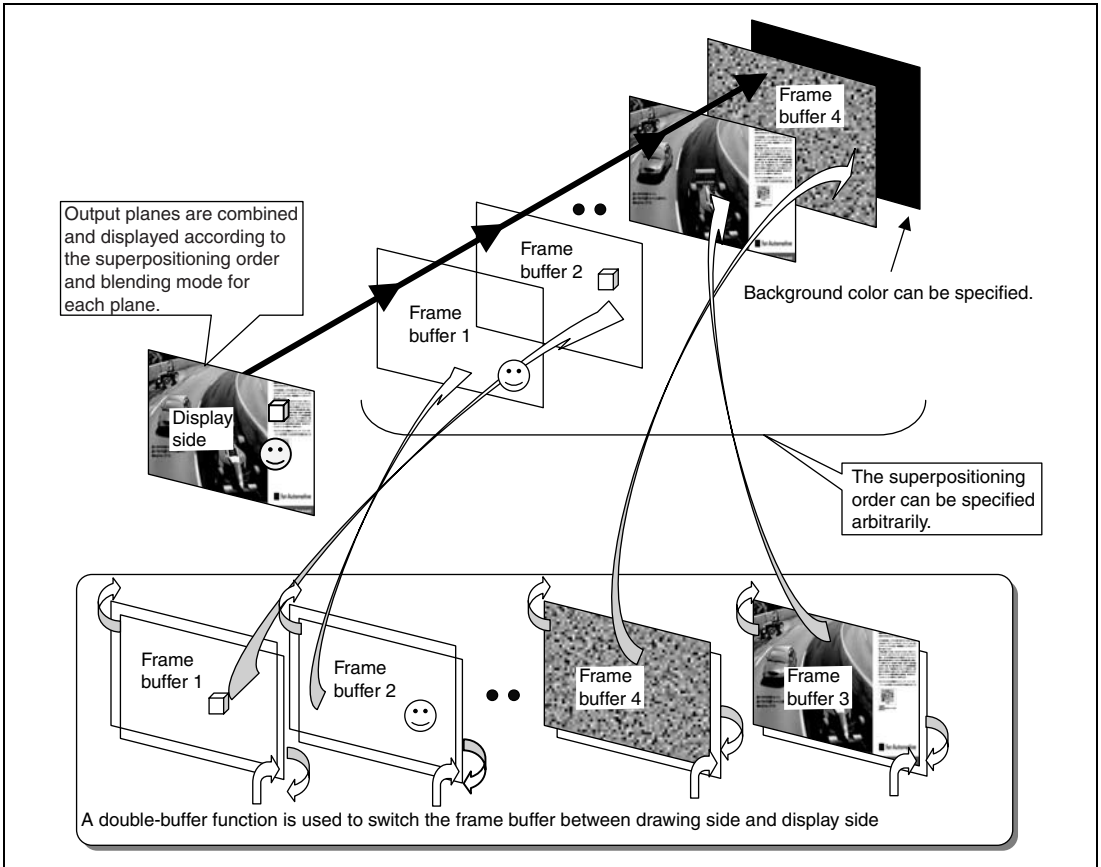


Figure 19.2 Block Diagram of Plane Configuration and Superpositioning

19.4.2 Display On/Off

All plane display can be turned on and off using the DEN bit in DSYSR. When the DEN bit is 0, the display data set in DOOR is displayed.

Display is turned on and off for planes 1 to 6 using DPPR. Under the following display conditions, display data set in BPOR is displayed.

1. When display of all planes 1 to 6 is turned off
2. In an area with no plane for display, due to the display size and display position
3. When the pixels in a plane for display are all a transparent color

Table 19.5 Display On/Off of Plane 1 to 6

Display Plane	Display Plane Priority Register (DPPR)
Plane 1	Plane 1 is selected in one among priority positions 1 to 6, and the corresponding enable bit is set to 1
Plane 2	Plane 2 is selected in one among priority positions 1 to 6, and the corresponding enable bit is set to 1
Plane 3	Plane 3 is selected in one among priority positions 1 to 6, and the corresponding enable bit is set to 1
Plane 4	Plane 4 is selected in one among priority positions 1 to 6, and the corresponding enable bit is set to 1
Plane 5	Plane 5 is selected in one among priority positions 1 to 6, and the corresponding enable bit is set to 1
Plane 6	Plane 6 is selected in one among priority positions 1 to 6, and the corresponding enable bit is set to 1

Note: Even if display on is set using DPPR, under the following conditions, the setting is handled as display off, and the corresponding plane is not displayed.

- Planes for which the value set in PnDPXR is greater than the screen size (horizontal display ending position register (HDE) - horizontal display start position register (HDS))
- Planes for which the value set in PnDPYR is greater than the screen size (vertical display ending position register (VDE) - vertical display start position register (VDS))
- Planes for which the value set in PnDSXR is 0
- Planes for which the value set in PnDSYR is 0
- Planes for which the value set in PnMWR is 0
- Planes for which the value set in PnSPXR is equal to or greater than twice the value set in PnMWR

19.4.3 Plane Parameter

For each plane, a display area start position, memory width, display start position, and display size are set using registers.

The followings are the schematic diagram of start positions and sizes related to planes and the registers used for setting start positions and sizes.

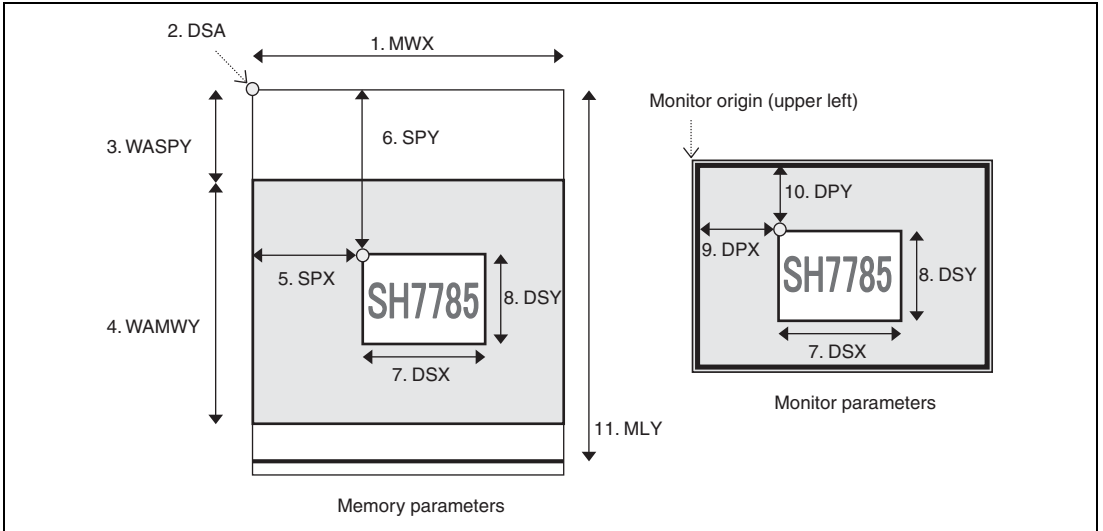


Figure 19.3 Parameters

Table 19.6 Memory Parameter/ Monitor Parameter Setting Registers

No.	Names Used in the Figure	Setting Registers	Description
1	MWX (Plane memory width)	PnMWR	The plane X-direction memory width is set between 16 and 4096 pixels, in 16 pixel units.
2	DSA (Display area start address)	PnDSA0R and PnDSA1R	The start address in memory area is set for plane n.
3	WASPY (Plane n wrap-around start position)	PnWASPR	The Y direction start position of the plane n wrap-around area is set in raster line units, with the address set by DSA as reference.
4	WAMWY (Wraparound memory width)	PnWAMWR	The wrap-around Y-direction memory width is set arbitrarily in the range 240 to 4095 lines.
5	SPX (Start position X)	PnSPXR	The distance in the X direction to the display start position is set in pixel units, taking the address set by DSA as the origin.
6	SPY (Start position Y)	PnSPYR	The distance in the Y direction to the display start position is set in raster line units, taking the address set by DSA as the origin.
7	DSX (Display size X)	PnDSXR	The X-direction display size of plane n is set in pixel units.
8	DSY (Display size Y)	PnDSYR	The Y-direction display size of plane n is set in raster line units.
9	DPX (Display position X)	PnDPXR	The X-direction distance to the display position is set in pixel units, taking the upper-left corner of monitor as the origin.
10	DPY (Display position Y)	PnDPYR	The Y-direction distance to the display position is set in raster line units, taking the upper-left corner of monitor as the origin.
11	MLY (Memory length Y)	PnMLR	The Y-direction memory area of plane n is set in raster line units.

19.4.4 Memory Allocation

A display start address for the display screen can be set individually for each plane. Leading addresses for the memory areas used are set in each of the display area start address registers.

In the display unit (DU), the display area start addresses 0 and 1 are used for each plane to perform double-buffer control and display each plane.

Below is a list of display area start address registers used for each of the planes.

Table 19.7 Memory Allocation Registers

Display Plane	Setting Register Name	
Plane 1	Plane 1 display area start address register 0	P1DSA0
	Plane 1 display area start address register 1	P1DSA1
Plane 2	Plane 2 display area start address register 0	P2DSA0
	Plane 2 display area start address register 1	P2DSA1
Plane 3	Plane 3 display area start address register 0	P3DSA0
	Plane 3 display area start address register 1	P3DSA1
Plane 4	Plane 4 display area start address register 0	P4DSA0
	Plane 4 display area start address register 1	P4DSA1
Plane 5	Plane 5 display area start address register 0	P5DSA0
	Plane 5 display area start address register 1	P5DSA1
Plane 6	Plane 6 display area start address register 0	P6DSA0
	Plane 6 display area start address register 1	P6DSA1

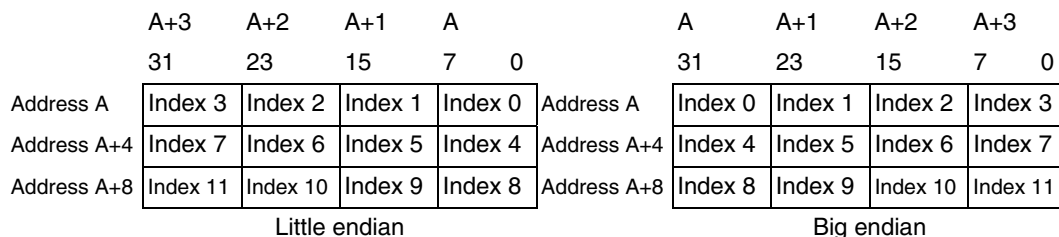
19.4.5 Input Display Data Format

The following format is used for input color data used in display.

- 8 bit/pixel

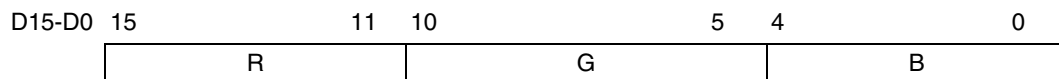
A color palette index is used. The color palette is used to convert and display image data into RGB data with 6 bits for each RGB color (RGB666).

The arrangement of data in memory is as follows.

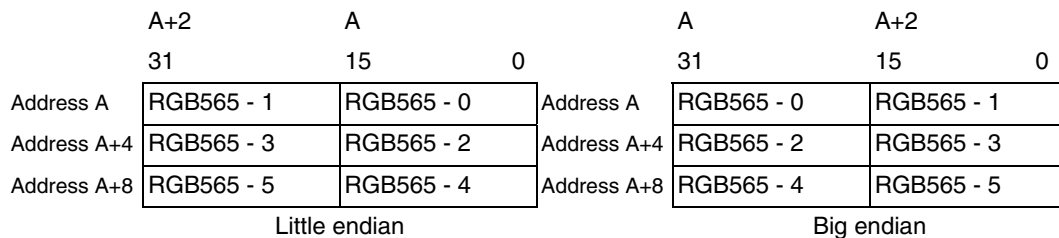


- 16 bit/pixel: RGB

The RGB levels are represented using 5 bits for R, 6 bits for G, and 5 bits for B (RGB565).

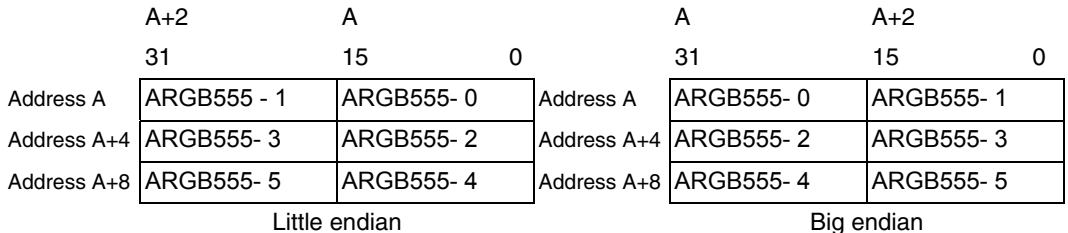
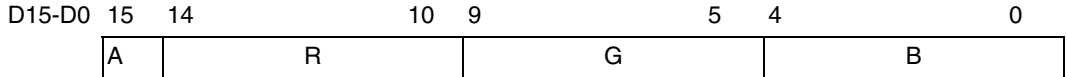


The arrangement of data in memory is as follows.



- 16 bit/pixel: ARGB

The ARGB levels are represented using A:1, R:5, G:5, B:5 bits (ARGB555). In addition to the RGB values, an alpha value is set. Blending control using the A value is valid when the PnSPIM bit in PnMR is set to perform blending; when A = 1, blending is performed. When the PnSPIM bit is not set to perform blending, blending is not performed even when A = 1.



- YC

Image data has the format YC (YCbCr) = 4:2:2. A calculation circuit is used to convert each of the 8 bits of the RGB colors of image data.

The YC data order corresponds to the UYVY format and YUYV format. The UYVY format and YUYV format can be selected using the PnYCDF bits in PnMR.

The conversion formulae for each of the 8 bits of the RGB colors are as follows:

$$R = Y + 1.37 \times (Cr - 128)$$

$$G = Y - 0.698 \times (Cr - 128) - 0.336 \times (Cb - 128)$$

$$B = Y + 1.73 \times (Cb - 128)$$

$$16 \leq Y \leq 235$$

$$16 \leq Cr \leq 240$$

$$16 \leq Cb \leq 240$$

The following coefficients are used for the above formulae.

(1) $1.37 = 1.0101111$

(2) $1.73 = 1.1011110$

(3) $0.698 = 0.10110010$

(4) $0.336 = 0.01010110$

The internal processing is performed in 16-bit units.

Calculation is performed with fixed-point arithmetic and values are rounded down.

- UYVY format

	A+3	A+2	A+1	A	0		A	A+1	A+2	A+3	0
	31	23	15	7	0		31	23	15	7	0
Address A	Y1	V0	Y0	U0		Address A	U0	Y0	V0	Y1	
Address A+4	Y3	V2	Y2	U2		Address A+4	U2	Y2	V2	Y3	
Address A+8	Y5	V4	Y4	U4		Address A+8	U4	Y4	V4	Y5	
	Little endian						Big endian				

- YUYV format

	A+3	A+2	A+1	A	0		A	A+1	A+2	A+3	0
	31	23	15	7	0		31	23	15	7	0
Address A	V0	Y1	U0	Y0		Address A	Y0	U0	Y1	V0	
Address A+4	V2	Y3	U2	Y2		Address A+4	Y2	U2	Y3	V2	
Address A+8	V4	Y5	U4	Y4		Address A+8	Y4	U4	Y5	V4	
	Little endian						Big endian				

19.4.6 Output Data Format

When outputting digital RGB data from the display unit (DU), the display data format is expanded into the RGB666 format before output. The format at the time of output is as indicated in the following table.

Table 19.8 Output Data Format

Pin Output Data	DR5	DR4	DR3	DR2	DR1	DR0	DG5	DG4	DG3	DG2	DG1	DG0	DG5	DG4	DG3	DG2	DG1	DG0			
8 bits/ pixel	R (6 bits)						G (6 bits)						B (6 bits)								
16 bits/ pixel	R (5 bits)						0	G (6 bits)						B (5 bits)						0	
ARGB	R (5 bits)						0	G (5 bits)						0	B (5 bits)						0
YC→ RGB	R (upper 6 bits of the 8 bits)						G (upper 6 bits of the 8 bits)						B (upper 6 bits of the 8 bits)								

19.4.7 Endian Conversion

The display unit (DU) can perform big-endian/little-endian conversion according to the setting of the DSEC bit in DSYSR.

The internal data format in the display unit (DU) is fixed at little-endian; by setting the DSEC bit in DSYSR to 1, display data arranged in big-endian format in memory is converted into little-endian format and read.

The units for endian conversion (byte/word) is determined by the setting of the PnDDF bit in PnMR.

Table 19.9 Endian Conversion

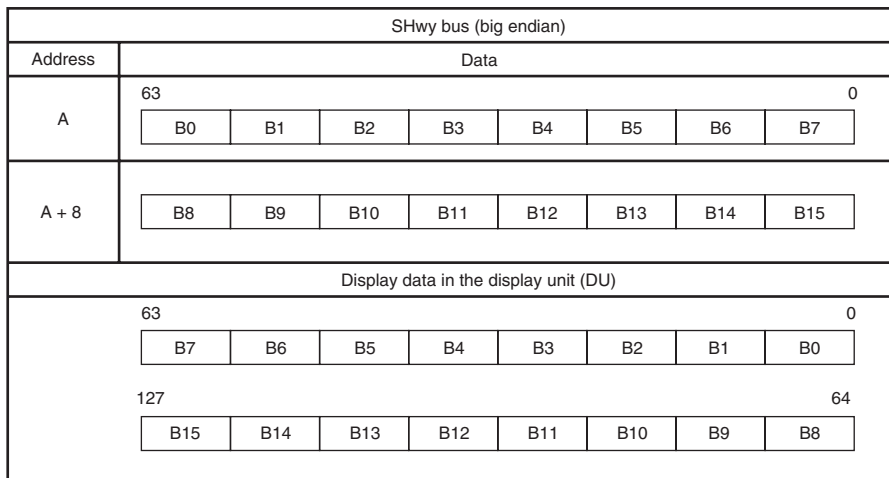
PnMR/PnDDF	Data Format	Units for Endian Conversion
00	8 bits/pixel	Byte
01	16 bits/pixel	Word
10	ARGB	Word
11	YC	Byte

Endian conversion in each of the units indicated below is shown in figure 19.4.

Endian Conversion in Byte Units:

PnDDF = 0 0: 8 bits/pixel

PnDDF = 1 1: YC



Endian Conversion in Word Units:

PnDDF = 0 1: 16 bits/pixel

PnDDF = 1 0: ARGB

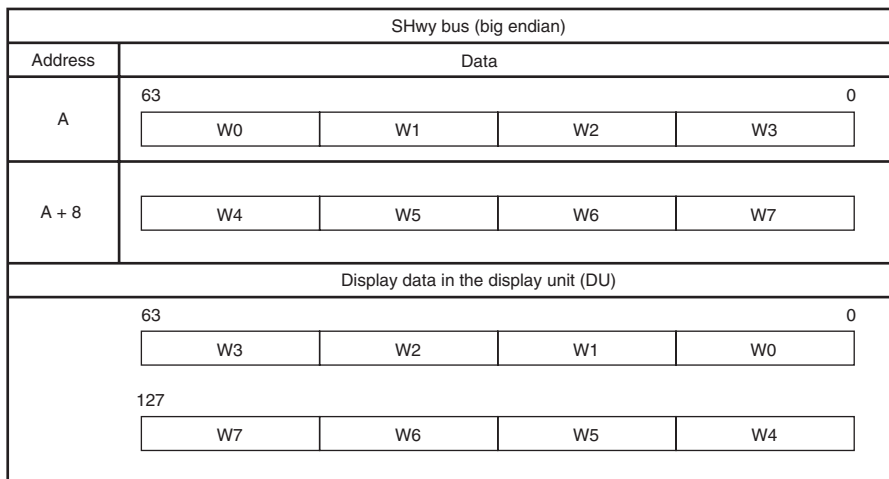


Figure 19.4 Endian Conversion

19.4.8 Color Palettes

8 bits/pixel data employs color palettes. Four color palettes can be used; these are called color palette 1, color palette 2, color palette 3, and color palette 4.

The color palette used in each plane can be set to any among color palette 1, color palette 2, color palette 3, and color palette 4 using the PnCPSL bits in PnMR. Each of the color palettes consists of two alternate buffers; one serves as a display buffer, and the other is for CPU access. After setting each color palette, by setting the color palette switching enable bits (CP4CE, CP3CE, CP2CE, CP1CE) in CPCR to 1, the color palette thus set becomes valid at the next VSYNC falling edge (internal update timing), or upon display reset (when the DRES bit in DYSR is changed from 1 to 0).

Notes on Use of Color Palettes:

1. Because palettes consist of alternate buffers, complete overwriting is necessary upon a color palette update. However, when the details of color palette updates are being managed, there is no problem with overwriting only the relevant part.
2. Upon completion of color palette settings, the switching enable bit must always be set to 1.
3. When reading a color palette which has been written from the CPU, reading should be performed before setting the switching enabled bit to 1. If read after setting the bit to 1, there is the possibility that different palette contents may be read after palette switching occurs.

Procedure For Setting A Color Palette:

- Procedure for switching from the initial state
The initial state (after power-on reset) is the display reset state.
 - A. Set the registers of the display unit (DU).
 - B. Set either color palette 1, color palette 2, color palette 3, or color palette 4.
 - C. After setting the color palette, set the color palette switching enable bit to 1.
 - D. Cancel the display reset.
- Procedure for switching from display state
In the display state, the DRES bit and DEN bit in the DYSR are 0 and 1 respectively.
 - A. Confirm that the color palette switching enable bit is 0.
 - B. Set either color palette 1, color palette 2, color palette 3, or color palette 4.
 - C. After setting the color palette, set the color palette switching enable bit to 1.

19.4.9 Superpositioning of Planes

For each plane, three types of combined superpositioning are possible: α blending, transparent colors, and EOR operations. By setting the PnSPIM bits in PnMR, the superpositioned display type can be selected.

However, α blending and EOR operation cannot be performed simultaneously on the same plane.

α blending and EOR operations are performed after expanding the display data format into RGB888 format.

Complementary formats for the different input display data formats are indicated in table 19.11.

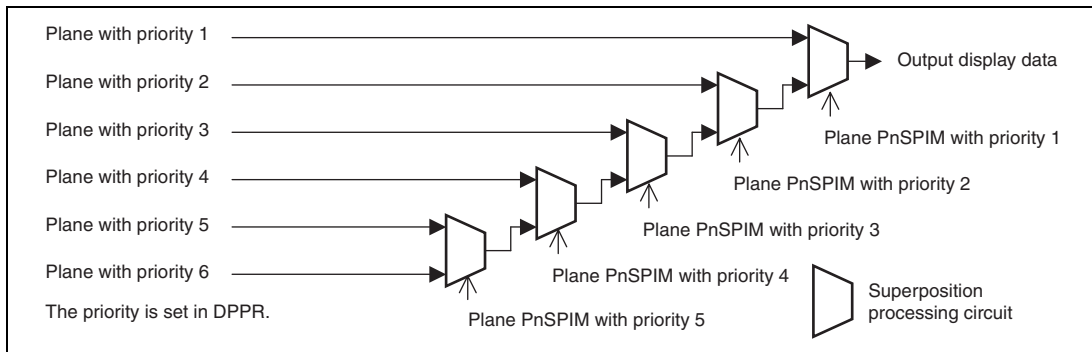
α blending and EOR operations are performed in order from lower planes to higher planes. Figure 19.5 is a block diagram illustrating this procedure.

Table 19.10 Superpositioning

PnSPIM	Superpositioning
000	Transparency processing is performed for the specified plane. When the specified plane is a transparent color, the lower plane is displayed. (Initial value)
001	Blending of the specified plane with the lower plane is performed. When the specified plane is a transparent color, blending is not performed and the lower plane is displayed.
010	EOR operation of the specified plane and the lower plane is performed. When the specified plane is a transparent color, EOR operation is not performed and the lower plane is displayed.
011	Setting prohibited
100	Transparency processing is not performed for the specified plane. The specified plane is displayed.
101	Blending of the specified plane with the lower plane is performed. Transparent color specification for the specified plane is ignored, and blending of all the pixels in the specified plane with the lower plane is performed.
110	EOR operation of the specified plane and the lower plane is performed. Transparent color specification for the specified plane is ignored, and EOR operation of all the pixels in the specified plane and the lower plane is performed.
111	Setting prohibited

Table 19.11 RGB888 Bit Configuration in Each Display Data Format

Data Format	R (8 bits)		G (8 bits)		B (8 bits)	
8 bits/pixel	R (6 bits)	0 0	G (6 bits)	0 0	B (6 bits)	0 0
16 bits/pixel	R (5 bits)	0 0 0	G (6 bits)	0 0	B (5 bits)	0 0 0
ARGB	R (5 bits)	0 0 0	G (5 bits)	0 0 0	B (5 bits)	0 0 0
YC→RGB	R (8 bits)		G (8 bits)		B (8 bits)	

**Figure 19.5 Plane Processing Sequence in α Blending and EOR Operation**

When the format of display data for α blending or EOR operation is 8 bits/pixel, after selection in advance of the color palette to be used, the α blending or EOR operation on/off should be specified. At this time, when both planes for α blending or for EOR operation have the same color palette selected (color palette contention), only the specified plane is displayed, with no α blending or EOR operation performed. When display of all lower planes is turned off, the specified plane is displayed. That is, blending or EOR operation of the specified plane with the display data specified in BPOR is not performed.

α Blending: In α blending, blending processing is performed according to the alpha (α) value set by the PnALPHA bits in PnALPHAR, the alpha (α) value set by the blend ratio bits in the color palette, or the alpha (α) value of the input display data.

$$\text{Blending result} = (\alpha \times \text{specified plane} + (\text{H}'100 - \alpha) \times \text{lower plane}) / \text{H}'100$$

- Notes:
1. In the above formula, the blending result, α , the specified plane, and the lower plane are all given as 8-bit data.
 2. When 0 is set as the alpha value, only the lower plane is displayed.
 3. Approximation compensation is not performed. Alpha value is equal to H'FF, specified plane is equal to H'FF and lower plane equal to H'00, and then the result is H'FE.

When the PnDDF bit in PnMR is set to ARGB, and moreover the PnSPIM bit in PnMR is set to perform blending, α blending is performed according to the A value of the input ARGB data format.

Transparent Colors: For each plane, transparent color processing can be performed between the specified plane and the lower plane by setting PnSPIM bit in PnMR to 0. However, in YC format transparent color processing cannot be performed.

When the input display data and register value match, a color is judged to be a transparent color.

- In 8 bits/pixel mode

When the PnTC bit in PnMR is 0 (initial value), transparent color processing is performed according to the setting in the plane n transparent color 1 register (PnTC1R). When the PnTC bit PnMR is 1, up to a maximum 16 colors can be simultaneously specified for each of color palette 1, color palette 2, color palette 3, color palette 4 according to the settings in CP1TR to CP4TR. Only the indexes H'00 to H'0F can be specified as transparent colors; H'10 to H'FF cannot be specified as transparent colors.

The color palette 1 to 4 transparent color registers can be selected using the PnCPSL bits in PnMR.

- In 16 bits/pixel mode and ARGB mode

Transparent color processing is performed according to PnTC2R, regardless of the setting of the PnTC bit in PnMR.

In the case of ARGB, bits 14 to 0 of PnTC2R are compared, and bit 15 is ignored.

The above is summarized in table 19.12, which indicates the transparent color specification registers which are valid when the PnTC bit in PnMR is 0 and 1.

Table 19.12 Transparent Color Specification Registers

Data Format	Transparent Color Specification Bit	Color Palette Select Bit	Transparent Color Specification Register
—	(PnMR) /PnTC	(PnMR) /PnCPSL	—
8 bits/pixel	0	—	PnTC1R
	1	00	CP1TR
	1	01	CP2TR
	1	10	CP3TR
	1	11	CP4TR
16 bits/pixel	—	—	PnTC2R
ARGB	—	—	PnTC2R

EOR Operation: EOR operation of the specified plane with the lower plane is performed.

19.4.10 Display Contention

Color Palette Contention: When performing α blending and EOR operations, if the same color palette is selected for both planes with the input display data format at 8 bits/pixel, color palette contention may occur. This is because contention decisions occur not in plane units, but in pixel units.

Figure 19.6 shows contention for a case in which data for plane 1, plane 2, and plane 3 is 8 bits/pixel, α blending is specified for plane 1 and EOR operation is specified for plane 2, and the same color palette is selected for the three planes. (It is assumed that there are no transparent-color pixels in plane 1, plane 2, or plane 3.)

When contention occurs, α blending and EOR operations become invalid, and the plane with the highest priority is displayed.

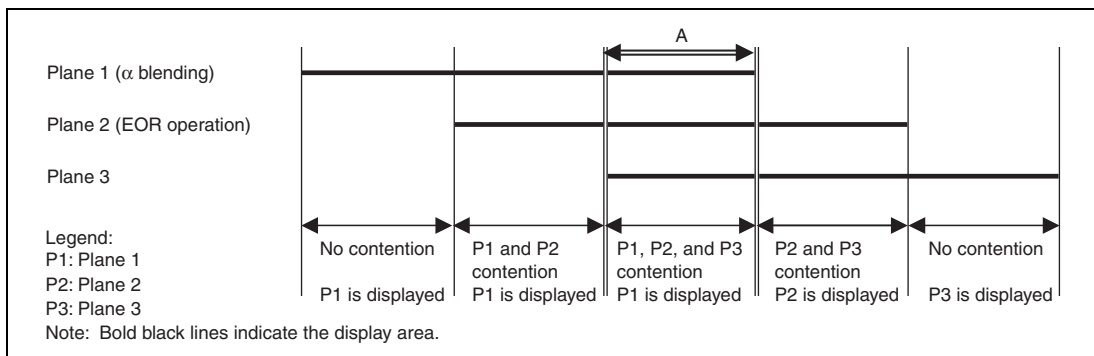


Figure 19.6 Color Palette Contention
(When Same Color Palette Is Selected for Multiple Planes)

Figure 19.7 summarizes the display results when combining color palette selection and transparent colors in the display section A in Figure 19.6.

- $P1\alpha P2$ shows the result of α blending of plane 1 and plane 2.
- $P2\oplus P3$ shows the result of an EOR operation on plane 2 and plane 3.
- $P1\alpha (P2\oplus P3)$ shows the result of α blending of plane 1 with the result of an EOR operation on plane 2 and Plane 3.
- BPOR shows display data in the background color register.

			Color palette selection Δ : Same color palette selected; X: Different color palette selected					
			P1	Δ	Δ	Δ	X	X
			P2	Δ	Δ	X	Δ	X
			P3	Δ	X	Δ	Δ	X
P1	P2	P3						
●	●	●	P1	P1	$P1\alpha P2$	$P1\alpha P2$	$P1(P2\oplus P3)$	
●	●	○	P1	P1	$P1\alpha P2$	$P1\alpha P2$	$P1\alpha P2$	
●	○	●	P1	$P1\alpha P3$	P1	$P1\alpha P3$	$P1\alpha P3$	
●	○	○	P1	P1	P1	P1	P1	
○	●	●	P2	$P2\oplus P3$	$P2\oplus P3$	P2	$P2\oplus P3$	
○	●	○	P2	P2	P2	P2	P2	
○	○	●	P3	P3	P3	P3	P3	
○	○	○	BPOR	BPOR	BPOR	BPOR	BPOR	

○ Transparent color
● Non-transparent color

Figure 19.7 Results of Display Combining Color Palette Selection and Transparent Colors

YC Data Contention: The display unit (DU) has only one YC-RGB conversion circuit internally, and so YC-RGB conversion cannot be performed simultaneously for two or more planes. When there are pixels requiring YC-RGB conversion on two or more planes simultaneously, the pixels on the uppermost plane are YC-RGB converted, and the lower plane is not displayed.

Figure 19.8 describes YC-RGB conversion when the data for three planes is in YC format.

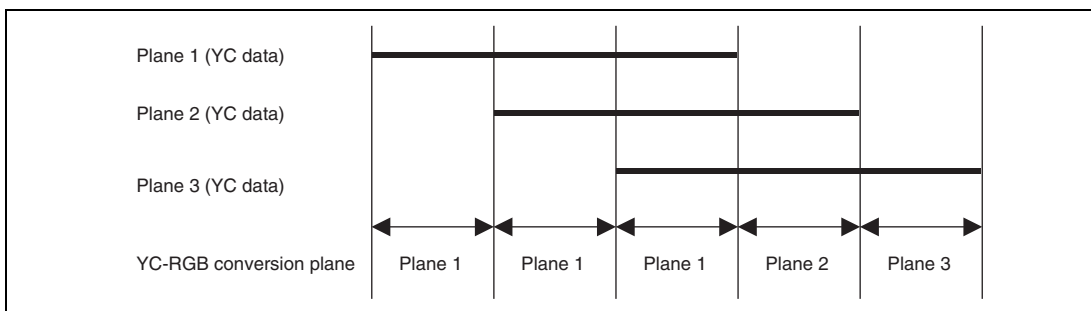


Figure 19.8 YC Data Contention

Plane Priority Order: The display priority order for planes is set using DPPR; if one plane is set in two or more places in the priority order, the place with highest priority is selected.

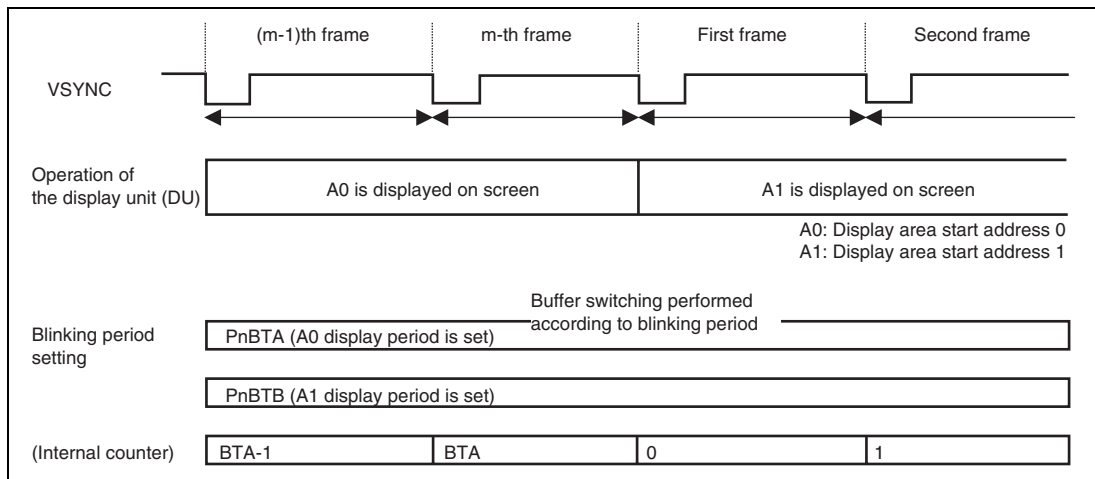
For example, if the setting in DPPR is H'00CBD888, then the results of the priority order and display on/off settings are as follows.

Plane with priority 1	Plane 1
Plane with priority 2	No corresponding plane
Plane with priority 3	No corresponding plane
Plane with priority 4	Plane 6
Plane with priority 5	Plane 4
Plane with priority 6	Plane 5
Display off planes	Plane 2 and plane 3

19.4.11 Blinking

For each plane, blinking operation can be performed by using the display area start address 0 and 1 registers.

Usually, double buffer control is performed for each plane according to the setting of the PnBM bit in PnMR. However, blinking is performed with the period specified by the PnBTA and PnBTB bits in PnBTR by setting the PnBM bits in PnMR to 10 (Auto display change mode (blinking mode)). If the PnBTA and PnBTB bits are set to 0, operation is the same as when set to 1.



19.4.12 Scroll Display

By setting display area and display screen sizes and start positions independently for each plane, smooth scroll processing can be performed independently for each plane.

The display can be scrolled by cyclically setting the plane n display start position X, Y values (coordinates specified by $PnSPXR$ and $PnSPYR$), taking as the origin the leading address in memory specified by $PnDSA0R$ and $PnDSA1R$ for each plane.

Figure 19.9 summarizes display scrolling. The display is scrolled by setting the display start position from A to B.

Note: Display sizes and other area settings for each plane should be set such that there is no data display outside the memory configuration area.

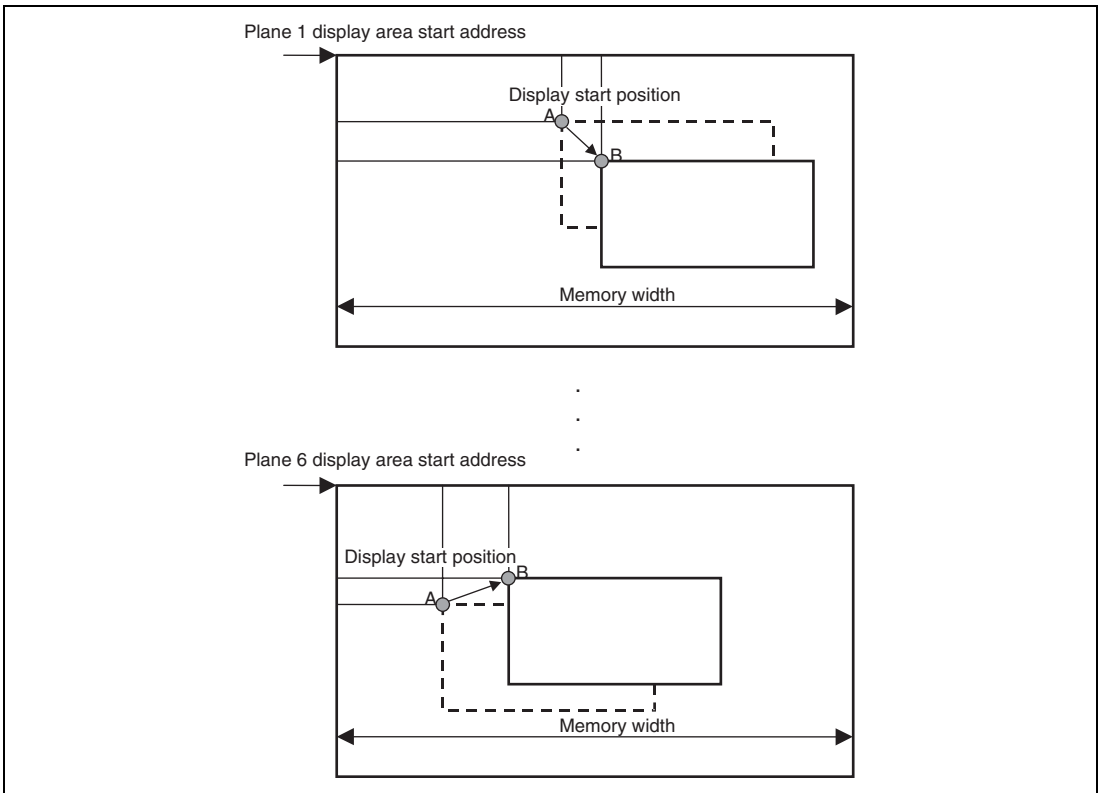


Figure 19.9 Schematic Diagram of Scroll Display

19.4.13 Wraparound Display

In addition to display scrolling, wrap-around display, which can be used in spherical scrolling, is possible for each plane. When enabling wrap-around display, the PnWAE bit in PnMR is set. As a result of changing the plane n display start position X, Y (the plane n start position X set in PnSPXR and the plane n start position Y set in PnSPYR) in order to scroll the display, even when plane n overflows the wrap-around area, the wrap-around area is seen as a spherical surface in wrap-around display, as in figure 19.10, and the part overflowing is complemented and displayed. The method used to specify the wrap-around area is described below.

1. The leading address of the memory used for plane n is specified in PnDSA0R and PnDSA1R.
2. With the beginning of the specified memory as origin, the upper-left coordinates of the wrap-around area are specified in PnWASPR. The X-direction width of the wrap-around area is the memory width set in PnMWR.
3. The Y-direction width of the wrap-around area is set in PnWAMWR.

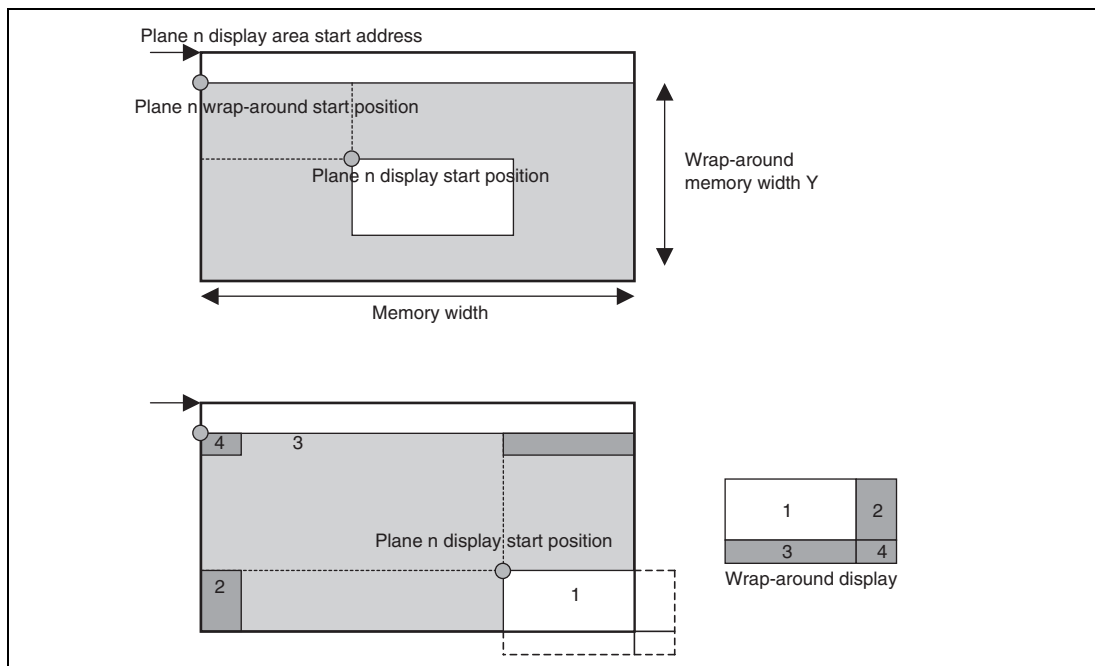


Figure 19.10 Schematic Diagram of Wraparound Display

Note: When wrap-around display is disabled (when the PnWAE bit in PnMR is 0), the part overflowing the wrap-around area becomes the color specified by BPOR, and superposition processing using this color is performed.

19.4.14 Upper-Left Overflow Display

For each plane, a display start position in memory (PnSPXR, PnSPYR) and display size (PnDSXR, PnDSYR) can be set arbitrarily, so that by combining and using these registers, areas overflowing the upper-left relative to the monitor origin (upper-left corner) can be displayed without overwriting display data in memory.

For a picture of size (DSX, DSY) and with start position (SPX, SPY), by setting the size to (DSX- Δ X, DSY- Δ Y) and the start position to (SPX+ Δ X, SPY+ Δ Y), the Δ X part overflowing on the left side and the Δ Y part overflowing on top can be displayed. At this time, the display position (PnDPXR, PnDPYR) is fixed at 0.

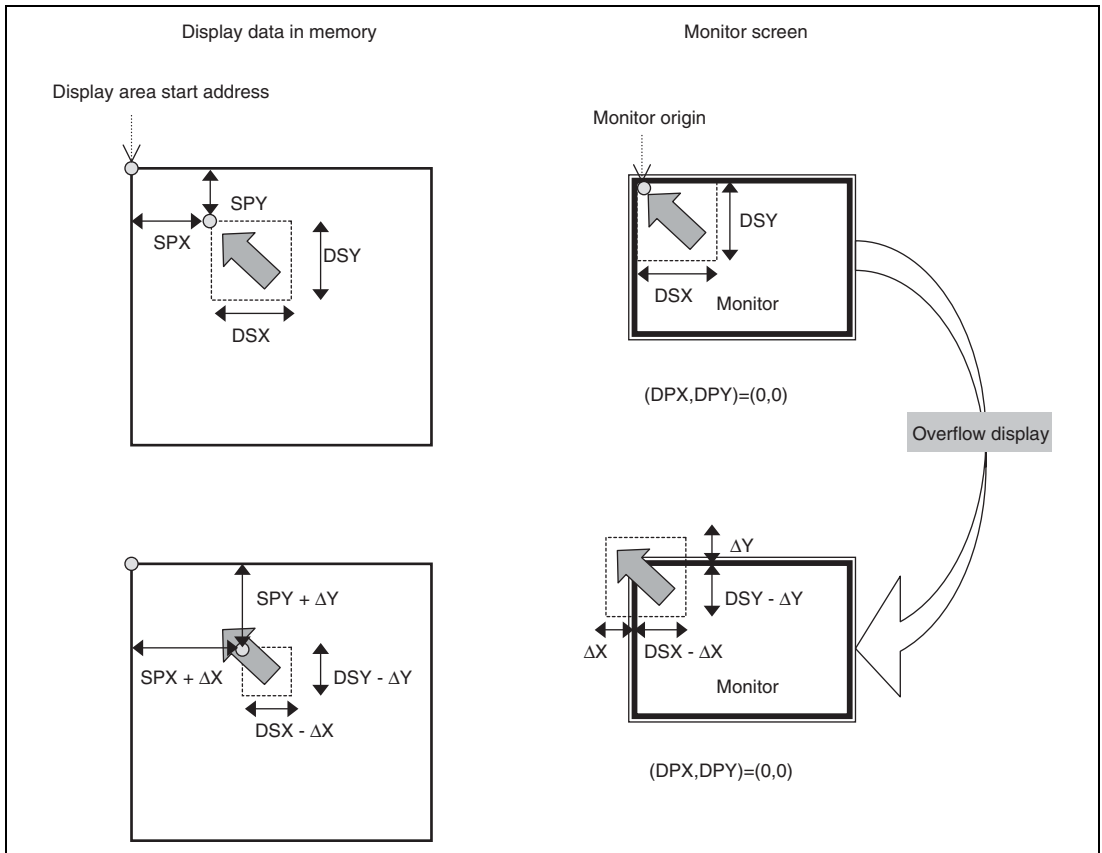


Figure 19.11 Schematic Diagram of Upper-Left Overflow Display

19.4.15 Double Buffer Control

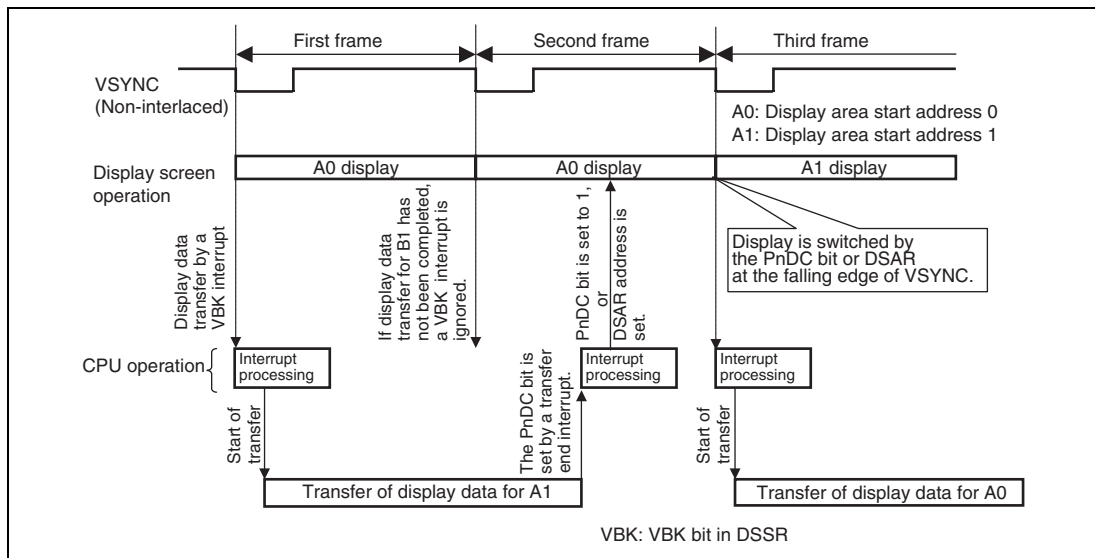
The double buffer control of the display unit (DU) includes two types of functions, which are a manual display change mode in which display switching is all controlled by software, and an auto display change mode to realize blinking.

In the case of manual display change mode, the display change is performed in frame units for non-interlaced and interlaced sync display, and in field units for interlaced sync & video display. In the case of auto display change mode, all switching is performed in field units.

Manual Display Change Mode: In manual display change mode, display frame switching is controlled by software. Display switching can either be performed by software using the PnDC bit in PnMR, or by setting the buffer 0 or buffer 1 start address in PnDSA0R and PnDSA1R indicated by the DFBn bit in DSSR.

When making a transition from this mode to another mode, the PnDC bit should always be set to 1 first.

The following shows a control example for the manual display mode.



Auto Display Change Mode: For information on the auto display change mode, refer to section 19.4.11, Blinking.

19.4.16 Sync Mode

In order to facilitate synchronization with external equipment, in addition to master mode, a TV synchronization function is provided. Selection of master mode and TV sync mode is performed using the TVM bit in DSYSR. Regardless of the synchronization method, the position of the falling edge of the vertical sync signal (VSYNC) set by VSPR is detected and is reflected in the FRM bit and VBK bit in DSSR.

Master Mode (Internal Sync Mode): By setting the period and pulse width of the horizontal and vertical sync signals (HSYNC, VSYNC) in the display timing generation register, the corresponding waveforms are output. Also, display data is output in sync with these signals.

When in interlaced sync mode and interlaced sync & video mode, a signal is output to the ODDF pin indicating odd/even fields.

TV Sync Mode (External Sync Mode): In TV sync mode, display data is output in sync with a horizontal sync signal and vertical sync signal (EXHSYNC, EXVSYNC) input from a TV, video, or other external sync signal generation circuit. Display data is output with reference to the falling edge of the EXHSYNC signal and the rising edge of the EXVSYNC signal.

The horizontal sync signal, vertical sync signal, and clock signal from the external sync signal generation circuit are input to the $\overline{\text{HSYNC}}$, $\overline{\text{VSYNC}}$, and DCLKIN pin, respectively. CSYNC is at high level. When in interlaced sync mode and interlaced sync & video mode, a signal should be input to the ODDF pin indicating odd/even fields. When in non-interlaced mode, the input to the ODDF pin should be fixed at low level or at high level.

When operating the unit in TV sync mode also, values must be set in HCR, HSWR, VCR, and VSPR (display timing generation registers).

When the EXVSYNC signal is input, either before or after completion of display of the display size portion set in the display unit (DU), the display unit (DU) performs vertical display completion operation and transitions to control for the next screen. When the EXVSYNC signal is not input, the unit continues to wait for the EXVSYNC signal while remaining in the vertical blanking interval (auto-control is not performed). Similarly, when the EXHSYNC signal is input the display unit (DU) performs horizontal display completion operation and transitions to control for the next raster line; but if the EXHSYNC signal is not input, the unit continues to wait for the EXHSYNC signal while remaining in the horizontal blanking interval (auto-control is not performed).

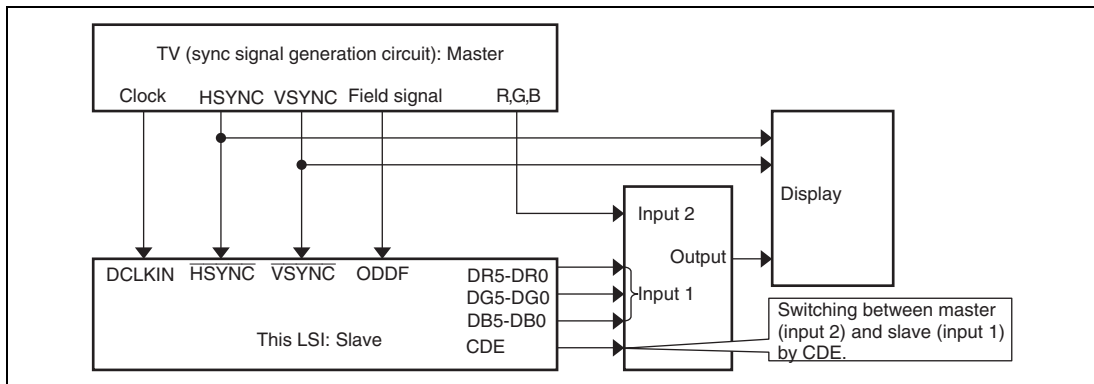


Figure 19.12 Signal Flow in TV Sync Mode

Sync Method Switching Mode: When switching from master mode into TV sync mode, or from TV sync mode into master mode, when necessary this mode should be switched into first. Even if a transition to this mode is not made first, switching of the synchronization method is possible.

In this mode, input/output pins connected to the display unit (DU) are for input, and so pin collision can be avoided. Also, in this mode no display operation is performed, and the internal dot clock is stopped, so that disorder in the input dot clock has no effect on display operation.

19.5 Display Control

19.5.1 Display Timing Generation

In the display unit (DU), display timing is generated for the horizontal direction and vertical direction of the display screen. Display timing is set by using display timing generation registers. Figure 19.13 shows the display timing in non-interlaced mode. Here, the display screen is defined in terms of the variables of Table 19.13.

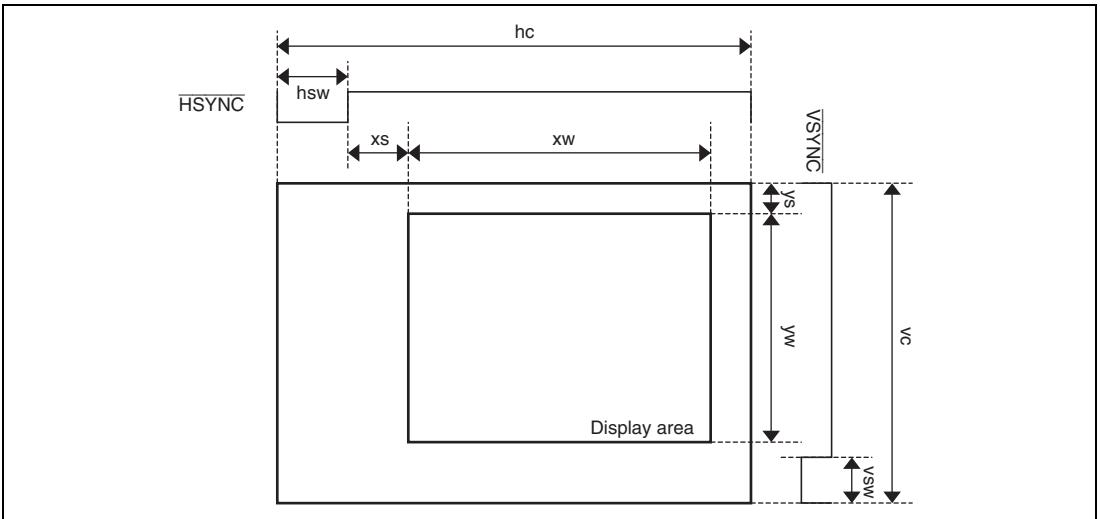


Figure 19.13 Display Timing Generation for Horizontal Direction and Vertical Direction of Display Screen

Table 19.13 Variables Defined in Display Screen

Variables	Contents	Units
hc* ¹	Horizontal scan period	Dot clock
hsw	Horizontal sync pulse width	Dot clock
xs	From rise of HSYNC to display start position in the horizontal direction of the display screen	Dot clock
xw	Display width per 1 raster of display screen	Dot clock
vc* ²	Vertical scan period	Raster line
vsw	Vertical sync pulse width	Raster line
ys	From rise of VSYNC to display start position in the vertical direction of the display screen	Raster line
yw	Vertical display period of display screen	Raster line

Notes: 1. Should be set such that $hsw + xs + xw < hc + 18$ (decimal)

2. Should be set such that $vsw + ys + yw < vc$

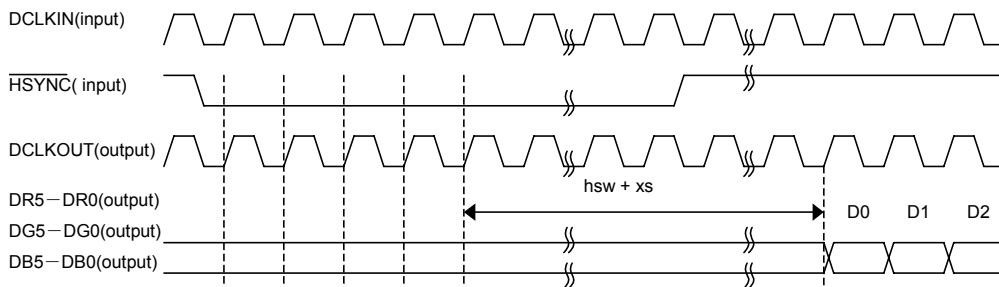
The display timing generation register settings are different depending on the scan method and synchronization method. Hence the value of the display timing generation register should be set after performing calculations like those indicated in Table 19.14.

Table 19.14 Correspondence Table of Settings of Display Timing Generation Registers

Register Name	Bit Name	Synchronization Method	
		Master Mode	TV Sync Mode
Horizontal display start position register (HDSR)	HDS	$hsw + xs - 19$	$hsw + xs - 24$ * ²
Horizontal display end position register (HDER)	HDE	$hsw + xs - 19 + xw$	$hsw + xs - 24 + xw$ * ²
Vertical display start position register (VDSR)	VDS	$ys - 2$ * ³	$ys - 2$ * ³
Vertical display end position register (VDER)	VDE	$ys - 2 + yw$	$ys - 2 + yw$
Horizontal synchronous pulse width register (HSWR)	HSW	$hsw - 1$	$hsw - 1$
Horizontal scan period register (HCR)	HC	$hc - 1$	$hc - 1$
Vertical synchronous position register (VSPR)	VSP	$vc - vsw - 1$	$vc - vsw - 1$
Vertical scan period register (VCR)	VC	$vc - 1$	$vc - 1$

Notes: The numerical values in the above table are decimal numbers.

1. In all scan modes, VDS, VDE, VSP, VC settings are in single-field units.
2. The values of HDS and HDE are from the fourth rising edge of DCLKOUT after detection of the falling edge of HSYNC through the rising edge of DCLKOUT.



3. VDS should be set to 1 or greater.
4. HC should be set so as to satisfy $HC > HDE$.

19.5.2 CSYNC

When in master mode, a CSYNC (composite sync) signal is output. EQWR is used to set the low-level pulse width of the CSYNC equal pulse. SPWR is used to set the low-level pulse width of the CSYNC separation pulse.

The CSYNC waveform is selected using the CSY bit in DSMR.

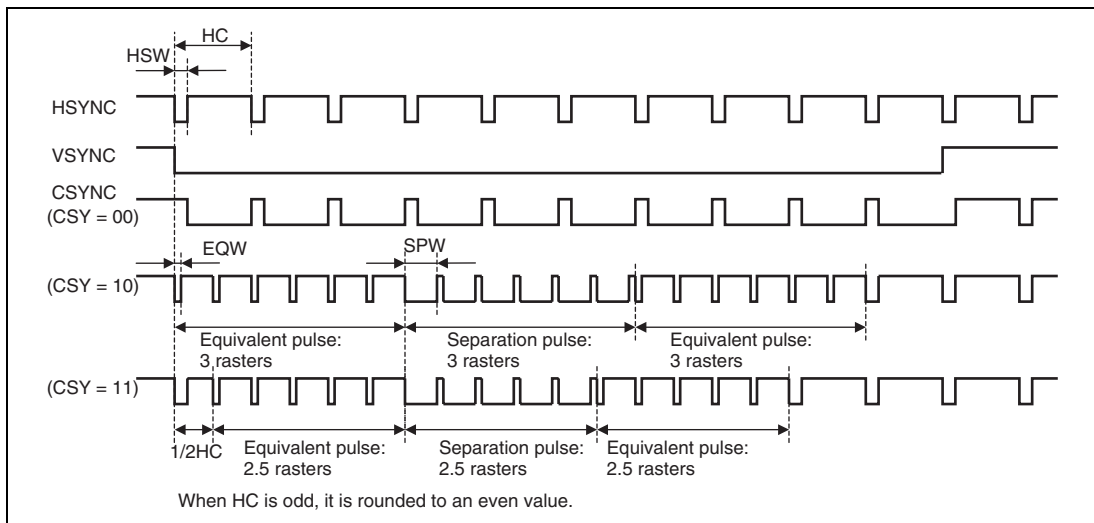


Figure 19.14 CSYNC Timing Chart (Non-Interlaced Mode, First Half of Interlace Frame)

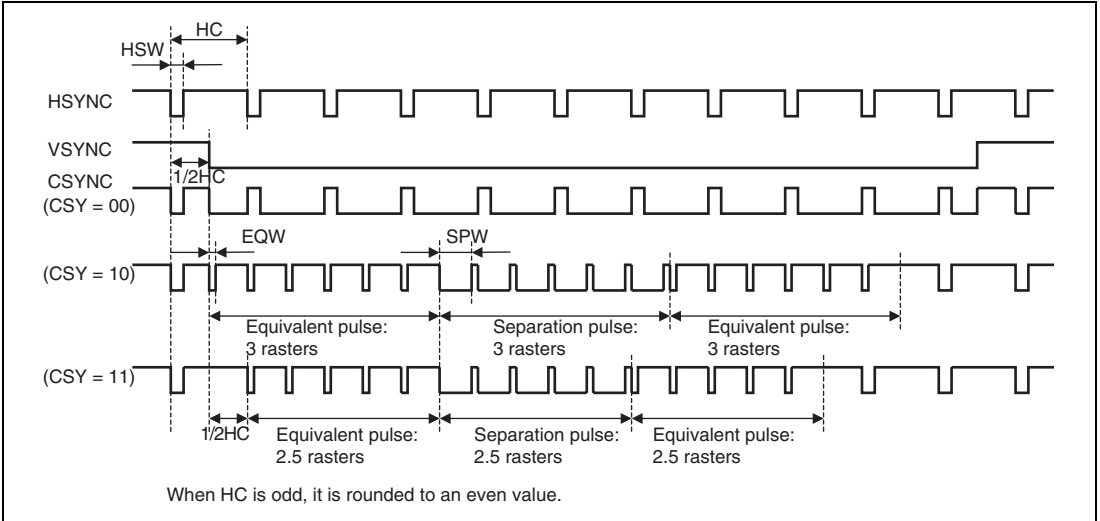


Figure 19.15 CSYNC Timing Chart (Last Half of Interlace Frame)

19.5.3 Scan Method

The scan method can be selected from among non-interlaced mode, interlaced sync mode, and interlaced sync & video mode. The mode is selected using the SCM bit in DSYSR.

- Non-interlaced mode
In this scan method, one frame consists of a single field.
- Interlaced sync mode
In this scan method, one frame consists of two fields. The two fields are an even field and an odd field, displaying the same data.
- Interlaced sync & video mode
In this scan method, one frame consists of two fields. The two fields are an even field and an odd field, displaying different data.

The ODEV bit in DSMR is used to set the display order of fields in interlaced sync mode and in interlaced sync & video mode. When the ODEV bit is 0, the display order for one frame is odd field, then even field; when the ODEV bit is 1, the order for one frame is even field, then odd field.

When in master mode, high level is output from the ODDF pin during even field display, and low level is output during odd field display. When in TV sync mode, high level is input to the ODDF pin to cause display of the even field, and low level is input to cause display of the odd field.

Note: When non-interlaced mode is selected in TV sync mode, the ODDF pin should be fixed at low level or high level.

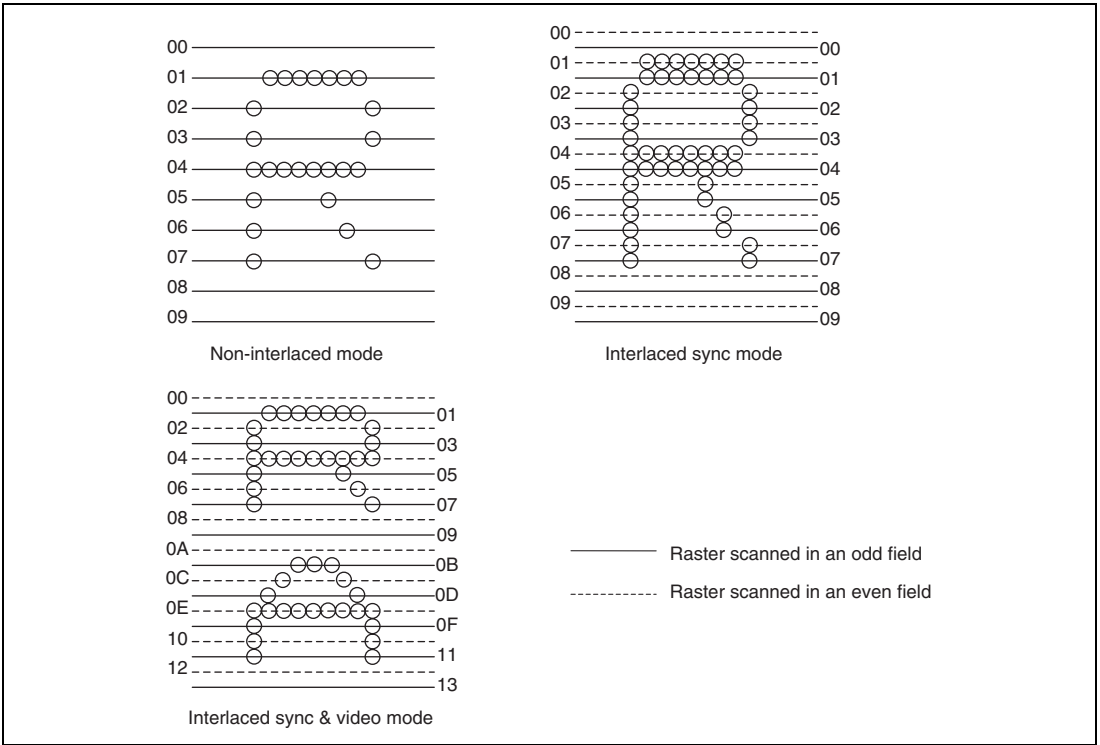


Figure 19.16 Example of Display in Each Scan Mode

- Example of vertical scan period

Non-interlaced mode: 1/60 second/field, 1/30 second/frame

Interlaced mode: 1/30 second/frame

Interlaced sync & video mode: 1/30 second/frame

- Display in non-interlaced method

In this method, all lines are displayed at once without providing intervals between input video signals.

This input method is for monitors capable of high-resolution display.

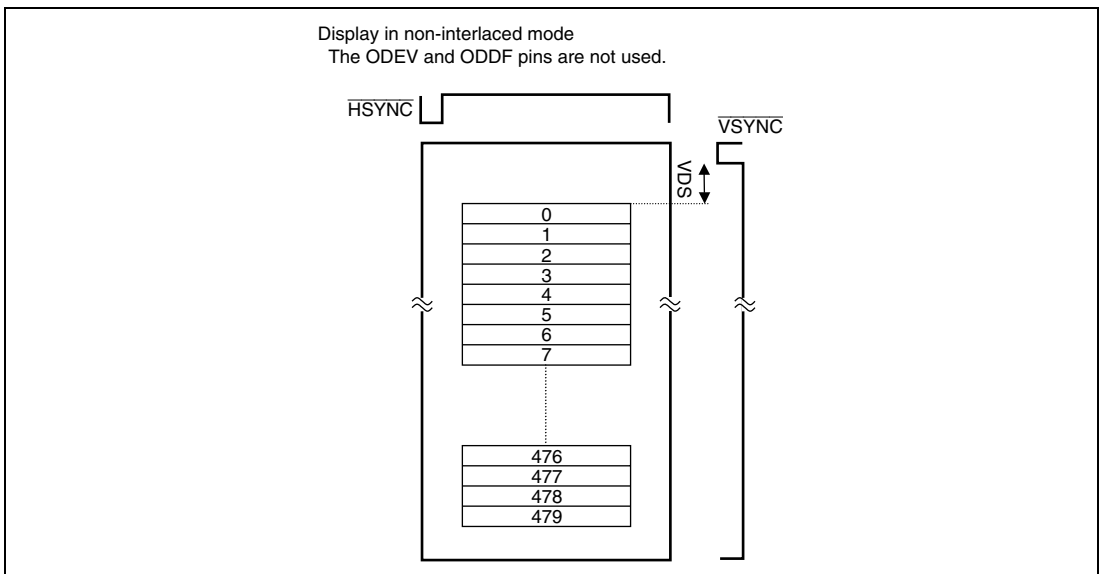


Figure 19.17 Display in Non-Interlaced Method

• Display in interlaced method

At every scan period VC of the input video signal, even lines and odd lines are switched and displayed in alternation, and a single screen (one frame) is combined and displayed (with the afterimage of the preceding VC) with a period of 2VC. This is the normal TV input method.

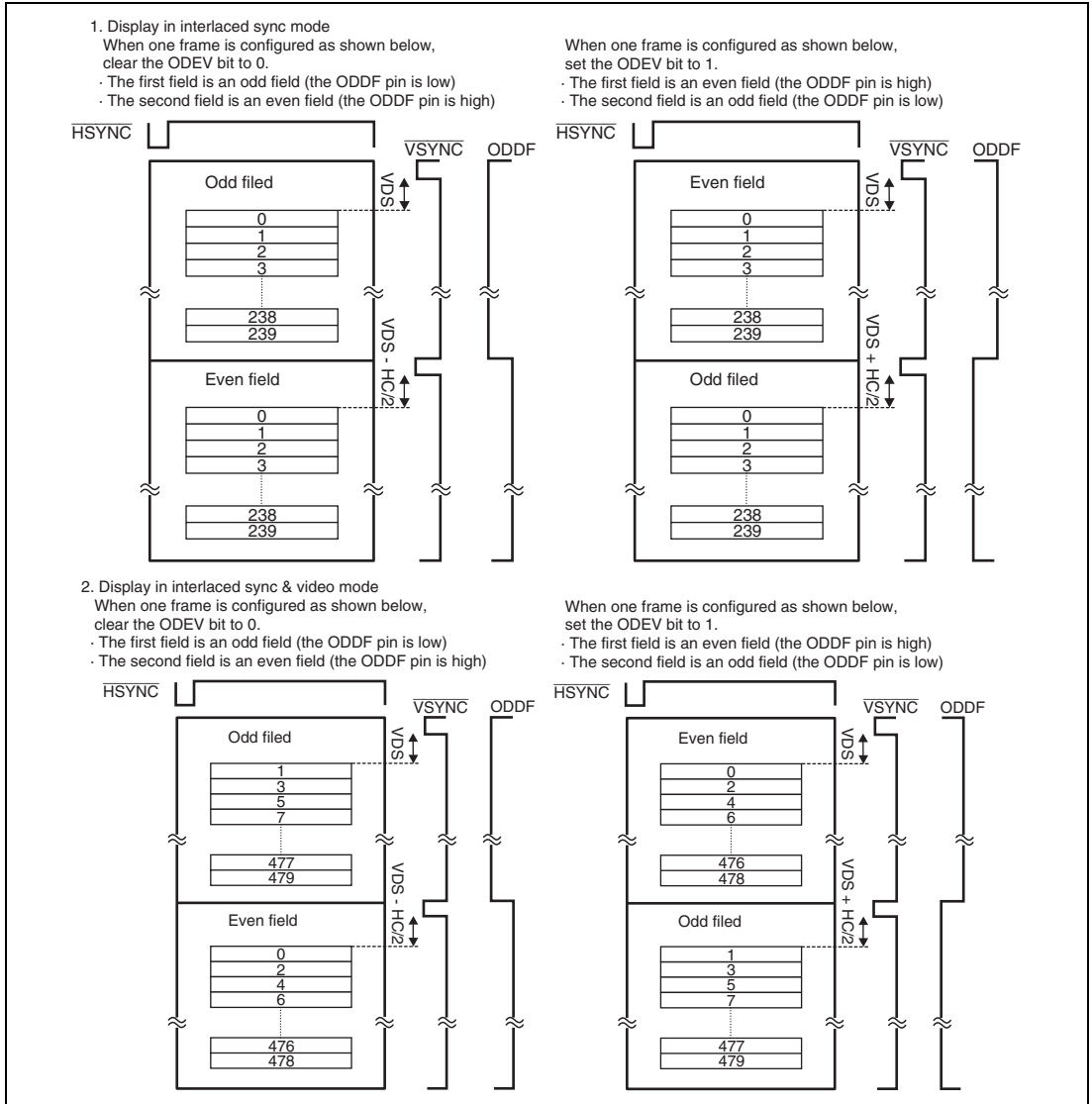


Figure 19.18 Display in Interlaced Method

19.5.4 Color Detection

When output display data matches a color set in CDER, high level is output from the CDE pin. The CDEM bit in DSMR can be used to fix the level outside display intervals. Also, the CDEL bit in DSMR can be used to select the polarity of the output level.

Table 19.15 Output Level of the CDE Pin

CDEL	CDEM	The CDE pin in display intervals		The CDE pin outside display intervals	
		Result of comparison of output display data and color detection register		Value of the color detection register*	
		Same	Different	0	Other than 0
0	00	High level	Low level	High level	Low level
0	01	High level	Low level	High level	Low level
0	10	High level	Low level	Low level	Low level
0	11	High level	Low level	High level	High level
1	00	Low level	High level	Low level	High level
1	01	Low level	High level	Low level	High level
1	10	Low level	High level	High level	High level
1	11	Low level	High level	Low level	Low level

Note: * Output display data is 0 outside display intervals.

19.5.5 Output Signal Timing Adjustment

The display unit (DU) enables selection of output timing, with respect to the output dot clock, of the various output signals (the four sync signals HSYNC, VSYNC, CSYNC, ODDF, as well as DISP, CDE, CLAMP, DE, digital RGB signals). Timing is selected by setting OTAR.

Table 19.16 Output Signal Timing Setting Parameters

Bit Name in OTAR	Description
SYNCA	Sets output timing of the HSYNC, VSYNC, CSYNC, ODDF signal
DISPA	Sets output timing of the DISP signal
CDEA	Sets output timing of the CDE signal
DRGBA	Sets output timing of digital RGB signal
CLAMPA	Sets output timing of the CLAMP signal
DEA	Sets output timing of the DE signal

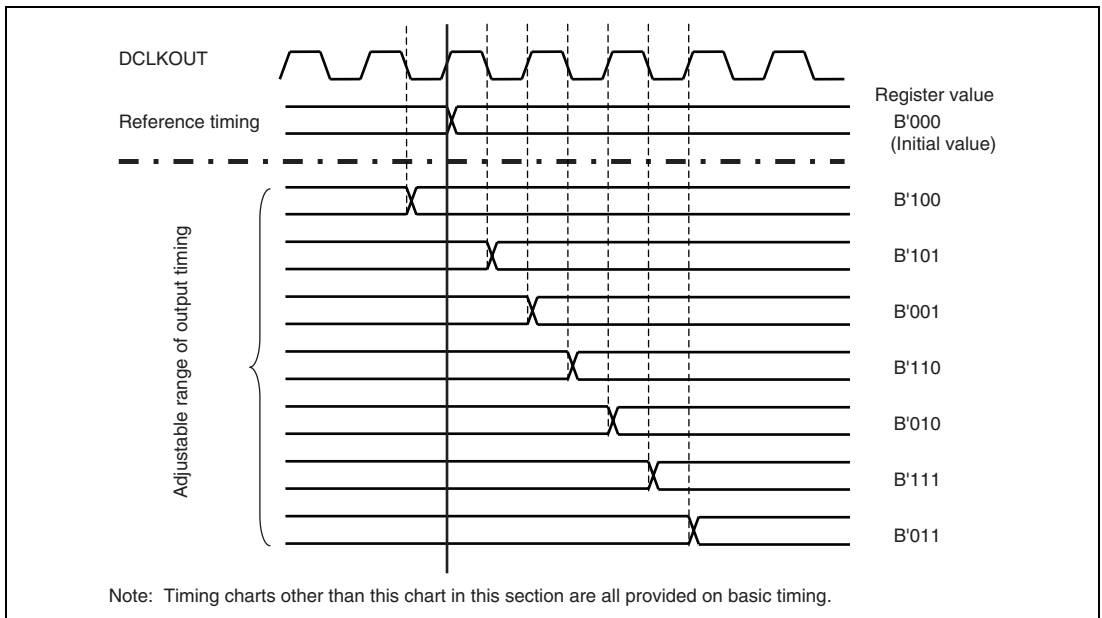


Figure 19.19 Adjustable Range of Output Timing

19.5.6 CLAMP Signal and DE Signal

The display unit (DU) generates a CLAMP signal and DE signal, independent of the DISP signal indicating the display interval.

The rising-edge start position and high-level width of the CLAMP signal and DE signal, with reference to the HSYNC signal falling edge, can be set in dot clock units. Figure 19.20 shows the timing chart.

However, the DE signal is fixed at low level during the vertical blanking interval.

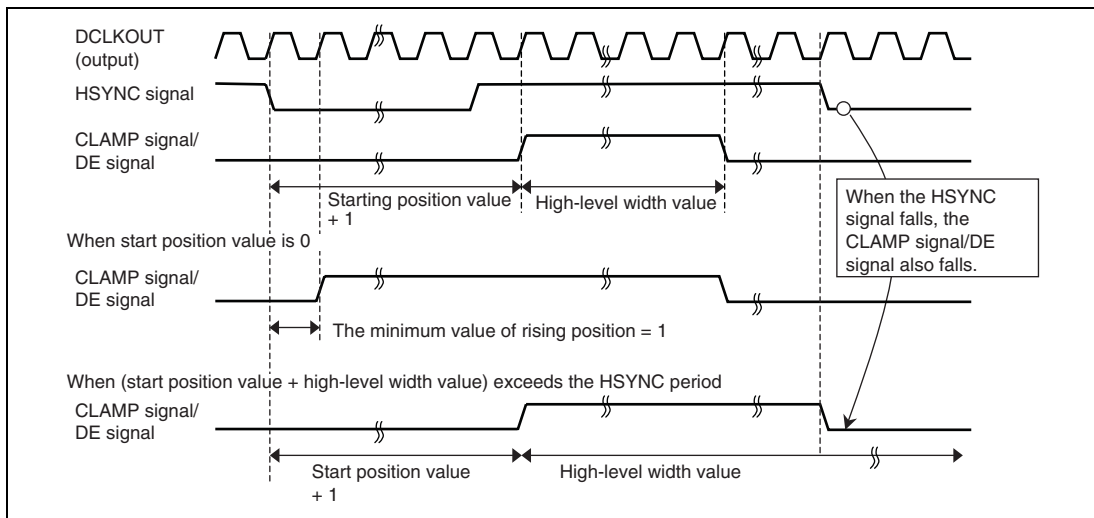


Figure 19.20 CLAMP Signal and DE Signal

19.6 Power-Down Sequence

When executing the power-down sequence by the following modes or functions, turn off the display in advance.

1. Sleep mode
2. Deep sleep mode
3. Module standby
4. Change of frequency
5. Manual reset

Even when the display unit (DU) enters the power-down sequence, the register values are retained. During a power-down sequence, do not access the display unit (DU).

19.6.1 Procedures before Executing the Power-Down Sequence

1. Display is turned off by setting both the DEN and DRES bits in DSYSR to 0.
2. Use the VBK bit in DSSR to confirm the next VBK flag (because the display is turned off with the timing of VBK).
3. The display unit (DU) displays the data in DOOR before the display is turned off.
4. Execute the power-down sequence.
5. Display unit (DU) is turned off.

19.6.2 Resetting the Power-Down Sequence

1. Reset the power-down sequence and start the clock.
2. Make settings to turn the display on, with the DEN and DRES bits in DSYSR set to 1 and 0 respectively.

Section 20 Graphics Data Translation Accelerator (GDTA)

This block incorporates a YUV data conversion processing module (CL) that converts data in the YUV 4:2:0 format to YUV 4:2:2 or ARGB format, as well as a video processing module (MC) that generates estimated images using motion vectors.

A GADMAC is provided within the GDTA; the internal GADMAC performs high-speed data transfer between external DDR2-SDRAM and the internal image processing function block, bypassing the CPU. This block is also provided with buffer RAM; the buffer RAM is used for color conversion table data in CL processing and as storage work RAM for IDCT data in MC processing. RAM read access is performed by the internal GADMAC, to realize high-speed image processing.

20.1 Features

- **CL: YUV data conversion processing unit**
Reads an image in external memory, processes the data, and writes the data back to external memory
Conversion modes: YUV 4:2:0 → YUV 4:2:2 (YUYV mode), ARGB8888 (ARGB mode)
- **MC: Video processing control unit**
Reads images in external memory, processes the data, and writes the data back to external memory
Generates estimated images through motion vectors in macroblock units (Y: 16 pixels x 16 lines, U/V: 8 pixels x 8 lines)
Modes: Forward, reverse, bidirectional, and intra macroblock processing
- **Internal GADMAC dedicated to data transfer and internal data buffer RAM**
The GADMAC for data transfer has four channels, and is capable of high-speed data transfer bypassing the CPU.

In addition, 8 Kbytes of buffer RAM each are incorporated for both color conversion table data storage in CL processing, and for IDCT data storage in MC processing.

Figure 20.1 shows the GDTA block diagram.

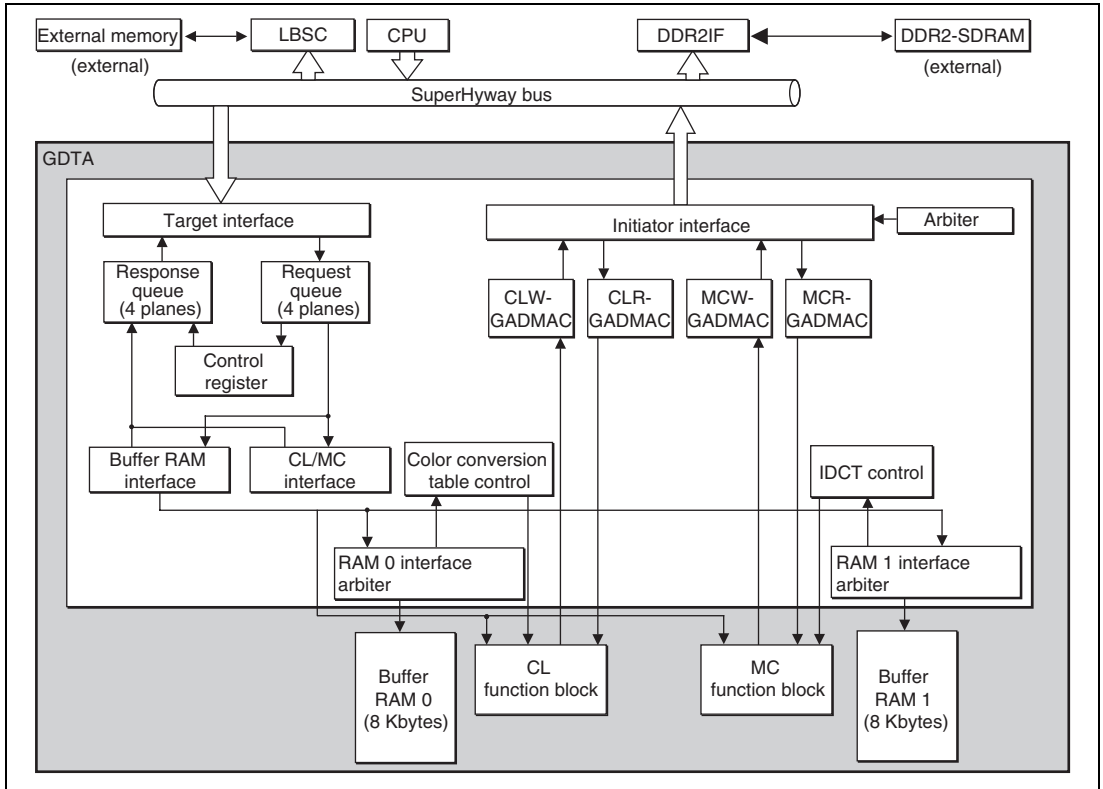


Figure 20.1 GDTA Block Diagram

(1) Target Interface

The target interface controls access by the CPU to the GDTA internal registers, buffer RAM 0/1, and CL and MC function blocks (image processing function blocks). The target interface places a request queue/response queue in the high-speed SuperHyway bus reception unit, and alleviates the access load of the initiator on this bus.

(2) Initiator Interface

Four GADMAC channels are provided within the GDTA, for data control during DMA data transfer between external memory and internal image processing function blocks.

(3) GADMAC (CLR_GADMAC, CLW_GADMAC, MCR_GADMAC, MCW_GADMAC)

The GADMAC executes DMA control of data transfer between external memory and internal image processing function blocks. A total of four channels are provided, including two channels for CL functions and two channels for MC functions. The GADMAC is controlled through registers within the CL function block and MC function block.

Applications of each of the channels are as follows.

CLR_GADMAC: Data transfer from external memory to the CL function block (read data transfer)

CLW_GADMAC: Data transfer from the CL function block to external memory (write data transfer)

MCR_GADMAC: Data transfer from external memory to the MC function block (read data transfer)

MCW_GADMAC: Data transfer from the MC function block to external memory (write data transfer)

* External memory: The external DDR2-SDRAM or the external memory connected to the local bus.

(4) Color Conversion Table Control

In color conversion table control, color conversion table data is transferred between buffer RAM 0 and the CL function block.

(5) IDCT Control

In IDCT control, IDCT data is transferred between the buffer RAM 1 and MC function block.

(6) Buffer RAM

Buffer RAM consists of two SRAM units each with an 8-Kbyte capacity. The RAM is used to store color conversion table data for CL functions (buffer RAM 0) and to store IDCT data for MC functions (buffer RAM 1). The entire 16-Kbyte capacity of this buffer RAM is allocated to a memory map seen from the CPU. Valid access sizes are 4, 8, 16 and 32 bytes, and invalid access sizes are 1 and 2 bytes.

(7) Buffer RAM Interface

The buffer RAM interface controls access to the buffer RAM 0/1. When there is access contention between the CPU and the color conversion table transfer unit or the IDCT data transfer unit, bus arbitration is performed. The buffer RAM interface exists as two independent blocks for the two buffer RAM units. Because there is no access contention even during simultaneous reading of buffer RAM 0 by the color conversion table data transfer unit and reading of buffer RAM 1 by the IDCT table transfer unit, processing delays due to wait states and so on do not occur.

(8) CL Function Block

This block realizes CL functions. Specifically, data in YUV 4:2:0 format is converted into YUV 4:2:2 format or into ARGB8888 format.

(9) MC Function Block

This block realizes MC functions. Specifically, estimated images are generated using motion vectors.

(10) CL/MC Bus Interface

The CL/MC bus interface controls access to the CL/MC function block by the CPU.

(11) Arbiter

When there is contention of access from each GADMAC in the GDTA to the SuperHyway bus, bus arbitration is performed.

20.2 GDTA Address Space

Figure 20.2 shows the GDTA address space (physical addresses). The GDTA consists of a number of function blocks; the address space is divided into function block units owned by the respective blocks. However, not all actually existing addresses are on the space; addresses following those in a function block are mapped as mirror spaces for the function block. For the details of addresses actually existing in each function block, refer to section 20.3, Register Descriptions. Mirror spaces also exist in buffer RAM.

Note: The space from H'FE40_3000 to H'FE40_3FFF, excluding the space for registers DRCL_CTL, DWCL_CTL, DRMC_CTL, DWMC_CTL, DCP_CTL, and DID_CTL is a reserved area, and write access is prohibited. If write access is made, correct operation cannot be guaranteed.

P4 area address	Area 7 address	
H'FE40 0000	H'1E40 0000	Common registers for bus interface
H'FE40 1000	H'1E40 1000	CL
H'FE40 2000	H'1E40 2000	MC
H'FE40 3000	H'1E40 3000	Reserved
H'FE41 0000	H'1E41 0000	Buffer RAM 0 (8 Kbytes)
H'FE41 2000	H'1E41 2000	Undefined (buffer RAM 0 mirror space: 8 Kbytes × 7)
H'FE42 0000	H'1E42 0000	Buffer RAM 1 (8 Kbytes)
H'FE42 2000	H'1E42 2000	Undefined (buffer RAM 1 mirror space: 8 Kbytes × 7)
H'FE43 0000	H'1E43 0000	Reserved
H'FE4F FFFF	H'1E4F FFFF	

Figure 20.2 GDTA Address Space Map (Physical Addresses)

20.3 Register Descriptions

Table 20.1 to 20.3 show the register configuration of the GDTA. Table 20.4 to 20.6 show the register states in each processing mode.

Table 20.1 GDTA Register Configuration (GDTA Common Registers)

Name	Abbreviation	R/W	P4 Address	Area 7 Address	Access Size	Sync Clock
GA mask register	GACMR	R/W	H'FE40 000C	H'1E40 000C	32	GAck
GA enable register	GACER	R/W	H'FE40 0010	H'1E40 0010	32	GAck
GA processing end interrupt source indicating register	GACISR	R	H'FE40 0014	H'1E40 0014	32	GAck
GA processing end interrupt source indication clear register	GACICR	W	H'FE40 0018	H'1E40 0018	32	GAck
GA interrupt enable register	GACIER	R/W	H'FE40 001C	H'1E40 001C	32	GAck
GA CL output data alignment register	DWCL_CTL	R/W	H'FE40 3000	H'1E40 3000	32	GAck
GA CL input data alignment register	DRCL_CTL	R/W	H'FE40 3200	H'1E40 3200	32	GAck
GA MC input data alignment register	DRMC_CTL	R/W	H'FE40 3400	H'1E40 3400	32	GAck
GA MC output data alignment register	DWMC_CTL	R/W	H'FE40 3600	H'1E40 3600	32	GAck
GA buffer RAM 0 data alignment register	DCP_CTL	R/W	H'FE40 3800	H'1E40 3800	32	GAck
GA buffer RAM 1 data alignment register	DID_CTL	R/W	H'FE40 3A00	H'1E40 3A00	32	GAck

Table 20.2 GDTA Register Configuration (CL Block)

Name	Abbreviation	R/W	P4 Address	Area 7 Address	Access Size	Sync Clock
CL command FIFO	CLCF	W	H'FE40 1000	H'1E40 1000	32	GAck
CL control register	CLCR	R/W	H'FE40 1004	H'1E40 1004	32	GAck
CL status register	CLSR	R	H'FE40 1008	H'1E40 1008	32	GAck
CL frame width setting register	CLWR	R/W	H'FE40 100C	H'1E40 100C	32	GAck
CL frame height setting register	CLHR	R/W	H'FE40 1010	H'1E40 1010	32	GAck
CL input Y padding size setting register	CLYPR	R/W	H'FE40 1014	H'1E40 1014	32	GAck
CL input UV padding size setting register	CLUVPR	R/W	H'FE40 1018	H'1E40 1018	32	GAck
CL output padding size setting register	CLOPR	R/W	H'FE40 101C	H'1E40 101C	32	GAck
CL palette pointer setting register	CLPLPR	R/W	H'FE40 1020	H'1E40 1020	32	GAck

Table 20.3 GDTA Register Configuration (MC Block)

Name	Abbreviation	R/W	P4 Address	Area 7 Address	Access Size	Sync Clock
MC command FIFO	MCCF	W	H'FE40 2000	H'1E40 2000	32	GAck
MC status register	MCSR	R	H'FE40 2004	H'1E40 2004	32	GAck
MC frame width setting register	MCWR	R/W	H'FE40 2008	H'1E40 2008	32	GAck
MC frame height setting register	MCHR	R/W	H'FE40 200C	H'1E40 200C	32	GAck
MC Y padding size setting register	MCYPR	R/W	H'FE40 2010	H'1E40 2010	32	GAck
MC UV padding size setting register	MCUVPR	R/W	H'FE40 2014	H'1E40 2014	32	GAck
MC output frame Y pointer register	MCOYPR	R/W	H'FE40 2018	H'1E40 2018	32	GAck
MC output frame U pointer register	MCOUPR	R/W	H'FE40 201C	H'1E40 201C	32	GAck
MC output frame V pointer register	MCOVPR	R/W	H'FE40 2020	H'1E40 2020	32	GAck
MC past frame Y pointer register	MCPYPR	R/W	H'FE40 2024	H'1E40 2024	32	GAck
MC past frame U pointer register	MCPUPR	R/W	H'FE40 2028	H'1E40 2028	32	GAck
MC past frame V pointer register	MCPVPR	R/W	H'FE40 202C	H'1E40 202C	32	GAck
MC future frame Y pointer register	MCFYPR	R/W	H'FE40 2030	H'1E40 2030	32	GAck
MC future frame U pointer register	MCFUPR	R/W	H'FE40 2034	H'1E40 2034	32	GAck
MC future frame V pointer register	MCFVPR	R/W	H'FE40 2038	H'1E40 2038	32	GAck

Table 20.4 GDTA Register States in Each Processing Mode (GDTA Common Registers)

Register Abbreviation	Power-On Reset	Manual Reset	Sleep	Deep Sleep
GACMR	H'0000 0000	H'0000 0000	Retained	Retained
GACER	H'0000 0000	H'0000 0000	Retained	Retained
GACISR	H'0000 0000	H'0000 0000	Retained	Retained
GACICR	H'0000 0000	H'0000 0000	Retained	Retained
GACIER	H'0000 0000	H'0000 0000	Retained	Retained
DWCL_CTL	H'0000 0000	H'0000 0000	Retained	Retained
DRCL_CTL	H'0000 0000	H'0000 0000	Retained	Retained
DRMC_CTL	H'0000 0000	H'0000 0000	Retained	Retained
DWMC_CTL	H'0000 0000	H'0000 0000	Retained	Retained
DCP_CTL	H'0000 0000	H'0000 0000	Retained	Retained
DID_CTL	H'0000 0000	H'0000 0000	Retained	Retained

Table 20.5 GDTA States in Each Processing Mode (CL Block)

Register Abbreviation	Power-On Reset	Manual Reset	Sleep	Deep Sleep
CLCF	H'0000 0000	H'0000 0000	Retained	H'0000_0000
CLCR	H'0000 0000	H'0000 0000	Retained	Retained
CLSR	H'0000 0000	H'0000 0000	Retained	Retained
CLWR	H'0000 0000	H'0000 0000	Retained	Retained
CLHR	H'0000 0000	H'0000 0000	Retained	Retained
CLIYPR	H'0000 0000	H'0000 0000	Retained	Retained
CLIUVPR	H'0000 0000	H'0000 0000	Retained	Retained
CLOPR	H'0000 0000	H'0000 0000	Retained	Retained
CLPLPR	H'0000 0000	H'0000 0000	Retained	Retained

Note: A 0 is always read from these registers.

Table 20.6 GDTA States in Each Processing Mode (MC Block)

Register Abbreviation	Power-On Reset	Manual Reset	Sleep	Deep Sleep	Module Standby
MCCF	H'0000 0000	H'0000 0000	Retained	H'0000_0000	H'0000_0000
MCSR	H'0000 0000	H'0000 0000	Retained	Retained	Retained
MCWR	H'0000 0000	H'0000 0000	Retained	Retained	Retained
MCHR	H'0000 0000	H'0000 0000	Retained	Retained	Retained
MCYPR	H'0000 0000	H'0000 0000	Retained	Retained	Retained
MCUVPR	H'0000 0000	H'0000 0000	Retained	Retained	Retained
MCOYPR	H'0000 0000	H'0000 0000	Retained	Retained	Retained
MCOUPR	H'0000 0000	H'0000 0000	Retained	Retained	Retained
MCOVPR	H'0000 0000	H'0000 0000	Retained	Retained	Retained
MCPYPR	H'0000 0000	H'0000 0000	Retained	Retained	Retained
MCPUPR	H'0000 0000	H'0000 0000	Retained	Retained	Retained
MCPVPR	H'0000 0000	H'0000 0000	Retained	Retained	Retained
MCFYPR	H'0000 0000	H'0000 0000	Retained	Retained	Retained
MCFUPR	H'0000 0000	H'0000 0000	Retained	Retained	Retained
MCFVPR	H'0000 0000	H'0000 0000	Retained	Retained	Retained

Note: A 0 is always read from these registers.

20.3.1 GA Mask Register (GACMR)

GACMR is in the GDTA common register block and enables writing to the GA enable register (GACER). Writing to GACER is enabled by writing of the key code to this register. In the initial state, the key code is not written and writing to GACER is disabled.

Bit:	31	30	29	28	27	26	25	24	23	22	21	20	19	18	17	16
	GACM															
Initial value:	0	0	0	0	0	0	0	0	0	0	0	0	0	0	0	0
R/W:	R/W	R/W	R/W	R/W	R/W	R/W	R/W	R/W	R/W	R/W	R/W	R/W	R/W	R/W	R/W	R/W
Bit:	15	14	13	12	11	10	9	8	7	6	5	4	3	2	1	0
	GACM															
Initial value:	0	0	0	0	0	0	0	0	0	0	0	0	0	0	0	0
R/W:	R/W	R/W	R/W	R/W	R/W	R/W	R/W	R/W	R/W	R/W	R/W	R/W	R/W	R/W	R/W	R/W

Bit	Bit Name	Initial Value	R/W	Description
31 to 0	GACM	0	R/W	Write the key code [H'A55A 0FF0] to enable writing to GACER. If a value other than the key code is written, writing to the GA enable register is disabled.

20.3.2 GA Enable Register (GACER)

GACER is in the GDTA common register block and controls the block operation.

Bit:	31	30	29	28	27	26	25	24	23	22	21	20	19	18	17	16
	—	—	—	—	—	—	—	—	—	—	—	—	—	—	—	—
Initial value:	0	0	0	0	0	0	0	0	0	0	0	0	0	0	0	0
R/W:	—	—	—	—	—	—	—	—	—	—	—	—	—	—	—	—
Bit:	15	14	13	12	11	10	9	8	7	6	5	4	3	2	1	0
	—	—	—	—	—	—	—	—	—	—	—	—	—	—	MC_EN	CL_EN
Initial value:	0	0	0	0	0	0	0	0	0	0	0	0	0	0	0	0
R/W:	—	—	—	—	—	—	—	—	—	—	—	—	—	—	R/W	R/W

Bit	Bit Name	Initial Value	R/W	Description
31 to 2	—	All 0	—	Reserved These bits are always read as 0. The write value should always be 0.
1	MC_EN	0	R/W	Enables access to the MC registers. 0: Writing to the MC registers is invalid. The value read from the MC register is undefined. 1: Reading and writing are enabled.
0	CL_EN	0	R/W	Enables access to the CL registers. 0: Writing to the CL registers is invalid. The value read from the CL register is undefined. 1: Reading and writing are enabled.

20.3.3 GA Interrupt Source Indicating Register (GACISR)

GACISR is in the GDTA common register block and indicates the states of interrupt sources for each module.

Bit:	31	30	29	28	27	26	25	24	23	22	21	20	19	18	17	16
	—	—	—	—	—	—	—	—	—	—	—	—	—	—	—	—
Initial value:	0	0	0	0	0	0	0	0	0	0	0	0	0	0	0	0
R/W:	—	—	—	—	—	—	—	—	—	—	—	—	—	—	—	—
Bit:	15	14	13	12	11	10	9	8	7	6	5	4	3	2	1	0
	—	—	—	—	—	—	—	—	—	—	—	—	MC_ERR	CL_ERR	MC_END	CL_END
Initial value:	0	0	0	0	0	0	0	0	0	0	0	0	0	0	0	0
R/W:	—	—	—	—	—	—	—	—	—	—	—	—	R	R	R	R

Bit	Bit Name	Initial Value	R/W	Description
31 to 4	—	All 0	—	Reserved These bits are always read as 0. The write value should always be 0.
3	MC_EER	0	R	Indicates whether an MC module error interrupt has occurred. 0: No error 1: Error occurred
2	CL_EER	0	R	Indicates whether a CL module error interrupt has occurred. 0: No error 1: Error occurred
1	MC_END	0	R	Indicates whether an MC module processing end interrupt has occurred. 0: '1' has been written to the MC_ENCR bit in GACICR. 1: Processing completed
0	CL_END	0	R	Indicates whether a CL module processing end interrupt has occurred. 0: '1' has been written to the CL_ENCR bit in GACICR. 1: Processing completed

Note: MC processing completion is indicated when the command processing is complete and the end command is written to the MC command FIFO (see section 20.3.17, CL Input Y Padding Size Setting Register (CLIPR)).

20.3.4 GA Interrupt Source Indication Clear Register (GACICR)

GACICR is in the GDTA common register block and clears interrupt source indication for each module. Bits in this register are read as 0.

Bit:	31	30	29	28	27	26	25	24	23	22	21	20	19	18	17	16
	—	—	—	—	—	—	—	—	—	—	—	—	—	—	—	—
Initial value:	0	0	0	0	0	0	0	0	0	0	0	0	0	0	0	0
R/W:	—	—	—	—	—	—	—	—	—	—	—	—	—	—	—	—
Bit:	15	14	13	12	11	10	9	8	7	6	5	4	3	2	1	0
	—	—	—	—	—	—	—	—	—	—	—	—	MC_ERCR	CL_ERCR	MC_ENCR	CL_ENCR
Initial value:	0	0	0	0	0	0	0	0	0	0	0	0	0	0	0	0
R/W:	—	—	—	—	—	—	—	—	—	—	—	—	W	W	W	W

Bit	Bit Name	Initial Value	R/W	Description
31 to 4	—	All 0	—	Reserved These bits are always read as 0. The write value should always be 0.
3	MC_ERCR	0	W	Clears indication of an MC error interrupt (clears the MC_ERR bit) 0: No effect 1: Clears error interrupt indication
2	CL_ERCR	0	W	Clears indication of a CL error interrupt (clears the CL_ERR bit) 0: No effect 1: Clears error interrupt indication
1	MC_ENCR	0	W	Clears indication of an MC processing end interrupt (clears the MC_END bit) 0: No effect 1: Clears processing end interrupt indication
0	CL_ENCR	0	W	Clears indication of a CL processing end interrupt (clears the CL_END bit) 0: No effect 1: Clears processing end interrupt indication

20.3.5 GA Interrupt Enable Register (GACIER)

GACIER is in the GDTA common register block and sets interrupt output for each module.

Bit:	31	30	29	28	27	26	25	24	23	22	21	20	19	18	17	16
	—	—	—	—	—	—	—	—	—	—	—	—	—	—	—	—
Initial value:	0	0	0	0	0	0	0	0	0	0	0	0	0	0	0	0
R/W:	—	—	—	—	—	—	—	—	—	—	—	—	—	—	—	—
Bit:	15	14	13	12	11	10	9	8	7	6	5	4	3	2	1	0
	—	—	—	—	—	—	—	—	—	—	—	—	MC_	CL_	MC_	CL_
													EREN	EREN	ENEN	ENEN
Initial value:	0	0	0	0	0	0	0	0	0	0	0	0	0	0	0	0
R/W:	—	—	—	—	—	—	—	—	—	—	—	—	R/W	R/W	R/W	R/W

Bit	Bit Name	Initial Value	R/W	Description
31 to 4	—	All 0	—	Reserved These bits are always read as 0. The write value should always be 0.
3	MC_EREN	0	R/W	Controls output of an MC module error interrupt 0: Does not output the interrupt. 1: Outputs the interrupt.
2	CL_EREN	0	R/W	Controls output of a CL module error interrupt 0: Does not output the interrupt. 1: Outputs the interrupt.
1	MC_ENEN	0	R/W	Controls output of an MC module processing end interrupt 0: Does not output the interrupt. 1: Outputs the interrupt.
0	CL_ENEN	0	R/W	Controls output of a CL module processing end interrupt 0: Does not output the interrupt. 1: Outputs the interrupt.

20.3.6 GA CL Input Data Alignment Register (DRCL_CTL)

DRCL_CTL is in the GDTA common register block and specifies data alignment of CL input data.

Bit:	31	30	29	28	27	26	25	24	23	22	21	20	19	18	17	16
	—	—	—	—	—	—	—	—	—	—	—	—	—	—	—	—
Initial value:	0	0	0	0	0	0	0	0	0	0	0	0	0	0	0	0
R/W:	—	—	—	—	—	—	—	—	—	—	—	—	—	—	—	—
Bit:	15	14	13	12	11	10	9	8	7	6	5	4	3	2	1	0
	—	—	—	—	—	—	—	—	—	—	—	DCLR_DTAM	DCLR_DTSA	DCLR_DTUA		
Initial value:	0	0	0	0	0	0	0	0	0	0	0	0	0	0	0	0
R/W:	—	—	—	—	—	—	—	—	—	—	—	R/W	R/W	R/W	R/W	R/W

Bit	Bit Name	Initial Value	R/W	Description
31 to 5	—	All 0	—	Reserved These bits are always read as 0. The write value should always be 0.
4	DCLR_DTAM	0	R/W	Specifies data alignment conversion mode. 0: Data alignment is performed using an endian signal 1: Data alignment is performed using the DRCL_CTL register setting
3, 2	DCLR_DTSA	0	R/W	Specifies the data size for data alignment conversion. 00: No conversion 01: 64 bits 10: 32 bits 11: 16 bits
1, 0	DCLR_DTUA	0	R/W	Specifies the unit for data alignment conversion. 00: No conversion 01: 8 bits 10: 16 bits 11: 32 bits

Note: For details of data alignment conversion patterns, refer to section 20.6, Data Alignment.

20.3.7 GA CL Output Data Alignment Register (DWCL_CTL)

DWCL_CTL is in the GDTA common register block and specifies data alignment of CL output data.

Bit:	31	30	29	28	27	26	25	24	23	22	21	20	19	18	17	16
	—	—	—	—	—	—	—	—	—	—	—	—	—	—	—	—
Initial value:	0	0	0	0	0	0	0	0	0	0	0	0	0	0	0	0
R/W:	—	—	—	—	—	—	—	—	—	—	—	—	—	—	—	—
Bit:	15	14	13	12	11	10	9	8	7	6	5	4	3	2	1	0
	—	—	—	—	—	—	—	—	—	—	—	DCLW_DTAM	DCLW_DTSA	DCLW_DTUA		
Initial value:	0	0	0	0	0	0	0	0	0	0	0	0	0	0	0	0
R/W:	—	—	—	—	—	—	—	—	—	—	—	R/W	R/W	R/W	R/W	R/W

Bit	Bit Name	Initial Value	R/W	Description
31 to 5	—	All 0	—	Reserved These bits are always read as 0. The write value should always be 0.
4	DCLW_DTAM	0	R/W	Specifies data alignment conversion mode 0: Data alignment is performed using an endian signal 1: Data alignment is performed using the DWCL_CTL register setting
3, 2	DCLW_DTSA	0	R/W	Specifies the data size for data alignment conversion. 00: No conversion 01: 64 bits 10: 32 bits 11: 16 bits
1, 0	DCLW_DTUA	0	R/W	Specifies the unit for data alignment conversion. 00: No conversion 01: 8 bits 10: 16 bits 11: 32 bits

Note: For details of data alignment conversion patterns, refer to section 20.6, Data Alignment.

20.3.8 GA MC Input Data Alignment Register (DRMC_CTL)

DRMC_CTL is in the GDTA common register block and specifies data alignment of MC input data.

Bit:	31	30	29	28	27	26	25	24	23	22	21	20	19	18	17	16
	—	—	—	—	—	—	—	—	—	—	—	—	—	—	—	—
Initial value:	0	0	0	0	0	0	0	0	0	0	0	0	0	0	0	0
R/W:	—	—	—	—	—	—	—	—	—	—	—	—	—	—	—	—
Bit:	15	14	13	12	11	10	9	8	7	6	5	4	3	2	1	0
	—	—	—	—	—	—	—	—	—	—	—	DMCR_DTAM	DMCR_DTSA	DMCR_DTUA		
Initial value:	0	0	0	0	0	0	0	0	0	0	0	0	0	0	0	0
R/W:	—	—	—	—	—	—	—	—	—	—	—	R/W	R/W	R/W	R/W	R/W

Bit	Bit Name	Initial Value	R/W	Description
31 to 5	—	All 0	—	Reserved These bits are always read as 0. The write value should always be 0.
4	DMCR_DTAM	0	R/W	Specifies data alignment conversion mode 0: Data alignment is performed using an endian signal 1: Data alignment is performed using the DRMC_CTL register setting
3, 2	DMCR_DTSA	0	R/W	Specifies the data size for data alignment conversion. 00: No conversion 01: 64 bits 10: 32 bits 11: 16 bits
1, 0	DMCR_DTUA	0	R/W	Specifies the unit for data alignment conversion. 00: No conversion 01: 8 bits 10: 16 bits 11: 32 bits

Note: For details of data alignment conversion patterns, refer to section 20.6, Data Alignment.

20.3.9 GA MC Output Data Alignment Register (DWMC_CTL)

DWMC_CTL is in the GDTA common register block and specifies data alignment of MC output data.

Bit:	31	30	29	28	27	26	25	24	23	22	21	20	19	18	17	16
	—	—	—	—	—	—	—	—	—	—	—	—	—	—	—	—
Initial value:	0	0	0	0	0	0	0	0	0	0	0	0	0	0	0	0
R/W:	—	—	—	—	—	—	—	—	—	—	—	—	—	—	—	—
Bit:	15	14	13	12	11	10	9	8	7	6	5	4	3	2	1	0
	—	—	—	—	—	—	—	—	—	—	—	—	DMCW- DTAM	DMCW_DTSA	DMCW_DTUA	
Initial value:	0	0	0	0	0	0	0	0	0	0	0	0	0	0	0	0
R/W:	—	—	—	—	—	—	—	—	—	—	—	—	R/W	R/W	R/W	R/W

Bit	Bit Name	Initial Value	R/W	Description
31 to 5	—	All 0	—	Reserved These bits are always read as 0. The write value should always be 0.
4	DMCW_DTAM	0	R/W	Specifies data alignment conversion mode 0: Data alignment is performed using an endian signal 1: Data alignment is performed using the DWMC_CTL register setting
3, 2	DMCW_DTSA	0	R/W	Specifies the data size for data alignment conversion. 00: No conversion 01: 64 bits 10: 32 bits 11: 16 bits
1, 0	DMCW_DTUA	0	R/W	Specifies the unit for data alignment conversion. 00: No conversion 01: 8 bits 10: 16 bits 11: 32 bits

Note: For details of data alignment conversion patterns, refer to section 20.6, Data Alignment.

20.3.10 GA Buffer RAM 0 Data Alignment Register (DCP_CTL)

DCP_CTL is in the GDTA common register block and specifies data alignment of the data stored in buffer RAM 0.

Bit:	31	30	29	28	27	26	25	24	23	22	21	20	19	18	17	16
	—	—	—	—	—	—	—	—	—	—	—	—	—	—	—	—
Initial value:	0	0	0	0	0	0	0	0	0	0	0	0	0	0	0	0
R/W:	—	—	—	—	—	—	—	—	—	—	—	—	—	—	—	—
Bit:	15	14	13	12	11	10	9	8	7	6	5	4	3	2	1	0
	—	—	—	—	—	—	—	—	—	—	—	DCP_DTAM	DCP_DTSA	DCP_DTUA		
Initial value:	0	0	0	0	0	0	0	0	0	0	0	0	0	0	0	0
R/W:	—	—	—	—	—	—	—	—	—	—	—	R/W	R/W	R/W	R/W	R/W

Bit	Bit Name	Initial Value	R/W	Description
31 to 5	—	All 0	—	Reserved These bits are always read as 0. The write value should always be 0.
4	DCP_DTAM	0	R/W	Specifies data alignment conversion mode 0: Data alignment is performed using an endian signal 1: Data alignment is performed using the DCP_CTL register setting
3, 2	DCP_DTSA	0	R/W	Specifies the data size for data alignment conversion. 00: No conversion 01: 64 bits 10: 32 bits 11: 16 bits
1, 0	DCP_DTUA	0	R/W	Specifies the unit for data alignment conversion. 00: No conversion 01: 8 bits 10: 16 bits 11: 32 bits

Note: For details of data alignment conversion patterns, refer to section 20.6, Data Alignment.

20.3.11 GA Buffer RAM 1 Data Alignment Register (DID_CTL)

DID_CTL is in the GDTA common register block and specifies data alignment of the data stored in buffer RAM 1.

Bit:	31	30	29	28	27	26	25	24	23	22	21	20	19	18	17	16
	—	—	—	—	—	—	—	—	—	—	—	—	—	—	—	—
Initial value:	0	0	0	0	0	0	0	0	0	0	0	0	0	0	0	0
R/W:	—	—	—	—	—	—	—	—	—	—	—	—	—	—	—	—
Bit:	15	14	13	12	11	10	9	8	7	6	5	4	3	2	1	0
	—	—	—	—	—	—	—	—	—	—	—	DID_DTAM	DID_DTSA	DID_DTUA		
Initial value:	0	0	0	0	0	0	0	0	0	0	0	0	0	0	0	0
R/W:	—	—	—	—	—	—	—	—	—	—	—	R/W	R/W	R/W	R/W	R/W

Bit	Bit Name	Initial Value	R/W	Description
31 to 5	—	All 0	—	Reserved These bits are always read as 0. The write value should always be 0.
4	DID_DTAM	0	R/W	Specifies data alignment conversion mode 0: Data alignment is performed using an endian signal 1: Data alignment is performed using the DID_CTL register setting
3, 2	DID_DTSA	0	R/W	Specifies the data size for data alignment conversion. 00: No conversion 01: 64 bits 10: 32 bits 11: 16 bits
1, 0	DID_DTUA	0	R/W	Specifies the unit for data alignment conversion. 00: No conversion 01: 8 bits 10: 16 bits 11: 32 bits

Note: For details of data alignment conversion patterns, refer to section 20.6, Data Alignment.

20.3.12 CL Command FIFO (CLCF)

CLCF is in the CL register block and receives commands. This register uses the FIFO method and recognizes four command parameters according to the writing order. This register does not retain the written values. This register is always read as 0.

Bit:	31	30	29	28	27	26	25	24	23	22	21	20	19	18	17	16
	CL_CF															
Initial value:	0	0	0	0	0	0	0	0	0	0	0	0	0	0	0	0
R/W:	W	W	W	W	W	W	W	W	W	W	W	W	W	W	W	W
Bit:	15	14	13	12	11	10	9	8	7	6	5	4	3	2	1	0
	CL_CF															
Initial value:	0	0	0	0	0	0	0	0	0	0	0	0	0	0	0	0
R/W:	W	W	W	W	W	W	W	W	W	W	W	W	W	W	W	W

Bit	Bit Name	Initial Value	R/W	Description
31 to 0	CL_CF	0	W	Command FIFO register

Notes: 1. Setting Method

When accessing this register, the CL_EN bit in GACER should be set to 1. Access is possible only when the CL_EN bit is set to 1. If the CL_EN bit is 0, access is invalid (writing is invalid; the result of reading is indefinite).

The following shows the parameter contents assumed according to the writing order:

Writing Order	Setting Contents
CL command parameter 1	Input Y pointer
CL command parameter 2	Input U pointer
CL command parameter 3	Input V pointer
CL command parameter 4	Output pointer

} CL command

- Input Y pointer: Pointer for input Y data (Input Y data storing address)
- Input U pointer: Pointer for input U data (Input U data storing address)
- Input V pointer: Pointer for input V data (Input V data storing address)
- Output pointer: Pointer for output data (Output data storing address)

2. Setting Method When Setting Values in Succession
When setting values in this register in succession, the CL module is able to receive the next command while the CL_CFF bit in CLSR is 0. To perform processing by changing the command alone, just set the new command in this register.
3. The input Y/U/V pointers and output pointers must be set to point to addresses on 32-byte boundaries. If not, the lower address is regarded as 0.
4. Two commands can be received. If the next command is written when the command FIFO is full, the commands stored in the command FIFO are retained and the next command is ignored.

20.3.13 CL Control Register (CLCR)

CLCR is in the CL register block and specifies the CL operating mode.

Bit:	31	30	29	28	27	26	25	24	23	22	21	20	19	18	17	16
	—	—	—	—	—	—	—	—	—	—	—	—	—	—	—	—
Initial value:	0	0	0	0	0	0	0	0	0	0	0	0	0	0	0	0
R/W:	—	—	—	—	—	—	—	—	—	—	—	—	—	—	—	—
Bit:	15	14	13	12	11	10	9	8	7	6	5	4	3	2	1	0
	—	—	—	—	—	—	—	CL_DA					—	CL_OD	CL_OA	CL_MD
Initial value:	0	0	0	0	0	0	0	0	0	0	0	0	0	0	0	0
R/W:	—	—	—	—	—	—	—	R/W	R/W	R/W	R/W	R/W	—	R/W	R/W	R/W

Bit	Bit Name	Initial Value	R/W	Description
31 to 9	—	All 0	—	Reserved These bits are always read as 0. The write value should always be 0.
8 to 4	CL_DA	All 0	R/W	Specifies output data alignment. The correspondence between the alignment and specified value is shown in the following table.
3	—	0	—	Reserved This bit is always read as 0. The write value should always be 0.
2	CL_OD	0	R/W	Specifies output access size (access size for output) 0: 4 bytes 1: 32 bytes

Bit	Bit Name	Initial Value	R/W	Description
1	CL_OA	0	R/W	Specifies output address mode 0: Output address incremented When the output access size is 4 bytes, the address is incremented by H'4; when the output access size is 32 bytes, the address is incremented by H'20. 1: Output address fixed The address set in CLCF as command parameter 4 (output pointer) is output.
0	CL_MD	0	R/W	Specifies conversion mode 0: YUYV conversion Converts from YUV420 to YUV422 format 1: ARGB conversion Converts from YUV420 to ARGB8888 format

A Table of CL_DA Register Settings And Output Data Alignment

CL_DA	YUYV Conversion	ARGB Conversion	CL_DA	YUYV Conversion	ARGB Conversion
H'0	Y0UY1V	ARGB	H'10	UVY0Y1	RBAG
H'1	Y0UVY1	ARBG	H'11	UVY1Y0	RBGA
H'2	Y0Y1UV	AGRB	H'12	VY1Y0U	BGAR
H'3	Y0Y1VU	AGBR	H'13	VY1UY0	BGRA
H'4	Y0VY1U	ABGR	H'14	VY0Y1U	BAGR
H'5	Y0VUY1	ABRG	H'15	VY0UY1	BARG
H'6	Y1UY0V	GRAB	H'16	VUY0Y1	BRAG
H'7	Y1UVY0	GRBA	H'17	VUY1Y0	BRGA
H'8	Y1Y0UV	GARB	H'18	Y0UY1V	ARGB
H'9	Y1Y0VU	GABR	H'19	Y0UY1V	ARGB
H'A	Y1VY0U	GBAR	H'1A	Y0UY1V	ARGB
H'B	Y1VUY0	GBRA	H'1B	Y0UY1V	ARGB
H'C	UY1Y0V	RGAB	H'1C	Y0UY1V	ARGB
H'D	UY1VY0	RGBA	H'1D	Y0UY1V	ARGB
H'E	UY0Y1V	RAGB	H'1E	Y0UY1V	ARGB
H'F	UY0VY1	RABG	H'1F	Y0UY1V	ARGB

20.3.14 CL Status Register (CLSR)

CLSR is in the CL register block and indicates the internal states of the CL.

Bit:	31	30	29	28	27	26	25	24	23	22	21	20	19	18	17	16
	—	—	—	—	—	—	—	—	—	—	—	—	—	—	—	—
Initial value:	0	0	0	0	0	0	0	0	0	0	0	0	0	0	0	0
R/W:	—	—	—	—	—	—	—	—	—	—	—	—	—	—	—	—
Bit:	15	14	13	12	11	10	9	8	7	6	5	4	3	2	1	0
	—	—	—	—	—	—	—	—	—	—	—	—	CLSR_EXE	CL_CFF	CL_CFS	
Initial value:	0	0	0	0	0	0	0	0	0	0	0	0	0	0	0	0
R/W:	—	—	—	—	—	—	—	—	—	—	—	—	R	R	R	R

Bit	Bit Name	Initial Value	R/W	Description
31 to 4	—	All 0	—	Reserved These bits are always read as 0. The write value should always be 0.
3	CLSR_EXE	0	R	CL execution state display 0: Stopped 1: Executing
2	CL_CFF	0	R	CL_CF (command FIFO) status display Indicates the state of command buffer reception. 0: Command receivable 1: Command buffer full
1, 0	CL_CFS	0	R	Command pointer status display 00: CL_CF command parameter 1 setting wait state 01: CL_CF command parameter 2 setting wait state 10: CL_CF command parameter 3 setting wait state 11: CL_CF command parameter 4 setting wait state

20.3.15 CL Frame Width Setting Register (CLWR)

CLWR is in the CL register block and sets the input image width in pixel units.

Bit:	31	30	29	28	27	26	25	24	23	22	21	20	19	18	17	16
	—	—	—	—	—	—	—	—	—	—	—	—	—	—	—	—
Initial value:	0	0	0	0	0	0	0	0	0	0	0	0	0	0	0	0
R/W:	—	—	—	—	—	—	—	—	—	—	—	—	—	—	—	—
Bit:	15	14	13	12	11	10	9	8	7	6	5	4	3	2	1	0
	—	—	—	—	CL_W											
Initial value:	0	0	0	0	0	0	0	0	0	0	0	0	0	0	0	0
R/W:	—	—	—	—	R/W	R/W	R/W	R/W	R/W	R/W	R/W	R/W	R/W	R/W	R/W	R/W

Bit	Bit Name	Initial Value	R/W	Description
31 to 12	—	All 0	—	Reserved These bits are always read as 0. The write value should always be 0.
11 to 0	CL_W	All 0	R/W	Frame width setting Should be set in pixel units. Value set should be $2 \times n$ (n: an integer greater than 0)

- Notes:
1. CL processing is prohibited when the setting is 0.
 2. Addition is performed taking that 1 pixel = 1 byte.
 3. CLWR (bytes) + CLIYPR (bytes) should be $32 \text{ bytes} \times n$ (n: an integer greater than 0)
 4. CLWR (bytes)/2 + CLUVPR (bytes) should be $32 \text{ bytes} \times n$ (n: an integer greater than 0)

20.3.16 CL Frame Height Setting Register (CLHR)

CLHR is in the CL register block and sets the input image height in line units.

Bit:	31	30	29	28	27	26	25	24	23	22	21	20	19	18	17	16
	—	—	—	—	—	—	—	—	—	—	—	—	—	—	—	—
Initial value:	0	0	0	0	0	0	0	0	0	0	0	0	0	0	0	0
R/W:	—	—	—	—	—	—	—	—	—	—	—	—	—	—	—	—
Bit:	15	14	13	12	11	10	9	8	7	6	5	4	3	2	1	0
	—	—	—	—	CL_H											
Initial value:	0	0	0	0	0	0	0	0	0	0	0	0	0	0	0	0
R/W:	—	—	—	—	R/W	R/W	R/W	R/W	R/W	R/W	R/W	R/W	R/W	R/W	R/W	R/W

Bit	Bit Name	Initial Value	R/W	Description
31 to 12	—	All 0	—	Reserved These bits are always read as 0. The write value should always be 0.
11 to 0	CL_H	All 0	R/W	Frame height setting Should be set in line units.

Note: CL processing is prohibited when the setting is 0.

20.3.17 CL Input Y Padding Size Setting Register (CLYPR)

CLYPR is in the CL register block and sets the input Y padding size in byte units.

Bit:	31	30	29	28	27	26	25	24	23	22	21	20	19	18	17	16
	—	—	—	—	—	—	—	—	—	—	—	—	—	—	—	—
Initial value:	0	0	0	0	0	0	0	0	0	0	0	0	0	0	0	0
R/W:	—	—	—	—	—	—	—	—	—	—	—	—	—	—	—	—
Bit:	15	14	13	12	11	10	9	8	7	6	5	4	3	2	1	0
	—	—	—	—	CL_IYP											
Initial value:	0	0	0	0	0	0	0	0	0	0	0	0	0	0	0	0
R/W:	—	—	—	—	R/W	R/W	R/W	R/W	R/W	R/W	R/W	R/W	R/W	R/W	R/W	R/W

Bit	Bit Name	Initial Value	R/W	Description
31 to 12	—	All 0	—	Reserved These bits are always read as 0. The write value should always be 0.
11 to 0	CL_IYP	All 0	R/W	Input Y padding size setting Should be set in byte units. Value set should be $2 \times n$ (n: an integer greater than 0)

- Notes: 1. Addition is performed taking that 1 pixel = 1 byte.
2. CLWR (bytes) + CLYPR (bytes) should be $32 \text{ bytes} \times n$ (n: an integer greater than 0)

20.3.18 CL Input UV Padding Size Setting Register (CLIUVPR)

CLIUVPR is in the CL register block and sets the input UV padding size in byte units.

Bit:	31	30	29	28	27	26	25	24	23	22	21	20	19	18	17	16
	—	—	—	—	—	—	—	—	—	—	—	—	—	—	—	—
Initial value:	0	0	0	0	0	0	0	0	0	0	0	0	0	0	0	0
R/W:	—	—	—	—	—	—	—	—	—	—	—	—	—	—	—	—
Bit:	15	14	13	12	11	10	9	8	7	6	5	4	3	2	1	0
	—	—	—	—	CL_IUVP											
Initial value:	0	0	0	0	0	0	0	0	0	0	0	0	0	0	0	0
R/W:	—	—	—	—	R/W	R/W	R/W	R/W	R/W	R/W	R/W	R/W	R/W	R/W	R/W	R/W

Bit	Bit Name	Initial Value	R/W	Description
31 to 12	—	All 0	—	Reserved These bits are always read as 0. The write value should always be 0.
11 to 0	CL_IUVP	All 0	R/W	Input UV padding size setting Should be set in byte units.

- Notes:
1. Addition is performed taking that 1 pixel = 1 byte.
 2. $CLWR \text{ (bytes)} / 2 + CLUVPR \text{ (bytes)}$ should be $32 \text{ bytes} \times n$ (n: an integer greater than 0)

20.3.19 CL Output Padding Size Setting Register (CLOPR)

CLOPR is in the CL register block and sets the output padding size in byte units.

Bit:	31	30	29	28	27	26	25	24	23	22	21	20	19	18	17	16
	—	—	—	—	—	—	—	—	—	—	—	—	—	—	—	—
Initial value:	0	0	0	0	0	0	0	0	0	0	0	0	0	0	0	0
R/W:	—	—	—	—	—	—	—	—	—	—	—	—	—	—	—	—
Bit:	15	14	13	12	11	10	9	8	7	6	5	4	3	2	1	0
	—	—	—	—	CL_OP											
Initial value:	0	0	0	0	0	0	0	0	0	0	0	0	0	0	0	0
R/W:	—	—	—	—	R/W	R/W	R/W	R/W	R/W	R/W	R/W	R/W	R/W	R/W	R/W	R/W

Bit	Bit Name	Initial Value	R/W	Description
31 to 12	—	All 0	—	Reserved These bits are always read as 0. The write value should always be 0.
11 to 0	CL_OP	All 0	R/W	Output padding size setting Should be set in byte units. Value set should be $2 \times n$ (n: an integer greater than 0)

20.3.20 CL Palette Pointer Register (CLPLPR)

CLPLPR is in the CL register block and sets the color conversion table pointer. The RAM 0 address used for a work area should be specified. This register setting is used only in the ARBG conversion mode, not used in the YUYV conversion mode.

Bit:	31	30	29	28	27	26	25	24	23	22	21	20	19	18	17	16
	CL_PLPT															
Initial value:	0	0	0	0	0	0	0	0	0	0	0	0	0	0	0	0
R/W:	R/W	R/W	R/W	R/W	R/W	R/W	R/W	R/W	R/W	R/W	R/W	R/W	R/W	R/W	R/W	R/W
Bit:	15	14	13	12	11	10	9	8	7	6	5	4	3	2	1	0
	CL_PLPT															
Initial value:	0	0	0	0	0	0	0	0	0	0	0	0	0	0	0	0
R/W:	R/W	R/W	R/W	R/W	R/W	R/W	R/W	R/W	R/W	R/W	R/W	R/W	R/W	R/W	R/W	R/W

Bit	Bit Name	Initial Value	R/W	Description
31 to 0	CL_PLPT	All 0	R/W	Palette Pointer Setting An address in the range from H'FE41_0000 to H'FE41_1FFF (P4 area address) should be specified.

Note: A 4-byte boundary address must be specified.

20.3.21 MC Command FIFO (MCCF)

MCCF is in the MC register block and receives commands. This register uses the FIFO method and recognizes a maximum of eight command parameters according to the writing order. This register does not retain the written values. This register is always read as 0.

Bit:	31	30	29	28	27	26	25	24	23	22	21	20	19	18	17	16
	MC_CF															
Initial value:	0	0	0	0	0	0	0	0	0	0	0	0	0	0	0	0
R/W:	W	W	W	W	W	W	W	W	W	W	W	W	W	W	W	W
Bit:	15	14	13	12	11	10	9	8	7	6	5	4	3	2	1	0
	MC_CF															
Initial value:	0	0	0	0	0	0	0	0	0	0	0	0	0	0	0	0
R/W:	W	W	W	W	W	W	W	W	W	W	W	W	W	W	W	W

Bit	Bit Name	Initial Value	R/W	Description
31 to 0	MC_CF	0	W	Command FIFO Register

Setting Method: When accessing this register, the MC_EN bit in GACER should be set to 1. Access is possible only when the MC_EN bit is set to 1. If the MC_EN bit is 0, access is invalid (writing is invalid; the read value is indefinite).

The following shows the setting contents assumed according to the writing order:

Writing Order	Intra Macroblock Processing	Forward Macroblock Processing	Reverse Macroblock Processing	Bidirectional Macroblock Processing	End Command
Command parameter 1	Bits 31 to 26: cbp Bits 2 to 0: H'0	Bits 31 to 26: cbp Bits 2 to 0: H'1	Bits 31 to 26: cbp Bits 2 to 0: H'2	Bits 31 to 26: cbp Bits 2 to 0: H'3	Bits 2 to 0: H'4
Command parameter 2	mbcol	mbcol	mbcol	mbcol	—
Command parameter 3	mbrow	mbrow	mbrow	mbrow	—
Command parameter 4	Buffer RAM pointer	Forward_Recon_down	Back_Recon_down	Forward_Recon_down	—
Command parameter 5	—	Forward_Recon_right	Back_Recon_right	Forward_Recon_right	—
Command parameter 6	—	Buffer RAM pointer	Buffer RAM pointer	Back_Recon_down	—
Command parameter 7	—	—	—	Back_Recon_right	—
Command parameter 8	—	—	—	Buffer RAM pointer	—

} MC command

- MC Operating Mode:

- Bits 2 to 0 are H'0: Intra macroblock processing
- Bits 2 to 0 are H'1: Forward macroblock processing
- Bits 2 to 0 are H'2: Reverse macroblock processing
- Bits 2 to 0 are H'3: Bidirectional macroblock processing
- Bits 2 to 0 are H'4: End command (When bit 2 is 1, it is regarded as the end command.)

- Coded Block Pattern (cbp):

- Bit 31: Indicates whether or not the Y0 IDCT data exists (0: IDCT data is invalid, 1: IDCT data is valid)
- Bit 30: Indicates whether or not the Y1 IDCT data exists (0: IDCT data is invalid, 1: IDCT data is valid)
- Bit 29: Indicates whether or not the Y2 IDCT data exists (0: IDCT data is invalid, 1: IDCT data is valid)
- Bit 28: Indicates whether or not the Y3 IDCT data exists (0: IDCT data is invalid, 1: IDCT data is valid)
- Bit 27: Indicates whether or not the U IDCT data exists (0: IDCT data is invalid, 1: IDCT data is valid)

— Bit 26: Indicates whether or not the V IDCT data exists (0: IDCT data is invalid, 1: IDCT data is valid)

- mbccl: Row position in macroblock units (number of macroblocks)
- mbrow: Column position in macroblock units (number of macroblocks)
- Forward_Recon_down: Past-frame vertical-direction vector (half-pixel units)
- Forward_Recon_right: Past-frame horizontal-direction vector (half-pixel units)
- Back_Recon_down: Future-frame vertical-direction vector (half-pixel units)
- Back_Recon_right: Future-frame horizontal-direction vector (half-pixel units)
- Buffer RAM pointer: Pointer to the buffer RAM 1 in use (RAM 1 address storing IDCT data)

Notes on MC Command FIFO Register (MCCF) Settings:

1. Buffer RAM pointers should point to addresses on 4-byte boundaries. If not, the lower address is regarded as 0.
2. When setting values in this register in succession, the MC module is able to receive the next command while the MC_CFF bit in MCSR is 0. To perform processing by changing the command alone, just set the new command in this register.
3. Four commands can be received. If the next command is written when the command FIFO is full, the commands stored in the command FIFO are retained and the next command is ignored.
4. Specify the RAM 1 pointer even when the cbp is set to 6'h00. The specified address should be H'FE42_0000.
5. In intra macroblock processing mode, the output data values are not guaranteed if the cbp is set to a value other than 6'h3F.

20.3.22 MC Status Register (MCSR)

MCSR is in the MC register block and indicates the internal states of the MC.

Bit:	31	30	29	28	27	26	25	24	23	22	21	20	19	18	17	16
	—	—	—	—	—	—	—	—	—	—	—	—	—	—	—	—
Initial value:	0	0	0	0	0	0	0	0	0	0	0	0	0	0	0	0
R/W:	—	—	—	—	—	—	—	—	—	—	—	—	—	—	—	—
Bit:	15	14	13	12	11	10	9	8	7	6	5	4	3	2	1	0
	—	—	—	—	—	MC_CFA			—	—	—	—	MC_CFF	MC_CFS		
Initial value:	0	0	0	0	0	0	0	0	0	0	0	0	0	0	0	0
R/W:	—	—	—	—	—	R	R	R	—	—	—	—	R	R	R	R

Bit	Bit Name	Initial Value	R/W	Description
31 to 11	—	All 0	—	Reserved These bits are always read as 0. The write value should always be 0.
10 to 8	MC_CFA	All 0	R	Indicates the number of commands accumulated in MCCF (command FIFO); maximum number accumulated is 4 Number of accumulated commands: 000: 0 001: 1 010: 2 011: 3 100: 4
7 to 4	—	All 0	—	Reserved These bits are always read as 0. The write value should always be 0.
3	MC_CFF	0	R	MCCF status display Indicates the state of command buffer reception. 0: Command receivable 1: Command buffer full

Bit	Bit Name	Initial Value	R/W	Description
2 to 0	MC_CFS	All 0	R	Command pointer status display 000: MCCF command parameter 1 setting wait state 001: MCCF command parameter 2 setting wait state 010: MCCF command parameter 3 setting wait state 011: MCCF command parameter 4 setting wait state 100: MCCF command parameter 5 setting wait state 101: MCCF command parameter 6 setting wait state 110: MCCF command parameter 7 setting wait state 111: MCCF command parameter 8 setting wait state

20.3.23 MC Frame Width Setting Register (MCWR)

MCWR is in the MC register block and sets the input frame width in pixel units.

Bit:	31	30	29	28	27	26	25	24	23	22	21	20	19	18	17	16
	—	—	—	—	—	—	—	—	—	—	—	—	—	—	—	—
Initial value:	0	0	0	0	0	0	0	0	0	0	0	0	0	0	0	0
R/W:	—	—	—	—	—	—	—	—	—	—	—	—	—	—	—	—
Bit:	15	14	13	12	11	10	9	8	7	6	5	4	3	2	1	0
	—	—	—	—	MC_W											
Initial value:	0	0	0	0	0	0	0	0	0	0	0	0	0	0	0	0
R/W:	—	—	—	—	R/W	R/W	R/W	R/W	R/W	R/W	R/W	R/W	R/W	R/W	R/W	R/W

Bit	Bit Name	Initial Value	R/W	Description
31 to 12	—	All 0	—	Reserved These bits are always read as 0. The write value should always be 0.
11 to 0	MC_W	All 0	R/W	Frame width setting Should be set by the number of pixels.

- Notes:
1. MC processing is prohibited when the setting is 0.
 2. Addition is performed taking that 1 pixel = 1 byte.
 3. MCWR (bytes) + MCYPR (bytes) should be 16 bytes x n (n: an integer greater than 0)
 4. MCWR (bytes)/2 + MCUVPR (bytes) should be 8 bytes x n (n: an integer greater than 0)
 5. MCWR (bytes)/2: Shifts the MCWR setting one bit to the right. (When the setting is odd, the bit 0 setting is discarded.)

20.3.24 MC Frame Height Setting Register (MCHR)

MCHR is in the MC register block and sets the input image height in line units.

Bit:	31	30	29	28	27	26	25	24	23	22	21	20	19	18	17	16
	—	—	—	—	—	—	—	—	—	—	—	—	—	—	—	—
Initial value:	0	0	0	0	0	0	0	0	0	0	0	0	0	0	0	0
R/W:	—	—	—	—	—	—	—	—	—	—	—	—	—	—	—	—
Bit:	15	14	13	12	MC_H											
	—	—	—	—												
Initial value:	0	0	0	0	0	0	0	0	0	0	0	0	0	0	0	0
R/W:	—	—	—	—	R/W	R/W	R/W	R/W	R/W	R/W	R/W	R/W	R/W	R/W	R/W	R/W

Bit	Bit Name	Initial Value	R/W	Description
31 to 12	—	All 0	—	Reserved These bits are always read as 0. The write value should always be 0.
11 to 0	MC_H	All 0	R/W	Frame height setting Should be set by the number of lines.

Note: MC processing is prohibited when the setting is 0.

20.3.25 MC Y Padding Size Setting Register (MCYPR)

MCYPR is in the MC register block and sets the input Y padding size in byte units.

Bit:	31	30	29	28	27	26	25	24	23	22	21	20	19	18	17	16
	—	—	—	—	—	—	—	—	—	—	—	—	—	—	—	—
Initial value:	0	0	0	0	0	0	0	0	0	0	0	0	0	0	0	0
R/W:	—	—	—	—	—	—	—	—	—	—	—	—	—	—	—	—
Bit:	15	14	13	12	11	10	9	8	7	6	5	4	3	2	1	0
	—	—	—	—	MC_YP											
Initial value:	0	0	0	0	0	0	0	0	0	0	0	0	0	0	0	0
R/W:	—	—	—	—	R/W	R/W	R/W	R/W	R/W	R/W	R/W	R/W	R/W	R/W	R/W	R/W

Bit	Bit Name	Initial Value	R/W	Description
31 to 12	—	All 0	—	Reserved These bits are always read as 0. The write value should always be 0.
11 to 0	MC_YP	All 0	R/W	Input Y padding size setting Should be set by the number of bytes.

- Notes: 1. Addition is performed taking that 1 pixel = 1 byte.
2. MCWR (bytes) + MCYPR (bytes) should be 16 bytes x n (n: an integer greater than 0)

20.3.26 MC UV Padding Size Setting Register (MCUVPR)

MCUVPR is in the MC register block and sets the input UV padding size in byte units.

Bit:	31	30	29	28	27	26	25	24	23	22	21	20	19	18	17	16
	—	—	—	—	—	—	—	—	—	—	—	—	—	—	—	—
Initial value:	0	0	0	0	0	0	0	0	0	0	0	0	0	0	0	0
R/W:	—	—	—	—	—	—	—	—	—	—	—	—	—	—	—	—
Bit:	15	14	13	12	11	10	9	8	7	6	5	4	3	2	1	0
	—	—	—	—	MC_UVP											
Initial value:	0	0	0	0	0	0	0	0	0	0	0	0	0	0	0	0
R/W:	—	—	—	—	R/W	R/W	R/W	R/W	R/W	R/W	R/W	R/W	R/W	R/W	R/W	R/W

Bit	Bit Name	Initial Value	R/W	Description
31 to 12	—	All 0	—	Reserved These bits are always read as 0. The write value should always be 0.
11 to 0	MC_UVP	All 0	R/W	Input UV padding size setting Should be set by the number of bytes.

- Notes:
1. Addition is performed taking that 1 pixel = 1 byte.
 2. $MCWR \text{ (bytes)} / 2 + MCVPR \text{ (bytes)}$ should be 8 bytes x n (n: an integer greater than 0)
 3. $MCWR \text{ (bytes)} / 2$: Shifts the MCWR setting one bit to the right. (When the setting is odd, the bit 0 setting is discarded.)

20.3.27 MC Output Frame Y Pointer Register (MCOYPR)

MCOYPR is in the MC register block and specifies the Y pointer address for an output frame.

Bit:	31	30	29	28	27	26	25	24	23	22	21	20	19	18	17	16
	MC_OYPT															
Initial value:	0	0	0	0	0	0	0	0	0	0	0	0	0	0	0	0
R/W:	R/W	R/W	R/W	R/W	R/W	R/W	R/W	R/W	R/W	R/W	R/W	R/W	R/W	R/W	R/W	R/W
Bit:	15	14	13	12	11	10	9	8	7	6	5	4	3	2	1	0
	MC_OYPT															
Initial value:	0	0	0	0	0	0	0	0	0	0	0	0	0	0	0	0
R/W:	R/W	R/W	R/W	R/W	R/W	R/W	R/W	R/W	R/W	R/W	R/W	R/W	R/W	R/W	R/W	R/W

Bit	Bit Name	Initial Value	R/W	Description
31 to 0	MC_OYPT	All 0	R/W	Output Frame Y Pointer The address should be set. 0 should be written to bits 3 to 0.

Note: A 16-byte boundary address must be specified.

20.3.28 MC Output Frame U Pointer Register (MCOUPR)

MCOUPR is in the MC register block and specifies the U pointer address for an output frame.

Bit:	31	30	29	28	27	26	25	24	23	22	21	20	19	18	17	16
	MC_OUPT															
Initial value:	0	0	0	0	0	0	0	0	0	0	0	0	0	0	0	0
R/W:	R/W	R/W	R/W	R/W	R/W	R/W	R/W	R/W	R/W	R/W	R/W	R/W	R/W	R/W	R/W	R/W
Bit:	15	14	13	12	11	10	9	8	7	6	5	4	3	2	1	0
	MC_OUPT															
Initial value:	0	0	0	0	0	0	0	0	0	0	0	0	0	0	0	0
R/W:	R/W	R/W	R/W	R/W	R/W	R/W	R/W	R/W	R/W	R/W	R/W	R/W	R/W	R/W	R/W	R/W

Bit	Bit Name	Initial Value	R/W	Description
31 to 0	MC_OUPT	All 0	R/W	Output Frame U Pointer The address should be set. 0 should be written to bits 2 to 0.

Note: An 8-byte boundary address must be specified.

20.3.29 MC Output Frame V Pointer Register (MCOVPR)

MCOVPR is in the MC register block and specifies the V pointer address for an output frame.

Bit:	31	30	29	28	27	26	25	24	23	22	21	20	19	18	17	16
	MC_OVPT															
Initial value:	0	0	0	0	0	0	0	0	0	0	0	0	0	0	0	0
R/W:	R/W	R/W	R/W	R/W	R/W	R/W	R/W	R/W	R/W	R/W	R/W	R/W	R/W	R/W	R/W	R/W
Bit:	15	14	13	12	11	10	9	8	7	6	5	4	3	2	1	0
	MC_OVPT															
Initial value:	0	0	0	0	0	0	0	0	0	0	0	0	0	0	0	0
R/W:	R/W	R/W	R/W	R/W	R/W	R/W	R/W	R/W	R/W	R/W	R/W	R/W	R/W	R/W	R/W	R/W

Bit	Bit Name	Initial Value	R/W	Description
31 to 0	MC_OVPT	All 0	R/W	Output Frame V Pointer The address should be set. 0 should be written to bits 2 to 0.

Note: An 8-byte boundary address must be specified.

20.3.30 MC Past Frame Y Pointer Register (MCPYPR)

MCPYPR is in the MC register block and specifies the Y pointer address for a past frame.

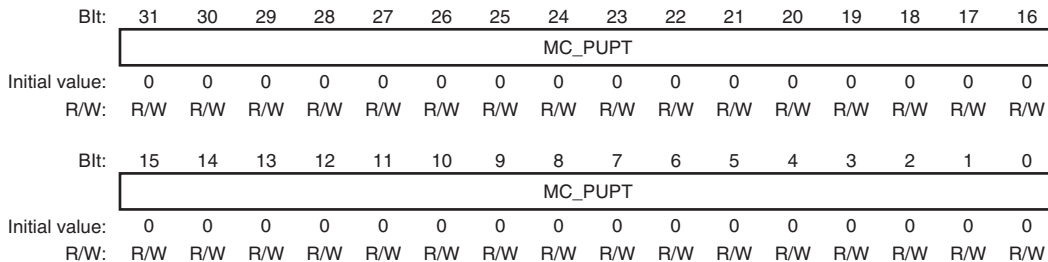
Bit:	31	30	29	28	27	26	25	24	23	22	21	20	19	18	17	16
	MC_PYPT															
Initial value:	0	0	0	0	0	0	0	0	0	0	0	0	0	0	0	0
R/W:	R/W	R/W	R/W	R/W	R/W	R/W	R/W	R/W	R/W	R/W	R/W	R/W	R/W	R/W	R/W	R/W
Bit:	15	14	13	12	11	10	9	8	7	6	5	4	3	2	1	0
	MC_PYPT															
Initial value:	0	0	0	0	0	0	0	0	0	0	0	0	0	0	0	0
R/W:	R/W	R/W	R/W	R/W	R/W	R/W	R/W	R/W	R/W	R/W	R/W	R/W	R/W	R/W	R/W	R/W

Bit	Bit Name	Initial Value	R/W	Description
31 to 0	MC_PYPT	All 0	R/W	Past Frame Y Pointer The address should be set. 0 should be written to bits 3 to 0.

Note: A 16-byte boundary address must be specified.

20.3.31 MC Past Frame U Pointer Register (MCPUPR)

MCPUPR is in the MC register block and specifies the U pointer address for a past frame.

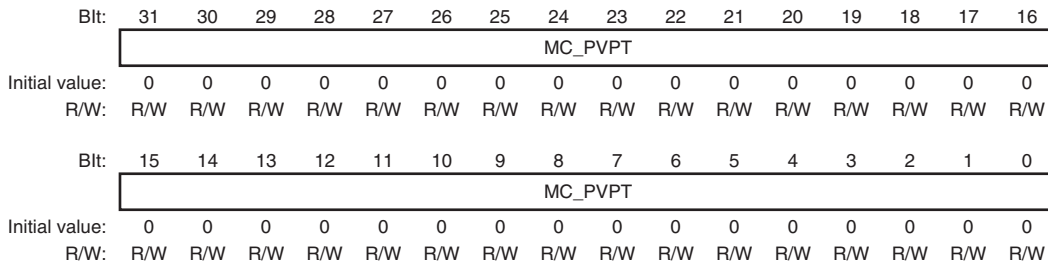


Bit	Bit Name	Initial Value	R/W	Description
31 to 0	MC_PUPT	All 0	R/W	Past Frame U Pointer The address should be set. 0 should be written to bits 2 to 0.

Note: An 8-byte boundary address must be specified.

20.3.32 MC Past Frame V Pointer Register (MCPVPR)

MCPVPR is in the MC register block and specifies the V pointer address for a past frame.



Bit	Bit Name	Initial Value	R/W	Description
31 to 0	MC_PVPT	All 0	R/W	Past Frame V Pointer The address should be set. 0 should be written to bits 2 to 0.

Note: An 8-byte boundary address must be specified.

20.3.33 MC Future Frame Y Pointer Register (MCFYPR)

MCFYPR is in the MC register block and specifies the Y pointer address for a future frame.

Bit:	31	30	29	28	27	26	25	24	23	22	21	20	19	18	17	16
	MC_FYPT															
Initial value:	0	0	0	0	0	0	0	0	0	0	0	0	0	0	0	0
R/W:	R/W	R/W	R/W	R/W	R/W	R/W	R/W	R/W	R/W	R/W	R/W	R/W	R/W	R/W	R/W	R/W
Bit:	15	14	13	12	11	10	9	8	7	6	5	4	3	2	1	0
	MC_FYPT															
Initial value:	0	0	0	0	0	0	0	0	0	0	0	0	0	0	0	0
R/W:	R/W	R/W	R/W	R/W	R/W	R/W	R/W	R/W	R/W	R/W	R/W	R/W	R/W	R/W	R/W	R/W

Bit	Bit Name	Initial Value	R/W	Description
31 to 0	MC_FYPT	All 0	R/W	Future Frame Y Pointer The address should be set. 0 should be written to bits 3 to 0.

Note: A 16-byte boundary address must be specified.

20.3.34 MC Future Frame U Pointer Register (MCFUPR)

MCFUPR is in the MC register block and specifies an address to set the U pointer for a future frame.

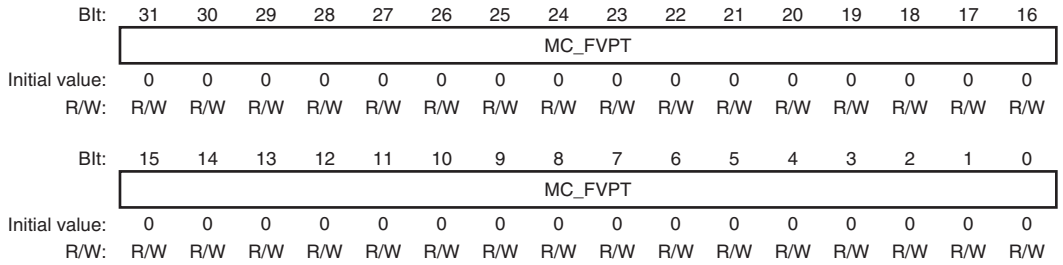
Bit:	31	30	29	28	27	26	25	24	23	22	21	20	19	18	17	16
	MC_FUPT															
Initial value:	0	0	0	0	0	0	0	0	0	0	0	0	0	0	0	0
R/W:	R/W	R/W	R/W	R/W	R/W	R/W	R/W	R/W	R/W	R/W	R/W	R/W	R/W	R/W	R/W	R/W
Bit:	15	14	13	12	11	10	9	8	7	6	5	4	3	2	1	0
	MC_FUPT															
Initial value:	0	0	0	0	0	0	0	0	0	0	0	0	0	0	0	0
R/W:	R/W	R/W	R/W	R/W	R/W	R/W	R/W	R/W	R/W	R/W	R/W	R/W	R/W	R/W	R/W	R/W

Bit	Bit Name	Initial Value	R/W	Description
31 to 0	MC_FUPT	All 0	R/W	Future Frame U Pointer The address should be set. 0 should be written to bits 2 to 0.

Note: An 8-byte boundary address must be specified.

20.3.35 MC Future Frame V Pointer Register (MCFVPR)

MCFVPR is in the MC register block and specifies the V pointer address for a future frame.



Bit	Bit Name	Initial Value	R/W	Description
31 to 0	MC_FVPT	All 0	R/W	Future Frame V Pointer The address should be set. 0 should be written to bits 2 to 0.

Note: An 8-byte boundary address must be specified.

20.4 GDTA Operation

20.4.1 Explanation of CL Operation

By writing 1 to the CL_EN bit in GACER, registers in the CL register unit can be accessed. After setting, as initial values, the input frame width/height, input padding size, output padding size, operating mode (and, in ARGB conversion mode, the palette pointer setting), data written in succession to CLCF is received, and upon receiving four command parameters (input Y/U/V pointers, output pointer), processing is begun. In processing, data for one input frame as defined by the settings (width vs. height) is read, and by setting the CL_MD bit in CLCR, YUYV conversion or ARGB conversion is performed within the module. Processing is performed in single frame units, and one frame's worth of converted data is transmitted to the output destination. The CL can store two commands (in register CLCF) and does not accept the command for the next frame when two commands are already stored (command FIFO full). A judgment as to whether processing has ended can be made by using either an interrupt or the CL_END bit in GACISR.

(1) Overview of YUYV Conversion Functions

The following shows an outline of the YUYV conversion specification.

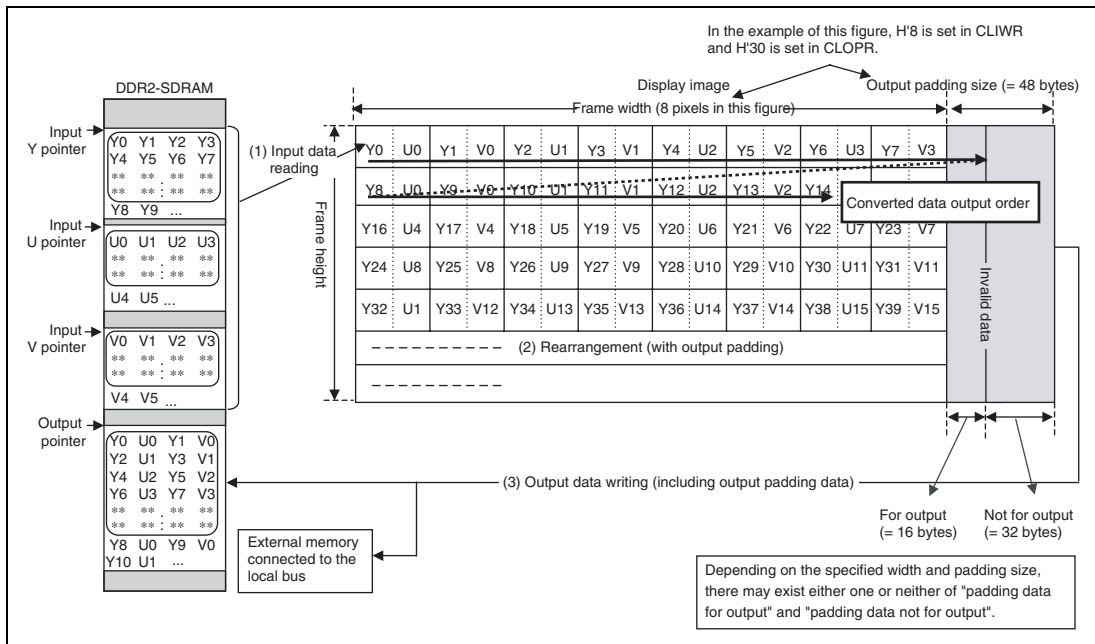


Figure 20.3 YUYV Conversion Functions

Table 20.7 shows YUYV4:2:2 conversion sequence shown in figure 20.3.

No. in the table corresponds to the number used in figure 20.3.

Table 20.7 YUYV4:2:2 Conversion Sequence

No.	Operation	Description
(1)	Input data reading	<p>YUV-separated input data stored in DDR2-SDRAM is read into the GDTA. The input data includes padding data with the specified input Y (UV) padding size, but the GDTA excludes this padding data when reading the data. However, if the input frame width is not on a 32-byte boundary, padding data of the amount for 32-byte boundary adjustment is read into the GDTA. Transfer of data from the DDR2-SDRAM to the GDTA is in 32 byte units, so that the input data size should be an integral multiple of 32 bytes for one line (frame width + input padding). If there are deviations in the specified padding sizes for Y and U/V, operation is not guaranteed.</p>
(2)	Rearrangement	<p>YUV data is rearranged according to the format indicated in the display image of figure 20.3.</p> <p>(When converting from YUYV 4:2:0 to YUYV 4:2:2, because the data quantity for UV is 1/2 that for Y, the UV data in even lines is used for the UV data in odd lines. For example, the UV data in line 0 is also used in line 1.)</p> <p>Converted data is output in the converted data output order of the display image diagram of figure 20.3, regardless of the output destination.</p> <p>Before the converted data is output, padding data of the size specified by the CLOPR register is added.</p>
(3)	Output data writing	<p>Because output data is transferred in 32 byte units, one line of output data, including output padding, should be made an integral multiple of 32 bytes. (Similarly when the transfer destination is an external device, one line should be an integral multiple of 32 bytes.)</p> <p>Padding data other than that used for adjustment for the 32-byte boundary is not output.</p> <p>The output data write address for the next line output is calculated by adding, to the current write address, the size of the padding data that is specified as the output padding size for each line.</p>

(2) Overview of ARGB Conversion Functions

The following shows an outline of the ARGB conversion specification.

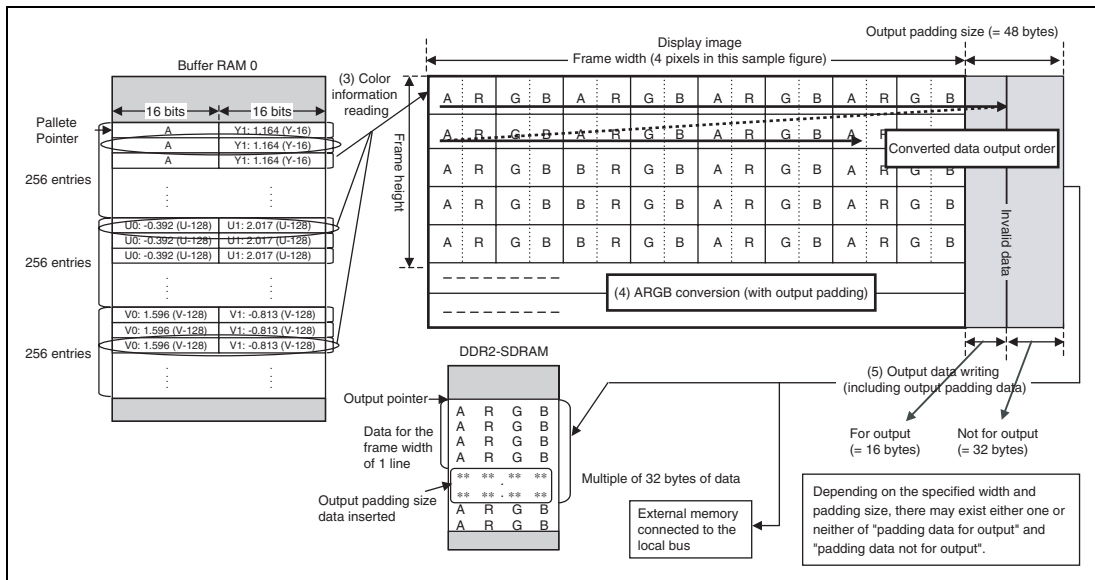


Figure 20.4 ARGB Conversion Functions

Table 20.8 shows ARGB8888 conversion sequence shown in figure 20.4.

No. in the table corresponds to the number used in figure 20.4. (1) and (2) correspond to the numbers in figure 20.3.

Table 20.8 ARGB8888 Conversion Sequence

No.	Operation	Description
(1)	Input data reading	YUV-separated input data stored in DDR2-SDRAM is read into the GDTA. The input data includes padding data with the specified input Y (UV) padding size, but the GDTA excludes this padding data when reading the data. However, if the input frame width is not on a 32-byte boundary, padding data of the amount for 32-byte boundary adjustment is read into the GDTA. Transfer of data from the DDR2-SDRAM to the GDTA is in 32 byte units, so that the input data size should be an integral multiple of 32 bytes for one line (frame width + input padding). If there are deviations in the specified padding sizes for Y and U/V, operation is not guaranteed.
(2)	Rearrangement	YUV data is rearranged according to the format indicated in the display image of figure 20.3. (When converting from YUV 4:2:0 to YUV 4:2:2, because the data quantity for UV is 1/2 that for Y, the UV data in even lines is used for the UV data in odd lines. For example, the UV data in line 0 is also used in line 1.)
(3)	Color information reading	Data converted in (2) is used as the address of the color conversion table stored in buffer RAM 0 (CLPLPR setting address + converted data), and color information is read from buffer RAM 0. (Converted data: Data converted in (2) is shifted two bits to the left and added to be the RAM 0 address.) (Color information is read from the buffer RAM 0 address calculated by adding the Y value read from DDR2-SDRAM to the buffer RAM 0 palette pointer value (the address set in CLPLPR). (Same for U and V))

No. Operation	Description
(4) ARGB conversion	<p>ARGB data is generated from color information read from buffer RAM 0 using the following formula, and the converted data is output in the format shown in the display image of figure 20.4. ARGB conversion is performed according to the following conversion logic.</p> <p>A = The result of computation of $\text{clip_0_255}((A+16)\gg 5)$ for unsigned 16-bit data (11 integer bits, 5 decimal bits) read from RAM 0 is output.</p> <p>$R = \text{clip_0_255}((Y1 + V0 + 16) \gg 5);$</p> <p>$G = \text{clip_0_255}((Y1 + U0 + V1 + 16) \gg 5);$</p> <p>$B = \text{clip_0_255}((Y1 + U1 + 16) \gg 5);$</p> <p>When $Y1 = 0$, the conversion result is $R, G, B = 0$.</p> <p>clip_0_255: 8-bit saturation calculation ($0 \leq x \leq 255$) (the sign is determined by the uppermost bit (bit 15))</p> <p>The converted data is output according to the conversion data output order in the display image of figure 20.4, regardless of the output destination.</p> <p>Converted data is output by the size 4 x the frame width specified by CLWR, rounded up to an integral multiple of 32 bytes.</p>
(5) Output data writing	<p>Because output data is transferred in 32 byte units, one line of output data, including output padding, should be made an integral multiple of 32 bytes.</p> <p>Padding data other than that used for adjustment for the 32-byte boundary is not output.</p> <p>The output data write address for the next line output is calculated by adding, to the current write address, the size of the padding data that is specified as the output padding size for each line.</p>

(3) CL Processing Procedure

Various initial settings are made by the CPU, and processing is started. The processing procedure is the same for YUYV conversion mode and for ARGB conversion mode, except that in ARGB conversion mode the data of the color conversion table must be prepared in buffer RAM 0. The procedure is described below.

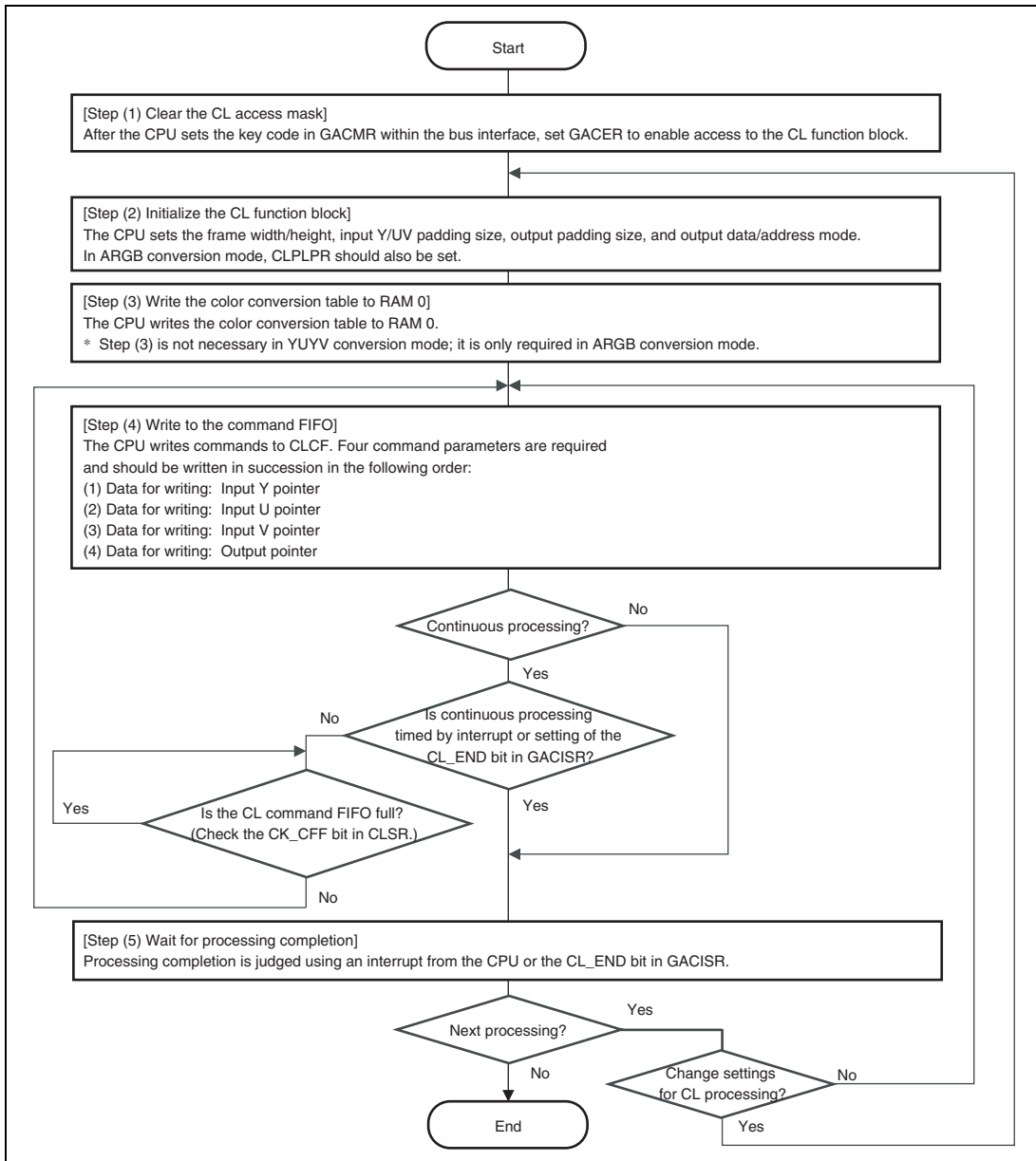


Figure 20.5 CL Processing Procedure

20.4.2 Explanation of MC Operation

By writing 1 to the MC_EN bit in GACER, registers in the MC register unit can be accessed. After setting, as initial values, the input frame width/height, input YUV padding size, output frame YUV pointer, past frame YUV pointer and future frame YUV pointer, data written in succession to MCCF is received, and upon receiving a maximum of eight command parameters (estimating mode, vector, buffer RAM 1 address), processing is begun. In processing, data is read in macroblock units (Y: 16 pixels × 16 lines, U/V: 8 pixels × 8 lines), and estimated image generation is performed within the module. The generated image by the amount of a macroblock is output to the output destination.

The MC can store four commands (in register MCCF) and does not accept the command for the next frame when four commands are already stored (command FIFO full). A judgment as to whether processing has ended can be made by using either an interrupt or the MC_END bit in GACISR.

Figure 20.6 illustrates the processing of one Y macroblock in "forward macroblock processing". (After three rounds of processing for Y, U, and V have been done, a processing-end interrupt is generated by writing an end command.) On the other hand, in "reverse macroblock processing" the address for reading data from DDR2, shown in figure 20.6, is changed to the future frame pointer, and other processing is the same. Hence in "bidirectional macroblock processing", $(\text{half-pixel-corrected past data} + \text{half-pixel-corrected future data} + 1)/2$ is taken to be the correction processing result, and calculation is performed with the IDCT data.

Finally, in "intra macroblock processing" signed IDCT data (the sign of which is discriminated using the uppermost bit (bit 15)) is converted into unsigned 8-bit data and written to the output position.

(1) Estimated Image Generation Function

The following shows an outline of the estimated image generation function.

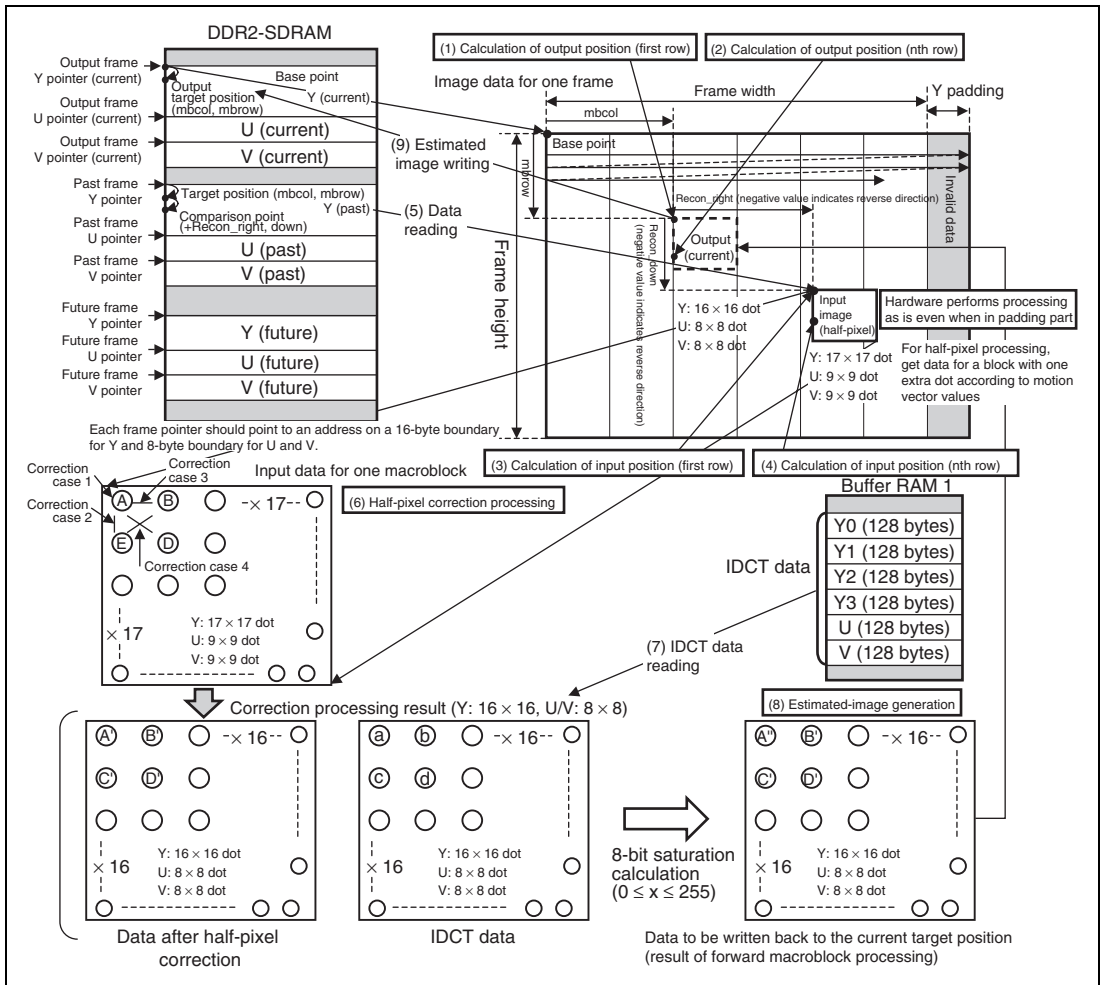


Figure 20.6 Outline of Estimated Image Generation Function

Table 20.9 shows estimated image generation sequence shown in figure 20.6.

No. in the table corresponds to the number used in figure 20.6.

Table 20.9 Estimated Image Generation Sequence

No.	Operation	Description
(1)	Calculation of output position (first row)	<p>The following formulae are used to compute output position (first row) (DDR2-SDRAM output address).</p> <p>First row output address formulae</p> <ul style="list-style-type: none"> • Y output target address <p>Calculation formula: Output frame Y point value (base point) + [mbrow × 16 × (width + Y padding)] + [mbcol × 16]</p> <p>Output frame Y pointer value (base point): MCOYPR setting address</p> <p>mbrow: Calculated from MCCF setting</p> <p>mbcol: Calculated from MCCF setting</p> <p>width: Calculated from MCWR setting</p> <p>Y padding: Calculated from MCYPR setting</p> <p>Subsequently, data for 16 dots (= 16 bytes) is processed in succession</p> • U/V output target address <p>Calculation formula: Output frame U point value (base point) + [mbrow × 8 × (width/2 + U padding)] + [mbcol × 8]</p> <p>Output frame U pointer value (base point): MCOUPR setting address</p> <p>mbrow: Calculated from MCCF setting</p> <p>mbcol: Calculated from MCCF setting</p> <p>width: Calculated from MCWR setting</p> <p>U padding: Calculated from MCVPR setting</p> <p>Subsequently, data for 8 dots (= 8 bytes) is processed in succession</p> <p>V pointer address is calculated using a formula similar to that for the U pointer address.</p>

No.	Operation	Description
(2)	Calculation of output position (nth row and below)	<p>The following formulae are used to compute output positions (nth row and below) (DDR2-SDRAM output address).</p> <p>Output address formulae for nth row and below</p> <ul style="list-style-type: none"> • Y output target address <ul style="list-style-type: none"> Calculation formula: Output frame Y point value (base point) + [(mbrow × 16 + n - 1) × (width + Y padding)] + [mbcol × 16] Output frame Y pointer value (base point): MCOYPR setting address mbrow: Calculated from MCCF setting mbcol: Calculated from MCCF setting width: Calculated from MCWR setting Y padding: Calculated from MCYPR setting <p>Subsequently, data for 16 dots (= 16 bytes) is processed in succession</p> <ul style="list-style-type: none"> • U/V output target address <ul style="list-style-type: none"> Calculation formula: Output frame U point value (base point) + [(mbrow × 8 + n - 1) × (width/2 + U padding)] + [mbcol × 8] Output frame U pointer value (base point): MCOUPR setting address mbrow: Calculated from MCCF setting mbcol: Calculated from MCCF setting width: Calculated from MCWR setting U padding: Calculated from MCUVPR setting <p>Subsequently, data for 8 dots (= 8 bytes) is processed in succession</p> <p>V pointer address is calculated using a formula similar to that for the U pointer address.</p>

No.	Operation	Description
(3)	Calculation of input position (first row)	<p>The following formulae are used to compute input position (first row) (DDR2-SDRAM input address).</p> <p>First row input address formulae</p> <ul style="list-style-type: none"> Y input comparison address Calculation formula: Past frame Y point value (base point) + [(mbrow × 16 + (Recon_down>>1)) × (width + Y padding)] + [mbcol × 16 + (Recon_right>>1)] Past frame Y pointer value (base point): MCPYPR setting address mbrow: Calculated from MCCF setting mbcol: Calculated from MCCF setting Recon_down: Calculated from MCCF setting Recon_right: Calculated from MCCF setting width: Calculated from MCWR setting Y padding: Calculated from MCYPR setting <p>Depending on the motion vector value, 16-dot data (16 bytes) or 17-dot data (17 bytes) is processed in succession.</p> <p>Future frame Y pointer address is calculated using a formula similar to that for the past frame.</p> <p>* Calculation result for Recon_down>>1 is shown below:</p>

Recon_down	-6	-5	-4	-3	-2	-1	0	1	2	3	4	5	6
Recon_down>>1	-3	-3	-2	-2	-1	-1	0	0	1	1	2	2	3

Calculation result for Recon_right>>1 is the same.

No. Operation Description

- (3) Calculation of input position (first row)
- U/V input comparison address
- Calculation formula: Past frame U point value (base point) + $[(mbrow \times 8 + (Recon_down/2 \gg 1)) \times (width/2 + U\ padding)] + [mbcol \times 8 + (Recon_right/2 \gg 1)]$
- Past frame U pointer value (base point): MCPUPR setting address
- mbrow: Calculated from MCCF setting
- mbcol: Calculated from MCCF setting
- Recon_down: Calculated from MCCF setting
- Recon_right: Calculated from MCCF setting
- width: Calculated from MCWR setting
- U padding: Calculated from MCUVPR setting
- Depending on the motion vector value, 8-dot data (8 bytes) or 9-dot data (9 bytes) is processed in succession.
- Future frame U pointer address is calculated using a formula similar to that for the past frame.
- V pointer address is calculated using a formula similar to that for the U pointer address.

* Calculation result for $Recon_down/2 \gg 1$ is shown below:

Recon_down	-6	-5	-4	-3	-2	-1	0	1	2	3	4	5	6
Recon_down/2>>1	-2	-1	-1	-1	-1	0	0	0	0	0	1	1	1

Calculation result for $Recon_right/2 \gg 1$ is the same.

No.	Operation	Description
(4)	Calculation of input position (nth row and below)	<p>The following formulae are used to compute input positions (nth row and below) (DDR2-SDRAM input address).</p> <p>Input address formulae for nth row and below</p> <ul style="list-style-type: none"> Y input comparison address <p>Calculation formula: Past frame Y point value (base point) + $[(mbrow \times 16 + (Recon_down \gg 1) + n - 1) \times (width + Y \text{ padding})] + [mbcol \times 16 + (Recon_right \gg 1)]$</p> <p>Past frame Y pointer value (base point): MCPYPR setting address</p> <p>mbrow: Calculated from MCCF setting</p> <p>mbcol: Calculated from MCCF setting</p> <p>Recon_down: Calculated from MCCF setting</p> <p>Recon_right: Calculated from MCCF setting</p> <p>width: Calculated from MCWR setting</p> <p>Y padding: Calculated from MCYPR setting</p> <p>Depending on the motion vector value, 16-dot data (16 bytes) or 17-dot data (17 bytes) is processed in succession.</p> <p>Future frame Y pointer address is calculated using a formula similar to that for the past frame.</p> U/V input comparison address <p>Calculation formula: Past frame U point value (base point) + $[(mbrow \times 8 + (Recon_down/2 \gg 1) + n - 1) \times (width/2 + U \text{ padding})] + [mbcol \times 8 + ((Recon_right/2) \gg 1)]$</p> <p>Past frame U pointer value (base point): MCPUPR setting address</p> <p>mbrow: Calculated from MCCF setting</p> <p>mbcol: Calculated from MCCF setting</p> <p>Recon_down: Calculated from MCCF setting</p> <p>Recon_right: Calculated from MCCF setting</p> <p>width: Calculated from MCWR setting</p> <p>U padding: Calculated from MCVUPR setting</p> <p>Depending on the motion vector value, 8-dot data (8 bytes) or 9-dot data (9 bytes) is processed in succession.</p> <p>Future frame U pointer address is calculated using a formula similar to that for the past frame.</p> <p>V pointer address is calculated using a formula similar to that for the U pointer address.</p>
(5)	Data reading	Input data stored in DDR2-SDRAM is read into the GDTA at the address computed in (3) and (4).

No.	Operation	Description
(6)	Half-pixel correction processing	<p>Half-pixel correction processing is performed for the data read in (5). (For the Y pointer: 16 to the right and 16 downward in 4 pixel units, for a total of 256 processed)</p> <p>* The Recon_down value is used to perform half-pixel correction even/odd decisions. Decision results are as follows. (The Recon_right value is similarly used to perform half-pixel correction even/odd decisions.)</p>

Recon_down	-6	-5	-4	-3	-2	-1	0	1	2	3	4	5	6
Y even/odd	even	odd	even	odd	even	odd	even	odd	even	odd	even	odd	even
U/V even/odd	odd	even	even	odd	odd	even	even	even	odd	odd	even	even	odd

Formulae for each correction case at "Input data for one macroblock" in figure 20.6 are as follows.

Correction case 1: right = even, down = even

-> $(A + A + 1)/2 = A$ (digits below the decimal point are discarded (no change))

Correction case 2: right = even, down = odd

-> $(A + C + 1)/2 = A'$ (digits below the decimal point are discarded)

Correction case 3: right = odd, down = even

-> $(A + B + 1)/2 = A'$ (digits below the decimal point are discarded)

Correction case 4: right = odd, down = odd

-> $(A + D + B + C + 2)/4 = A'$ (digits below the decimal point are discarded)

In bidirectional macroblock processing, the result of computation of the following formula using past data after half-pixel correction and future data after half-pixel correction is taken to be the half-pixel correction result, and computation processing with IDCT data is performed.

$(\text{past data after half-pixel correction} + \text{future data after half-pixel correction} + 1)/2 = \text{half-pixel correction result}$

There are cases in which, due to the settings, input macroblock data is not within the padding area and the data exceeds the screen height (invalid image data), but the hardware performs processing without modification.

No.	Operation	Description									
(7)	IDCT data reading	<p>IDCT data stored in buffer RAM 1 is read.</p> <p>(Only blocks specified by a CBP setting of 1 are read from buffer RAM 1.)</p> <p>The IDCT data should be stored in buffer RAM 1 as 16-bit signed data. (The sign is discriminated using the uppermost bit (bit 15).)</p> <p>Regardless of the CBP value, the IDCT data should be stored in successive addresses in the order Y0 (128 bytes), Y1 (128 bytes), Y2 (128 bytes), Y3 (128 bytes), U (128 bytes), V (128 bytes).</p> <p>When there is a CBP=0 block, the address space should not be packed, but data should be stored in successive addresses in the Y0, Y1, Y2, Y3, U, V data format.</p> <p>The CBP value indicates whether a sign is required compared with the comparison image for the six blocks (four luminance blocks and two chrominance blocks). The above Y0, Y1, Y2, Y3, U, V are CBP values of block positions in the following format.</p> <p>CBP Blocks with YUV4:2:0</p> <table style="margin-left: auto; margin-right: auto;"> <tr> <td rowspan="2" style="padding-right: 10px;">Luminance Y</td> <td style="border: 1px solid black; padding: 5px;">Y0</td> <td style="border: 1px solid black; padding: 5px;">Y1</td> <td rowspan="2" style="padding: 0 20px;"></td> <td rowspan="2" style="padding-right: 10px;">Chrominance U/V</td> <td style="border: 1px solid black; padding: 5px;">U</td> </tr> <tr> <td style="border: 1px solid black; padding: 5px;">Y2</td> <td style="border: 1px solid black; padding: 5px;">Y3</td> <td style="border: 1px solid black; padding: 5px;">V</td> </tr> </table> <p>(Data for a CBP=0 block: data invalid)</p> <p>9-bit saturation computation is performed for IDCT data read from RAM 1 ($-256 \leq x \leq 255$).</p> <p>(The sign is discriminated using the uppermost bit (bit 15).)</p> <p>IDCT data reading is performed in parallel with the operation of (5) and (6).</p>	Luminance Y	Y0	Y1		Chrominance U/V	U	Y2	Y3	V
Luminance Y	Y0	Y1			Chrominance U/V			U			
	Y2	Y3	V								
(8)	Estimated image data generation	<p>Estimated image data is generated using the following formula from the half-pixel processing data generated in (6) and the IDCT data (9-bit data after saturation computation) read in (7).</p> <p>Formula: (data of (6) + data of (7)) -> (saturation computation) ($0 \leq x \leq 255$)</p>									
(9)	Estimated image data writing	<p>Estimated image data is written to DDR2-SDRAM at the address computed in (1) and (2).</p>									

(2) MC Processing Procedure

The CPU performs required initialization and starts the processing. IDCT data must be prepared in the buffer RAM 1. The procedure is shown below.

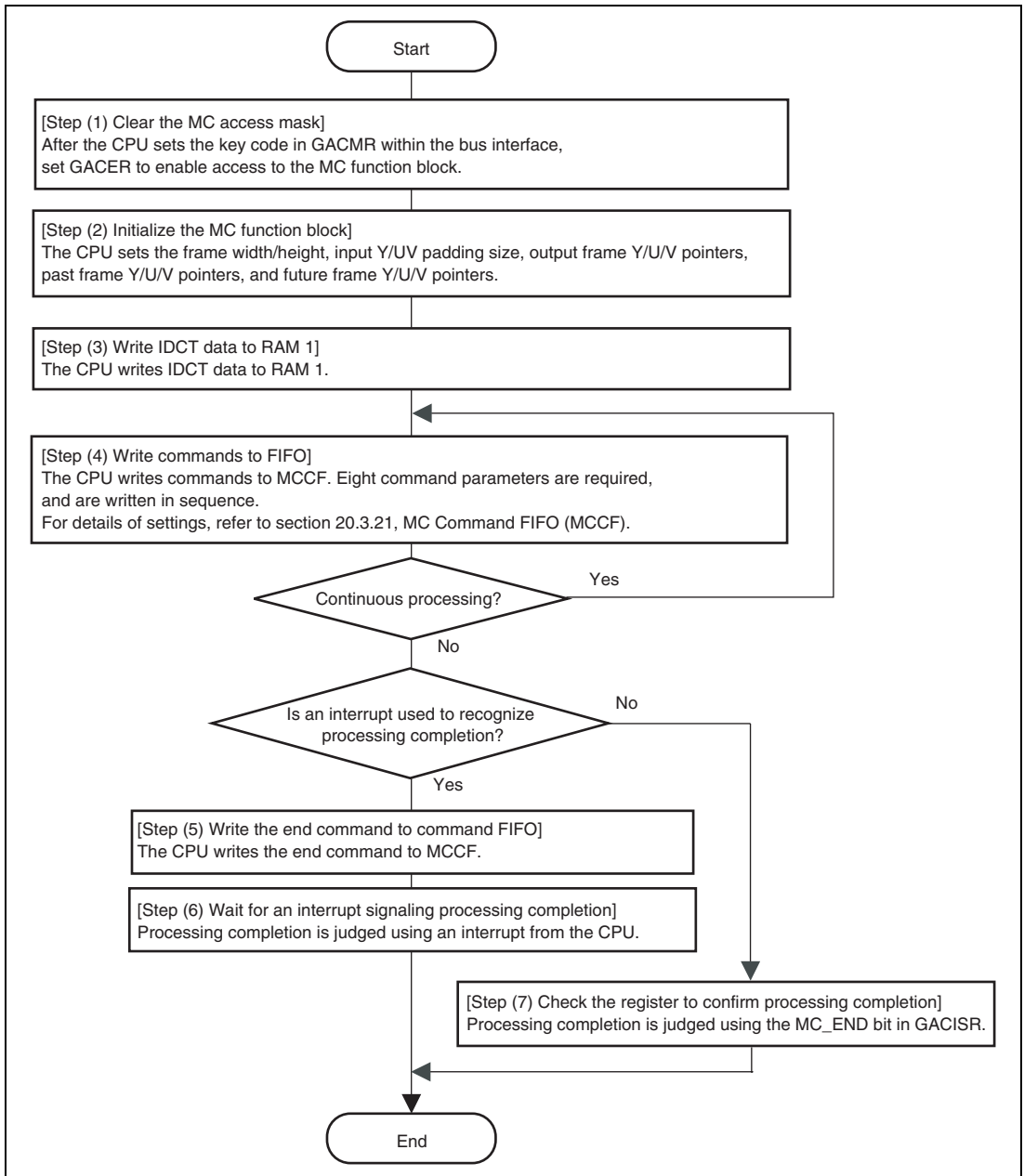


Figure 20.7 MC Processing Procedure

20.5 Interrupt Processing

In the GDTA, there are four types of interrupt sources. There are three interrupt flags for CL processing end, MC processing end, and CL/MC errors, used to identify interrupt sources. The interrupt enable bit allows generation of interrupt requests.

CL errors and MC errors use a common GAERI interrupt.

Table 20.10 GDTA Interrupt Request

Interrupt Source	Interrupt Flag	Enable Bit	Description
CL_END interrupt	CL_END	CL_ENEN	CL processing ended
MC_END interrupt	MC_END	MC_ENEN	MC processing ended
CL_ERR interrupt	CL_ERR or MC_ERR	CL_EREN	CL error occurred
MC_ERR interrupt		MC_EREN	MC error occurred

20.6 Data Alignment

The GDTA performs data alignment conversion of input data, output data, and RAM 0/1 data using an endian signal (pin MD8) or using GDTA internal registers.

Table 20.11 shows the correspondence between data alignment conversion patterns and the settings of DRCL_CTL, DWCL_CTL, DRMC_CTL, DWMC_CTL, DCP_CTL, and DID_CTL.

Table 20.11 GDTA Data Alignment Conversion

DTAM	DTSA	DTUA	Little (MD8)	Data Alignment Conversion Pattern	Remarks
0	H'00	H'00	0	CP3 (2)	
0	H'00	H'00	1	CP3 (1)	
1	H'00	H'00	*	CP3 (2)	
1	H'01	H'01	*	CP1 (1)	
1	H'01	H'10	*	CP2 (1)	
1	H'01	H'11	*	CP3 (1)	
1	H'10	H'01	*	CP1 (2)	
1	H'10	H'10	*	CP2 (2)	
1	H'11	H'01	*	CP1 (3)	

Note: * For the data alignment pattern numbers, refer to figure 20.8.

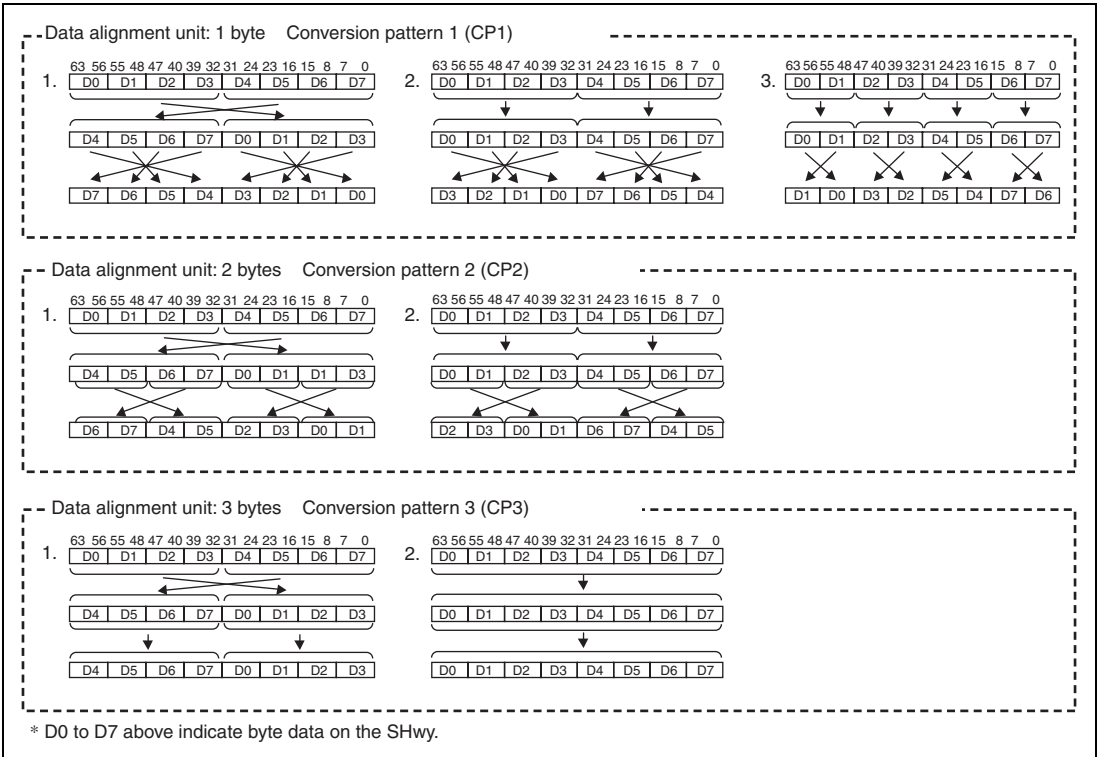


Figure 20.8 Data Alignment Conversion Pattern

20.7 Usage Notes

When using the GDTA, note the following:

20.7.1 Regarding Module Stoppage

During GDTA operation, the CPG register settings must not be done to stop a module (other modules as well as the GDTA). If a module is stopped during GDTA operation, the GDTA processing is stopped and processing contents set in CL/MC command FIFO are cleared.

When stopping the module, settings should be changed to stop the module only after confirming that the CLSR.EXE bit (bit 3) in CLSR is 0 and the MC_CFA bits (bits 10 to 8) in MCSR are 000.

In order to resume the processing, the procedure described in section 20.4.1 (3), CL Processing Procedure or section 20.4.2 (2), MC Processing Procedure should be used after releasing the module stop. (After a module is stopped, the processing that was in progress and processing contents set in the CL/MC command FIFO should be performed again.)

20.7.2 Regarding Deep Sleep Modes

During GDTA operation, deep sleep mode must not be entered. If a transition is made to deep sleep mode during GDTA operation, the GDTA processing is stopped and processing contents set in CL/MC command FIFO are cleared.

When entering deep sleep mode, a transition should be made only after confirming that the CLSR.EXE bit (bit 3) in CLSR is 0, and also after confirming that the MC_CFA bits (bits 10 to 8) in MCSR are 000.

In order to resume the processing, the procedure described in section 20.4.1 (3), CL Processing Procedure or section 20.4.2 (2), MC Processing Procedure should be used after releasing the deep sleep mode. (After deep sleep mode is entered, the processing that was in progress and processing contents set in the CL/MC command FIFO should be performed again.)

20.7.3 Regarding Frequency Changes

During GDTA operation, the CPG register setting must not be used to change frequency. If frequency is changed during GDTA operation, the GDTA processing is stopped and processing contents set in CL/MC command FIFO are cleared.

When changing the frequency, the frequency should be changed only after confirming that the CLSR.EXE bit (bit 3) in CLSR is 0 and the MC_CFA bits (bits 10 to 8) in MCSR are 000.

When resuming the processing, the procedure described in section 20.4.1 (3), CL Processing Procedure or section 20.4.2 (2), MC Processing Procedure should be used after changing the frequency. (After a frequency is changed, the processing that was in progress and processing contents set in the CL/MC command FIFO should be performed again.)

Section 21 Serial Communication Interface with FIFO (SCIF)

This LSI is equipped with a 6-channel serial communication interface with built-in FIFO buffers (Serial Communication Interface with FIFO: SCIF). The SCIF can perform both asynchronous and clocked synchronous serial communications.

64-stage FIFO buffers are provided for transmission and reception, enabling fast, efficient, and continuous communication.

Channel 0 has modem control functions ($\overline{\text{RTS}}$ and $\overline{\text{CTS}}$).

21.1 Features

The SCIF has the following features.

- Asynchronous serial communication mode

Serial data communication is executed using an asynchronous system in which synchronization is achieved character by character. Serial data communication can be carried out with standard asynchronous communication chips such as a Universal Asynchronous Receiver/Transmitter (UART) or Asynchronous Communication Interface Adapter (ACIA). There is a choice of 8 serial data transfer formats.

 - Data length: 7 or 8 bits
 - Stop bit length: 1 or 2 bits
 - Parity: Even/odd/none
 - Receive error detection: Parity, framing, and overrun errors
 - Break detection: A break is detected when a framing error lasts for more than 1 frame length at Space 0 (low level). When a framing error occurs, a break can also be detected by reading the SCIF0_RXD to SCIF5_RXD pin levels directly from the serial port register (SCSPTR).
- Clocked synchronous serial communication mode

Serial data communication is synchronized with a clock. Serial data communication can be carried out with other LSIs that have a synchronous communication function.

There is a single serial data communication format.

Data length: 8 bits

Receive error detection: Overrun errors

- Full-duplex communication capability

The transmitter and receiver are independent units, enabling transmission and reception to be performed simultaneously.

The transmitter and receiver both have a 64-stage FIFO buffer structure, enabling continuous transmission and reception of serial data.

- LSB first for data transmission and reception

- On-chip baud rate generator allows any bit rate to be selected.

- Choice of clock source: internal clock from baud rate generator or external clock from SCIF0_SCK to SCIF5_SCK pins

- Four interrupt sources

There are four interrupt sources – transmit-FIFO-data-empty, break, receive-FIFO-data-full, and receive error – that can issue requests independently.

- The DMA controller (DMAC) can be activated to execute a data transfer by issuing a DMA transfer request in the event of a transmit-FIFO-data-empty or receive-FIFO-data-full interrupt.

- When not in use, the SCIF can be stopped by halting its clock supply to reduce power consumption.

- In asynchronous mode, modem control functions ($\overline{\text{SCIF0_RTS}}$ and $\overline{\text{SCIF0_CTS}}$) are provided.(only in channel 0)

- The amount of data in the transmit/receive FIFO registers, and the number of receive errors in the receive data in the receive FIFO register, can be ascertained.

- In asynchronous mode, a timeout error (DR) can be detected during reception.

Figure 21.1 shows a block diagram of the SCIF. Figures 21.2 to 21.6 show block diagrams of the I/O ports in the SCIF. There are six channels in this LSI. In figures 21.2 to 21.6, the channel number is omitted.

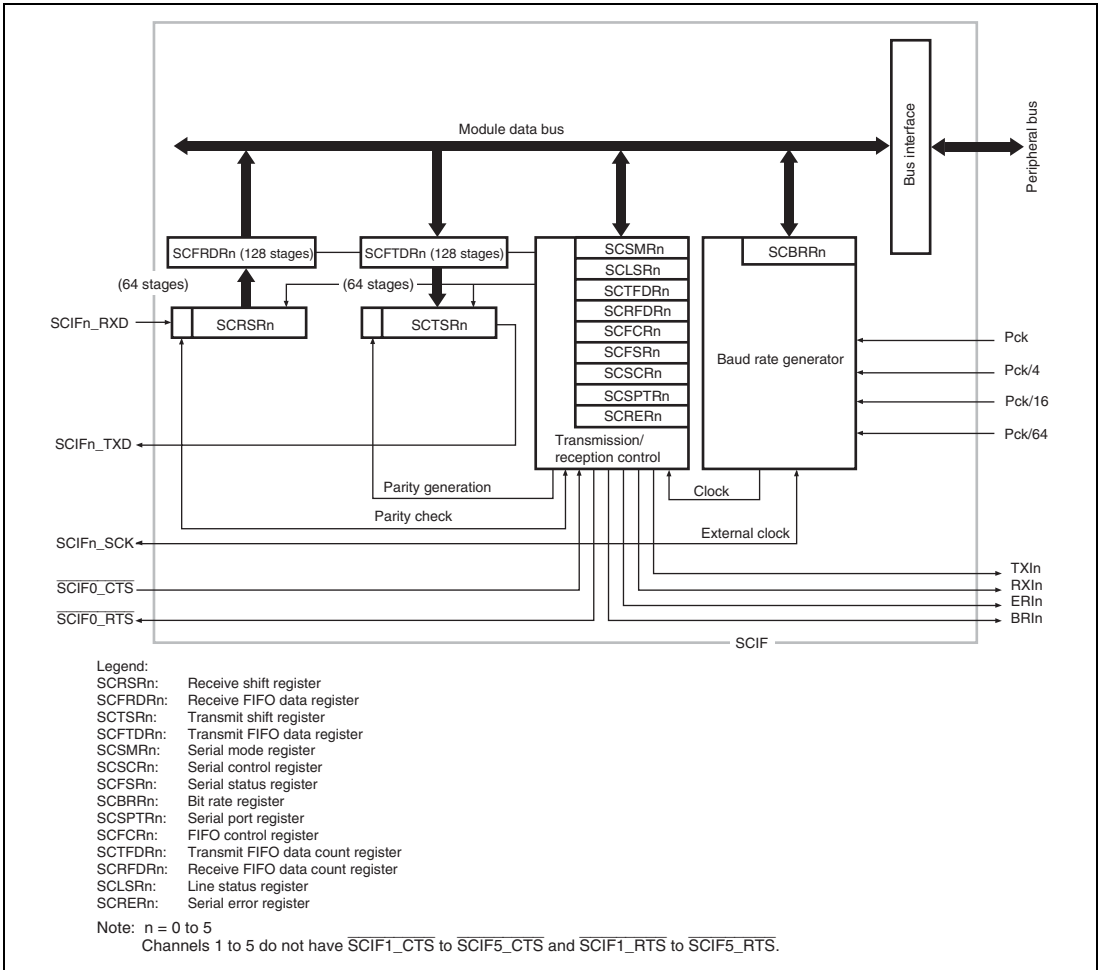


Figure 21.1 Block Diagram of SCIF

Figures 21.2 to 21.6 show block diagrams of the I/O ports in SCIF.

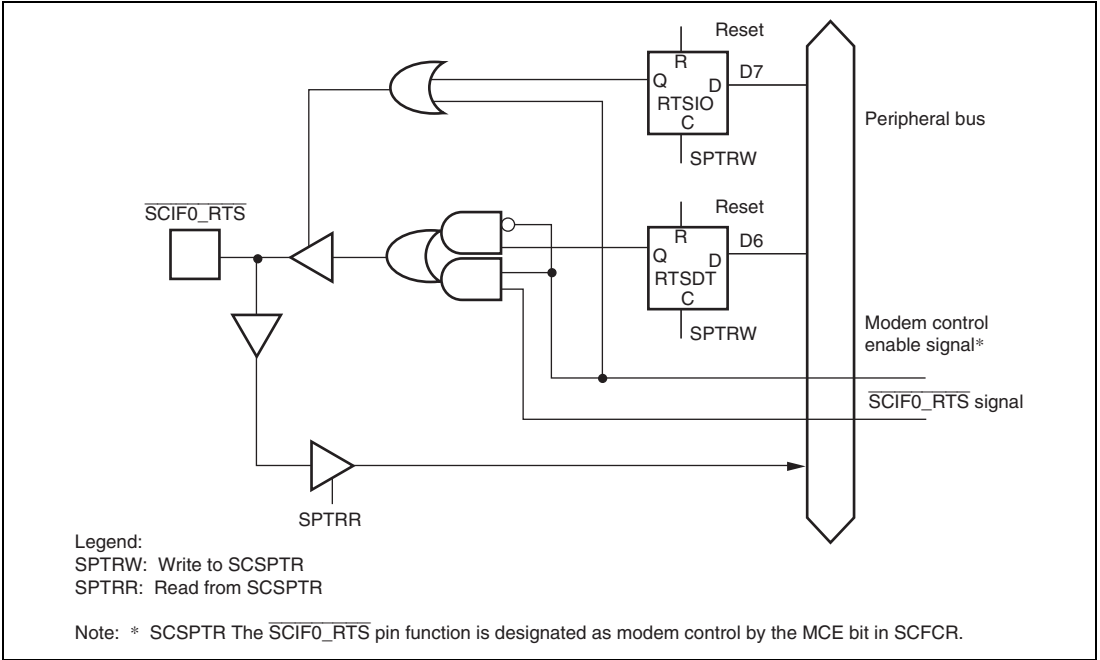


Figure 21.2 SCIF0_RTS Pin

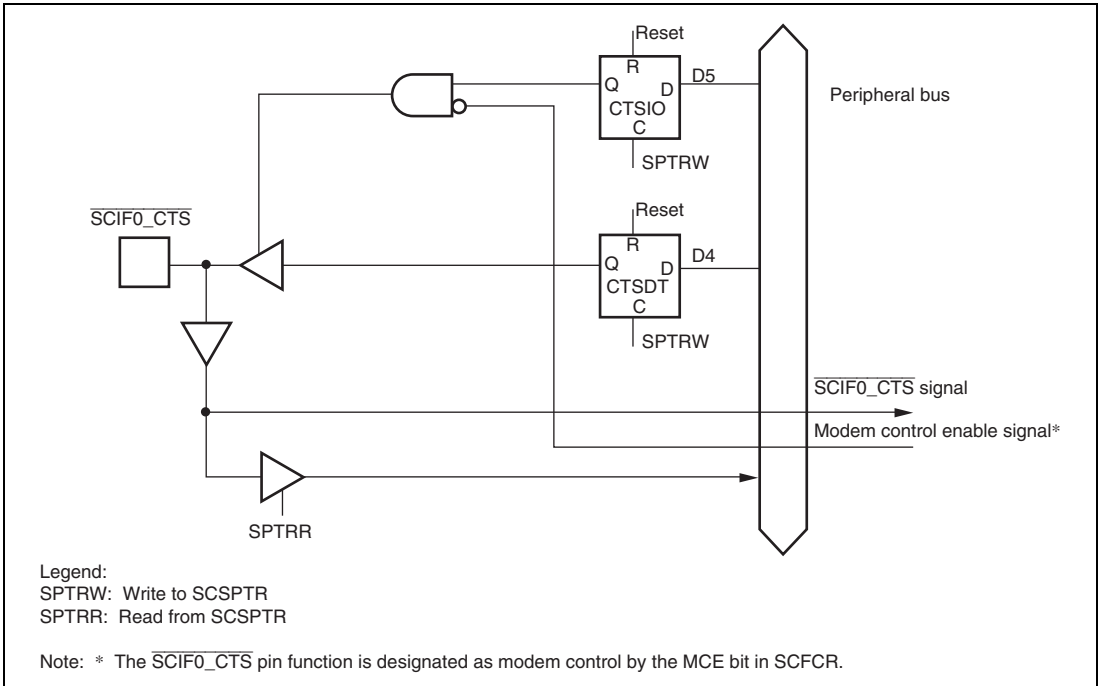


Figure 21.3 SCIF0_CTS Pin

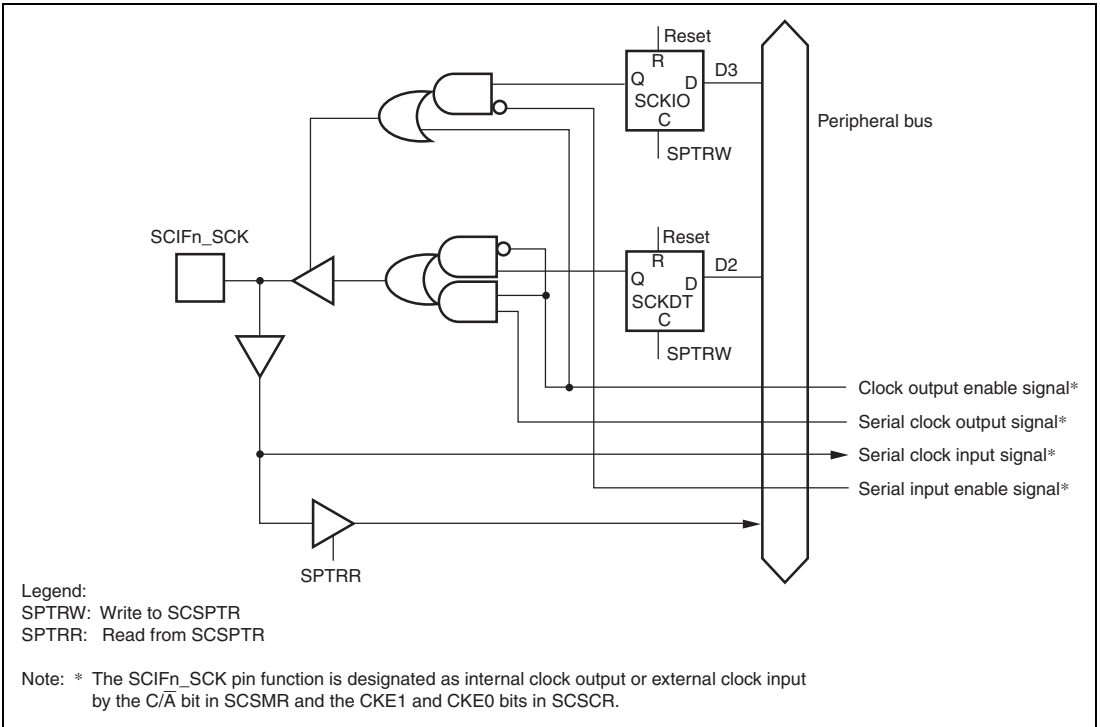


Figure 21.4 SCIFn_SCK Pin (n = 0 to 5)

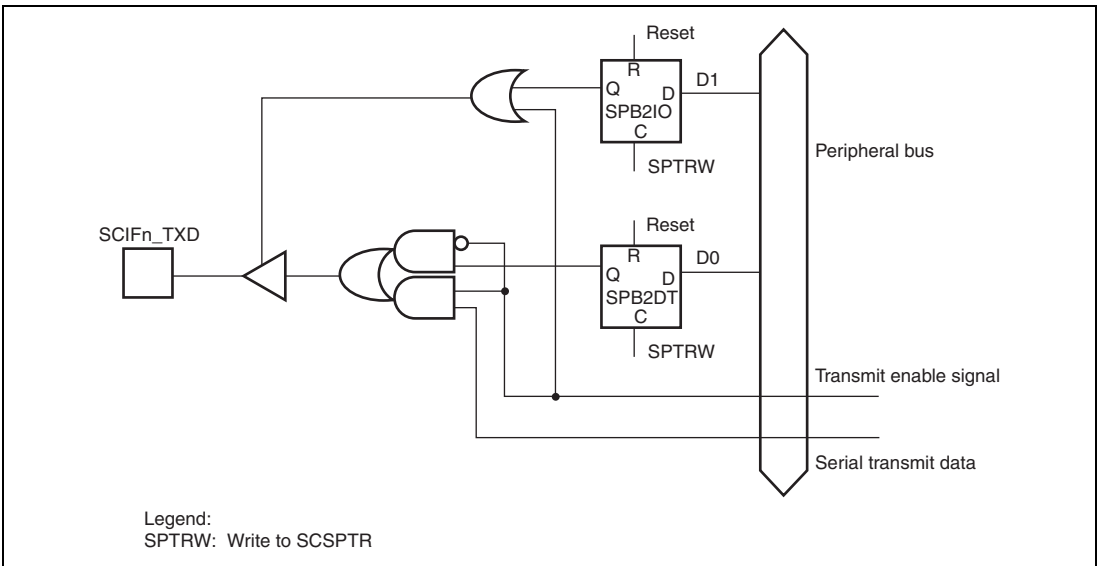


Figure 21.5 SCIFn_TXD Pin (n = 0 to 5)

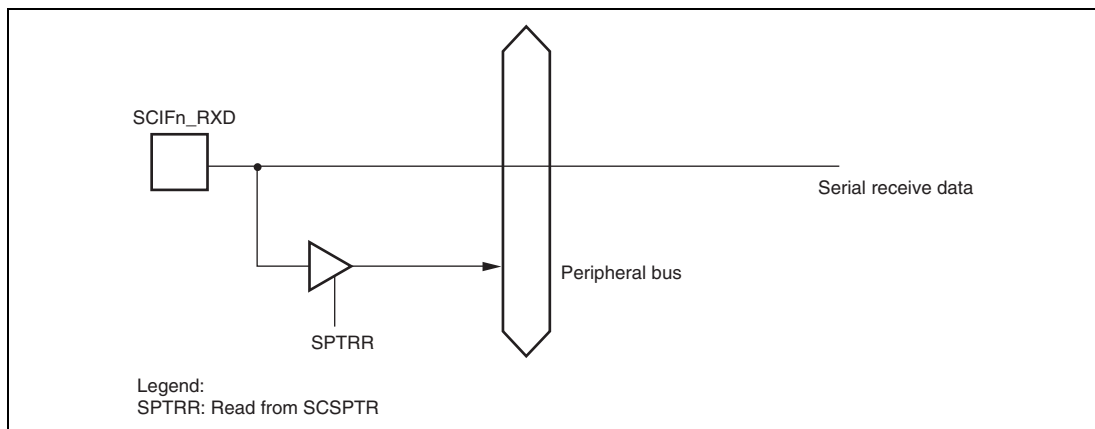


Figure 21.6 SCIFn_RXD Pin (n = 0 to 5)

21.2 Input/Output Pins

Table 21.1 shows the SCIF pin configuration. Since the pin functions are the same in each channel, the channel number is omitted in the description below. The modem control pins are available only in channel 0.

Table 21.1 Pin Configuration

Pin Name	Abbreviation	I/O	Function
Serial clock pin	SCIF0_SCK to SCIF5_SCK	I/O	Clock input/output
Receive data pin	SCIF0_RXD to SCIF5_RXD	Input	Receive data input
Transmit data pin	SCIF0_TXD to SCIF5_TXD	Output	Transmit data output
Modem control pin	$\overline{\text{SCIF0_CTS}}$	I/O	Transmission enabled
Modem control pin	$\overline{\text{SCIF0_RTS}}$	I/O	Transmission request

Note: These pins function as serial pins by performing SCIF operation settings with the $\overline{\text{C/A}}$ bit in SCSMR, the TE, RE, CKE1, and CKE0 bits in SCSCR, and the MCE bit in SCFCR. Break state transmission and detection can be set by SCSPTR of the SCIF.

21.3 Register Descriptions

The SCIF has the following registers. Since the register functions are the same in each channel, the channel number is omitted in the description below.

Table 21.2 Register Configuration (1)

Ch.	Register Name	Abbrev.	R/W	P4 Address	Area 7 Address	Size	Sync Clock
0	Serial mode register 0	SCSMR0	R/W	H'FFEA 0000	H'1FEA 0000	16	Pck
	Bit rate register 0	SCBRR0	R/W	H'FFEA 0004	H'1FEA 0004	8	Pck
	Serial control register 0	SCSCR0	R/W	H'FFEA 0008	H'1FEA 0008	16	Pck
	Transmit FIFO data register 0	SCFTDR0	W	H'FFEA 000C	H'1FEA 000C	8	Pck
	Serial status register 0	SCFSR0	R/W* ¹	H'FFEA 0010	H'1FEA 0010	16	Pck
	Receive FIFO data register 0	SCFRDR0	R	H'FFEA 0014	H'1FEA 0014	8	Pck
	FIFO control register 0	SCFCR0	R/W	H'FFEA 0018	H'1FEA 0018	16	Pck
	Transmit FIFO data count register 0	SCTFDR0	R	H'FFEA 001C	H'1FEA 001C	16	Pck
	Receive FIFO data count register 0	SCRFRDR0	R	H'FFEA 0020	H'1FEA 0020	16	Pck
	Serial port register 0	SCSPTR0	R/W	H'FFEA 0024	H'1FEA 0024	16	Pck
	Line status register 0	SCLSR0	R/W* ²	H'FFEA 0028	H'1FEA 0028	16	Pck
	Serial error register 0	SCRER0	R	H'FFEA 002C	H'1FEA 002C	16	Pck
	1	Serial mode register 1	SCSMR1	R/W	H'FFEB 0000	H'1FEB 0000	16
Bit rate register 1		SCBRR1	R/W	H'FFEB 0004	H'1FEB 0004	8	Pck
Serial control register 1		SCSCR1	R/W	H'FFEB 0008	H'1FEB 0008	16	Pck
Transmit FIFO data register 1		SCFTDR1	W	H'FFEB 000C	H'1FEB 000C	8	Pck
Serial status register 1		SCFSR1	R/W* ¹	H'FFEB 0010	H'1FEB 0010	16	Pck
Receive FIFO data register 1		SCFRDR1	R	H'FFEB 0014	H'1FEB 0014	8	Pck
FIFO control register 1		SCFCR1	R/W	H'FFEB 0018	H'1FEB 0018	16	Pck
Transmit FIFO data count register 1		SCTFDR1	R	H'FFEB 001C	H'1FEB 001C	16	Pck
Receive FIFO data count register 1		SCRFRDR1	R	H'FFEB 0020	H'1FEB 0020	16	Pck
Serial port register 1		SCSPTR1	R/W	H'FFEB 0024	H'1FEB 0024	16	Pck
Line status register 1		SCLSR1	R/W* ²	H'FFEB 0028	H'1FEB 0028	16	Pck
Serial error register 1		SCRER1	R	H'FFEB 002C	H'1FEB 002C	16	Pck

Ch.	Register Name	Abbrev.	R/W	P4 Address	Area 7 Address	Size	Sync Clock
2	Serial mode register 2	SCSMR2	R/W	H'FFEC 0000	H'1FEC 0000	16	Pck
	Bit rate register 2	SCBRR2	R/W	H'FFEC 0004	H'1FEC 0004	8	Pck
	Serial control register 2	SCSCR2	R/W	H'FFEC 0008	H'1FEC 0008	16	Pck
	Transmit FIFO data register 2	SCFTDR2	W	H'FFEC 000C	H'1FEC 000C	8	Pck
	Serial status register 2	SCFSR2	R/W* ¹	H'FFEC 0010	H'1FEC 0010	16	Pck
	Receive FIFO data register 2	SCFRDR2	R	H'FFEC 0014	H'1FEC 0014	8	Pck
	FIFO control register 2	SCFCR2	R/W	H'FFEC 0018	H'1FEC 0018	16	Pck
	Transmit FIFO data count register 2	SCTFDR2	R	H'FFEC 001C	H'1FEC 001C	16	Pck
	Receive FIFO data count register 2	SCRFDR2	R	H'FFEC 0020	H'1FEC 0020	16	Pck
	Serial port register 2	SCSPTR2	R/W	H'FFEC 0024	H'1FEC 0024	16	Pck
	Line status register 2	SCLSR2	R/W* ²	H'FFEC 0028	H'1FEC 0028	16	Pck
	Serial error register 2	SCRER2	R	H'FFEC 002C	H'1FEC 002C	16	Pck
3	Serial mode register 3	SCSMR3	R/W	H'FFED 0000	H'1FED 0000	16	Pck
	Bit rate register 3	SCBRR3	R/W	H'FFED 0004	H'1FED 0004	8	Pck
	Serial control register 3	SCSCR3	R/W	H'FFED 0008	H'1FED 0008	16	Pck
	Transmit FIFO data register 3	SCFTDR3	W	H'FFED 000C	H'1FED 000C	8	Pck
	Serial status register 3	SCFSR3	R/W* ¹	H'FFED 0010	H'1FED 0010	16	Pck
	Receive FIFO data register 3	SCFRDR3	R	H'FFED 0014	H'1FED 0014	8	Pck
	FIFO control register 3	SCFCR3	R/W	H'FFED 0018	H'1FED 0018	16	Pck
	Transmit FIFO data count register 3	SCTFDR3	R	H'FFED 001C	H'1FED 001C	16	Pck
	Receive FIFO data count register 3	SCRFDR3	R	H'FFED 0020	H'1FED 0020	16	Pck
	Serial port register 3	SCSPTR3	R/W	H'FFED 0024	H'1FED 0024	16	Pck
	Line status register 3	SCLSR3	R/W* ²	H'FFED 0028	H'1FED 0028	16	Pck
	Serial error register 3	SCRER3	R	H'FFED 002C	H'1FED 002C	16	Pck

21. Serial Communication Interface with FIFO (SCIF)

Ch.	Register Name	Abbrev.	R/W	P4 Address	Area 7 Address	Size	Sync Clock
4	Serial mode register 4	SCSMR4	R/W	H'FFEE 0000	H'1FEE 0000	16	Pck
	Bit rate register 4	SCBRR4	R/W	H'FFEE 0004	H'1FEE 0004	8	Pck
	Serial control register 4	SCSCR4	R/W	H'FFEE 0008	H'1FEE 0008	16	Pck
	Transmit FIFO data register 4	SCFTDR4	W	H'FFEE 000C	H'1FEE 000C	8	Pck
	Serial status register 4	SCFSR4	R/W* ¹	H'FFEE 0010	H'1FEE 0010	16	Pck
	Receive FIFO data register 4	SCFRDR4	R	H'FFEE 0014	H'1FEE 0014	8	Pck
	FIFO control register 4	SCFCR4	R/W	H'FFEE 0018	H'1FEE 0018	16	Pck
	Transmit FIFO data count register 4	SCTFDR4	R	H'FFEE 001C	H'1FEE 001C	16	Pck
	Receive FIFO data count register 4	SCRFRDR4	R	H'FFEE 0020	H'1FEE 0020	16	Pck
	Serial port register 4	SCSPTR4	R/W	H'FFEE 0024	H'1FEE 0024	16	Pck
	Line status register 4	SCLSR4	R/W* ²	H'FFEE 0028	H'1FEE 0028	16	Pck
	Serial error register 4	SCRER4	R	H'FFEE 002C	H'1FEE 002C	16	Pck
5	Serial mode register 1	SCSMR5	R/W	H'FFEF 0000	H'1FEF 0000	16	Pck
	Bit rate register 5	SCBRR5	R/W	H'FFEF 0004	H'1FEF 0004	8	Pck
	Serial control register 5	SCSCR5	R/W	H'FFEF 0008	H'1FEF 0008	16	Pck
	Transmit FIFO data register 5	SCFTDR5	W	H'FFEF 000C	H'1FEF 000C	8	Pck
	Serial status register 5	SCFSR5	R/W* ¹	H'FFEF 0010	H'1FEF 0010	16	Pck
	Receive FIFO data register 5	SCFRDR5	R	H'FFEF 0014	H'1FEF 0014	8	Pck
	FIFO control register 5	SCFCR5	R/W	H'FFEF 0018	H'1FEF 0018	16	Pck
	Transmit FIFO data count register 5	SCTFDR5	R	H'FFEF 001C	H'1FEF 001C	16	Pck
	Receive FIFO data count register 5	SCRFRDR5	R	H'FFEF 0020	H'1FEF 0020	16	Pck
	Serial port register 5	SCSPTR5	R/W	H'FFEF 0024	H'1FEF 0024	16	Pck
	Line status register 5	SCLSR5	R/W* ²	H'FFEF 0028	H'1FEF 0028	16	Pck
	Serial error register 5	SCRER5	R	H'FFEF 002C	H'1FEF 002C	16	Pck

Table 21.2 Register Configuration (2)

Ch.	Register Name	Abbrev.	Power-on Reset by PRESET Pin/ WDT/H-JDI	Manual Reset by WDT/Multiple Exception	Sleep/Deep Sleep by SLEEP Instruction	Module Standby
0	Serial mode register 0	SCSMR0	H'0000	H'0000	Retained	Retained
	Bit rate register 0	SCBRR0	H'FF	H'FF	Retained	Retained
	Serial control register 0	SCSCR0	H'0000	H'0000	Retained	Retained
	Transmit FIFO data register 0	SCFTDR0	Undefined	Undefined	Retained	Retained
	Serial status register 0	SCFSR0	H'0060	H'0060	Retained	Retained
	Receive FIFO data register 0	SCFRDR0	Undefined	Undefined	Retained	Retained
	FIFO control register 0	SCFCR0	H'0000	H'0000	Retained	Retained
	Transmit FIFO data count register 0	SCTFDR0	H'0000	H'0000	Retained	Retained
	Receive FIFO data count register 0	SCRFDR0	H'0000	H'0000	Retained	Retained
	Serial port register 0	SCSPTR0	H'0000* ³	H'0000* ³	Retained	Retained
	Line status register 0	SCLSR0	H'0000	H'0000	Retained	Retained
	Serial error register 0	SCRER0	H'0000	H'0000	Retained	Retained
1	Serial mode register 1	SCSMR1	H'0000	H'0000	Retained	Retained
	Bit rate register 1	SCBRR1	H'FF	H'FF	Retained	Retained
	Serial control register 1	SCSCR1	H'0000	H'0000	Retained	Retained
	Transmit FIFO data register 1	SCFTDR1	Undefined	Undefined	Retained	Retained
	Serial status register 1	SCFSR1	H'0060	H'0060	Retained	Retained
	Receive FIFO data register 1	SCFRDR1	Undefined	Undefined	Retained	Retained
	FIFO control register 1	SCFCR1	H'0000	H'0000	Retained	Retained
	Transmit FIFO data count register 1	SCTFDR1	H'0000	H'0000	Retained	Retained
	Receive FIFO data count register 1	SCRFDR1	H'0000	H'0000	Retained	Retained
	Serial port register 1	SCSPTR1	H'0000* ⁴	H'0000* ⁴	Retained	Retained
	Line status register 1	SCLSR1	H'0000	H'0000	Retained	Retained
	Serial error register 1	SCRER1	H'0000	H'0000	Retained	Retained

21. Serial Communication Interface with FIFO (SCIF)

Ch.	Register Name	Abbrev.	Power-on Reset by $\overline{\text{PRESET}}$ Pin/ WDT/H-UDI	Manual Reset by WDT/Multiple Exception	Sleep/Deep Sleep by SLEEP Instruction	Module Standby
2	Serial mode register 2	SCSMR2	H'0000	H'0000	Retained	Retained
	Bit rate register 2	SCBRR2	H'FF	H'FF	Retained	Retained
	Serial control register 2	SCSCR2	H'0000	H'0000	Retained	Retained
	Transmit FIFO data register 2	SCFTDR2	Undefined	Undefined	Retained	Retained
	Serial status register 2	SCFSR2	H'0060	H'0060	Retained	Retained
	Receive FIFO data register 2	SCFRDR2	Undefined	Undefined	Retained	Retained
	FIFO control register 2	SCFCR2	H'0000	H'0000	Retained	Retained
	Transmit FIFO data count register 2	SCTFDR2	H'0000	H'0000	Retained	Retained
	Receive FIFO data count register 2	SCRFDR2	H'0000	H'0000	Retained	Retained
	Serial port register 2	SCSPTR2	H'0000* ⁴	H'0000* ⁴	Retained	Retained
	Line status register 2	SCLSR2	H'0000	H'0000	Retained	Retained
	Serial error register 2	SCRER2	H'0000	H'0000	Retained	Retained
3	Serial mode register 3	SCSMR3	H'0000	H'0000	Retained	Retained
	Bit rate register 3	SCBRR3	H'FF	H'FF	Retained	Retained
	Serial control register 3	SCSCR3	H'0000	H'0000	Retained	Retained
	Transmit FIFO data register 3	SCFTDR3	Undefined	Undefined	Retained	Retained
	Serial status register 3	SCFSR3	H'0060	H'0060	Retained	Retained
	Receive FIFO data register 3	SCFRDR3	Undefined	Undefined	Retained	Retained
	FIFO control register 3	SCFCR3	H'0000	H'0000	Retained	Retained
	Transmit FIFO data count register 3	SCTFDR3	H'0000	H'0000	Retained	Retained
	Receive FIFO data count register 3	SCRFDR3	H'0000	H'0000	Retained	Retained
	Serial port register 3	SCSPTR3	H'0000* ⁴	H'0000* ⁴	Retained	Retained
	Line status register 3	SCLSR3	H'0000	H'0000	Retained	Retained
	Serial error register 3	SCRER3	H'0000	H'0000	Retained	Retained

Ch.	Register Name	Abbrev.	Power-on Reset by $\overline{\text{PRESET}}$ Pin/ WDT/H-UDI	Manual Reset by WDT/Multiple Exception	Sleep/Deep Sleep by SLEEP Instruction	Module Standby
4	Serial mode register 4	SCSMR4	H'0000	H'0000	Retained	Retained
	Bit rate register 4	SCBRR4	H'FF	H'FF	Retained	Retained
	Serial control register 4	SCSCR4	H'0000	H'0000	Retained	Retained
	Transmit FIFO data register 4	SCFTDR4	Undefined	Undefined	Retained	Retained
	Serial status register 4	SCFSR4	H'0060	H'0060	Retained	Retained
	Receive FIFO data register 4	SCFRDR4	Undefined	Undefined	Retained	Retained
	FIFO control register 4	SCFCR4	H'0000	H'0000	Retained	Retained
	Transmit FIFO data count register 4	SCTFDR4	H'0000	H'0000	Retained	Retained
	Receive FIFO data count register 4	SCRFDR4	H'0000	H'0000	Retained	Retained
	Serial port register 4	SCSPTR4	H'0000* ⁴	H'0000* ⁴	Retained	Retained
	Line status register 4	SCLSR4	H'0000	H'0000	Retained	Retained
5	Serial mode register 5	SCSMR5	H'0000	H'0000	Retained	Retained
	Bit rate register 5	SCBRR5	H'FF	H'FF	Retained	Retained
	Serial control register 5	SCSCR5	H'0000	H'0000	Retained	Retained
	Transmit FIFO data register 5	SCFTDR5	Undefined	Undefined	Retained	Retained
	Serial status register 5	SCFSR5	H'0060	H'0060	Retained	Retained
	Receive FIFO data register 5	SCFRDR5	Undefined	Undefined	Retained	Retained
	FIFO control register 5	SCFCR5	H'0000	H'0000	Retained	Retained
	Transmit FIFO data count register 5	SCTFDR5	H'0000	H'0000	Retained	Retained
	Receive FIFO data count register 5	SCRFDR5	H'0000	H'0000	Retained	Retained
	Serial port register 5	SCSPTR5	H'0000* ⁴	H'0000* ⁴	Retained	Retained
	Line status register 5	SCLSR5	H'0000	H'0000	Retained	Retained
Serial error register 5	SCRER5	H'0000	H'0000	Retained	Retained	

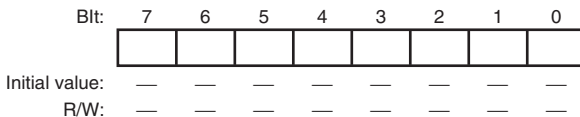
- Notes:
1. Only 0 can be written to bits 7 to 4, 1, and 0 to clear the flags.
 2. Only 0 can be written to bit 0 to clear the flags.
 3. Bits 2 and 0 are undefined.
 4. Bits 6, 4, 2, and 0 are undefined.

21.3.1 Receive Shift Register (SCRSR)

SCRSR is the register used to receive serial data.

The SCIF sets serial data input from the SCIF_RXD pin in SCRSR in the order received, starting with the LSB (bit 0), and converts it to parallel data. When one byte of data has been received, it is transferred to SCFRDR, automatically.

SCRSR cannot be directly read from and written to by the CPU.



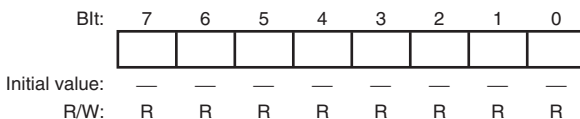
21.3.2 Receive FIFO Data Register (SCFRDR)

SCFRDR is an 8-bit FIFO register of 64 stages that stores received serial data.

When the SCIF has received one byte of serial data, it transfers the received data from SCRSR to SCFRDR where it is stored, and completes the receive operation. SCRSR is then enabled for reception, and consecutive receive operations can be performed until SCFRDR is full.

SCFRDR is a read-only register, and cannot be written to by the CPU.

If a read is performed when there is no receive data in SCFRDR, an undefined value is returned. When SCFRDR is full of receive data, subsequent serial data is lost.

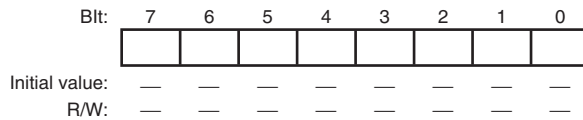


21.3.3 Transmit Shift Register (SCTSR)

SCTSR is a register used to transmit serial data.

To perform serial data transmission, the SCIF first transfers transmit data from SCFTDR to SCTSR, then sends the data to the TXD pin starting with the LSB (bit 0). When transmission of one byte of serial data is completed, the next transmit data is automatically transferred from SCFTDR to SCTSR, and transmission started.

SCTSR cannot be directly read from and written to by the CPU.

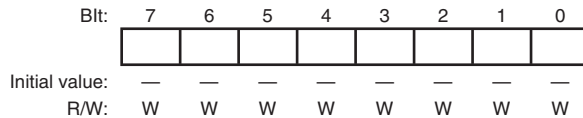


21.3.4 Transmit FIFO Data Register (SCFTDR)

SCFTDR is an 8-bit FIFO register of 64 stages that stores data for serial transmission.

If SCTSR is empty when transmit data has been written to SCFTDR, the SCIF transfers the transmit data written in SCFTDR to SCTSR and starts serial transmission.

SCFTDR is a write-only register, and cannot be read from by the CPU. The next data cannot be written when SCFTDR is filled with 64 bytes of transmit data. Data written in this case is ignored.



21.3.5 Serial Mode Register (SCSMR)

SCSMR is a 16-bit register used to set the SCIF's serial communication format and select the baud rate generator clock source.

SCSMR can always be read from and written to by the CPU.

Bit:	15	14	13	12	11	10	9	8	7	6	5	4	3	2	1	0
	—	—	—	—	—	—	—	—	C/ \bar{A}	CHR	PE	O/ \bar{E}	STOP	—	CKS1	CKS0
Initial value:	0	0	0	0	0	0	0	0	0	0	0	0	0	0	0	0
R/W:	R	R	R	R	R	R	R	R	R/W	R/W	R/W	R/W	R/W	R	R/W	R/W

Bit	Bit Name	Initial Value	R/W	Description
15 to 8	—	All 0	R	Reserved These bits are always read as 0. The write value should always be 0.
7	C/ \bar{A}	0	R/W	Communication Mode Selects asynchronous mode or clocked synchronous mode as the SCIF operating mode. 0: Asynchronous mode 1: Clocked synchronous mode
6	CHR	0	R/W	Character Length Selects 7 or 8 bits as the asynchronous mode data length. In clocked synchronous mode, the data length is fixed at 8 bits regardless of the CHR bit setting. When 7-bit data is selected, the MSB (bit 7) of SCFTDR is not transmitted. 0: 8-bit data 1: 7-bit data

Bit	Bit Name	Initial Value	R/W	Description
5	PE	0	R/W	<p>Parity Enable</p> <p>In asynchronous mode, selects whether or not parity bit addition is performed in transmission, and parity bit checking is performed in reception.</p> <p>In clocked synchronous mode, parity bit addition and checking is disabled regardless of the PE bit setting.</p> <p>0: Parity bit addition and checking disabled 1: Parity bit addition and checking enabled*¹</p>
4	O \bar{E}	0	R/W	<p>Parity Mode</p> <p>Selects either even or odd parity for use in parity addition and checking. In asynchronous mode, the O\bar{E} bit setting is only valid when the PE bit is set to 1, enabling parity bit addition and checking. In clocked synchronous mode or when parity addition and checking is disabled in asynchronous mode, the O\bar{E} bit setting is invalid.</p> <p>0: Even parity 1: Odd parity</p> <p>When even parity is set, parity bit addition is performed in transmission so that the total number of 1-bits in the transmit character plus the parity bit is even. In reception, a check is performed to see if the total number of 1-bits in the receive character plus the parity bit is even.</p> <p>When odd parity is set, parity bit addition is performed in transmission so that the total number of 1-bits in the transmit character plus the parity bit is odd. In reception, a check is performed to see if the total number of 1-bits in the receive character plus the parity bit is odd.</p>

Bit	Bit Name	Initial Value	R/W	Description
3	STOP	0	R/W	<p>Stop Bit Length</p> <p>In asynchronous mode, selects 1 or 2 bits as the stop bit length. The stop bit setting is valid only in asynchronous mode. Since the stop bit is not added in clocked synchronous mode, the STOP bit setting is invalid.</p> <p>0: 1 stop bit*²</p> <p>1: 2 stop bits*³</p> <p>In reception, only the first stop bit is checked, regardless of the STOP bit setting. If the second stop bit is 1, it is treated as a stop bit. If it is 0, it is treated as the start bit of the next transmit character.</p>
2	—	0	R	<p>Reserved</p> <p>This bit is always read as 0. The write value should always be 0.</p>
1	CKS1	0	R/W	Clock Select 1 and 0
0	CKS0	0	R/W	<p>These bits select the clock source for the on-chip baud rate generator. The clock source can be selected from Pck, Pck/4, Pck/16, and Pck/64, according to the CKS1 and CKS0 settings.</p> <p>For details on the relationship among clock sources, bit rate register settings, and baud rate, see section 21.3.8, Bit Rate Register n (SCBRR).</p> <p>00: Pck clock</p> <p>01: Pck/4 clock</p> <p>10: Pck/16 clock</p> <p>11: Pck/64 clock</p>

Legend:

Pck: Peripheral Clock

- Notes:
1. When the PE bit is set to 1, the parity (even or odd) specified by the O/\bar{E} bit is added to transmit data before transmission. In reception, the parity bit is checked for the parity (even or odd) specified by the O/\bar{E} bit.
 2. In transmission, a single 1-bit (stop bit) is added to the end of a transmit character before it is sent.
 3. In transmission, two 1-bits (stop bits) are added to the end of a transmit character before it is sent.

21.3.6 Serial Control Register (SCSCR)

SCSCR is a register used to enable/disable transmission/reception by SCIF, serial clock output, interrupt requests, and to select transmission/reception clock source for the SCIF.

SCSCR can always be read from and written to by the CPU.

Bit:	15	14	13	12	11	10	9	8	7	6	5	4	3	2	1	0
	—	—	—	—	—	—	—	—	TIE	RIE	TE	RE	REIE	—	CKE1	CKE0
Initial value:	0	0	0	0	0	0	0	0	0	0	0	0	0	0	0	0
R/W:	R	R	R	R	R	R	R	R	R/W	R/W	R/W	R/W	R/W	R	R/W	R/W

Bit	Bit Name	Initial Value	R/W	Description
15 to 8	—	All 0	R	Reserved These bits are always read as 0. The write value should always be 0.
7	TIE	0	R/W	Transmit Interrupt Enable Enables or disables transmit-FIFO-data-empty interrupt (TXI) request generation when serial transmit data is transferred from SCFTDR to SCTSR, the number of data bytes in SCFTDR falls to or below the transmit trigger setting count, and the TDFE flag in SCFSR is set to 1. TXI interrupt requests can be released by the following methods: Either by reading 1 from the TDFE flag in SCFSR, writing transmit data exceeding the transmit trigger setting count to SCFTDR and then clearing the TDFE flag in SCFSR to 0, or by clearing the TIE bit to 0. 0: Transmit-FIFO-data-empty interrupt (TXI) request disabled 1: Transmit-FIFO-data-empty interrupt (TXI) request enabled

Bit	Bit Name	Initial Value	R/W	Description
6	RIE	0	R/W	<p>Receive Interrupt Enable^{*1}</p> <p>Enables or disables generation of a receive-data-full interrupt (RXI) request when the RDF flag or DR flag in SCFSR is set to 1, a receive-error interrupt (ERI) request when the ER flag in SCFSR is set to 1, and a break interrupt (BRI) request when the BRK flag in SCFSR or the ORER flag in SCLSR is set to 1.</p> <p>0: Receive-data-full interrupt (RXI) request, receive-error interrupt (ERI) request, and break interrupt (BRI) request disabled</p> <p>1: Receive-data-full interrupt (RXI) request, receive-error interrupt (ERI) request, and break interrupt (BRI) request enabled</p>
5	TE	0	R/W	<p>Transmit Enable</p> <p>Enables or disables the start of serial transmission by the SCIF.</p> <p>Serial transmission is started when transmit data is written to SCFTDR while the TE bit is set to 1.</p> <p>0: Transmission disabled</p> <p>1: Transmission enabled^{*2}</p>

Bit	Bit Name	Initial Value	R/W	Description
4	RE	0	R/W	<p>Receive Enable</p> <p>Enables or disables the start of serial reception by the SCIF.</p> <p>Serial reception is started when a start bit or a synchronization clock input is detected in asynchronous mode or clocked synchronous mode, respectively, while the RE bit is set to 1.</p> <p>It should be noted that clearing the RE bit to 0 does not affect the ER, BRK, FER, PER, RDF, and DR flags in SCFSR, and ORER flag in SCLSR, which retain their states.</p> <p>Serial reception begins once the start bit is detected in these states.</p> <p>0: Reception disabled 1: Reception enabled*³</p>
3	REIE	0	R/W	<p>Receive Error Interrupt Enable</p> <p>Enables or disables generation of receive-error interrupt (ERI) and break interrupt (BRI) requests. The REIE bit setting is valid only when the RIE bit is 0.</p> <p>Receive-error interrupt (ERI) and break interrupt (BRI) requests can be cleared by reading 1 from ER and BRK in SCFSR, or the ORER flag in SCLSR, then clearing the flag to 0, or by clearing the RIE and REIE bits to 0. When REIE is set to 1, ERI and BRI interrupt requests are generated even if RIE is cleared to 0. In DMA transfer, this setting is made if the interrupt controller is to be notified of ERI and BRI interrupt requests.</p> <p>0: Receive-error interrupt (ERI) and break interrupt (BRI) requests disabled 1: Receive-error interrupt (ERI) and break interrupt (BRI) requests enabled</p>
2	—	0	R	<p>Reserved</p> <p>This bit is always read as 0. The write value should always be 0.</p>

Bit	Bit Name	Initial Value	R/W	Description
1	CKE1	0	R/W	Clock Enable 1, 0
0	CKE0	0	R/W	<p>These bits select the SCIF clock source and whether to enable or disable the clock output from the SCIF_SCK pin. The CKE1 and CKE0 bits are used together to specify whether the SCIF_SCK pin functions as a serial clock output pin or a serial clock input pin. Note however that the CKE0 bit setting is valid only when an internal clock is selected as the SCIF clock source (CKE1 = 0). When an external clock is selected (CKE1 = 1), the CKE0 bit setting is invalid. The CKE1 and CKE0 bit must be set before determining the SCIF's operating mode with SCSMR.</p> <ul style="list-style-type: none"> Asynchronous mode <ul style="list-style-type: none"> 00: Internal clock/SCIF_SCK pin functions as port according to the SCSPTR settings 01: Internal clock/SCIF_SCK pin functions as clock output*⁴ 1x: External clock/SCIF_SCK pin functions as clock input*⁵ Clocked synchronous mode <ul style="list-style-type: none"> 0x: Internal clock/SCIF_SCK pin functions as synchronization clock output 1x: External clock/SCIF_SCK pin functions as synchronization clock input

Legend:

x: Don't care

- Notes:
- An RXI interrupt request can be canceled by reading 1 from the RDF or DR flag in SCFSR, then clearing the flag to 0, or by clearing the RIE bit to 0. ERI and BRI interrupt requests can be canceled by reading 1 from ER and BRK in SCFSR, or ORER flag in SCFSR, then clearing the flag to 0, or by clearing the RIE and REIE bits to 0.
 - SCSMR and SCFCR settings must be made, the transmission format determined, and the transmit FIFO reset (the TFCL bit in SCFCR set to 1), before the TE bit is set to 1.
 - SCSMR and SCFCR settings must be made, the reception format determined, and the receive FIFO reset (the RFCL bit in SCFCR set to 1), before the RE bit is set to 1.
 - The output clock frequency is 16 times the bit rate.
 - The input clock frequency is 16 times the bit rate.
- (For the relation between the value set in SCBRR and the baud rate generator, see section 21.3.8, Bit Rate Register n (SCBRR).)

21.3.7 Serial Status Register n (SCFSR)

SCFSR is a 16-bit register that consists of status flags that indicate the operating status of the SCIF.

SCFSR can be always read from or written to by the CPU. However, 1 cannot be written to the ER, TEND, TDFE, BRK, RDF, and DR flags. Also note that in order to clear these flags they must be read as 1 beforehand. The FER flag and PER flag are read-only flags and cannot be modified.

Bit:	15	14	13	12	11	10	9	8	7	6	5	4	3	2	1	0
	—	—	—	—	—	—	—	—	ER	TEND	TDFE	BRK	FER	PER	RDF	DR
Initial value:	0	0	0	0	0	0	0	0	0	1	1	0	0	0	0	0
R/W:	R	R	R	R	R	R	R	R	R/W*	R/W*	R/W*	R/W*	R	R	R/W*	R/W*

Note: * Only 0 can be written to clear the flag.

Bit	Bit Name	Initial Value	R/W	Description
15 to 8	—	All 0	R	Reserved These bits are always read as 0. The write value should always be 0.

Bit	Bit Name	Initial Value	R/W	Description
7	ER	0	R/W* ¹	<p>Receive Error</p> <p>Indicates that a framing error or parity error occurred during reception. The ER flag is not affected and retains its previous state when the RE bit in SCSCR is cleared to 0. When a receive error occurs, the receive data is still transferred to SCFRDR, and reception continues.</p> <p>The FER and PER bits in SCFSR can be used to determine whether there is a receive error in the readout data from SCFRDR.</p> <p>0: No framing error or parity error occurred during reception</p> <p>[Clearing conditions]</p> <ul style="list-style-type: none"> • Power-on reset or manual reset • When 0 is written to ER after reading ER = 1 <p>1: A framing error or parity error occurred during reception</p> <p>[Setting conditions]</p> <ul style="list-style-type: none"> • When the SCIF checks whether the stop bit at the end of the receive data is 1 when reception ends, and the stop bit is 0*² • When, in reception, the number of 1-bits in the receive data plus the parity bit does not match the parity setting (even or odd) specified by the O/E bit in SCSMR.
6	TEND	1	R/W* ¹	<p>Transmit End</p> <p>Indicates that transmission has been ended without valid data in SCFTDR on transmission of the last bit of the transmit character.</p> <p>0: Transmission is in progress</p> <p>[Clearing conditions]</p> <ul style="list-style-type: none"> • When transmit data is written to SCFTDR, and 0 is written to TEND after reading TEND = 1 • When data is written to SCFTDR by the DMAC <p>1: Transmission has been ended</p> <p>[Setting conditions]</p> <ul style="list-style-type: none"> • Power-on reset or manual reset • When the TE bit in SCSCR is 0 • When there is no transmit data in SCFTDR on transmission of the last bit of a 1-byte serial transmit character

Bit	Bit Name	Initial Value	R/W	Description
5	TDFE	1	R/W* ¹	<p>Transmit FIFO Data Empty</p> <p>Indicates that data has been transferred from SCFTDR to SCTSR, the number of data bytes in SCFTDR has fallen to or below the transmit trigger data count set by the TTRG1 and TTRG0 bits in SCFCR, and new transmit data can be written to SCFTDR.</p> <p>0: A number of transmit data bytes exceeding the transmit trigger setting count have been written to SCFTDR</p> <p>[Clearing conditions]</p> <ul style="list-style-type: none"> • When transmit data exceeding the transmit trigger setting count is written to SCFTDR after reading TDFE = 1, and 0 is written to TDFE • When transmit data exceeding the transmit trigger setting count is written to SCFTDR by the DMAC <p>1: The number of transmit data bytes in SCFTDR does not exceed the transmit trigger setting count</p> <p>[Setting conditions]</p> <ul style="list-style-type: none"> • Power-on reset or manual reset • When the number of SCFTDR transmit data bytes falls to or below the transmit trigger setting count as the result of a transmit operation*³
4	BRK	0	R/W* ¹	<p>Break Detection</p> <p>Indicates that a receive data break signal has been detected.</p> <p>0: A break signal has not been received</p> <p>[Clearing conditions]</p> <ul style="list-style-type: none"> • Power-on reset or manual reset • When 0 is written to BRK after reading BRK = 1 <p>1: A break signal has been received*⁴</p> <p>[Setting condition]</p> <ul style="list-style-type: none"> • When data with a framing error is received, followed by the space 0 level (low level) for at least one frame length

Bit	Bit Name	Initial Value	R/W	Description
3	FER	0	R	<p>Framing Error Display</p> <p>In asynchronous mode, indicates whether or not a framing error has been found in the data that is to be read from SCFRDR.</p> <p>0: There is no framing error that is to be read next from SCFRDR</p> <p>[Clearing conditions]</p> <ul style="list-style-type: none">• Power-on reset or manual reset• When there is no framing error in the data that is to be read next from SCFRDR <p>1: There is a framing error that is to be read from SCFRDR</p> <p>[Setting condition]</p> <ul style="list-style-type: none">• When there is a framing error in the data that is to be read next from SCFRDR
2	PER	0	R	<p>Parity Error Display</p> <p>In asynchronous mode, indicates whether or not a parity error has been found in the data that is to be read next from SCFRDR.</p> <p>0: There is no parity error that is to be read from SCFRDR</p> <p>[Clearing conditions]</p> <ul style="list-style-type: none">• Power-on reset or manual reset• When there is no parity error in the data that is to be read next from SCFRDR <p>1: There is a parity error in the receive data that is to be read next from SCFRDR</p> <p>[Setting condition]</p> <ul style="list-style-type: none">• When there is a parity error in the data that is to be read next from SCFRDR

Bit	Bit Name	Initial Value	R/W	Description
1	RDF	0	R/W* ¹	<p>Receive FIFO Data Full</p> <p>Indicates that the received data has been transferred from SCRSR to SCFRDR, and the number of receive data bytes in SCFRDR is equal to or greater than the receive trigger count set by the RTRG1 and RTRG0 bits in SCFCR.</p> <p>0: The number of receive data bytes in SCFRDR is less than the receive trigger setting count.</p> <p>[Clearing conditions]</p> <ul style="list-style-type: none"> • Power-on reset or manual reset • When SCFRDR is read until the number of receive data bytes in SCFRDR falls below the receive trigger setting count after reading RDF = 1, and 0 is written to RDF • When SCFRDR is read by the DMAC until the number of receive data bytes in SCFRDR falls below the receive trigger setting count <p>1: The number of receive data bytes in SCFRDR is equal to or greater than the receive trigger setting count</p> <p>[Setting condition]</p> <ul style="list-style-type: none"> • When SCFRDR contains at least the receive trigger setting count of receive data bytes*⁵

Bit	Bit Name	Initial Value	R/W	Description
0	DR	0	R/W* ¹	<p>Receive Data Ready</p> <p>In asynchronous mode, indicates that there are fewer than the receive trigger setting count of data bytes in SCFRDR, and no further data has arrived for at least 15 etu after the stop bit of the last data received. This is not set when using clocked synchronous mode.</p> <p>0: Reception is in progress or has ended normally and there is no receive data left in SCFRDR</p> <p>[Clearing conditions]</p> <ul style="list-style-type: none"> • Power-on reset or manual reset • When all the receive data in SCFRDR has been read after reading DR = 1, and 0 is written to DR • When all the receive data in SCFRDR has been read by the DMAC <p>1: No further receive data has arrived</p> <p>[Setting condition]</p> <ul style="list-style-type: none"> • When SCFRDR contains fewer than the receive trigger setting count of receive data bytes, and no further data has arrived for at least 15 etu after the stop bit of the last data received*⁶

Legend:

etu: Elementary time unit (time for transfer of 1 bit)

- Notes:
1. Only 0 can be written to clear the flag.
 2. In 2-stop bit mode, only the first stop bit is checked for a value of 1; the second stop bit is not checked.
 3. As SCFTDR is a 64-byte FIFO register, the maximum number of bytes that can be written when TDFE = 1 is 64 – (transmit trigger setting count). Data written in excess of this is ignored. The upper bits of SCTFDR indicate the number of data bytes transmitted to SCFTDR.
 4. When a break is detected, the receive data (H'00) following detection is not transferred to SCFRDR. When the break ends and the receive signal returns to mark 1, receive data transfer is resumed.
 5. SCFRDR is a 64-byte FIFO register. When RDF = 1, at least the receive trigger setting count of data bytes can be read. If all the data in SCFRDR is read and another read is performed, the data value is undefined. The number of receive data bytes in SCFRDR is indicated by SCRFDR.
 6. Equivalent to 1.5 frames with an 8-bit, 1-stop-bit format

21.3.8 Bit Rate Register n (SCBRR)

SCBRR is an 8-bit register that sets the serial transmission/reception bit rate in accordance with the baud rate generator operating clock selected by the CKS1 and CKS0 bits in SCSMR.

SCBRR can always be read from and written to by the CPU.

The SCBRR setting is found from the following equation.

Asynchronous mode:

$$N = \frac{Pck}{64 \times 2^{2n-1} \times B} \times 10^6 - 1$$

Clocked synchronous mode:

$$N = \frac{Pck}{8 \times 2^{2n-1} \times B} \times 10^6 - 1$$

Where B: Bit rate (bit/s)

N: SCBRR setting for baud rate generator ($0 \leq N \leq 255$)

Pck: Peripheral module operating frequency (MHz)

n: 0, 1, 2, 3

(See table 21.3 for the relation between n and the baud rate generator input clock.)

Table 21.3 SCSMR Settings

n	Baud Rate Generator Input Clock	SCSMR Setting	
		CKS1	CKS0
0	Pck	0	0
1	Pck/4	0	1
2	Pck/16	1	0
3	Pck/64	1	1

The bit rate error in asynchronous mode is found from the following equation:

$$\text{Error (\%)} = \left\{ \frac{Pck \times 10^6}{(N + 1) \times B \times 64 \times 2^{2n-1}} - 1 \right\} \times 100$$

21.3.9 FIFO Control Register n (SCFCR)

SCFCR is a register that performs data count resetting and trigger data number setting for transmit and receive FIFO registers, and also contains a loopback test enable bit.

SCFCR can always be read from and written to by the CPU.

Bit:	15	14	13	12	11	10	9	8	7	6	5	4	3	2	1	0
	—	—	—	—	—	RST RG2*1	RST RG1*1	RST RG0*1	RTRG1	RTRG0	TTRG1	TTRG0	MCE*1	TFCL	RFCL	LOOP
Initial value:	0	0	0	0	0	0	0	0	0	0	0	0	0	0	0	0
R/W:	R	R	R	R	R	R/W	R/W	R/W	R/W	R/W	R/W	R/W	R/W	R/W	R/W	R/W

Bit	Bit Name	Initial Value	R/W	Description
15 to 11	—	All 0	R	Reserved These bits are always read as 0. The write value should always be 0.
10	RSTRG2*1	0	R/W	SCIF_RTS Output Active Trigger
9	RSTRG1*1	0	R/W	The SCIF_RTS signal becomes high when the number of receive data stored in SCFRDR exceeds the trigger setting count shown below. 000:63 001:1 010:8 011:16 100:32 101:48 110:54 111:60
8	RSTRG0*1	0	R/W	
7	RTRG1	0	R/W	Receive FIFO Data Count Trigger
6	RTRG0	0	R/W	These bits are used to set the number of receive data bytes that sets the RDF flag in SCFSR. The RDF flag is set when the number of receive data bytes in SCFRDR is equal to or greater than the trigger setting count shown below. 00:1 01:16 10:32 11:48

Bit	Bit Name	Initial Value	R/W	Description
5	TTRG1	0	R/W	Transmit FIFO Data Count Trigger
4	TTRG0	0	R/W	These bits are used to set the number of remaining transmit data bytes that sets the TDFE flag in SCFSR. The TDFE flag is set when the number of transmit data bytes in SCFTDR is equal to or less than the trigger setting count shown below. 00: 32 (32)* ² 01:16 (48) 10: 2 (62) 11: 0 (64)
3	MCE* ¹	0	R/W	Modem Control Enable Enables the <u>SCIF_CTS</u> and <u>SCIF_RTS</u> modem control signals. Always set the MCE bit to 0 in clocked synchronous mode. 0: Modem signals disabled* ³ 1: Modem signals enabled
2	TFCL	0	R/W	Transmit FIFO Data Count Register Clear Clears the transmit data count in the transmit FIFO data count register to 0. 0: The FIFO data count not cleared* ⁴ 1: The FIFO data count cleared to 0
1	RFCL	0	R/W	Receive FIFO Data Count Register Clear Clears the receive data count in the receive FIFO data count register to 0. 0: The FIFO data count not cleared* ⁴ 1: The FIFO data count cleared
0	LOOP	0	R/W	Loopback Test Internally connects the transmit output pin (SCIF_TXD) and receive input pin (SCIF_RXD), and the <u>SCIF_RTS</u> pin and <u>SCIF_CTS</u> pin, enabling loopback testing. 0: Loopback test disabled 1: Loopback test enabled

- Notes:
1. Only channel 0. Reserved bit in channels 1 to 5.
 2. Figures in parentheses are the number of empty bytes in SCFTDR when the flag is set.
 3. SCIF_CTS is fixed at active-0 regardless of the input value, and SCIF_RTS output is also fixed at 0.
 4. A reset operation is performed in the event of a power-on reset or manual reset.

21.3.10 Transmit FIFO Data Count Register n (SCTFDR)

SCTFDR is a 16-bit register that indicates the number of transmit data bytes stored in SCFTDR.

SCTFDR can always be read from the CPU.

Bit:	15	14	13	12	11	10	9	8	7	6	5	4	3	2	1	0
	—	—	—	—	—	—	—	—	—	T6	T5	T4	T3	T2	T1	T0
Initial value:	0	0	0	0	0	0	0	0	0	0	0	0	0	0	0	0
R/W:	R	R	R	R	R	R	R	R	R	R	R	R	R	R	R	R

Bit	Bit Name	Initial Value	R/W	Description
15 to 7	—	All 0	R	Reserved These bits are always read as 0. The write value should always be 0.
6 to 0	T6 to T0	All 0	R	These bits show the number of untransmitted data bytes in SCFTDR. A value of H'00 indicates that there is no transmit data, and a value of H'40 indicates that SCFTDR is full of the maximum number (64 bytes) of transmit data.

21.3.11 Receive FIFO Data Count Register n (SCRFDR)

SCRFDR is a 16-bit register that indicates the number of receive data bytes stored in SCFRDR.

SCRFDR can always be read from the CPU.

Bit:	15	14	13	12	11	10	9	8	7	6	5	4	3	2	1	0
	—	—	—	—	—	—	—	—	—	R6	R5	R4	R3	R2	R1	R0
Initial value:	0	0	0	0	0	0	0	0	0	0	0	0	0	0	0	0
R/W:	R	R	R	R	R	R	R	R	R	R	R	R	R	R	R	R

Bit	Bit Name	Initial Value	R/W	Description
15 to 7	—	All 0	R	Reserved These bits are always read as 0. The write value should always be 0.
6 to 0	R6 to R0	All 0	R	These bits show the number of receive data bytes in SCFRDR. A value of H'00 indicates that there is no receive data, and a value of H'40 indicates that SCFRDR is full of receive data.

21.3.12 Serial Port Register n (SCSPTR)

SCSPTR is a 16-bit readable/writable register that controls input/output and data for the port pins multiplexed with the serial communication interface (SCIF) pins at all times. Input data can be read from the RXD pin, and output data written to the TXD pin, and breaks in serial transmission/reception controlled, by means of bits 1 and 0.

All SCSPTR bits except bits 6, 4, 2, and 0 are initialized to 0 by a power-on reset or manual reset; the value of bits 6, 4, 2, and 0 is undefined. SCSPTR is not initialized in the module standby state.

Note that when reading data via a serial port pin in the SCIF, the peripheral clock value from 2 cycles before is read.

Bit:	15	14	13	12	11	10	9	8	7	6	5	4	3	2	1	0
	—	—	—	—	—	—	—	—	RTS IO*	RTS DT*	CTS IO*	CTS DT*	SCK IO	SCK DT	SPB2 IO	SPB2 DT
Initial value:	0	0	0	0	0	0	0	0	0	—	0	—	0	—	0	—
R/W:	R	R	R	R	R	R	R	R	R/W	R/W	R/W	R/W	R/W	R/W	R/W	R/W

Bit	Bit Name	Initial Value	R/W	Description
15 to 8	—	All 0	R	Reserved These bits are always read as 0. The write value should always be 0.
7	RTSIO*	0	R/W	Serial Port $\overline{\text{SCIF_RTS}}$ Port Input/Output Specifies the serial port $\overline{\text{SCIF_RTS}}$ pin input/output condition. When actually setting the $\overline{\text{SCIF_RTS}}$ pin as a port output pin to output the value set by the RTS _{SDT} bit, the MCE bit in SCFCR should be cleared to 0. 0: RTS _{SDT} bit value is not output to $\overline{\text{SCIF_RTS}}$ pin 1: RTS _{SDT} bit value is output to $\overline{\text{SCIF_RTS}}$ pin

Bit	Bit Name	Initial Value	R/W	Description
6	RTSDT*	—	R/W	<p>Serial Port $\overline{\text{SCIF_RTS}}$ Port Data</p> <p>Specifies the serial port $\overline{\text{SCIF_RTS}}$ pin input/output data. Input or output is specified by the RTSIO bit. In output mode, the RTSDT bit value is output to the $\overline{\text{SCIF_RTS}}$ pin. The $\overline{\text{SCIF_RTS}}$ pin value is read from the RTSDT bit regardless of the value of the RTSIO bit. The initial value of this bit after a power-on reset or manual reset is undefined.</p> <p>0: Input/output data is low-level 1: Input/output data is high-level</p>
5	CTSIO*	0	R/W	<p>Serial Port $\overline{\text{SCIF_CTS}}$ Port Input/Output</p> <p>Specifies the serial port $\overline{\text{SCIF_CTS}}$ pin input/output condition. When actually setting the $\overline{\text{SCIF_CTS}}$ pin as a port output pin to output the value set by the CTSDT bit, the MCE bit in SCFCR should be cleared to 0.</p> <p>0: CTSDT bit value is not output to $\overline{\text{SCIF_CTS}}$ pin 1: CTSDT bit value is output to $\overline{\text{SCIF_CTS}}$ pin</p>
4	CTSDT*	—	R/W	<p>Serial Port $\overline{\text{SCIF_CTS}}$ Port Data</p> <p>Specifies the serial port $\overline{\text{SCIF_CTS}}$ pin input/output data. Input or output is specified by the CTSIO bit. In output mode, the CTSDT bit value is output to the $\overline{\text{SCIF_CTS}}$ pin. The $\overline{\text{SCIF_CTS}}$ pin is read from the CTSDT bit regardless of the value of the CTSIO bit. The initial value of this bit after a power-on reset or manual reset is undefined.</p> <p>0: Input/output data is low-level 1: Input/output data is high-level</p>
3	SCKIO	0	R/W	<p>Serial Port Clock Port Input/Output</p> <p>Specifies the serial port $\overline{\text{SCIF_SCK}}$ pin input/output condition. When actually setting the $\overline{\text{SCIF_SCK}}$ pin as a port output pin to output the value set by the SCKDT bit, the CKE1 and CKE0 bits in SCSCR should be cleared to 0.</p> <p>0: SCKDT bit value is not output to $\overline{\text{SCIF_SCK}}$ pin 1: SCKDT bit value is output to $\overline{\text{SCIF_SCK}}$ pin</p>

Bit	Bit Name	Initial Value	R/W	Description
2	SCKDT	—	R/W	<p>Serial Port Clock Port Data</p> <p>Specifies the serial port SCIF_SCK pin input/output data. Input or output is specified by the SCKIO bit. In output mode, the SCKDT bit value is output to the SCIF_SCK pin. The SCIF_SCK pin value is read from the SCKDT bit regardless of the value of the SCKIO bit. The initial value of this bit after a power-on reset or manual reset is undefined.</p> <p>0: Input/output data is low-level 1: Input/output data is high-level</p>
1	SPB2IO	0	R/W	<p>Serial Port Break Input/Output</p> <p>This bit specifies serial port SCIF_TXD pin output condition. When actually setting the SCIF_TXD pin as a port output pin to output the value set by the SPB2DT bit, the TE bit in SCSCR should be cleared to 0.</p> <p>0: SPB2DT bit value is not output to the SCIF_TXD pin 1: SPB2DT bit value is output to the SCIF_TXD pin</p>
0	SPB2DT	—	R/W	<p>Serial Port Break Data</p> <p>Specifies the serial port SCIF_RXD pin input data and SCIF_TXD pin output data. The SCIF_TXD pin output condition is specified by the SPB2IO bit. When the SCIF_TXD pin is designated as an output, the value of the SPB2DT bit is output to the SCIF_TXD pin. The SCIF_RXD pin value is read from the SPB2DT bit regardless of the value of the SPB2IO bit. The initial value of this bit after a power-on reset or manual reset is undefined.</p> <p>0: Input/output data is low-level 1: Input/output data is high-level</p>

Note: * Only channel 0. Reserved bit in channels 1 to 5.

21.3.13 Line Status Register n (SCLSR)

Bit:	15	14	13	12	11	10	9	8	7	6	5	4	3	2	1	0
	—	—	—	—	—	—	—	—	—	—	—	—	—	—	—	ORER
Initial value:	0	0	0	0	0	0	0	0	0	0	0	0	0	0	0	0
R/W:	R	R	R	R	R	R	R	R	R	R	R	R	R	R	R	R/W*

Note: * Only 0 can be written to clear the flag.

Bit	Bit Name	Initial Value	R/W	Description
15 to 1	—	All 0	R	Reserved These bits are always read as 0. The write value should always be 0.
0	ORER	0	R/W* ¹	Overrun Error Indicates that an overrun error occurred during reception, causing abnormal termination. 0: Reception in progress, or reception has ended normally* ² [Clearing conditions] <ul style="list-style-type: none"> Power-on reset or manual reset When 0 is written to ORER after reading ORER = 1, 1: An overrun error occurred during reception* ³ [Setting condition] <ul style="list-style-type: none"> When the next serial reception is completed while SCFRDR receives 64-byte data (SCFRDR is full)

- Notes:
- Only 0 can be written to clear the flag.
 - The ORER flag is not affected and retains its previous state when the RE bit in SCSCR is cleared to 0.
 - The receive data prior to the overrun error is retained in SCFRDR, and the data received subsequently is lost. Serial reception cannot be continued while the ORER flag is set to 1.

21.3.14 Serial Error Register n (SCRER)

SCRER is a 16-bit register that indicates the number of receive errors in the data in SCFRDR. SCRER can always be read from the CPU.

Bit:	15	14	13	12	11	10	9	8	7	6	5	4	3	2	1	0
	—	—	PER5	PER4	PER3	PER2	PER1	PER0	—	—	FER5	FER4	FER3	FER2	FER1	FER0
Initial value:	0	0	0	0	0	0	0	0	0	0	0	0	0	0	0	0
R/W:	R	R	R	R	R	R	R	R	R	R	R	R	R	R	R	R

Bit	Bit Name	Initial Value	R/W	Description
15, 14	—	All 0	R	Reserved These bits are always read as 0. The write value should always be 0.
13	PER5	0	R	Number of Parity Errors
12	PER4	0	R	These bits indicate the number of data bytes in which a parity error occurred in the receive data stored in SCFRDR. After the ER bit in SCFSR is set, the value indicated by bits PER5 to PER0 is the number of data bytes in which a parity error occurred. If all 64 bytes of receive data in SCFRDR have parity errors, the value indicated by bits PER5 to PER0 is 0.
11	PER3	0	R	
10	PER2	0	R	
9	PER1	0	R	
8	PER0	0	R	
7, 6	—	All 0	R	Reserved These bits are always read as 0. The write value should always be 0.
5	FER5	0	R	Number of Framing Errors
4	FER4	0	R	These bits indicate the number of data bytes in which a framing error occurred in the receive data stored in SCFRDR. After the ER bit in SCFSR is set, the value indicated by bits FER5 to FER0 is the number of data bytes in which a framing error occurred. If all 64 bytes of receive data in SCFRDR have framing errors, the value indicated by bits FER5 to FER0 is 0.
3	FER3	0	R	
2	FER2	0	R	
1	FER1	0	R	
0	FER0	0	R	

21.4 Operation

21.4.1 Overview

The SCIF can perform serial communication in asynchronous mode, in which synchronization is achieved character by character and in clocked synchronous mode, in which synchronization is achieved with clock pulses. For details on asynchronous mode, see section 21.4.2, Operation in Asynchronous Mode.

64-stage FIFO buffers are provided for both transmission and reception, reducing the CPU overhead, and enabling fast and continuous communication to be performed.

$\overline{\text{SCIF_RTS}}$ and $\overline{\text{SCIF_CTS}}$ signals are also provided as modem control signals (only in channel 0).

The serial transfer format is selected using SCSMR as shown in table 21.4. The SCIF clock source is determined by the combination of the $\overline{\text{C/A}}$ bit in SCSMR and the CKE1 and CKE0 bits in SCSCR , as shown in table 21.5.

Asynchronous Mode:

- Data length: Choice of 7 or 8 bits
- LSB first for data transmission and reception
- Choice of parity addition and addition of 1 or 2 stop bits (the combination of these parameters determines the transfer format and character length)
- Detection of framing errors, parity errors, receive-FIFO-data-full state, overrun errors, receive-data-ready state, and breaks, during reception
- Indication of the number of data bytes stored in the transmit and receive FIFO registers
- Choice of peripheral clock (Pck) or SCIF_SCK pin input as SCIF clock source

When peripheral clock is selected: The SCIF operates on the baud rate generator clock and can output a clock with frequency of 16 times the bit rate.

When SCIF_SCK pin input is selected: A clock with frequency of 16 times the bit rate must be input (the on-chip baud rate generator is not used).

Clocked Synchronous Mode

- Data length: Fixed at 8 bits
 - LSB first for data transmission and reception
 - Detection of overrun errors during reception
 - Choice of peripheral clock (Pck) or SCIF_SCK pin input as SCIF clock source
- When peripheral clock (Pck) is selected: The SCIF operates on the baud rate generator clock and a serial clock is output to external devices.
- When SCIF_SCK pin input is selected: The on-chip baud rate generator is not used and the SCIF operates on the input serial clock.

Table 21.4 SCSMR Settings for Serial Transfer Format Selection

SCSMR Settings				SCIF Transfer Format			
Bit 7: C/ \bar{A}	Bit 6: CHR	Bit 5: PE	Bit 3: STOP	Mode	Data Length	Parity Bit	Stop Bit Length
0	0	0	0	Asynchronous mode	8-bit data	No	1 bit
			1				2 bits
		1	0			Yes	1 bit
			1			2 bits	
	1	0	0		7-bit data	No	1 bit
			1				2 bits
		1	0			Yes	1 bit
			1			2 bits	
1	x	x	x	Clocked synchronous mode	8-bit data	No	No

Legend:

x: Don't care

Table 21.5 SCSMR and SCSCR Settings for SCIF Clock Source Selection

SCSMR		SCSCR Settings		Mode	Clock Source	SCIF_SCK Pin Function
Bit 7: C/ \bar{A}	Bit 1: CKE1	Bit 0: CKE0				
0	0	0	Asynchronous mode	Internal	SCIF does not use SCIF_SCK pin	
		1			Outputs clock with frequency of 16 times the bit rate	
	1	0		External	Inputs clock with frequency of 16 times the bit rate	
		1				
1	0	0	Clocked synchronous mode	Internal	Outputs synchronization clock	
		1				
	1	0		External	Inputs synchronization clock	
		1				

21.4.2 Operation in Asynchronous Mode

In asynchronous mode, a character that consists of data with a start bit indicating the start of communication and a stop bit indicating the end of communication is transmitted or received. In this mode, serial communication is performed with synchronization achieved character by character.

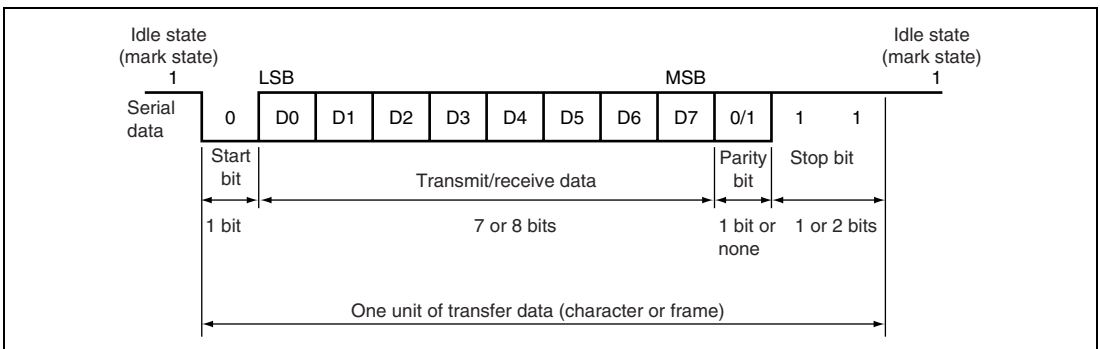
Inside the SCIF, the transmitter and receiver are independent units, enabling full-duplex communication. Both the transmitter and receiver have a 64-stage FIFO buffer structure, so that data can be read or written during transmission or reception, enabling continuous data transmission and reception.

Figure 21.7 shows the general format for asynchronous serial communication.

In asynchronous serial communication, the transmission line is usually held in the mark state (high level). The SCIF monitors the transmission line, and when it goes to the space state (low level), recognizes a start bit and starts serial communication.

One character in serial communication consists of a start bit (low level), followed by transmit/receive data (LSB first; from the lowest bit), a parity bit (high or low level), and finally stop bits (high level).

In reception in asynchronous mode, the SCIF synchronizes with the fall of the start bit. Receive data can be latched at the middle of each bit because the SCIF samples data at the eighth clock with frequency of 16 times the bit rate.



**Figure 21.7 Data Format in Asynchronous Communication
(Example with 8-Bit Data, Parity, and Two Stop Bits)**

(1) Data Transfer Format

Table 21.6 shows the data transfer formats that can be used. Any of 8 transfer formats can be selected according to the SCSMR settings.

Table 21.6 Serial Transfer Formats (Asynchronous Mode)

SCSMR Settings			Serial Transfer Format and Frame Length												
CHR	PE	STOP	1	2	3	4	5	6	7	8	9	10	11	12	
0	0	0	S	8-bit data								STOP			
0	0	1	S	8-bit data								STOP	STOP		
0	1	0	S	8-bit data								P	STOP		
0	1	1	S	8-bit data								P	STOP	STOP	
1	0	0	S	7-bit data							STOP				
1	0	1	S	7-bit data							STOP	STOP			
1	1	0	S	7-bit data							P	STOP			
1	1	1	S	7-bit data							P	STOP	STOP		

Legend:

S: Start bit

STOP: Stop bit

P: Parity bit

(2) Clock

Either an internal clock generated by the on-chip baud rate generator or an external clock input at the SCIF_SCK pin can be selected as the SCIF's serial clock, according to the settings of the C/\bar{A} bit in SCSMR and the CKE1 and CKE0 bits in SCSCR. For details on SCIF clock source selection, see table 21.5.

When an external clock is input to the SCIF_SCK pin, the clock frequency should be 16 times the bit rate used.

When the SCIF is operated on an internal clock, a clock with frequency of 16 times the bit rate is output from the SCIF_SCK pin.

(3) SCIF Initialization (Asynchronous Mode)

Before transmitting and receiving data, it is necessary to clear the TE and RE bits in SCSCR to 0, then initialize the SCIF as described below.

When the operating mode or transfer format, etc., is changed, the TE and RE bits must be cleared to 0 before making the change using the following procedure.

1. When the TE bit is cleared to 0, SCTSR is initialized. Note that clearing the TE and RE bits to 0 does not change the contents of SCFSR, SCFTDR, or SCFRDR.
2. The TE bit should be cleared to 0 after all transmit data has been sent and the TEND flag in SCFSR has been set. The TE bit can also be cleared to 0 during transmission, but the data being transmitted goes to the mark state after the clearance. Before setting TE again to start transmission, the TFRST bit in SCFCR should first be set to 1 to reset SCFTDR.
3. When an external clock is used, the clock should not be stopped during operation, including initialization, since operation will be unreliable in this case.

Figure 21.8 shows a sample SCIF initialization flowchart.

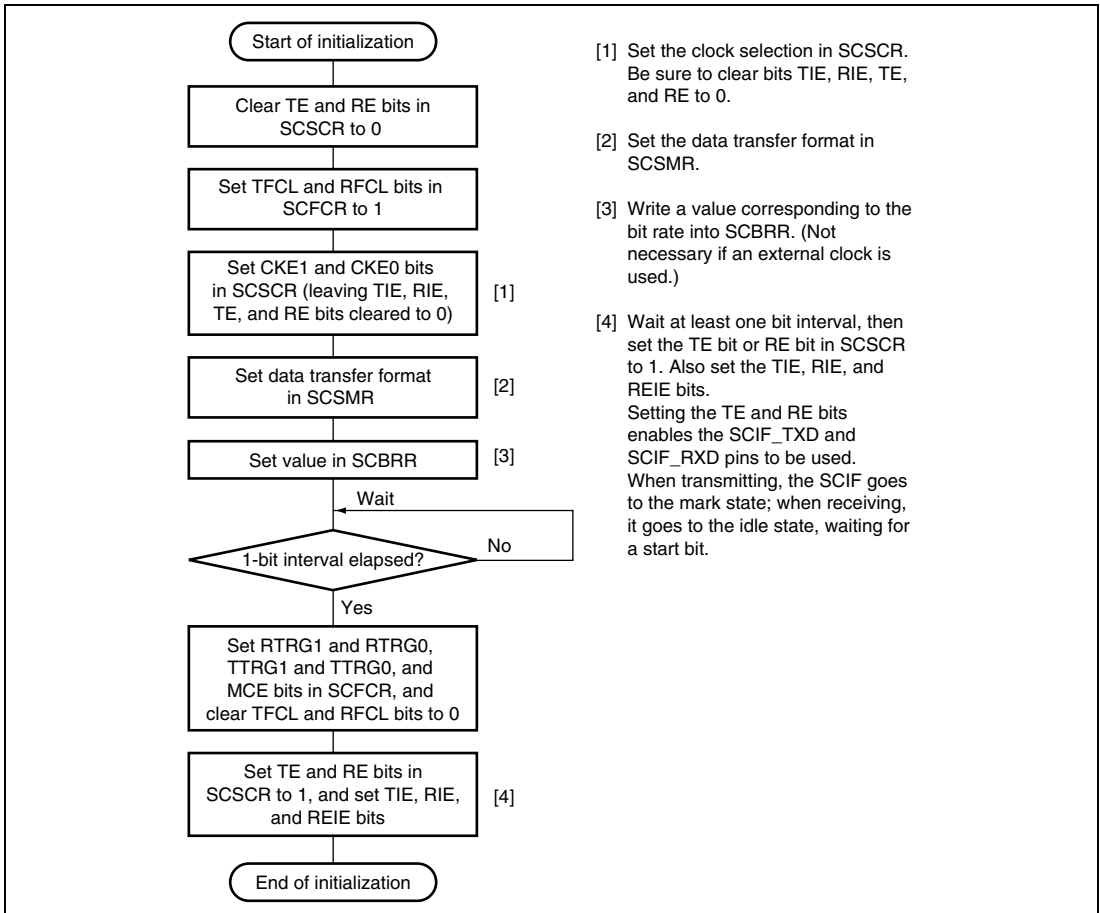


Figure 21.8 Sample SCIF Initialization Flowchart

(4) Serial Data Transmission (Asynchronous Mode)

Figure 21.9 shows a sample flowchart for serial transmission.

Use the following procedure for serial data transmission after enabling the SCIF for transmission.

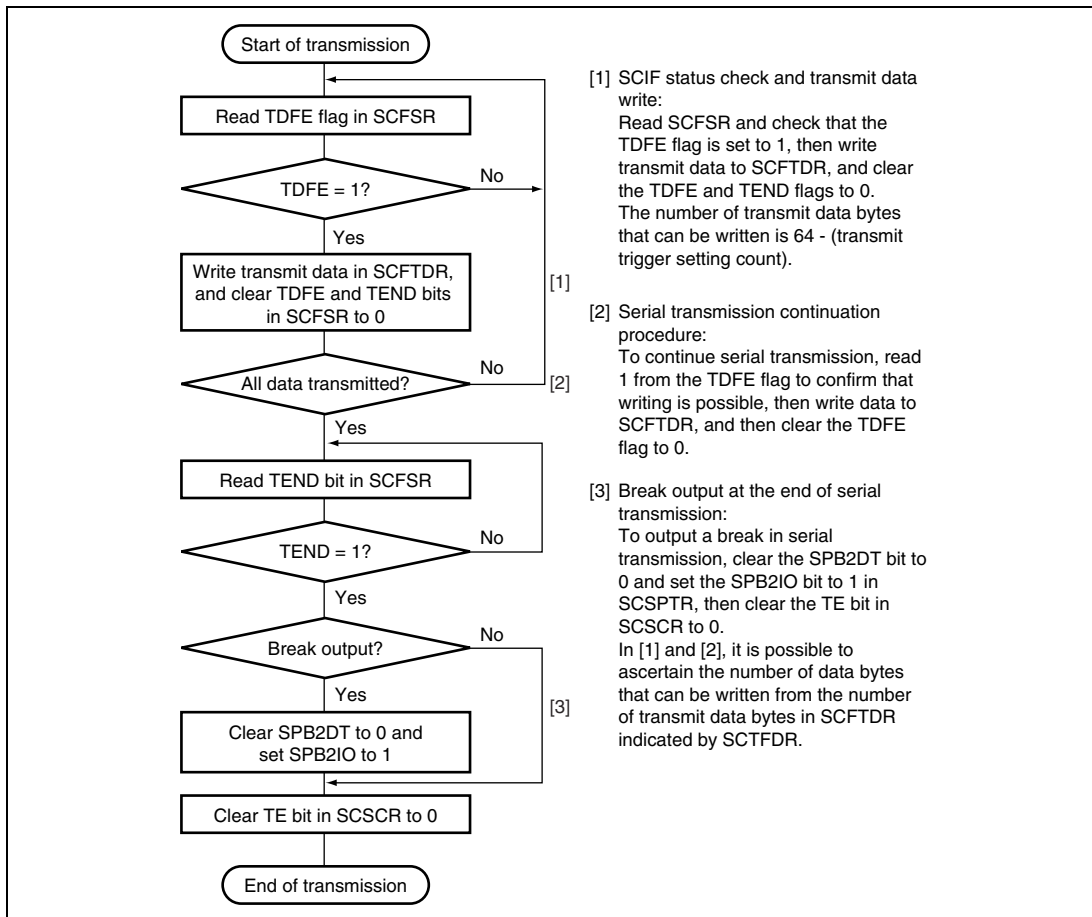


Figure 21.9 Sample Serial Transmission Flowchart

In serial transmission, the SCIF operates as follows.

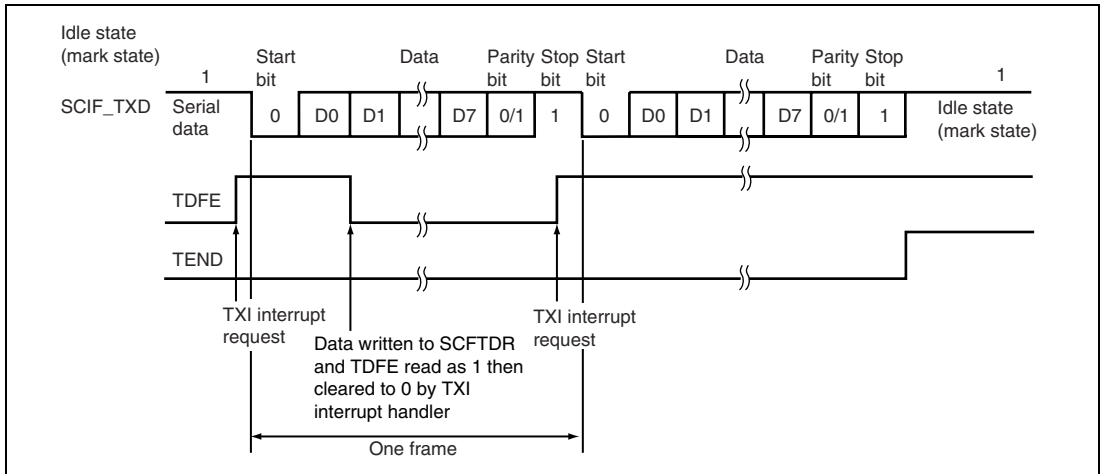
1. When data is written to SCFTDR, the SCIF transfers the data from SCFTDR to SCTSR and starts transmission. Confirm that the TDFE flag in SCFSR is set to 1 before writing transmit data to SCFTDR. The number of data bytes that can be written is at least 64 – (transmit trigger setting count).
2. When data is transferred from SCFTDR to SCTSR and transmission is started, consecutive transmit operations are performed until there is no transmit data left in SCFTDR. When the number of transmit data bytes in SCFTDR falls to or below the transmit trigger count set in SCFCR, the TDFE flag is set. If the TIE bit in SCSCR is set to 1 at this time, a transmit-FIFO-data-empty interrupt (TXI) request is generated.

The serial transmit data is sent from the SCIF_TXD pin in the following order.

- (a) Start bit: One 0-bit is output.
 - (b) Transmit data: 8-bit or 7-bit data is output in LSB-first order.
 - (c) Parity bit: One parity bit (even or odd parity) is output. A format in which a parity bit is not output can also be selected.
 - (d) Stop bit(s): One or two 1-bits (stop bits) are output.
 - (e) Mark state: 1 is output continuously until the start bit that starts the next transmission is sent.
3. The SCIF checks the SCFTDR transmit data at the timing for sending the stop bit. If data is present, the data is transferred from SCFTDR to SCTSR, the stop bit is sent, and then serial transmission of the next frame is started.

If there is no transmit data after the stop bit is sent, the TEND flag in SCFSR is set to 1, and then the SCIF goes to the mark state in which 1 is output from the SCIF_TXD pin.

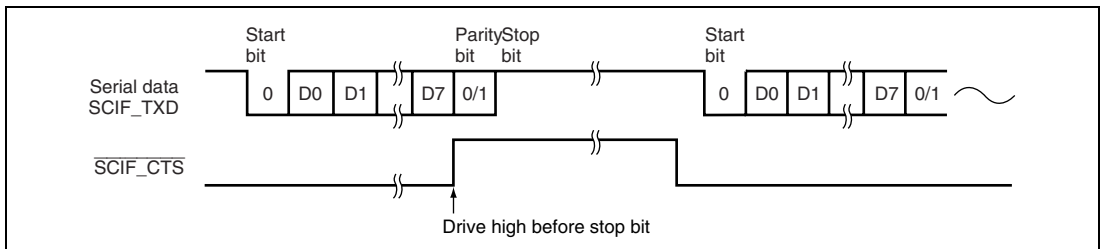
Figure 21.10 shows an example of the operation for transmission in asynchronous mode.



**Figure 21.10 Example of SCIF Transmission Operation
(Example with 8-Bit Data, Parity, One Stop Bit)**

- When modem control is enabled, transmission can be stopped and restarted in accordance with the SCIF_CTS input value. When SCIF_CTS is set to 1 during transmission, the SCIF goes to the mark state after transmission of one frame. When SCIF_CTS is set to 0, the next transmit data is output starting from the start bit.

Figure 21.11 shows an example of the operation when modem control is used.



**Figure 21.11 Example of Operation Using Modem Control (SCIF_CTS)
(Only in Channel 0)**

(5) Serial Data Reception (Asynchronous Mode)

Figure 21.12 shows a sample flowchart for serial reception.

Use the following procedure for serial data reception after enabling the SCIF for reception.

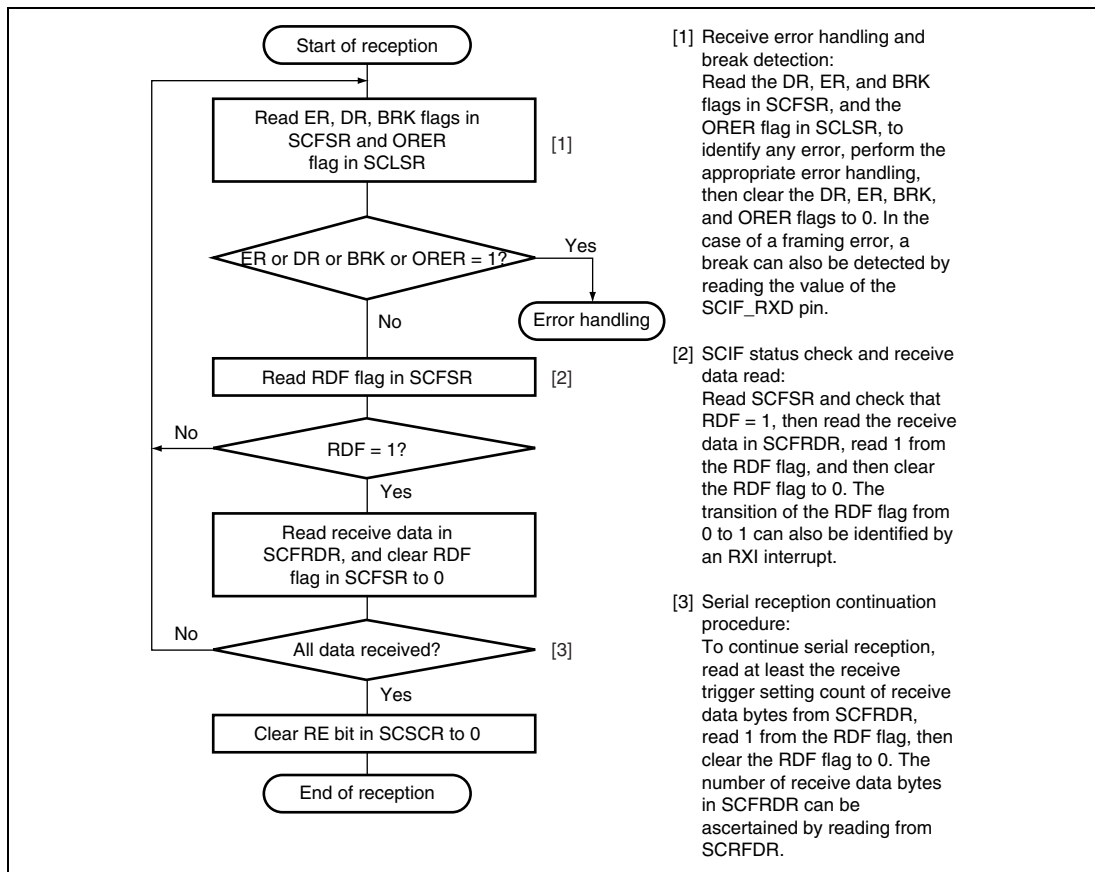


Figure 21.12 Sample Serial Reception Flowchart (1)

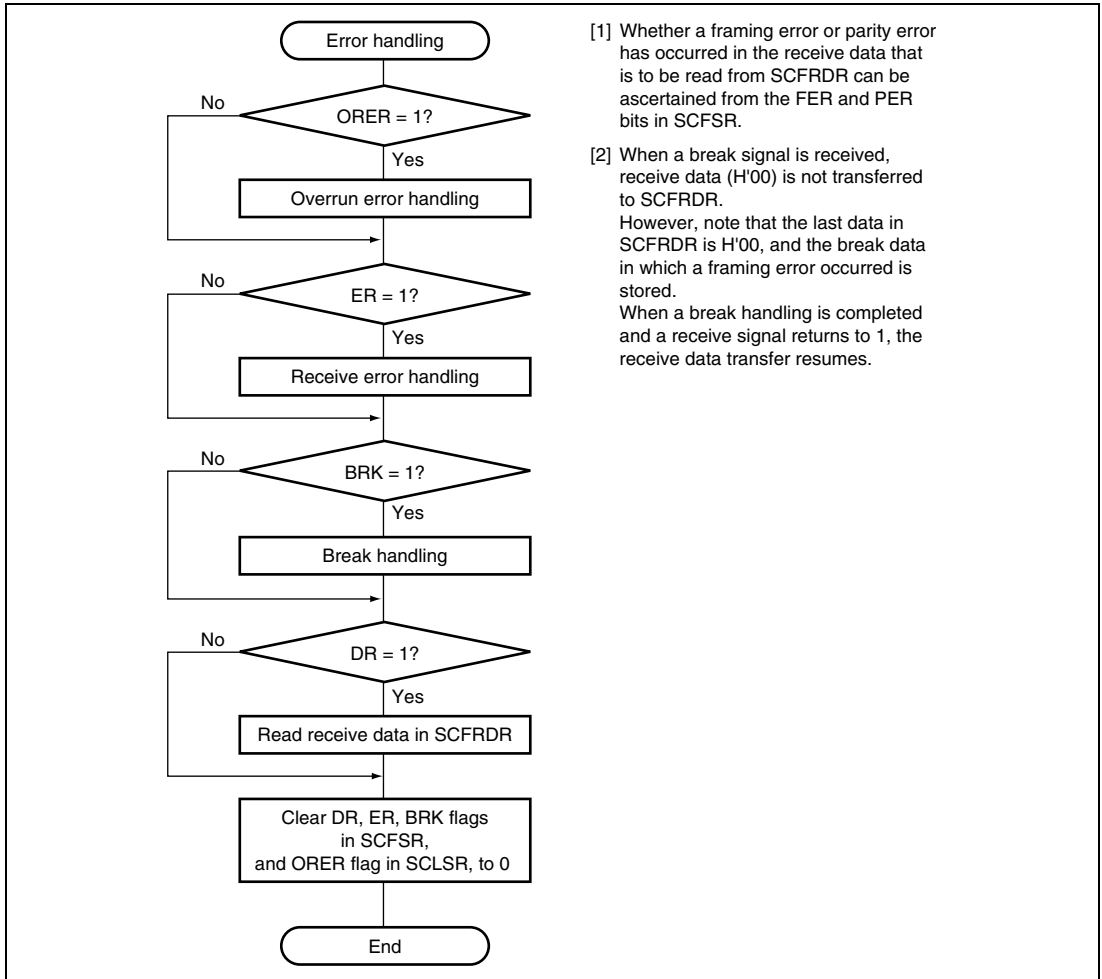


Figure 21.12 Sample Serial Reception Flowchart (2)

In serial reception, the SCIF operates as follows.

1. The SCIF monitors the transmission line, and if a 0-start bit is detected, performs internal synchronization and starts reception.
2. The received data is stored in SCRSR in LSB-to-MSB order.
3. The parity bit and stop bit are received.

After receiving these bits, the SCIF carries out the following checks.

- (a) Stop bit check: The SCIF checks whether the stop bit is 1. If there are two stop bits, only the first is checked.
- (b) The SCIF checks whether receive data can be transferred from SCRSR to SCFRDR.*
- (c) Overrun error check: The SCIF checks that the ORER flag is 0, indicating that no overrun error has occurred.*
- (d) Break check: The SCIF checks that the BRK flag is 0, indicating that the break state is not set.*

If (b), (c), and (d) checks are passed, the receive data is stored in SCFRDR.

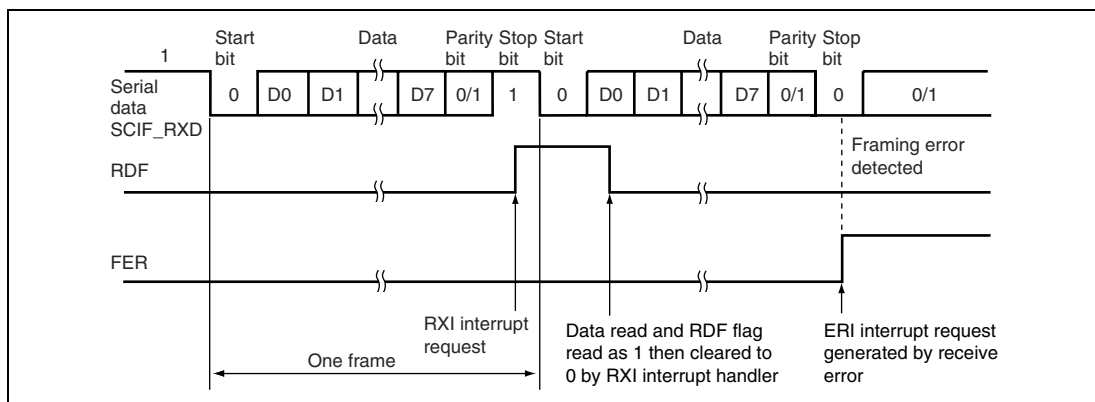
Note: * Reception continues even when a parity error or framing error occurs.

4. If the RIE bit in SCSCR is set to 1 when the RDF or DR flag changes to 1, a receive-FIFO-data-full interrupt (RXI) request is generated.

If the RIE bit or REIE bit in SCSCR is set to 1 when the ER flag changes to 1, a receive-error interrupt (ERI) request is generated.

If the RIE bit or REIE bit in SCSCR is set to 1 when the BRK or ORER flag changes to 1, a break reception interrupt (BRI) request is generated.

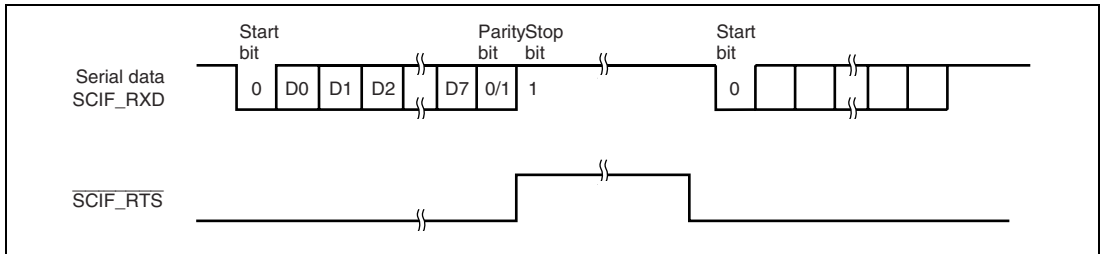
Figure 21.13 shows an example of the operation for reception in asynchronous mode.



**Figure 21.13 Example of SCIF Receive Operation
(Example with 8-Bit Data, Parity, One Stop Bit)**

5. When modem control is enabled, the $\overline{\text{SCIF_RTS}}$ signal is output when SCFRDR is empty. When $\overline{\text{SCIF_RTS}}$ is 0, reception is possible. When $\overline{\text{SCIF_RTS}}$ is 1, this indicates that SCFRDR contains bytes of data equal to or more than the $\overline{\text{SCIF_RTS}}$ output active trigger count. The $\overline{\text{SCIF_RTS}}$ output active trigger value is specified by bits 10 to 8 in SCFCR. For details, see section 21.3.9, FIFO Control Register n (SCFCR). In addition, $\overline{\text{SCIF_RTS}}$ is also 1 when the RE bit in SCSCR is cleared to 0.

Figure 21.14 shows an example of the operation when modem control is used.



**Figure 21.14 Example of Operation Using Modem Control ($\overline{\text{SCIF_RTS}}$)
(Only in Channels 1 and 2)**

21.4.3 Operation in Clocked Synchronous Mode

Clocked synchronous mode, in which data is transmitted or received in synchronization with clock pulses, is suitable for fast serial communication.

Since the transmitter and receiver are independent units in the SCIF, full-duplex communication can be performed by sharing the clock. Both the transmitter and receiver have a 64-stage FIFO buffer structure, so that data can be read or written during transmission or reception, enabling continuous data transmission or reception.

Figure 21.15 shows the general format for clocked synchronous communication.

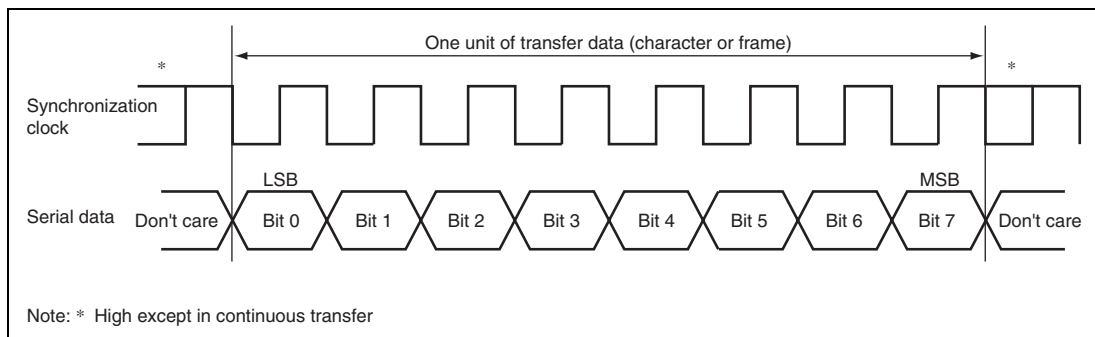


Figure 21.15 Data Format in Clocked Synchronous Communication

In clocked synchronous serial communication, data on the communication line is output from one fall of the synchronization clock to the next fall. Data is guaranteed to be accurate at the start of the synchronization clock.

In serial communication, each character is output starting with the LSB and ending with the MSB. After the MSB is output, the communication line remains in the state of the last data.

In clocked synchronous mode, the SCIF receives data in synchronization with the rise of the synchronization clock.

(1) Data Transfer Format

A fixed 8-bit data format is used. No parity bit can be added.

(2) Clock

Either an internal clock generated by the on-chip baud rate generator or an external synchronization clock input at the SCIF_SCK pin can be selected as the SCIF's serial clock, according to the settings of the C/\bar{A} bit in SCSMR and the CKE1 and CKE0 bits in SCSCR. For details on SCIF clock source selection, see table 21.5.

When the SCIF is operated on an internal clock, the synchronization clock is output from the SCIF_SCK pin. Eight synchronization clock pulses are output in the transfer of one character, and when no transfer is performed, the clock is fixed high. When an internal clock is selected in a receive operation only, as long as the RE bit in SCSCR is set to 1, clock pulses are output until the number of receive data bytes in the receive FIFO data register reaches the receive trigger count.

(3) SCIF Initialization (Clocked Synchronous Mode)

Before transmitting and receiving data, it is necessary to clear the TE and RE bits in SCSCR to 0, then initialize the SCIF as described below.

When changing the operating mode or transfer format, etc., the TE and RE bits must be cleared to 0 before making the change using the following procedure. When the TE bit is cleared to 0, SCTSR is initialized. Note that clearing the RE bit to 0 does not initialize the RDF, PER, FER, or ORER flag state or change the contents of SCFRDR.

Figure 21.16 shows a sample SCIF initialization flowchart.

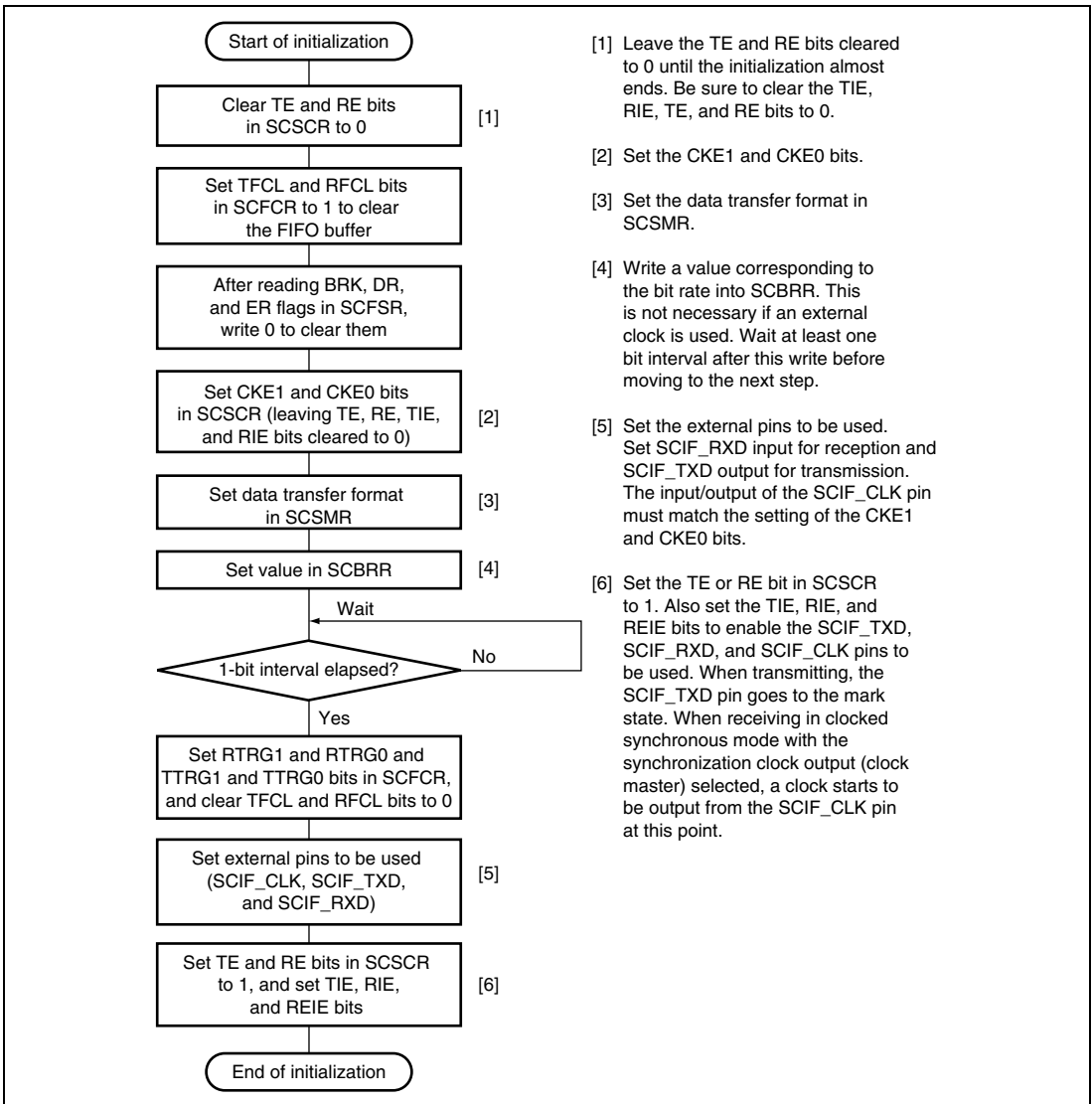


Figure 21.16 Sample SCIF Initialization Flowchart

(4) Serial Data Transmission (Clocked Synchronous Mode)

Figure 21.17 shows a sample flowchart for serial transmission.

Use the following procedure for serial data transmission after enabling the SCIF for transmission.

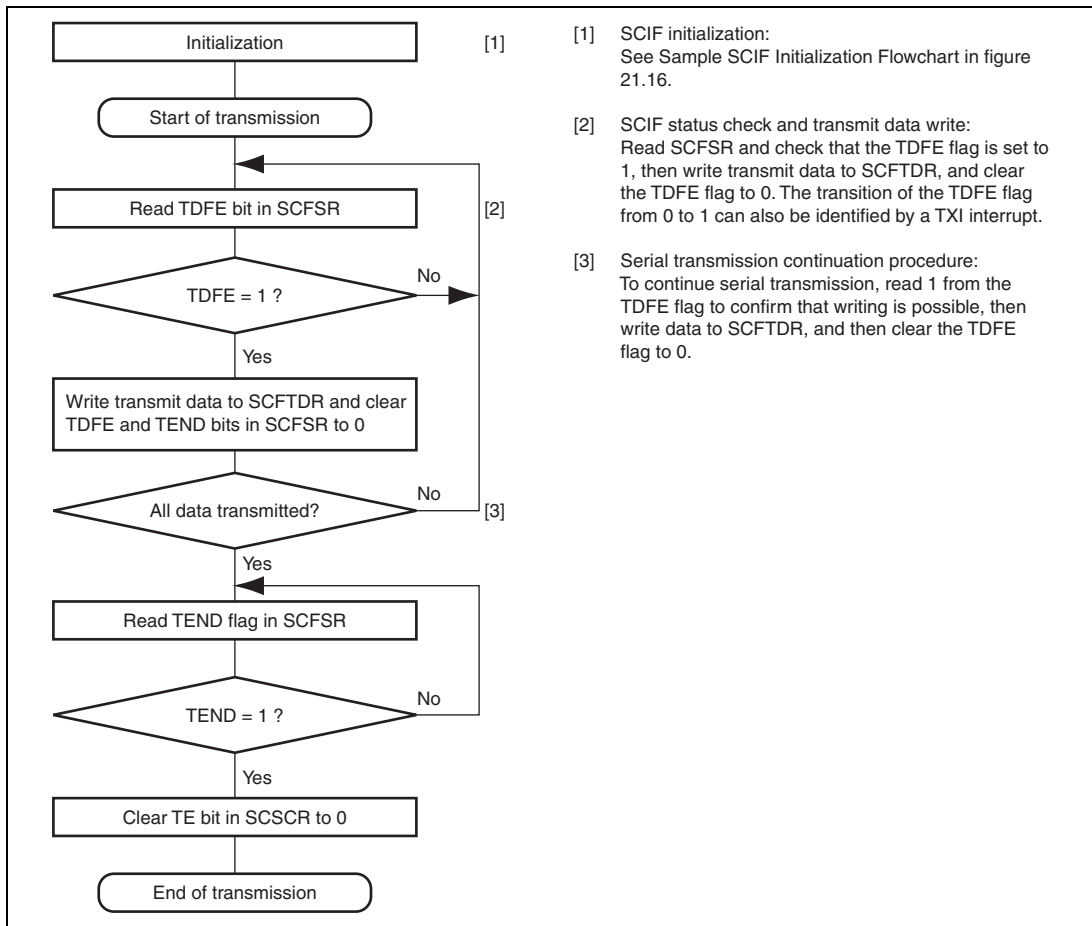


Figure 21.17 Sample Serial Transmission Flowchart

In serial transmission, the SCIF operates as follows.

1. When data is written into SCFTDR, the SCIF transfers the data from SCFTDR to SCTSR and starts transmitting. Confirm that the TDFE flag in SCFSR is set to 1 before writing transmit data to SCFTDR. The number of data bytes that can be written is at least 64 (transmit trigger setting count).
2. When data is transferred from SCFTDR to SCTSR and transmission is started, consecutive transmit operations are performed until there is no transmit data left in SCFTDR. When the number of transmit data bytes in SCFTDR falls to or below the transmit trigger count set in SCFCR, the TDFE flag is set. If the TIE bit in SCSCR is set to 1 at this time, a transmit-FIFO-data-empty interrupt (TXI) request is generated.

If clock output mode is selected, the SCIF outputs eight synchronization clock pulses for each data.

When the external clock is selected, data is output in synchronization with the input clock.

The serial transmit data is sent from the SCIF_TXD pin in LSB-first order.

3. The SCIF checks the SCFTDR transmit data at the timing for sending the last bit. If data is present, the data is transferred from SCFTDR to SCTSR, and then serial transmission of the next frame is started. If there is no transmit data, the TEND flag in SCFSR is set to 1 after the last bit is sent, and the transmit data pin (SCIF_TXD pin) retains the output state of the last bit.
4. After serial transmission ends, the SCIF_SCK pin is fixed high when the CKE1 bit in SCSCR is 0.

Figure 21.18 shows an example of the SCIF transmission operation.

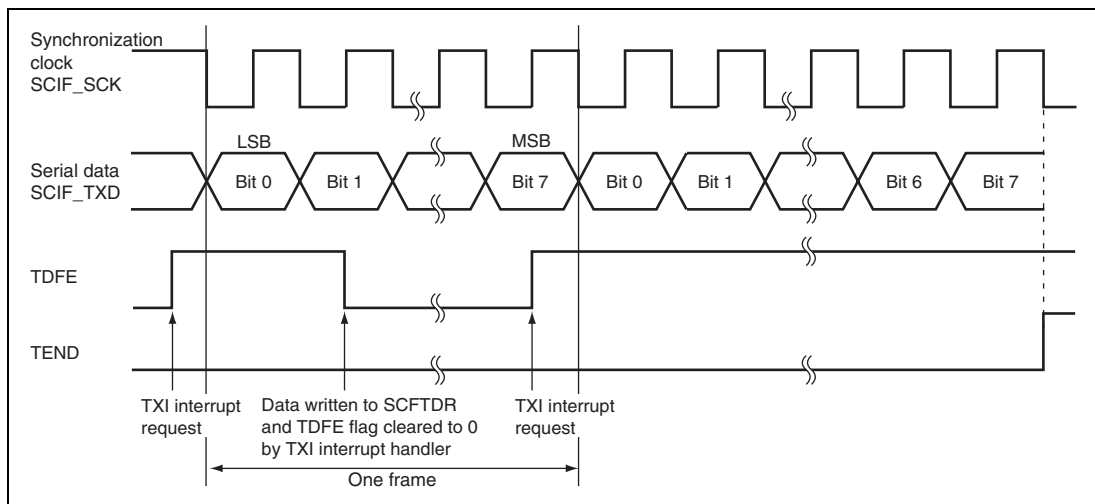


Figure 21.18 Example of SCIF Transmission Operation

(5) Serial Data Reception (Clocked Synchronous Mode)

Figure 21.19 shows a sample flowchart for serial reception.

Use the following procedure for serial data reception after enabling the SCIF for reception.

When switching the operating mode from asynchronous mode to clocked synchronous mode without initializing the SCIF, make sure that the ORER, PER7 to PER0, and FER7 to FER0 flags are cleared to 0.

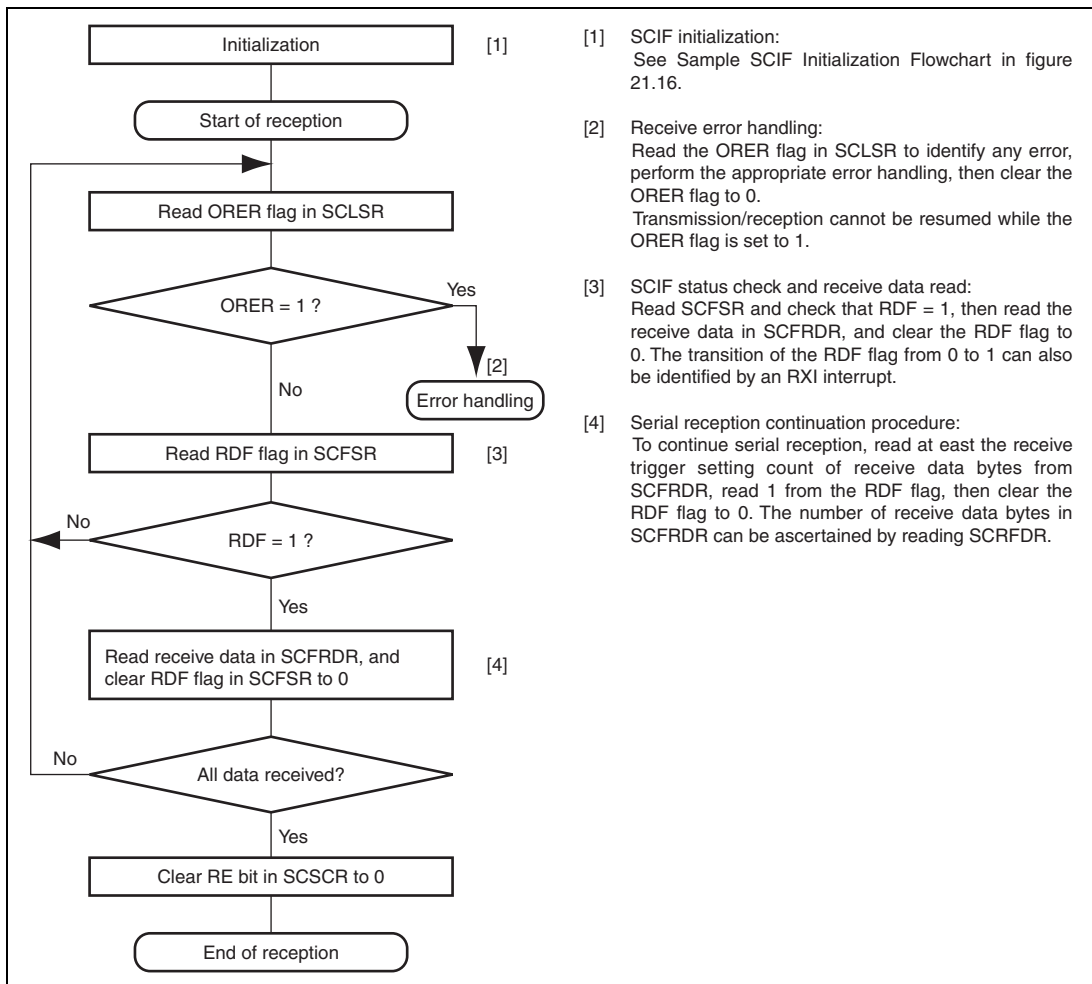


Figure 21.19 Sample Serial Reception Flowchart (1)

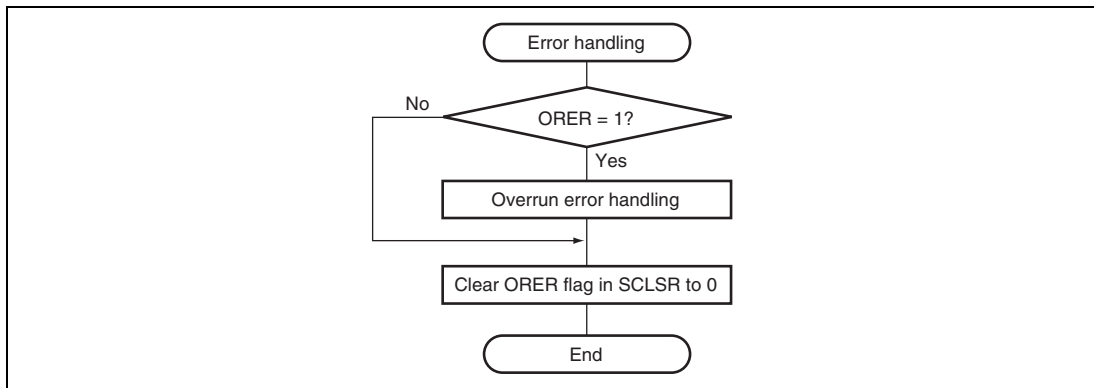


Figure 21.19 Sample Serial Reception Flowchart (2)

In serial reception, the SCIF operates as follows.

1. The SCIF is initialized internally in synchronization with the input or output of the synchronization clock.
2. The receive data is stored in SCRSR in LSB-to-MSB order.
After receiving the data, the SCIF checks whether the receive data can be transferred from SCRSR to SCFRDR. If this check is passed, the receive data is stored in SCFRDR. If an overrun error is detected in the error check, reception cannot continue.
3. If the RIE bit in SCSCR is set to 1 when the RDF flag changes to 1, a receive-FIFO-data-full interrupt (RXI) request is generated.
If the RIE bit in SCSCR is set to 1 when the ORER flag changes to 1, a break interrupt (BRI) request is generated.

Figure 21.20 shows an example of the SCIF reception operation.

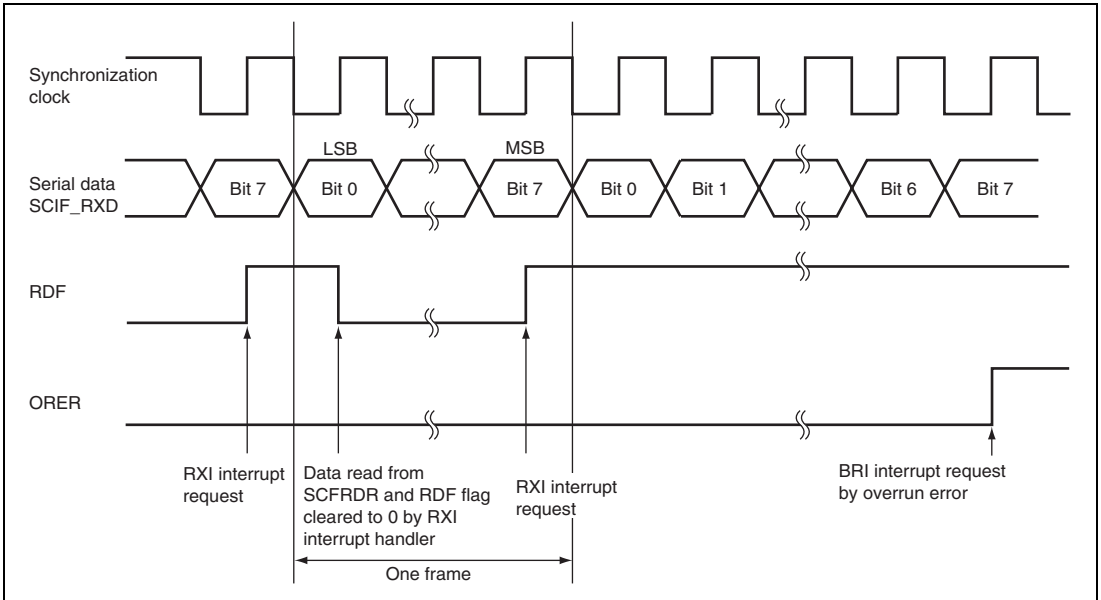


Figure 21.20 Example of SCIF Reception Operation

(6) Transmitting and Receiving Serial Data Simultaneously (Clocked Synchronous Mode)

Figure 21.21 shows a sample flowchart for transmitting and receiving data simultaneously.

Use the following procedure for the simultaneous serial transmission/reception of serial data, after enabling the SCIF transmission/reception.

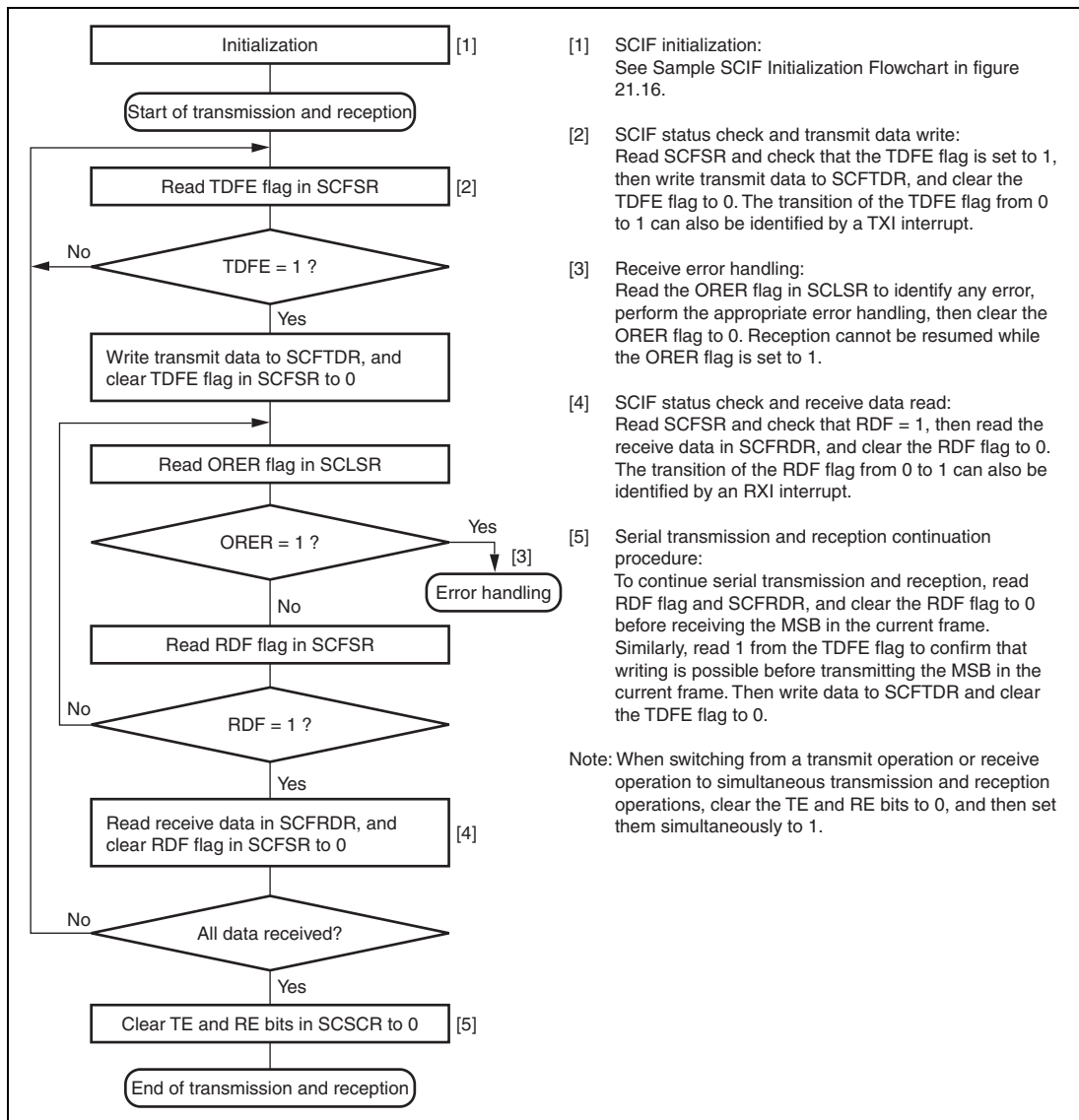


Figure 21.21 Sample Flowchart for Transmitting/Receiving Serial Data

21.5 SCIF Interrupt Sources and the DMAC

The SCIF has four interrupt sources for each channel: transmit-FIFO-data-empty interrupt (TXI) request, receive-error interrupt (ERI) request, receive-FIFO-data-full interrupt (RXI) request, and break interrupt (BRI) request.

Table 21.7 shows the interrupt sources and their order of priority. The interrupt sources are enabled or disabled by means of the TIE, RIE, and REIE bits in SCSCR. A separate interrupt request is sent to the interrupt controller for each of these interrupt sources.

If the TDFE flag in SCFSR is set to 1 when a TXI interrupt is enabled by the TIE bit, a TXI interrupt request and a transmit-FIFO-data-empty request for DMA transfer are generated. If the TDFE flag is set to 1 when a TXI interrupt is disabled by the TIE bit, only a transmit-FIFO-data-empty request for DMA transfer is generated. A transmit-FIFO-data-empty request can activate the DMAC to perform data transfer.


If the RDF or DR flag in SCFSR is set to 1 when an RXI interrupt is enabled by the RIE bit, an RXI interrupt request and a receive-FIFO-data-full request for DMA transfer are generated. If the RDF or DR flag is set to 1 when an RXI interrupt is disabled by the RIE bit, only a receive-FIFO-data-full request for DMA transfer is generated. A receive-FIFO-data-full request can activate the DMAC to perform data transfer. Note that generation of an RXI interrupt request or a receive-FIFO-data-full request by setting the DR flag to 1 occurs only in asynchronous mode.

When the BRK flag in SCFSR or the ORER flag in SCLSR is set to 1, a BRI interrupt request is generated.

If transmission/reception is carried out using the DMAC, set and enable the DMAC before making the SCIF setting. Also make settings to inhibit output of RXI and TXI interrupt requests to the interrupt controller. If output of interrupt requests is enabled, these interrupt requests to the interrupt controller can be cleared by the DMAC regardless of the interrupt handler.

By setting the REIE bit to 1 while the RIE bit is cleared to 0 in SCSCR, it is possible to output ERI interrupt requests, but not RXI interrupt requests.

Table 21.7 SCIF Interrupt Sources

Interrupt Source	Description	DMAC Activation	Priority on Reset Release
ERI	Interrupt initiated by receive error flag (ER)	Not possible	High
RXI	Interrupt initiated by receive FIFO data full flag (RDF) or receive data ready flag (DR)*	Possible	
BRI	Interrupt initiated by break flag (BRK) or overrun error flag (ORER)	Not possible	
TXI	Interrupt initiated by transmit FIFO data empty flag (TDFE)	Possible	

Note: * An RXI interrupt by setting of the DR flag is available only in asynchronous mode.

21.6 Usage Notes

Note the following when using the SCIF.

(1) SCFTDR Writing and the TDFE Flag

The TDFE flag in SCFSR is set when the number of transmit data bytes written in SCFTDR has fallen to or below the transmit trigger count set by bits TTRG1 and TTRG0 in SCFCR. After TDFE is set, transmit data up to the number of empty bytes in SCFTDR can be written, allowing efficient continuous transmission.

However, if the number of data bytes written in SCFTDR is equal to or less than the transmit trigger count, the TDFE flag will be set to 1 again, even after being read as 1 and cleared to 0. Therefore, the TDFE flag should be cleared when SCFTDR contains more than the transmit trigger count of transmit data bytes.

The number of transmit data bytes in SCFTDR can be found from SCTFDR.

(2) SCFRDR Reading and the RDF Flag

The RDF flag in SCFSR is set when the number of receive data bytes in SCFRDR has become equal to or greater than the receive trigger count set by bits RTRG1 and RTRG0 in SCFCR. After RDF is set, receive data equivalent to the trigger count can be read from SCFRDR, allowing efficient continuous reception.

However, if the number of data bytes read in SCFRDR is equal to or greater than the trigger count, the RDF flag will be set to 1 again even if it is cleared to 0. After the receive data is read, clear the RDF flag readout to 0 in order to reduce the number of data bytes in SCFRDR to less than the trigger count.

The number of receive data bytes in SCFRDR can be found from SCRFDR.

(3) Break Detection and Processing

If a framing error (FER) is detected, break signals can also be detected by reading the SCIF_RXD pin value directly. In the break state the input values from the SCIF_RXD consists of all 0s, so the FER flag is set and the parity error flag (PER) may also be set.

Although the SCIF stops transferring receive data to SCFRDR after receiving a break, the receive operation continues.

(4) Sending a Break Signal

The input/output condition and level of the SCIF_TXD pin are determined by bits SPB2IO and SPB2DT in SCSPTR. This feature can be used to send a break signal.

After the serial transmitter is initialized and until the TE bit is set to 1 (enabling transmission), the SCIF_TXD pin function is not selected and the value of the SPB2DT bit substitutes for the mark state. The SPB2IO and SPB2DT bits should therefore be set to 1 (designating output and high level) in the beginning.

To send a break signal during serial transmission, clear the SPB2DT bit to 0 (designating low level), and then clear the TE bit to 0 (halting transmission). When the TE bit is cleared to 0, the transmitter is initialized, regardless of the current transmission state, and 0 is output from the SCIF_TXD pin.

(5) Receive Data Sampling Timing and Receive Margin in Asynchronous Mode

In asynchronous mode, the SCIF operates on a base clock with frequency of 16 times the bit rate.

In reception, the SCIF synchronizes internally with the fall of the start bit, which it samples on the base clock. Receive data is latched at the rising edge of the eighth base clock pulse.

Figure 21.22 shows the timing.

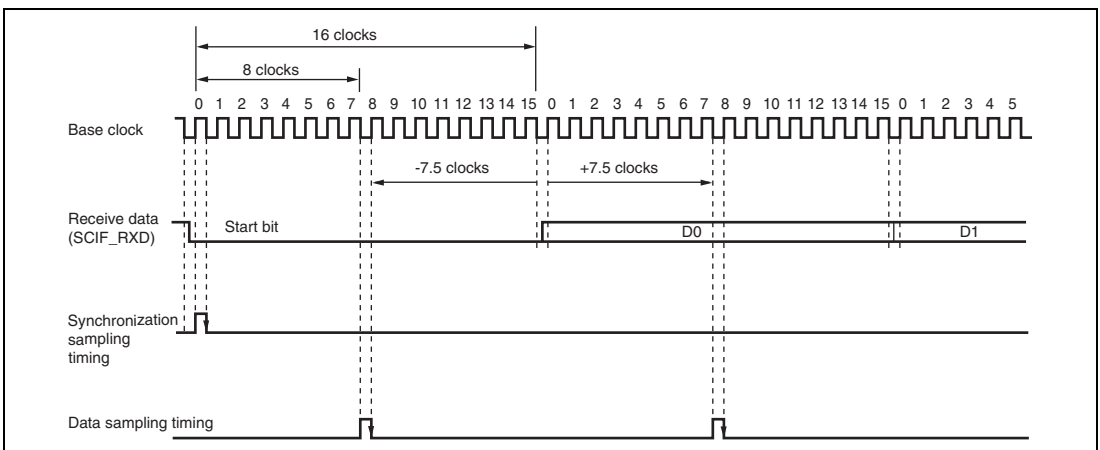


Figure 21.22 Receive Data Sampling Timing in Asynchronous Mode

Thus, the reception margin in asynchronous mode is given by formula (1).

$$M = \left| \left(0.5 - \frac{1}{2N} \right) - (L - 0.5) F - \frac{|D - 0.5|}{N} (1 + F) \right| \times 100 \% \dots\dots\dots (1)$$

M: Receive margin (%)

N: Ratio of bit rate to clock (N = 16)

D: Clock duty (D = 0 to 1.0)

L: Frame length (L = 9 to 12)

F: Absolute value of clock rate deviation

From equation (1), if F = 0 and D = 0.5, the reception margin is 46.875%, as given by formula (2).

When D = 0.5 and F = 0:

$$M = (0.5 - 1 / (2 \times 16)) \times 100\% = 46.875\% \dots\dots\dots (2)$$

However, this is a theoretical value. A reasonable margin to allow in system designs is 20% to 30%.

Section 22 Serial I/O with FIFO (SIOF)

This LSI is equipped with a clock-synchronized serial I/O module with FIFO (SIOF).

22.1 Features

- Serial transfer
 - 32-bit FIFO × 16-stage (the transmit FIFO and receive FIFO are independent units)
 - Supports input/output for 8-bit data, 16-bit data, and 16-bit stereo audio data
 - MSB first for data transmission and reception
 - Supports up to 48-kHz sampling rate
 - Synchronization by either frame synchronization pulse or left/right channel switch
 - Supports CODEC control data interface
 - Connectable to linear, audio, A-Law, or μ -Law CODEC chip
 - Supports both master and slave modes
- Serial clock
 - An external pin input or peripheral clock (Pck) can be selected as the clock source.
- Interrupts: One type
- DMA transfer
 - Supports DMA transfer by a transfer request from the transmit FIFO unit

Figure 22.1 shows a block diagram of the SIOF.

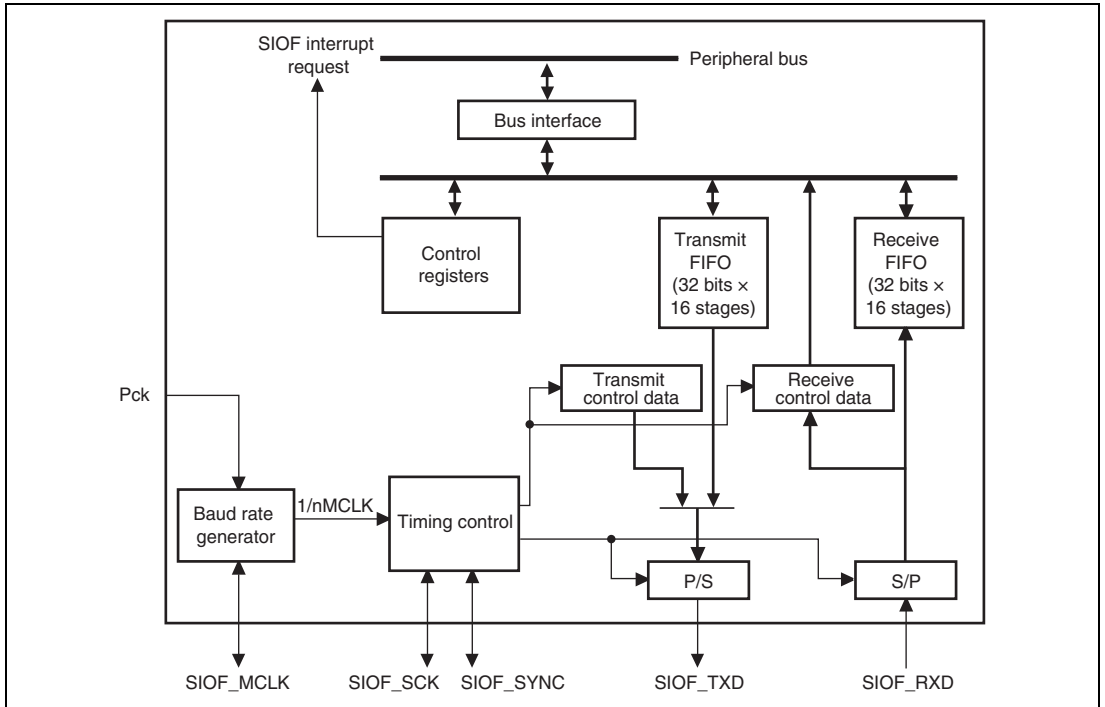


Figure 22.1 Block Diagram of SIOF

22.2 Input/Output Pins

Table 22.1 shows the pin configuration.

Table 22.1 Pin Configuration

Pin Name*	Function	I/O	Description
SIOF_MCLK	Master clock	Input	Master clock input pin
SIOF_SCK	Serial clock	I/O	Serial clock pin (common to transmission/reception)
SIOF_SYNC	Frame synchronous signal	I/O	Frame synchronous signal (common to transmission/reception)
SIOF_TXD	Transmit data	Output	Transmit data pin
SIOF_RXD	Receive data	Input	Receive data pin

Note: * A pin group to be used can be selected according to the setting of PFC.
For details, see Peripheral Module Select Register 1 and Peripheral Module Select Register 2, in section 28, General Purpose I/O Ports (GPIO).

22.3 Register Descriptions

Table 22.2 shows the register configuration of the SIOF. Table 22.3 shows the register states in each operating mode.

Table 22.2 Register Configuration

Name	Abbreviation	R/W	P4 Address	Area7 Address	Access Size	Sync Clock
Mode register	SIMDR	R/W	H'FFE2 0000	H'1FE2 0000	16	Pck
Clock select register	SISCR	R/W	H'FFE2 0002	H'1FE2 0002	16	Pck
Transmit data assign register	SITDAR	R/W	H'FFE2 0004	H'1FE2 0004	16	Pck
Receive data assign register	SIRDAR	R/W	H'FFE2 0006	H'1FE2 0006	16	Pck
Control data assign register	SICDAR	R/W	H'FFE2 0008	H'1FE2 0008	16	Pck
Control register	SICTR	R/W	H'FFE2 000C	H'1FE2 000C	16	Pck
FIFO control register	SIFCTR	R/W	H'FFE2 0010	H'1FE2 0010	16	Pck
Status register	SISTR	R/W	H'FFE2 0014	H'1FE2 0014	16	Pck
Interrupt enable register	SIIER	R/W	H'FFE2 0016	H'1FE2 0016	16	Pck
Transmit data register	SITDR	W	H'FFE2 0020	H'1FE2 0020	32	Pck
Receive data register	SIRDR	R	H'FFE2 0024	H'1FE2 0024	32	Pck
Transmit control data register	SITCR	R/W	H'FFE2 0028	H'1FE2 0028	32	Pck
Receive control data register	SIRCR	R/W	H'FFE2 002C	H'1FE2 002C	32	Pck

Table 22.3 Register States in Each Operating Mode

Name	Abbreviation	Power-On Reset	Manual Reset	Module Standby	Sleep
Mode register	SIMDR	H'8000	H'8000	Retained	Retained
Clock select register	SISCR	H'C000	H'C000	Retained	Retained
Transmit data assign register	SITDAR	H'0000	H'0000	Retained	Retained
Receive data assign register	SIRDAR	H'0000	H'0000	Retained	Retained
Control data assign register	SICDAR	H'0000	H'0000	Retained	Retained
Control register	SICTR	H'0000	H'0000	Retained	Retained
FIFO control register	SIFCTR	H'1000	H'1000	Retained	Retained
Status register	SISTR	H'0000	H'0000	Retained	Retained
Interrupt enable register	SIIER	H'0000	H'0000	Retained	Retained
Transmit data register	SITDR	H'xxxx xxxx	H'xxxx xxxx	Retained	Retained
Receive data register	SIRDAR	H'xxxx xxxx	H'xxxx xxxx	Retained	Retained
Transmit control data register	SITCR	H'0000 0000	H'0000 0000	Retained	Retained
Receive control data register	SIRCR	H'xxxx xxxx	H'xxxx xxxx	Retained	Retained

22.3.1 Mode Register (SIMDR)

SIMDR is a 16-bit readable/writable register that sets the SIOF operating mode.

Bit:	15	14	13	12	11	10	9	8	7	6	5	4	3	2	1	0
	TRMD[1:0]		SYN CAT	REDG	FL[3:0]			TXDIZ	RCIM	SYN CAC	SYN CDL	—	—	—	—	
Initial value:	1	0	0	0	0	0	0	0	0	0	0	0	0	0	0	0
R/W:	R/W	R/W	R/W	R/W	R/W	R/W	R/W	R/W	R/W	R/W	R/W	R/W	R	R	R	R

Bit	Bit Name	Initial Value	R/W	Description
15, 14	TRMD[1:0]	10	R/W	Transfer Mode 1, 0 These bits select transfer mode shown in table 22.4. 00: Slave mode 1 01: Slave mode 2 10: Master mode 1 11: Master mode 2
13	SYNCAT	0	R/W	SIOF_SYNC Pin Valid Timing Indicates the position of the SIOF_SYNC signal to be output as a synchronous pulse. 0: At the start bit data of frame 1: At the last bit data of slot
12	REDG	0	R/W	Receive Data Sampling Edge 0: The SIOF_RXD signal is sampled at the falling edge of SIOF_SCK 1: The SIOF_RXD signal is sampled at the rising edge of SIOF_SCK Note: The timing to transmit the SIOF_TXD signal is at the opposite edge of the timing that samples the SIOF_RXD. This bit is valid only in master mode.
11 to 8	FL[3:0]	0000	R/W	Frame Length 3 to 0 These bits specify the flame length of transfer data format. For the correspondence among setting values, data length, and frame length, see table 22.7.

Bit	Bit Name	Initial Value	R/W	Description
7	TXDIZ	0	R/W	SIOF_TXD Pin Output when Transmission is Invalid* 0: High output when invalid 1: High-impedance state when invalid Note: Transmission is invalid when transmission is disabled, or when a slot that is not assigned as transmit data or control data is being transmitted.
6	RCIM	0	R/W	Receive Control Data Interrupt Mode 0: Sets the RCRDY bit in SISTR when the contents of SIRCR change. 1: Sets the RCRDY bit in SISTR each time when SIRCR receives the control data.
5	SYNCAC	0	R/W	SIOF_SYNC Pin Polarity This bit is valid when the SIOF_SYNC signal is output as synchronous pulse. 0: Active-high 1: Active-low
4	SYNCDL	0	R/W	Data Pin Bit Delay for SIOF_SYNC Pin This bit is valid when the SIOF_SYNC signal is output as synchronous pulse. In slave mode, specify one-bit delay. 0: No bit delay 1: 1-bit delay
3 to 0	—	All 0	R	Reserved These bits are always read as 0. The write value should always be 0.

Table 22.4 shows the operation in each transfer mode.

Table 22.4 Operation in Each Transfer Mode

Transfer Mode	Master/Slave	SIOF_SYNC	Bit Delay	Control Data Method*
Slave mode 1	Slave	Synchronous pulse	SYNCDL bit	Slot position
Slave mode 2	Slave	Synchronous pulse		Secondary FS
Master mode 1	Master	Synchronous pulse		Slot position
Master mode 2	Master	L/R	No	Not supported

Note: * The control data method is valid when the FL bits are set to 1xxx. (x: don't care.)
For details, see section 22.4.5, Control Data Interface.

22.3.2 Control Register (SICTR)

SICTR is a 16-bit readable/writable register that sets the SIOF operating state.

Bit:	15	14	13	12	11	10	9	8	7	6	5	4	3	2	1	0
	SCKE	FSE	—	—	—	—	TXE	RXE	—	—	—	—	—	—	TXRST	RXRST
Initial value:	0	0	0	0	0	0	0	0	0	0	0	0	0	0	0	0
R/W:	R/W	R/W	R	R	R	R	R/W	R/W	R	R	R	R	R	R	R/W	R/W

Bit	Bit Name	Initial Value	R/W	Description
15	SCKE	0	R/W	<p>Serial Clock Output Enable</p> <p>This bit is valid in master mode.</p> <p>0: Disables the SIOF_SCK output (outputs low level)</p> <p>1: Enables the SIOF_SCK output</p> <p>If this bit is set to 1, the SIOF initializes the baud rate generator and initiates the operation. At the same time, the SIOF outputs the clock generated by the baud rate generator to the SIOF_SCK pin.</p>
14	FSE	0	R/W	<p>Frame Synchronous Signal Output Enable</p> <p>This bit is valid in master mode.</p> <p>0: Disables the SIOF_SYNC output (outputs low level)</p> <p>1: Enables the SIOF_SYNC output</p> <p>If this bit is set to 1, the SIOF initializes the frame counter and initiates the operation.</p>
13 to 10	—	All 0	R	<p>Reserved</p> <p>These bits are always read as 0. The write value should always be 0.</p>
9	TXE	0	R/W	<p>Transmit Enable</p> <p>0: Disables data transmission from the SIOF_TXD pin (Outputs according to the value set in the TXDIZ bit)</p> <p>1: Enables data transmission from the SIOF_TXD pin</p> <ul style="list-style-type: none"> This bit setting becomes valid at the start of the next frame (at the rising edge of the SIOF_SYNC signal). When the 1 setting for this bit becomes valid, the SIOF issues a transmit transfer request according to the setting of the TFWM bit in SIFCTR. When transmit data is stored in the transmit FIFO, transmission of data from the SIOF_TXD pin begins. This bit is initialized by a transmit reset.

Bit	Bit Name	Initial Value	R/W	Description
8	RXE	0	R/W	<p>Receive Enable</p> <p>0: Disables data reception from SIOF_RXD 1: Enables data reception from SIOF_RXD</p> <ul style="list-style-type: none"> This bit setting becomes valid at the start of the next frame (at the rising edge of the SIOF_SYNC signal). When the 1 setting for this bit becomes valid, the SIOF begins the reception of data from the SIOF_RXD pin. When receive data is stored in the receive FIFO, the SIOF issues a reception transfer request according to the setting of the RFWM bit in SIFCTR. This bit is initialized by a receive reset.
7 to 2	—	All 0	R	<p>Reserved</p> <p>These bits are always read as 0. The write value should always be 0.</p>
1	TXRST	0	R/W	<p>Transmit Reset</p> <p>0: Does not reset transmit operation 1: Resets transmit operation</p> <ul style="list-style-type: none"> This bit setting becomes valid immediately. For details on initialization, see section 22.4.7 (5), Transmit/Receive Reset. This bit is automatically cleared by SIOF after completes a reset, to be always read as 0.
0	RXRST	0	R/W	<p>Receive Reset</p> <p>0: Does not reset receive operation 1: Resets receive operation</p> <ul style="list-style-type: none"> This bit setting becomes valid immediately. For details on initialization, see section 22.4.7 (5), Transmit/Receive Reset. This bit is automatically cleared by SIOF after completes a reset, to be always read as 0.

22.3.3 Transmit Data Register (SITDR)

SITDR is a 32-bit write-only register that specifies SIOF transmit data.

Bit:	31	30	29	28	27	26	25	24	23	22	21	20	19	18	17	16
	SITDL[15:0]															
Initial value:	—	—	—	—	—	—	—	—	—	—	—	—	—	—	—	—
R/W:	W	W	W	W	W	W	W	W	W	W	W	W	W	W	W	W
Bit:	15	14	13	12	11	10	9	8	7	6	5	4	3	2	1	0
	SITDR[15:0]															
Initial value:	—	—	—	—	—	—	—	—	—	—	—	—	—	—	—	—
R/W:	W	W	W	W	W	W	W	W	W	W	W	W	W	W	W	W

Bit	Bit Name	Initial Value	R/W	Description
31 to 16	SITDL[15:0]	Undefined	W	<p>Left-Channel Transmit Data</p> <p>These bits specify data to be output from the SIOF_TXD pin as left-channel data. The position of the left-channel data in the transmit frame depends on the value set in the TDLA bit in SITDAR.</p> <ul style="list-style-type: none"> • These bits are valid when the TDLE bit in SITDAR is set to 1.
15 to 0	SITDR[15:0]	Undefined	W	<p>Right-Channel Transmit Data</p> <p>These bits specify data to be output from the SIOF_TXD pin as right-channel data. The position of the right-channel data in the transmit frame depends on the value set in the TDRA bit in SITDAR.</p> <ul style="list-style-type: none"> • These bits are valid when the TDRE bit in SITDAR is set to 1, and the TLREP bit in SITDAR is cleared to 0.

22.3.4 Receive Data Register (SIRDR)

SIRDR is a 32-bit read-only register that reads receive data of the SIOF. SIRDR stores data in the receive FIFO.

Bit:	31	30	29	28	27	26	25	24	23	22	21	20	19	18	17	16
	SIRDRL[15:0]															
Initial value:	—	—	—	—	—	—	—	—	—	—	—	—	—	—	—	—
R/W:	R	R	R	R	R	R	R	R	R	R	R	R	R	R	R	R
Bit:	15	14	13	12	11	10	9	8	7	6	5	4	3	2	1	0
	SIRDR[15:0]															
Initial value:	—	—	—	—	—	—	—	—	—	—	—	—	—	—	—	—
R/W:	R	R	R	R	R	R	R	R	R	R	R	R	R	R	R	R

Bit	Bit Name	Initial Value	R/W	Description
31 to 16	SIRDRL[15:0]	Undefined	R	<p>Left-Channel Receive Data</p> <p>These bits store data received from the SIOF_RXD pin as left-channel data. The position of the left-channel data in the receive frame depends on the value set in the RDLA bit in SIRDAR.</p> <ul style="list-style-type: none"> These bits are valid when the RDLE bit in SIRDAR is set to 1.
15 to 0	SIRDR[15:0]	Undefined	R	<p>Right-Channel Receive Data</p> <p>These bits store data received from the SIOF_RXD pin as right-channel data. The position of the right-channel data in the receive frame depends on the value set in the RDRA bit in SIRDAR.</p> <ul style="list-style-type: none"> These bits are valid when the RDRE bit in SIRDAR is set to 1.

22.3.5 Transmit Control Data Register (SITCR)

SITCR is a 32-bit readable/writable register that specifies transmit control data of the SIOF. The setting of SITCR is valid only when bits FL3 to FL0 in SIMDR are set to 1xxx (x: any value).

SITCR is initialized by the conditions shown in table 22.3, Register State in Each Operating Mode, or by a transmit reset by the TXRST bit in SICTR.

Bit:	31	30	29	28	27	26	25	24	23	22	21	20	19	18	17	16
	SITC0[15:0]															
Initial value:	—	—	—	—	—	—	—	—	—	—	—	—	—	—	—	—
R/W:	R/W	R/W	R/W	R/W	R/W	R/W	R/W	R/W	R/W	R/W	R/W	R/W	R/W	R/W	R/W	R/W
Bit:	15	14	13	12	11	10	9	8	7	6	5	4	3	2	1	0
	SITC1[15:0]															
Initial value:	—	—	—	—	—	—	—	—	—	—	—	—	—	—	—	—
R/W:	R/W	R/W	R/W	R/W	R/W	R/W	R/W	R/W	R/W	R/W	R/W	R/W	R/W	R/W	R/W	R/W

Bit	Bit Name	Initial Value	R/W	Description
31 to 16	SITC0[15:0]	H'0000	R/W	Control Channel 0 Transmit Data These bits specify data to be output from the SIOF_TXD pin as control channel 0 transmit data. The position of the control channel 0 data in the transmit or receive frame depends on the value set in the CD0A bit in SICDAR. <ul style="list-style-type: none"> These bits are valid when the CD0E bit in SICDAR is set to 1.
15 to 0	SITC1[15:0]	H'0000	R/W	Control Channel 1 Transmit Data These bits specify data to be output from the SIOF_TXD pin as control channel 1 transmit data. The position of the control channel 1 data in the transmit or receive frame depends on the CD1A bit in SICDAR. <ul style="list-style-type: none"> These bits are valid when the CD1E bit in SICDAR is set to 1.

22.3.6 Receive Control Data Register (SIRCR)

SIRCR is a 32-bit readable/writable register that stores receive control data of the SIOF. The setting of SIRCR is valid only when bits FL3 to FL0 in SIMDR are set to 1xxx (x: any value).

Bit:	31	30	29	28	27	26	25	24	23	22	21	20	19	18	17	16
	SIRC0[15:0]															
Initial value:	—	—	—	—	—	—	—	—	—	—	—	—	—	—	—	—
R/W:	R/W	R/W	R/W	R/W	R/W	R/W	R/W	R/W	R/W	R/W	R/W	R/W	R/W	R/W	R/W	R/W
Bit:	15	14	13	12	11	10	9	8	7	6	5	4	3	2	1	0
	SIRC1[15:0]															
Initial value:	—	—	—	—	—	—	—	—	—	—	—	—	—	—	—	—
R/W:	R/W	R/W	R/W	R/W	R/W	R/W	R/W	R/W	R/W	R/W	R/W	R/W	R/W	R/W	R/W	R/W

Bit	Bit Name	Initial Value	R/W	Description
31 to 16	SIRC0[15:0]	Undefined	R/W	<p>Control Channel 0 Receive Data</p> <p>These bits store data received from the SIOF_RXD pin as control channel 0 receive data. The position of the control channel 0 data in the transmit or receive frame depends on the value set the CD0A bit in SICDAR.</p> <ul style="list-style-type: none"> These bits are valid when the CD0E bit in SICDAR is set to 1.
15 to 0	SIRC1[15:0]	Undefined	R/W	<p>Control Channel 1 Receive Data</p> <p>These bits store data received from the SIOF_RXD pin as control channel 1 receive data. The position of the control 1 channel data in the transmit or receive frame depends on the value set in the CD1A bit in SICDAR.</p> <ul style="list-style-type: none"> These bits are valid when the CD1E bit in SICDAR is set to 1.

22.3.7 Status Register (SISTR)

SISTR is a 16-bit readable/writable register that indicates the SIOF state. Each bit in this register becomes an SIOF interrupt source when the corresponding bit in SIIER is set to 1.

Bit:	15	14	13	12	11	10	9	8	7	6	5	4	3	2	1	0
	—	TCRDY	TFEMP	TDREQ	—	RCRDY	RFFUL	RDREQ	—	—	SAERR	FSERR	TFOVF	TFUDF	RFUDF	RFOVF
Initial value:	0	0	0	0	0	0	0	0	0	0	0	0	0	0	0	0
R/W:	R	R	R	R	R	R	R	R	R	R	R/W	R/W	R/W	R/W	R/W	R/W

Bit	Bit Name	Initial Value	R/W	Description
15	—	0	R	Reserved This bit is always read as 0. The write value should always be 0.
14	TCRDY	0	R	Transmit Control Data Ready 0: Indicates that writing to SITCR is disabled 1: Indicates that writing to SITCR is enabled <ul style="list-style-type: none"> If SITCR is written to when this bit is cleared to 0, SITCR is overwritten to and the previous contents of SITCR are not output from the SIOF_TXD pin. This bit is valid when the TXE bit in SITCR is set to 1. This bit indicates the SIOF state. If SITCR is written to, this bit is automatically cleared to 0. To enable the issuance of this interrupt source, set the TCRDYE bit in SIIER to 1.
13	TFEMP	0	R	Transmit FIFO Empty 0: Indicates that transmit FIFO is not empty 1: Indicates that transmit FIFO is empty <ul style="list-style-type: none"> This bit is valid when the TXE bit in SICTR is 1. This bit indicates the SIOF state. If SITDR is written to, this bit is automatically cleared to 0. To enable the issuance of this interrupt source, set the TFEMPE bit in SIIER to 1.

Bit	Bit Name	Initial Value	R/W	Description
12	TDREQ	0	R	<p>Transmit Data Transfer Request</p> <p>0: Indicates that the size of empty space in the transmit FIFO does not exceed the size specified by the TFWM bit in SIFCTR.</p> <p>1: Indicates that the size of empty space in the transmit FIFO exceeds the size specified by the TFWM bit in SIFCTR.</p> <p>A transmit data transfer request is issued when the empty space in the transmit FIFO exceeds the size specified by the TFWM bit in SIFCTR.</p> <p>When using transmit data transfer through the DMAC, this bit is always cleared by one DMAC access. After DMAC access, when conditions for setting this bit are satisfied, the SIOF again indicates 1 for this bit.</p> <ul style="list-style-type: none"> • This bit is valid when the TXE bit in SICTR is 1. • This bit indicates a state; if the size of empty space in the transmit FIFO is less than the size specified by the TFWM bit in SIFCTR, this bit is automatically cleared to 0. • To enable the issuance of this interrupt source, set the TDREQE bit in SIIER to 1.
11	—	0	R	<p>Reserved</p> <p>This bit is always read as 0. The write value should always be 0.</p>
10	RCRDY	0	R	<p>Receive Control Data Ready</p> <p>0: Indicates that SIRCR stores no valid data</p> <p>1: Indicates that SIRCR stores valid data</p> <ul style="list-style-type: none"> • If SIRCR is written to when this bit is set to 1, SIRCR is overwritten to by the latest data. • This bit is valid when the RXE bit in SICTR is set to 1. • This bit indicates the state of the SIOF. If SIRCR is read from, this bit is automatically cleared to 0. • To enable the issuance of this interrupt source, set the RCRDYE bit in SIIER to 1.

Bit	Bit Name	Initial Value	R/W	Description
9	RFFUL	0	R	<p>Receive FIFO Full</p> <p>0: Receive FIFO not full</p> <p>1: Receive FIFO full</p> <ul style="list-style-type: none"> This bit is valid when the RXE bit in SICTR is 1. This bit indicates the state of the SIOF. If SIRDR is read from, this bit is automatically cleared to 0. To enable the issuance of this interrupt source, set the RFFULE bit in SIIER to 1.
8	RDREQ	0	R	<p>Receive Data Transfer Request</p> <p>0: Indicates that the size of valid space in the receive FIFO does not exceed the size specified by the RFWM bit in SIFCTR.</p> <p>1: Indicates that the size of valid space in the receive FIFO exceeds the size specified by the RFWM bit in SIFCTR.</p> <p>A receive data transfer request is issued when the valid space in the receive FIFO exceeds the value specified by the RFWM bit in SIFCTR.</p> <p>When using receive data transfer through the DMAC, this bit is always cleared by one DMAC access. After DMAC access, when conditions for setting this bit are satisfied, this bit is set to 1 again by the SIOF.</p> <ul style="list-style-type: none"> This bit is valid when the RXE bit in SICTR is 1. This bit indicates a state; if the size of valid data space in the receive FIFO is less than the size specified by the RFWM bit in SIFCTR, this bit is automatically cleared to 0. To enable the issuance of this interrupt source, set the RDREQE bit in SIIER to 1.
7, 6	—	All 0	R	<p>Reserved</p> <p>These bits are always read as 0. The write value should always be 0.</p>

Bit	Bit Name	Initial Value	R/W	Description
5	SAERR	0	R/W	<p>Slot Assign Error</p> <p>0: Indicates that no slot assign error occurs 1: Indicates that a slot assign error occurs</p> <p>A slot assign error occurs when the settings in SITDAR, SIRDAR, and SICDAR overlap.</p> <p>If a slot assign error occurs, the SIOF does not transmit data to the SIOF_TXD pin and does not receive data from the SIOF_RXD pin. Note that the SIOF does not clear the TXE bit or RXE bit in SICTR at a slot assign error.</p> <ul style="list-style-type: none"> • This bit is valid when the TXE bit or RXE bit in SICTR is 1. • When 1 is written to this bit, the contents are cleared. Writing 0 to this bit is invalid. • To enable the issuance of this interrupt source, set the SAERRE bit in SIIER to 1.
4	FSERR	0	R/W	<p>Frame Synchronization Error</p> <p>0: Indicates that no frame synchronization error occurs 1: Indicates that a frame synchronization error occurs</p> <p>A frame synchronization error occurs when the next frame synchronization timing appears before the previous data or control data transfers have been completed.</p> <p>If a frame synchronization error occurs, the SIOF performs transmission or reception for slots that can be transferred.</p> <ul style="list-style-type: none"> • This bit is valid when the TXE or RXE bit in SICTR is 1. • When 1 is written to this bit, the contents are cleared. Writing 0 to this bit is invalid. • To enable the issuance of this interrupt source, set the FSERRE bit in SIIER to 1.

Bit	Bit Name	Initial Value	R/W	Description
3	TFOVF	0	R/W	<p>Transmit FIFO Overflow</p> <p>0: Indicates that no transmit FIFO overflow occurs 1: Indicates that a transmit FIFO overflow occurs</p> <p>A transmit FIFO overflow means that there has been an attempt to write to SITDR when the transmit FIFO is full. When a transmit FIFO overflow occurs, the SIOF indicates overflow, and writing is invalid.</p> <ul style="list-style-type: none">• This bit is valid when the TXE bit in SICTR is 1.• When 1 is written to this bit, the contents are cleared. Writing 0 to this bit is invalid.• To enable the issuance of this interrupt source, set the TFOVFE bit in SIIER to 1.
2	TFUDF	0	R/W	<p>Transmit FIFO Underflow</p> <p>0: Indicates that no transmit FIFO underflow occurs 1: Indicates that a transmit FIFO underflow occurs</p> <p>A transmit FIFO underflow means that loading for transmission has occurred when the transmit FIFO is empty. When a transmit FIFO underflow occurs, the SIOF repeatedly sends the previous transmit data.</p> <ul style="list-style-type: none">• This bit is valid when the TXE bit in SICTR is 1.• When 1 is written to this bit, the contents are cleared. Writing 0 to this bit is invalid.• To enable the issuance of this interrupt source, set the TFUDFE bit to 1.

Bit	Bit Name	Initial Value	R/W	Description
1	RFUDF	0	R/W	<p>Receive FIFO Underflow</p> <p>0: Indicates that no receive FIFO underflow occurs 1: Indicates that a receive FIFO underflow occurs</p> <p>A receive FIFO underflow means that reading of SIRDR has occurred when the receive FIFO is empty.</p> <p>When a receive FIFO underflow occurs, the value of data read from SIRDR is not guaranteed.</p> <ul style="list-style-type: none"> • This bit is valid when the RXE bit in SICTR is 1. • When 1 is written to this bit, the contents are cleared. Writing 0 to this bit is invalid. • To enable the issuance of this interrupt source, set the RFUDFE bit in SIIER is set to 1.
0	RFOVF	0	R/W	<p>Receive FIFO Overflow</p> <p>0: Indicates that no receive FIFO overflow occurs 1: Indicates a receive FIFO overflow occurs</p> <p>A receive FIFO overflow means that writing has occurred when the receive FIFO is full.</p> <p>When a receive FIFO overflow occurs, the SIOF indicates overflow, and receive data is lost.</p> <ul style="list-style-type: none"> • This bit is valid when the RXE bit in SICTR is 1. • When 1 is written to this bit, the contents are cleared. Writing 0 to this bit is invalid. • To enable the issuance of this interrupt source, set the RFOVFE bit in SIIER is set to 1.

22.3.8 Interrupt Enable Register (SIIER)

SIIER is a 16-bit readable/writable register that enables the issuance of SIOF interrupts. When each bit in this register is set to 1 and the corresponding bit in SISTR is set to 1, the SIOF issues an interrupt.

Bit:	15	14	13	12	11	10	9	8	7	6	5	4	3	2	1	0
	TD MAE	TCR DYE	TFE MPE	TDR EQE	RD MAE	RC RDYE	RF FULE	RD REQE	—	—	SA ERRE	FS ERRE	TF OVFE	TF UDFE	RF UDFE	RF OVFE
Initial value:	0	0	0	0	0	0	0	0	0	0	0	0	0	0	0	0
R/W:	R/W	R/W	R/W	R/W	R/W	R/W	R/W	R/W	R/W	R/W	R/W	R/W	R/W	R/W	R/W	R/W

Bit	Bit Name	Initial Value	R/W	Description
15	TDMAE	0	R/W	Transmit Data DMA Transfer Request Enable Transmits an interrupt as a CPU interrupt or a DMA transfer request when the TDREQE bit is 1. 0: Used as a CPU interrupt 1: Used as a DMA transfer request to the DMAC
14	TCRDYE	0	R/W	Transmit Control Data Ready Enable 0: Disables interrupts due to transmit control data ready 1: Enables interrupts due to transmit control data ready
13	TFEMPE	0	R/W	Transmit FIFO Empty Enable 0: Disables interrupts due to transmit FIFO empty 1: Enables interrupts due to transmit FIFO empty
12	TDREQE	0	R/W	Transmit Data Transfer Request Enable 0: Disables interrupts due to transmit data transfer requests 1: Enables interrupts due to transmit data transfer requests
11	RDMAE	0	R/W	Receive Data DMA Transfer Request Enable Transmits an interrupt as a CPU interrupt or a DMA transfer request when the RDREQE bit is 1. 0: Used as a CPU interrupt 1: Used as a DMA transfer request to the DMAC

Bit	Bit Name	Initial Value	R/W	Description
10	RCRDYE	0	R/W	Receive Control Data Ready Enable 0: Disables interrupts due to receive control data ready 1: Enables interrupts due to receive control data ready
9	RFFULE	0	R/W	Receive FIFO Full Enable 0: Disables interrupts due to receive FIFO full 1: Enables interrupts due to receive FIFO full
8	RDREQE	0	R/W	Receive Data Transfer Request Enable 0: Disables interrupts due to receive data transfer requests 1: Enables interrupts due to receive data transfer requests
7, 6	—	All 0	R	Reserved These bits are always read as 0. The write value should always be 0.
5	SAERRE	0	R/W	Slot Assign Error Enable 0: Disables interrupts due to slot assign error 1: Enables interrupts due to slot assign error
4	FSERRE	0	R/W	Frame Synchronization Error Enable 0: Disables interrupts due to frame synchronization error 1: Enables interrupts due to frame synchronization error
3	TFOVFE	0	R/W	Transmit FIFO Overflow Enable 0: Disables interrupts due to transmit FIFO overflow 1: Enables interrupts due to transmit FIFO overflow
2	TFUDFE	0	R/W	Transmit FIFO Underflow Enable 0: Disables interrupts due to transmit FIFO underflow 1: Enables interrupts due to transmit FIFO underflow
1	RFUDFE	0	R/W	Receive FIFO Underflow Enable 0: Disables interrupts due to receive FIFO underflow 1: Enables interrupts due to receive FIFO underflow
0	RFOVFE	0	R/W	Receive FIFO Overflow Enable 0: Disables interrupts due to receive FIFO overflow 1: Enables interrupts due to receive FIFO overflow

22.3.9 FIFO Control Register (SIFCTR)

SIFCTR is a 16-bit readable/writable register that indicates the area available for the transmit/receive FIFO transfer.

Bit:	15	14	13	12	11	10	9	8	7	6	5	4	3	2	1	0
	TFWM[2:0]			TFUA[4:0]				RFWM[2:0]			RFUA[4:0]					
Initial value:	0	0	0	1	0	0	0	0	0	0	0	0	0	0	0	0
R/W:	R/W	R/W	R/W	R	R	R	R	R	R/W	R/W	R/W	R	R	R	R	R

Bit	Bit Name	Initial Value	R/W	Description
15 to 13	TFWM[2:0]	000	R/W	<p>Transmit FIFO Watermark</p> <p>000: Issue a transfer request when 16 stages of the transmit FIFO are empty.</p> <p>001: Setting prohibited</p> <p>010: Setting prohibited</p> <p>011: Setting prohibited</p> <p>100: Issue a transfer request when 12 or more stages of the transmit FIFO are empty.</p> <p>101: Issue a transfer request when 8 or more stages of the transmit FIFO are empty.</p> <p>110: Issue a transfer request when 4 or more stages of the transmit FIFO are empty.</p> <p>111: Issue a transfer request when 1 or more stages of transmit FIFO are empty. Setting prohibited when using the DMA transfer.</p> <ul style="list-style-type: none"> • A transfer request to the transmit FIFO is issued by the TDREQE bit in SISTR. • The transmit FIFO is always used as 16 stages of the FIFO regardless of these bit settings.
12 to 8	TFUA[4:0]	10000	R	<p>Transmit FIFO Usable Area</p> <p>These bits indicate the number of words that can be transferred by the CPU or DMAC as B'00000 (full) to B'10000 (empty).</p>

Bit	Bit Name	Initial Value	R/W	Description
7 to 5	RFWM[2:0]	000	R/W	<p>Receive FIFO Watermark</p> <p>000: Issue a transfer request when 1 stage or more of the receive FIFO are valid.</p> <p>001: Setting prohibited</p> <p>010: Setting prohibited</p> <p>011: Setting prohibited</p> <p>100: Issue a transfer request when 4 or more stages of the receive FIFO are valid.</p> <p>101: Issue a transfer request when 8 or more stages of the receive FIFO are valid.</p> <p>110: Issue a transfer request when 12 or more stages of the receive FIFO are valid.</p> <p>111: Issue a transfer request when 16 stages of the receive FIFO are valid.</p> <ul style="list-style-type: none"> • A transfer request to the receive FIFO is issued by the RDREQE bit in SISTR. • The receive FIFO is always used as 16 stages of the FIFO regardless of these bit settings.
4 to 0	RFUA[4:0]	00000	R	<p>Receive FIFO Usable Area</p> <p>These bits indicate the number of words that can be transferred by the CPU or DMAC as B'00000 (empty) to B'10000 (full).</p>

22.3.10 Clock Select Register (SISCR)

SISCR is a 16-bit readable/writable register that sets the serial clock generation conditions for the master clock. SCSCR can be specified when the TRMD1 and TRMD0 bits in SIMDR are set to B'10 or B'11.

Bit:	15	14	13	12	11	10	9	8	7	6	5	4	3	2	1	0
	MSEL	MSIMM	—	BRPS[4:0]				—	—	—	—	—	BRDV[2:0]			
Initial value:	1	1	0	0	0	0	0	0	0	0	0	0	0	0	0	0
R/W:	R/W	R/W	R	R/W	R/W	R/W	R/W	R/W	R	R	R	R	R	R/W	R/W	R/W

Bit	Bit Name	Initial Value	R/W	Description
15	MSEL	1	R/W	Master Clock Source Selection The master clock is the clock source input to the baud rate generator. 0: Uses the input signal of the SIOF_MCLK pin as the master clock 1: Uses a peripheral clock (Pck) as the master clock
14	MSIMM	1	R/W	Master Clock Direct Selection 0: Uses the output clock of the baud rate generator as the serial clock 1: Uses the master clock itself as the serial clock
13	—	0	R	Reserved This bit is always read as 0. The write value should always be 0.
12 to 8	BRPS[4:0]	00000	R/W	Prescaler Setting These bits set the master clock division ratio according to the count value of the prescaler of the baud rate generator. The range of settings is from B'00000 ($\times 1/1$) to B'11111 ($\times 1/32$).
7 to 3	—	All 0	R	Reserved These bits are always read as 0. The write value should always be 0.

Bit	Bit Name	Initial Value	R/W	Description
2 to 0	BRDV[2:0]	000	R/W	<p>Baud Rate Generator's Division Ratio Setting</p> <p>These bits set the frequency division ratio for the output stage of the baud rate generator.</p> <p>000: Prescaler output $\times 1/2$ 001: Prescaler output $\times 1/4$ 010: Prescaler output $\times 1/8$ 011: Prescaler output $\times 1/16$ 100: Prescaler output $\times 1/32$ 101: Setting prohibited 110: Setting prohibited 111: Prescaler output $\times 1/1^*$</p> <p>Note: This setting is valid only when the bits BRPS4 to BRPS0 are set to B'00001.</p>

22.3.11 Transmit Data Assign Register (SITDAR)

SITDAR is a 16-bit readable/writable register that specifies the position of the transmit data in a frame.

Bit:	15	14	13	12	11	10	9	8	7	6	5	4	3	2	1	0
	TDLE	—	—	—	TDLA[3:0]			TDRE	TLREP	—	—	TDRA[3:0]				
Initial value:	0	0	0	0	0	0	0	0	0	0	0	0	0	0	0	0
R/W:	R/W	R	R	R	R/W	R/W	R/W	R/W	R/W	R/W	R	R	R/W	R/W	R/W	R/W

Bit	Bit Name	Initial Value	R/W	Description
15	TDLE	0	R/W	<p>Transmit Left-Channel Data Enable</p> <p>0: Disables left-channel data transmission 1: Enables left-channel data transmission</p>
14 to 12	—	All 0	R	<p>Reserved</p> <p>These bits are always read as 0. The write value should always be 0.</p>

Bit	Bit Name	Initial Value	R/W	Description
11 to 8	TDLA[3:0]	0000	R/W	<p>Transmit Left-Channel Data Assigns 3 to 0</p> <p>These bits specify the position of left-channel data in a transmit frame as B'0000 (0) to B'1110 (14).</p> <p>1111: Setting prohibited</p> <ul style="list-style-type: none"> Transmit data for the left channel is specified in the SITDL bit in SITDR.
7	TDRE	0	R/W	<p>Transmit Right-Channel Data Enable</p> <p>0: Disables right-channel data transmission</p> <p>1: Enables right-channel data transmission</p>
6	TLREP	0	R/W	<p>Transmit Left-Channel Repeat</p> <p>0: Transmits data specified in the SITDR bit in SITDR as right-channel data</p> <p>1: Repeatedly transmits data specified in the SITDL bit in SITDR as right-channel data</p> <ul style="list-style-type: none"> This bit setting is valid when the TDRE bit is set to 1. When this bit is set to 1, the SITDR settings are ignored.
5, 4	—	All 0	R	<p>Reserved</p> <p>These bits are always read as 0. The write value should always be 0.</p>
3 to 0	TDRA[3:0]	0000	R/W	<p>Transmit Right-Channel Data Assigns 3 to 0</p> <p>These bits specify the position of right-channel data in a transmit frame as B'0000 (0) to B'1110 (14).</p> <p>1111: Setting prohibited</p> <ul style="list-style-type: none"> Transmit data for the right channel is specified in the SITDR bit in SITDR.

22.3.12 Receive Data Assign Register (SIRDAR)

SIRDAR is a 16-bit readable/writable register that specifies the position of the receive data in a frame.

Bit:	15	14	13	12	11	10	9	8	7	6	5	4	3	2	1	0
	RDLE	—	—	—	RDLA[3:0]			RDRE	—	—	—	RDRA[3:0]				
Initial value:	0	0	0	0	0	0	0	0	0	0	0	0	0	0	0	0
R/W:	R/W	R	R	R	R/W	R/W	R/W	R/W	R/W	R	R	R	R/W	R/W	R/W	R/W

Bit	Bit Name	Initial Value	R/W	Description
15	RDLE	0	R/W	Receive Left-Channel Data Enable 0: Disables left-channel data reception 1: Enables left-channel data reception
14 to 12	—	All 0	R	Reserved These bits are always read as 0. The write value should always be 0.
11 to 8	RDLA[3:0]	0000	R/W	Receive Left-Channel Data Assigns 3 to 0 These bits specify the position of left-channel data in a receive frame as B'0000 (0) to B'1110 (14). 1111: Setting prohibited <ul style="list-style-type: none"> Receive data for the left channel is stored in the SIRDRL bit in SIRDAR.
7	RDRE	0	R/W	Receive Right-Channel Data Enable 0: Disables right-channel data reception 1: Enables right-channel data reception
6 to 4	—	All 0	R	Reserved These bits are always read as 0. The write value should always be 0.
3 to 0	RDRA[3:0]	0000	R/W	Receive Right-Channel Data Assigns 3 to 0 These bits specify the position of right-channel data in a receive frame as B'0000 (0) to B'1110 (14). 1111: Setting prohibited <ul style="list-style-type: none"> Receive data for the right channel is stored in the SIRDRL bit in SIRDAR.

22.3.13 Control Data Assign Register (SICDAR)

SICDAR is a 16-bit readable/writable register that specifies the position of the control data in a frame. SICDAR can be specified only when the FL bits in SIMDR are set to 1xxx (x: don't care.).

Bit:	15	14	13	12	11	10	9	8	7	6	5	4	3	2	1	0
	CD0E	—	—	—	CD0A[3:0]				CD1E	—	—	—	CD1A[3:0]			
Initial value:	0	0	0	0	0	0	0	0	0	0	0	0	0	0	0	0
R/W:	R/W	R	R	R	R/W	R/W	R/W	R/W	R/W	R	R	R	R/W	R/W	R/W	R/W

Bit	Bit Name	Initial Value	R/W	Description
15	CD0E	0	R/W	Control Channel 0 Data Enable 0: Disables transmission and reception of control channel 0 data 1: Enables transmission and reception of control channel 0 data
14 to 12	—	All 0	R	Reserved These bits are always read as 0. The write value should always be 0.
11 to 8	CD0A[3:0]	0000	R/W	Control Channel 0 Data Assigns 3 to 0 These bits specify the position of control channel 0 data in a receive or transmit frame as B'0000 (0) to B'1110 (14). 1111: Setting prohibited <ul style="list-style-type: none"> • Transmit data for the control channel 0 data is specified in the SITD0 bit in SITCR. • Receive data for the control channel 0 data is stored in the SIRD0 bit in SIRCR.
7	CD1E	0	R/W	Control Channel 1 Data Enable 0: Disables transmission and reception of control channel 1 data 1: Enables transmission and reception of control channel 1 data
6 to 4	—	All 0	R	Reserved These bits are always read as 0. The write value should always be 0.

Bit	Bit Name	Initial Value	R/W	Description
3 to 0	CD1A[3:0]	0000	R/W	<p>Control Channel 1 Data Assigns 3 to 0</p> <p>These bits specify the position of control channel 1 data in a receive or transmit frame as B'0000 (0) to B'1110 (14).</p> <p>1111: Setting prohibited</p> <ul style="list-style-type: none">• Transmit data for the control channel 1 data is specified in the SITD1 bit in SITCR.• Receive data for the control channel 1 data is stored in the SIRD1 bit in SIRCR.

22.4 Operation

22.4.1 Serial Clocks

(1) Master/Slave Modes

The following two modes are available as the SIOF clock mode.

- Slave mode: SIOF_SCK, SIOF_SYNC input
- Master mode: SIOF_SCK, SIOF_SYNC output

(2) Baud Rate Generator

In SIOF master mode, the baud rate generator (BRG) is used to generate the serial clock. The baud rate generator consists of the prescaler that can select 32 types of division ratio from 1 to 1/32 with the BRPS4 to BRSP0 bits in SISCR and divider that can select the division ratio from 1, 1/2, 1/4, 1/8, 1/16, and 1/32. The division ratio of the baud rate generator ranges from 1 to 1/1024 of the product of the division ratios of the prescaler and the divider.

When the master clock is not divided by the baud rate generator (the division ratio is 1), set the MSIMM bit in SISCR to 1 and use the master clock without division as a serial clock.

Figure 22.2 shows connections for supply of the serial clock.

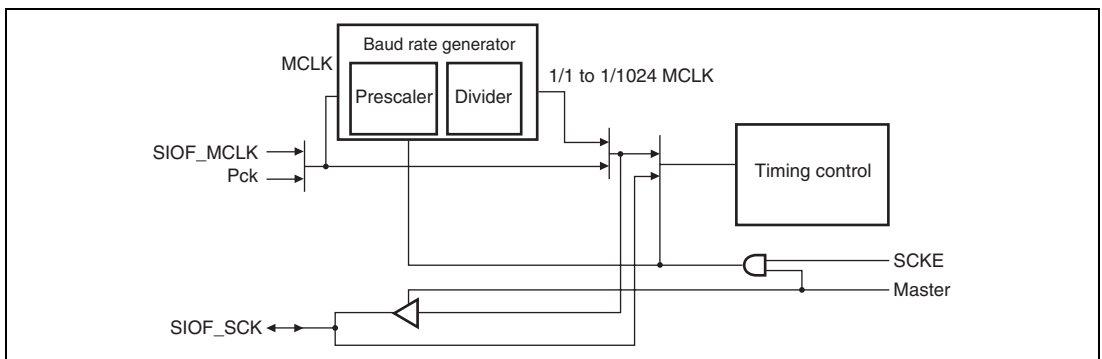


Figure 22.2 Serial Clock Supply

Table 22.5 shows an example of serial clock frequency.

Table 22.5 SIOF Serial Clock Frequency

Frame Length	Sampling Rate*		
	8 kHz	44.1 kHz	48 kHz
32 bits	256 kHz	1.4112 MHz	1.536 MHz
64 bits	512 kHz	2.8224 MHz	3.072 MHz
128 bits	1.024 MHz	5.6448 MHz	6.144 MHz
256 bits	2.048 MHz	11.289 MHz	12.289 MHz

Note: * Control data formats are valid when the FL bits are set to 1xxx (x: Don't care).

22.4.2 Serial Timing

(1) SIOF_SYNC

The SIOF_SYNC is a frame synchronous signal. Depending on the transfer mode, it has the following two functions.

- Synchronous pulse: 1-bit-width pulse indicating the start of the frame
- L/R: 1/2-frame-width pulse indicating the left-channel stereo data (L) in high level and the right-channel stereo data (R) in low level

Figure 22.3 shows the SIOF_SYNC synchronization timing.

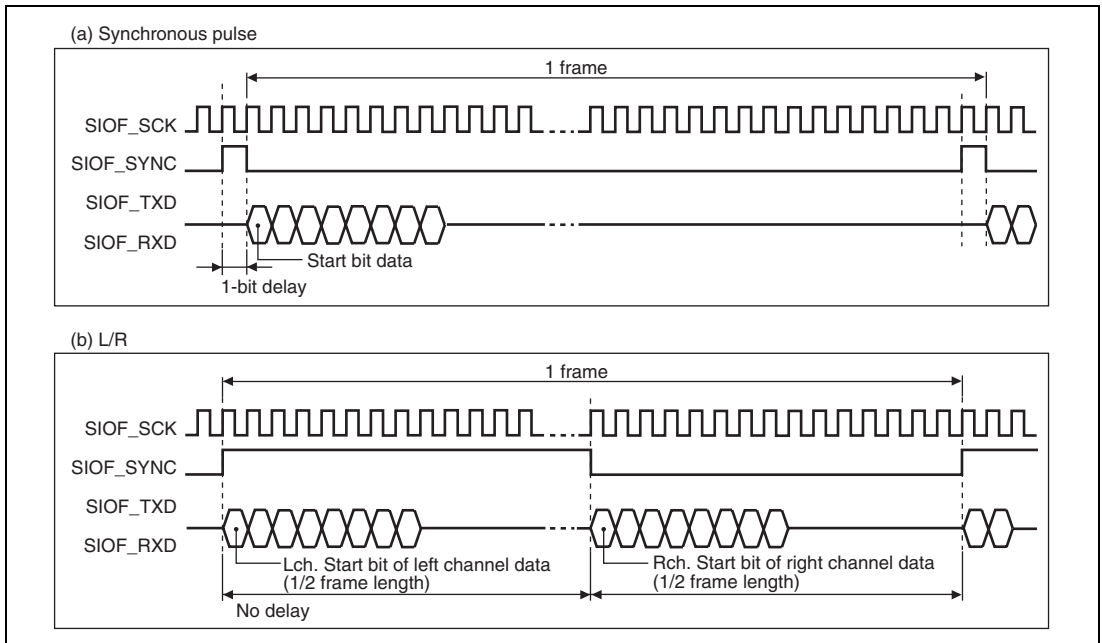


Figure 22.3 Serial Data Synchronization Timing

(2) Transmit/Receive Timing

The SIOF_TXD transmit timing and SIOF_RXD receive timing relative to the SIOF_SCK can be set as the sampling timing in the following two ways. The transmit/receive timing is set by the REDG bit in SIMDR.

- Falling-edge sampling
- Rising-edge sampling

Figure 22.4 shows the transmit/receive timing.

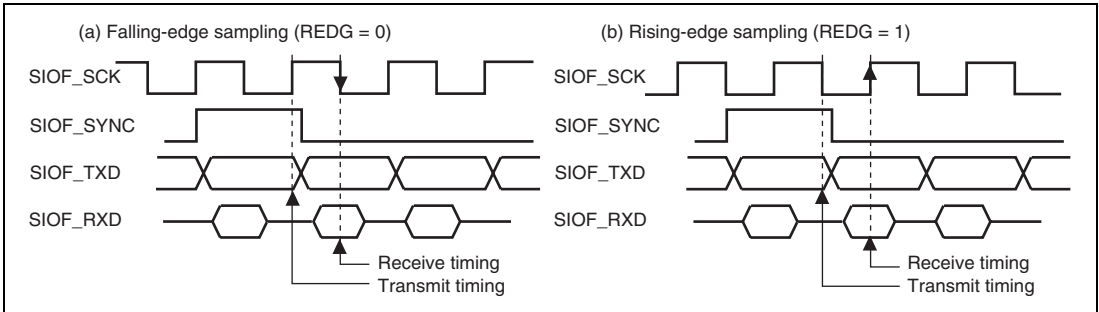


Figure 22.4 SIOF Transmit/Receive Timing

22.4.3 Transfer Data Format

The SIOF performs the following transfer.

- Transmit/receive data: Transfer of 8-bit data/16-bit data/16-bit stereo data
- Control data: Transfer of 16-bit data (uses the transmit/receive control register as interface)

(1) Transfer Mode

As shown in table 22.6, the SIOF supports the following four transfer modes. The transfer mode can be specified by the TRMD1 and TRMD0 bits in SIMDR.

Table 22.6 Serial Transfer Modes

TRMD1 and TRMD0	Transfer Mode	SIOF_SYNC	Bit Delay	Control Data*
00	Slave mode 1	Synchronous pulse	SYNCDL bit	Slot position
01	Slave mode 2	Synchronous pulse		Secondary FS
10	Master mode 1	Synchronous pulse		Slot position
11	Master mode 2	L/R	No	Not supported

Note: * The control data method is valid when the FL bits are set to B'1xxx (x: don't care).

(2) Frame Length

The frame length to be transferred by the SIOF is specified by the FL3 to FL0 bits in SIMDR. Table 22.7 shows the relationship between the setting values and frame length.

Table 22.7 Frame Length

FL3 to FL0	Slot Length	Number of Bits in a Frame	Transfer Data
00xx	8	8	8-bit monaural data
0100	8	16	8-bit monaural data
0101	8	32	8-bit monaural data
0110	8	64	8-bit monaural data
0111	8	128	8-bit monaural data
10xx	16	16	16-bit monaural data
1100	16	32	16-bit monaural/stereo data
1101	16	64	16-bit monaural/stereo data
1110	16	128	16-bit monaural/stereo data
1111	16	256	16-bit monaural/stereo data

Note: x: Don't care.

(3) Slot Position

The SIOF can specify the position of transmit data, receive data, and control data in a frame (common to transmission and reception) by slot numbers. The slot number of each data is specified by the following registers.

- Transmit data: SITDAR
- Receive data: SIRDAR
- Control data: SICDAR

Only 16-bit data is valid for control data. In addition, control data is always assigned to the same slot number both in transmission and reception.

22.4.4 Register Allocation of Transfer Data

(1) Transmit/Receive Data

Writing and reading of transmit/receive data is performed for the following registers.

- Transmit data writing: SITDR (32-bit access)
- Receive data reading: SIRDR (32-bit access)

Figure 22.5 shows the transmit/receive data and the SITDR and SIRDR bit alignment.

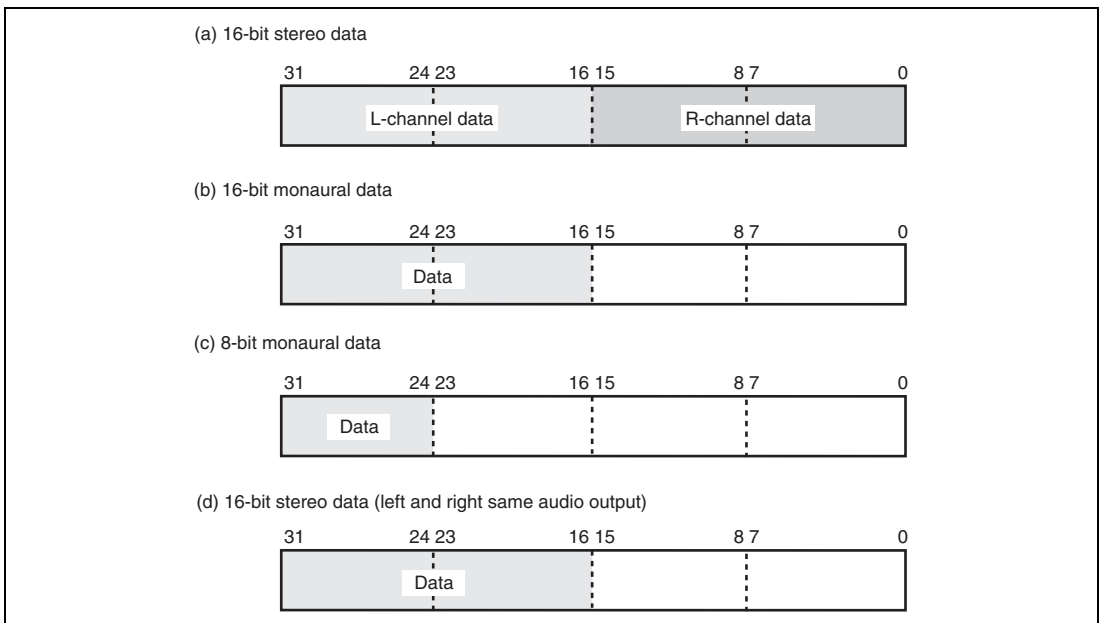


Figure 22.5 Transmit/Receive Data Bit Alignment

Note: In the figure, only the shaded areas are transmitted or received as valid data. Therefore, access must be made in byte units for 8-bit data, and in word units for 16-bit data. Data in not shaded areas is not transmitted or received.

Monaural or stereo can be specified for transmit data by the TDLE bit and TDRE bit in SITDAR. Monaural or stereo can be specified for receive data by the RDLE bit and RDRE bit in SIRДАР. To achieve left and right same audio output while stereo is specified for transmit data, set the TLREP bit in SITDAR. Tables 22.8 and 22.9 show the audio mode specification for transmit data and that for receive data, respectively.

Table 22.8 Audio Mode Specification for Transmit Data

Mode	Bit		
	TDLE	TDRE	TLREP
Monaural	1	0	x
Stereo	1	1	0
Left and right same audio output	1	1	1

Legend:

x: Don't care

Table 22.9 Audio Mode Specification for Receive Data

Mode	Bit	
	RDLE	RDRE
Monaural	1	0
Stereo	1	1

Note: Left and right same audio mode is not supported in receive data.

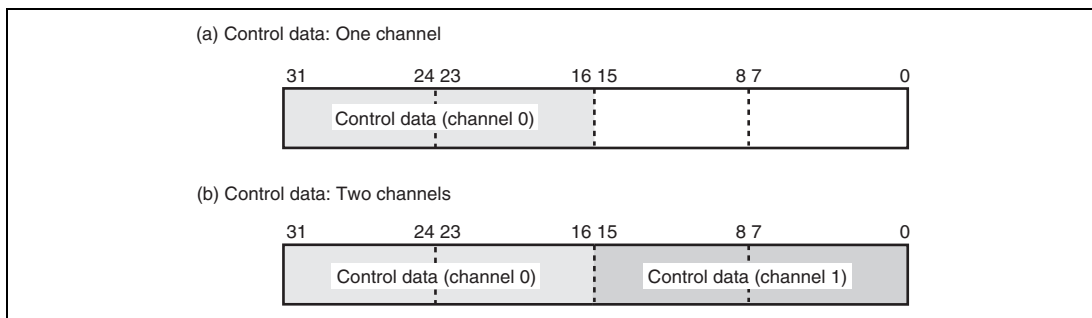
To execute 8-bit monaural transmission or reception, use the left channel.

(2) Control Data

Control data is written to or read from by the following registers.

- Transmit control data write: SITCR (32-bit access)
- Receive control data read: SIRCR (32-bit access)

Figure 22.6 shows the control data and bit alignment in SITCR and SIRCR.

**Figure 22.6 Control Data Bit Alignment**

The number of channels in control data is specified by the CD0E and CD1E bits in SICDAR. Table 22.10 shows the relationship between the number of channels in control data and bit settings.

Table 22.10 Number of Channels in Control Data

Number of Channels	Bit	
	CD0E	CD1E
1	1	0
2	1	1

Note: To use only one channel in control data, use channel 0.

22.4.5 Control Data Interface

Control data performs control command output to the CODEC and status input from the CODEC. The SIOF supports the following two control data interface methods.

- Control by slot position
- Control by secondary FS

Control data is valid when data length is specified as 16 bits.

(1) Control by Slot Position (Master Mode 1 and Slave Mode 1)

Control data is transferred for all frames transmitted or received by the SIOF by specifying the slot position of control data. This method can be used in both SIOF master and slave modes. Figure 22.7 shows an example of the control data interface timing by slot position control.

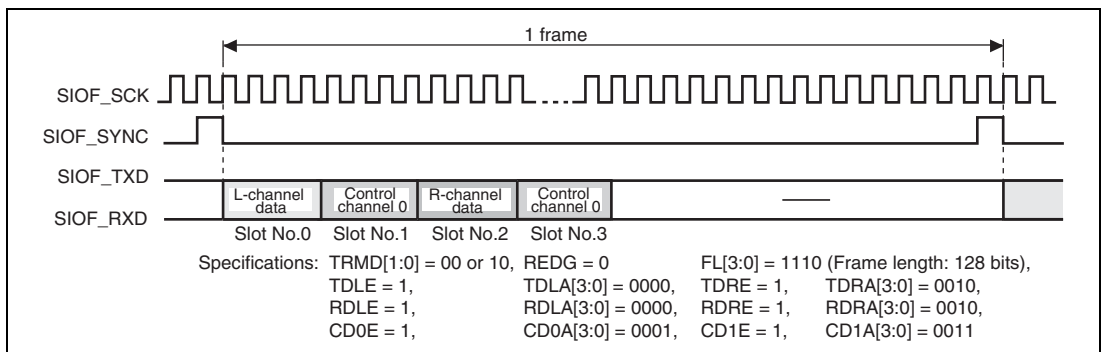


Figure 22.7 Control Data Interface (Slot Position)

(2) Control by Secondary FS (Slave Mode 2)

The CODEC normally outputs the SIOF_SYNC signal as synchronization pulse (FS). In this method, the CODEC outputs the secondary FS specific to the control data transfer after 1/2 frame time has been passed (not the normal FS output timing) to transmit or receive control data. This method is valid for SIOF slave mode. The following summarizes the control data interface procedure by the secondary FS.

- Transmit normal transmit data of LSB = 0 (the SIOF forcibly clears to 0).
- To execute control data transmission, send transmit data of LSB = 1 (the SIOF forcibly set to 1 by writing SITCDR).
- The CODEC outputs the secondary FS.
- The SIOF transmits or receives (stores in SIRCDR) control data (data specified by SITCDR) synchronously with the secondary FS.

Figure 22.8 shows an example of the control data interface timing by the secondary FS.

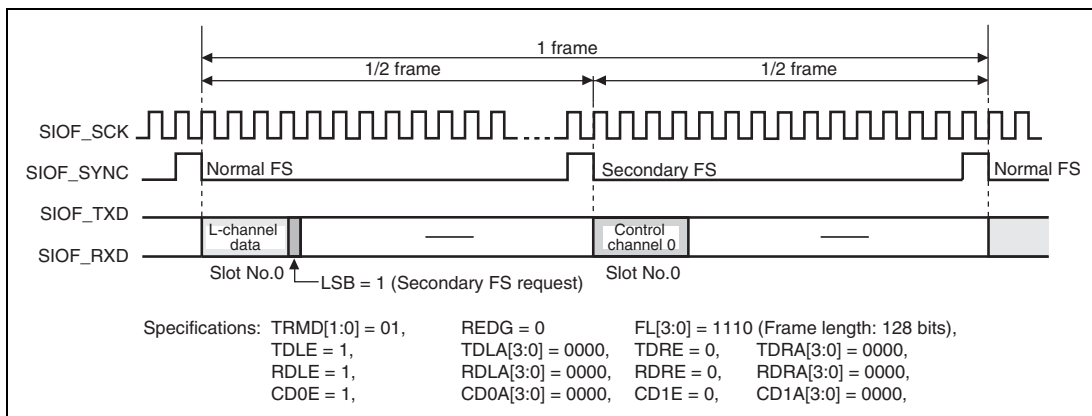


Figure 22.8 Control Data Interface (Secondary FS)

22.4.6 FIFO

(1) Overview

The transmit and receive FIFO systems of the SIOF have the following features.

- 16-stage 32-bit FIFOs for transmission and reception
- The FIFO pointer can be updated in one read or write cycle regardless of access size of the CPU and DMAC. (One-stage 32-bit FIFO access cannot be divided into multiple accesses.)


(2) Transfer Request

The transfer request of the FIFO can be issued to the CPU or DMAC as the following interrupt sources.

- FIFO transmit request: TDREQ (transmit interrupt source)
- FIFO receive request: RDREQ (receive interrupt source)


The request conditions for FIFO transmit or receive can be specified individually. The request conditions for the FIFO transmit and receive are specified by the TFWM2 to TFWM0 bits and the bits RFWM2 to RFWM0 in SIFCTR, respectively. Tables 22.11 and 22.12 summarize the conditions to issue transmit request and those to issue receive request, respectively.

Table 22.11 Conditions to Issue Transmit Request

TFWM2 to TFWM0	Number of Requested Stages* ¹	Transmit Request	Used Areas
000	1	Empty area is 16 stages	
100	4	Empty area is 12 stages or more	
101	8	Empty area is 8 stages or more	
110	12	Empty area is 4 stages or more	
111* ²	16	Empty area is 1 stage or more	

Notes: 1. The number of requested stages is the number of stages in transmit/receive FIFO.
2. Setting prohibited in DMA use.

Table 22.12 Conditions to Issue Receive Request

RFWM2 to RFWM0	Number of Requested Stages*	Receive Request	Used Areas
000	1	Valid data is 1 stage or more	Smallest
100	4	Valid data is 4 stages or more	
101	8	Valid data is 8 stages or more	
110	12	Valid data is 12 stages or more	
111	16	Valid data is 16 stages	

Note: * The number of requested stages is the number of stages in transmit/receive FIFO.

The number of stages of the FIFO is always sixteen even if the data area or empty area exceeds the FIFO size. Accordingly, an overflow error or underflow error occurs if data area or empty area exceeds sixteen FIFO stages.

The FIFO transmit or receive request is canceled when the above condition is not satisfied even if the FIFO is not empty or full.

(3) Number of FIFOs

The number of FIFO stages used in transmission and reception is indicated by the following register.

- Transmit FIFO: The number of empty FIFO stages is indicated by the TFUA4 to TFUA0 bits in SIFCTR.
- Receive FIFO: The number of valid data stages is indicated by the bits RFUA4 to RFUA0 bits in SIFCTR.

The above indicates possible data numbers that can be transferred by the CPU or DMAC.

22.4.7 Transmit and Receive Procedures

Set each register after setting the PFC.

(1) Transmission in Master Mode

Figure 22.9 shows an example of settings and operation for master mode transmission.

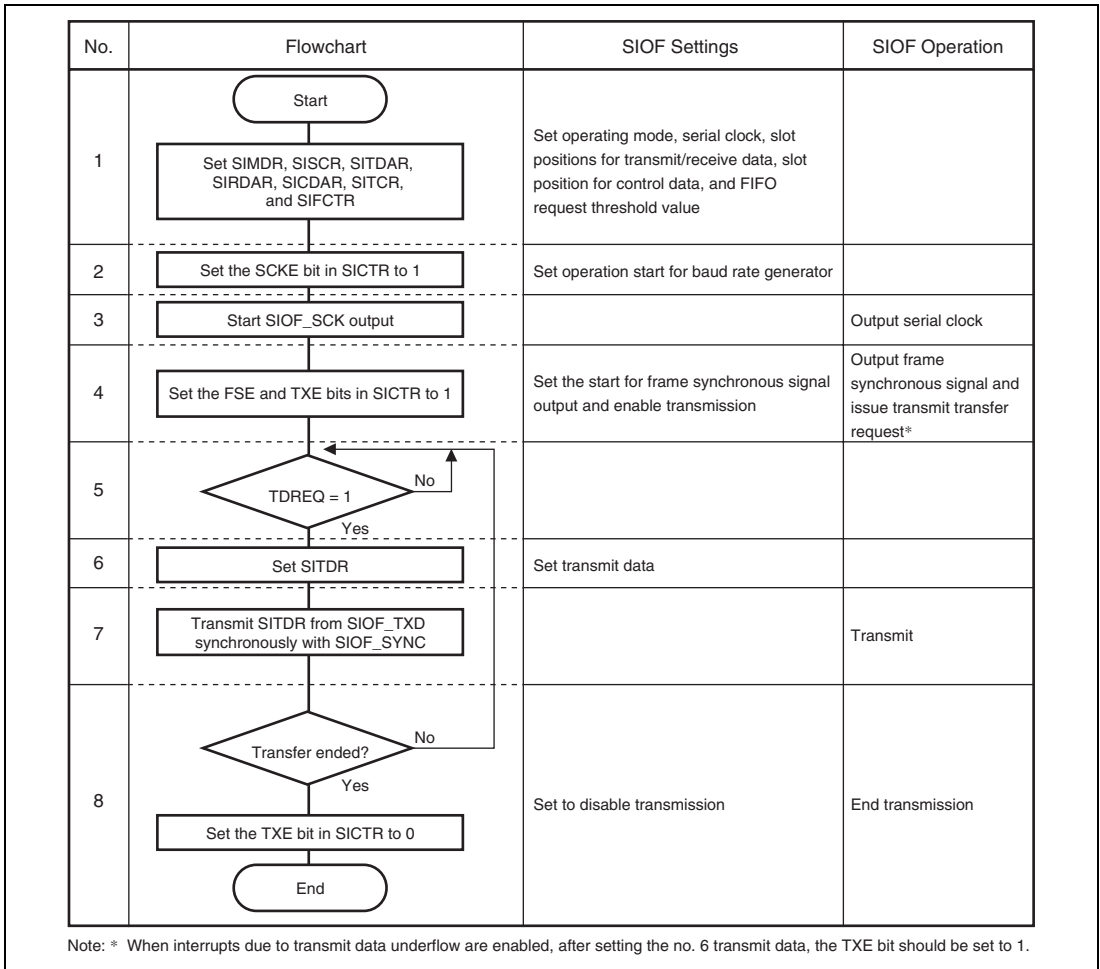


Figure 22.9 Example of Transmit Operation in Master Mode

(2) Reception in Master Mode

Figure 22.10 shows an example of settings and operation for master mode reception.

No.	Flowchart	SIOF Settings	SIOF Operation
1		Set operating mode, serial clock, slot positions for transmit/receive data, slot position for control data, and FIFO request threshold value	
2		Set operation start for baud rate generator	
3			Output serial clock
4		Set the start for frame synchronous signal output and enable reception	Output frame synchronous signal
5			Issue receive transfer request according to the receive FIFO threshold value
6			Receive
7		Read receive data	
8		Set to disable reception	End reception

Figure 22.10 Example of Receive Operation in Master Mode

(3) Transmission in Slave Mode

Figure 22.11 shows an example of settings and operation for slave mode transmission.

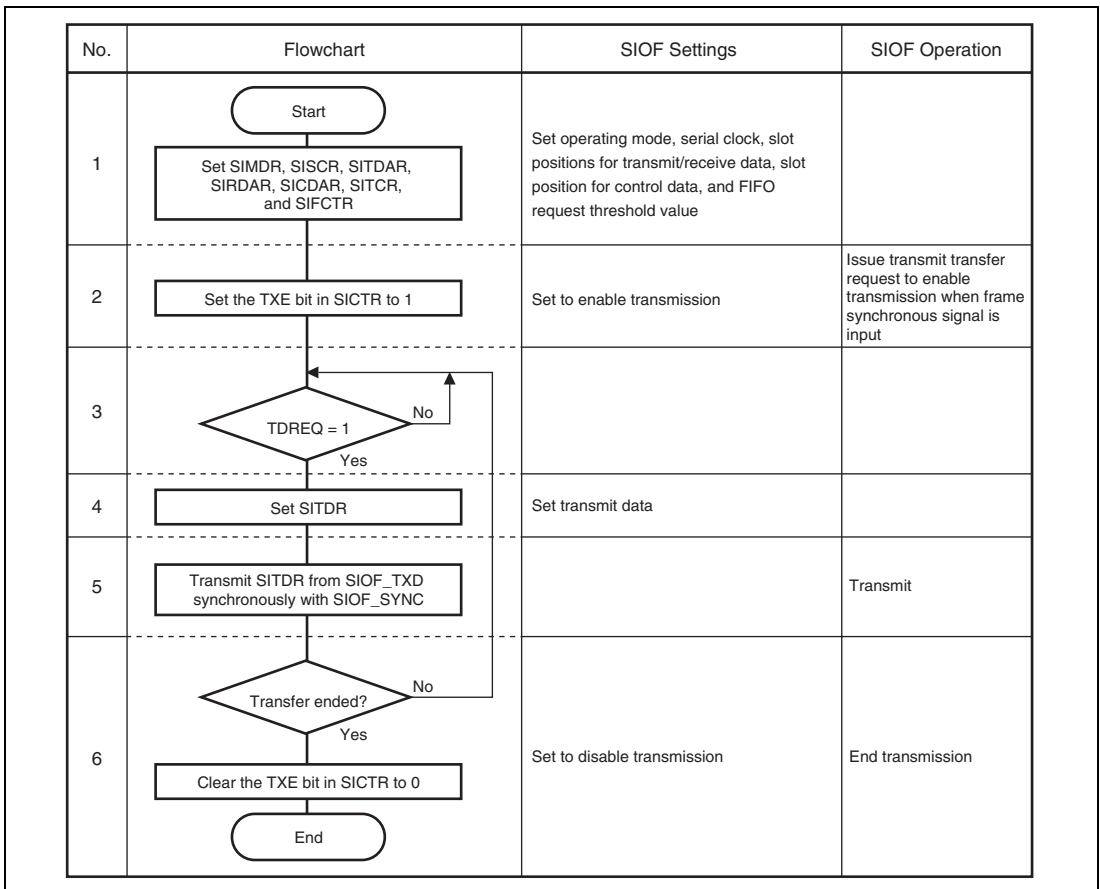


Figure 22.11 Example of Transmit Operation in Slave Mode

(4) Reception in Slave Mode

Figure 22.12 shows an example of settings and operation for slave mode reception.

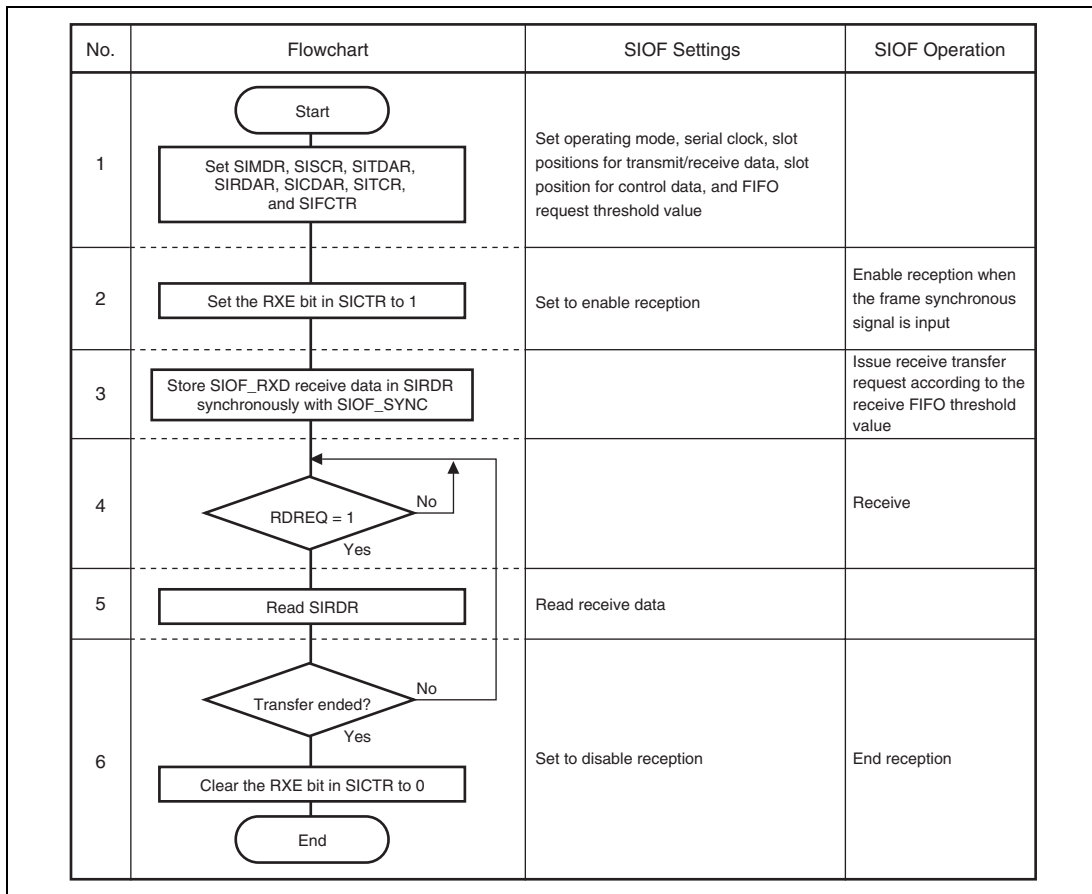


Figure 22.12 Example of Receive Operation in Slave Mode

(5) Transmit/Receive Reset

The SIOF can separately reset the transmit and receive units by setting the following bits to 1.

- Transmit reset: TXRST bit in SICTR
- Receive reset: RXRST bit in SICTR

Table 22.13 shows the details on initialization upon transmit or receive reset.

Table 22.13 Transmit and Receive Reset

Type	Objects to be Initialized
Transmit reset	Stop transmitting from SIOF_TXD (output according to the value set in the TXDIZ bit) Transmit FIFO write pointer TCRDY, TFEMP, and TDREQ bits in SISTR TXE bit in SICTR
Receive reset	Stop receiving from SIOF_RXD Receive FIFO read pointer RCRDY, RFFUL, and RDREQ bits in SISTR RXE bit in SICTR

22.4.8 Interrupts

The SIOF has one type of interrupt.

(1) Interrupt Sources

Interrupts can be issued by several sources. Each source is shown as an SIOF status in SISTR. Table 22.14 lists the SIOF interrupt sources.

Table 22.14 SIOF Interrupt Sources

No.	Classification	Bit Name	Function Name	Description
1	Transmission	TDREQ	Transmit FIFO transfer request	The transmit FIFO stores data of specified size or more.
2		TFEMP	Transmit FIFO empty	The transmit FIFO is empty.
3	Reception	RDREQ	Receive FIFO transfer request	The receive FIFO stores data of specified size or more.
4		RFFUL	Receive FIFO full	The receive FIFO is full.
5	Control	TCRDY	Transmit control data ready	The transmit control register is ready to be written to.
6		RCRDY	Receive control data ready	The receive control data register stores valid data.
7	Error	TFUDF	Transmit FIFO underflow	Serial data transmit timing has arrived while the transmit FIFO is empty.
8		TFOVF	Transmit FIFO overflow	Write to the transmit FIFO is performed while the transmit FIFO is full.
9		RFOVF	Receive FIFO overflow	Serial data is received while the receive FIFO is full.
10		RFUDF	Receive FIFO underflow	The receive FIFO is read while the receive FIFO is empty.
11		FSERR	Frame Synchronous Error	A synchronous signal is input before the specified bit number has been passed (in slave mode).
12		SAERR	Slot assign error	The same slot is specified in both serial data and control data.

Whether an interrupt is issued or not as the result of an interrupt source is determined by the SIIER settings. If an interrupt source is set to 1 and the corresponding bit in SIIER is set to 1, an SIOF interrupt is issued.

(2) Regarding Transmit and Receive Classification

The transmit sources and receive sources are signals indicating the state; after being set, if the state changes, they are automatically cleared by the SIOF.

When the DMA transfer is used, a DMA transfer request is pulled low for one cycle at the end of DMA transfer.

(3) Processing when Errors Occur

On occurrence of each of the errors indicated as a status in SISTR, the SIOF performs the following operations.

- Transmit FIFO underflow (TFUDF)
The immediately preceding transmit data is again transmitted.
- Transmit FIFO overflow (TFOVF)
The contents of the transmit FIFO are protected, and the write operation causing the overflow is ignored.
- Receive FIFO overflow (RFOVF)
Data causing the overflow is discarded and lost.
- Receive FIFO underflow (RFUDF)
An undefined value is output on the bus.
- Frame synchronization error (FSERR)
The internal counter is reset according to the signal in which an error occurs.
- Slot assign error (SAERR)
 - If the same slot is assigned to both serial data and control data, the slot is assigned to serial data.
 - If the same slot is assigned to two control data items, the data cannot be transferred correctly.

22.4.9 Transmit and Receive Timing

Figures 22.13 to 22.19 show examples of the SIOF serial transmission and reception.

(1) 8-bit Monaural Data (1)

Synchronous pulse method, falling edge sampling, slot No.0 used for transmit and receive data, a frame length = 8 bits

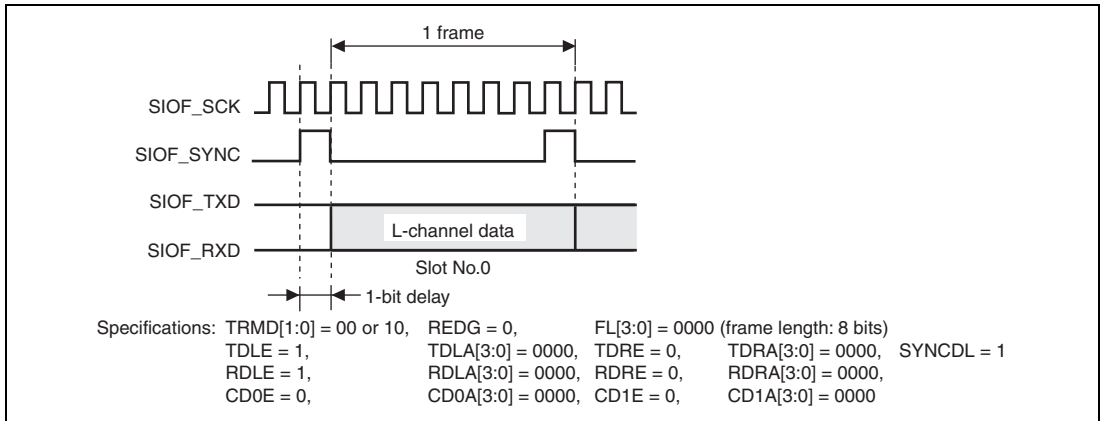


Figure 22.13 Transmit and Receive Timing (8-Bit Monaural Data (1))

(2) 8-bit Monaural Data (2)

Synchronous pulse method, falling edge sampling, slot No.0 used for transmit and receive data, and frame length = 16 bits

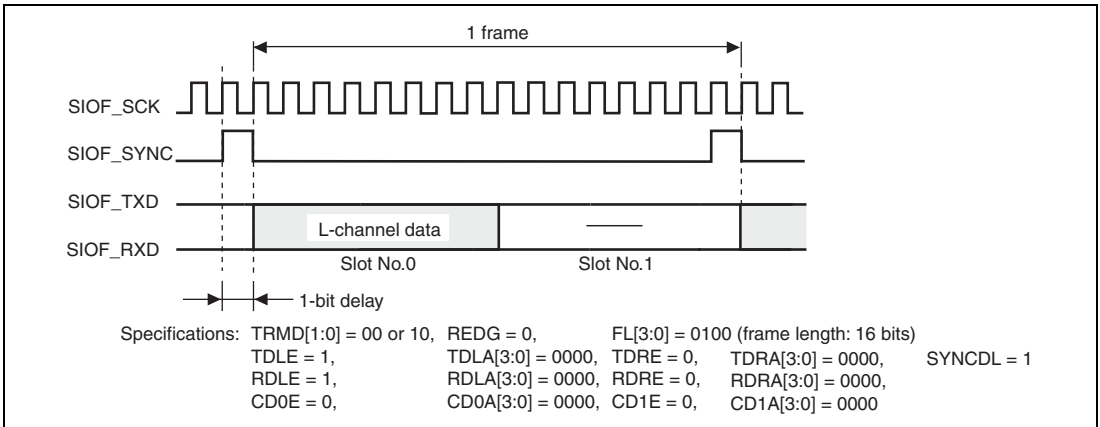


Figure 22.14 Transmit and Receive Timing (8-Bit Monaural Data (2))

(3) 16-bit Monaural Data

Synchronous pulse method, falling edge sampling, slot No.0 used for transmit and receive data, and frame length = 64 bits

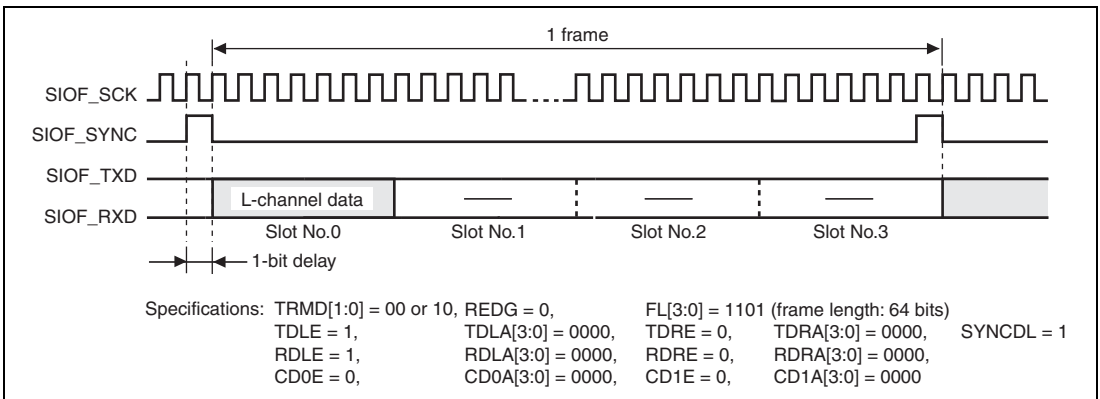


Figure 22.15 Transmit and Receive Timing (16-Bit Monaural Data)

(4) 16-bit Stereo Data (1)

L/R method, rising edge sampling, slot No.0 used for left-channel data, slot No.1 used for right-channel data, and frame length = 32 bits

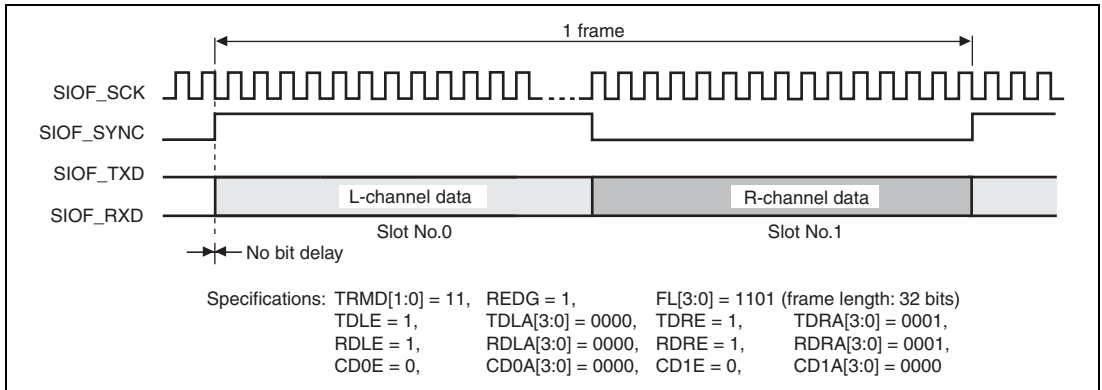


Figure 22.16 Transmit and Receive Timing (16-Bit Stereo Data (1))

(5) 16-bit Stereo Data (2)

L/R method, rising edge sampling, slot No.0 used for left-channel transmit data, slot No.1 used for left-channel receive data, slot No.2 used for right-channel transmit data, slot No.3 used for right-channel receive data, and frame length = 64 bits

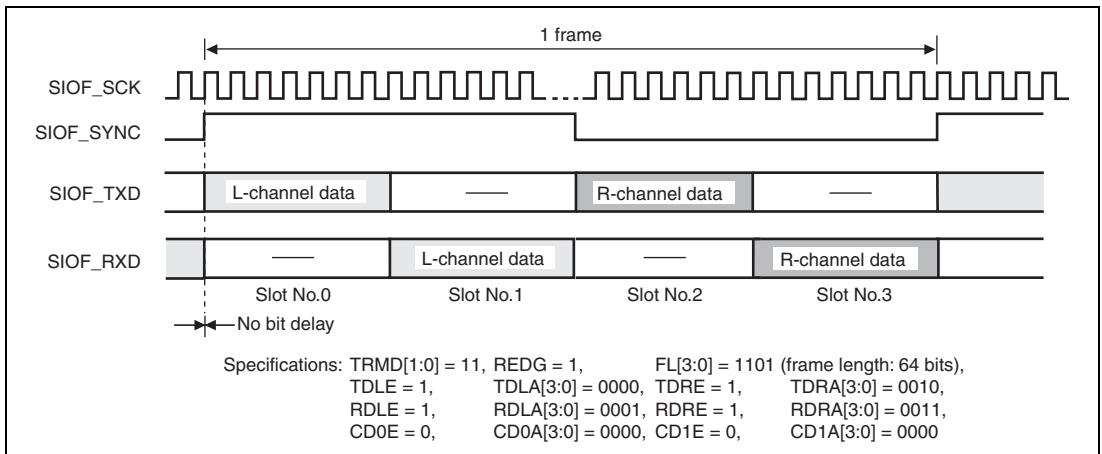


Figure 22.17 Transmit and Receive Timing (16-Bit Stereo Data (2))

(6) 16-bit Stereo Data (3)

Synchronous pulse method, falling edge sampling, slot No.0 used for left-channel data, slot No.1 used for right-channel data, slot No.2 used for control channel 0 data, slot No.3 used for control channel 1 data, and frame length = 128 bits

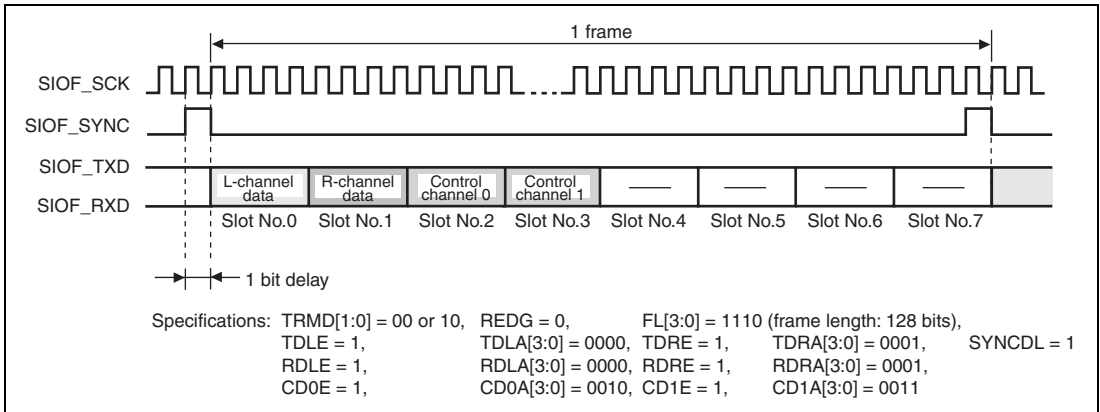


Figure 22.18 Transmit and Receive Timing (16-Bit Stereo Data (3))

(7) 16-bit Stereo Data (4)

Synchronous pulse method, falling edge sampling, slot No.0 used for left-channel data, slot No.2 used for right-channel data, slot No.1 used for control channel 0 data, slot No.3 used for control channel 1 data, and frame length = 128 bits

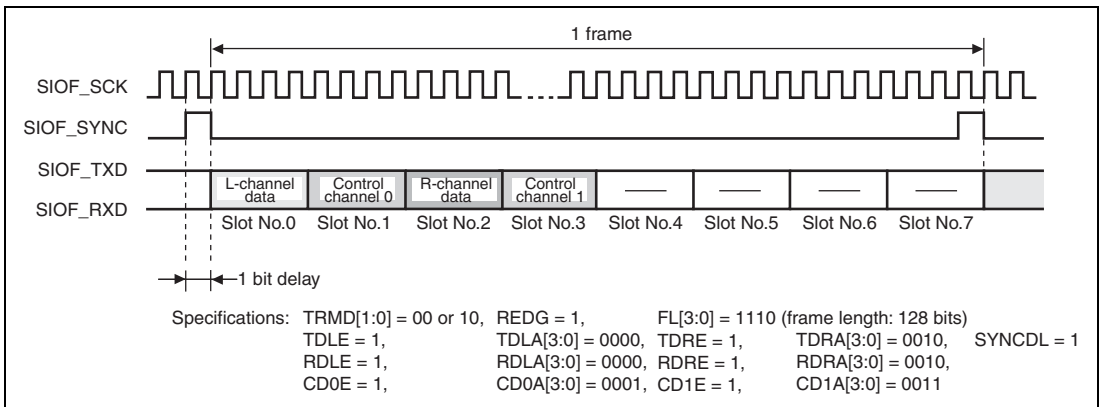


Figure 22.19 Transmit and Receive Timing (16-Bit Stereo Data (4))

(8) Synchronization-Pulse Output Mode at End of Each Slot (SYNCAT Bit = 1)

Synchronous pulse method, falling edge sampling, slot No.0 used for left-channel data, slot No.1 used for right-channel data, slot No.2 used for control channel 0 data, slot No.3 used for control channel 1 data, and frame length = 128 bits

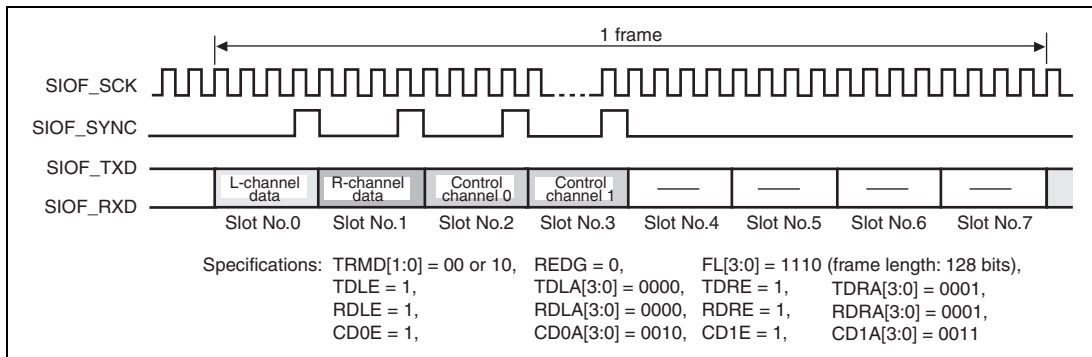


Figure 22.20 Transmit and Receive Timing (16-Bit Stereo Data)

Section 23 Serial Peripheral Interface (HSPI)

This LSI incorporates one channel of the Serial Protocol Interface (HSPI).

23.1 Features

The HSPI has the following features.

- Operating mode: Master mode or Slave mode.
- The transmit and receive sections within the module are double buffered to allow duplex communication.
- A flexible peripheral clock (Pck) division strategy allows a wide range of bit rates to be supported.
- The programmable clock control logic allows setting for two different transmit protocols and accommodates transmit and receive functions on either edge of the serial clock.
- Error detection logic is provided for warning of the receive buffer overflow.
- The HSPI has a facility to generate the chip select signal to slave modules when configured as a master either automatically as part of the data transfer process, or under the manual control of the host processor.
- Both the transmit data and receive data can be DMA transferred independently via the two DMA channels.

Figure 23.1 is a block diagram of the HSPI.

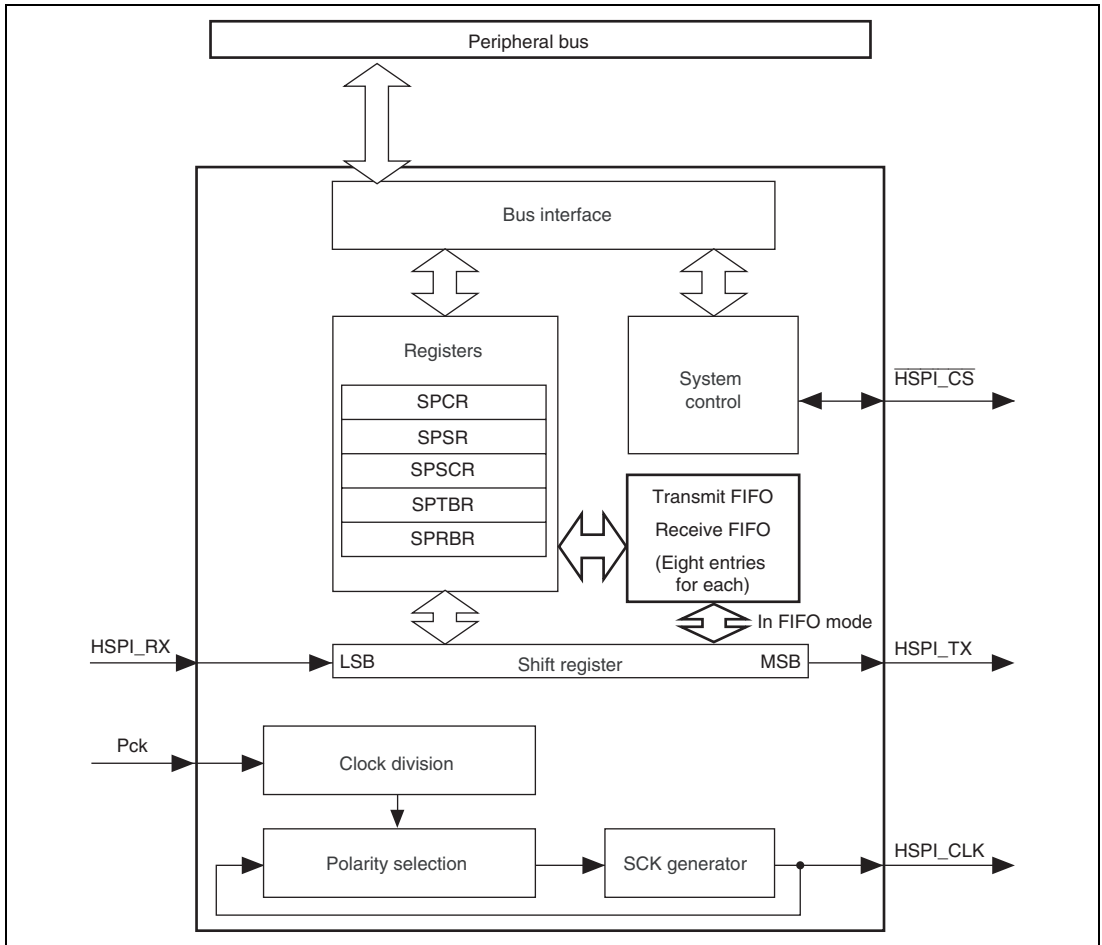


Figure 23.1 Block Diagram of HSPI

23.2 Input/Output Pins

The input/output pins of the HSPI is shown in table 23.1.

Table 23.1 Pin Configuration

Pin Name	Abbrev.	I/O	Description
Serial bit clock pin	HSPI_CLK	I/O	Clock input/output
Transmit data pin	HSPI_TX	Output	Transmit data output
Receive data pin	HSPI_RX	Input	Receive data input
Chip select pin	HSPI_CS	I/O	Chip select

23.3 Register Descriptions

Table 23.2 Register Configuration (1)

Register Name	Abbrev.	R/W	P4 Address	Area 7 Address	Size	Sync Clock
Control register	SPCR	R/W	H'FFE5 0000	H'1FE5 0000	32	Pck
Status register	SPSR	R*	H'FFE5 0004	H'1FE5 0004	32	Pck
System control register	SPSCR	R/W	H'FFE5 0008	H'1FE5 0008	32	Pck
Transmit buffer register	SPTBR	R/W	H'FFE5 000C	H'1FE5 000C	32	Pck
Receive buffer register	SPRBR	R	H'FFE5 0010	H'1FE5 0010	32	Pck

Note: For bits 4 and 3, only 0s can be written to clear the flags.

Table 23.3 Register Configuration (2)

Register Name	Abbrev.	Power-on Reset by PRESET¹ Pin/WDT/H-UDI	Manual Reset by WDT/ Multiple Exception	Sleep/Deep Sleep by SLEEP Instruction	Module Standby	Software Reset
Control register	SPCR	H'0000 0000	H'0000 0000	Retained	Retained	Retained
Status register	SPSR	H'xxxx xx20* ¹	H'xxxx xx20* ¹	Retained	Retained	H'xxxx xxxx* ²
System control register	SPSCR	H'0000 0040	H'0000 0040	Retained	Retained	Retained
Transmit buffer register	SPTBR	H'0000 0000	H'0000 0000	Retained	Retained	Retained
Receive buffer register	SPRBR	H'0000 0000	H'0000 0000	Retained	Retained	Retained

Notes: 1. "x" represents an undefined value.

2. "x" represents an undefined value. Bits 9, 6, 4, and 3 are retained. The other bits are initialized except those of which the initial values are undefined.

23.3.1 Control Register (SPCR)

SPCR is a 32-bit readable/writable register that controls the transfer data of shift timing and specifies the clock polarity and frequency.

Bit:	31	30	29	28	27	26	25	24	23	22	21	20	19	18	17	16
	—	—	—	—	—	—	—	—	—	—	—	—	—	—	—	—
Initial value:	0	0	0	0	0	0	0	0	0	0	0	0	0	0	0	0
R/W:	R	R	R	R	R	R	R	R	R	R	R	R	R	R	R	R
Bit:	15	14	13	12	11	10	9	8	7	6	5	4	3	2	1	0
	—	—	—	—	—	—	—	—	FBS	CLKP	IDIV	CLKC4	CLKC3	CLKC2	CLKC1	CLKC0
Initial value:	0	0	0	0	0	0	0	0	0	0	0	0	0	0	0	0
R/W:	R	R	R	R	R	R	R	R	R/W	R/W	R/W	R/W	R/W	R/W	R/W	R/W

Bit	Bit Name	Initial Value	R/W	Description
31 to 8	—	All 0	R	Reserved These bits are always read as an undefined value. The write value should always be 0.
7	FBS	0	R/W	First Bit Start Controls the timing relationship between each bit of transferred data and the serial clock. 0: The first bit transmitted from the HSPI module is set up such that it can be sampled by the receiving device at the first edge of HSPI_CLK specified by the register after the HSPI_CS pin goes low. Similarly the first received bit is sampled at the first edge of HSPI_CLK after the HSPI_CS pin goes low. 1: The first bit transmitted from the HSPI module is set up such that it can be sampled by the receiving device at the second edge of HSPI_CLK after the HSPI_CS pin goes low. Similarly the first received bit is sampled at the second edge of HSPI_CLK specified by the register after the HSPI_CS pin goes low.
6	CLKP	0	R/W	Serial Clock Polarity 0: HSPI_CLK signal is not inverted and so is low when inactive. 1: HSPI_CLK signal is inverted and so is high when inactive.

Bit	Bit Name	Initial Value	R/W	Description
5	IDIV	0	R/W	<p>Initial Clock Division Ratio</p> <p>0: The peripheral clock (Pck) is divided by a factor of 4 initially to create an intermediate frequency, which is further divided to create the serial clock for master mode.</p> <p>1: The peripheral clock (Pck) is divided by a factor of 32 initially to create an intermediate frequency, which is further divided to create the serial clock for master mode.</p>
4 to 0	CLKC4 to CLKC0	All 0	R/W	<p>Clock Division Count</p> <p>These bits determine the frequency dividing ratio that is used to obtain the serial clock from the intermediate clock.</p> <p>00000: 1 intermediate frequency cycle. Serial clock frequency = Intermediate frequency / 2.</p> <p>00001: 2 Intermediate frequency cycles. Serial clock frequency = Intermediate frequency / 4.</p> <p>00010: 3 intermediate frequency cycles. Serial clock frequency = Intermediate frequency / 6.</p> <p style="text-align: center;">: :</p> <p>11111: 32 intermediate frequency cycles. Serial clock frequency = Intermediate frequency / 64.</p>

The serial clock frequency can be computed using the following formula:

$$\text{Serial clock frequency} = \frac{\text{Peripheral clock frequency}}{(\text{Initial division ratio} \times (\text{Clock division count} + 1) \times 2)}$$

When the HSPI is configured as a slave, the IDIV and CLKC bits are ignored and the HSPI synchronizes to the externally supplied serial clock. The maximum value of the external serial clock that the module can operate with is $Pck / 8$.

If any of the FBS, CLKP, IDIV or CLKC bit values are changed, the HSPI will undergo a software reset.

When IPIV or CLKC is specified or changed, the internal serial clock generation counter is reset. In this case, data transmit/receive should be performed after the time length of at least one serial clock cycle (depends on IDIV or CLKC specified) has elapsed.

23.3.2 Status Register (SPSR)

SPSR is a 32-bit readable/writable register. Through the status flags in SPSR, it can be confirmed whether or not the system is correctly operating. If the ROIE bit in SPSCR is set to 1, an interrupt request is generated due to the occurrence of the receive buffer overrun error or the warning of the receive buffer overrun error. When the TFIE bit in SPSCR is set to 1, an interrupt request is generated by the transmit complete status flag. If the appropriate enable bit in SPSCR is set to 1, an interrupt request is generated due to the receive FIFO halfway, receive FIFO full, transmit FIFO empty, or transmit FIFO halfway flag. If the RNIE bit in SPSCR is set to 1, an interrupt request is generated when the receive FIFO is not empty.

Bit:	31	30	29	28	27	26	25	24	23	22	21	20	19	18	17	16
	—	—	—	—	—	—	—	—	—	—	—	—	—	—	—	—
Initial value:	—	—	—	—	—	—	—	—	—	—	—	—	—	—	—	—
R/W:	R	R	R	R	R	R	R	R	R	R	R	R	R	R	R	R
Bit:	15	14	13	12	11	10	9	8	7	6	5	4	3	2	1	0
	—	—	—	—	—	TXFU	TXHA	TXEM	RXFU	RXHA	RXEM	RXOO	RXOW	RXFL	TXFN	TXFL
Initial value:	—	—	—	—	—	0	0	1	0	0	1	0	0	0	0	0
R/W:	R	R	R	R	R	R	R	R	R	R	R	R/W*	R/W*	R	R	R

Bit	Bit Name	Initial Value	R/W	Description
31 to 11	—	Undefined	R	Reserved These bits are always read as an undefined value. The write value should always be 0.
10	TXFU	0	R	Transmit FIFO Full Flag This status flag is enabled only in FIFO mode. The flag is set to 1 when the transmit FIFO is full of bytes for transmission and cannot accept any more. It is cleared to 0 when data is transmitted from the transmit FIFO to the HSPI bus.
9	TXHA	0	R	Transmit FIFO Halfway Flag This status flag is enabled only in FIFO mode. The flag is set to 1 when the transmit FIFO reaches the halfway point, that is, it has four bytes of data and free space for four bytes of data. It is cleared to 0 when more data is written to the transmit FIFO. It remains set to 1 until cleared to 0 even if data stored in the FIFO becomes less than four bytes (halfway point). If TXHA = 1 and THIE = 1, an interrupt is generated.

Bit	Bit Name	Initial Value	R/W	Description
8	TXEM	1	R	<p>Transmit FIFO Empty Flag</p> <p>This status flag is enabled only in FIFO mode. The flag is set to 1 when the transmit FIFO is empty of data to transmit. It is cleared to 0 when data is written to the transmit FIFO.</p> <p>If TXEM = 1 and TEIE = 1, an interrupt is generated.</p>
7	RXFU	0	R	<p>Receive FIFO Full Flag</p> <p>This status flag is enabled only in FIFO mode. The flag is set to 1 when the receive FIFO is full of received bytes and cannot accept any more. It is cleared to 0 when data is read out of the receive FIFO.</p> <p>If RXFU = 1 and RFIE = 1, an interrupt is generated.</p>
6	RXHA	0	R	<p>Receive FIFO Halfway Flag</p> <p>This status flag is enabled only in FIFO mode. The flag is set to 1 when the receive FIFO reaches the halfway point, that is, it has four bytes of data and free space for four bytes of data. This flag is cleared to 0 when the receive data is read from receive FIFO and the data stored in the FIFO becomes less than four bytes (halfway point).</p> <p>If RXHA = 1 and RHIE = 1, an interrupt is generated.</p>
5	RXEM	1	R	<p>Receive FIFO Empty Flag</p> <p>This status flag is enabled only in FIFO mode. The flag is set to 1 when the receive FIFO is empty of received data. It is cleared to 0 when data is written to the receive FIFO.</p> <p>If RXEM = 0 and RNIE = 1, an interrupt is generated.</p>
4	RXOO	0	R/W*	<p>Receive Buffer Overrun Occurred Flag</p> <p>This status flag is set to 1 when new data has been received but the previous received data has not been read from SPRBR. The previously received data will not be overwritten by the newly received data. The RXOO flag remains set to 1 until writing 0 to this bit position.</p> <p>If RXOO = 1 and ROIE = 1, an interrupt is generated.</p>

Bit	Bit Name	Initial Value	R/W	Description
3	RXOW	0	R/W*	<p>Receive Buffer Overrun Warning Flag</p> <p>This status flag is set to 1 when a new serial data transfer has started before the previous received data is read from SPRBR. The RXOW remains set to 1 until writing 0 to this bit position.</p> <p>If RXOW= 1 and ROIE = 1, an interrupt is generated.</p>
2	RXFL	0	R	<p>Receive Buffer Full Status Flag</p> <p>This status flag indicates that new data is available in the SPRBR and has not yet been read. It is set to 1 when the shift register contents are loaded into the SPRBR in the end of a serial bus transfer. This bit is cleared to 0 by reading SPRBR.</p>
1	TXFN	0	R	<p>Transmit Complete Status Flag</p> <p>This status flag indicates that the last transmission has been completed. It is set to 1 when SPTBR is ready to accept data from the peripheral bus. This bit is cleared to 0 by writing data to SPTBR.</p> <p>If TXFN = 1 and TFIE = 1, an interrupt is generated.</p>
0	TXFL	0	R	<p>Transmit Buffer Full Status Flag</p> <p>This status flag indicates the SPTBR stores data that has not been transmitted. It is set to 1 when SPTBR is written with data from the peripheral bus. This bit is cleared to 0 when SPTBR is ready to accept data from the peripheral bus.</p>

Note: * These bits are readable/writable bits. Writing 0 initializes these bits to the initial values of respective bits, while writing 1 is ignored.

23.3.3 System Control Register (SPSCR)

SPSCR is a 32-bit readable/writable register that enables or disables interrupts or FIFO mode, selects either LSB first or MSB first in transmitting/receiving data, and master or slave mode.

If any of the FFEN, LMSB, CSA, or MASL bit values are changed, the module will undergo a software reset.

Bit:	31	30	29	28	27	26	25	24	23	22	21	20	19	18	17	16
	—	—	—	—	—	—	—	—	—	—	—	—	—	—	—	—
Initial value:	0	0	0	0	0	0	0	0	0	0	0	0	0	0	0	0
R/W:	R	R	R	R	R	R	R	R	R	R	R	R	R	R	R	R
Bit:	15	14	13	12	11	10	9	8	7	6	5	4	3	2	1	0
	—	—	TEIE	THIE	RNIE	RHIE	RFIE	FFEN	LMSB	CSV	CSA	TFIE	ROIE	RXDE	TXDE	MASL
Initial value:	0	0	0	0	0	0	0	0	0	1	0	0	0	0	0	0
R/W:	R	R	R/W	R/W	R/W	R/W	R/W	R/W	R/W	R/W	R/W	R/W	R/W	R/W	R/W	R/W

Bit	Bit Name	Initial Value	R/W	Description
31 to 14	—	All 0	R	Reserved These bits are always read as an undefined value. The write value should always be 0.
13	TEIE	0	R/W	Transmit FIFO Empty Interrupt Enable 0: Transmit FIFO empty interrupt disabled 1: Transmit FIFO empty interrupt enabled
12	THIE	0	R/W	Transmit FIFO Halfway Interrupt Enable 0: Transmit FIFO halfway interrupt disabled 1: Transmit FIFO halfway interrupt enabled
11	RNIE	0	R/W	Receive FIFO Not Empty Interrupt Enable 0: Receive FIFO not empty interrupt disabled 1: Receive FIFO not empty interrupt enabled
10	RHIE	0	R/W	Receive FIFO Halfway Interrupt Enable 0: Receive FIFO halfway interrupt disabled 1: Receive FIFO halfway interrupt enabled
9	RFIE	0	R/W	Receive FIFO Full Interrupt Enable 0: Receive FIFO full interrupt disabled 1: Receive FIFO full interrupt enabled

Bit	Bit Name	Initial Value	R/W	Description
8	FFEN	0	R/W	<p>FIFO Mode Enable</p> <p>Enables or disables the FIFO mode. When FIFO mode is enabled, two 8-entry FIFOs are made available, one for transmit data and one for receive data. These FIFOs are read and written via SPTBR and SPRBR, respectively. When FIFO mode is disabled, the SPTBR and SPRBR are used directly so new data must be written to SPTBR and read from SPRBR for each and every transfer through the HSPI bus. FIFO mode must be disabled if DMA requests are also to be used to service SPTBR and SPRBR.</p> <p>0: FIFO mode disabled 1: FIFO mode enabled</p>
7	LMSB	0	R/W	<p>LSB/MSB First Control</p> <p>0: Data is transmitted and received most significant bit (MSB) first. 1: Data is transmitted and received least significant bit (LSB) first.</p>
6	CSV	1	R/W	<p>Chip Select Value</p> <p>Controls the value output as the chip select signal when the HSPI is a master and manual generation of the chip select signal has been selected.</p> <p>0: Chip select output is low. 1: Chip select output is high.</p>
5	CSA	0	R/W	<p>Automatic/Manual Chip Select</p> <p>0: Chip select output is automatically generated during data transfer. 1: Chip select output is manually controlled, with its value being determined by the CSV bit.</p>
4	TFIE	0	R/W	<p>Transmit Complete Interrupt Enable</p> <p>0: Transmit complete interrupt disabled 1: Transmit complete interrupt enabled</p>
3	ROIE	0	R/W	<p>Receive Overrun Occurred/Warning Interrupt Enable</p> <p>0: Receive overrun occurred/warning interrupt disabled 1: Receive overrun occurred/warning interrupt enabled</p>

Bit	Bit Name	Initial Value	R/W	Description
2	RXDE	0	R/W	Receive DMA Enable 0: Receive DMA transfer request disabled 1: Receive DMA transfer request enabled
1	TXDE	0	R/W	Transmit DMA Enable 0: Transmit DMA transfer request disabled 1: Transmit DMA transfer request enabled
0	MASL	0	R/W	Master/Slave Select Bit 0: HSPI module configured as a slave 1: HSPI module configured as a master

23.3.4 Transmit Buffer Register (SPTBR)

SPTBR is a 32-bit readable/writable register that stores data to be transmitted.

Bit:	31	30	29	28	27	26	25	24	23	22	21	20	19	18	17	16
	—	—	—	—	—	—	—	—	—	—	—	—	—	—	—	—
Initial value:	0	0	0	0	0	0	0	0	0	0	0	0	0	0	0	0
R/W:	R	R	R	R	R	R	R	R	R	R	R	R	R	R	R	R
Bit:	15	14	13	12	11	10	9	8	7	6	5	4	3	2	1	0
	—	—	—	—	—	—	—	—	TD							
Initial value:	0	0	0	0	0	0	0	0	0	0	0	0	0	0	0	0
R/W:	R	R	R	R	R	R	R	R	R/W	R/W	R/W	R/W	R/W	R/W	R/W	R/W

Bit	Bit Name	Initial Value	R/W	Description
31 to 8	—	All 0	R	Reserved These bits are always read as an undefined value. The write value should always be 0.
7 to 0	TD	All 0	R/W	Transmit Data Data written to this register is transferred to the shift register for transmission. When reading these bits, the data stored in the transmit buffer is always read.

23.3.5 Receive Buffer Register (SPRBR)

SPRBR is a 32-bit read-only register that stores received data.

Bit:	31	30	29	28	27	26	25	24	23	22	21	20	19	18	17	16
	—	—	—	—	—	—	—	—	—	—	—	—	—	—	—	—
Initial value:	0	0	0	0	0	0	0	0	0	0	0	0	0	0	0	0
R/W:	R	R	R	R	R	R	R	R	R	R	R	R	R	R	R	R
Bit:	15	14	13	12	11	10	9	8	7	6	5	4	3	2	1	0
	—	—	—	—	—	—	—	—	RD							
Initial value:	0	0	0	0	0	0	0	0	0	0	0	0	0	0	0	0
R/W:	R	R	R	R	R	R	R	R	R	R	R	R	R	R	R	R

Bit	Bit Name	Initial Value	R/W	Description
31 to 8	—	All 0	R	Reserved These bits are always read as an undefined value. The write value should always be 0.
7 to 0	RD	All 0	R	Receive Data Data is transferred from the shift register to these bits every time one byte of data is received if the previously received data has been read.

23.4 Operation

23.4.1 Operation Overview with FIFO Mode Disabled

Figure 23.2 shows the flow of a transmit/receive operation procedure.

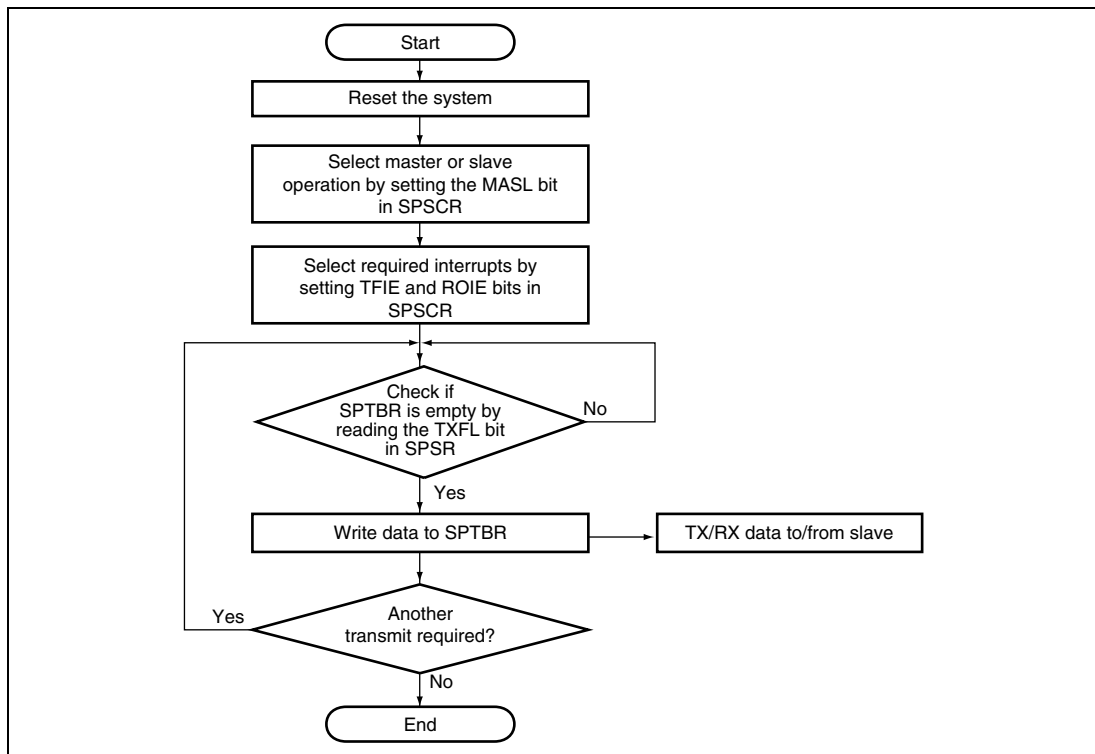


Figure 23.2 Operational Flowchart

Depending on the settings of SPCR, the master transmits data to the slave on either the falling or rising edge of HSPI_CLK and samples data from the slave at the opposite edge. The data transfer between the master and slave is completed when the transmit complete status flag (TXFN) in SPSR is set to 1. This flag should be used to identify when an HSPI transfer event (byte transmitted and byte received) has occurred, even in the case where the HSPI module is used to receive data only (null data being transmitted). By default data is transmitted MSB first, but LSB first is also possible depending on how the LMSB bit in SPSCR is set.

During the transmit operation the slave responds by sending data to the master synchronized with the HSPI_CLK from the master transmitted. Data from the slave is sampled and transferred to the shift register in the module and on completion of the transmit operation, is transferred to SPRBR.

The $\overline{\text{HSPI_CS}}$ pin should be used to select the HSPI module and prepare it to receive data from an external master when the HSPI is configured as a slave. When the FBS bit in SPCR is 0, the $\overline{\text{HSPI_CS}}$ pin must be driven high between successive bytes (the $\overline{\text{HSPI_CS}}$ pin must be driven high after a byte transfer). When FBS = 1, the $\overline{\text{HSPI_CS}}$ pin can stay low for several byte transmissions. In this case, if the system is configured such that FBS is always 1, the $\overline{\text{HSPI_CS}}$ line can be fixed at ground (if the HSPI will only be used as a slave).

23.4.2 Operation with FIFO Mode Enabled

In order to reduce the interrupt overhead on the CPU, FIFO mode has been provided. When FIFO mode is enabled, up to eight bytes can be written in advance for transmission and up to eight bytes can be received before the receive FIFO needs to be read. To transfer the specified amount of data between the HSPI module and an external device, use the following procedure:

1. Set up the module for the required HSPI transfer characteristics (master/slave, clock polarity etc.) and enable FIFO mode.
2. Write bytes into the transmit FIFO via SPTBR. If more than eight bytes are to be transmitted, enable the transmit FIFO halfway interrupt to keep track of the FIFO level as data is transmitted.
3. Respond to the transmit FIFO halfway interrupt when it occurs by writing more data to the transmit FIFO and reading data from the receive FIFO via SPRBR.
4. When all of the transmit data has been written into the transmit FIFO, disable the transmit FIFO halfway interrupt and read the contents of the receive FIFO until it is empty. Enable the receive FIFO not empty interrupt to keep track of when the final bytes of the transfer are received.
5. Respond to the receive FIFO not empty interrupt until all the expected data has been received.
6. Disable the module until it is required again.

In some applications, an undefined amount of data will be received from an external HSPI device. If this is the case, use the following procedure:

1. Set up the module for the required HSPI transfer characteristics (master/slave, clock polarity, etc.) and enable FIFO mode.
2. Fill the transmit FIFO with the data to transmit. Enable the receive FIFO not empty interrupt.
3. Respond to the receive FIFO not empty interrupt and read data from the receive FIFO until it is empty. Write more data to the transmit FIFO if required.
4. Disable the module when the transfer is to stop.

23.4.3 Timing Diagrams

The following diagrams explain the timing relationship of all shift and sample processes in the HSPI. Figure 23.3 shows the conditions when FBS = 0, figure 23.4 shows the conditions when FBS = 0 (continuous transfer), figure 23.5 shows the conditions when FBS = 1, and figure 23.6 shows the conditions when FBS = 1 (continuous transfer). It can be seen that if CLKP in SPCR is 0, transmit data is shifted at the falling edge of HSPI_CLK and receive data is sampled at the rising edge of HSPI_CLK. The opposite is true when CLKP = 1.

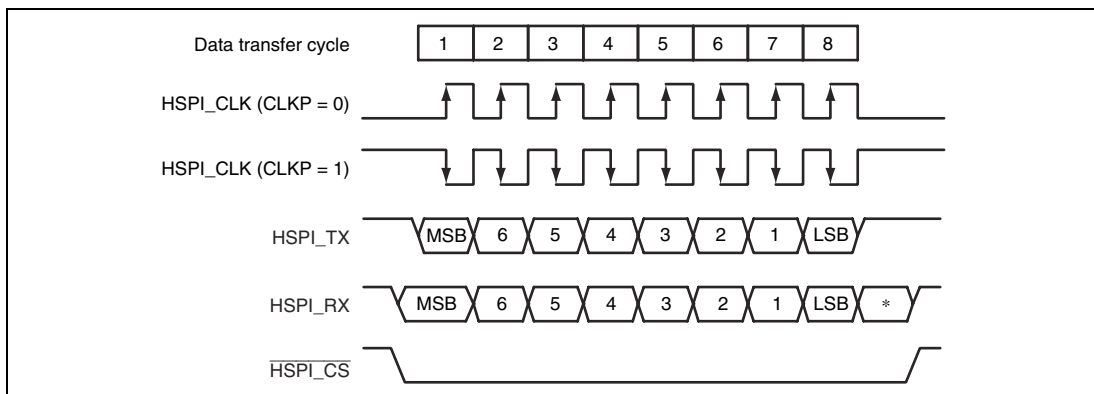


Figure 23.3 Timing Conditions when FBS = 0

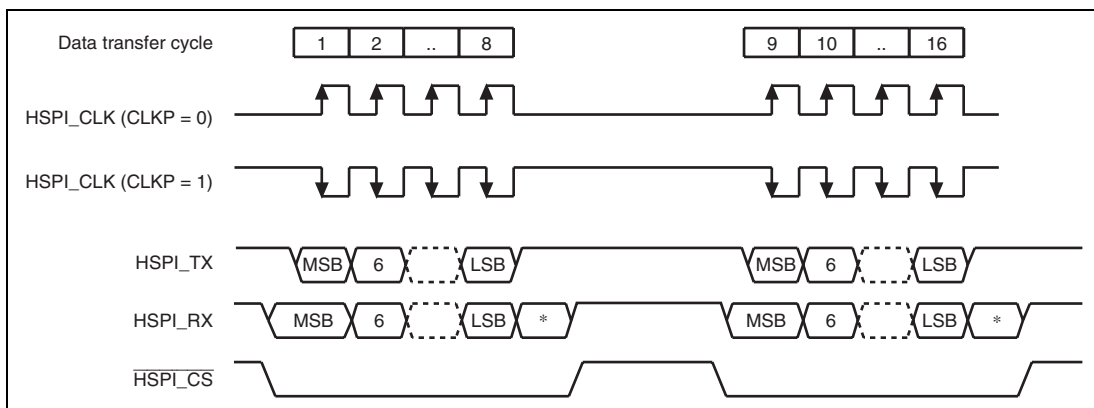


Figure 23.4 Timing Conditions when FBS = 0 (Continuous Transfer)

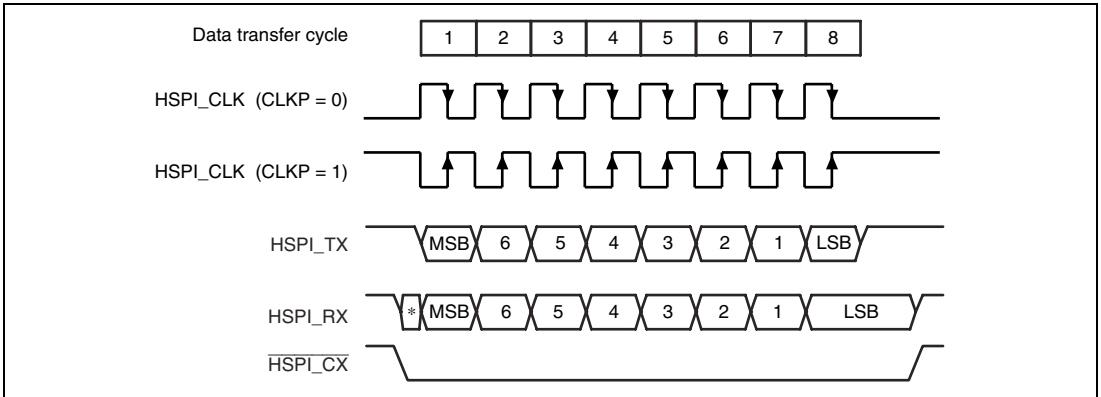


Figure 23.5 Timing Conditions when FBS = 1

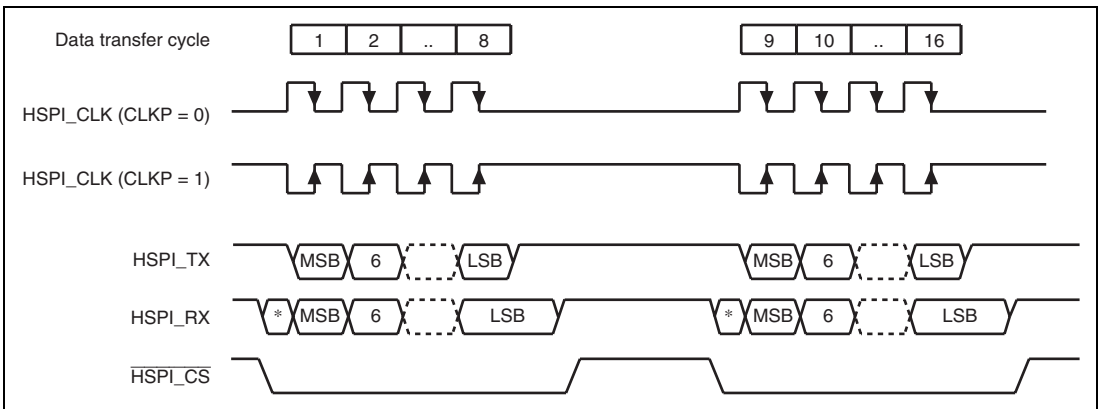


Figure 23.6 Timing Conditions when FBS = 1 (Continuous Transfer)

The asterisk (*) in the figures shows 0 or 1.

23.4.4 HSPI Software Reset

If any of the control bits, except for SPCR and the interrupt and chip select value bits of SPSCR, are changed, then the HSPI software reset is generated. The receive and transmit FIFO pointers can be initialized by the HSPI software reset. The data transmission after the HSPI software reset should conform to transmitting and receiving protocol of HSPI and be performed from the beginning; otherwise, correct operation is not guaranteed.

When asserting the $\overline{\text{HSPI_CS}}$ except when the master device is transferring data with the HSPI in slave mode, set CSA again after a software reset. This prevents the HSPI from receiving erroneous data.

23.4.5 Clock Polarity and Transmit Control

SPCR also allows the user to define the shift timing for transmit data and polarity. The FBS bit in SPCR allows selection between two different transfer formats. When CSA of SPSR is 0, the MSB or LSB is valid at the falling edge of $\overline{\text{HSPI_CS}}$. The CLKP bit in SPCR allows for control of the polarity select block, shown in figure 23.1, which selects the edge of HSPI_CLK on which data is shifted and sampled in the master and slave.

23.4.6 Transmit and Receive Routines

The master and slave can be considered linked together as a circular shift register synchronized with HSPI_CLK. The transmit byte from the master is replaced with the receive byte from the slave in eight HSPI_CLK cycles. Both the transmit and receive functions are double buffered to allow for continuous reads and writes. When FIFO mode is enabled, 8-entry FIFOs are available for both transmit and receive data.

23.4.7 Flags and Interrupt Timing

The interrupt timing when the flags of the status register (SPSR) and the system control register (SPSCR) are set is shown in figure 23.7.

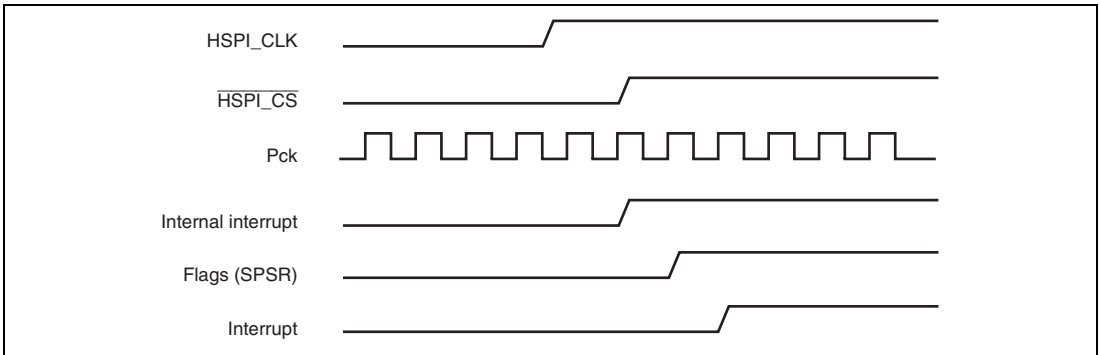


Figure 23.7 Flags and Interrupt Timing

If an interrupt cause (receive FIFO halfway, etc.) occurs, it is reflected to the status register (SPSR) in synchronization with Pck, and an interrupt occurs.

23.4.8 Low-Power Consumption and Clock Synchronization

The HSPI operates in synchronization with the bus clock. Module standby mode is enabled/disabled by the MSTP2 bit of the CPG module standby control register 0 (MSTPCR0). Take the following steps to enter module standby mode.

1. Check that all data transfers have been completed. The transmit buffer (or FIFO) must be empty and the receive buffer (or FIFO) must be read until the receive buffer becomes empty.
2. Disable all DMA requests, interrupt requests, and FIFO mode.
3. Set the MSTP2 bit of the standby control register 0 (MSTPCR0).

To activate the HSPI, write 0 to the MSTP2 bit of the standby control register 0 (MSTPCR0).

Section 24 Multimedia Card Interface (MMCIF)

This LSI supports a multimedia card interface (MMCIF). The MMC mode interface can be utilized. The MMCIF is a clock-synchronous serial interface that transmits/receives data that is distinguished in terms of command and response. A number of commands/responses are predefined in the multimedia card. As the MMCIF specifies a command code and command type/response type upon the issuance of a command, commands extended by the secure multimedia card (Secure-MMC) and additional commands can be supported in the future within the range of combinations of currently defined command types/response types.

24.1 Features

The MMCIF has the following features:

- Supports a subset of the MultiMediaCard System Specification Version 3.1
- Supports MMC mode
- Incorporates 64 data-transfer FIFOs of 16 bits
- Supports DMA transfer
- Four interrupt sources
FIFO empty/full (FSTAT), command/response/data transfer complete (TRAN), transfer error (ERR), and FIFO ready (FRDY)
- Interface via the MMCCLK output (transfer clock output) pin, the MMCCMD input/output (command output/response input) pin, and the MMCDAT input/output (data input/output) pin

Figure 24.1 shows a block diagram of the MMCIF.

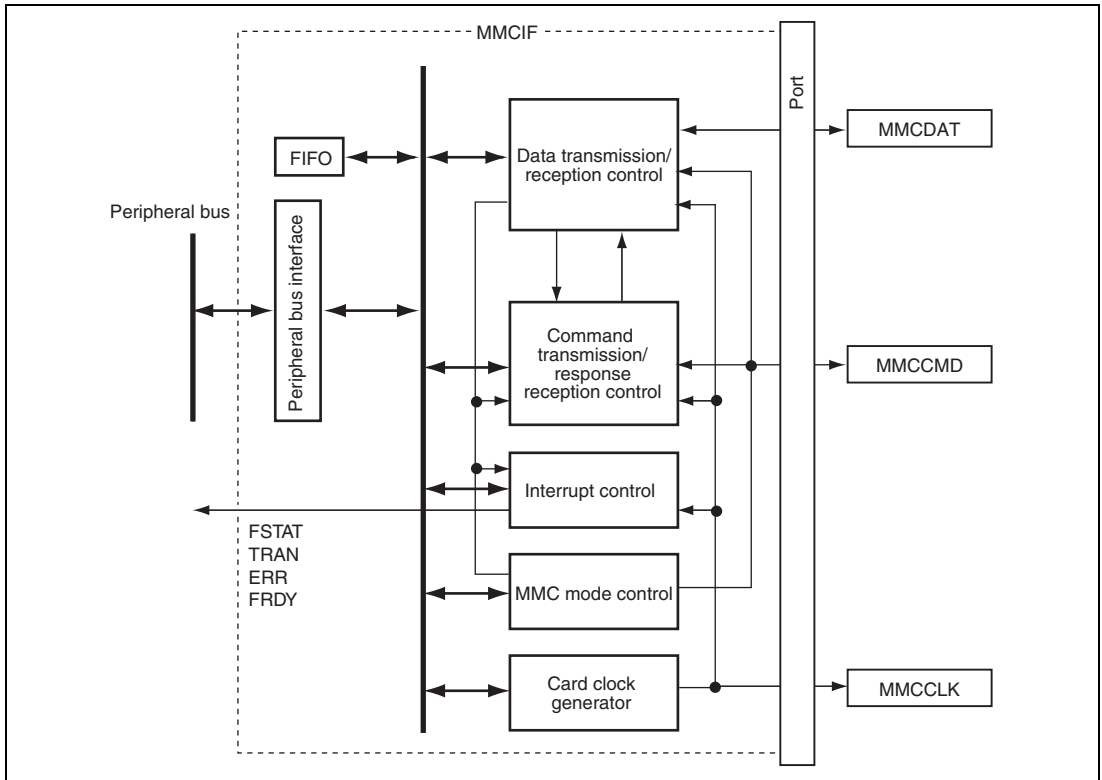


Figure 24.1 Block Diagram of MMCIF

24.2 Input/Output Pins

Table 24.1 summarizes the pins of the MMCIF.

Table 24.1 Pin Configuration

Pin Name	I/O	Function
MMCCLK	Input/Output	Card clock output
MMCCMD	Input/Output	Command output/response input
MMCDAT	Input/Output	Data input/output

Note: For insertion/detachment of a card or for signals switching over between open-drain and CMOS modes, use ports of this LSI.

24.3 Register Descriptions

Table 24.2 shows the MMCIF register configuration.

Table 24.2 Register Configuration (1)

Register Name	Abbrev.	R/W	P4 Address	Area 7 Address	Size	Sync Clock
Command register 0	CMDR0	R/W	H'FFE6 0000	H'1FE6 0000	8	Pck
Command register 1	CMDR1	R/W	H'FFE6 0001	H'1FE6 0001	8	Pck
Command register 2	CMDR2	R/W	H'FFE6 0002	H'1FE6 0002	8	Pck
Command register 3	CMDR3	R/W	H'FFE6 0003	H'1FE6 0003	8	Pck
Command register 4	CMDR4	R/W	H'FFE6 0004	H'1FE6 0004	8	Pck
Command register 5	CMDR5	R	H'FFE6 0005	H'1FE6 0005	8	Pck
Command start register	CMDSTRT	R/W	H'FFE6 0006	H'1FE6 0006	8	Pck
Operation control register	OPCR	R/W	H'FFE6 000A	H'1FE6 000A	8	Pck
Card status register	CSTR	R	H'FFE6 000B	H'1FE6 000B	8	Pck
Interrupt control register 0	INTCR0	R/W	H'FFE6 000C	H'1FE6 000C	8	Pck
Interrupt control register 1	INTCR1	R/W	H'FFE6 000D	H'1FE6 000D	8	Pck
Interrupt status register 0	INTSTR0	R/W	H'FFE6 000E	H'1FE6 000E	8	Pck
Interrupt status register 1	INTSTR1	R/W	H'FFE6 000F	H'1FE6 000F	8	Pck
Transfer clock control register	CLKON	R/W	H'FFE6 0010	H'1FE6 0010	8	Pck
Command timeout control register	CTOCR	R/W	H'FFE6 0011	H'1FE6 0011	8	Pck
Transfer byte number count register	TBCR	R/W	H'FFE6 0014	H'1FE6 0014	8	Pck
Mode register	MODER	R/W	H'FFE6 0016	H'1FE6 0016	8	Pck
Command type register	CMDTYR	R/W	H'FFE6 0018	H'1FE6 0018	8	Pck
Response type register	RSPTYR	R/W	H'FFE6 0019	H'1FE6 0019	8	Pck
Transfer block number counter	TBNCR	R/W	H'FFE6 001A	H'1FE6 001A	16	Pck
Response register 0	RSPR0	R/W	H'FFE6 0020	H'1FE6 0020	8	Pck
Response register 1	RSPR1	R/W	H'FFE6 0021	H'1FE6 0021	8	Pck
Response register 2	RSPR2	R/W	H'FFE6 0022	H'1FE6 0022	8	Pck
Response register 3	RSPR3	R/W	H'FFE6 0023	H'1FE6 0023	8	Pck
Response register 4	RSPR4	R/W	H'FFE6 0024	H'1FE6 0024	8	Pck

Register Name	Abbrev.	R/W	P4 Address	Area 7 Address	Size	Sync Clock
Response register 5	RSPR5	R/W	H'FFE6 0025	H'1FE6 0025	8	Pck
Response register 6	RSPR6	R/W	H'FFE6 0026	H'1FE6 0026	8	Pck
Response register 7	RSPR7	R/W	H'FFE6 0027	H'1FE6 0027	8	Pck
Response register 8	RSPR8	R/W	H'FFE6 0028	H'1FE6 0028	8	Pck
Response register 9	RSPR9	R/W	H'FFE6 0029	H'1FE6 0029	8	Pck
Response register 10	RSPR10	R/W	H'FFE6 002A	H'1FE6 002A	8	Pck
Response register 11	RSPR11	R/W	H'FFE6 002B	H'1FE6 002B	8	Pck
Response register 12	RSPR12	R/W	H'FFE6 002C	H'1FE6 002C	8	Pck
Response register 13	RSPR13	R/W	H'FFE6 002D	H'1FE6 002D	8	Pck
Response register 14	RSPR14	R/W	H'FFE6 002E	H'1FE6 002E	8	Pck
Response register 15	RSPR15	R/W	H'FFE6 002F	H'1FE6 002F	8	Pck
Response register 16	RSPR16	R/W	H'FFE6 0030	H'1FE6 0030	8	Pck
CRC status register	RSPRD	R/W	H'FFE6 0031	H'1FE6 0031	8	Pck
Data timeout register	DTOUTR	R/W	H'FFE6 0032	H'1FE6 0032	16	Pck
Data register	DR	R/W	H'FFE6 0040	H'1FE6 0040	16	Pck
FIFO pointer clear register	FIFOCLR	W	H'FFE6 0042	H'1FE6 0042	8	Pck
DMA control register	DMACR	R/W	H'FFE6 0044	H'1FE6 0044	8	Pck
Interrupt control register 2	INTCR2	R/W	H'FFE6 0046	H'1FE6 0046	8	Pck
Interrupt status register 2	INTSTR2	R/W	H'FFE6 0048	H'1FE6 0048	8	Pck

Table 24.3 Register Configuration (2)

Register Name	Abbrev.	Power-on Reset by PRESET Pin/WDT/ H-UDI	Manual Reset by WDT/ Multiple Exception	Sleep by SLEEP Instruction	Module Standby
Command register 0	CMDR0	H'00	H'00	Retained	Retained
Command register 1	CMDR1	H'00	H'00	Retained	Retained
Command register 2	CMDR2	H'00	H'00	Retained	Retained
Command register 3	CMDR3	H'00	H'00	Retained	Retained
Command register 4	CMDR4	H'00	H'00	Retained	Retained
Command register 5	CMDR5	H'00	H'00	Retained	Retained
Command start register	CMDSTRT	H'00	H'00	Retained	Retained
Operation control register	OPCR	H'00	H'00	Retained	Retained
Card status register	CSTR	H'0x	H'0x	Retained	Retained
Interrupt control register 0	INTCR0	H'00	H'00	Retained	Retained
Interrupt control register 1	INTCR1	H'00	H'00	Retained	Retained
Interrupt status register 0	INTSTR0	H'00	H'00	Retained	Retained
Interrupt status register 1	INTSTR1	H'00	H'00	Retained	Retained
Transfer clock control register	CLKON	H'00	H'00	Retained	Retained
Command timeout control register	CTOCR	H'01	H'01	Retained	Retained
Transfer byte number count register	TBCR	H'00	H'00	Retained	Retained
Mode register	MODER	H'00	H'00	Retained	Retained
Command type register	CMDTYR	H'00	H'00	Retained	Retained
Response type register	RSPTYR	H'00	H'00	Retained	Retained
Transfer block number counter	TBNCR	H'0000	H'0000	Retained	Retained
Response register 0	RSPR0	H'00	H'00	Retained	Retained
Response register 1	RSPR1	H'00	H'00	Retained	Retained
Response register 2	RSPR2	H'00	H'00	Retained	Retained
Response register 3	RSPR3	H'00	H'00	Retained	Retained
Response register 4	RSPR4	H'00	H'00	Retained	Retained
Response register 5	RSPR5	H'00	H'00	Retained	Retained

Register Name	Abbrev.	Power-on Reset by PRESET Pin/WDT/ H-UDI	Manual Reset by WDT/ Multiple Exception	Sleep by SLEEP Instruction	Module Standby
Response register 6	RSPR6	H'00	H'00	Retained	Retained
Response register 7	RSPR7	H'00	H'00	Retained	Retained
Response register 8	RSPR8	H'00	H'00	Retained	Retained
Response register 9	RSPR9	H'00	H'00	Retained	Retained
Response register 10	RSPR10	H'00	H'00	Retained	Retained
Response register 11	RSPR11	H'00	H'00	Retained	Retained
Response register 12	RSPR12	H'00	H'00	Retained	Retained
Response register 13	RSPR13	H'00	H'00	Retained	Retained
Response register 14	RSPR14	H'00	H'00	Retained	Retained
Response register 15	RSPR15	H'00	H'00	Retained	Retained
Response register 16	RSPR16	H'00	H'00	Retained	Retained
CRC status register	RSPRD	H'00	H'00	Retained	Retained
Data timeout register	DTOUTR	H'FFFF	H'FFFF	Retained	Retained
Data register	DR	H'xxxx	H'xxxx	Retained	Retained
FIFO pointer clear register	FIFOCLR	H'00	H'00	Retained	Retained
DMA control register	DMACR	H'00	H'00	Retained	Retained
Interrupt control register 2	INTCR2	H'00	H'00	Retained	Retained
Interrupt status register 2	INTSTR2	H'0x	H'0x	Retained	Retained

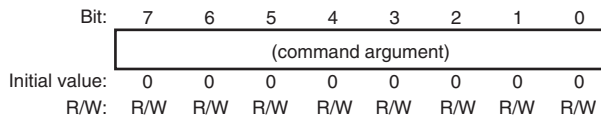
24.3.1 Command Registers 0 to 5 (CMDR0 to CMDR5)

The CMDR registers are six 8-bit registers. A command is written to CMDR as shown in table 24.4, and the command is transmitted when the CMDSTART bit in CMDSTRT is set to 1. Each command is transmitted in order from the MSB (bit 7) in CMDR0 to the LSB (bit 0) in CMDR5.

Table 24.4 CMDR Configuration

Register	Contents	Operation
CMDR0 to CMDR4	Command argument	Write command arguments.
CMDR5	CRC and End bit	Setting of CRC is unnecessary (automatic calculation). End bit is fixed to 1 and its setting is unnecessary (automatic setting). The read value is 0.

(1) CMDR0 to CMDR4



Bit	Bit Name	Initial Value	R/W	Description
7 to 0	—	All 0	R/W	Command arguments See specifications for the MMC card. Data is sequentially transmitted from CMDR0 MSB to CMDR5 LSB.

(2) CMDR5

Bit:	7	6	5	4	3	2	1	0
	CRC							End
Initial value:	0	0	0	0	0	0	0	0
R/W:	R	R	R	R	R	R	R	R

Bit	Bit Name	Initial Value	R/W	Description
7 to 1	CRC	All 0	R	These bits are always read as 0. The write value should always be 0.
0	End	0	R	This bit is always read as 0. The write value should always be 0.

24.3.2 Command Start Register (CMDSTRT)

CMDSTRT is an 8-bit readable/writable register that triggers the start of command transmission, representing the start of a command sequence. The following operations should have been completed before the command sequence starts.

- Analysis of prior command response, clearing the command response register write if necessary
- Analysis/transfer of receive data of prior command if necessary
- Preparation of transmit data of the next command if necessary
- Setting of CMDTYR, RSPTYR, TBCR and TBNCR
- Setting of CMDR0 to CMDR4

The CMDR0 to CMDR4, CMDTYR, RSPTYR, TBCR and TBNCR registers should not be changed until command transmission has ended (during the CWRE flag in CSTR has been set to 1 or until command transmit end interrupt has occurred).

Command sequences are controlled by the sequencers in both the MMCIF side and the MMC card side. Normally, these operate synchronously. However, if an error occurs or a command is aborted, these may become temporarily unsynchronized. Be careful when setting the CMDOFF bit in OPCR, issuing the CMD12 command, or processing an error in MMC mode. A new command sequence should be started only after the end of the command sequence on both the MMCIF and card sides is confirmed. See section 24.4, Operation when an error occurred.

Bit:	7	6	5	4	3	2	1	0
	—	—	—	—	—	—	—	CMD START
Initial value:	0	0	0	0	0	0	0	0
R/W:	R	R	R	R	R	R	R	R/W

Bit	Bit Name	Initial Value	R/W	Description
7 to 1	—	All 0	R	Reserved These bits are always read as 0. The write value should always be 0.
0	CMDSTART	0	R/W	Starts command transmission when 1 is written. This bit is automatically cleared to 0 after the MMCIF received the CMDSTART command. When 0 is written to this bit, operation is not affected.

24.3.3 Operation Control Register (OPCR)

OPCR is an 8-bit readable/writable register that aborts command operation, and suspends or continues data transfer.

Bit:	7	6	5	4	3	2	1	0
	CMD OFF	—	RD CONTI	DATAEN	—	—	—	—
Initial value:	0	0	0	0	0	0	0	0
R/W:	R/W	R	R/W	R/W	R	R	R	R

Bit	Bit Name	Initial Value	R/W	Description
7	CMDOFF	0	R/W	Command Off Aborts all command operations (MMCIF command sequence) when 1 is written after a command is transmitted. This bit is cleared to 0 automatically after the MMCIF received the CMDOFF command. Write enabled period: From command transmission completion to command sequence end Write of 0: Operation is not affected. Write of 1: Command sequence is forcibly aborted. Note: Do not write to this bit out of the write enable period.

Bit	Bit Name	Initial Value	R/W	Description
6	—	0	R	Reserved This bit is always read as 0. The write value should always be 0.
5	RD_CONTI	0	R/W	Read Continue Read data reception is resumed when 1 is written while the sequence has been halted by FIFO full or termination of block reading in multiple block read. This bit is cleared to 0 automatically when 1 is written and the MMCIF received the RD_CONTI command. Write enabled period: While read data reception is halted Write of 0: Operation is not affected. Write of 1: Resumes read data reception. Note: Do not write to this bit out of the write enable period.
4	DATAEN	0	R/W	Data Enable Starts a write data transmission by a command with write data. This bit is cleared automatically when 1 is written and the MMCIF received the DATAEN command. Resumes write data transmission while the sequence has been halted by FIFO empty or termination of block writing in multiple block write. Write enabled period: (1) after receiving a response to a command with write data, (2) while sequence is halted by FIFO empty, (3) when one block writing in multiple block write is terminated. Write of 0: Operation is not affected. Write of 1: Starts or resumes write data transmission. Note: Do not write to this bit out of the write enable period.
3 to 0	—	All 0	R	Reserved These bits are always read as 0. The write value should always be 0.

In write data transmission, the contents of the command response and data response should be analyzed, and then transmission should be triggered. In addition, the data transmission should be temporarily halted by FIFO full/empty, and it should be resumed when the preparation has been completed.

In multiple block transfer, the transfer should be temporarily halted at every block break to select either to continue to the next block or to abort the multiple block transfer command by issuing the CMD12 command. To continue to the next block, the RD_CONTI and DATAEN bits should be set to 1. To issue the CMD12 command, the CMDOFF bit should be set to 1 to abort the command sequence on the MMCIF side. When using the auto-mode for a pre-defined multiple block transfer, the setting of the RD_CONTI bit or the DATAEN bit between blocks can be omitted.

24.3.4 Card Status Register (CSTR)

CSTR indicates the MMCIF status during command sequence execution.

Bit:	7	6	5	4	3	2	1	0
	BUSY	FIFO_ FULL	FIFO_ EMPTY	CWRE	DTBUSY	DTBUSY _TU	—	REQ
Initial value:	0	0	0	0	0	—	0	0
R/W:	R	R	R	R	R	R	R	R

Bit	Bit Name	Initial Value	R/W	Description
7	BUSY	0	R	Command Busy Indicates command execution status. When the CMDOFF bit in OPCR is set to 1, this bit is cleared to 0 because the MMCIF command sequence is aborted. 0: Idle state waiting for a command, or data busy state 1: Command sequence execution in progress
6	FIFO_FULL	0	R	FIFO Full This bit is set to 1 when the FIFO becomes full while data is being received from the card, and cleared to 0 when RD_CONTI is set to 1 or the command sequence is completed. Indicates whether the FIFO is empty or not. 0: The FIFO is empty. 1: The FIFO is full.

Bit	Bit Name	Initial Value	R/W	Description
5	FIFO_EMPTY	0	R	<p>FIFO Empty</p> <p>This bit is set to 1 when the FIFO becomes empty while data is being sent to the card, and cleared to 0 when DATA_EN is set to 1 or the command sequence is completed.</p> <p>Indicates whether the FIFO holds data or not.</p> <p>0: The FIFO includes data.</p> <p>1: The FIFO is empty.</p>
4	CWRE	0	R	<p>Command Register Write Enable</p> <p>Indicates whether the CMDR command is being transmitted or has been transmitted.</p> <p>0: The CMDR command has been transmitted, or the CMDSTART bit in CMDSTRT has not been set yet, so the new command can be written.</p> <p>1: The CMDR command is waiting for transmission or is being transmitted. If a new command is written, a malfunction will result.</p>
3	DTBUSY	0	R	<p>Data Busy</p> <p>Indicates command execution status. Indicates that the card is in the busy state after the command sequence of a command without data transfer which includes the busy state in the response, or a command with write data has been ended.</p> <p>0: Idle state waiting for a command, or command sequence execution in progress</p> <p>1: Card is in the data busy state after command sequence termination.</p>
2	DTBUSY_TU	Undefined	R	<p>Data Busy Pin Status</p> <p>Indicates the MMCDAT pin level. By reading this bit, the MMCDAT level can be monitored.</p> <p>0: A low level is input to the MMCDAT pin.</p> <p>1: A high level is input to the MMCDAT pin.</p>
1	—	0	R	<p>Reserved</p> <p>This bit is always read as 0. The write value should always be 0.</p>

Bit	Bit Name	Initial Value	R/W	Description
0	REQ	0	R	<p>Interrupt Request</p> <p>Indicates whether an interrupt is requested or not. When any of the INTSTR0, INTSTR1 and INTSTR2 flags is set, this bit is set to 1. Setting of the INTSTR0, INTSTR1 and INTSTR2 flags is controlled by the enable bits in INTCR0, INTSTR1 and INTCR2.</p> <p>0: No interrupt requested. 1: Interrupt requested.</p>

24.3.5 Interrupt Control Registers 0 to 2 (INTCR0 to INTCR2)

The INTCR registers enable or disable interrupts.

(1) INTCR0

Bit:	7	6	5	4	3	2	1	0
	FEIE	FFIE	DRPIE	DTIE	CRPIE	CMDIE	DBS YIE	BTIE
Initial value:	0	0	0	0	0	0	0	0
R/W:	R/W	R/W	R/W	R/W	R/W	R/W	R/W	R/W

Bit	Bit Name	Initial Value	R/W	Description
7	FEIE	0	R/W	<p>FIFO Empty Interrupt Flag Setting Enable</p> <p>0: Disables FIFO empty interrupt (disables FEI flag setting). 1: Enables FIFO empty interrupt (enables FEI flag setting).</p>
6	FFIE	0	R/W	<p>FIFO Full Interrupt Flag Setting Enable</p> <p>0: Disables FIFO full interrupt (disables FFI flag setting). 1: Enables FIFO full interrupt (enables FFI flag setting).</p>
5	DRPIE	0	R/W	<p>Data Response Interrupt Flag Setting Enable</p> <p>0: Disables data response interrupt (disables DPRI flag setting). 1: Enables data response interrupt (enables DPRI flag setting).</p>

Bit	Bit Name	Initial Value	R/W	Description
4	DTIE	0	R/W	Data Transfer End Interrupt Flag Setting Enable 0: Disables data transfer end interrupt (disables DTI flag setting). 1: Enables data transfer end interrupt (enables DTI flag setting).
3	CRPIE	0	R/W	Command Response Receive End Interrupt Flag Setting Enable 0: Disables command response receive end interrupt (disables CRPI flag setting). 1: Enables command response receive end interrupt (enables CRPI flag setting).
2	CMDIE	0	R/W	Command Transmit End Interrupt Flag Setting Enable 0: Disables command transmit end interrupt (disables CMDI flag setting). 1: Enables command transmit end interrupt (enables CMDI flag setting).
1	DBSYIE	0	R/W	Data Busy End Interrupt Flag Setting Enable 0: Disables data busy end interrupt (disables DBSYI flag setting). 1: Enables data busy end interrupt (enables DBSYI flag setting).
0	BTIE	0	R/W	Multiple block Transfer End Flag Setting Enable 0: Disables multiple block transfer end flag setting 1: Enables multiple block transfer end flag setting

(2) INTCR1

Bit:	7	6	5	4	3	2	1	0
	INTR Q2E	INTR Q1E	INTR Q0E	—	—	CRCE RIE	DTE RIE	CTE RIE
Initial value:	0	0	0	0	0	0	0	0
R/W:	R/W	R/W	R/W	R	R	R/W	R/W	R/W

Bit	Bit Name	Initial Value	R/W	Description
7	INTRQ2E	0	R/W	ERR Interrupt Enable 0: Disables ERR interrupt. 1: Enables ERR interrupt.
6	INTRQ1E	0	R/W	TRAN Interrupt Enable 0: Disables TRAN interrupt. 1: Enables TRAN interrupt.
5	INTRQ0E	0	R/W	FSTAT Interrupt Enable 0: Disables FSTAT interrupt. 1: Enables FSTAT interrupt.
4, 3	—	All 0	R	Reserved These bits are always read as 0. The write value should always be 0.
2	CR CERIE	0	R/W	CRC Error Interrupt Flag Setting Enable 0: Disables CRC error interrupt (disables CRCERI flag setting). 1: Enables CRC error interrupt (enables CRCERI flag setting).
1	DTE RIE	0	R/W	Data Timeout Error Interrupt Flag Setting Enable 0: Disables data timeout error interrupt (disables DTERI flag setting). 1: Enables data timeout error interrupt (enables DTERI flag setting).
0	CTE RIE	0	R/W	Command Timeout Error Interrupt Flag Setting Enable 0: Disables command timeout error interrupt (disables CTERI flag setting). 1: Enables command timeout error interrupt (enables CTERI flag setting).

(3) INTCR2

Bit:	7	6	5	4	3	2	1	0
	INTR Q3E	—	—	—	—	—	—	FRDYIE
Initial value:	0	0	0	0	0	0	0	0
R/W:	R/W	R	R	R	R	R	R	R/W

Bit	Bit Name	Initial Value	R/W	Description
7	INTRQ3E	0	R/W	FRDY Interrupt Enable 0: Disables FRDY interrupt. 1: Enables FRDY interrupt.
6 to 1	—	All 0	R	Reserved These bits are always read as 0. The write value should always be 0.
0	FRDYIE	0	R/W	FIFO Ready Interrupt Enable 0: Disables FIFO ready interrupt (disables FRDY flag setting). 1: Enables FIFO ready interrupt (enables FRDY flag setting).

24.3.6 Interrupt Status Registers 0 to 2 (INTSTR0 to INTSTR2)

The INTSTR registers enable or disable MMCIF interrupts FSTAT, TRAN, ERR and FRDY, and interrupt flags.

(1) INTSTR0

Bit:	7	6	5	4	3	2	1	0
	FEI	FFI	DRPI	DTI	CRPI	CMDI	DBSYI	BTI
Initial value:	0	0	0	0	0	0	0	0
R/W:	R/W	R/W	R/W	R/W	R/W	R/W	R/W	R/W

Bit	Bit Name	Initial Value	R/W	Description	Interrupt output
7	FEI	0	R/W	FIFO Empty Interrupt Flag 0: No interrupt [Clearing condition] Write 0 after reading FEI = 1. (Writing 1 is invalid) 1: Interrupt requested [Setting condition] When FIFO becomes empty while FEIE = 1 and data is being transmitted (when the FIFO_EMPTY bit in CSTR is set)	FSTAT
6	FFI	0	R/W	FIFO Full Interrupt Flag 0: No interrupt [Clearing condition] Write 0 after reading FFI = 1. (Writing 1 is invalid) 1: Interrupt requested [Setting condition] When FIFO becomes full while FFIE = 1 and data is being received (when the FIFO_FULL bit in CSTR is set)	FSTAT

Bit	Bit Name	Initial Value	R/W	Description	Interrupt output
5	DRPI	0	R/W	Data Response Interrupt Flag 0: No interrupt [Clearing condition] Write 0 after reading DRPI = 1. (Writing 1 is invalid) 1: Interrupt requested [Setting condition] When the CRC status is received while DRPIE = 1.	TRAN
4	DTI	0	R/W	Data Transfer End Interrupt Flag 0: No interrupt [Clearing condition] Write 0 after reading DTI = 1. (Writing 1 is invalid) 1: Interrupt requested [Setting condition] When the number of bytes of data transfer specified in TBCR ends while DTIE = 1.	TRAN
3	CRPI	0	R/W	Command Response Receive End Interrupt Flag 0: No interrupt [Clearing condition] Write 0 after reading CRPI = 1. (Writing 1 is invalid) 1: Interrupt requested [Setting condition] When command response reception ends while CRPIE = 1.	TRAN

Bit	Bit Name	Initial Value	R/W	Description	Interrupt output
2	CMDI	0	R/W	<p>Command Transmit End Interrupt Flag</p> <p>0: No interrupt [Clearing condition] Write 0 after reading CMDI = 1. (Writing 1 is invalid)</p> <p>1: Interrupt requested [Setting condition] When command transmission ends while CMDIE = 1. (When the CWRE bit in CSTR is cleared.)</p>	TRAN
1	DBSYI	0	R/W	<p>Data Busy End Interrupt Flag</p> <p>0: No interrupt [Clearing condition] Write 0 after reading DBSYI = 1. (Writing 1 is invalid)</p> <p>1: Interrupt requested [Setting condition] When data busy state is canceled while DBSYIE = 1. (When the DTBUSY bit in CSTR is cleared.)</p>	TRAN
0	BTI	0	R/W	<p>Multiple block Transfer End Flag</p> <p>0: No interrupt [Clearing condition] Write 0 after reading BTI = 1. (Writing 1 is invalid)</p> <p>1: Interrupt requested [Setting condition] When the number of bytes of data transfer specified in TBCR is reached while BTIE = 1 and TBNCR = 0.</p>	TRAN

(2) INTSTR1

Bit:	7	6	5	4	3	2	1	0
	—	—	—	—	—	CRC ERI	DTERI	CTERI
Initial value:	0	0	0	0	0	0	0	0
R/W:	R	R	R	R	R	R/W	R/W	R/W

Bit	Bit Name	Initial Value	R/W	Description	Interrupt output
7 to 3	—	All 0	R	Reserved These bits are always read as 0. The write value should always be 0.	—
2	CRCERI	0	R/W	CRC Error Interrupt Flag 0: No interrupt [Clearing condition] Write 0 after reading CRCERI = 1. (Writing 1 is invalid) 1: Interrupt requested [Setting condition] When a CRC error for command response or receive data or a CRC status error for transmit data response is detected while CRCERIE = 1. For the command response, CRC is checked when the RTY4 in RSPTYR is enabled.	ERR
1	DTERI	0	R/W	Data Timeout Error Interrupt Flag 0: No interrupt [Clearing condition] Write 0 after reading DTERI = 1. (Writing 1 is invalid) 1: Interrupt requested [Setting condition] When a data timeout error specified in DTOUTR occurs while DTERIE = 1.	ERR

Bit	Bit Name	Initial Value	R/W	Description	Interrupt output
0	CTERI	0	R/W	Command Timeout Error Interrupt Flag 0: No interrupt [Clearing condition] Write 0 after reading CTERI = 1. (Writing 1 is invalid) 1: Interrupt requested [Setting condition] When a command timeout error specified in TOCR occurs while CTERIE = 1.	ERR

(3) INTSTR2

Bit:	7	6	5	4	3	2	1	0
	—	—	—	—	—	—	FRDY _TU	FRDYI
Initial value:	0	0	0	0	0	0	—	0
R/W:	R	R	R	R	R	R	R	R/W

Bit	Bit Name	Initial Value	R/W	Description	Interrupt output
7 to 2	—	All 0	R	Reserved These bits are always read as 0. The write value should always be 0.	—
1	FRDY_TU	Undefined	R	FIFO Ready Flag Regardless of set values of DMAEN and FRDYIE, this bit is read as 0 when FIFO data amount matches the asserting condition set in DMACR[2:0], and otherwise, read as 1.	—
0	FRDYI	0	R/W	FIFO Ready Interrupt Flag 0: No interrupt [Clearing condition] Write 0 after reading FRDYI = 1. (Writing 1 is invalid) 1: Interrupt requested [Setting condition] When remained FIFO data does not match the assert condition set in DMACR while DMAEN = 1 and FRDYIE = 1. Note: FRDYI will be set on the setting condition after clearing. To clear it, disable the flag setting by FRDYIE in INTCR2.	FRDY

24.3.7 Transfer Clock Control Register (CLKON)

CLKON controls the transfer clock frequency and clock ON/OFF.

At this time, use a sufficiently slow clock for transfer through open-drain type output in MMC mode.

In a command sequence, do not perform clock ON/OFF or frequency modification.

Bit:	7	6	5	4	3	2	1	0
	CLKON	—	—	—	CSEL3	CSEL2	CSEL1	CSEL0
Initial value:	0	0	0	0	0	0	0	0
R/W:	R/W	R	R	R	R/W	R/W	R/W	R/W

Bit	Bit Name	Initial Value	R/W	Description
7	CLKON	0	R/W	Clock On 0: Stops the transfer clock output from the MMCCLK pin. 1: Outputs the transfer clock from the MMCCLK pin.
6 to 4	—	All 0	R	Reserved These bits are always read as 0. The write value should always be 0.
3	CSEL3	0	R/W	Transfer Clock Frequency Select
2	CSEL2	0	R/W	0000: Reserved
1	CSEL1	0	R/W	0001: Uses the 1/2-divided peripheral clock (Pck) as a transfer clock.
0	CSEL0	0	R/W	0010: Uses the 1/4-divided peripheral clock as a transfer clock. 0011: Uses the 1/8-divided peripheral clock as a transfer clock. 0100: Uses the 1/16-divided peripheral clock as a transfer clock. 0101: Uses the 1/32-divided peripheral clock as a transfer clock. 0110: Uses the 1/64-divided peripheral clock as a transfer clock. 0111: Uses the 1/128-divided peripheral clock as a transfer clock. 1000: Uses the 1/256-divided peripheral clock as a transfer clock. 1001 to 1111: Setting prohibited

24.3.8 Command Timeout Control Register (CTOCR)

CTOCR specifies the period to generate a timeout for the command response.

The counter (CTOUTC), to which the peripheral bus does not have access, counts the transfer clock to monitor the command timeout. The initial value of CTOUTC is 0, and CTOUTC starts counting the transfer clock from the start of command transmission. CTOUTC is cleared and stops counting the transfer clock when command response reception has been completed, or when the command sequence has been aborted by setting the CMDOFF bit to 1.

When the command response cannot be received, CTOUTC continues counting the transfer clock, and enters the command timeout error state when the number of transfer clock cycles reaches the number specified in CTOCR. When the CTERIE bit in INTCR1 is set to 1, the CTERI flag in INTSTR1 is set. As CTOUTC continues counting transfer clock, the CTERI flag setting condition is repeatedly generated. To perform command timeout error handling, the command sequence should be aborted by setting the CMDOFF bit to 1, and then the CTERI flag should be cleared to prevent extra-interrupt generation.

Bit:	7	6	5	4	3	2	1	0
	—	—	—	—	—	—	—	CTSEL0
Initial value:	0	0	0	0	0	0	0	1
R/W:	R	R	R	R	R	R	R	R/W

Bit	Bit Name	Initial Value	R/W	Description
7 to 1	—	All 0	R	Reserved These bits are always read as 0. The write value should always be 0.
0	CTSEL0	1	R/W	Command Timeout Select 0: 128 transfer clock cycles from command transmission completion to response reception completion 1: 256 transfer clock cycles from command transmission completion to response reception completion Transfer clock: MMCCLK

Note: If R2 response (17-byte command response) is requested and CTSEL0 is cleared to 0, a timeout is generated during response reception. Therefore, set CTSEL0 to 1.

24.3.9 Transfer Byte Number Count Register (TBCR)

TBCR is an 8-bit readable/writable register that specifies the number of bytes to be transferred (block size) for each single block transfer command. TBCR specifies the number of data block bytes not including the start bit, end bit, and CRC.

The multiple block transfer command corresponds to the number of bytes of each data block. This setting is ignored by the stream transfer command.

Bit:	7	6	5	4	3	2	1	0
	—	—	—	—	C3	C2	C1	C0
Initial value:	0	0	0	0	0	0	0	0
R/W:	R	R	R	R	R/W	R/W	R/W	R/W

Bit	Bit Name	Initial Value	R/W	Description
7 to 4	—	All 0	R	Reserved These bits are always read as 0. The write value should always be 0.
3	CS3	0	R/W	Transfer Data Block Size
2	CS2	0	R/W	Four or more bytes should be set before executing a command with data transfer.
1	CS1	0	R/W	0000: 1 byte (for forced erase)
0	CS0	0	R/W	0001: 2 bytes 0010: 4 bytes 0011: 8 bytes 0100: 16 bytes 0101: 32 bytes 0110: 64 bytes 0111: 128 bytes 1000: 256 bytes 1001: 512 bytes 1010: 1024 bytes 1011: 2048 bytes 1100 to 1111: Setting prohibited

24.3.10 Mode Register (MODER)

MODER is an 8-bit readable/writable register that specifies the MMCIF operating mode. The following sequence should be repeated when the MMCIF uses the multimedia card: Send a command, wait for the end of the command sequence and the end of the data busy state, and send a next command.

The series of operations from command sending, command response reception, data transmission/reception, and data response reception is called as the command sequence. The command sequence starts from sending a command by setting the CMDSTART bit in CMDSTRT to 1, and ends when all necessary data transmission/reception and response reception have been completed. The multimedia card supports the data busy state such that only the specific command is accepted to write/erase data to/from the flash memory in the card during command sequence execution and after command sequence execution has ended. The data busy state is indicated by a low level output from the card side to the MMCDAT pin.

Bit:	7	6	5	4	3	2	1	0
	—	—	—	—	—	—	—	MODE
Initial value:	0	0	0	0	0	0	0	0
R/W:	R	R	R	R	R	R	R	R/W

Bit	Bit Name	Initial Value	R/W	Description
7 to 1	—	All 0	R	Reserved These bits are always read as 0. The write value should always be 0.
0	MODE	0	R/W	Operating Mode Specifies the MMCIF operating mode. 0: Operates in MMC mode 1: Setting prohibited

24.3.11 Command Type Register (CMDTYR)

CMDTYR is an 8-bit readable/writable register that specifies the command format in conjunction with RSPTYR. Bits TY1 and TY0 specify the existence and direction of transfer data, and bits TY6 to TY2 specify the additional settings. All of bits TY6 to TY2 should be cleared to 0 or only one of them should be set to 1. Bits TY6 to TY2 can only be set to 1 if the corresponding settings in TY1 and TY0 allow that setting. If these bits are not set correctly, the operation cannot be guaranteed. When executing a single block transaction, set TY1 and TY0 to 01 or 10, and TY6 to TY2 to all 0s.

Bit:	7	6	5	4	3	2	1	0
	—	TY6	TY5	TY4	TY3	TY2	TY1	TY0
Initial value:	0	0	0	0	0	0	0	0
R/W:	R	R/W	R/W	R/W	R/W	R/W	R/W	R/W

Bit	Bit Name	Initial Value	R/W	Description
7 to 5	—	All 0	R	Reserved These bits are always read as 0. The write value should always be 0.
6	TY6	0	R/W	Type 6 Specifies a predefined multiple block transaction. TY[1:0] should be set to 01 or 10. When using the command set to this bit, it is necessary to specify the transfer block size and the transfer block number in the TBCR and TBNCR respectively.
5	TY5	0	R/W	Type 5 Specifies a multiple block transaction when using secure MMC. TY[1:0] should be set to 01 or 10. Using the command to set to this bit, it is necessary to specify the transfer block size and the transfer block number in the TBCR and TBNCR respectively.
4	TY4	0	R/W	Type 4 Set this bit to 1 when specifying the CMD12 command. Bits TY1 and TY0 should be set to 00.

Bit	Bit Name	Initial Value	R/W	Description
3	TY3	0	R/W	Type 3 Set this bit to 1 when specifying stream transfer. Bits TY1 and TY0 should be set to 01 or 10. The command sequence of the stream transfer specified by this bit ends when it is aborted by the CMD12 command.
2	TY2	0	R/W	Type 2 Set this bit to 1 when specifying a multiple block transfer. Bits TY1 and TY0 should be set to 01 or 10. The command sequence of the multiple block transfer specified by this bit ends when it is aborted by the CMD12 command.
1	TY1	0	R/W	Types 1 and 0
0	TY0	0	R/W	These bits specify the existence and direction of transfer data. 00: A command without data transfer 01: A command with read data reception 10: A command with write data transmission 11: Setting prohibited

24.3.12 Response Type Register (RSPTYR)

RSPTYR is an 8-bit readable/writable register that specifies command format in conjunction with CMDTYR. Bits RTY2 to RTY0 specify the number of response bytes, and bits RTY6 to RTY4 specify the additional settings.

Bit:	7	6	5	4	3	2	1	0
	—	RTY6	RTY5	RTY4	—	RTY2	RTY1	RTY0
Initial value:	0	0	0	0	0	0	0	0
R/W:	R	R/W	R/W	R/W	R	R/W	R/W	R/W

Bit	Bit Name	Initial Value	R/W	Description
7	—	0	R	Reserved This bit is always read as 0. The write value should always be 0.

Bit	Bit Name	Initial Value	R/W	Description
6	RTY6	0	R/W	<p>Response Type 5</p> <p>Sets data busy status from the MMC card.</p> <p>This bit is set to perform CRC check for the response (R2 response of MMC mode) when the command that reads, as a response, the register value of the multimedia card, including CRC7, is executed.</p> <p>RTY2 to RTY0 must be set to 101.</p>
5	RTY5	0	R/W	<p>Response Type 5</p> <p>Sets data busy status from the MMC card.</p> <p>0: A command without data busy 1: A command with data busy</p>
4	RTY4	0	R/W	<p>Response Type 4</p> <p>Specifies that the command response CRC is checked through CRC7. Bits RTY2 to RTY0 should be set to 100.</p> <p>0: Does not check CRC through CRC7 1: Checks CRC through CRC7</p>
3	—	0	R	<p>Reserved</p> <p>These bits are always read as 0. The write value should always be 0.</p>
2	RTY2	0	R/W	Response Types 2 to 0
1	RTY1	0	R/W	These bits specify the number of command response bytes.
0	RTY0	0	R/W	<p>000: A command needs no command response.</p> <p>001: Setting prohibited</p> <p>010: Setting prohibited</p> <p>011: Setting prohibited</p> <p>100: A command needs 6-byte command responses. Specified by R1, R1b, R3, R4, and R5 responses.</p> <p>101: A command needs a 17-byte command response. Specified by R2 response.</p> <p>110: Setting prohibited</p> <p>111: Setting prohibited</p>

Table 24.5 summarizes the correspondence between the commands described in the MultiMediaCard System Specification Version 3.1 and the settings of the CMDTYR and RSPTYR registers.

Table 24.5 Correspondence between Commands and Settings of CMDTYR and RSPTYR

CMD INDEX	Abbreviation	resp	CMDTYR					RSPTYR				
			6	5	4	3	2	[1:0]	6	5	4	[2:0]
CMD0	GO_IDLE_STATE	—						00				000
CMD1	SEND_OP_COND	R3						00				100
CMD2	ALL_SEND_CID	R2						00	* ⁴			101
CMD3	SET_RELATIVE_ADDR	R1						00			* ⁴	100
CMD4	SET_DSR	—						00				000
CMD7	SELECT/DESELECT_CARD	R1b						00		1	* ⁴	100
CMD9	SEND_CSD	R2						00	* ⁴			101
CMD10	SEND_CID	R2						00	* ⁴			101
CMD11	READ_DAT_UNTIL_STOP	R1				1		01			* ⁴	100
CMD12	STOP_TRANSMISSION	R1b			1			00		1	* ⁴	100
CMD13	SEND_STATUS	R1						00			* ⁴	100
CMD15	GO_INACTIVE_STATE	—						00				000
CMD16	SET_BLOCKLEN	R1						00			* ⁴	100
CMD17	READ_SINGLE_BLOCK	R1		* ³				01			* ⁴	100
CMD18	READ_MULTIPLE_BLOCK	R1	* ²					* ²	01		* ⁴	100
CMD20	WRITE_DAT_UNTIL_STOP	R1				1		10			* ⁴	100
CMD23* ⁶	SET_BLOCK_COUNT	R1						00			* ⁴	100
CMD24	WRITE_BLOCK	R1		* ³				10			* ⁴	100
CMD25	WRITE_MULTIPLE_BLOCK	R1	* ²					* ²	10		* ⁴	100
CMD26	PROGRAM_CID	R1						10			* ⁴	100
CMD27	PROGRAM_CSD	R1						10			* ⁴	100
CMD28	SET_WRITE_PROT	R1b						00		1	* ⁴	100
CMD29	CLR_WRITE_PROT	R1b						00		1	* ⁴	100
CMD30	SEND_WRITE_PROT	R1						01			* ⁴	100

CMD		resp	CMDTYR					RSPTYR				
INDEX	Abbreviation		6	5	4	3	2	[1:0]	6	5	4	[2:0]
CMD32* ¹	TAG_SECTOR_START	R1						00			* ⁴	100
CMD33* ¹	TAG_SECTOR_END	R1						00			* ⁴	100
CMD34* ¹	UNTAG_SECTOR	R1						00			* ⁴	100
CMD35	TAG_ERASE_GROUP_START	R1						00			* ⁴	100
CMD36	TAG_ERASE_GROUP_END	R1						00			* ⁴	100
CMD37* ¹	UNTAG_ERASE_GROUP	R1						00			* ⁴	100
CMD38	ERASE	R1b						00		1	* ⁴	100
CMD39	FAST_IO	R4						00			* ⁴	100
CMD40	GO_IRQ_STATE	R5						00			* ⁴	100
CMD42	LOCK_UNLOCK	R1b						10		1	* ⁴	100
CMD55	APP_CMD	R1						00			* ⁴	100
CMD56	GEN_CMD	R1b						* ⁵		1	* ⁴	100

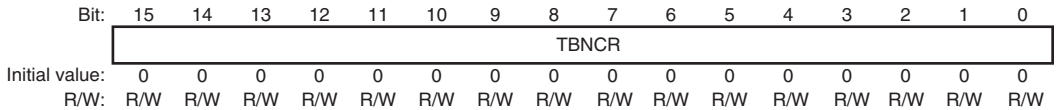
Notes: A blank: Means value 0.

1. These commands are not supported by MMCA Ver3.1 and later cards.
2. Set bits TY6 and TY2 = B'10 when the number of blocks for transfer is set in advance.
Set bits TY6 and TY2 = B'01 when the number of blocks for transfer is not set.
3. Set this bit when executing multiple-block transfer with use of secure MMC.
4. Set this bit to 1 when checking CRC of a command response.
5. Set these bits to B'01 when reading and B'10 when writing.
6. This command was newly added in MMCA Ver.3.1.

24.3.13 Transfer Block Number Counter (TBNCR)

A value other than 0 must be written to the TBNCR register if a multiple block transfer is selected through the TY5 and TY6 bits in the CMDTYR. Set the transfer block number in the TBNCR.

The value of TBNCR is decremented by one as each block transfer is executed and the command sequence ends when the TBNCR value equals 0.



Bit	Bit Name	Initial Value	R/W	Description
15 to 0	TBNCR	All 0	R/W	Transfer Block Number Counter [Clearing condition] When the specified number of blocks are transferred or 0 is written to TBNCR.

24.3.14 Response Registers 0 to 16, D (RSPR0 to RSPR16, RSPRD)

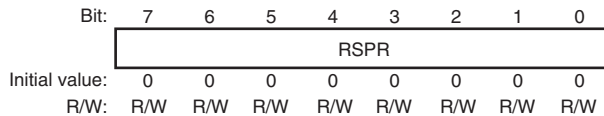
RSPR0 to RSPR16 are command response registers, which are seventeen 8-bit registers. RSPRD is an 8-bit CRC status register.

The number of command response bytes differs according to the command. The number of command response bytes can be specified by RSPTYR in the MMCIF. The command response is shifted-in from bit 0 in RSPR16, and shifted to the number of command response bytes \times 8 bits. Table 24.6 summarizes the correspondence between the number of command response bytes and valid RSPR register.

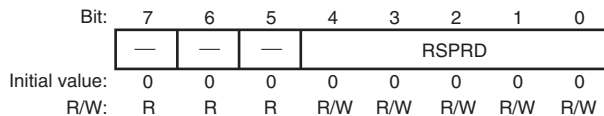
Table 24.6 Correspondence between Command Response Byte Number and RSPR

MMC Mode Response		
RSPR registers	6 bytes (R1, R1b, R3, R4, R5)	17 bytes (R2)
RSPR0	—	1st byte
RSPR1	—	2nd byte
RSPR2	—	3rd byte
RSPR3	—	4th byte
RSPR4	—	5th byte
RSPR5	—	6th byte
RSPR6	—	7th byte
RSPR7	—	8th byte
RSPR8	—	9th byte
RSPR9	—	10th byte
RSPR10	—	11th byte
RSPR11	1st byte	12th byte
RSPR12	2nd byte	13th byte
RSPR13	3rd byte	14th byte
RSPR14	4th byte	15th byte
RSPR15	5th byte	16th byte
RSPR16	6th byte	17th byte

RSPR0 to RSPR16 are simple shift registers. A command response that has been shifted in is not automatically cleared, and it is continuously shifted until it is shifted out from bit 7 in RSPR0. To clear unnecessary bytes to H'00, write an arbitrary value to each RSPR.

(1) RSPR0 to RSPR16

Bit	Bit Name	Initial Value	R/W	Description
7 to 0	RSPR	H'00	R/W	These bits are cleared to H'00 by writing an arbitrary value. RSPR0 to RSPR16 comprise a continuous 17-byte shift register.

(2) RSPRD

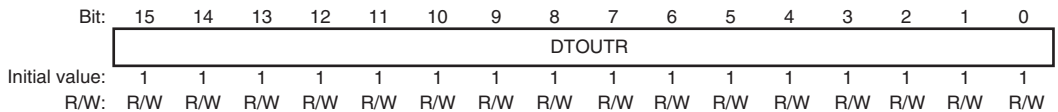
Bit	Bit Name	Initial Value	R/W	Description
7 to 5	—	All 0	R	Reserved These bits are always read as 0. The write value should always be 0.
4 to 0	RSPRD	00000	R/W	CRC status [Clearing condition] When writing any value to these bits, cleared to B'00000. CRC status is stored. CRC status is command response from the card when data is written into the MMC card.

24.3.15 Data Timeout Register (DTOUTR)

DTOUTR specifies the period to generate a data timeout. The 16-bit counter (DTOUTC) and a prescaler, to which the peripheral bus does not have access, count the peripheral clock to monitor the data timeout. The prescaler always counts the peripheral clock, and outputs a count pulse for every 10,000 peripheral clock cycles. The initial value of DTOUTC is 0, and DTOUTC starts counting the prescaler output from the start of the command sequence. DTOUTC is cleared when the command sequence has ended, or when the command sequence has been aborted by setting the CMDOFF bit to 1, after which the DTOUTC stops counting the prescaler output.

When the command sequence does not end, DTOUTC continues counting the prescaler output, and enters the data timeout error states when the number of prescaler outputs reaches the number specified in DTOUTR. When the DTERIE bit in INTCR1 is set to 1, the DTERI flag in INTSTR1 is set. As DTOUTC continues counting prescaler output, the DTERI flag setting condition is repeatedly generated. To perform data timeout error handling, the command sequence should be aborted by setting the CMDOFF bit to 1, and then the DTERI flag should be cleared to prevent extra-interrupt generation.

For a command with data busy status, data timeout cannot be monitored since the command sequence is terminated before entering the data busy state. Timeout in the data busy state should be monitored by firmware.



Bit	Bit Name	Initial Value	R/W	Description
15 to 0	DTOUTR	All 1	R/W	Data Timeout Time/10,000 Data timeout time: Peripheral clock cycle × DTOUTR setting value × 10,000.

24.3.16 Data Register (DR)

DR is a register for reading/writing FIFO data.

Word/byte access is enabled to addresses of this register.



Bit	Bit Name	Initial Value	R/W	Description
15 to 0	DR	—	R/W	Register for reading/writing FIFO data. Word/byte access is enabled. When DR is accessed in words, the upper and lower bytes are transmitted or received in that order. Word access and byte access can be done in random order. However, (DR address + 1) cannot be accessed in bytes.

The following shows examples of DR access.

When data is written to DR in the following steps 1 to 4, the transmit data is stored in the FIFO as shown in figure 24.2.

1. Write word data H'0123 to DR.
2. Write byte data H'45 to DR.
3. Write word data H'6789 to DR.
4. Write byte data H'AB to DR.

When the receive data is stored in the FIFO as shown in figure 24.2 (for example, after data is started to be received while the FIFO is empty and data is received in the order of H'01, H'23, ..., H'AB), data can be read from DR in the following steps 5 to 8.

5. Read byte data H'01 from DR.
6. Read word data H'2345 from DR.
7. Read byte data H'67 from DR.
8. Read word data H'89AB from DR.

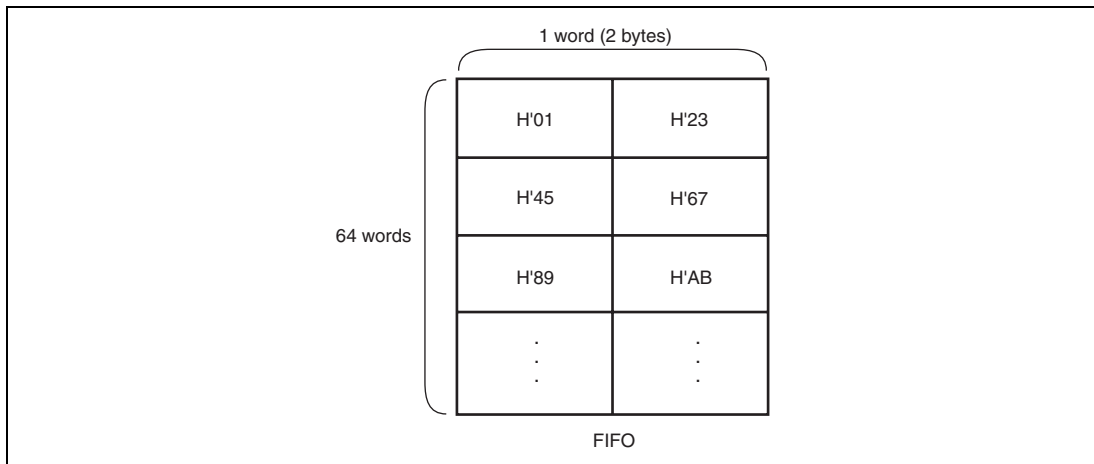


Figure 24.2 DR Access Example

24.3.17 FIFO Pointer Clear Register (FIFOCLR)

The FIFO write/read pointer is cleared by writing an arbitrary value to FIFOCLR.

Bit:	7	6	5	4	3	2	1	0
	FIFOCLR							
Initial value:	0	0	0	0	0	0	0	0
R/W:	W	W	W	W	W	W	W	W

Bit	Bit Name	Initial Value	R/W	Description
7 to 0	FIFOCLR	H'00	W	The FIFO pointer is cleared by writing an arbitrary value to this register.

24.3.18 DMA Control Register (DMACR)

DMACR sets DMA request signal output. DMAEN enables or disables a DMA request signal. The DMA request signal is output based on a value that has been set to SET2 to SET0.

Bit:	7	6	5	4	3	2	1	0
	DMAEN	AUTO	—	—	—	SET2	SET1	SET0
Initial value:	0	0	0	0	0	0	0	0
R/W:	R/W	R/W	R	R	R	R/W	R/W	R/W

Bit	Bit Name	Initial Value	R/W	Description
7	DMAEN	0	R/W	DMA Enable 0: Disables output of DMA request signal. 1: Enables output of DMA request signal.
6	AUTO	0	R/W	Auto Mode for pre-define multiple block transfer using DMA transfer 0: Disable auto mode 1: Enable auto mode
5 to 3	—	All 0	R	Reserved These bits are always read as 0. The write value should always be 0.
2	SET2	0	R/W	DMA Request Signal Assert Condition
1	SET1	0	R/W	Sets DMA request signal assert condition.
0	SET0	0	R/W	000: Not output 001: FIFO remained data is 1/4 or less of FIFO capacity. 010: FIFO remained data is 1/2 or less of FIFO capacity. 011: FIFO remained data is 3/4 or less of FIFO capacity. 100: FIFO remained data is 1 byte or more. 101: FIFO remained data is 1/4 or more of FIFO capacity. 110: FIFO remained data is 1/2 or more of FIFO capacity. 111: FIFO remained data is 3/4 or more of FIFO capacity.

24.4 Operation

The multimedia card is an external storage media that can be easily connected or disconnected. The MMCIF operates in MMC mode.

Insert a card and supply power to it. Then operate the MMCIF by applying the transfer clock after setting an appropriate transfer clock frequency.

Do not connect or disconnect the card during command sequence execution or in the data busy state.

24.4.1 Operations in MMC Mode

MMC mode is an operating mode in which the transfer clock is output from the MMCCLK pin, command transmission/response receive occurs via the MMCCMD pin, and data is transmitted/received via the MMCDAT pin. In this mode the next command can be issued while data is being transmitted/received.

This feature is efficient for multiple block or stream transfer. In this case, the next command is the CMD12 command, which aborts the current command sequence.

In MMC mode, broadcast commands that simultaneously issue commands to multiple cards are supported. After information of the inserted cards is recognized by a broadcast command, a relative address is given to each card. One card is selected by the relative address, other cards are deselected, and then various commands are issued to the selected card.

Commands in MMC mode are basically classified into three types: broadcast, relative address, and flash memory operation commands. The card can be operated by issuing these commands appropriately according to the card state.

(1) Operation of Broadcast Commands

CMD0, CMD1, CMD2, and CMD4 are broadcast commands. These commands and the CMD3 command comprise a sequence assigning relative addresses to individual cards. In this sequence, the CMD output format is open drain, and the command response is wired-OR. During the issuance of this command sequence, the transfer clock frequency should be set to a sufficiently low value.

- All cards are initialized to the idle state by CMD0.
- The operation condition registers (OCR) of all cards are read via wired-OR and cards that cannot operate are deactivated by CMD1.
The cards that are not deactivated enter the ready state.
- The card identifications (CID) of all cards in the ready state are read via wired-OR by CMD2. Each card compares its CID and data on the MMCCMD, and if they are different, the card aborts the CID output. Only one card in which the CID can be entirely output enters the acknowledge state. When the R2 response is necessary, set CTOCR to H'01.
- A relative address (RCA) is given to the card in the acknowledge state by CMD3. The card to which the RCA is given enters the standby state.
- By repeating CMD2 and CMD3, RCAs are given to all cards in the ready state to make them enter the standby state.

(2) Operation of Relative Address Commands

CMD7, CMD9, CMD10, CMD13, CMD15, CMD39, and CMD55 are relative address commands that address the card by RCA. The relative address commands are used to read card administration information and original information, and to change the specific card states.

CMD7 sets one addressed card to the transfer state, and the other cards to the standby state. Only the card in the transfer state can execute flash-memory operation commands, other than broadcast or relative-address commands.

(3) Operation of Commands Not Requiring Command Response

Some broadcast commands do not require a command response.

Figure 24.3 shows an example of the command sequence for commands that do not require a command response.

Figure 24.4 shows the operational flow for commands that do not require a command response.

- Make settings to issue the command.
- Set the CMDSTRT bit in CMDSTRT to 1 to start command transmission. MMCCMD must be kept driven until the end bit output is completed.
- The end of the command sequence is detected by polling the BUSY flag in CSTR or by the command transmit end interrupt (CMDI).

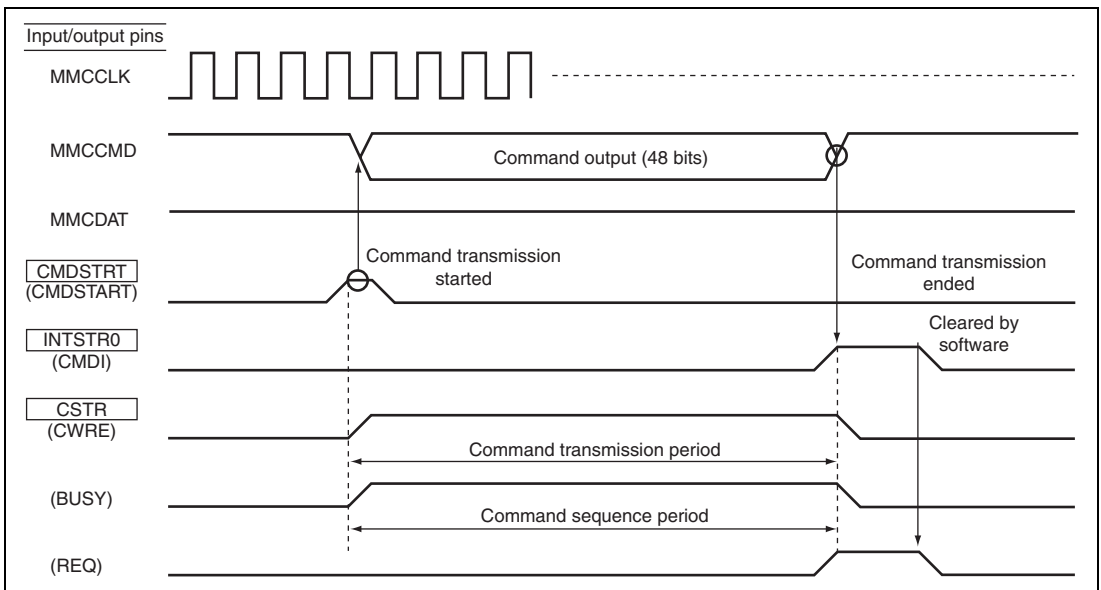


Figure 24.3 Example of Command Sequence for Commands Not Requiring Command Response

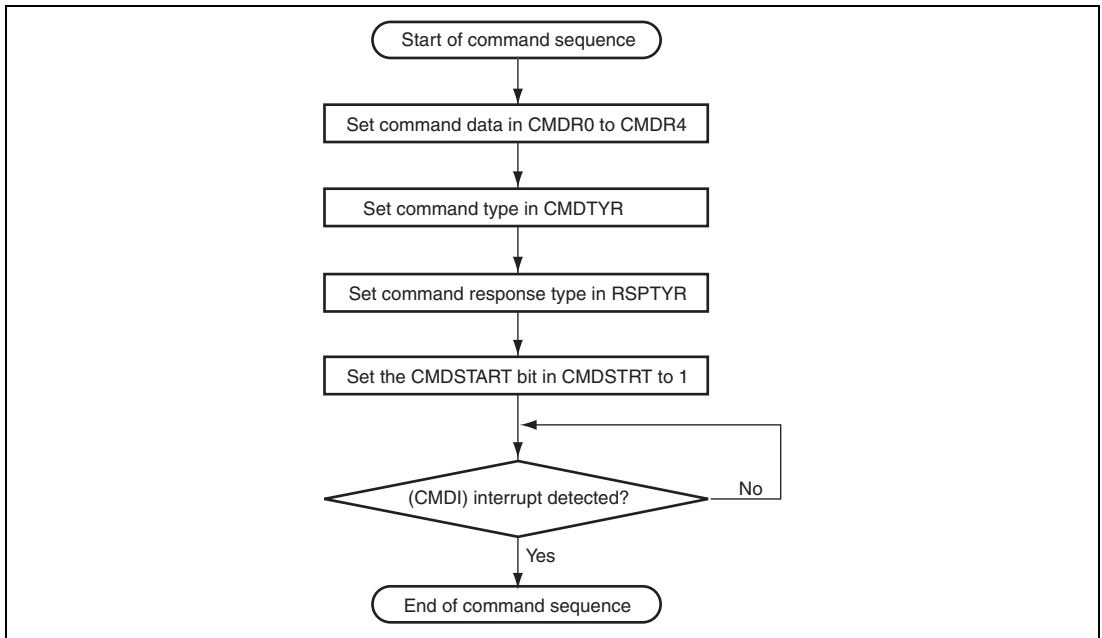


Figure 24.4 Example of Operational Flow for Commands Not Requiring Command Response

(4) Operation of Commands without Data Transfer

Broadcast, relative address, and flash memory operation commands include a number of commands that do not include data transfer. Such commands execute the desired data transfer using command arguments and command responses. For a command that is related to time-consuming processing such as flash memory write/erase, the card indicates the data busy state via the MMCDAT.

Figures 24.5 and 24.6 show examples of the command sequence for commands without data transfer.

Figure 24.7 shows the operational flow for commands without data transfer.

- Make settings to issue the command.
- Set the CMDSTART bit in CMDSTRT to 1 to start command transmission. Command transmission completion can be confirmed by the command transmit end interrupt (CMDI).

- The command response is received from the card.
If the card returns no command response, the command response is detected by the command timeout error (CTERI).
- The end of the command sequence is detected by polling the BUSY flag in CSTR or by the command response receive end interrupt (CRPI).
- Check whether the state is data busy through the DTBUSY bit in CSTR. If data busy is detected, the end of the data busy state is then detected through the data busy end interrupt (DBSYI).
- Write the CMDOFF bit to 1, if a CRC error (CRCERI) or a command timeout error (CTERI) occurs.
- The MMCCMD and MMCDAT pins go to the high impedance state when the MMCIF and the MMC card do not drive the bus and the input level of these pins is high because they are pulled-up internally.

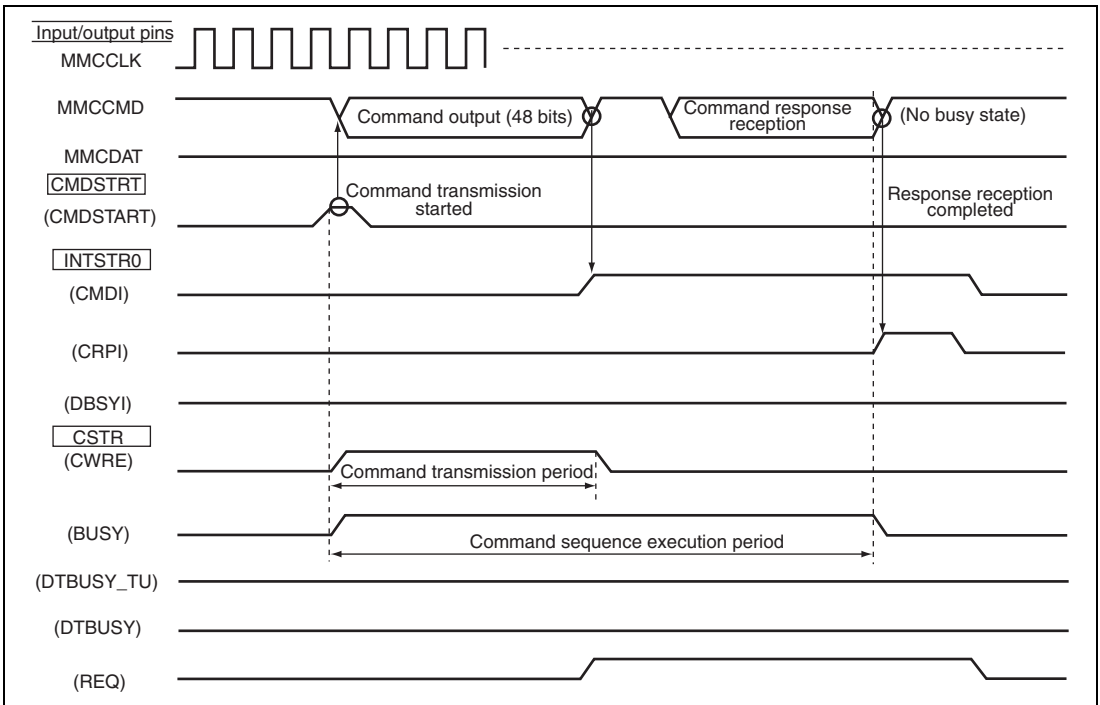


Figure 24.5 Example of Command Sequence for Commands without Data Transfer (No Data Busy State)

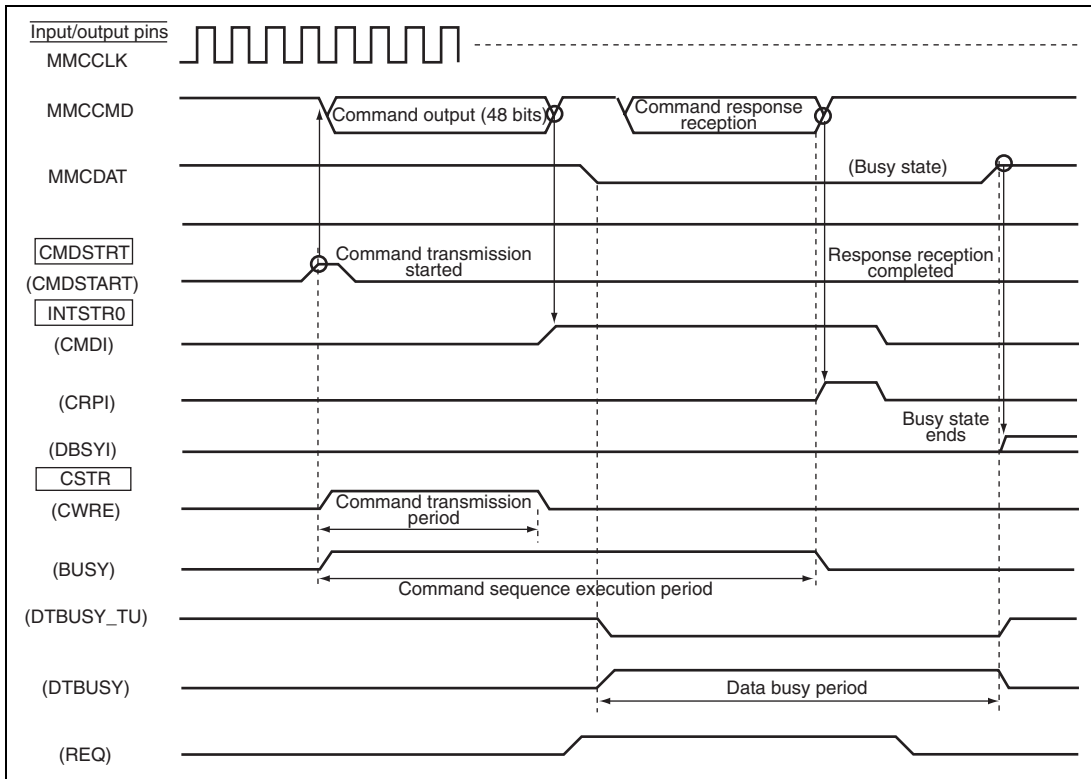


Figure 24.6 Example of Command Sequence for Commands without Data Transfer (with Data Busy State)

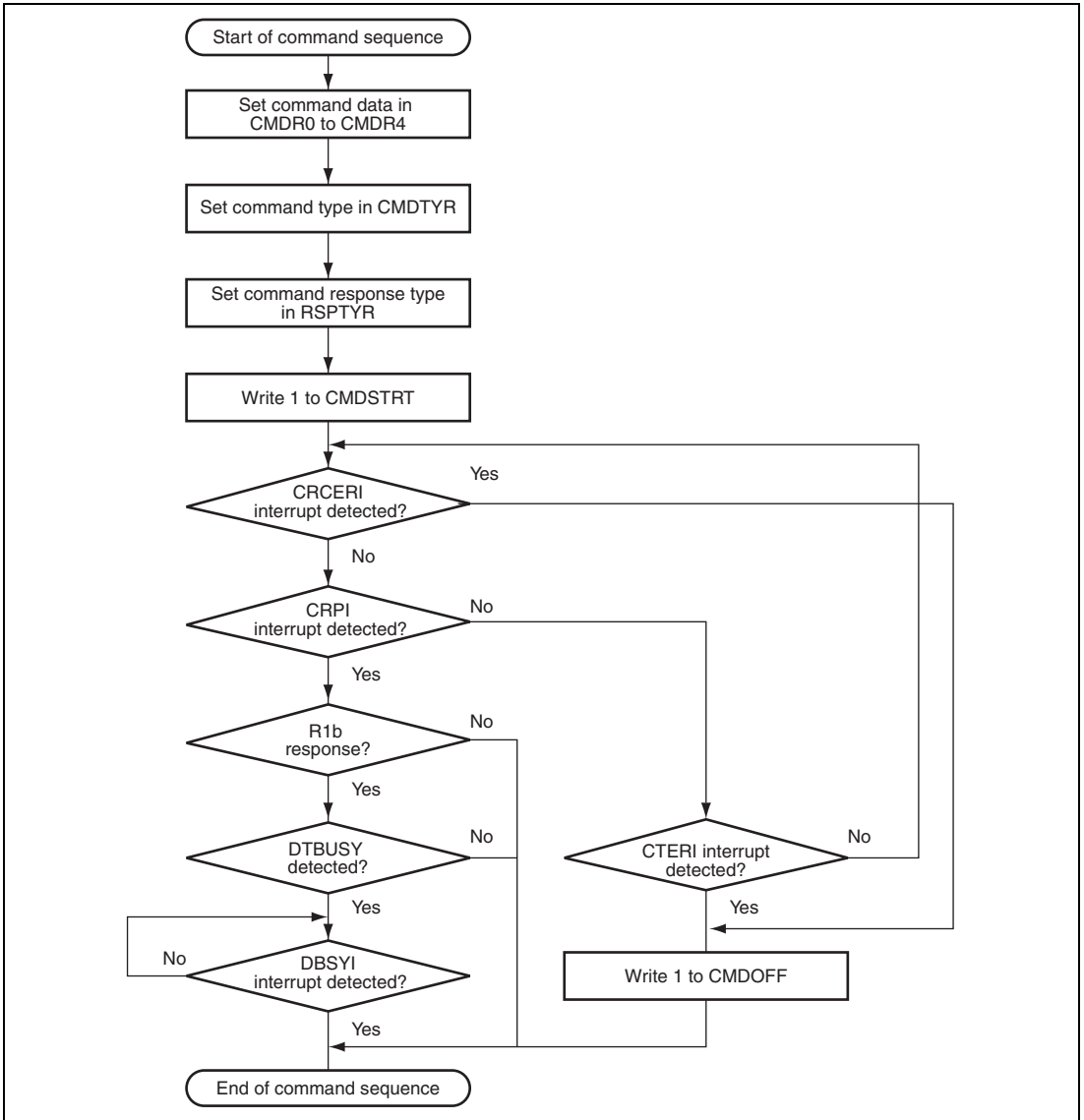


Figure 24.7 Example of Operational Flow for Commands without Data Transfer

(5) Commands with Read Data

Flash memory operation commands include a number of commands involving read data. Such commands confirm the card status by the command argument and command response, and receive card information and flash memory data from the MMCDAT pin.

In multiple block transfer, two transfer methods can be used; one is open-ended and another one is pre-defined. Open-ended operation is suspended for each block transfer and an instruction to continue or end the command sequence is waited for. For pre-defined operation, the block number of the transmission is set before transfer.

When the FIFO is full between blocks in multiple block transfer, the command sequence is suspended. Once the command sequence is suspended, process the data in FIFO if necessary before allowing the command sequence to continue.

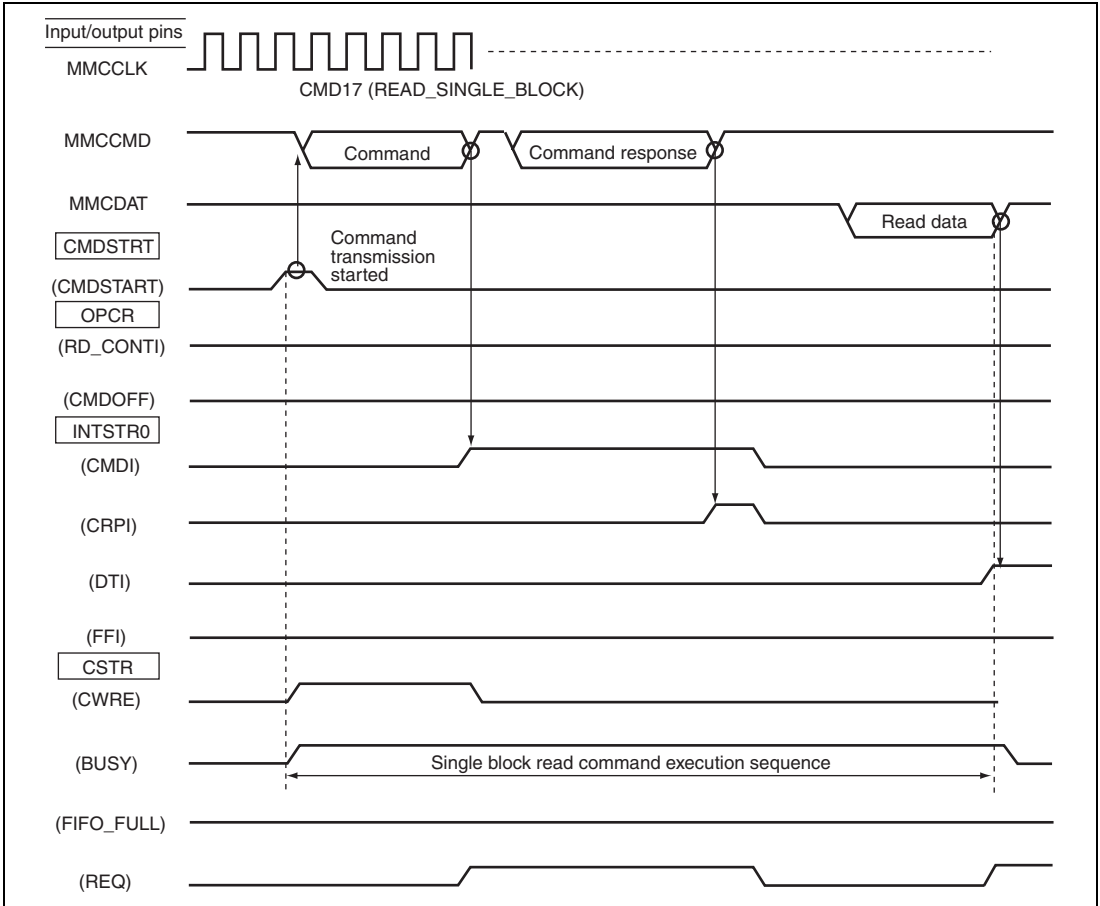
Note: In multiple block transfer, when the command sequence is ended (the CMDOFF bit is written to 1) before command response reception (CRPI), the command response may not be received correctly. Therefore, to receive the command response correctly, the command sequence must be continued (set the RD_CONT bit to 1) until the command response reception ends.

Figures 24.8 to 24.11 show examples of the command sequence for commands with read data.

Figures 24.12 to 24.14 show the operational flows for commands with read data.

- Make settings to issue the command, and clear FIFO.
- Set the CMDSTART bit in CMDSTRT to 1 to start command transmission. MMCCMD must be kept driven until the end bit output is completed.
Command transmission completion can be confirmed by the command transmit end interrupt (CMDI).
- The command response is received from the card.
If the card does not return the command response, the command response is detected by the command timeout error (CTERI).
- Read data is received from the card.
- The inter-block suspension in multiple block transfer and suspension by the FIFO full are detected by the data transfer end interrupt (DTI) and FIFO full interrupt (FFI), respectively.
To continue the command sequence, the RD_CONTI bit in OPCR should be set to 1. To end the command sequence, the CMDOFF bit in OPCR should be set to 1, and CMD12 should be issued. Unless the sequence is suspended in pre-defined multiple block transfer, CMD12 is not needed.

- The end of the command sequence is detected by polling the BUSY flag in CSTR, by the data transfer end interrupt (DTI) or pre-defined multiple block transfer end (BTI).
- Write the CMDOFF bit to 1 if a CRC error (CRCERI) or a command timeout error (CTERI) occurs in the command response reception.
- Clear the FIFO by writing the CMDOFF bit to 1, when CRC error (CRCERI) and data timeout error (DTERI) occurs in the read data reception.



**Figure 24.8 Example of Command Sequence for Commands with Read Data
(Block Size \leq FIFO Size)**

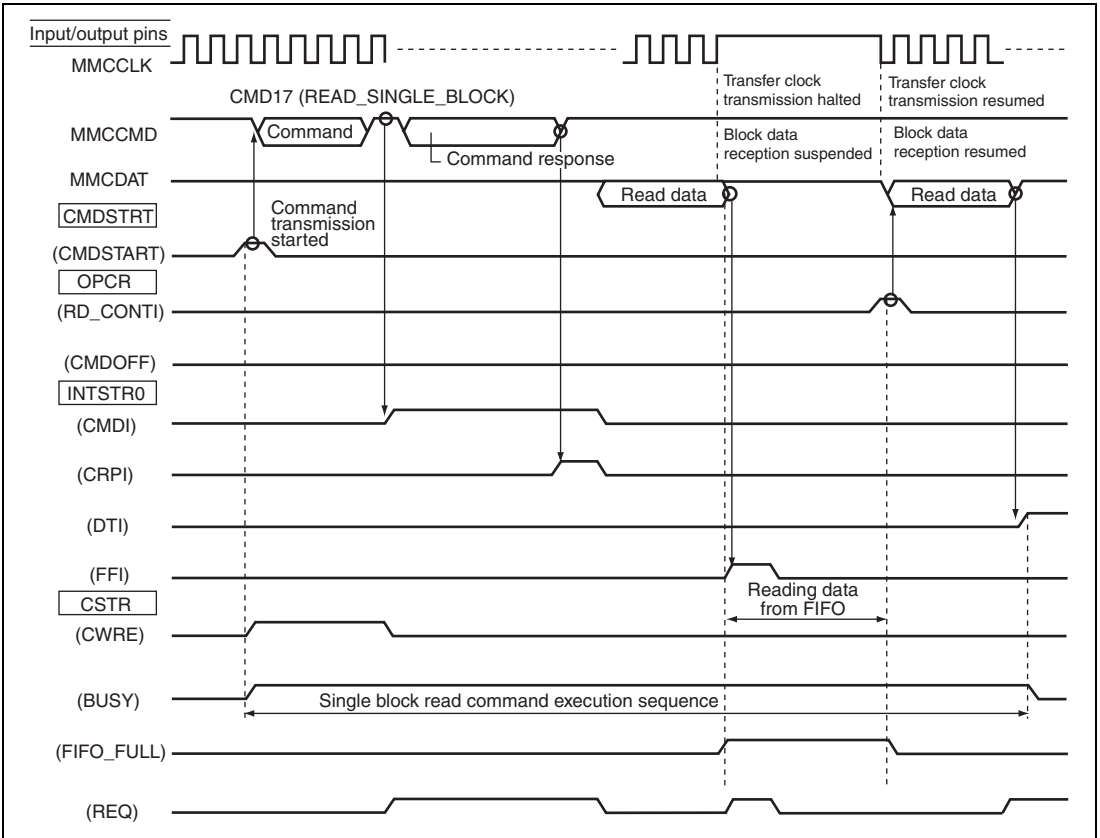


Figure 24.9 Example of Command Sequence for Commands with Read Data (Block Size > FIFO Size)

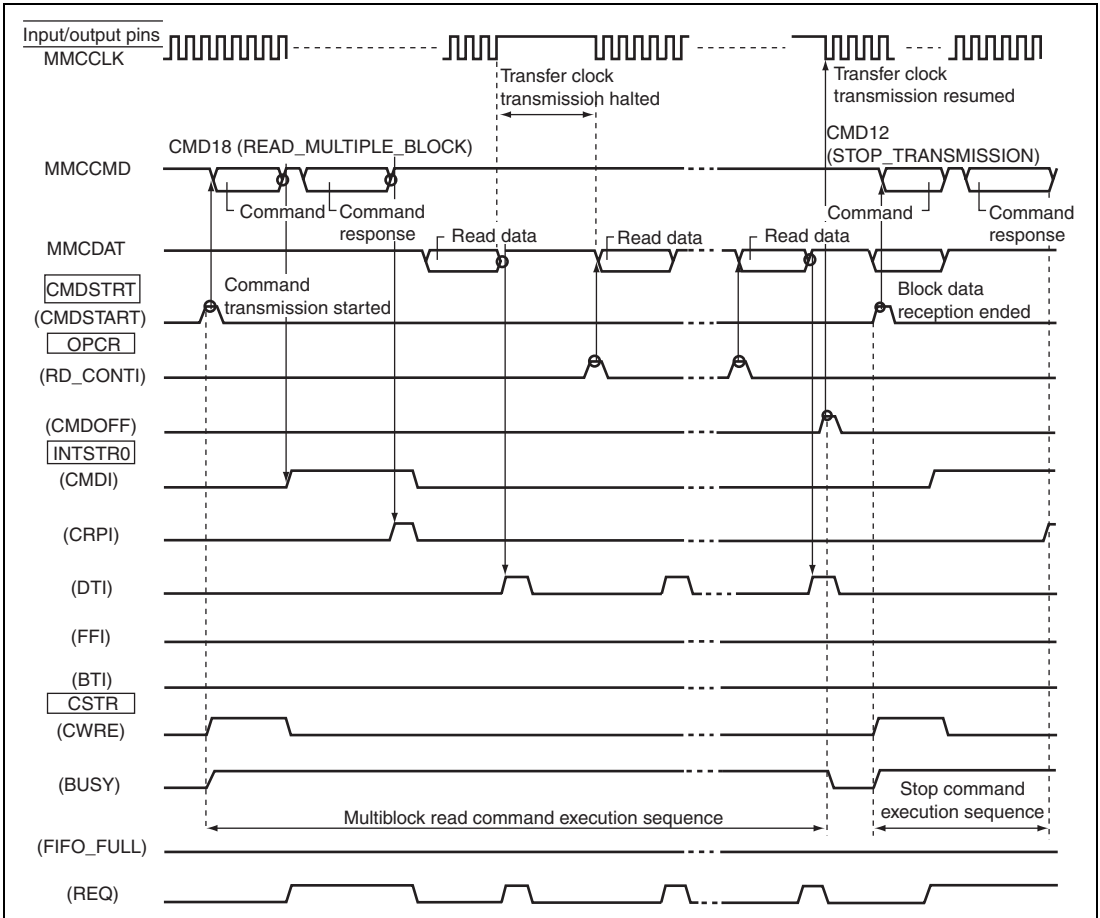


Figure 24.10 Example of Command Sequence for Commands with Read Data (Multiple Block Transfer)

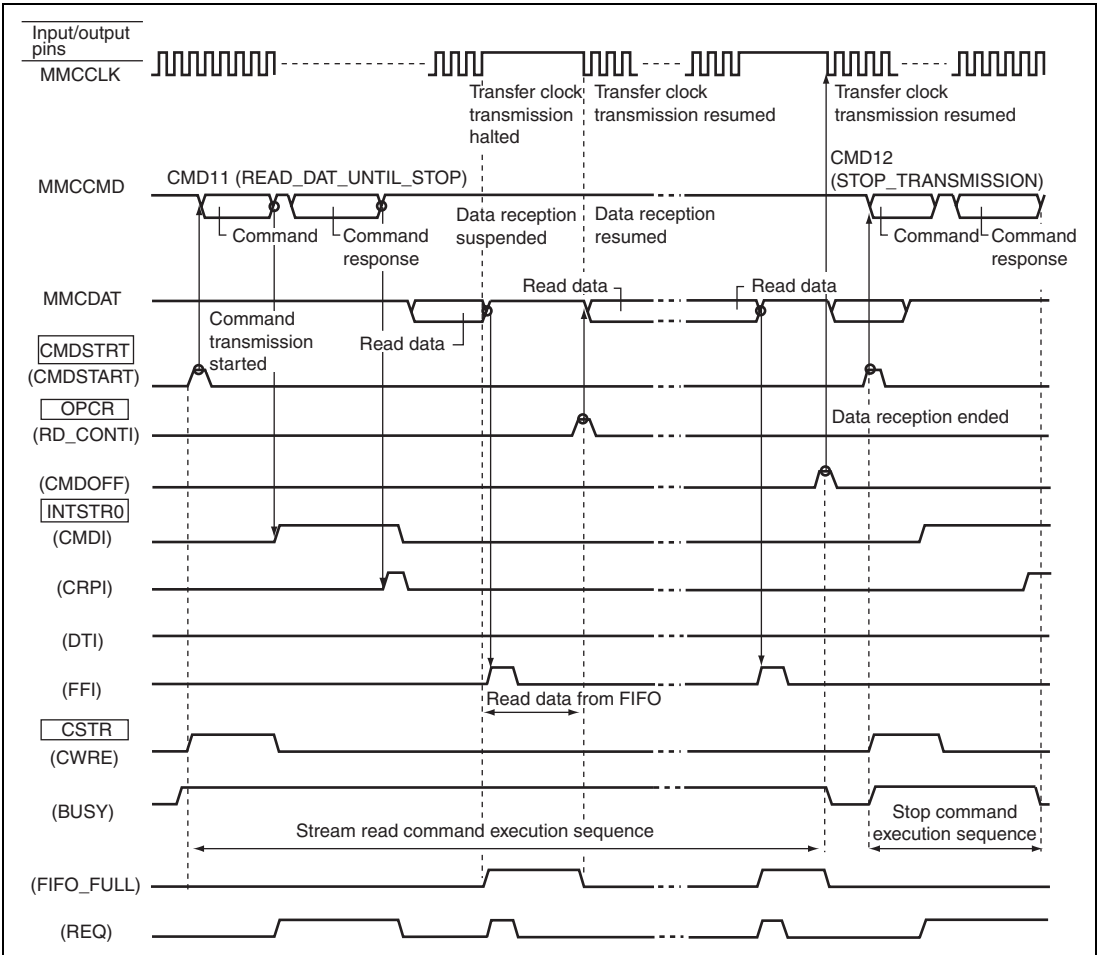


Figure 24.11 Example of Command Sequence for Commands with Read Data (Stream Transfer)

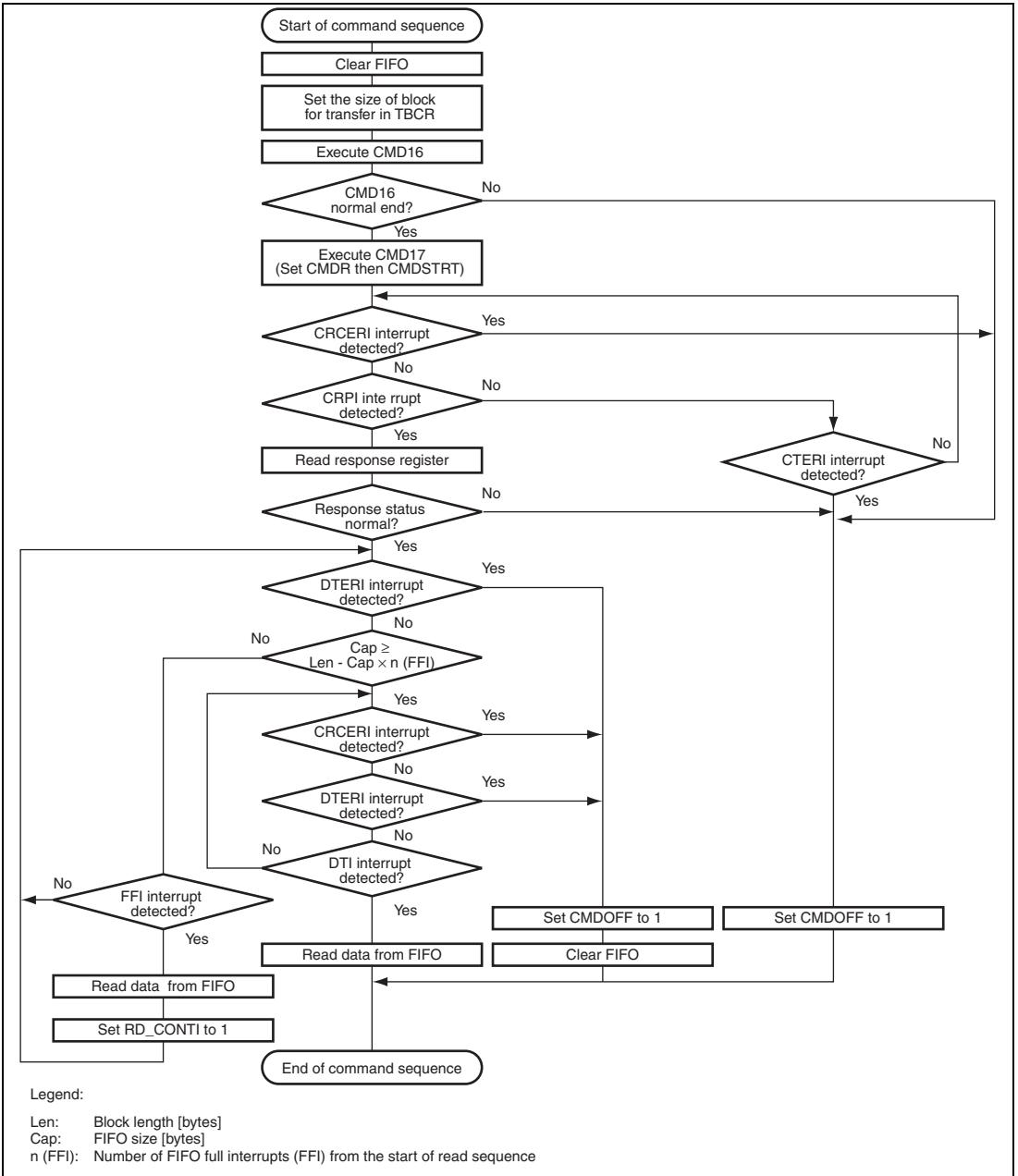
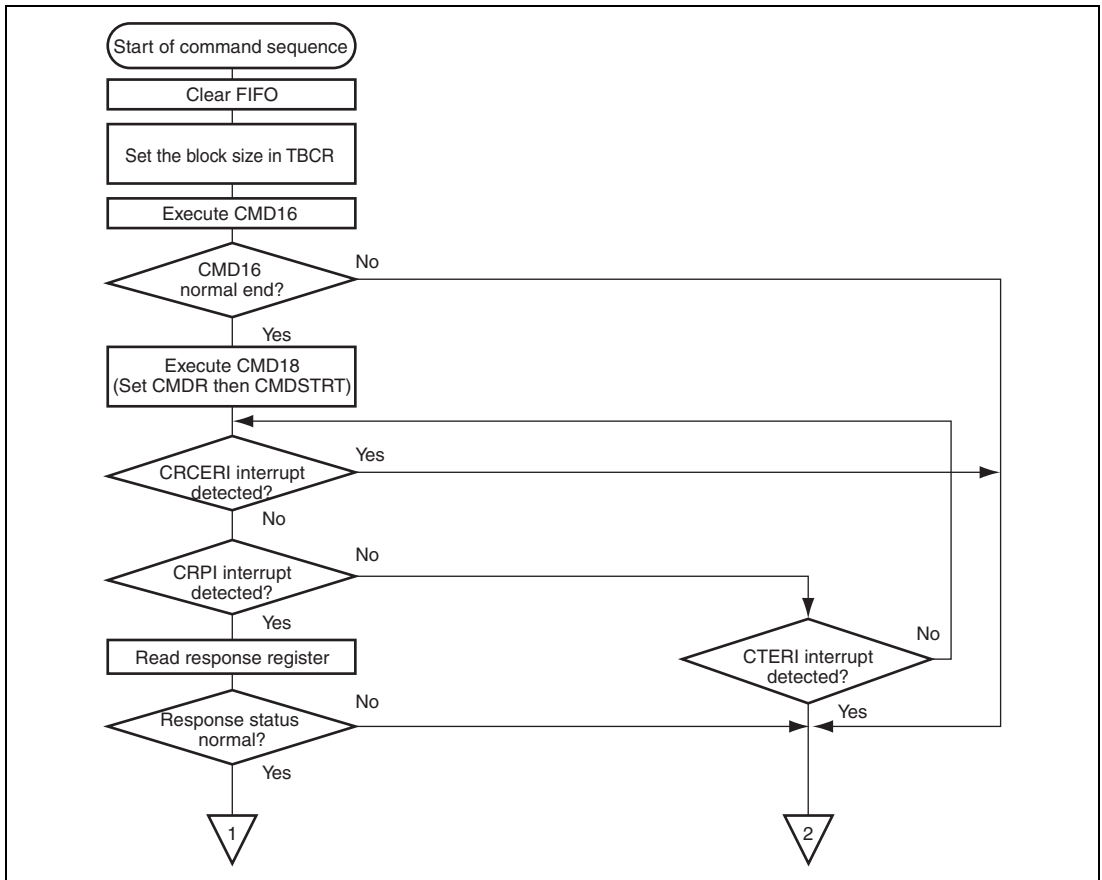
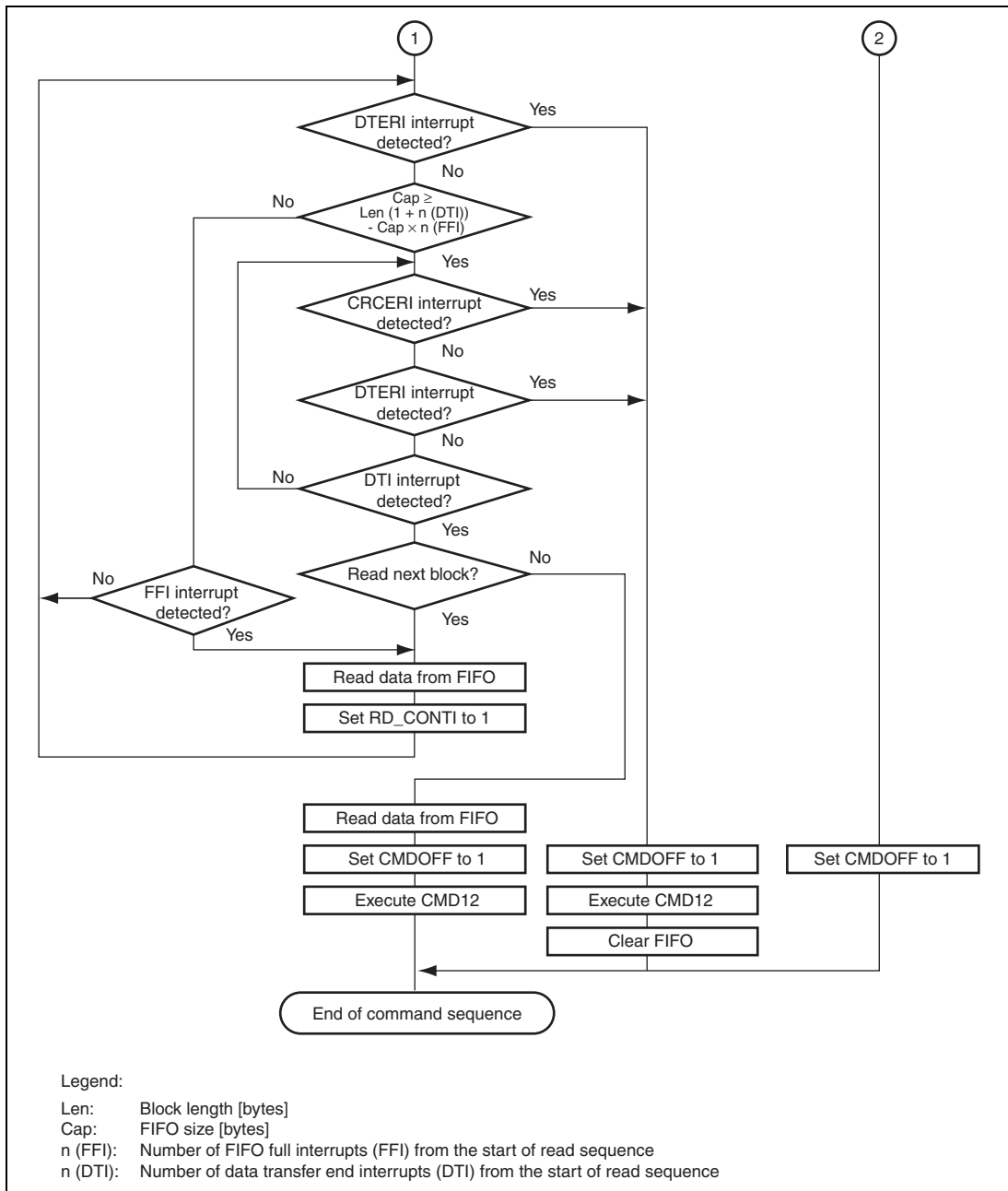


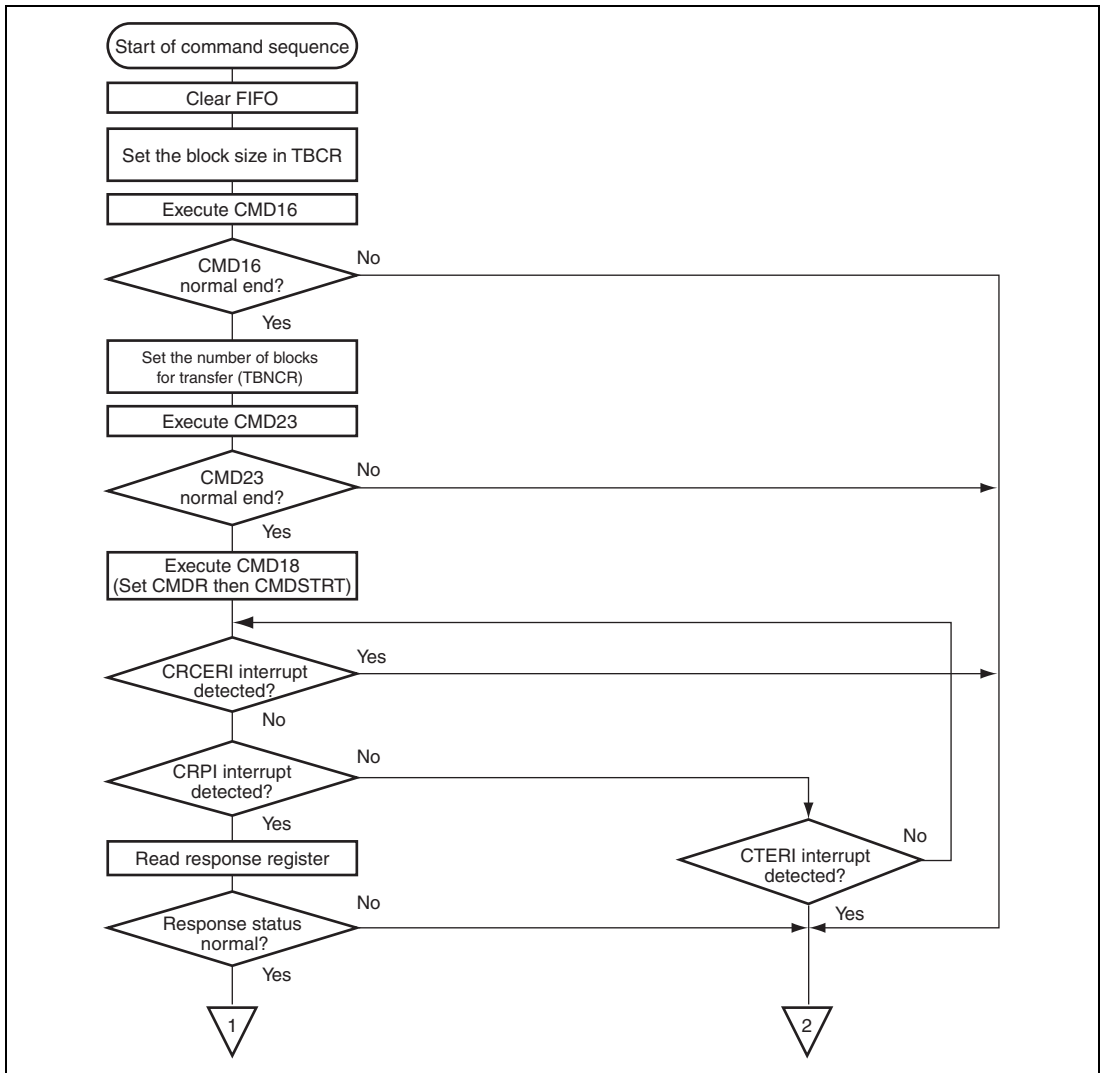
Figure 24.12 Example of Operational Flow for Commands with Read Data (Single Block Transfer)



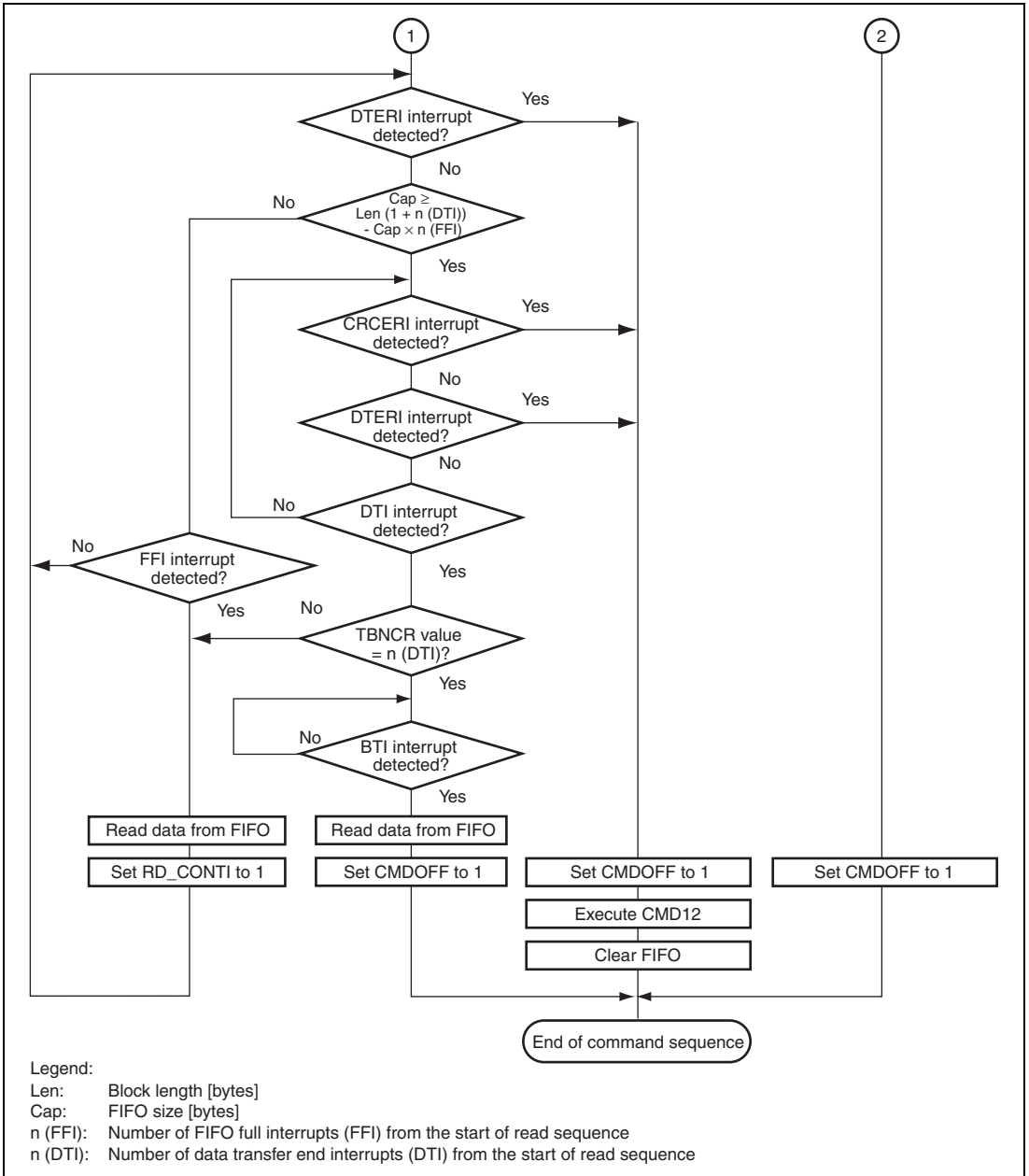
**Figure 24.13 Example of Operational Flow for Commands with Read Data (1)
(Open-ended Multiple Block Transfer)**



**Figure 24.13 Example of Operational Flow for Commands with Read Data (2)
(Open-ended Multiple Block Transfer)**



**Figure 24.13 Example of Operational Flow for Commands with Read Data (3)
(Pre-defined Multiple Block Transfer)**



**Figure 24.13 Example of Operational Flow for Commands with Read Data (4)
(Pre-defined Multiple Block Transfer)**

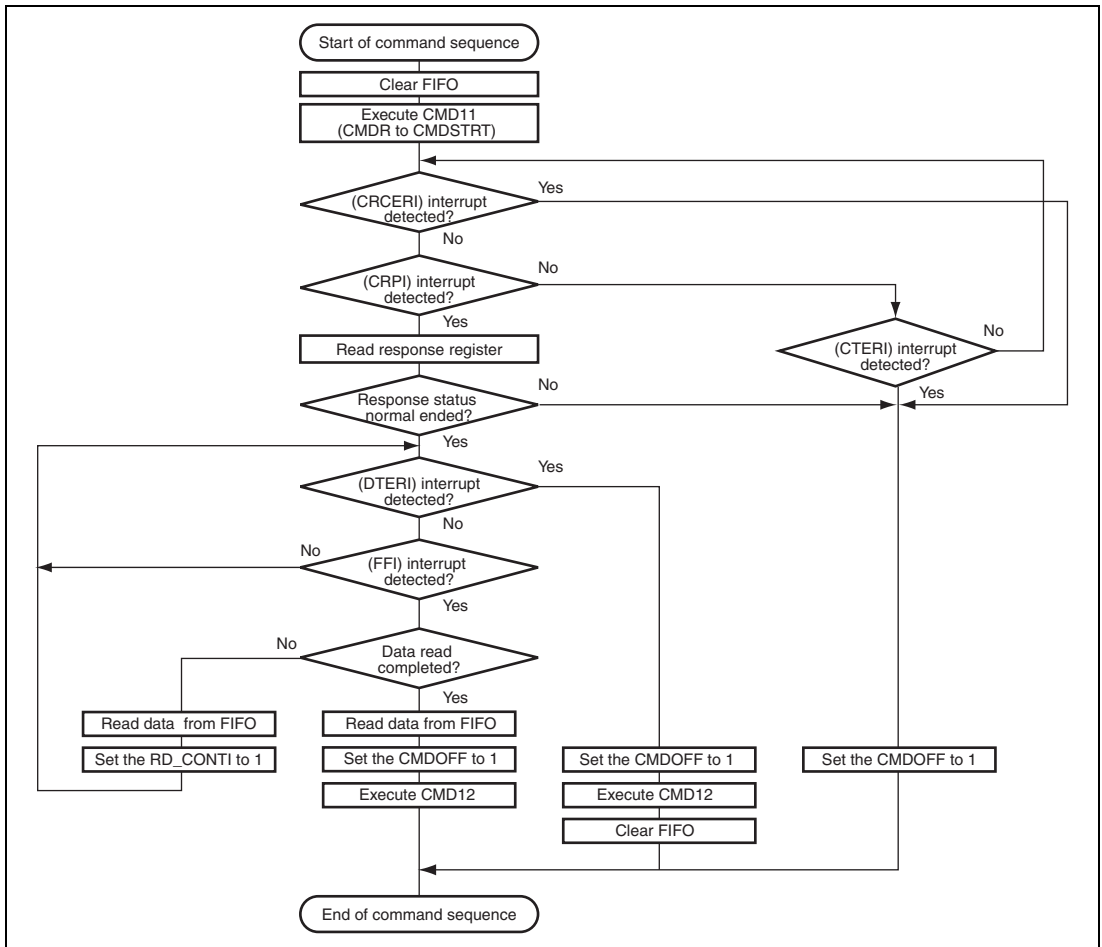


Figure 24.14 Example of Operational Flow for Commands with Read Data (Stream Transfer)

(6) Commands with Write Data

Flash memory operation commands include a number of commands involving write data. Such commands confirm the card status by the command argument and command response, and transmit card information and flash memory data via the MMCDAT pin. For a command that is related to time-consuming processing such as flash memory write, the card indicates the data busy state via the MMCDAT pin.

In multiple block transfer, two transfer methods can be used; one is open-ended and the other is pre-defined. Open-ended operation is suspended for each block transfer and an instruction to continue or end the command sequence is waited for. For pre-defined operation, the block number of the transmission is set before transfer.

When the FIFO is full between blocks in multiple block transfer, the command sequence is suspended. Once the command sequence is suspended, process the data in FIFO if necessary before allowing the command sequence to continue.

Figures 24.15 to 24.18 show examples of the command sequence for commands with write data.

Figures 24.19 to 24.21 show the operational flows for commands with write data.

- Make settings to issue a command, and clear FIFO.
- Set the CMDSTART bit in CMDSTRT to 1 to start command transmission. MMCCMD must be kept driven until the end bit output is completed.
- Command transmission completion can be confirmed by the command transmit end interrupt (CMDI).
- The command response is received from the card.
- If the card returns no command response, the command response is detected by the command timeout error (CTERI).
- Set the write data to FIFO.
- Set the DATAEN bit in OPCR to 1 to start write data transmission. MMCDAT must be kept driven until the end bit output is completed.
- Inter-block suspension in multiple block transfer and suspension according to the FIFO empty are detected by the data response interrupt (DRPI) and FIFO empty interrupt (FEI), respectively. To continue the command sequence, set the next data to FIFO and set the DATAEN bit in OPCR to 1. To end the command sequence, set the CMDOFF bit in OPCR to 1 and issue CMD12. Unless the sequence is suspended in pre-defined multiple block transfer, CMD12 is not needed.

- The end of the command sequence is detected by polling the BUSY flag in CSTR, data transfer end interrupt (DTI), data response interrupt (DRPI), or pre-defined multiple block transfer end (BTI).
- The data busy state is checked through DTBUSY in CSTR. If the card is in data busy state, the end of the data busy state is detected by the data busy end interrupt (DBSYI).
- Write the CMDOFF bit to 1 if a CRC error (CRCERI) or a command timeout error (CTERI) occurs in the command response reception.
- Write the CMDOFF bit to 1 if a CRC error (CRCERI) or a data timeout error (DTERI) occurs in the write data transmission.

Note: In a write to the card by stream transfer, the MMCIF continues data transfer to the card even after a FIFO empty interrupt is detected. In this case, complete the command sequence after at least 24 transfer clock cycles.

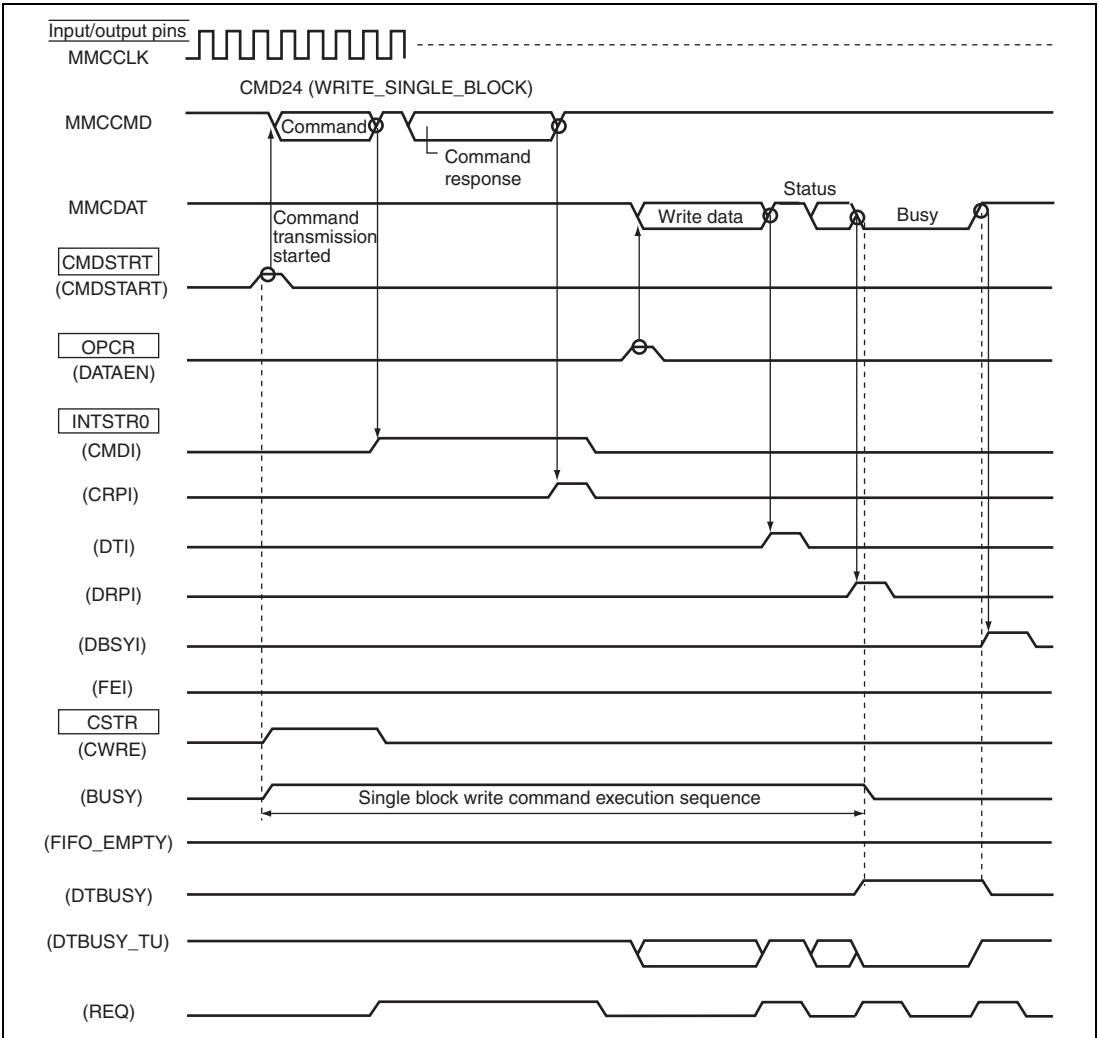


Figure 24.15 Example of Command Sequence for Commands with Write Data (Block Size ≤ FIFO Size)

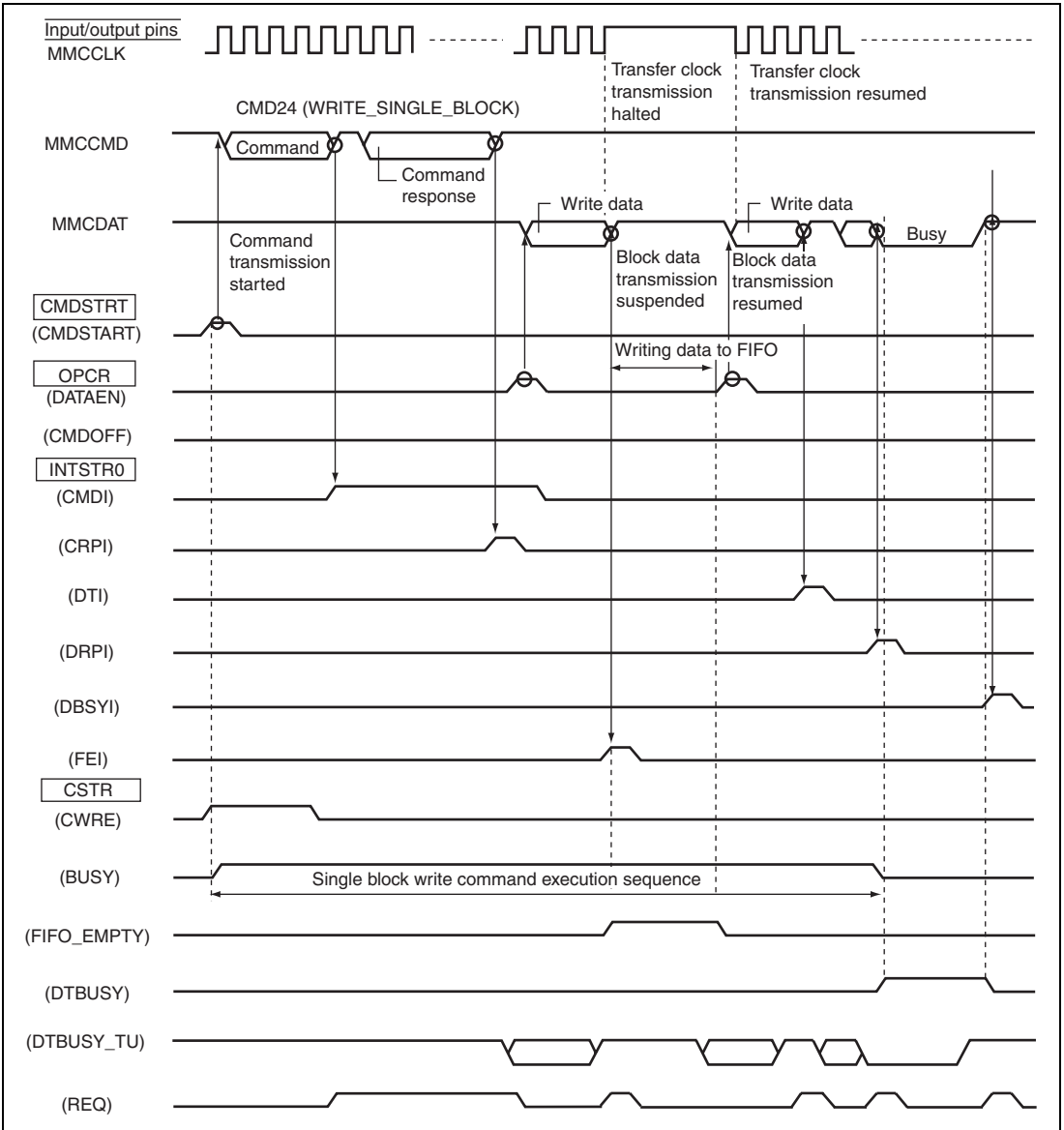


Figure 24.16 Example of Command Sequence for Commands with Write Data (Block Size > FIFO Size)

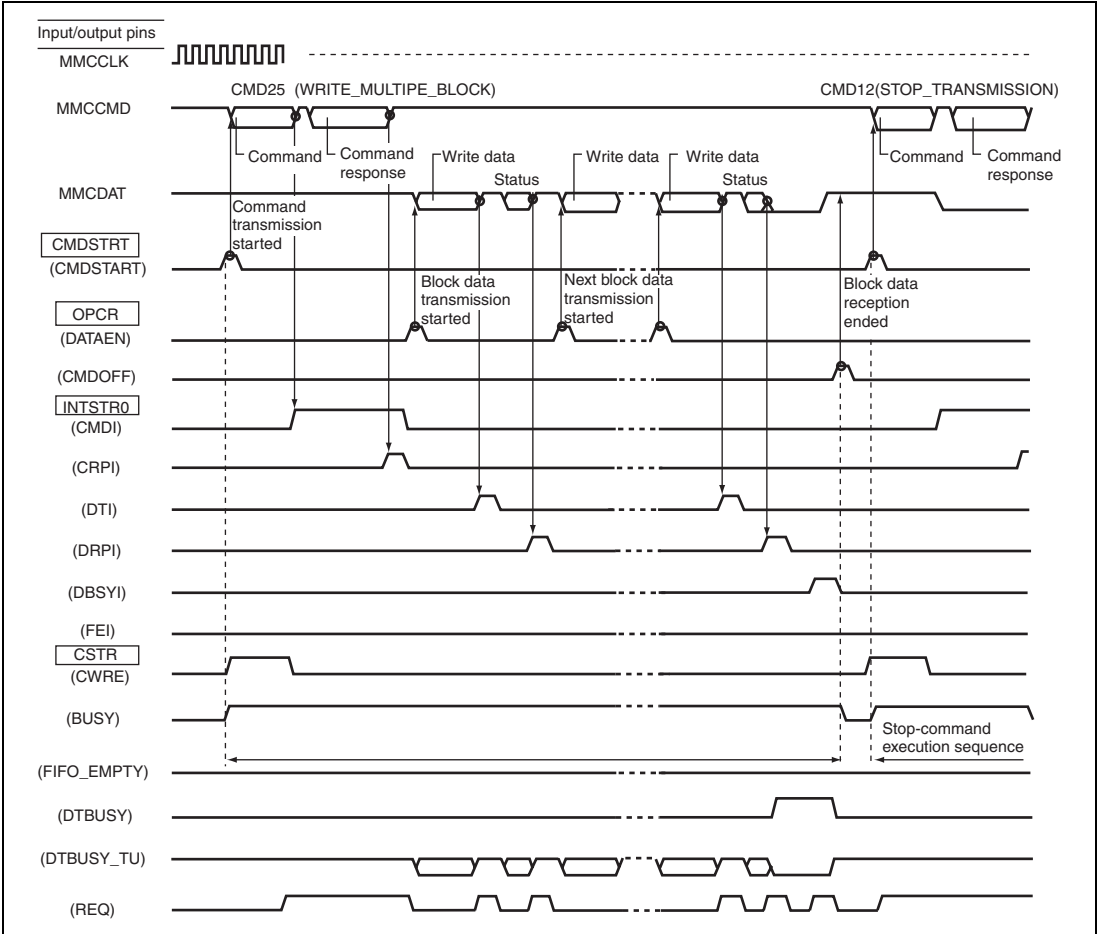


Figure 24.17 Example of Command Sequence for Commands with Write Data (Multiple Block Transfer)

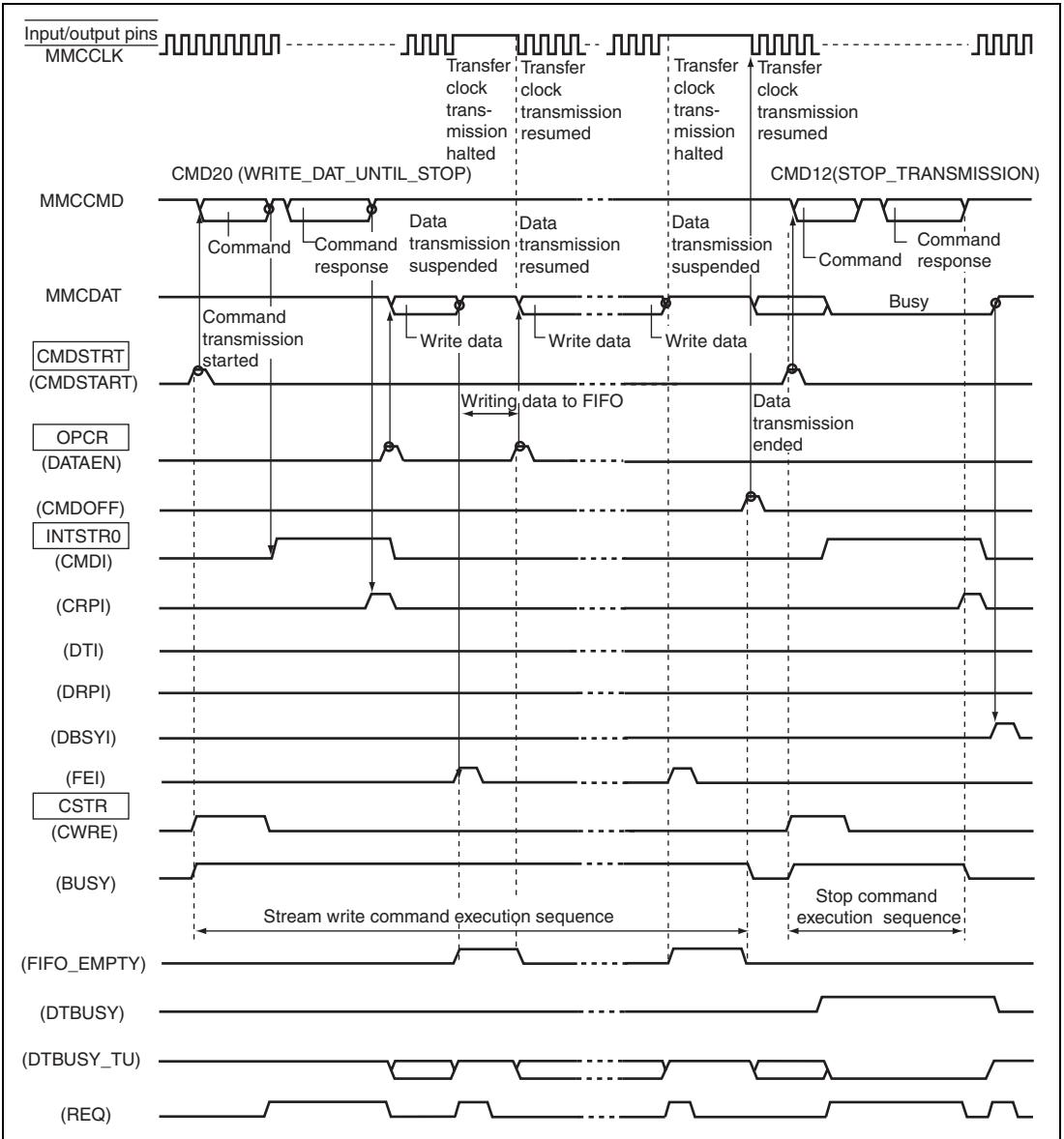


Figure 24.18 Example of Command Sequence for Commands with Write Data (Stream Transfer)

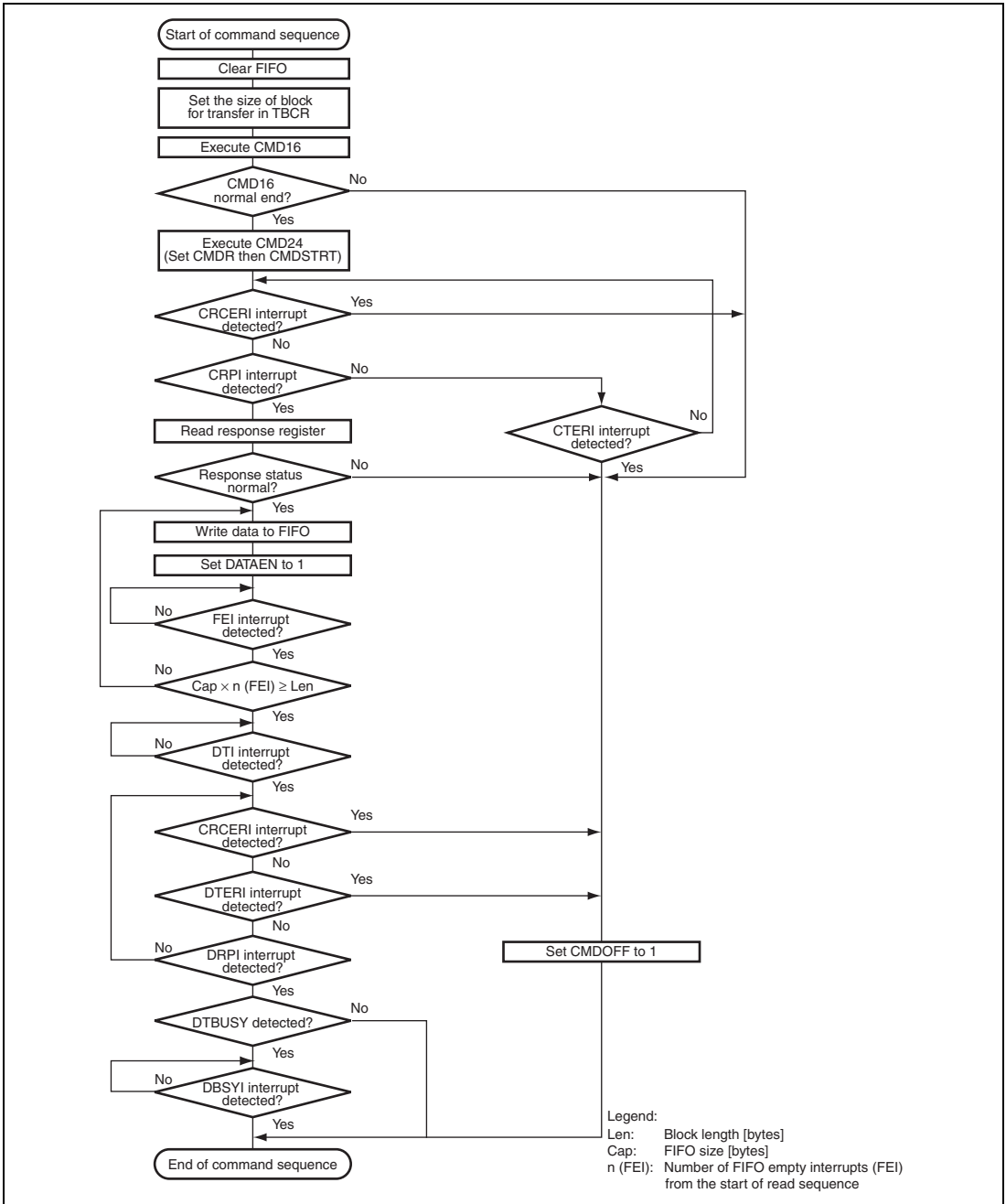


Figure 24.19 Example of Operational Flow for Commands with Write Data (Single Block Transfer)

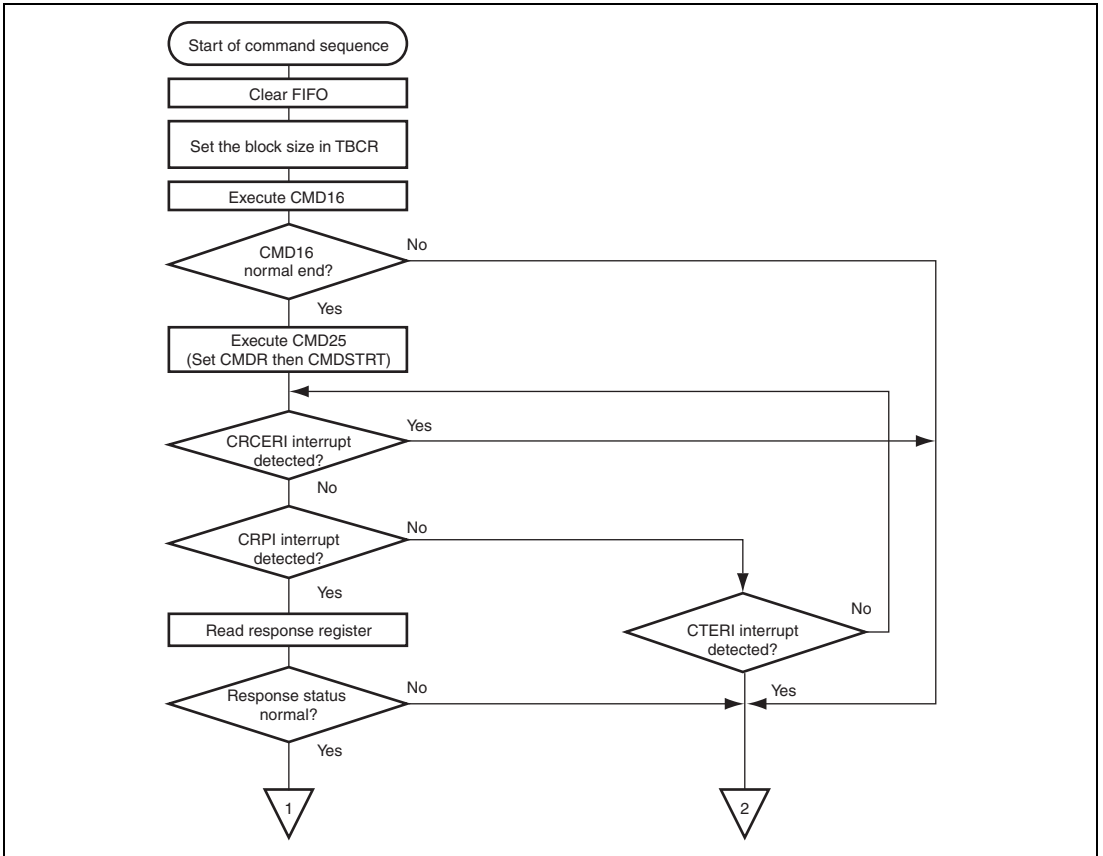


Figure 24.20 (1) Example of Operational Flow for Commands with Write Data (Open-ended Multiple Block Transfer)

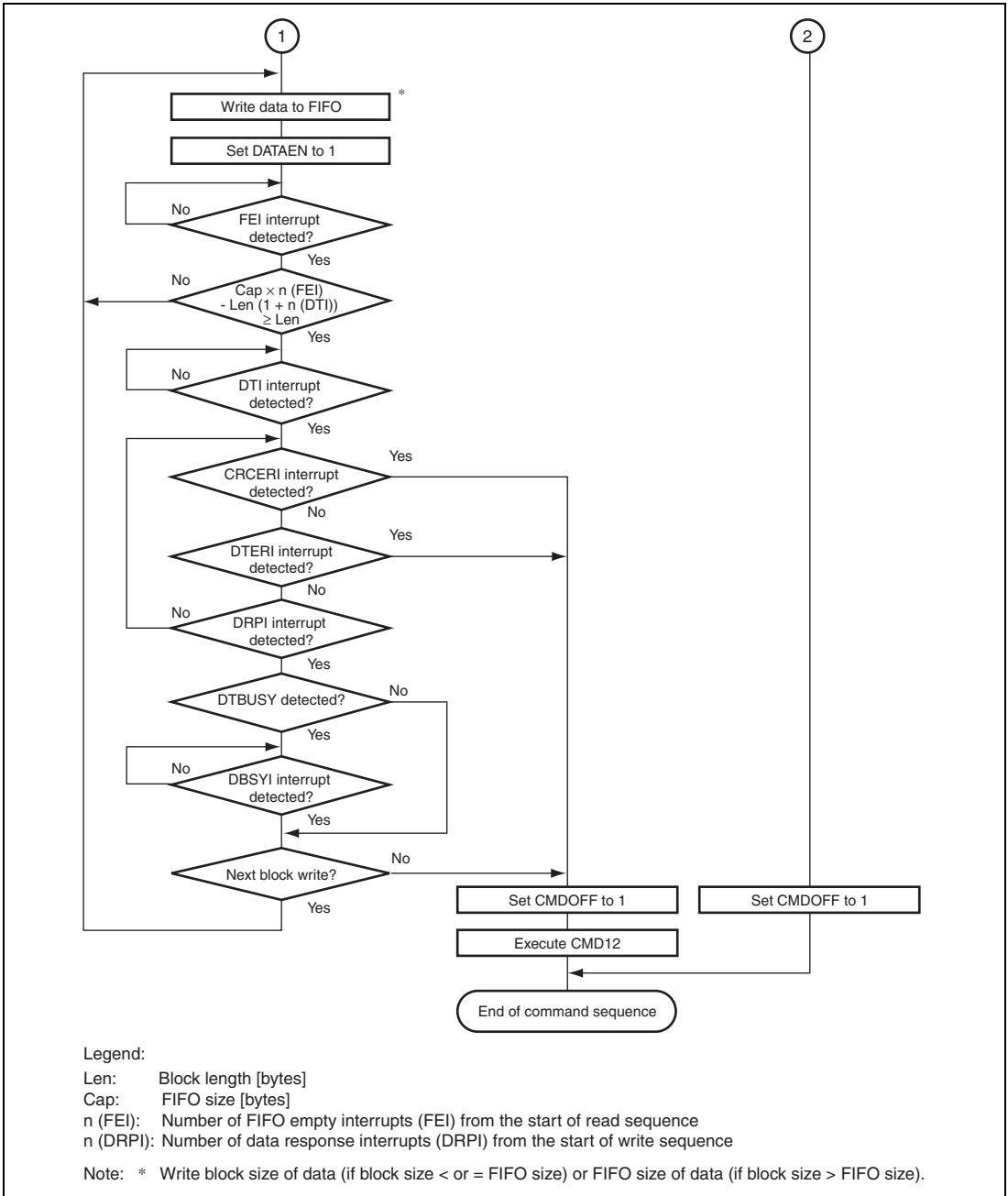


Figure 24.20 (2) Example of Operational Flow for Commands with Write Data (Open-ended Multiple Block Transfer)

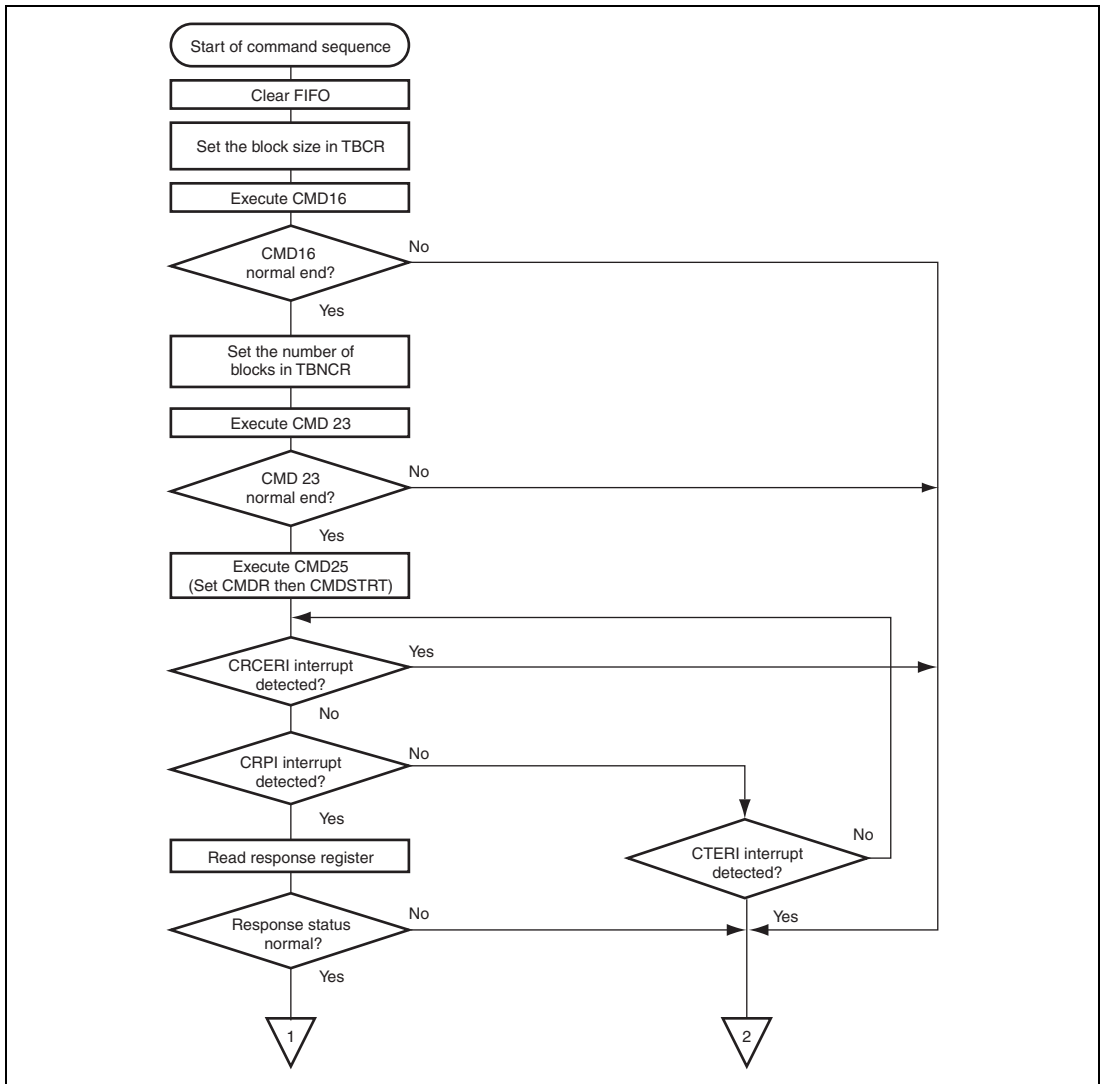


Figure 24.20 (3) Example of Operational Flow for Commands with Write Data (Pre-defined Multiple Block Transfer)

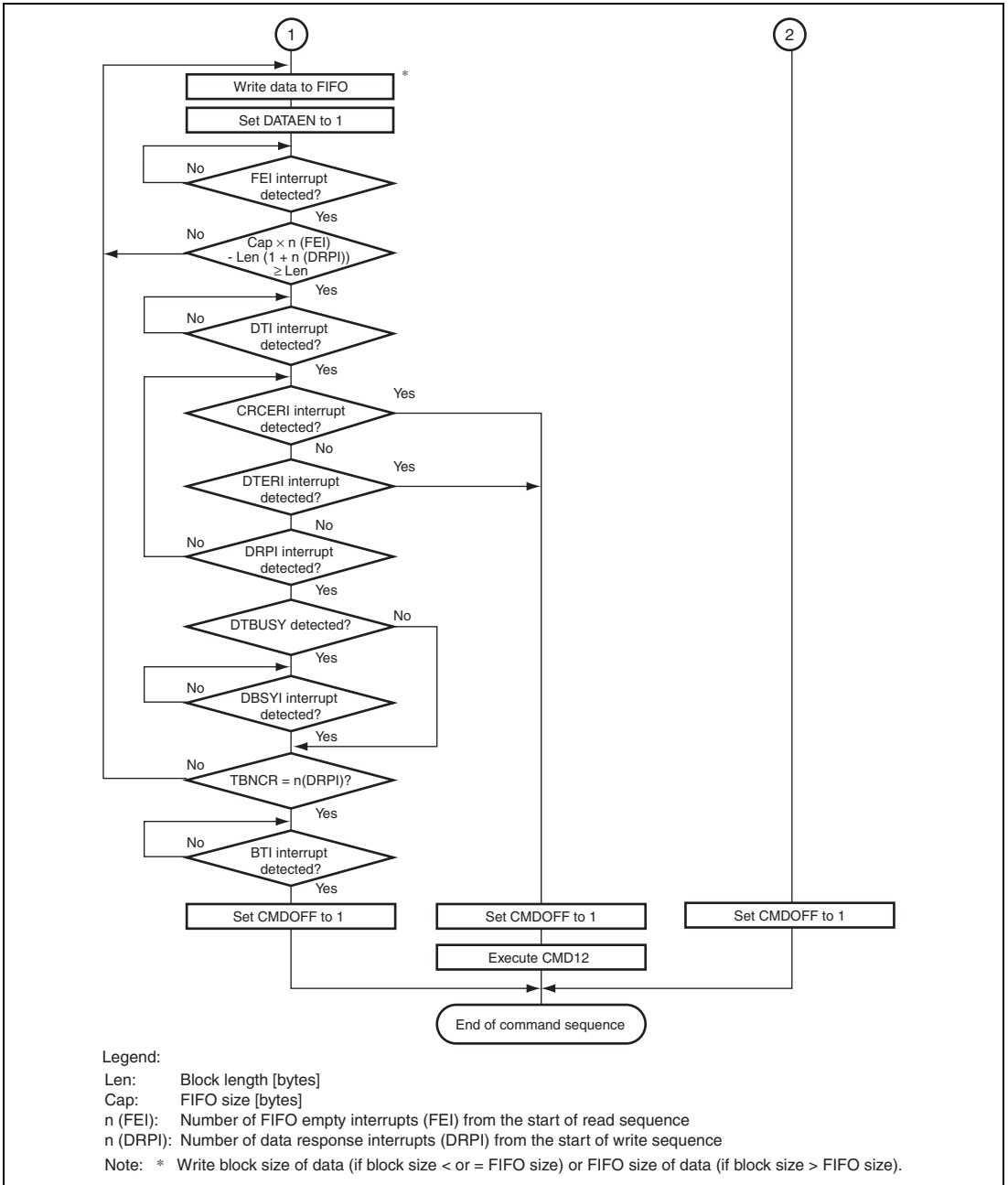


Figure 24.20 (4) Example of Operational Flow for Commands with Write Data (Pre-defined Multiple Block Transfer)

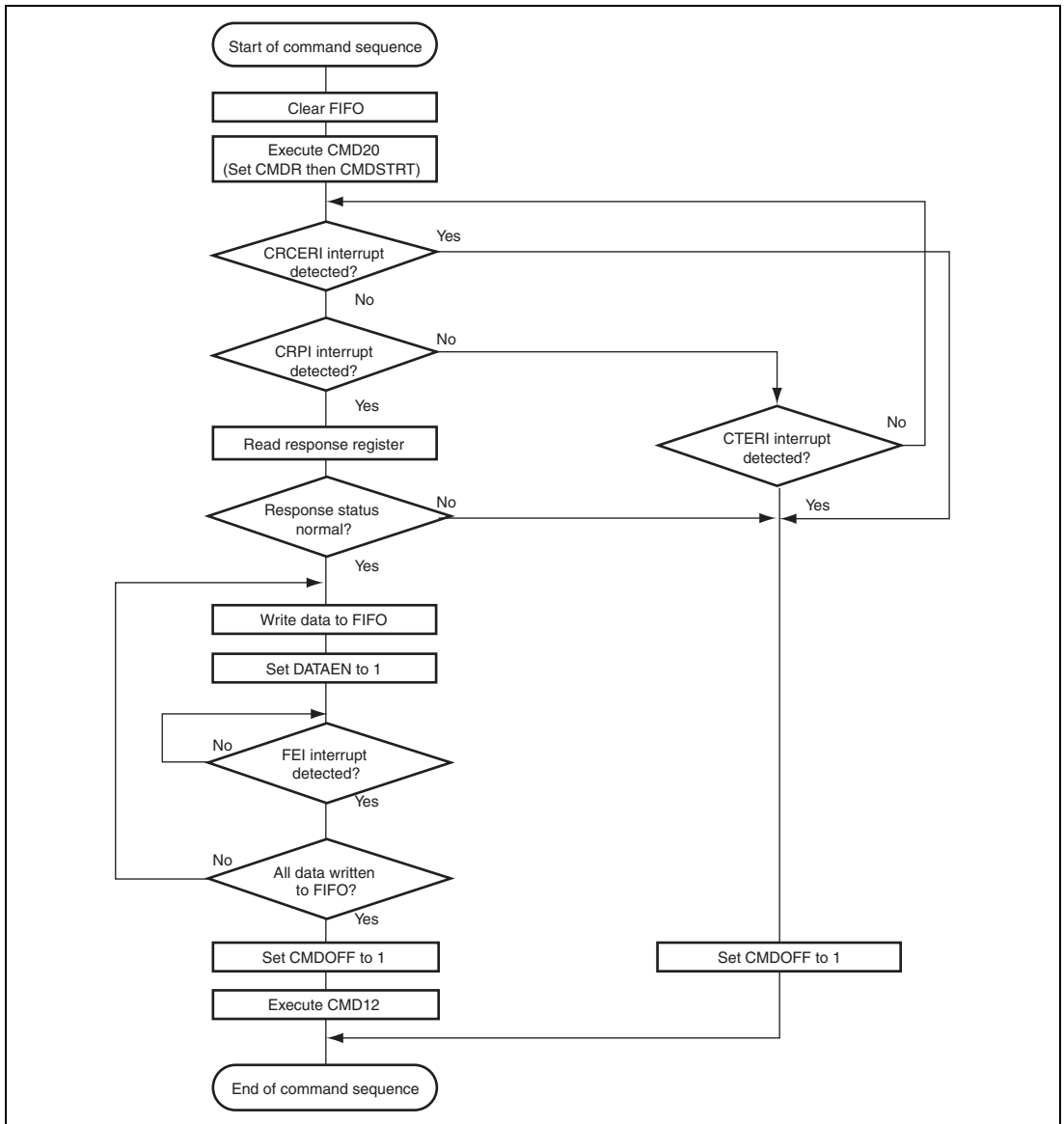


Figure 24.21 Example of Operational Flow for Commands with Write Data (Stream Transfer)

24.5 MMCIF Interrupt Sources

Table 24.7 lists the MMCIF interrupt sources. The interrupt sources are classified into four groups, and four interrupt vectors are assigned. Each interrupt source can be individually enabled by the enable bits in INTCR0 to INTCR2. Disabled interrupt sources do not set the flag.

Table 24.7 MMCIF Interrupt Sources

Name	Interrupt source	Interrupt flag
FSTAT	FIFO empty	FEI
	FIFO full	FFI
TRAN	Data response	DRPI
	Data transfer end	DTI
	Command response receive end	CRPI
	Command transmit end	CMDI
	Data busy end	DBSYI
ERR	CRC error	CRCERI
	Data timeout error	DTERI
	Command timeout error	CTERI
FRDY	FIFO ready	FRDYI

24.6 Operations when Using DMA

24.6.1 Operation in Read Sequence

In order to transfer data in FIFO with the DMAC, set MMCIF (DMACR) after setting the DMAC*. Transmit the read command after setting DMACR.

Figure 24.22 to 24.24 shows the operational flow for a read sequence.

- Clear FIFO and make settings in DMACR.
- Read command transmission is started.
- Command response is received from the card.
- Read data is received from the card.
- After the read sequence, data remains in FIFO. If necessary, write 100 to SET[2:0] in DMACR to read all data from FIFO.
- Confirm that the DMAC transfer is completed and set the DMAEN bit in DMACR to 0.
- Set the CMDOFF bit to 1 and clear DMACR to H'00 if a CRC error (CRCERI) or a command timeout error (CTERI) occurs in the command response reception.
- Set the CMDOFF bit to 1, clear DMACR to H'00, and clear FIFO if a CRC error (CRCERI) or a data timeout error (DTERI) occurs in the read data reception.

When using DMA, next block read is resumed automatically when the AUTO bit in DMACR is set to 1 and normal read is detected after the block transfer end of a pre-defined multiple block transfer. Figure 24.25 shows the operational flow for a pre-defined multiple block read using auto-mode.

- Clear FIFO.
- Set the block number to (TBNCR).
- Set DMACR.
- Read command transmission is started.
- Command response is received from the card.
- Read data is received from the card.
- Detect the command timeout error (CTERI) if a command response is not received from the card.
- The end of the command sequence is detected by polling the BUSY flag in CSTR or through the pre-defined multiple block transfer end flag (BTI).

- An error in a command sequence (during data reception) is detected through the CRC error flag or data timeout flag. When these flags are detected, set the CMDOFF bit in OPCR to 1, issue CMD12 and suspend the command sequence.
- The data remains in FIFO after the read sequence end. Set the SET[2:0] bits in DMACR to 100 to read all data in FIFO if necessary.
- Confirm the DMA transfer end and clear the DMAEN bit in DMACR to 0.
- Set the CMDOFF bit to 1 and clear DMACR to H'00 if a CRC error (CRCERI) or a command timeout error (CTERI) occurs in the command response reception.
- Set the CMDOFF bit to 1, clear DMACR to H'00, and clear FIFO if a CRC error (CRCERI) or a data timeout error (DTERI) occurs in the read data reception.

- Notes:
1. In multiple block transfer, when the command sequence is ended (the CMDOFF bit is written to 1) before command response reception (CRPI), the command response may not be received correctly. Therefore, to receive the command response correctly, the command sequence must be continued (set the RD_CONT bit to 1) until the command response reception ends.
 2. Access from the DMAC to FIFO must be done in bytes or words.

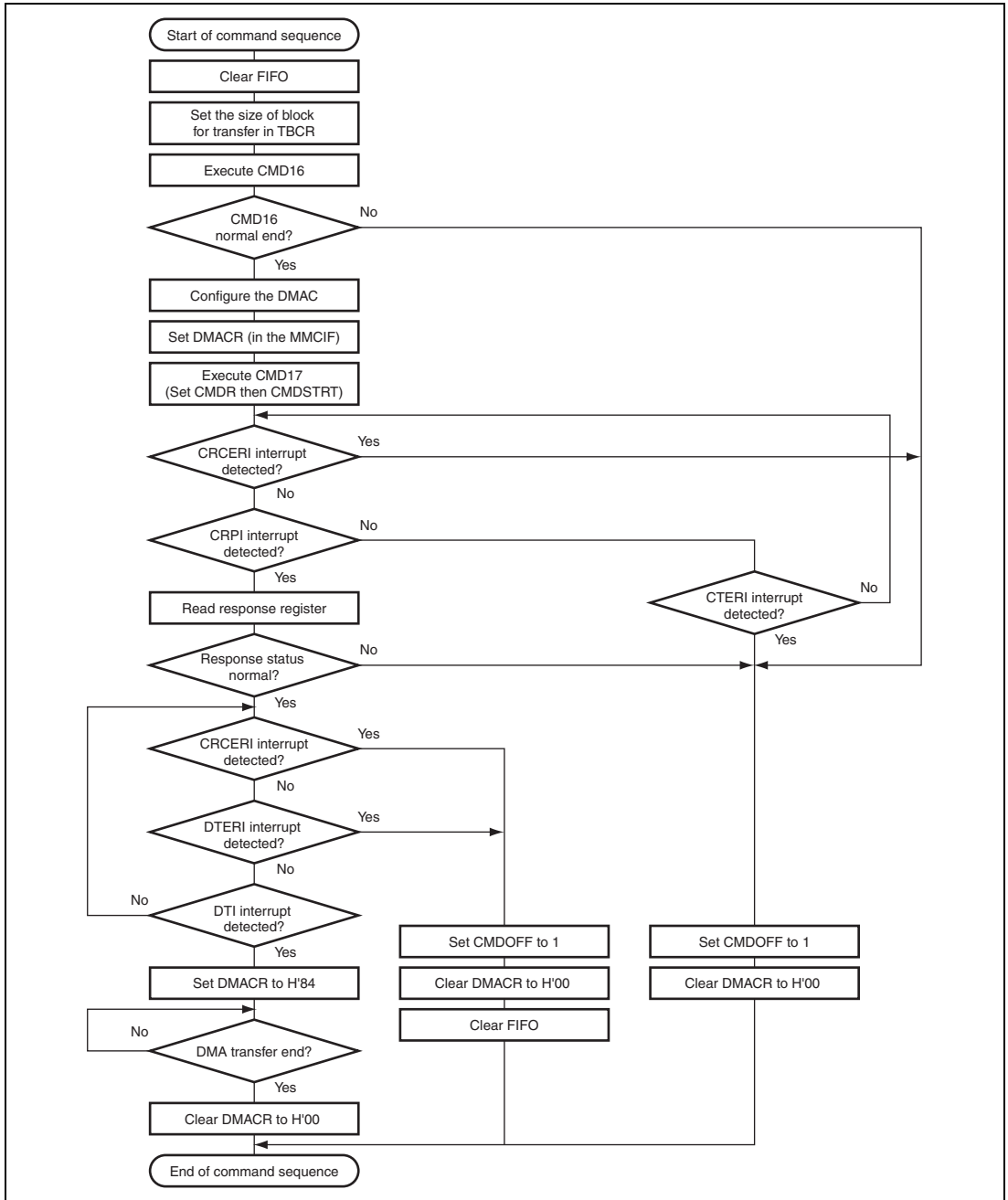


Figure 24.22 Example of Read Sequence Flow (Single Block Transfer)

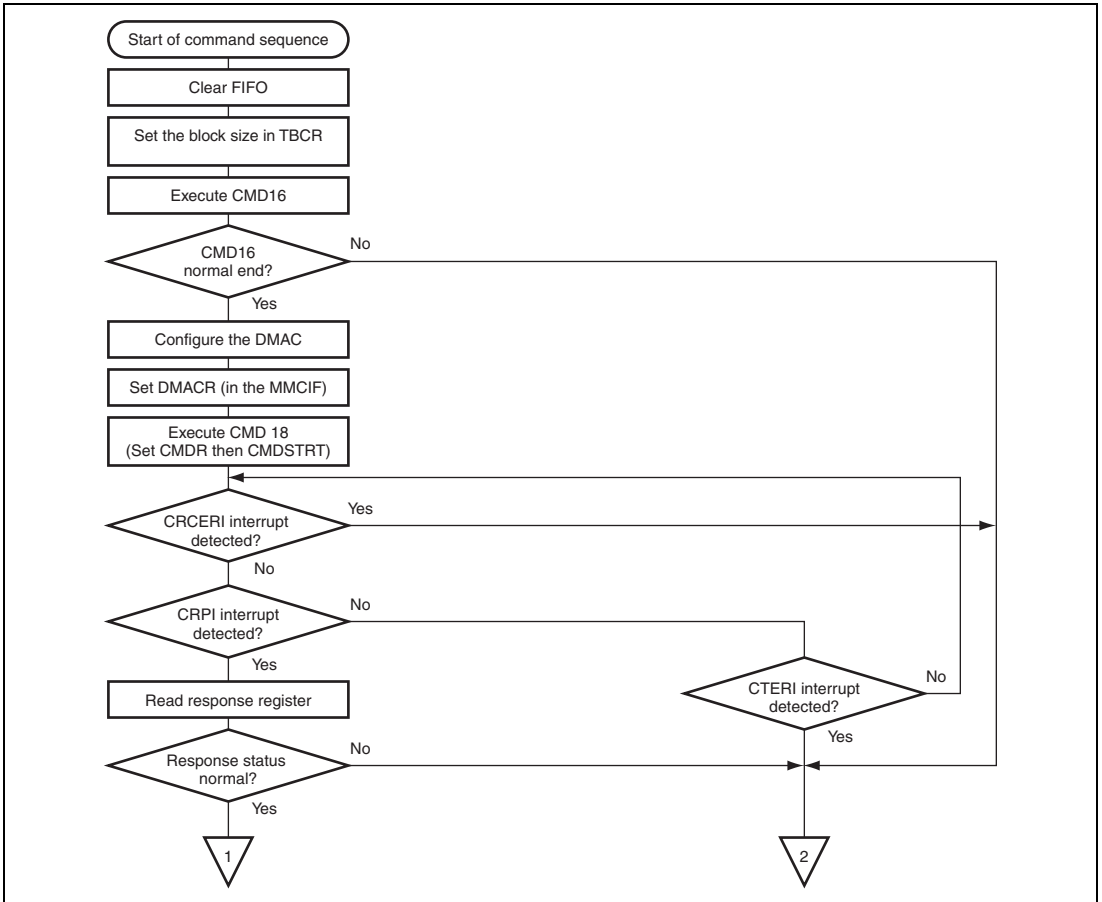


Figure 24.23 (1) Example of Read Sequence Flow (Open-ended Multiple Block Transfer)

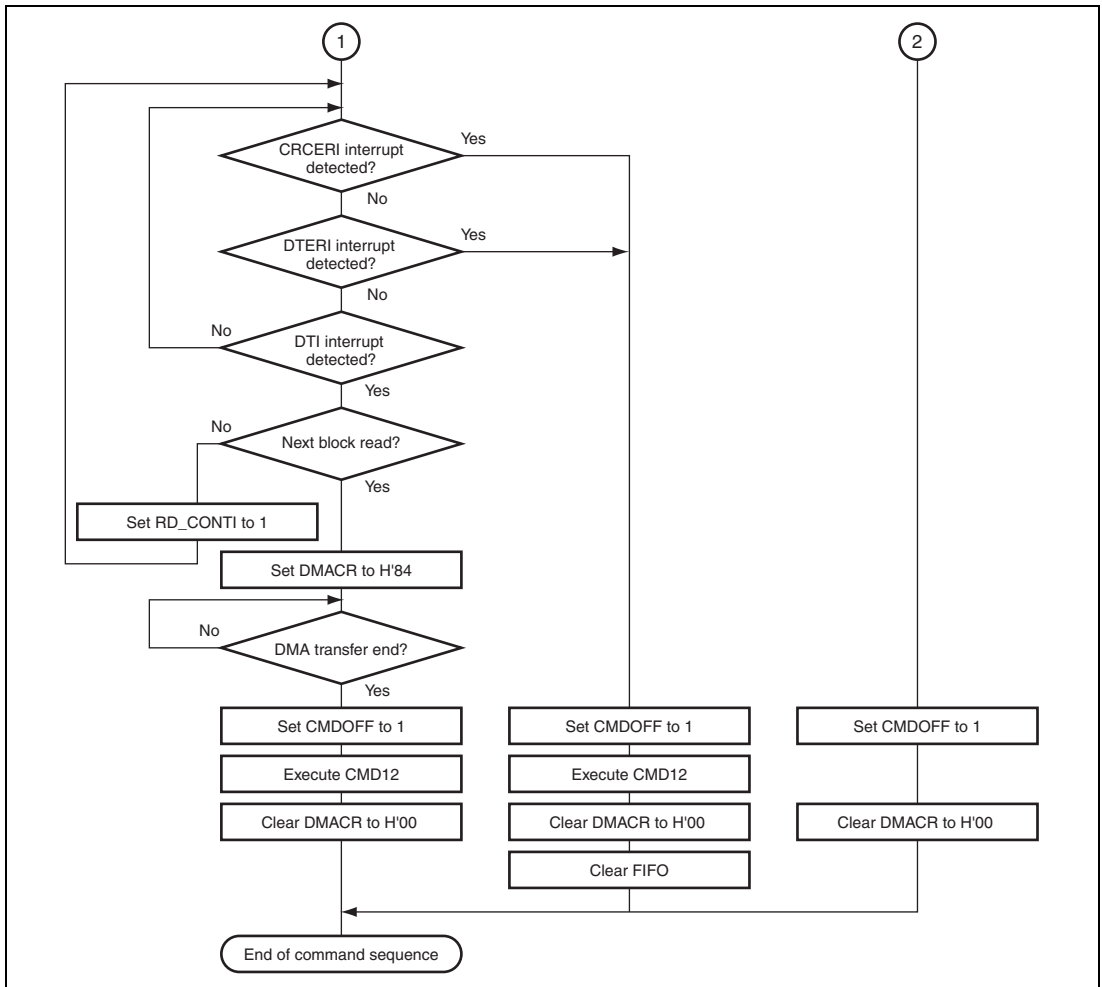


Figure 24.23 (2) Example of Read Sequence Flow (Open-ended Multiple Block Transfer)

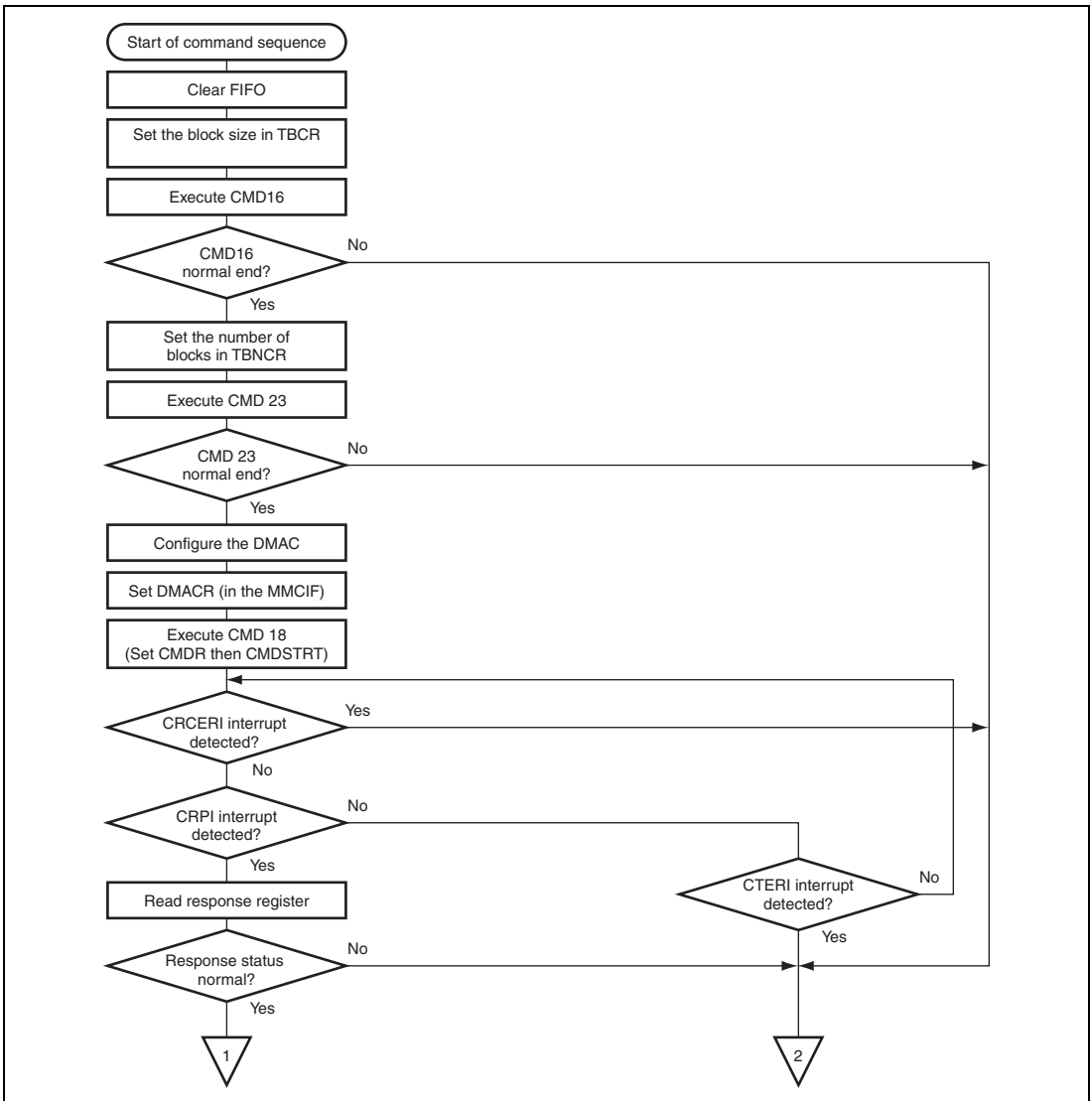


Figure 24.23 (3) Example of Read Sequence Flow (Pre-defined Multiple Block Transfer)

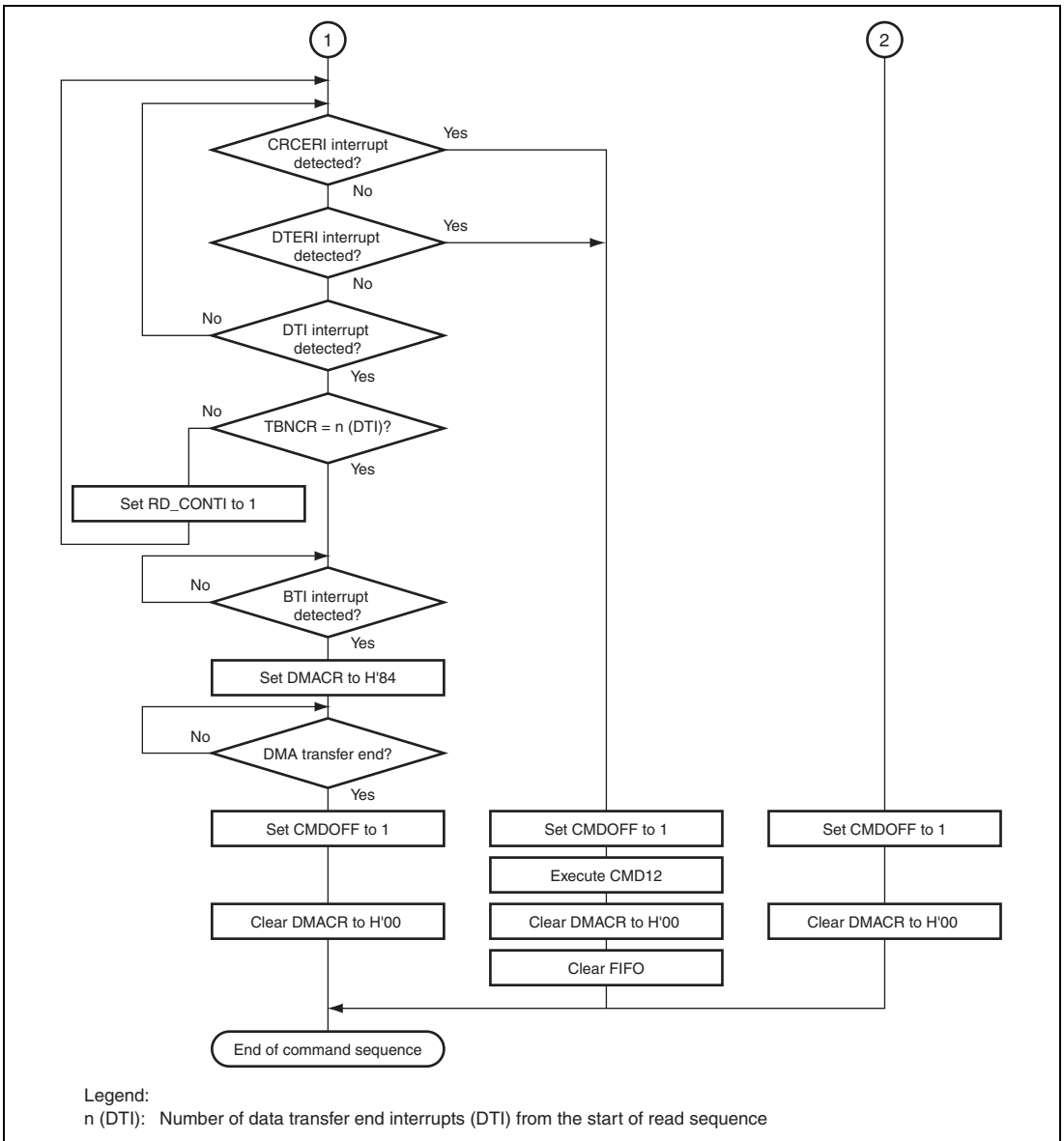


Figure 24.23 (4) Example of Read Sequence Flow (Pre-defined Multiple Block Transfer)

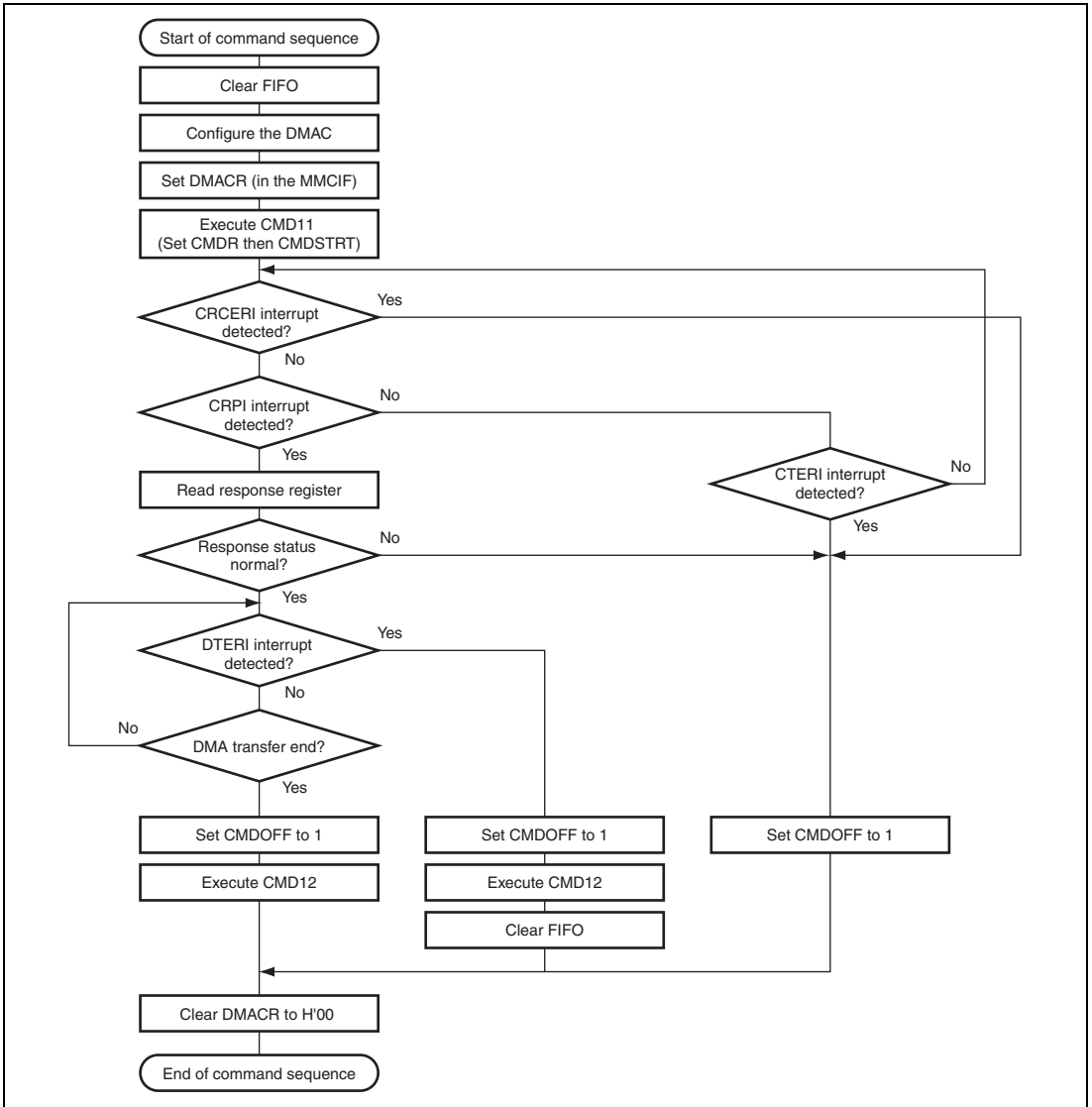


Figure 24.24 Example of Operational Flow for Stream Read Transfer

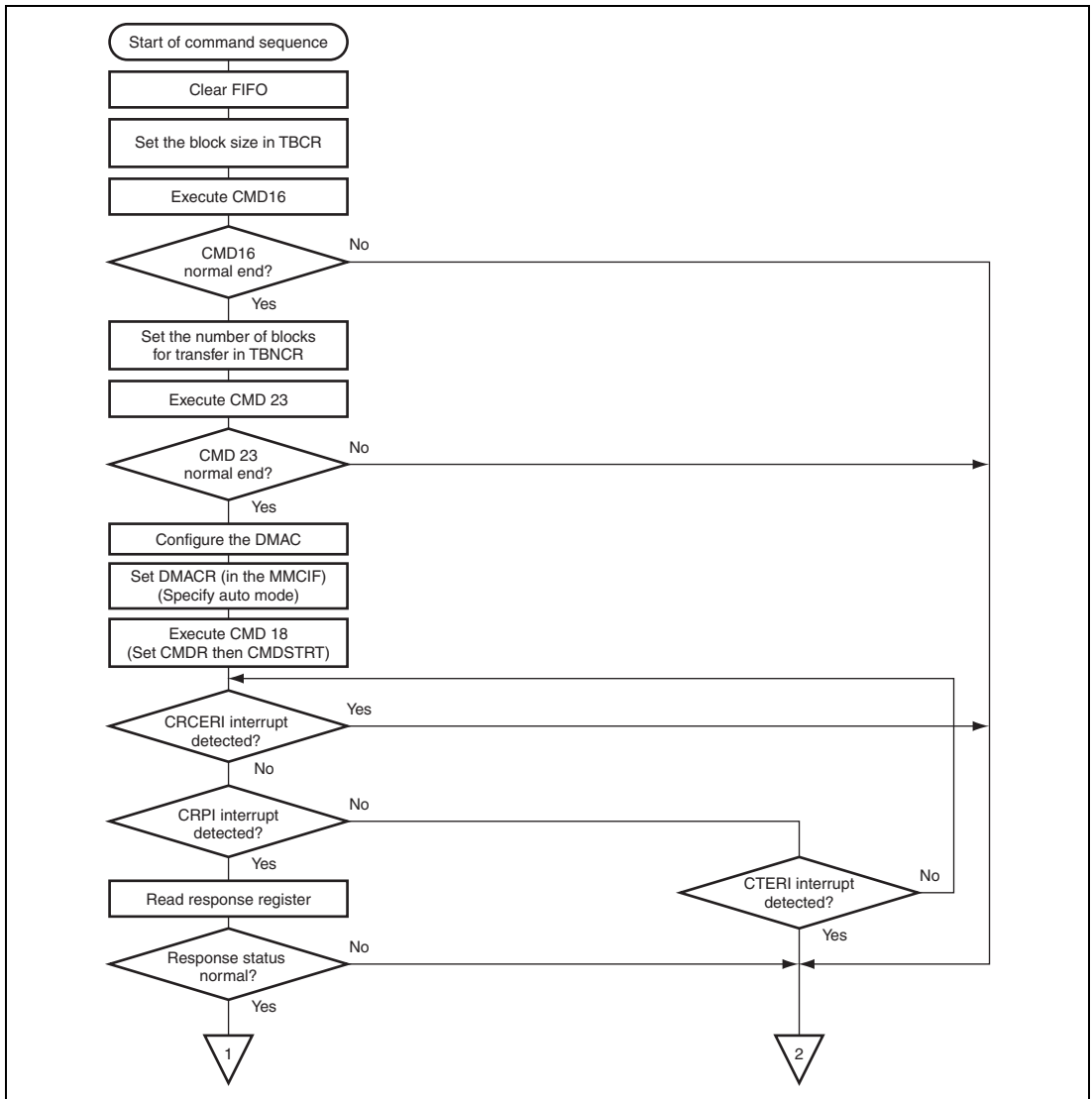


Figure 24.25 (1) Example of Operational Flow for Auto-mode Pre-defined Multiple Block Read Transfer

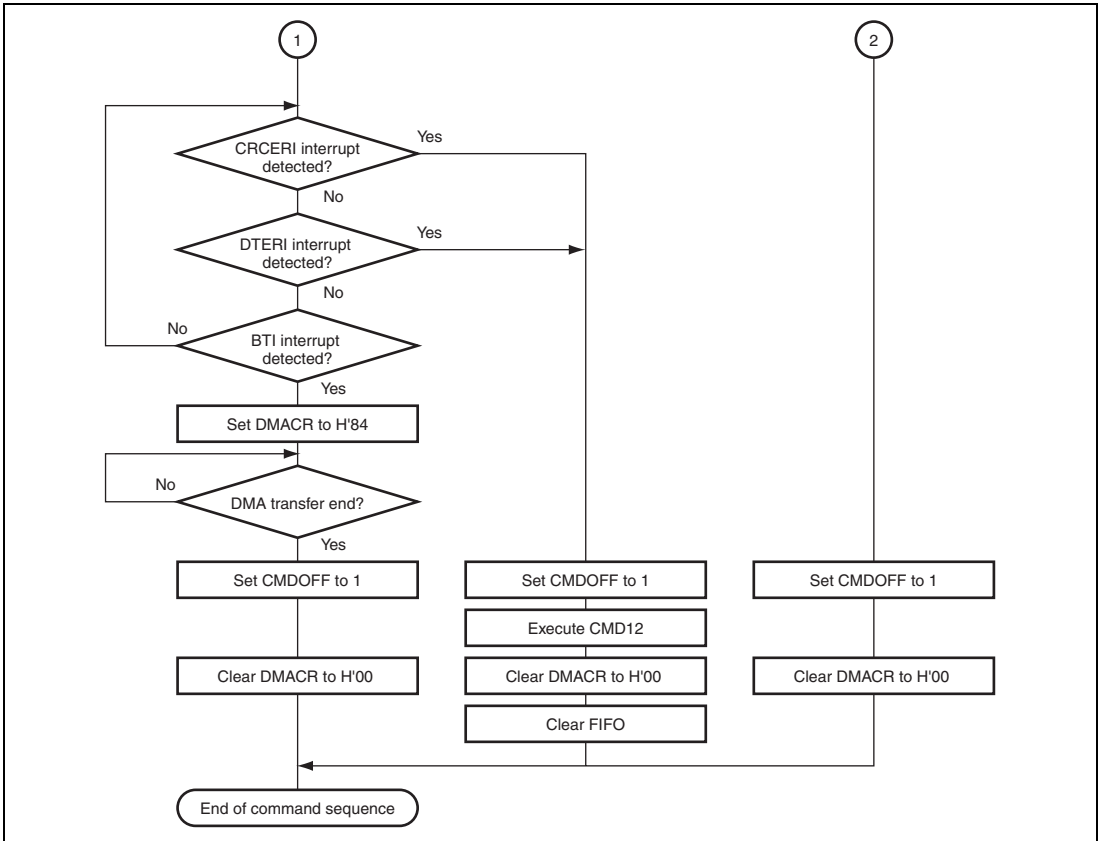


Figure 24.25 (2) Example of Operational Flow for Auto-mode Pre-defined Multiple Block Read Transfer

24.6.2 Operation in Write Sequence

To transfer data to FIFO with the DMAC, set MMCIF (DMACR) after setting the DMAC. Then, start transfer to the card after a FIFO ready interrupt. Figure 24.26 to 24.28 shows the operational flow for a write sequence.

- Clear FIFO.
- Transmit write command.
- Make settings in DMACR, and set write data to FIFO.
- Check whether data exceeding the DMACR setting condition is written to FIFO by a FIFO ready interrupt (FRDYI) or DMAC has transferred all data to FIFO. Then set 1 to the DATAEN bit in OPCR to start write-data transmission.
In a write to the card by stream transfer, the MMCIF continues data transfer to the card even after a FIFO empty interrupt is detected. Therefore, complete the write sequence after at least 24 card clock cycles.
- Confirm that the DMAC transfer is completed and be sure to clear the DMAEN bit in DMACR to 0.
- Set the CMDOFF bit to 1 if a CRC error (CRCERI) or a data timeout error (DTERI) occurs in the command response reception.
- Set the CMDOFF bit to 1, clear FIFO, and clear DMACR to H'00 if a CRC error (CRCERI) or a data timeout error (DTERI) occurs in the write data transmission.

When using DMA, an inter-block interrupt can be processed by hardware in pre-defined multiple block transfer by setting the AUTO bit in DMACR to 1. Figure 24.29 shows the operational flow for a pre-defined multiple block write sequence using auto-mode.

- Clear FIFO.
- Set the block number to TBNCR.
- Set the CMDSTART bit in CMDSTRT to 1 and begin command transmission.
- Command response is received from the card.
- A command timeout error (CTERI) is detected if a command response is not received from the card.
- Set DMACR and write data in FIFO.
- Confirm that the DMA transfer has been completed and clear the DMAEN bit in DMACR to 0.
- Detect the end of the command sequence by polling the BUSY flag in CSTR or through the pre-defined multiple block transfer end flag (BTI).

- An error in a command sequence (during data transmission) is detected through the CRC error flag (CRCERI) or data timeout error flag. When these flags are detected, set the CMDOFF bit in OPCR to 1, issue CMD12 (Stop Tran in SPI mode), and suspend the command sequence.
- Confirm there is no data busy state. Detect end of the data busy state by the data busy end flag (DBSYI).
- Detect whether in the data busy state through the DTBUSY bit in CSTR after data transfer end (after DRPI is detected). If still in the data busy state, wait for the DBSY flag to confirm that the data busy state has ended.
- Set the CMDOFF bit to 1 and end the command sequence.
- Set the CMDOFF bit to 1 and clear DMACR to H'00 if a CRC error (CRCERI) or a command timeout error (CTERI) occurs in the command response reception.
- Set the CMDOFF bit to 1, clear DMACR to H'00, and clear FIFO if a CRC error (CRCERI) or a data timeout error (DTERI) occurs in the write data transmission.

Note: Access from the DMAC to FIFO must be done in bytes or words.

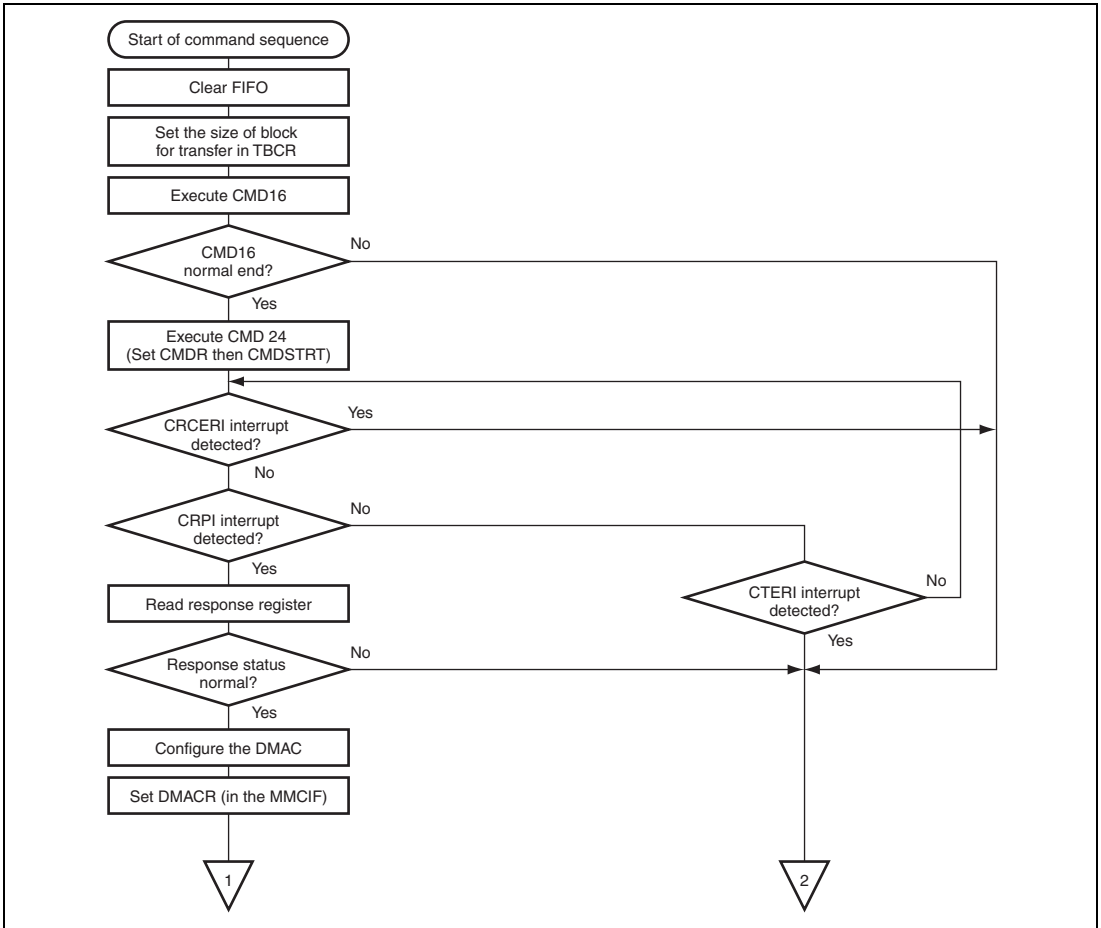


Figure 24.26 (1) Example of Write Sequence Flow (Single Block Transfer)

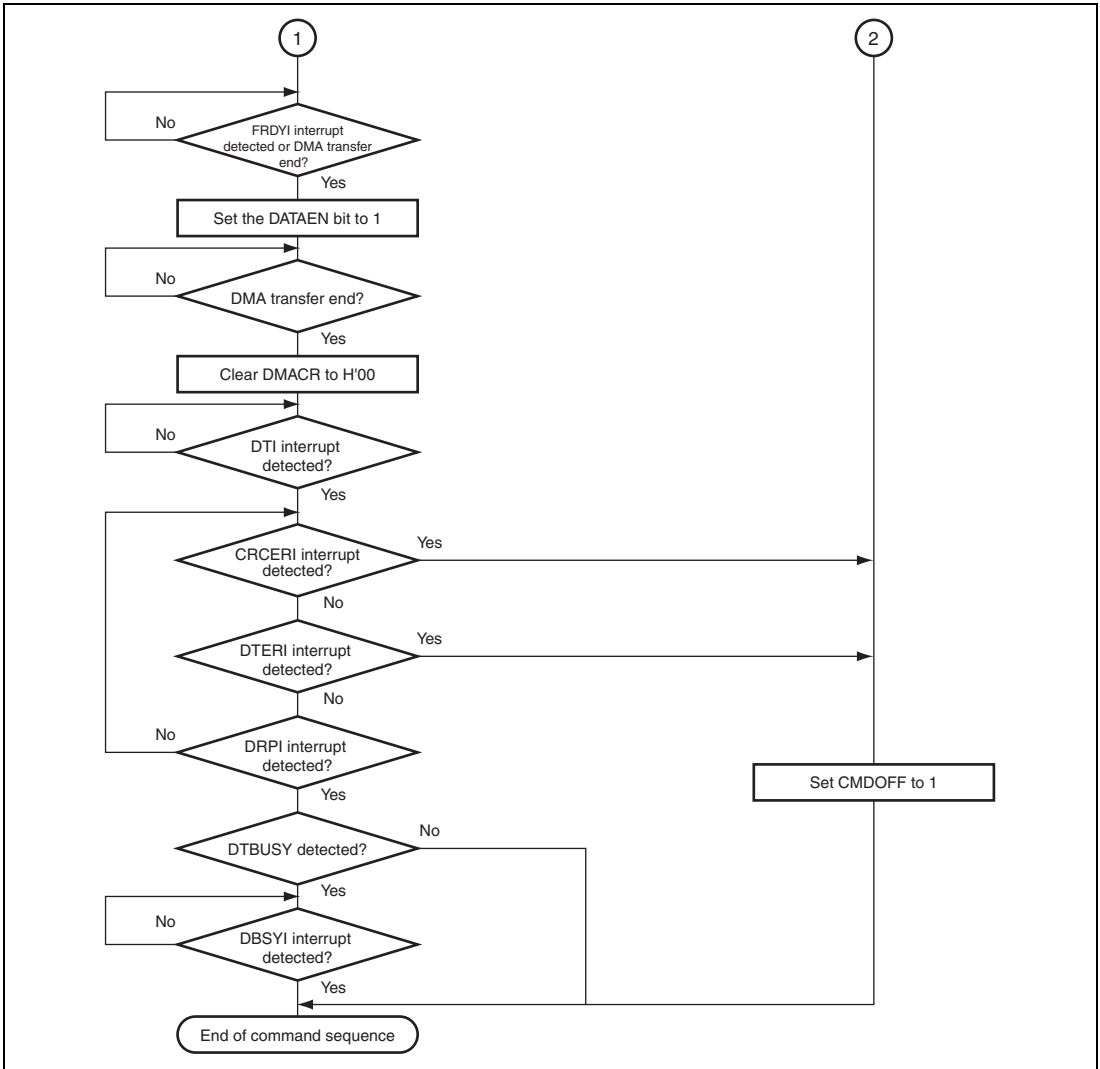


Figure 24.26 (2) Example of Write Sequence Flow (Single Block Transfer)

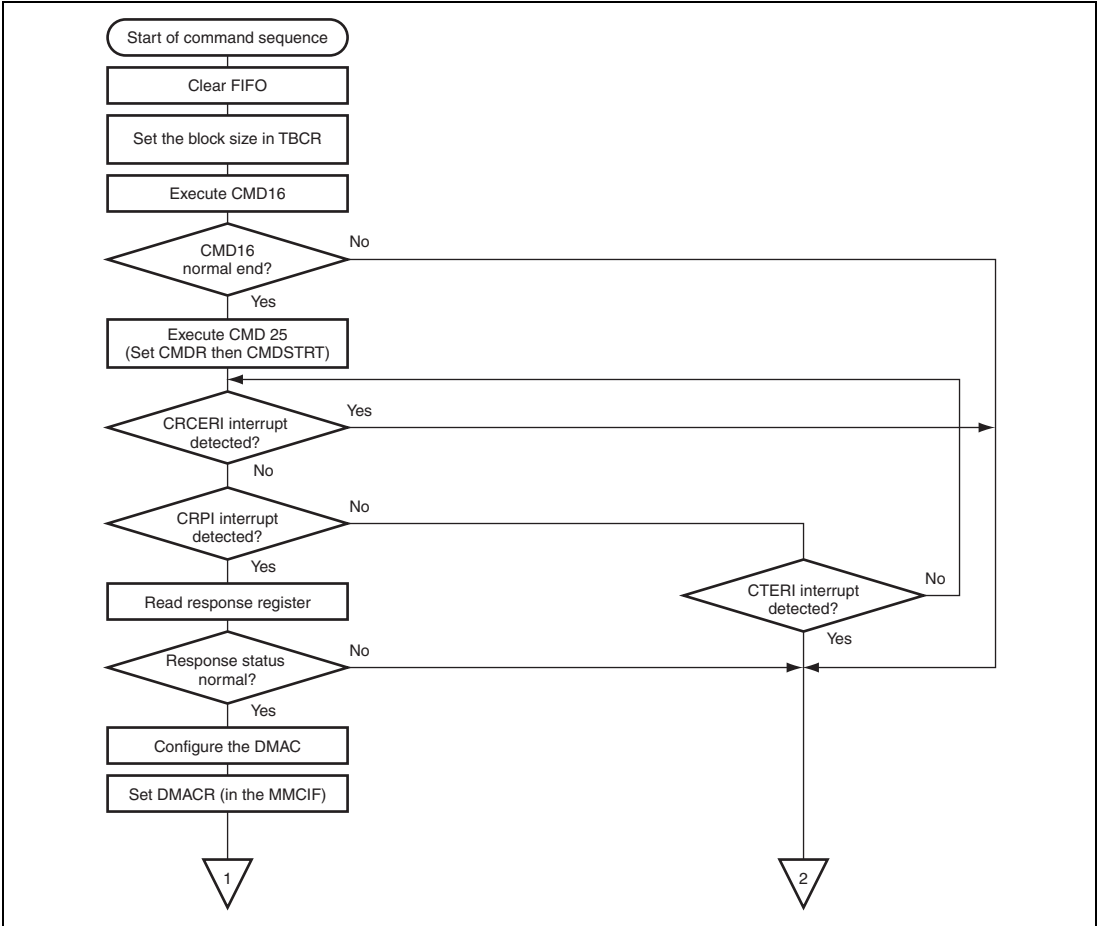


Figure 24.27 (1) Example of Write Sequence Flow (Open-ended Multiple Block Transfer)

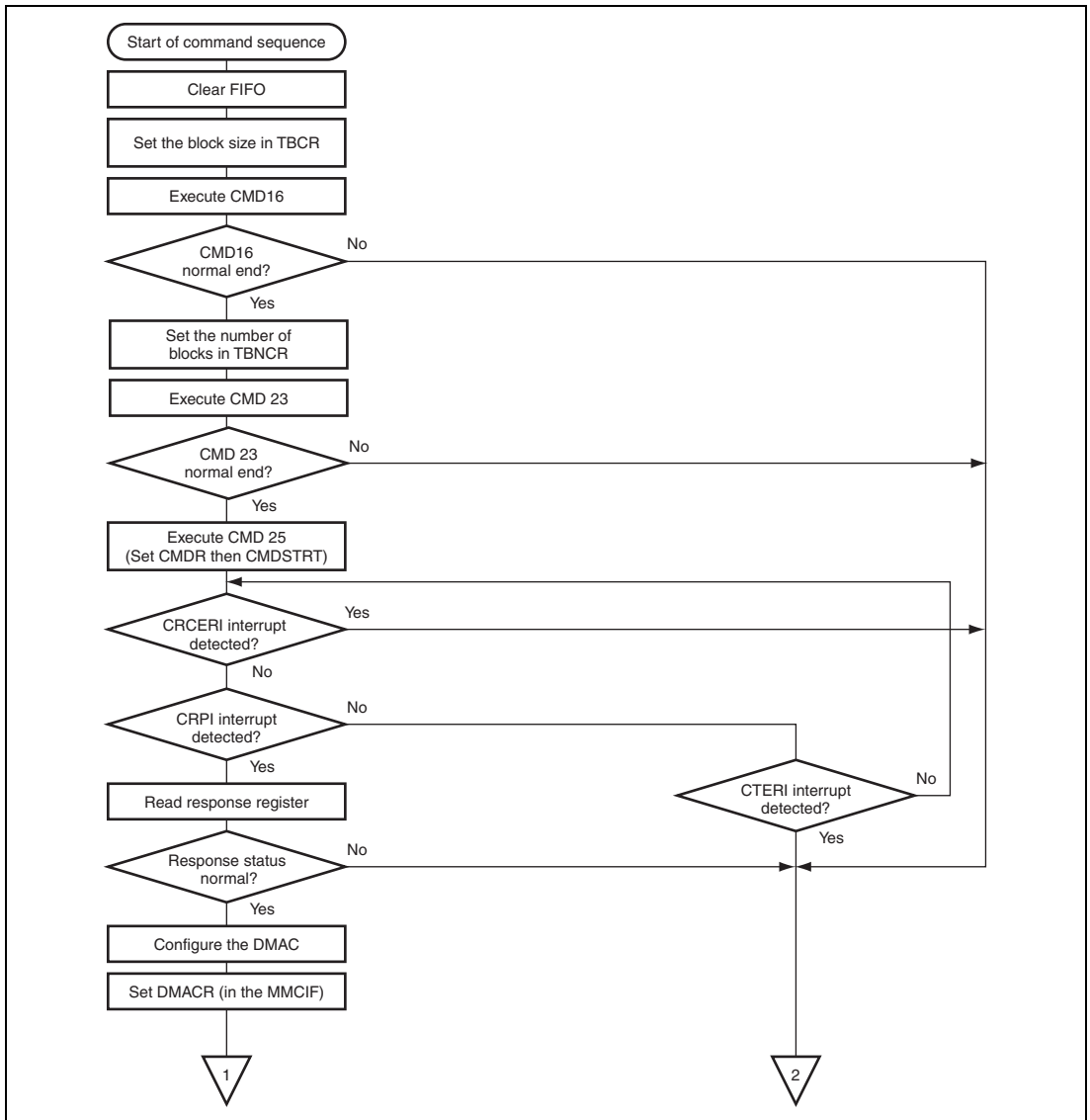


Figure 24.27 (3) Example of Write Sequence Flow (Pre-defined Multiple Block Transfer)

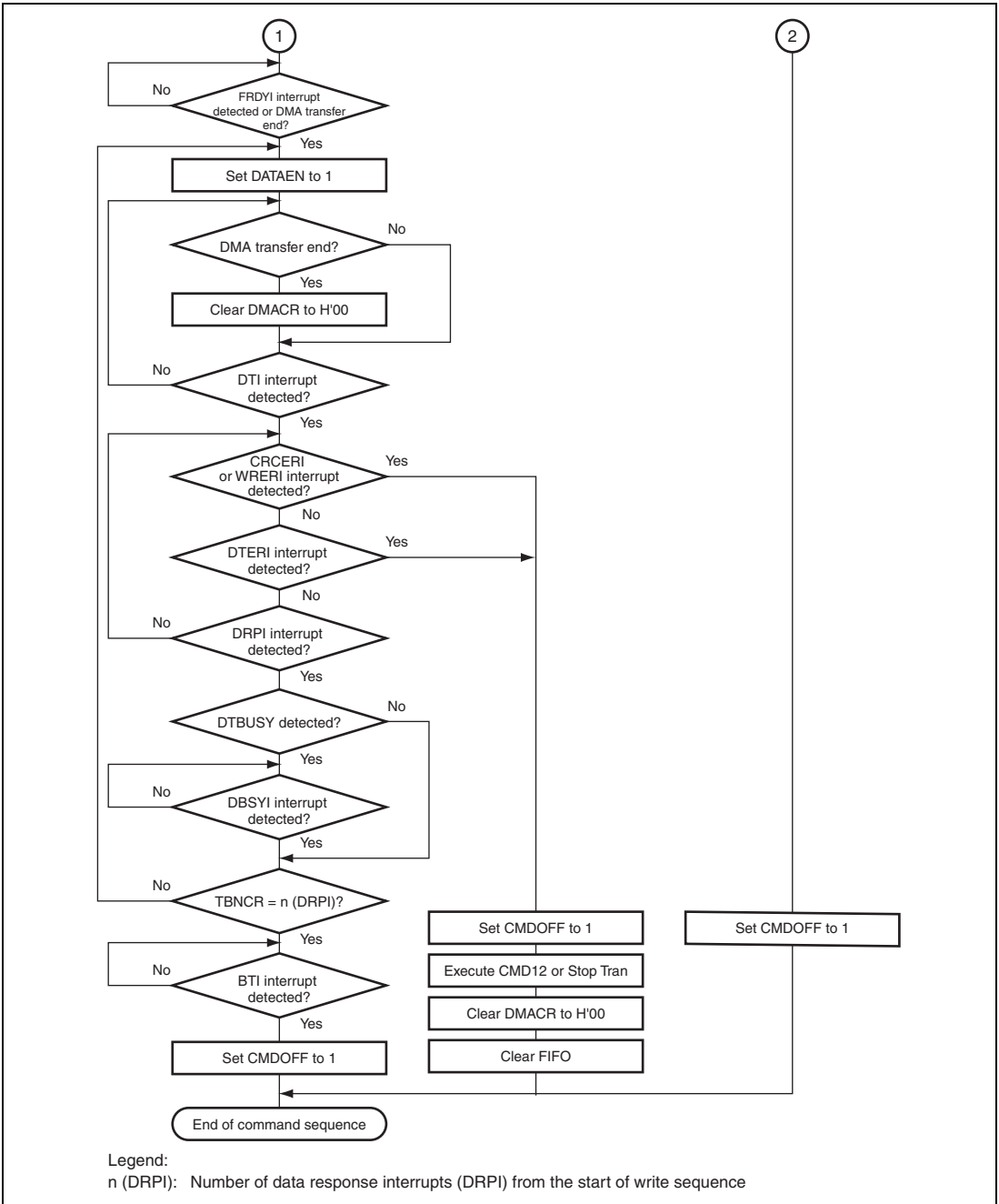


Figure 24.27 (4) Example of Write Sequence Flow (Pre-defined Multiple Block Transfer)

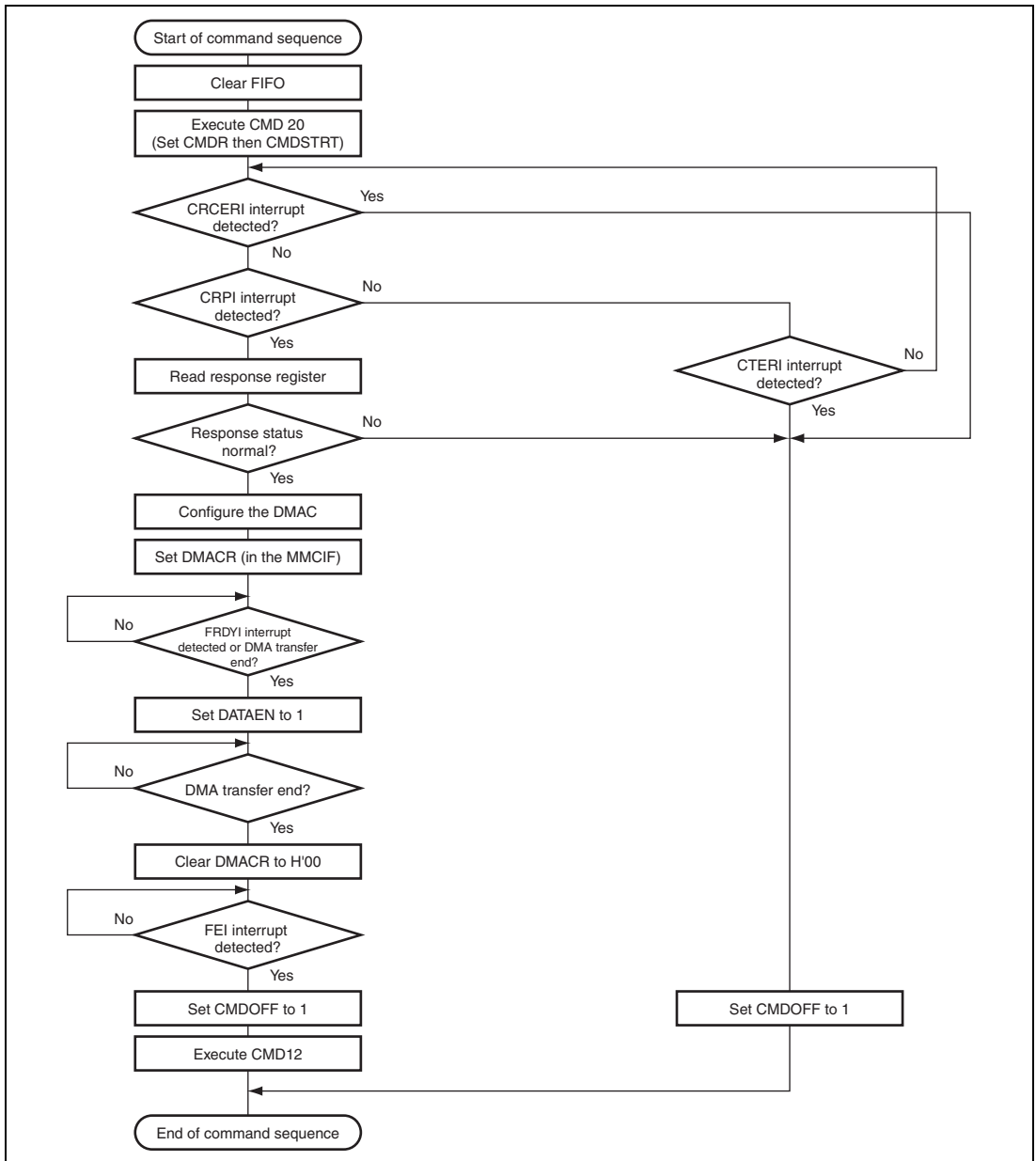


Figure 24.28 Example of Operational Flow for Stream Write Transfer

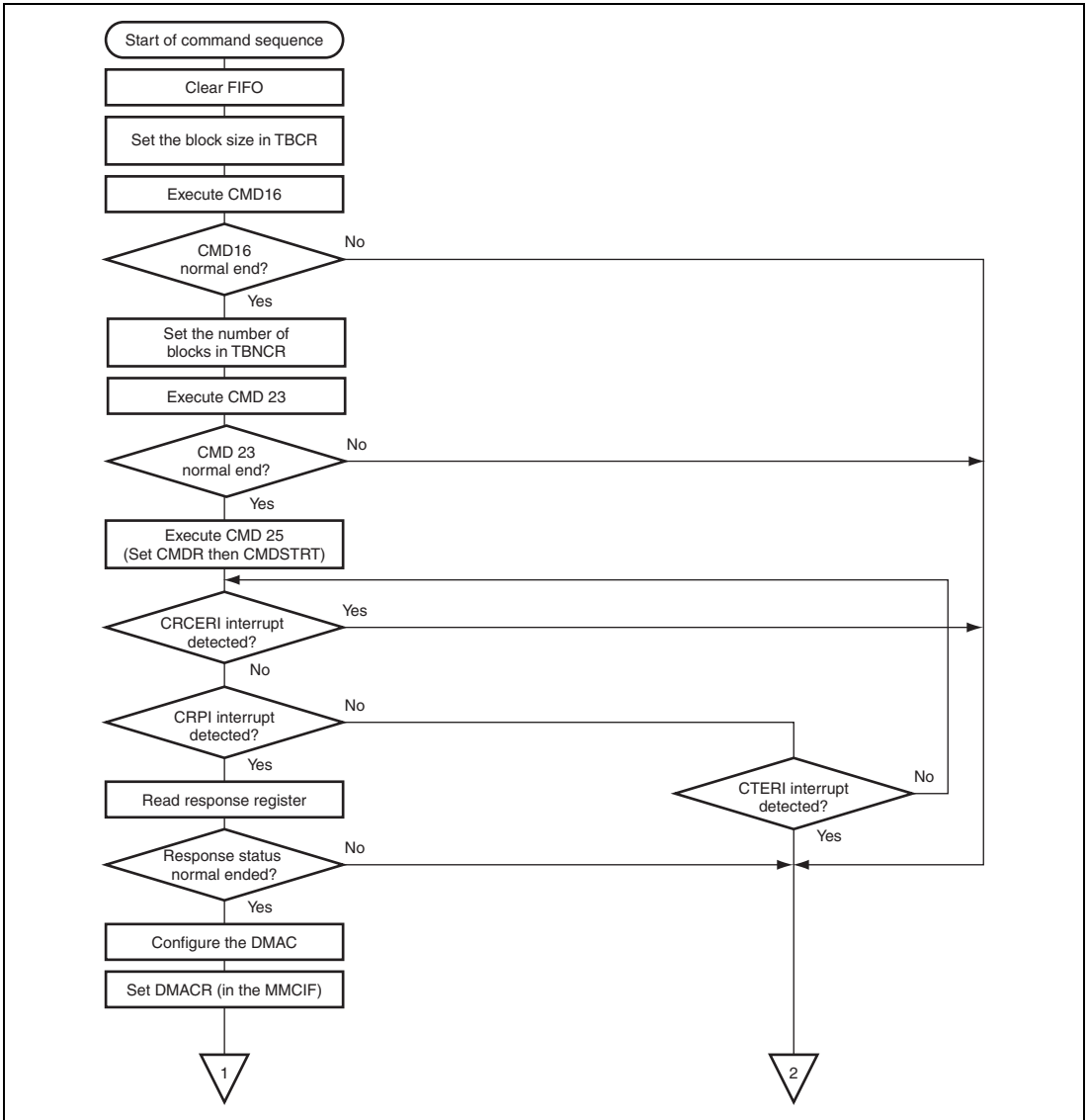


Figure 24.29 (1) Example of Operational Flow for Auto-mode Pre-defined Multiple Block Write Transfer

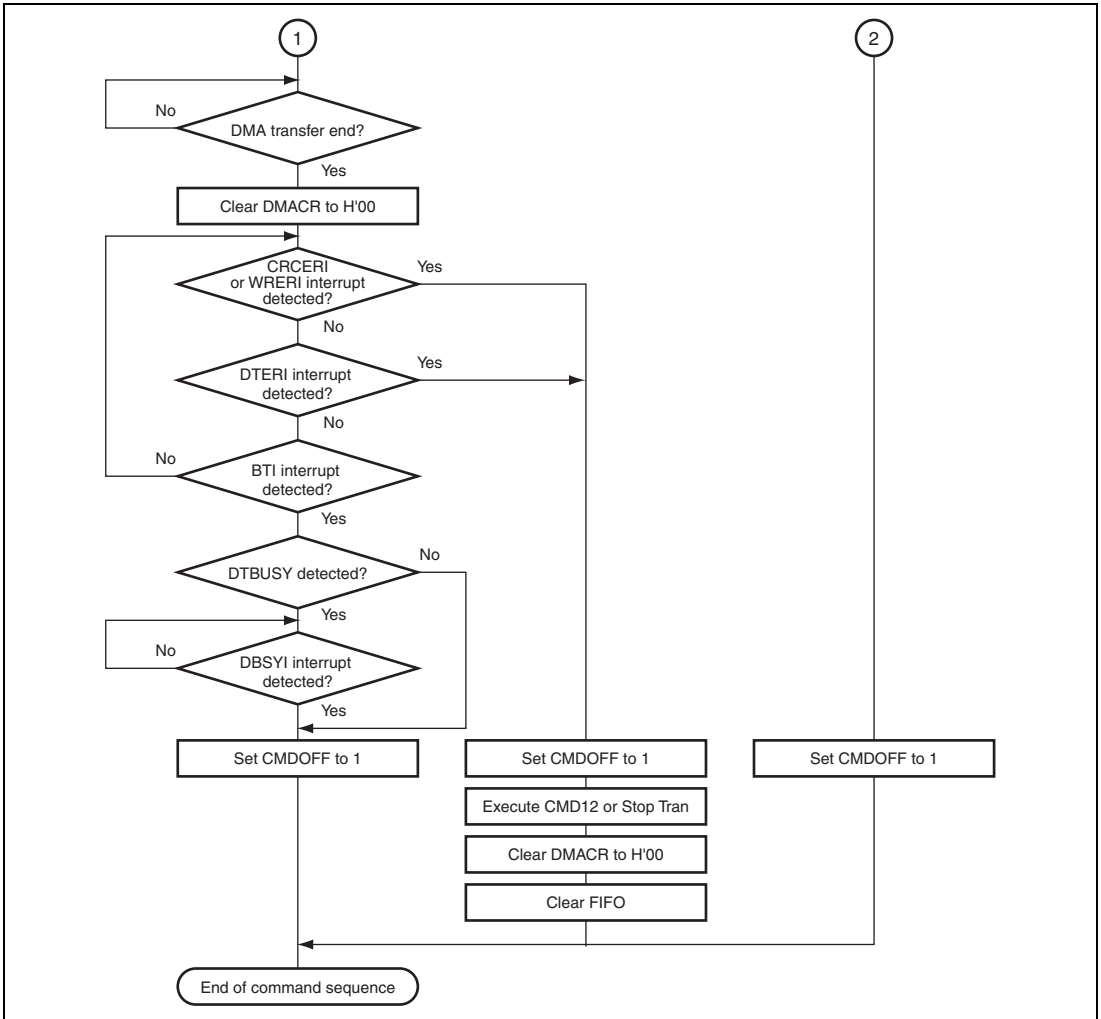


Figure 24.29 (2) Example of Operational Flow for Auto-mode Pre-defined Multiple Block Write Transfer

24.7 Register Accesses with Little Endian Specification

When the little endian is specified, the access size for registers or that for memory where the corresponding data is stored should be fixed. For example, if data read from the MMCIF with the word size is written to memory and then it is read from memory with the byte size, data misalignment occurs.

Section 25 Audio Codec Interface (HAC)

The HAC, the audio codec digital controller interface, supports a subset of Audio Codec 97 (AC'97) Version 2.1. The HAC provides serial transmission to/reception from the AC97 codec. Each channel of the HAC can be connected to a single audio codec device.

The HAC carries out data extraction from/insertion into audio frames. For data slots within both receive and transmit frames, the PIO transfer by the CPU or the DMA transfer by the DMAC can be used.

25.1 Features

The HAC has the following features:

- Supports a subset of digital interface to a single AC'97 revision 2.1 Audio Codec
- PIO transfer of status slots 1 and 2 in RX frames
- PIO transfer of command slots 1 and 2 in TX frames
- PIO transfer of data slots 3 and 4 in RX frames
- PIO transfer of data slots 3 and 4 in TX frames
- Selectable 16-bit or 20-bit DMA transfer of data slots 3 and 4 in RX frames
- Selectable 16-bit or 20-bit DMA transfer of data slots 3 and 4 in TX frames
- Accommodates various sampling rates by qualifying slot data with tag bits and monitoring the TX frame request bits of RX frames
- Generates data ready, data request, overrun and underrun interrupts
- Supports cold reset, warm reset, and power-down mode

Figure 25.1 shows a block diagram of the HAC.

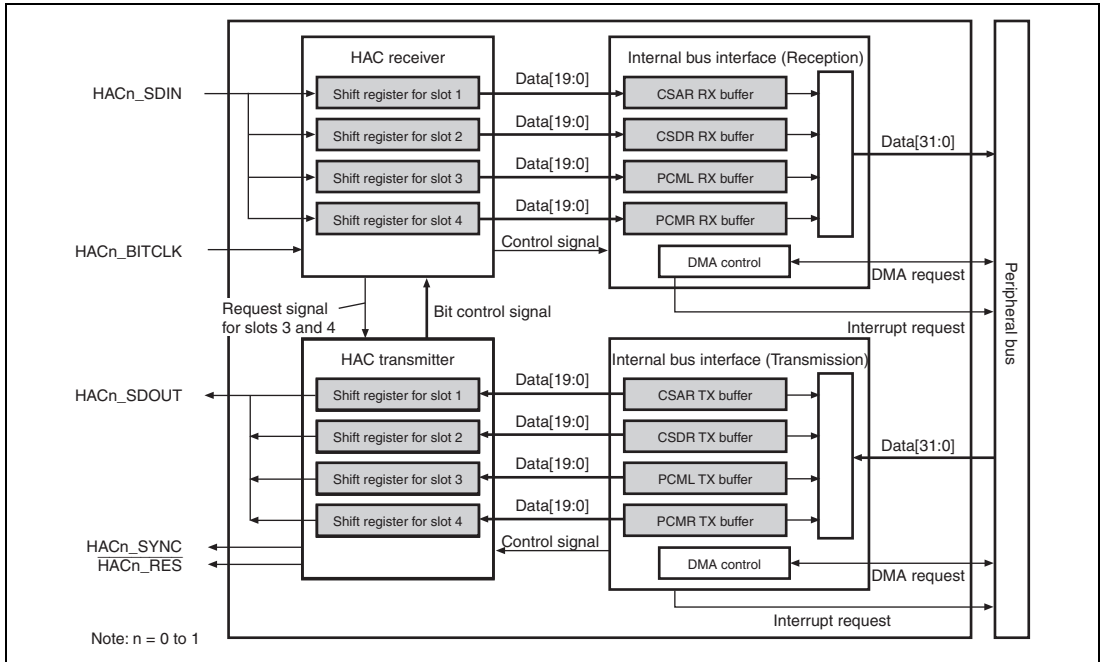


Figure 25.1 Block Diagram

25.2 Input/Output Pins

Table 25.1 describes the HAC pin configuration.

Table 25.1 Pin Configuration

Pin Name	Pin Count	I/O	Function
HAC0_BITCLK	1	Input	Serial data clock
HAC0_SDIN	1	Input	RX frame serial input data
HAC0_SDOUT	1	Output	TX frame serial output data
HAC0_SYNC	1	Output	Frame sync
HAC1_BITCLK	1	Input	Serial data clock
HAC1_SDIN	1	Input	RX frame serial input data
HAC1_SDOUT	1	Output	TX frame serial output data
HAC1_SYNC	1	Output	Frame sync
HAC_RES	1	Output	Reset (negative logic signal) (common to channels 0 and 1)

25.3 Register Descriptions

The following shows the HAC registers. In this manual, the registers are not discriminated by the channel.

Table 25.2 Register Configuration (1)

Channel	Register Name	Abbrev.	R/W	P4 Address	Area 7 Address	Size	Sync Clock
0	Control and status register 0	HACCR0	R/W	H'FFE3 0008	H'1FE3 0008	32	Pck
0	Command/status address register 0	HACCSAR0	R/W	H'FFE3 0020	H'1FE3 0020	32	Pck
0	Command/status data register 0	HACCSDR0	R/W	H'FFE3 0024	H'1FE3 0024	32	Pck
0	PCM left channel register 0	HACPCML0	R/W	H'FFE3 0028	H'1FE3 0028	32	Pck
0	PCM right channel register 0	HACPCMR0	R/W	H'FFE3 002C	H'1FE3 002C	32	Pck
0	TX interrupt enable register 0	HACTIER0	R/W	H'FFE3 0050	H'1FE3 0050	32	Pck
0	TX status register 0	HACTSR0	R/W	H'FFE3 0054	H'1FE3 0054	32	Pck
0	RX interrupt enable register 0	HACRIER0	R/W	H'FFE3 0058	H'1FE3 0058	32	Pck
0	RX status register 0	HACRSR0	R/W	H'FFE3 005C	H'1FE3 005C	32	Pck
0	HAC control register 0	HACACR0	R/W	H'FFE3 0060	H'1FE3 0060	32	Pck
1	Control and status register 1	HACCR1	R/W	H'FFE4 0008	H'1FE4 0008	32	Pck
1	Command/status address register 1	HACCSAR1	R/W	H'FFE4 0020	H'1FE4 0020	32	Pck
1	Command/status data register 1	HACCSDR1	R/W	H'FFE4 0024	H'1FE4 0024	32	Pck
1	PCM left channel register 1	HACPCML1	R/W	H'FFE4 0028	H'1FE4 0028	32	Pck
1	PCM right channel register 1	HACPCMR1	R/W	H'FFE4 002C	H'1FE4 002C	32	Pck
1	TX interrupt enable register 1	HACTIER1	R/W	H'FFE4 0050	H'1FE4 0050	32	Pck
1	TX status register 1	HACTSR1	R/W	H'FFE4 0054	H'1FE4 0054	32	Pck
1	RX interrupt enable register 1	HACRIER1	R/W	H'FFE4 0058	H'1FE4 0058	32	Pck
1	RX status register 1	HACRSR1	R/W	H'FFE4 005C	H'1FE4 005C	32	Pck
1	HAC control register 1	HACACR1	R/W	H'FFE4 0060	H'1FE4 0060	32	Pck

Table 25.2 Register Configuration (2)

Channel	Register Name	Abbrev.	Power-on Reset by PRESET Pin/WDT/ H-UDI	Manual Reset by WDT/ Multiple Exceptions	Sleep by Sleep Instruction	Module Standby	Deep Sleep
0	Control and status register 0	HACCRO	H'0000 0200	H'0000 0200	Retained	Retained	Retained
0	Command/status address register 0	HACCSARO	H'0000 0000	H'0000 0000	Retained	Retained	Retained
0	Command/status data register 0	HACCSDRO	H'0000 0000	H'0000 0000	Retained	Retained	Retained
0	PCM left channel register 0	HACPCML0	H'0000 0000	H'0000 0000	Retained	Retained	Retained
0	PCM right channel register 0	HACPCMR0	H'0000 0000	H'0000 0000	Retained	Retained	Retained
0	TX interrupt enable register 0	HACTIER0	H'0000 0000	H'0000 0000	Retained	Retained	Retained
0	TX status register 0	HACTSR0	H'F000 0000	H'F000 0000	Retained	Retained	Retained
0	RX interrupt enable register 0	HACRIER0	H'0000 0000	H'0000 0000	Retained	Retained	Retained
0	RX status register 0	HACRSR0	H'0000 0000	H'0000 0000	Retained	Retained	Retained
0	HAC control register 0	HACACR0	H'8400 0000	H'8400 0000	Retained	Retained	Retained

Channel	Register Name	Abbrev.	Power-on Reset by <u>PRESET</u> Pin/WDT/ H-UDI	Manual Reset by WDT/ Multiple Exceptions	Sleep by Sleep Instruction	Module Standby	Deep Sleep
1	Control and status register 1	HACCR1	H'0000 0200	H'0000 0200	Retained	Retained	Retained
1	Command/status address register 1	HACCSAR1	H'0000 0000	H'0000 0000	Retained	Retained	Retained
1	Command/status data register 1	HACCSDR1	H'0000 0000	H'0000 0000	Retained	Retained	Retained
1	PCM left channel register 1	HACPCML1	H'0000 0000	H'0000 0000	Retained	Retained	Retained
1	PCM right channel register 1	HACPCMR1	H'0000 0000	H'0000 0000	Retained	Retained	Retained
1	TX interrupt enable register 1	HACTIER1	H'0000 0000	H'0000 0000	Retained	Retained	Retained
1	TX status register 1	HACTSR1	H'F000 0000	H'F000 0000	Retained	Retained	Retained
1	RX interrupt enable register 1	HACRIER1	H'0000 0000	H'0000 0000	Retained	Retained	Retained
1	RX status register 1	HACRSR1	H'0000 0000	H'0000 0000	Retained	Retained	Retained
1	HAC control register 1	HACACR1	H'8400 0000	H'8400 0000	Retained	Retained	Retained

25.3.1 Control and Status Register (HACCR)

HACCR is a 32-bit read/write register for controlling input/output and monitoring the interface status.

Bit:	31	30	29	28	27	26	25	24	23	22	21	20	19	18	17	16
	—	—	—	—	—	—	—	—	—	—	—	—	—	—	—	—
Initial value:	0	0	0	0	0	0	0	0	0	0	0	0	0	0	0	0
R/W:	R	R	R	R	R	R	R	R	R	R	R	R	R	R	R	R
Bit:	15	14	13	12	11	10	9	8	7	6	5	4	3	2	1	0
	CR	—	—	—	CDRT	WMRT	—	—	—	—	ST	—	—	—	—	—
Initial value:	0	0	0	0	0	0	1	0	0	0	0	0	0	0	0	0
R/W:	R	R	R	R	W	W	R	R	R	R	W	R	R	R	R	R

Bit	Bit Name	Initial Value	R/W	Description
31 to 16	—	All 0	R	Reserved These bits are always read as 0. The write value should always be 0.
15	CR	0	R	Codec Ready 0: The HAC-connected codec is not ready. 1: The HAC-connected codec is ready.
14 to 12	—	All 0	R	Reserved These bits are always read as 0. Write prohibited.
11	CDRT	0	W	HAC Cold Reset Use a cold reset only after power-on, or only to exit from the power-down mode by the power-down command. [Write] 0: Always write 0 to this bit before writing 1 again. (When this bit is changed from 0 to 1, a cold reset is performed.) 1: Performs a cold reset on the HAC-connected codec. [Read] Always read as 0.

Bit	Bit Name	Initial Value	R/W	Description
10	WMRT	0	W	<p>HAC Warm Reset</p> <p>Use a warm reset only after power-up, or only to exit from the power-down mode by the power-down command.</p> <p>[Write]</p> <p>0: Always write 0 to this bit before writing 1 again. (When this bit is changed from 0 to 1, a warm reset is performed.)</p> <p>1: Performs a warm reset on the HAC-connected codec.</p> <p>[Read]</p> <p>Always read as 0.</p>
9	—	1	R	<p>Reserved</p> <p>This bit is always read as 1. The write value should always be 1.</p>
8 to 6	—	All 0	R	<p>Reserved</p> <p>These bits are always read as 0. The write value should always be 0.</p>
5	ST	0	W	<p>Start Transfer</p> <p>[Write]</p> <p>0: Stops data transmission/reception at the end of the current frame. Do not take this action to terminate transmission/reception in normal operation. When terminating transmission/reception in normal operation, refer to the following description.</p> <p>1: Starts data transmission/reception.</p> <p>[Read]</p> <p>Always read as 0.</p>
4 to 0	—	All 0	R	<p>Reserved</p> <p>These bits are always read as 0. The write value should always be 0.</p>

To place the off-chip codec device into the power-down mode, write 1 to bit 12 of the register index 26 in the off-chip codec via the HAC. When entering the power-down mode, the off-chip codec stops HAC_BITCLK and suspends the normal operation. The off-chip codec acts in the same manner at power-on. To resume the normal operation, perform a cold reset or a warm reset on the off-chip codec.

25.3.2 Command/Status Address Register (HACCSAR)

HACCSAR is a 32-bit read/write register that specifies the address of the codec register to be read/written. When requesting a write to/read from a codec register, write the command register address to HACCSAR and set the ST bit in the HACCR register to 1. The HAC then transmits this register address to the codec via slot 1.

After the codec has responded to a read request (HACRSR.STARY = 1), the status address received via slot 1 can be read out from HACCSAR.

Bit:	31	30	29	28	27	26	25	24	23	22	21	20	19	18	17	16
	—	—	—	—	—	—	—	—	—	—	—	—	RW	CA6/ SA6	CA5/ SA5	CA4/ SA4
Initial value:	0	0	0	0	0	0	0	0	0	0	0	0	0	0	0	0
R/W:	R	R	R	R	R	R	R	R	R	R	R	R	R/W	R/W	R/W	R/W
Bit:	15	14	13	12	11	10	9	8	7	6	5	4	3	2	1	0
	CA3/ SA3	CA2/ SA2	CA1/ SA1	CA0/ SA0	SLR EQ3	SLR EQ4	SLR EQ5	SLR EQ6	SLR EQ7	SLR EQ8	SLR EQ9	SLR EQ10	SLR EQ11	SLR EQ12	—	—
Initial value:	0	0	0	0	0	0	0	0	0	0	0	0	0	0	0	0
R/W:	R/W	R/W	R/W	R/W	R	R	R	R	R	R	R	R	R	R	R	R

Bit	Bit Name	Initial Value	R/W	Description
31 to 20	—	All 0	R	Reserved These bits are always read as 0. The write value should always be 0.
19	RW	0	R/W	Codec Read/Write Command 0: Notifies the off-chip codec device of a write access to the register specified in the address field (CA6/SA6 to CA0/SA0). Write the data to HACCSSDR in advance. When HACACR.TX12_ATOMIC is 1, the HAC transmits HACCSAR and HACCSSDR as a pair in the same TX frame. When HACACR.TX12_ATOMIC is 0, transmission of HACCSAR and HACCSSDR in the same TX frame is not guaranteed. 1: Notifies the off-chip codec device of a read access to the register specified in the address field (CA6/SA6 to CA0/SA0).

Bit	Bit Name	Initial Value	R/W	Description
18	CA6/SA6	0	R/W	Codec Control Register Addresses 6 to 0/Codec Status Register Addresses 6 to 0
17	CA5/SA5	0	R/W	[Write]
16	CA4/SA4	0	R/W	Specify the address of the codec register to be written.
15	CA3/SA3	0	R/W	[Read]
14	CA2/SA2	0	R/W	Indicate the status address received via slot 1, corresponding to the codec register whose data has been returned in HACCSDR.
13	CA1/SA1	0	R/W	
12	CA0/SA0	0	R/W	
11	SLREQ3	0	R	Slot Requests 3 to 12
10	SLREQ4	0	R	Valid only in the RX frame. Indicate whether the codec is requesting slot data in the next TX frame.
9	SLREQ5	0	R	Automatically set by hardware, and correspond to bits 11 to 2 of slot 1 in the RX frame.
8	SLREQ6	0	R	0: Slot data is requested.
7	SLREQ7	0	R	1: Slot data is not requested.
6	SLREQ8	0	R	
5	SLREQ9	0	R	
4	SLREQ10	0	R	
3	SLREQ11	0	R	
2	SLREQ12	0	R	
1, 0	—	All 0	R	Reserved These bits are always read as 0. The write value should always be 0.

25.3.3 Command/Status Data Register (HACCSSDR)

HACCSSDR is a 32-bit read/write data register used for accessing the codec register. Write the command data to HACCSSDR and set the ST bit in the HACCR register to 1. The HAC then transmits the data to the codec via slot 2.

After the codec has responded to a read request (HACRSR.STDRY = 1), the status data received via slot 2 can be read out from HACCSSDR. In both read and write, HACCSAR stores the related codec register address.

Bit:	31	30	29	28	27	26	25	24	23	22	21	20	19	18	17	16
	—	—	—	—	—	—	—	—	—	—	—	—	CD15/ SD15	CD14/ SD14	CD13/ SD13	CD12/ SD12
Initial value:	0	0	0	0	0	0	0	0	0	0	0	0	0	0	0	0
R/W:	R	R	R	R	R	R	R	R	R	R	R	R	R/W	R/W	R/W	R/W
Bit:	15	14	13	12	11	10	9	8	7	6	5	4	3	2	1	0
	CD11/ SD11	CD10/ SD10	CD9/ SD9	CD8/ SD8	CD7/ SD7	CD6/ SD6	CD5/ SD5	CD4/ SD4	CD3/ SD3	CD2/ SD2	CD1/ SD1	CD0/ SD0	—	—	—	—
Initial value:	0	0	0	0	0	0	0	0	0	0	0	0	0	0	0	0
R/W:	R/W	R/W	R/W	R/W	R/W	R/W	R/W	R/W	R/W	R/W	R/W	R/W	R/W	R	R	R

Bit	Bit Name	Initial Value	R/W	Description
31 to 20	—	All 0	R	Reserved These bits are always read as 0. The write value should always be 0.
19	CD15/SD15	0	R/W	Command Data 15 to 0/Status Data 15 to 0
18	CD14/SD14	0	R/W	Write data to these bits and then write the codec register address in HACCSAR. The HAC then transmits the data to the codec.
17	CD13/SD13	0	R/W	
16	CD12/SD12	0	R/W	Read these bits to get the contents of the codec register indicated by HACCSAR.
15	CD11/SD11	0	R/W	
14	CD10/SD10	0	R/W	
13	CD9/SD9	0	R/W	
12	CD8/SD8	0	R/W	
11	CD7/SD7	0	R/W	
10	CD6/SD6	0	R/W	
9	CD5/SD5	0	R/W	
8	CD4/SD4	0	R/W	
7	CD3/SD3	0	R/W	
6	CD2/SD2	0	R/W	
5	CD1/SD1	0	R/W	
4	CD0/SD0	0	R/W	
3 to 0	—	All 0	R	Reserved These bits are always read as 0. The write value should always be 0.

25.3.4 PCM Left Channel Register (HACPCML)

HACPCML is a 32-bit read/write register used for accessing the left channel of the codec in digital audio recording or stream playback. To transmit the PCM playback left channel data to the codec, write the data to HACPCML. To receive the PCM record left channel data from the codec, read HACPCML. The data is left justified when accommodating a codec with ADC/DAC resolution of 20 bits or less.

Bit:	31	30	29	28	27	26	25	24	23	22	21	20	19	18	17	16
	—	—	—	—	—	—	—	—	—	—	—	—	D19	D18	D17	D16
Initial value:	0	0	0	0	0	0	0	0	0	0	0	0	0	0	0	0
R/W:	R	R	R	R	R	R	R	R	R	R	R	R	R/W	R/W	R/W	R/W
Bit:	15	14	13	12	11	10	9	8	7	6	5	4	3	2	1	0
	D15	D14	D13	D12	D11	D10	D9	D8	D7	D6	D5	D4	D3	D2	D1	D0
Initial value:	0	0	0	0	0	0	0	0	0	0	0	0	0	0	0	0
R/W:	R/W	R/W	R/W	R/W	R/W	R/W	R/W	R/W	R/W	R/W	R/W	R/W	R/W	R/W	R/W	R/W

Bit	Bit Name	Initial Value	R/W	Description
31 to 20	—	All 0	R	Reserved These bits are always read as 0. The write value should always be 0.
19 to 0	D19 to D0	All 0	R/W	Data 19 to 0 Write the PCM playback left channel data to these bits. The HAC then transmits the data to the codec on an on-demand basis. Read these bits to get the PCM record left channel data from the codec.

In 16-bit packed DMA mode, HACPCML is defined as follows:

Bit:	31	30	29	28	27	26	25	24	23	22	21	20	19	18	17	16
	LD15	LD14	LD13	LD12	LD11	LD10	LD9	LD8	LD7	LD6	LD5	LD4	LD3	LD2	LD1	LD0
Initial value:	0	0	0	0	0	0	0	0	0	0	0	0	0	0	0	0
R/W:	R/W	R/W	R/W	R/W	R/W	R/W	R/W	R/W	R/W	R/W	R/W	R/W	R/W	R/W	R/W	R/W
Bit:	15	14	13	12	11	10	9	8	7	6	5	4	3	2	1	0
	RD15	RD14	RD13	RD12	RD11	RD10	RD9	RD8	RD7	RD6	RD5	RD4	RD3	RD2	RD1	RD0
Initial value:	0	0	0	0	0	0	0	0	0	0	0	0	0	0	0	0
R/W:	R/W	R/W	R/W	R/W	R/W	R/W	R/W	R/W	R/W	R/W	R/W	R/W	R/W	R/W	R/W	R/W

Bit	Bit Name	Initial Value	R/W	Description
31 to 16	LD15 to LD0	All 0	R/W	<p>Left Data 15 to 0</p> <p>Write the PCM playback left channel data to these bits. The HAC then transmits the data to the codec on an on-demand basis.</p> <p>Read these bits to get the PCM record left channel data from the codec.</p>
15 to 0	RD15 to RD0	All 0	R/W	<p>Right Data 15 to 0</p> <p>Write the PCM playback right channel data to these bits. The HAC then transmits the data to the codec on an on-demand basis.</p> <p>Read these bits to get the PCM record right channel data from the codec.</p>

25.3.5 PCM Right Channel Register (HACPCMR)

HACPCMR is a 32-bit read/write register used for accessing the right channel of the codec in digital audio recording or stream playback. To transmit the PCM playback right channel data to the codec, write the data to HACPCMR. To receive the PCM record right channel data from the codec, read HACPCMR. The data is left justified when accommodating a codec with ADC/DAC resolution of 20 bits or less.

Bit:	31	30	29	28	27	26	25	24	23	22	21	20	19	18	17	16
	—	—	—	—	—	—	—	—	—	—	—	—	D19	D18	D17	D16
Initial value:	0	0	0	0	0	0	0	0	0	0	0	0	0	0	0	0
R/W:	R	R	R	R	R	R	R	R	R	R	R	R	R/W	R/W	R/W	R/W
Bit:	15	14	13	12	11	10	9	8	7	6	5	4	3	2	1	0
	D15	D14	D13	D12	D11	D10	D9	D8	D7	D6	D5	D4	D3	D2	D1	D0
Initial value:	0	0	0	0	0	0	0	0	0	0	0	0	0	0	0	0
R/W:	R/W	R/W	R/W	R/W	R/W	R/W	R/W	R/W	R/W	R/W	R/W	R/W	R/W	R/W	R/W	R/W

Bit	Bit Name	Initial Value	R/W	Description
31 to 20	—	All 0	R	Reserved These bits are always read as 0. The write value should always be 0.
19 to 0	D19 to D0	All 0	R/W	Data 19 to 0 Write the PCM playback right channel data to these bits. The HAC then transmits the data to the codec on an on-demand basis. Read these bits to get the PCM record right channel data from the codec.

25.3.6 TX Interrupt Enable Register (HACTIER)

HACTIER is a 32-bit read/write register that enables or disables HAC TX interrupts.

Bit:	31	30	29	28	27	26	25	24	23	22	21	20	19	18	17	16
	—	—	PLTF RQIE	PRTF RQIE	—	—	—	—	—	—	—	—	—	—	—	—
Initial value:	0	0	0	0	0	0	0	0	0	0	0	0	0	0	0	0
R/W:	R	R	R/W	R/W	R	R	R	R	R	R	R	R	R	R	R	R
Bit:	15	14	13	12	11	10	9	8	7	6	5	4	3	2	1	0
	—	—	—	—	—	—	PLTF UNIE	PRTF UNIE	—	—	—	—	—	—	—	—
Initial value:	0	0	0	0	0	0	0	0	0	0	0	0	0	0	0	0
R/W:	R	R	R	R	R	R	R/W	R/W	R	R	R	R	R	R	R	R

Bit	Bit Name	Initial Value	R/W	Description
31, 30	—	All 0	R	Reserved These bits are always read as 0. The write value should always be 0.
29	PLTFRQIE	0	R/W	PCML TX Request Interrupt Enable 0: Disables PCML TX request interrupts. 1: Enables PCML TX request interrupts.
28	PRTFRQIE	0	R/W	PCMR TX Request Interrupt Enable 0: Disables PCMR TX request interrupts. 1: Enables PCMR TX request interrupts.
27 to 10	—	All 0	R	Reserved These bits are always read as 0. The write value should always be 0.
9	PLTFUNIE	0	R/W	PCML TX Underrun Interrupt Enable 0: Disables PCML TX underrun interrupts. 1: Enables PCML TX underrun interrupts.
8	PRTFUNIE	0	R/W	PCMR TX Underrun Interrupt Enable 0: Disables PCMR TX underrun interrupts. 1: Enables PCMR TX underrun interrupts.
7 to 0	—	All 0	R	Reserved These bits are always read as 0. The write value should always be 0.

25.3.7 TX Status Register (HACTSR)

HACTSR is a 32-bit read/write register that indicates the status of the HAC TX controller. Writing 0 to the bit will initialize it.

Bit:	31	30	29	28	27	26	25	24	23	22	21	20	19	18	17	16
	CMD AMT	CMD DMT	PLT FRQ	PRT FRQ	—	—	—	—	—	—	—	—	—	—	—	—
Initial value:	1	1	1	1	0	0	0	0	0	0	0	0	0	0	0	0
R/W:	R/W	R/W	R/W	R/W	R	R	R	R	R	R	R	R	R	R	R	R
Bit:	15	14	13	12	11	10	9	8	7	6	5	4	3	2	1	0
	—	—	—	—	—	—	PLT FUN	PRT FUN	—	—	—	—	—	—	—	—
Initial value:	0	0	0	0	0	0	0	0	0	0	0	0	0	0	0	0
R/W:	R	R	R	R	R	R	R/W	R/W	R	R	R	R	R	R	R	R

Bit	Bit Name	Initial Value	R/W*2	Description
31	CMDAMT	1	R/W	Command Address Empty 0: CSAR TX buffer contains untransmitted data. 1: CSAR TX buffer is empty and ready to store data.*1
30	CMDDMT	1	R/W	Command Data Empty 0: CSDR TX buffer contains untransmitted data. 1: CSDR TX buffer is empty and ready to store data.*1
29	PLTFRQ	1	R/W	PCML TX Request 0: PCML TX buffer contains untransmitted data. 1: PCML TX buffer is empty and needs to store data. In DMA mode, writing to HACPCML will automatically clear this bit to 0.
28	PRTFRQ	1	R/W	PCMR TX Request 0: PCMR TX buffer contains untransmitted data. 1: PCMR TX buffer is empty and needs to store data. In DMA mode, writing to HACPCMR will automatically clear this bit to 0.

Bit	Bit Name	Initial Value	R/W* ²	Description
27 to 10	—	All 0	R	Reserved These bits are always read as 0. The write value should always be 0.
9	PLTFUN	0	R/W	PCML TX Underrun 0: No PCML TX underrun has occurred. 1: PCML TX underrun has occurred because the codec has requested slot 3 data but new data is not written to HACPCML.
8	PRTFUN	0	R/W	PCMR TX Underrun 0: No PCMR TX underrun has occurred. 1: PCMR TX underrun has occurred because the codec has requested slot 4 data but new data is not written to HACPCMR.
7 to 0	—	All 0	R	Reserved These bits are always read as 0. The write value should always be 0.

- Notes:
1. CMDAMT and CMDDMT have no associated interrupts. Poll these bits until they are read as 1 before writing a new command to HACCSAR/HACCSDR. When bit 19 (RW) of HACCSAR is 0 and TX12_ATOMIC is 1, take the following steps:
 1. Initialize CMDDMT and CMDAMT before first accessing a codec register after HAC initialization by any reset event.
 2. After making the settings in HACCSDR and HACCSAR, poll CMDDMT and CMDAMT until they are cleared to 1, and then initialize these bits.
 3. Now the next write to a register is available.
 2. These bits are readable/writable. Writing 0 to the bit initializes it but writing 1 has no effect.

25.3.8 RX Interrupt Enable Register (HACRIER)

HACRIER is a 32-bit read/write register that enables or disables HAC RX interrupts.

Bit:	31	30	29	28	27	26	25	24	23	22	21	20	19	18	17	16
	—	—	—	—	—	—	—	—	—	STAR YIE	STDR YIE	PLRF RQIE	PRRF RQIE	—	—	—
Initial value:	0	0	0	0	0	0	0	0	0	0	0	0	0	0	0	0
R/W:	R	R	R	R	R	R	R	R	R	R/W	R/W	R/W	R/W	R	R	R
Bit:	15	14	13	12	11	10	9	8	7	6	5	4	3	2	1	0
	—	—	PLRF OVIE	PRRF OVIE	—	—	—	—	—	—	—	—	—	—	—	—
Initial value:	0	0	0	0	0	0	0	0	0	0	0	0	0	0	0	0
R/W:	R	R	R/W	R/W	R	R	R	R	R	R	R	R	R	R	R	R

Bit	Bit Name	Initial Value	R/W	Description
31 to 23	—	All 0	R	Reserved These bits are always read as 0. The write value should always be 0.
22	STARYIE	0	R/W	Status Address Ready Interrupt Enable 0: Disables status address ready interrupts. 1: Enables status address ready interrupts.
21	STDRYIE	0	R/W	Status Data Ready Interrupt Enable 0: Disables status data ready interrupts. 1: Enables status data ready interrupts.
20	PLRFRQIE	0	R/W	PCML RX Request Interrupt Enable 0: Disables PCML RX request interrupts. 1: Enables PCML RX request interrupts.
19	PRRFRQIE	0	R/W	PCMR RX Request Interrupt Enable 0: Disables PCMR RX request interrupts. 1: Enables PCMR RX request interrupts.
18 to 14	—	All 0	R	Reserved These bits are always read as 0. The write value should always be 0.
13	PLRFOVIE	0	R/W	PCML RX Overrun Interrupt Enable 0: Disables PCML RX overrun interrupts. 1: Enables PCML RX overrun interrupts.

Bit	Bit Name	Initial Value	R/W	Description
12	PRRFOVIE	0	R/W	PCMR RX Overrun Interrupt Enable 0: Disables PCMR RX overrun interrupts. 1: Enables PCMR RX overrun interrupts.
11 to 0	—	All 0	R	Reserved These bits are always read as 0. The write value should always be 0.

25.3.9 RX Status Register (HACRSR)

HACRSR is a 32-bit read/write register that indicates the status of the HAC RX controller. Writing 0 to the bit will initialize it.

Bit:	31	30	29	28	27	26	25	24	23	22	21	20	19	18	17	16
	—	—	—	—	—	—	—	—	—	STARY	STDRY	PLR FRQ	PRR FRQ	—	—	—
Initial value:	0	0	0	0	0	0	0	0	0	0	0	0	0	0	0	0
R/W:	R	R	R	R	R	R	R	R	R	R/W	R/W	R/W	R/W	R	R	R
Bit:	15	14	13	12	11	10	9	8	7	6	5	4	3	2	1	0
	—	—	PLR FOV	PRR FOV	—	—	—	—	—	—	—	—	—	—	—	—
Initial value:	0	0	0	0	0	0	0	0	0	0	0	0	0	0	0	0
R/W:	R	R	R/W	R/W	R	R	R	R	R	R	R	R	R	R	R	R

Bit	Bit Name	Initial Value	R/W*	Description
31 to 23	—	All 0	R	Reserved These bits are always read as 0. The write value should always be 0.
22	STARY	0	R/W	Status Address Ready 0: HACCSAR (status address) is not ready. 1: HACCSAR (status address) is ready.
21	STDRY	0	R/W	Status Data Ready 0: HACCSSDR (status data) is not ready. 1: HACCSSDR (status data) is ready.
20	PLRFRQ	0	R/W	PCML RX Request 0: PCML RX data is not ready. 1: PCML RX data is ready and must be read. In DMA mode, reading HACPCML automatically clears this bit to 0.
19	PRRFRQ	0	R/W	PCMR RX Request 0: PCMR RX data is not ready. 1: PCMR RX data is ready and must be read. In DMA mode, reading HACPCMR automatically clears this bit to 0.
18 to 14	—	All 0	R	Reserved These bits are always read as 0. The write value should always be 0.
13	PLRFOV	0	R/W	PCML RX Overrun 0: No PCML RX data overrun has occurred. 1: PCML RX data overrun has occurred because the HAC has received new data from slot 3 before PCML data is not read out.
12	PRRFOV	0	R/W	PCMR RX Overrun 0: No PCMR RX data overrun has occurred. 1: PCMR RX data overrun has occurred because the HAC has received new data from slot 4 before PCMR data is not read out.
11 to 0	—	All 0	R	Reserved These bits are always read as 0. The write value should always be 0.

Note: * This register is readable/writable. Writing 0 to the bit initializes it but writing 1 has no effect.

25.3.10 HAC Control Register (HACACR)

HACACR is a 32-bit read/write register used for controlling the HAC interface.

Bit:	31	30	29	28	27	26	25	24	23	22	21	20	19	18	17	16
	—	DMA RX16	DMA TX16	—	—	TX12_ ATOMIC	—	RXDMAL_ _EN	TXDMAL_ _EN	RXDMAR_ _EN	TXDMAR_ _EN	—	—	—	—	—
Initial value:	1	0	0	0	0	1	0	0	0	0	0	0	0	0	0	0
R/W:	R	R/W	R/W	R	R	R/W	R	R/W	R/W	R/W	R/W	R	R	R	R	R
Bit:	15	14	13	12	11	10	9	8	7	6	5	4	3	2	1	0
	—	—	—	—	—	—	—	—	—	—	—	—	—	—	—	—
Initial value:	0	0	0	0	0	0	0	0	0	0	0	0	0	0	0	0
R/W:	R	R	R	R	R	R	R	R	R	R	R	R	R	R	R	R

Bit	Bit Name	Initial Value	R/W	Description
31	—	1	R	Reserved This bit is always read as 1. The write value should always be 1.
30	DMARX16	0	R/W	16-bit RX DMA Enable 0: Disables 16-bit packed RX DMA mode. Enables the RXDMAL_EN and RXDMAR_EN settings. 1: Enables 16-bit packed RX DMA mode. Disables the RXDMAL_EN and RXDMAR_EN settings.
29	DMATX16	0	R/W	16-bit TX DMA Enable 0: Disables 16-bit packed TX DMA mode. Enables the TXDMAL_EN and TXDMAR_EN settings. 1: Enables 16-bit packed TX DMA mode. Disables the TXDMAL_EN and TXDMAR_EN settings.
28, 27	—	All 0	R	Reserved These bits are always read as 0. The write value should always be 0.
26	TX12_ATOMIC	1	R/W	TX Slot 1 and 2 Atomic Control 0: Transmits TX data in HACCSAR and that in HACCSDR separately. (Setting prohibited) 1: Transmits TX data in HACCSAR and that in HACCSDR in the same frame if bit 19 in HACCSAR is 0 (write). (HACCSAR must be written last.)

Bit	Bit Name	Initial Value	R/W	Description
25	—	0	R	Reserved This bit is always read as 0. The write value should always be 0.
24	RXD MAL_EN	0	R/W	RX DMA Left Enable 0: Disables 20-bit RX DMA for HACPCML. 1: Enables 20-bit RX DMA for HACPCML.
23	TXD MAL_EN	0	R/W	TX DMA Left Enable 0: Disables 20-bit TX DMA for HACPCML. 1: Enables 20-bit TX DMA for HACPCML.
22	RXD MAR_EN	0	R/W	RX DMA Right Enable 0: Disables 20-bit RX DMA for HACPCMR. 1: Enables 20-bit RX DMA for HACPCMR.
21	TXD MAR_EN	0	R/W	TX DMA Right Enable 0: Disables 20-bit TX DMA for HACPCMR. 1: Enables 20-bit TX DMA for HACPCMR.
20 to 0	—	All 0	R	Reserved These bits are always read as 0. The write value should always be 0.

25.4 AC 97 Frame Slot Structure

Figure 25.2 shows the AC97 frame slot structure. This LSI supports slots 0 to 4 only. Slots 5 to 12 (hatched area) are out of scope.

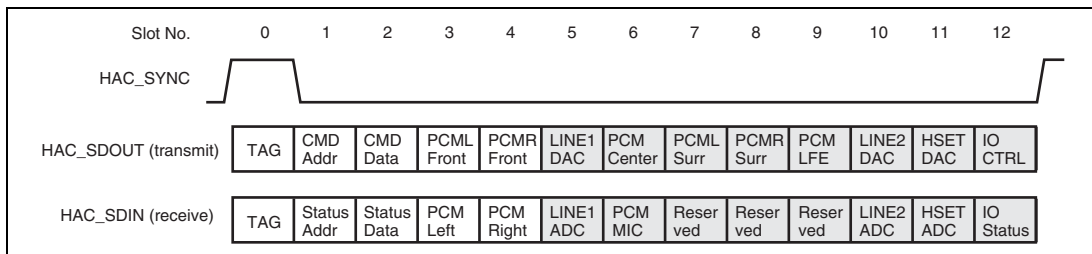


Figure 25.2 AC97 Frame Slot Structure

Table 25.3 AC97 Transmit Frame Structure

Slot	Name	Description
0	SDATA_OUT TAG	Codec IDs and Tags indicating valid data
1	Control CMD Addr write port	Read/write command and register address
2	Control DATA write port	Register write data
3	PCM L DAC playback	Left channel PCM output data
4	PCM R DAC playback	Right channel PCM output data
5	Modem Line 1 DAC	Modem 1 output data (unsupported)*
6	PCM Center	Center channel PCM data (unsupported)*
7	PCM Surround L	Surround left channel PCM data (unsupported)*
8	PCM Surround R	Surround right channel PCM data (unsupported)*
9	PCM LFE	LFE channel PCM data (unsupported)*
10	Modem Line 2 DAC	Modem 2 output data (unsupported)*
11	Modem handset DAC	Modem handset output data (unsupported)*
12	Modem IO control	Modem control IO output (unsupported)*

Note: * There is no register for unsupported functions.

Table 25.4 AC97 Receive Frame Structure

Slot	Name	Description
0	SDATA_IN TAG	Tags indicating valid data
1	Status ADDR read port	Register address and slot request
2	Status DATA read port	Register read data
3	PCM L ADC record	Left channel PCM input data
4	PCM R ADC record	Right channel PCM input data
5	Modem Line 1 ADC	Modem 1 input data (unsupported)*
6	Dedicated Microphone ADC	Optional PCM data (unsupported)*
7 to 9	Reserved	Reserved
10	Modem Line 2 ADC	Modem 2 input data (unsupported)*
11	Modem handset input DAC	Modem handset input data (unsupported)*
12	Modem IO status	Modem control IO input (unsupported)*

Note: * There is no register for unsupported functions.

25.5 Operation

25.5.1 Receiver

The HAC receiver receives serial audio data input on the HAC_SDIN pin, synchronous to HAC_BITCLK. From slot 0, the receiver extracts tag bits that indicate which other slots contain valid data. It will update the receive data only when receiving valid slot data indicated by the tag bits.

Supporting data only in slots 1 to 4, the receiver ignores tag bits and data related to slots 5 to 12. It loads valid slot data to the corresponding shift register to hold the data for PIO or DMA transfer, and sets the corresponding status bits. It is possible to read 20-bit data within a 32-bit register using PIO.

In the case of RX overrun, the new data will overwrite the current data in the RX buffer of the HAC.

25.5.2 Transmitter

The HAC transmitter outputs serial audio data on the HAC_SDOOUT pin, synchronous to HAC_BIT_CLK. The transmitter sets the tag bits in slot 0 to indicate which slots in the current frame contain valid data. It loads data slots to the current TX frame in response to the corresponding slot request bits from the previous RX frame.

The transmitter supports data only in slots 1 to 4. The TX buffer holds data that has been transferred using PIO or DMA, and sets the corresponding status bit. It is possible to write 20-bit data within a 32-bit register using PIO.

In the case of a TX underrun, the HAC will transmit the current TX buffer data until the next data arrives.

25.5.3 DMA

The HAC supports DMA transfer for slots 3 and 4 of both the RX and TX frames. Specify the slot data size for DMA transfer, 16 or 20 bits, with the DMARX16 and DMATX16 bits in HACACR.

When the data size is 20 bits, transfer of data slots 3 and 4 requires two local bus access cycles. Since each of the receiver and transmitter has its DMA request, the stereo mode generates a DMA request for slots 3 and 4 separately. The mono mode generates a DMA request for just one slot.

When the data size is 16 bits, data from slots 3 and 4 are packed into a single 32-bit quantity (left data and right data are in PCML), which requires only one local bus access cycle.

It may be necessary to halt a DMA transfer before the end count is reached, depending on system applications. If so, clear the corresponding DMA bit in HACACR to 0 (DMA disabled). To resume a DMA transfer, reprogram the DMAC and then set the corresponding DMA bit to 1 (DMA enabled).

25.5.4 Interrupts

Interrupts can be used for flag events from the receiver and transmitter. Make the setting for each interrupt in the corresponding interrupt enable register. Interrupts include a request to the CPU to read/write slot data, overrun and underrun. To get the interrupt source, read the status register. Writing 0 to the bit will clear the corresponding interrupt.

25.5.5 Initialization Sequence

Figure 25.3 shows an example of the initialization sequence.

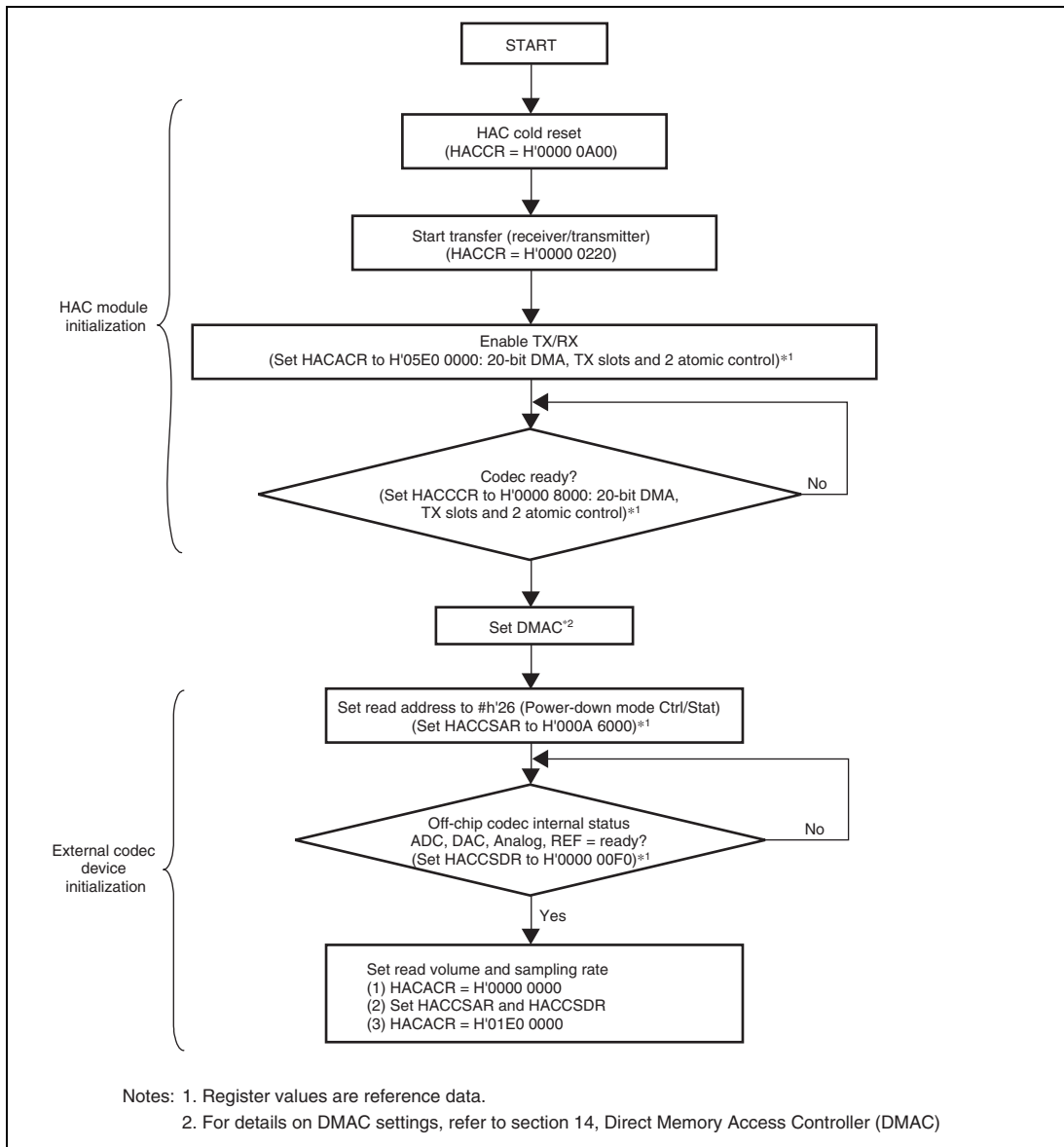


Figure 25.3 Initialization Sequence

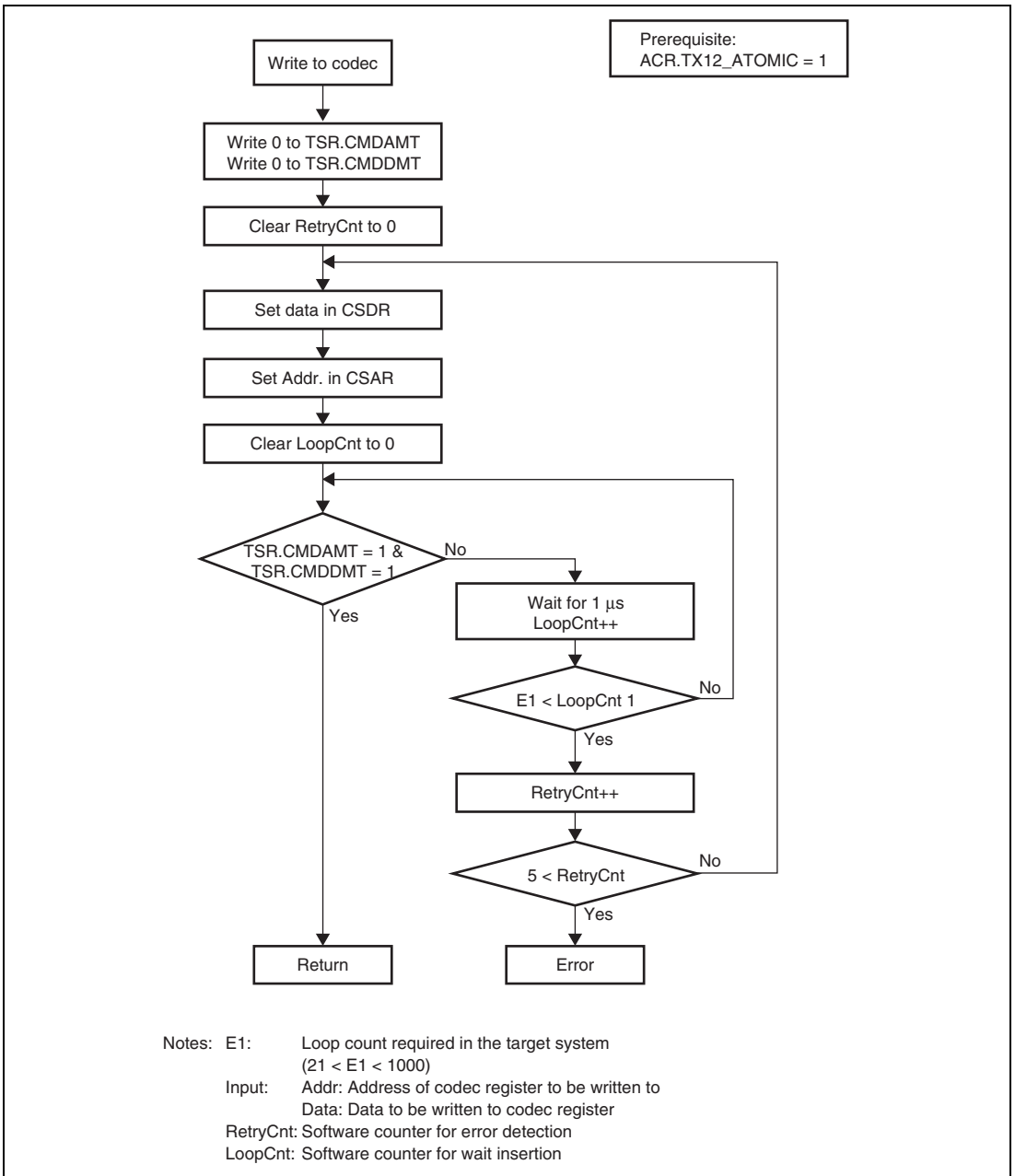


Figure 25.4 Sample Flowchart for Off-Chip Codec Register Write

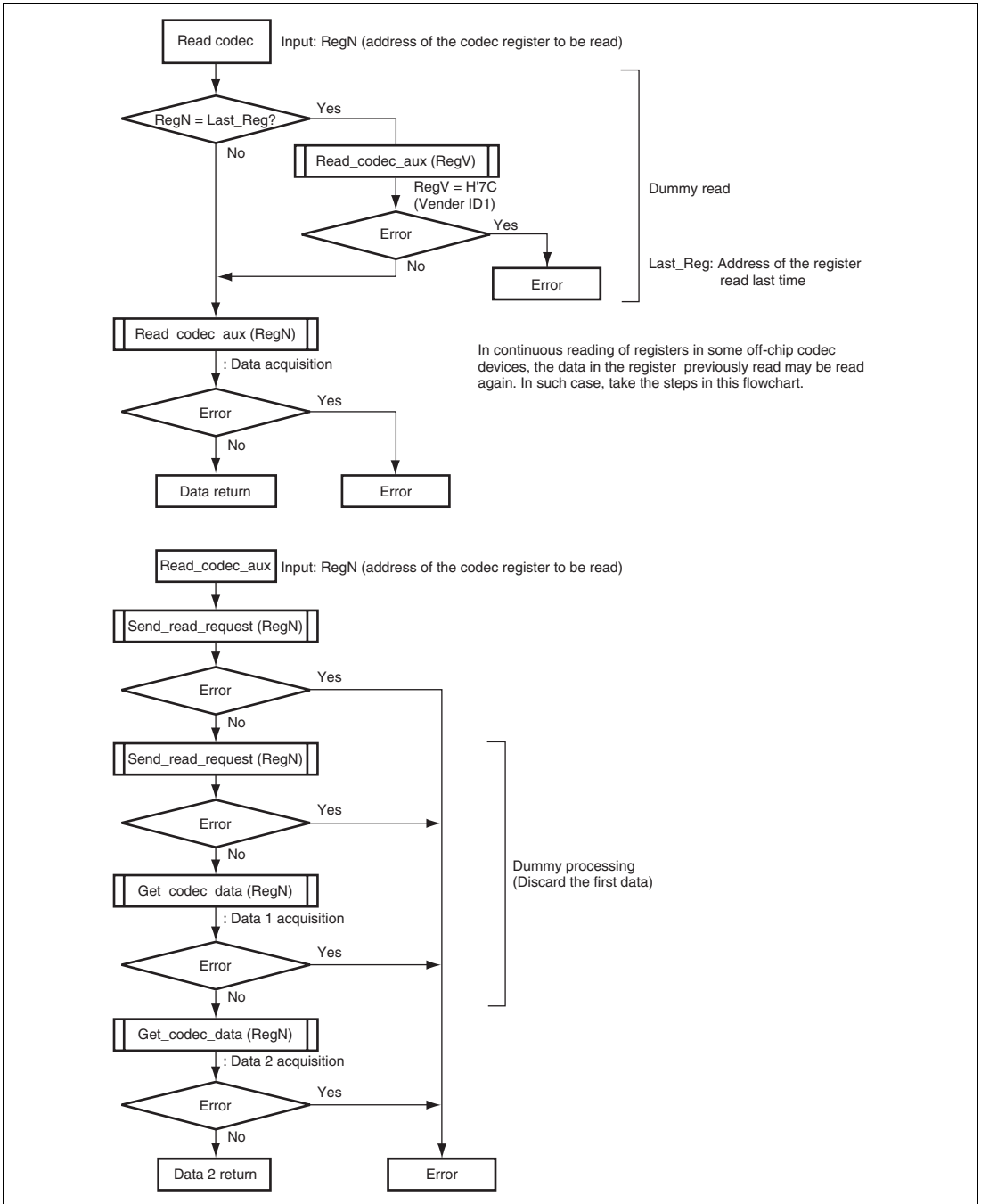


Figure 25.5 Sample Flowchart for Off-Chip Codec Register Read (1)

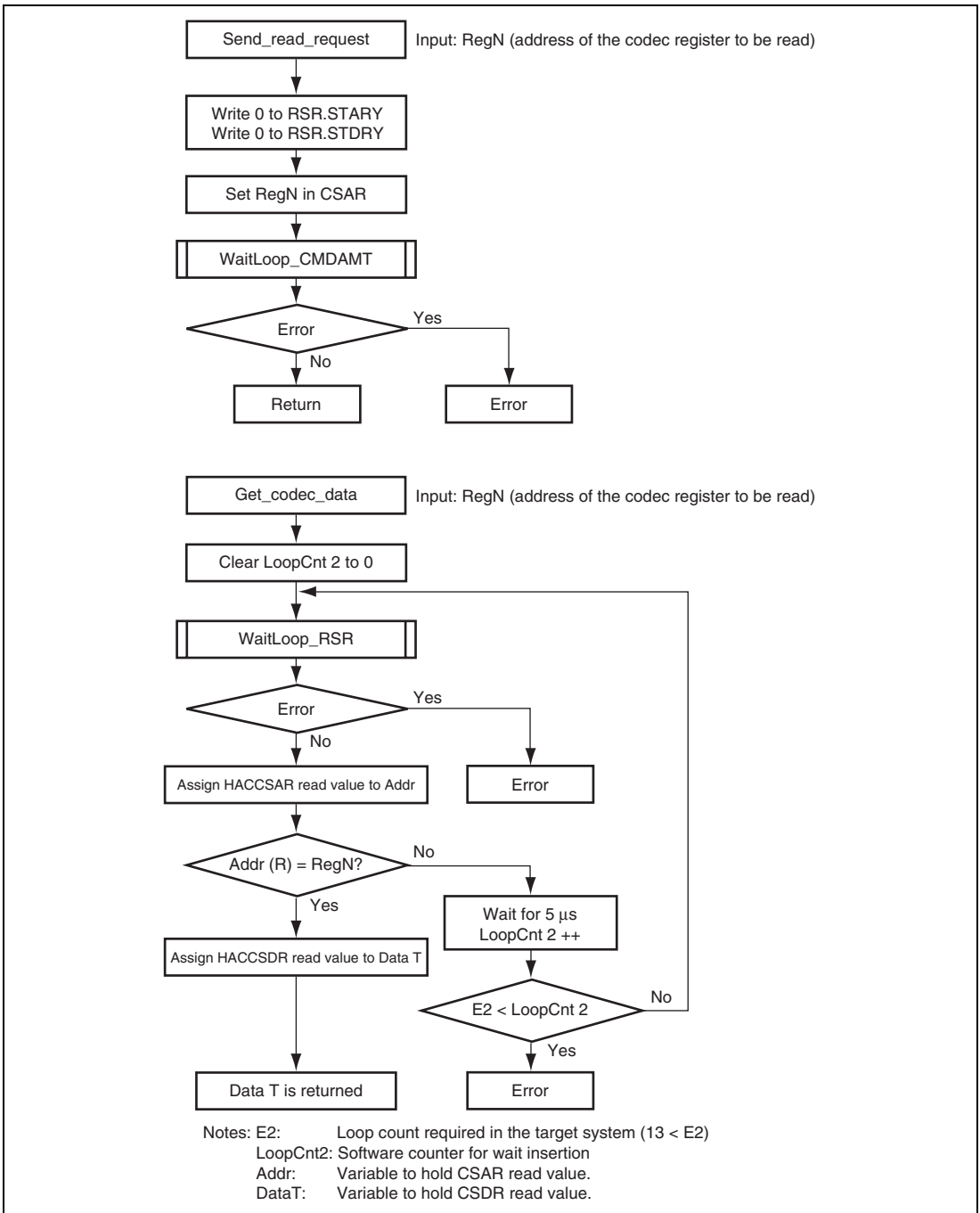
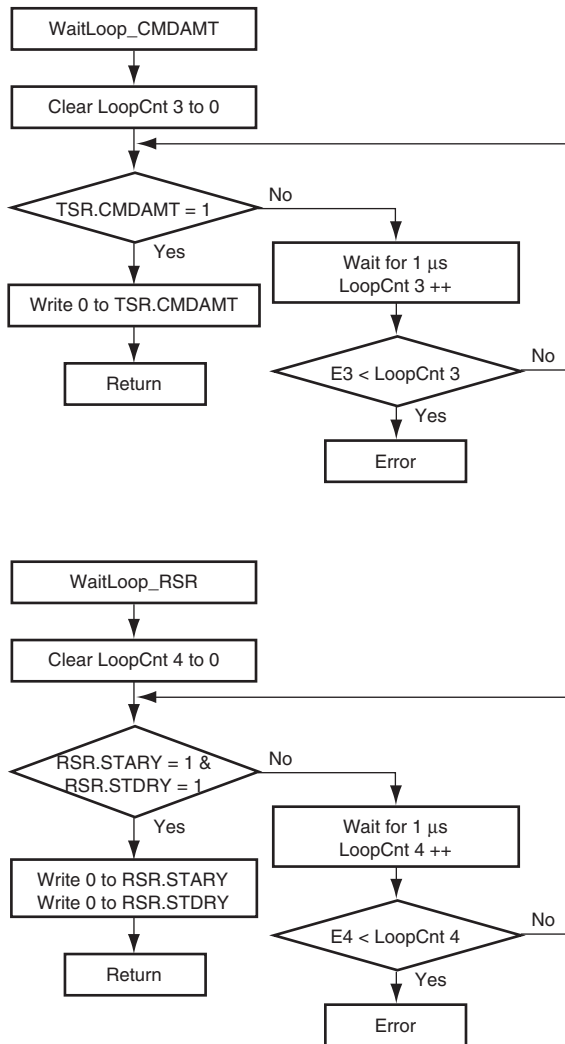


Figure 25.6 Sample Flowchart for Off-Chip Codec Register Read (2)



Notes: E3, E4: Loop count required in the target system
($21 < E3$, $21 < E4 < 1000$)

LoopCnt3: Software counter for wait insertion

LoopCnt4: Software counter for wait insertion

Figure 25.7 Sample Flowchart for Off-Chip Codec Register Read (3)

25.5.6 Power-Down Mode

It is possible to stop or resume the supply of clock to the HAC using the MSTP16 and MSTP17 bits in the standby control register 0 (MSTPCR0), which is a register used in power-down modes.

To cancel module standby function and resume the supply of clock to the HAC, write 0 to the MSTP16 and MSTP17 bits in the standby control register 0 (MSTPCR0). It enables all accesses to the HAC.

To place the HAC into the power-down mode, take the following steps:

1. Check that all data transfers have ended. Also check that the transmit buffer is empty and the receive buffer has been read out to be empty.
2. Disable all DMA requests and interrupt requests.
3. Place the codec into power-down mode.
4. Write 0 to the MSTP16 and MSTP17 bits in the standby control register 0 (MSTPCR0).

25.5.7 Notes

The HAC_SYNC signal is generated by the HAC to indicate the position of slot 0 within a frame. When using the two channels of the HAC concurrently, connect the $\overline{\text{HAC_RES}}$ pin to the reset pins of the two codecs.

25.5.8 Reference

AC'97 Component Specification, Revision 2.1

Section 26 Serial Sound Interface (SSI) Module

This LSI incorporates two channels of serial sound interface (SSI) modules that send or receive audio data to or from a variety of devices. In addition to the common formats, they support burst and multi-channel mode.

26.1 Features

The SSI has the following features.

- Number of channels: Two channels
- Operating modes: Compressed mode and non-compressed mode
The compressed mode is used for continuous bit stream transfer
The non-compressed mode supports all serial audio streams divided into channels.
- The SSI module is configured as any of a transmitter or receiver. The serial bus format (refer to table 26.3) can be used in the compressed and non-compressed mode.
- Asynchronous transfer between the data buffer and the shift register
- Division ratios of the serial bus interface clock can be selected.
- Data transmission/reception can be controlled from the DMAC or SSI interrupt.

Figure 26.1 is a block diagram of the SSI module.

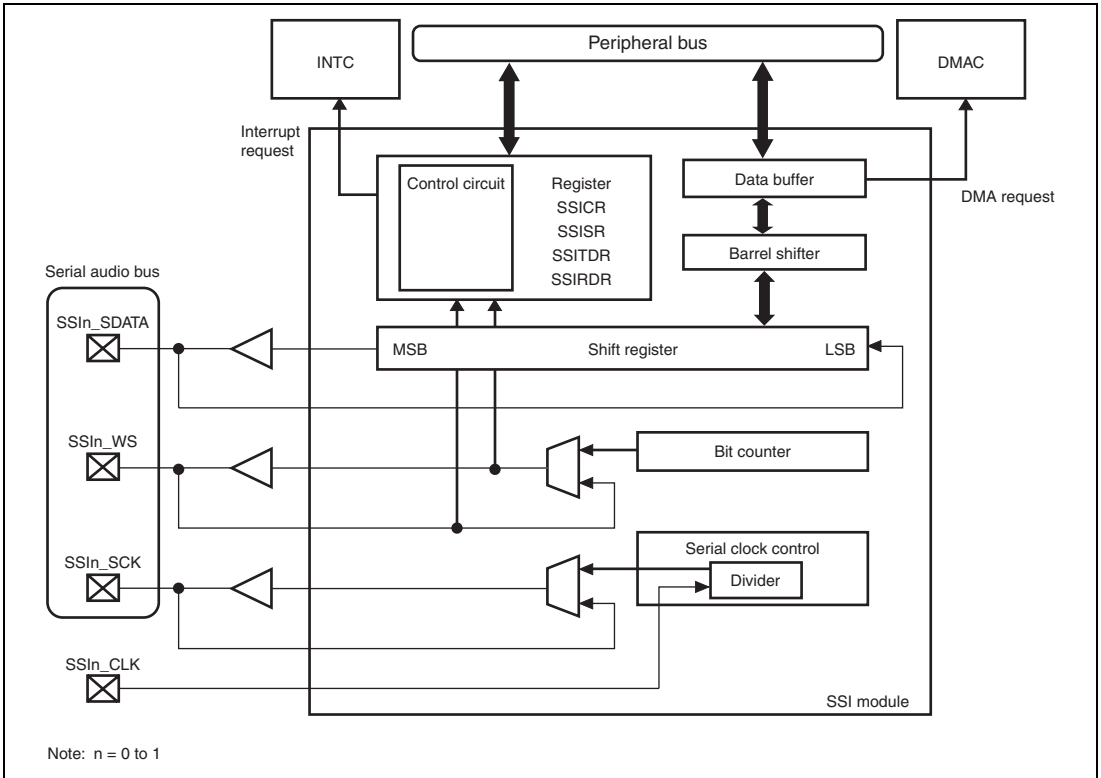


Figure 26.1 Block Diagram of SSI Module

26.2 Input/Output Pins

Table 26.1 lists the pin configurations relating to the SSI module.

Table 26.1 Pin Configuration

Name	Number of Pins	I/O	Function
SSI0_SCK	1	I/O	Serial bit clock
SSI0_WS	1	I/O	Word select
SSI0_SDATA	1	I/O	Serial data input/output
SSI0_CLK	1	Input	Divider input clock (oversampling clock 256/384/512fs input)
SSI1_SCK	1	I/O	Serial bit clock
SSI1_WS	1	I/O	Word select
SSI1_SDATA	1	I/O	Serial data input/output
SSI1_CLK	1	Input	Divider input clock (oversampling clock 256/384/512fs input)

26.3 Register Descriptions

The SSI has the following registers. In this manual, the register description is not discriminated by the channel.

Table 26.2 Register Configuration (1)

Channel	Register Name	Abbrev.	R/W	P4 Address	Area 7 Address	Size	Sync Clock
0	Control register 0	SSICR0	R/W	H'FFE0 0000	H'1FE0 0000	32	Pck
0	Status register 0	SSISR0	R/W*	H'FFE0 0004	H'1FE0 0004	32	Pck
0	Transmit data register 0	SSITDR0	R/W	H'FFE0 0008	H'1FE0 0008	32	Pck
0	Receive data register 0	SSIRDR0	R	H'FFE0 000C	H'1FE0 000C	32	Pck
1	Control register 1	SSICR1	R/W	H'FFE1 0000	H'1FE1 0000	32	Pck
1	Status register 1	SSISR1	R/W*	H'FFE1 0004	H'1FE1 0004	32	Pck
1	Transmit data register 1	SSITDR1	R/W	H'FFE1 0008	H'1FE1 0008	32	Pck
1	Receive data register 1	SSIRDR1	R	H'FFE1 000C	H'1FE1 000C	32	Pck

Note: Bits 26 and 27 of this register is readable/writable. The other bits are read only. For details, see section 26.3.2, Status Register (SSISR).

Table 26.2 Register Configuration (2)

Channel	Register Name	Abbrev.	Power-on Reset by PRESET Pin/ WDT/H-UDI	Manual Reset by WDT/ Multiple Exception	Sleep by SLEEP Instruction	Module Standby	Deep Sleep
0	Control register 0	SSICR0	H'0000 0000	H'0000 0000	Retained	Retained	Retained
0	Status register 0	SSISR0	H'0200 0003	H'0200 0003	Retained	Retained	Retained
0	Transmit data register 0	SSITDR0	H'0000 0000	H'0000 0000	Retained	Retained	Retained
0	Receive data register 0	SSIRDR0	H'0000 0000	H'0000 0000	Retained	Retained	Retained
1	Control register 1	SSICR1	H'0000 0000	H'0000 0000	Retained	Retained	Retained
1	Status register 1	SSISR1	H'0200 0003	H'0200 0003	Retained	Retained	Retained
1	Transmit data register 1	SSITDR1	H'0000 0000	H'0000 0000	Retained	Retained	Retained
1	Receive data register 1	SSIRDR1	H'0000 0000	H'0000 0000	Retained	Retained	Retained

26.3.1 Control Register (SSICR)

SSICR is a 32-bit readable/writable register that controls interrupts, selects each polarity status, and sets operating mode.

Bit:	31	30	29	28	27	26	25	24	23	22	21	20	19	18	17	16
	—	—	—	DMEN	UIEN	OIEN	IIEN	DIEN	CHNL1	CHNL0	DWL2	DWL1	DWL0	SWL2	SWL1	SWL0
Initial value:	—	—	—	0	0	0	0	0	0	0	0	0	0	0	0	0
R/W:	R	R	R	R/W	R/W	R/W	R/W	R/W	R/W	R/W	R/W	R/W	R/W	R/W	R/W	R/W
Bit:	15	14	13	12	11	10	9	8	7	6	5	4	3	2	1	0
	SCKD	SWSD	SCKP	SWSP	SPDP	SDTA	PDTA	DEL	BREN	CKDV2	CKDV1	CKDV0	MUEN	CPEN	TRMD	EN
Initial value:	0	0	0	0	0	0	0	0	0	0	0	0	0	0	0	0
R/W:	R/W	R/W	R/W	R/W	R/W	R/W	R/W	R/W	R/W	R/W	R/W	R/W	R/W	R/W	R/W	R/W

Bit	Bit Name	Initial Value	R/W	Description
31 to 29	—	0	R	Reserved These bits are always read as an undefined value. The write value should always be 0.
28	DMEN	0	R/W	DMA Enable Enables or disables the DMA request. 0: DMA request disabled. 1: DMA request enabled.
27	UIEN	0	R/W	Underflow Interrupt Enable 0: Underflow interrupt disabled 1: Underflow interrupt enabled
26	OIEN	0	R/W	Overflow Interrupt Enable 0: Overflow interrupt disabled 1: Overflow interrupt enabled
25	IIEN	0	R/W	Idle Mode Interrupt Enable 0: Idle mode interrupt disabled 1: Idle mode interrupt enabled
24	DIEN	0	R/W	Data Interrupt Enable 0: Data interrupt disabled 1: Data interrupt enabled

Bit	Bit Name	Initial Value	R/W	Description
23	CHNL1	0	R/W	Channels
22	CHNL0	0	R/W	These bits indicate the number of channels in each system word. These bits are ignored if CPEN = 1. 00: 1 channel per system word 01: 2 channels per system word 10: 3 channels per system word 11: 4 channels per system word
21	DWL2	0	R/W	Data Word Length
20	DWL1	0	R/W	These bits indicate the number of bits in a data word.
19	DWL0	0	R/W	These bits are ignored if CPEN = 1. 000: 8 Bits 001: 16 Bits 010: 18 Bits 011: 20 Bits 100: 22 Bits 101: 24 Bits 110: 32 Bits 111: Setting prohibited
18	SWL2	0	R/W	System Word Length
17	SWL1	0	R/W	These bits indicate the number of bits in a system word.
16	SWL0	0	R/W	These bits are ignored if CPEN = 1. 000: 8 Bits 001: 16 Bits 010: 24 Bits 011: 32 Bits 100: 48 Bits 101: 64 Bits 110: 128 Bits 111: 256 Bits
15	SCKD	0	R/W	Serial Bit Clock Direction 0: Serial clock input, slave mode 1: Serial clock output, master mode Note: In non-compressed mode (SSICR.CPEN=0), the combination of (SCKD, SWSD) = (0, 0) or (1, 1) is available.

Bit	Bit Name	Initial Value	R/W	Description															
14	SWSD	0	R/W	<p>Serial WS Direction</p> <p>0: Serial word select input, slave mode</p> <p>1: Serial word select output, master mode</p> <p>Note: In non-compressed mode (SSICR.CPEN=0), the combination of (SCKD, SWSD) = (0, 0) or (1, 1) is available.</p>															
13	SCKP	0	R/W	<p>Serial Bit Clock Polarity</p> <p>0: SSI_WS and SSI_SDATA change on falling edge of SSI_SCK (sampled on rising edge of SCK)</p> <p>1: SSI_WS and SSI_SDATA change on rising edge of SSI_SCK (sampled on falling edge of SCK)</p> <table border="1" style="margin-left: auto; margin-right: auto;"> <thead> <tr> <th></th> <th>SCKP = 0</th> <th>SCKP = 1</th> </tr> </thead> <tbody> <tr> <td>SSI_SDATA input sampling timing in receive mode (TRMD = 0)</td> <td>SSI_SCK rising edge</td> <td>SSI_SCK falling edge</td> </tr> <tr> <td>SSI_SDATA output change timing in transmit mode (TRMD = 1)</td> <td>SSI_SCK falling edge</td> <td>SSI_SCK rising edge</td> </tr> <tr> <td>SSI_WS input sampling timing in slave mode (SWSD = 0)</td> <td>SSI_SCK rising edge</td> <td>SSI_SCK falling edge</td> </tr> <tr> <td>SSI_WS output change timing in master mode (SWSD = 1)</td> <td>SSI_SCK falling edge</td> <td>SSI_SCK rising edge</td> </tr> </tbody> </table>		SCKP = 0	SCKP = 1	SSI_SDATA input sampling timing in receive mode (TRMD = 0)	SSI_SCK rising edge	SSI_SCK falling edge	SSI_SDATA output change timing in transmit mode (TRMD = 1)	SSI_SCK falling edge	SSI_SCK rising edge	SSI_WS input sampling timing in slave mode (SWSD = 0)	SSI_SCK rising edge	SSI_SCK falling edge	SSI_WS output change timing in master mode (SWSD = 1)	SSI_SCK falling edge	SSI_SCK rising edge
	SCKP = 0	SCKP = 1																	
SSI_SDATA input sampling timing in receive mode (TRMD = 0)	SSI_SCK rising edge	SSI_SCK falling edge																	
SSI_SDATA output change timing in transmit mode (TRMD = 1)	SSI_SCK falling edge	SSI_SCK rising edge																	
SSI_WS input sampling timing in slave mode (SWSD = 0)	SSI_SCK rising edge	SSI_SCK falling edge																	
SSI_WS output change timing in master mode (SWSD = 1)	SSI_SCK falling edge	SSI_SCK rising edge																	

Bit	Bit Name	Initial Value	R/W	Description
12	SWSP	0	R/W	<p>Serial WS Polarity</p> <p>The function of this bit depends on whether the SSI module is in non-compressed mode or compressed mode.</p> <p>CPEN = 0 (Non compressed mode):</p> <p>0: SSI_WS is low for the first system word, high for the second system word</p> <p>1: SSI_WS is high for the first system word, low for the second system word</p> <p>CPEN = 1 (Compressed mode):</p> <p>0: SSI_WS is active high flow control. WS = high means data should be transferred, low means data should not be transferred.</p> <p>1: SSI_WS is active low flow control. WS = low means data should be transferred, high means data should not be transferred.</p> <p>Note: Do not change this bit when EN is 1.</p>
11	SPDP	0	R/W	<p>Serial Padding Polarity</p> <p>This bit is ignored if CPEN = 1.</p> <p>0: Padding bits are low</p> <p>1: Padding bits are high</p> <p>Note: The padding bits become low-level when the MUEN bit is set to 1. (Mute function has the higher priority)</p>
10	SDTA	0	R/W	<p>Serial Data Alignment</p> <p>This bit is ignored if CPEN = 1.</p> <p>0: Serial data is transmitted/ received first, followed by padding bits.</p> <p>1: Padding bits are transmitted/ received first, followed by serial data.</p>

Bit	Bit Name	Initial Value	R/W	Description
9	PDTA	0	R/W	<p>Parallel Data Alignment</p> <p>This bit is ignored if CPEN = 1.</p> <p>If the data word length = 32, 16 or 8 then this bit has no meaning.</p> <p>This bit is applied to SSIRDR in receive mode and to SSITDR in transmit mode.</p> <p>0: Parallel data (SSITDR or SSIRDR) is left aligned 1: Parallel data (SSITDR or SSIRDR) is right aligned</p> <ul style="list-style-type: none"> DWL = 000 (data word length: 8 bits), PDTA ignored All data bits in SSIRDR or SSITDR are used on the audio serial bus. Four data words are transmitted/received in each 32-bit access. The first data word is derived from bits 7 to 0, the second from bits 15 to 8, the third from bits 23 to 16 and the last data word is stored in bits 31 to 24. DWL = 001 (data word length: 16 bits), PDTA ignored All data bits in SSIRDR or SSITDR are used on the audio serial bus. Two data words are transmitted/received in each 32-bit access. The first data word is derived from bits 15 to 0 and the second data word is stored in bits 31 to 16. DWL = 010, 011, 100, 101 (data word length: 18, 20, 22 and 24 bits), PDTA = 0 (left aligned) The data bits which are used in SSIRDR or SSITDR are the following: Bits 31 to (32 – number of bits having data word length specified by DWL). If DWL = 011 then data word length is 20 bits and bits 31 to 12 are used of either SSIRDR or SSITDR. All other bits are ignored or reserved. DWL = 010, 011, 100, 101 (data word length: 18, 20, 22 and 24 bits), PDTA = 1 (right aligned) The data bits which are used in SSIRDR or SSITDR are the following: Bits (number of bits having data word length specified by DWL - 1) to 0. If DWL = 011 then data word length is 20 bits and bits 19 to 0 are used of either SSIRDR or SSITDR. All other bits are ignored or reserved. DWL = 110 (data word length: 32 bits), PDTA ignored All data bits in SSIRDR or SSITDR are used on the audio serial bus.

Bit	Bit Name	Initial Value	R/W	Description
8	DEL	0	R/W	<p>Serial Data Delay</p> <p>Set this bit to 1, if CPEN=1</p> <p>0: 1 clock cycle delay between SSI_WS and SSI_SDATA</p> <p>1: No delay between SSI_WS and SSI_SDATA</p>
7	BREN	0	R/W	<p>Burst Mode Enable</p> <p>0: Burst mode is disabled.</p> <p>1: Burst mode is enabled.</p> <p>Burst mode is used only in compressed mode (CPEN = 1) and transmit mode. When burst mode is enabled the SSI_SCK signal is gated. Clock pulses are output only when there is valid serial data being output on SSI_SDATA.</p>
6 to 4	CKDV2	0	R/W	<p>Serial Oversampling Clock Division Ratio</p> <p>These bits define the division ratio between oversampling clock (SSI_CLK) and the serial bit clock (SSI_SCK).</p> <p>These bits are ignored if SCKD = 0.</p> <p>The serial bit clock is used for the shift register and is provided on the SSI_SCK pin.</p> <p>000: (Serial bit clock frequency = oversampling clock frequency/1)</p> <p>001: (Serial bit clock frequency = oversampling clock frequency/2)</p> <p>010: (Serial bit clock frequency = oversampling clock frequency/4)</p> <p>011: (Serial bit clock frequency = oversampling clock frequency/8)</p> <p>100: (Serial bit clock frequency = oversampling clock frequency/16)</p> <p>101: (Serial bit clock frequency = oversampling clock frequency/6)</p> <p>110: (Serial bit clock frequency = oversampling clock frequency/12)</p> <p>111: Setting prohibited</p>
	CKDV2	0	R/W	
	CKDV0	0	R/W	
3	MUEN	0	R/W	<p>Mute Enable</p> <p>0: The SSI module is not muted</p> <p>1: The SSI module is muted</p> <p>When the SSI module is muted in transmit mode, the SSI_SDATA pin is always low regardless of the padding polarity selected.</p>

Bit	Bit Name	Initial Value	R/W	Description
2	CPEN	0	R/W	Compressed Mode Enable 0: Compressed mode disabled 1: Compressed mode enabled Note: In compressed mode (CPEN=1), using operation mode except slave transmitter (SWSD=0 and TRMD=1). Do not change this bit when EN = 1.
1	TRMD	0	R/W	Transmit/Receive Mode Select 0: The SSI module is in receive mode 1: The SSI module is in transmit mode
0	EN	0	R/W	SSI Module Enable 0: The SSI module is disabled 1: The SSI module is enabled

26.3.2 Status Register (SSISR)

SSISR is configured by status flags that indicate the operating status of the SSI module and bits that indicate the current channel number and word number.

Bit:	31	30	29	28	27	26	25	24	23	22	21	20	19	18	17	16
	—	—	—	DMRQ	UIRQ	OIRQ	IIRQ	DIRQ	—	—	—	—	—	—	—	—
Initial value:	0	0	0	0	0	0	1	0	0	0	0	0	0	0	0	0
R/W:	R	R	R	R	R/W*	R/W*	R	R	R	R	R	R	R	R	R	R
Bit:	15	14	13	12	11	10	9	8	7	6	5	4	3	2	1	0
	—	—	—	—	—	—	—	—	—	—	—	—	CHNO1	CHNO0	SWNO	IDST
Initial value:	0	0	0	0	0	0	0	0	0	0	0	0	0	0	1	1
R/W:	R	R	R	R	R	R	R	R	R	R	R	R	R	R	R	R

Bit	Bit Name	Initial Value	R/W	Description
31 to 29	—	0	R	Reserved These bits are always read as an undefined value. The write value should always be 0.
28	DMRQ	0	R	DMA Request Status Flag This status flag allows the CPU to see the status of the DMA request of SSI module. TRMD = 0 (Receive Mode): <ul style="list-style-type: none"> • If DMRQ = 1 then SSIRDR has unread data. • If SSIRDR is read then DMRQ = 0 until there is new unread data. TRMD = 1 (Transmit Mode): <ul style="list-style-type: none"> • If DMRQ = 1, SSITDR requests data to be written to continue the transmission onto the audio serial bus. • Once data is written to SSITDR then DMRQ = 0 until further transmit data is requested.

Bit	Bit Name	Initial Value	R/W	Description
27	UIRQ	0	R/W*	<p>Underflow Error Interrupt Status Flag</p> <p>This status flag indicates that the data has been supplied at a lower rate than the required rate.</p> <p>This bit is set to 1 regardless of the setting of UIEN bit. In order to clear it to 0, write 0 in it.</p> <p>If UIRQ = 1 and UIEN = 1, then an interrupt will be generated.</p> <p>When TRMD = 0 (Receive Mode):</p> <p>If UIRQ = 1, it indicates that SSIRDR was read out before DMRQ and DIRQ bits would indicate the existence of new unread data. In this instance, the same received data may be stored twice by the host, which can lead to destruction of multi-channel data.</p> <p>When TRMD = 1 (Transmit Mode):</p> <p>If UIRQ = 1, it indicates that the transmitted data was not written in SSITDR. By this, the same data may be transmitted one time too often, which can lead to destruction of multi-channel data. Consequently, erroneous SSI data will be output, which makes this error more serious than underflow in the receive mode.</p> <p>Note: When underflow error occurs, the data in the data buffer will be transmitted until the next data is written in.</p>

Bit	Bit Name	Initial Value	R/W	Description
26	OIRQ	0	R/W*	<p>Overflow Error Interrupt Status Flag</p> <p>This status flag indicates that the data has been supplied at a higher rate than the required rate.</p> <p>This bit is set to 1 regardless of the setting of OIEN bit. In order to clear it to 0, write 0 in it.</p> <p>If OIRQ = 1 and OIEN = 1, then an interrupt will be generated.</p> <p>When TRMD = 0 (Receive Mode):</p> <p>If OIRQ = 1, it indicates that the previous unread data had not been read out before new unread data was written in SSIRDR. This may cause the loss of data, which can lead to destruction of multi-channel data.</p> <p>Note: When overflow error occurs, the data in the data buffer will be overwritten by the next data sent from the SSI interface.</p> <p>When TRMD = 1 (Transmit Mode):</p> <p>If OIRQ = 1, it indicates that SSITDR had data written in before the data in SSITDR was transferred to the shift register. This may cause the loss of data, which can lead to destruction of multi-channel data.</p>
25	IIRQ	1	R	<p>Idle Mode Interrupt Status Flag</p> <p>This status flag indicates whether the SSI module is in the idle status. This bit is set to 1 regardless of the setting of I IEN bit, so that polling will be possible.</p> <p>The interrupt can be masked by clearing the I IEN bit to 0, but writing 0 in this bit will not clear the interrupt.</p> <p>If IIRQ = 1 and I IEN = 1, then an interrupt will be generated.</p> <p>0: The SSI module is not in the idle status. 1: The SSI module is in the idle status.</p> <p>In the idle state, the serial bus operation is stopped after the SSI module is activated.</p>

Bit	Bit Name	Initial Value	R/W	Description
24	DIRQ	0	R	<p>Data Interrupt Status Flag</p> <p>This status flag indicates that the SSI module requires that data be either read out or written in.</p> <p>This bit is set to 1 regardless of the setting of DIEN bit, so that polling will be possible.</p> <p>The interrupt can be masked by clearing DIEN bit to 0, but writing 0 in this bit will not clear the interrupt.</p> <p>If DIRQ = 1 and DIEN = 1, then an interrupt will be generated.</p> <p>When TRMD = 0 (Receive Mode):</p> <p>0: No unread data exists in SSIRDR.</p> <p>1: Unread data exists in SSIRDR.</p> <p>When TRMD = 1 (Transmit Mode):</p> <p>0: The transmit buffer is full.</p> <p>1: The transmit buffer is empty, and requires that data be written in SSITDR.</p>
23 to 4	—	0	R	<p>Reserved</p> <p>These bits are always read as an undefined value. The write value should always be 0.</p>
3	CHNO1	0	R	Channel Number
2	CHNO0	0	R	<p>The number indicates the current channel.</p> <p>When TRMD = 0 (Receive Mode):</p> <p>This bit indicates to which channel the current data in SSIRDR belongs. When the data in SSIRDR is updated by transfer from the shift register, this value will change.</p> <p>When TRMD = 1 (Transmit Mode):</p> <p>This bit indicates the data of which channel should be written in SSITDR. When data is copied to the shift register, regardless whether the data is written in SSITDR, this value will change.</p>

Bit	Bit Name	Initial Value	R/W	Description
1	SWNO	1	R	<p>Serial Word Number</p> <p>The number indicates the current word number.</p> <p>When TRMD = 0 (Receive Mode):</p> <p>This bit indicates which system word the current data in SSIRDR is. Regardless whether the data has been read out from SSIRDR, when the data in SSIRDR is updated by transfer from the shift register, this value will change.</p> <p>When TRMD = 1 (Transmit Mode):</p> <p>This bit indicates which system word should be written in SSITDR. When data is copied to the shift register, regardless whether the data is written in SSITDR, this value will change.</p>
0	IDST	1	R	<p>Idle Mode Status Flag</p> <p>Indicates that the serial bus activity has ceased.</p> <p>This bit is cleared if EN = 1 and the serial bus is currently active.</p> <p>This bit can be set to 1 automatically under the following conditions.</p> <p>SSI = Serial bus master transmitter (SWSD = 1 and TRMD = 1):</p> <p>This bit is set to 1 if no more data has been written to SSITDR and the current system word has been completed. It can also be set to 1 when the EN bit has been cleared and the data that has been written to SSITDR is output on the serial data input/output pin (SSI_SDATA), i.e., the serial data of the system word length is output.</p> <p>SSI = Serial bus master receiver (SWSD = 1 and TRMD = 0):</p> <p>This bit is set to 1 if the EN bit is cleared and the current system word is completed.</p> <p>SSI = slave transmitter/ receiver (SWSD = 0):</p> <p>This bit is set to 1 if the EN bit is cleared and the current system word is completed.</p> <p>Note that when transmitting the data transmission in slave mode, the WS signal should be input until SSICR.IDST becomes 1 after SSICR.EN is cleared to 0.</p> <p>Note: If the external device stops the serial bus clock before the current system word is completed then this bit will never be set.</p>

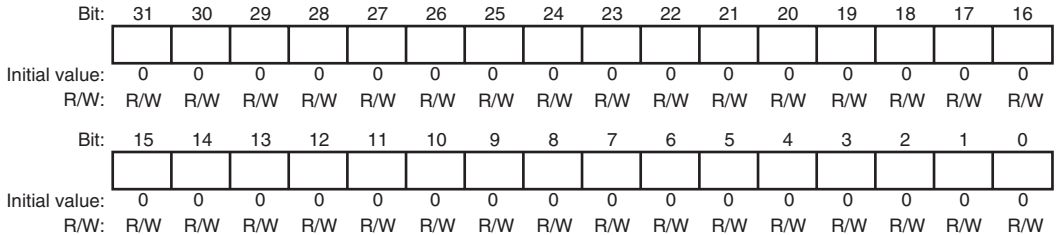
Note: * These bits are readable/writable bits. If writing 0, these bits are initialized, although writing 1 is ignored.

26.3.3 Transmit Data Register (SSITDR)

SSITDR is a 32-bit register that stores data to be transmitted.

Data written to SSITDR is transferred to the shift register as it is required for transmission. If the data word length is less than 32 bits then its alignment should be as defined by the PDTA control bit in SSICR.

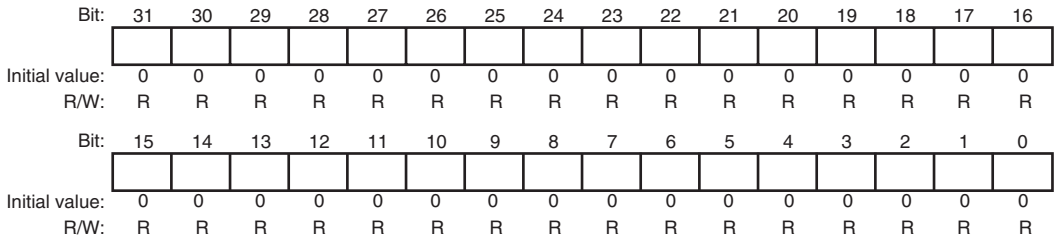
Reading this register will return the data in the buffer.



26.3.4 Receive Data Register (SSIRDR)

SSIRDR is a 32-bit register that stores the received data.

Data in SSIRDR is transferred from the shift register as each data word is received. If the data word length is less than 32 bits then its alignment should be as defined by the PDTA control bit in SSICR.



26.4 Operation

26.4.1 Bus Format

The SSI module can operate as a transmitter or a receiver and can be configured into many serial bus formats in either mode.

The bus formats can be one of eight major modes as shown in table 26.3.

Table 26.3 Bus Formats of SSI Module

Bus Format	TPMD	CPEN	SCKD	SWSD	EN	MUEN	DIEN	IEN	OEN	UIEN	DEL	PDTA	SDTA	SPDP	SWSP	SCKP	SWL[2:0]	DWL[2:0]	CHNL[1:0]		
Non-Compressed Slave Receiver	0	0	0	0	Control bits						Configuration bits										
Non-Compressed Slave Transmitter	1	0	0	0	Control bits						Configuration bits										
Non-Compressed Master Receiver	0	0	1	1	Control bits						Configuration bits										
Non-Compressed Master Transmitter	1	0	1	1	Control bits						Configuration bits										
Compressed Slave Receiver	0	1	0/1	0	Control bits						1	Ignored	Configu- ration bits	Ignored							
Compressed Slave Transmitter	Cannot be used																				
Compressed Master Receiver	0	1	0/1	1	Control bits						1	Ignored	Configu- ration bits	Ignored							
Compressed Master Transmitter	1	1	0/1	1	Control bits						1	Ignored	Configu- ration bits	Ignored							

26.4.2 Non-Compressed Modes

The non-compressed mode is designed to support all serial audio streams which are split into channels. It can support Philips, Sony and Matsushita modes as well as many more variants on these modes.

(1) Slave Receiver

This mode allows the SSI module to receive serial data from another device. The clock and word select signals used for the serial data stream are also supplied from an external device. If these signals do not conform to the format as specified in the SSI module then operation is not guaranteed.

(2) Slave Transmitter

This mode allows the SSI module to transmit serial data to another device. The clock and word select signals used for the serial data stream are also supplied from an external device. If these signals do not conform to the format as specified in the SSI module then operation is not guaranteed.

(3) Master Receiver

This mode allows the SSI module to receive serial data from another device. The clock and word select signals are internally derived from the SSI_CLK input clock. The format of these signals is as defined in the SSI module. If the incoming data does not conform to the defined format then operation is not guaranteed.

(4) Master Transmitter

This mode allows the SSI module to transmit serial data to another device. The clock and word select signals are internally derived from the SSI_CLK input clock. The format of these signals is as defined in the configuration bits in the SSI module.

(5) Configuration Fields—Word Length Related

All configuration bits relating to the word length of SSICR are valid in non-compressed modes.

There are many configurations that the SSI module can support and it is not sensible to show all of the serial data formats in this document. Some of the combinations are shown below for the popular formats by Philips, Sony, and Matsushita.

1. Philips Format

Figures 26.2 and 26.3 show the supported Philips protocol both with padding and without. Padding occurs when the data word length is smaller than the system word length.

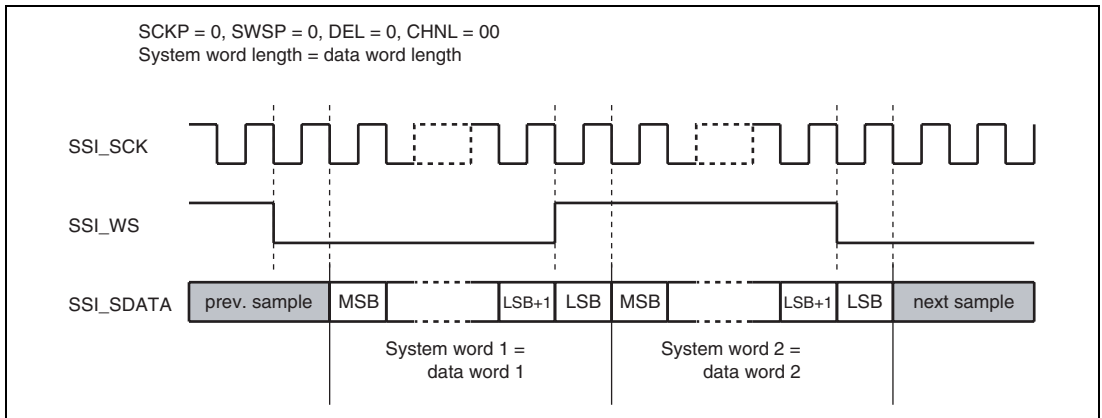


Figure 26.2 Philips Format (with No Padding)

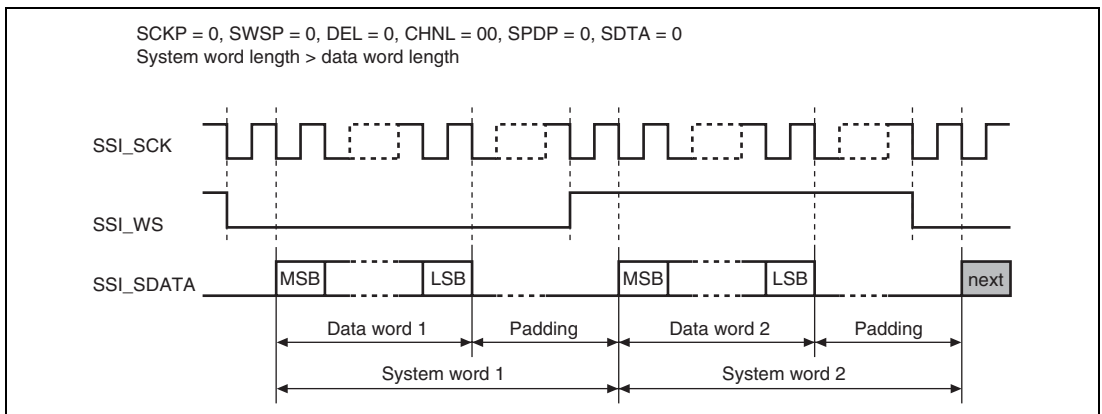


Figure 26.3 Philips Format (with Padding)

Figure 26.4 shows the format used by Sony. Figure 26.5 shows the format used by Matsushita. Padding is assumed in both cases, but may not be present in a final implementation if the system word length equals the data word length.

2. Sony Format

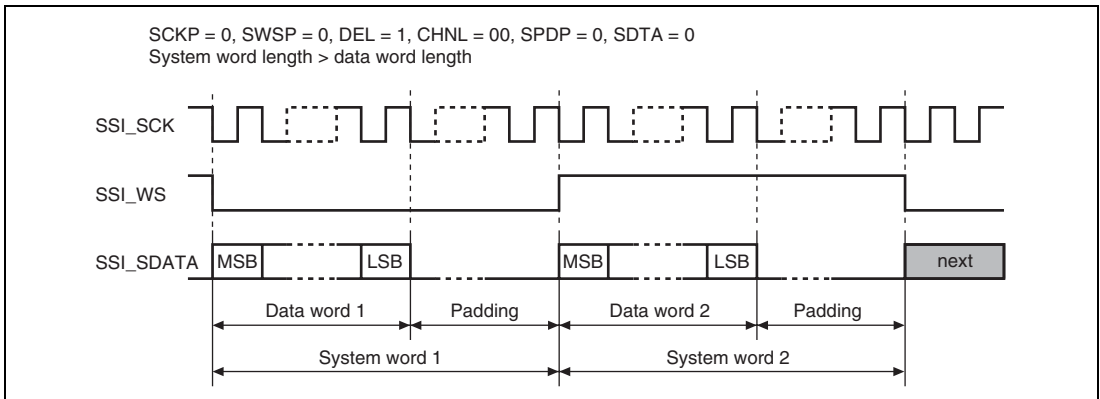


Figure 26.4 Sony Format (with Serial Data First, Followed by Padding Bits)

3. Matsushita Format

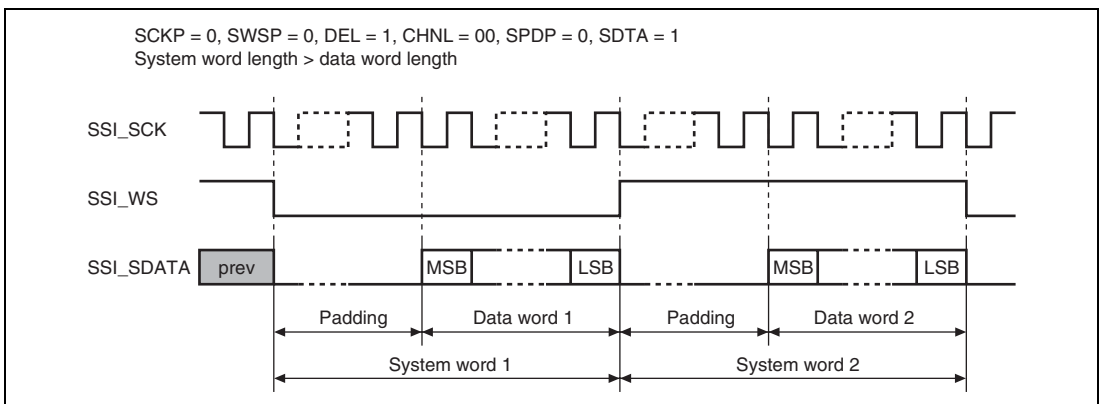


Figure 26.5 Matsushita Format (with Padding Bits First, Followed by Serial Data)

(6) Multi-Channel Formats

There is an extend format of the definition of the specification by Philips and allows more than 2 channels to be transferred within two system words.

The SSI module supports the transfer of 4, 6 and 8 channels by the use of the CHNL, SWL and DWL bits. It is important that the system word length (SWL) is greater than or equal to the number of channels (CHNL) times the data word length (DWL).

Table 26.4 shows the number of padding bits for each of the valid configurations. If a setup is not valid it does not have a number in the following table and has instead a dash.

Table 26.4 Number of Padding Bits for Each Valid Configuration

Padding Bits Per System Word			DWL[2:0]	000	001	010	011	100	101	110
CHNL [1:0]	Decoded Channels per System Word	SWL [2:0]	Decoded Word Length	8	16	18	20	22	24	32
00	1	000	8	0	—	—	—	—	—	—
		001	16	8	0	—	—	—	—	—
		010	24	16	8	6	4	2	0	—
		011	32	24	16	14	12	10	8	0
		100	48	40	32	30	28	26	24	16
		101	64	56	48	46	44	42	40	32
		110	128	120	112	110	108	106	104	96
		111	256	248	240	238	236	234	232	224
01	2	000	8	—	—	—	—	—	—	—
		001	16	0	—	—	—	—	—	—
		010	24	8	—	—	—	—	—	—
		011	32	16	0	—	—	—	—	—
		100	48	32	16	12	8	4	0	—
		101	64	48	32	28	24	20	16	0
		110	128	112	96	92	88	84	80	64
		111	256	240	224	220	216	212	208	192
10	3	000	8	—	—	—	—	—	—	—
		001	16	—	—	—	—	—	—	—
		010	24	0	—	—	—	—	—	—
		011	32	8	—	—	—	—	—	—
		100	48	24	0	—	—	—	—	—
		101	64	40	16	10	4	—	—	—
		110	128	104	80	74	68	62	56	32
		111	256	232	208	202	196	190	184	160
11	4	000	8	—	—	—	—	—	—	—
		001	16	—	—	—	—	—	—	—
		010	24	—	—	—	—	—	—	—
		011	32	0	—	—	—	—	—	—
		100	48	16	—	—	—	—	—	—
		101	64	32	0	—	—	—	—	—
		110	128	96	64	56	48	40	32	0
		111	256	224	192	184	176	168	160	128

In the case of the SSI module configured as a transmitter then each word that is written to SSITDR is transmitted in order on the serial audio bus.

In the case of the SSI module configured as a receiver each word received on the serial audio bus is presented for reading in order by SSIRDR.

Figures 26.6 to 26.8 show how 4, 6 and 8 channels are transferred on the serial audio bus.

Note that there are no padding bits in the first example, serial data is transmitted/received first and followed by padding bits in the second example, and padding bits are transmitted/received first and followed by serial data in the third example. This selection is purely arbitrary.

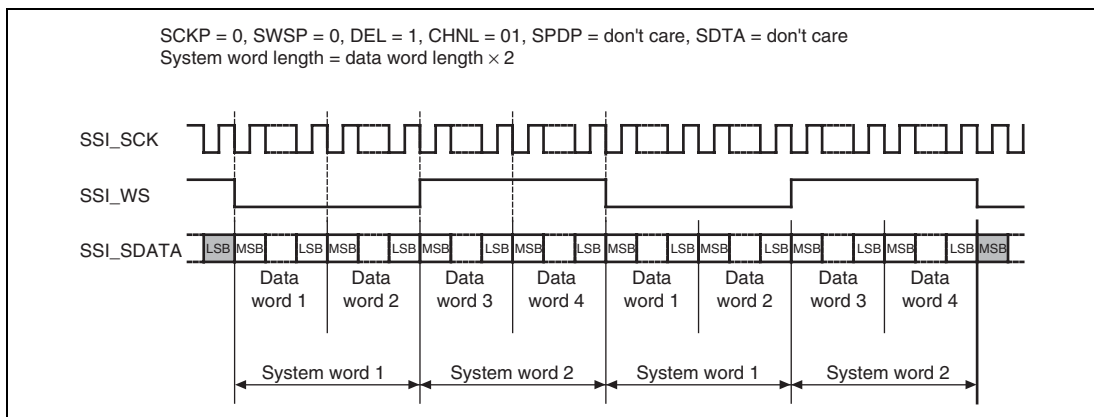


Figure 26.6 Multi-channel Format (4 Channels, No Padding)

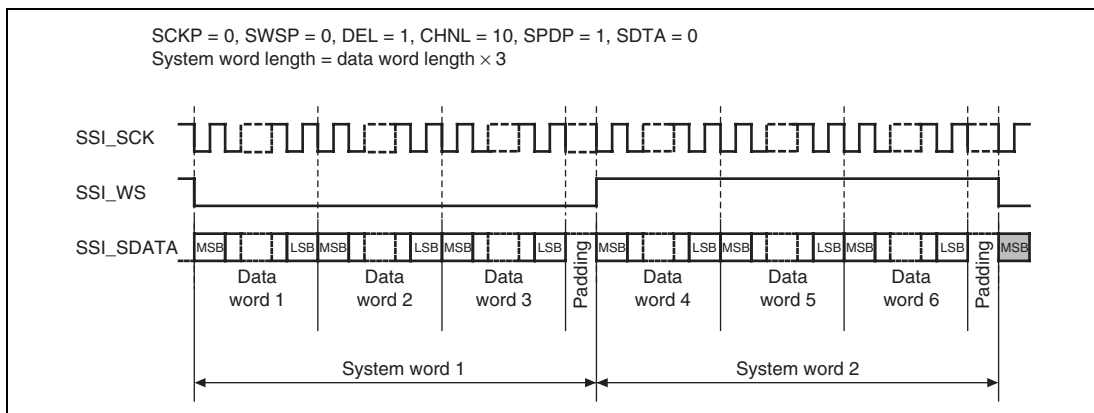


Figure 26.7 Multi-channel Format (6 Channels with High Padding)

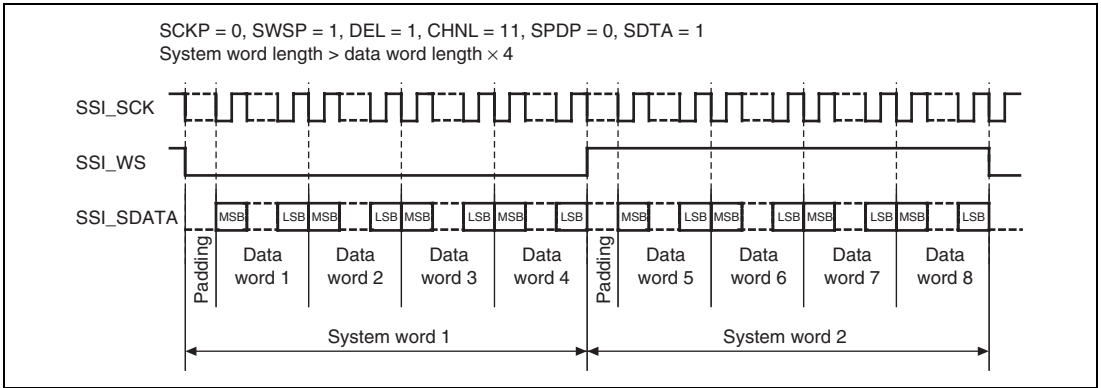
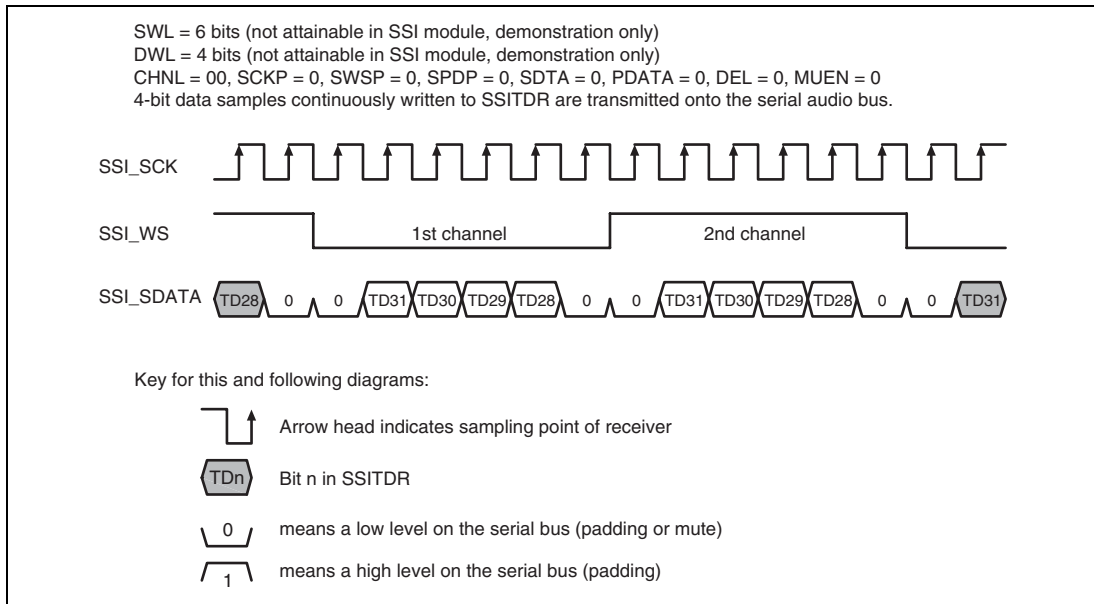


Figure 26.8 Multi-channel Format (8 Channels, Serial Data First, Followed by Padding Bits, with Padding)

(7) Configuration Fields—Signal Format Fields

There are several more configuration bits in non-compressed mode which will now be demonstrated. These bits are NOT mutually exclusive, however some configurations will probably not be useful for any other device.

They are demonstrated by referring to the following basic sample format shown in figure 26.9.



**Figure 26.9 Basic Sample Format
 (Transmit Mode with Example System/Data Word Length)**

In figure 26.9, system word length of 6 bits and a data word length of 4 bits are used. Neither of these are possible with the SSI module but are used only for clarification of the other configuration bits.

1. Inverted Clock

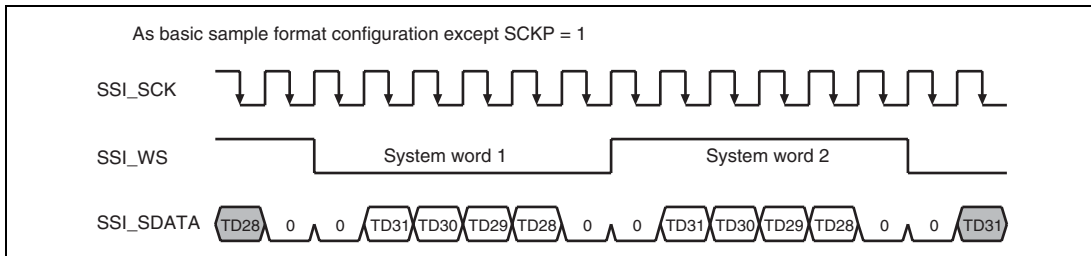


Figure 26.10 Inverted Clock

2. Inverted Word Select

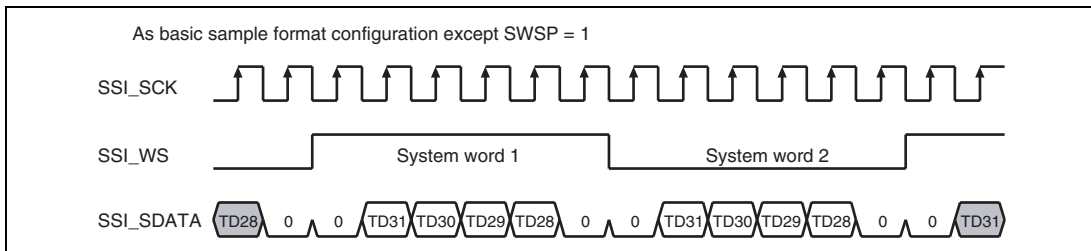


Figure 26.11 Inverted Word Select

3. Inverted Padding Polarity

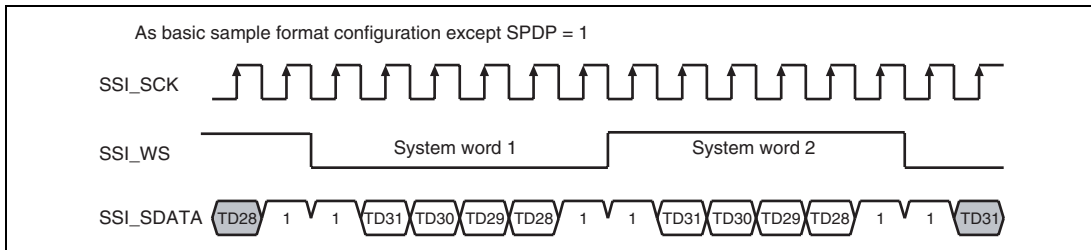
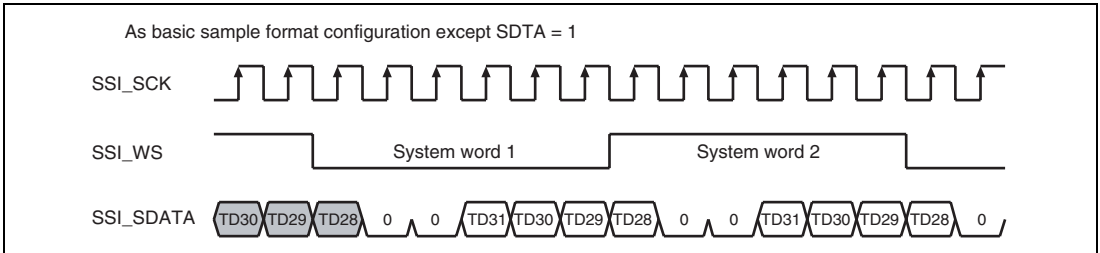
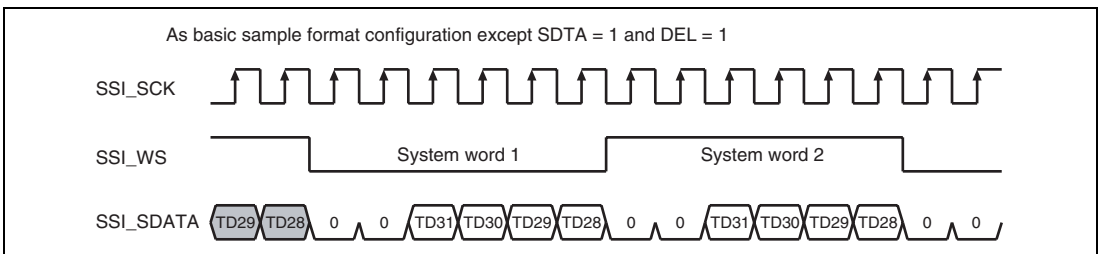


Figure 26.12 Inverted Padding Polarity

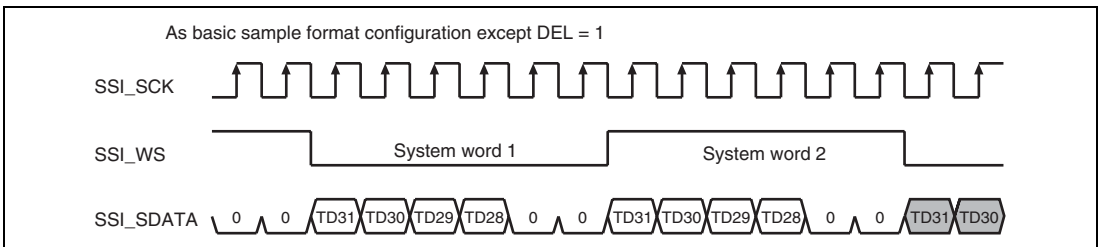
4. Padding Bits First, Followed by Serial Data, with Delay

**Figure 26.13 Padding Bits First, Followed by Serial Data, with Delay**

5. Padding Bits First, Followed by Serial Data, without Delay

**Figure 26.14 Padding Bits First, Followed by Serial Data, without Delay**

6. Serial Data First, Followed by Padding Bits, without Delay

**Figure 26.15 Serial Data First, Followed by Padding Bits, without Delay**

7. Parallel Right Aligned with Delay

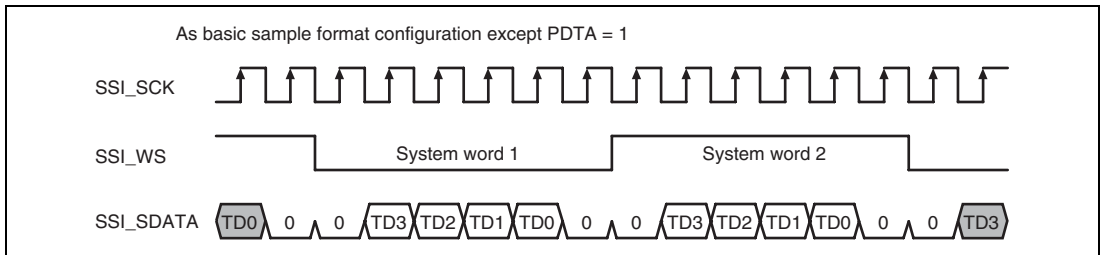


Figure 26.16 Parallel Right Aligned with Delay

8. Mute Enabled

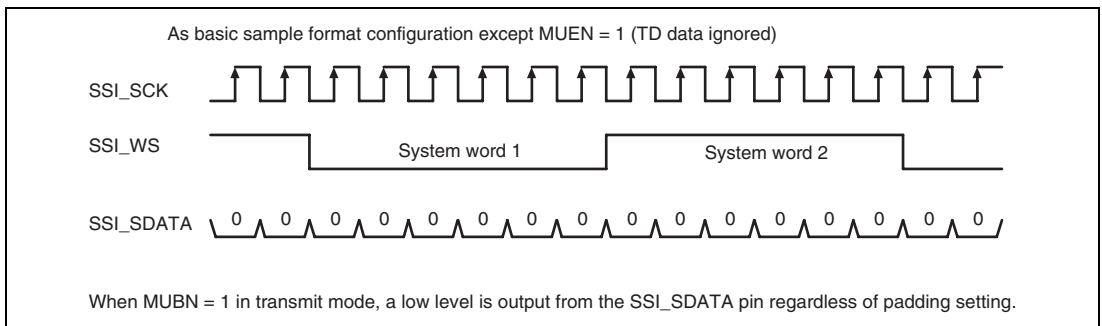


Figure 26.17 Mute Enabled

26.4.3 Compressed Modes

The compressed mode is used to transfer a continuous bit stream. This would typically be a compressed bit stream which requires downstream decoding.

When burst mode is not enabled, there is no concept of a data word. However in order to receive and transmit it is necessary to transfer between the serial bus and word formatted memory. Therefore the word boundary selection is arbitrary during receive/transmit and must be dealt with by another module. When burst mode is enabled then data bits being transmitted can be identified by virtue of the fact that the serial clock output is only activated when there is a word to be output and only the required number of clock pulses necessary to clock out each 32-bit word are generated. The serial bit clock stops at a low level when SSICR.SCKP = 0, and at a high level when SSICR.SCKP = 1. Note burst mode is only valid in the context of the SSI module being a transmitter of data. Burst mode data cannot be received by this module.

Data is transmitted and received in blocks of 32 bits, and the first bit received/transmitted bit is bit 31 when stored in memory.

The word select pin in this mode does not act as a system word start signal as in non-compressed mode, but instead is used to indicate that the receiver can receive another data burst, or the transmitter can transmit another data burst.

Figures 26.18 and 26.19 show the compressed mode data transfer, with burst mode disabled, and enabled, respectively.

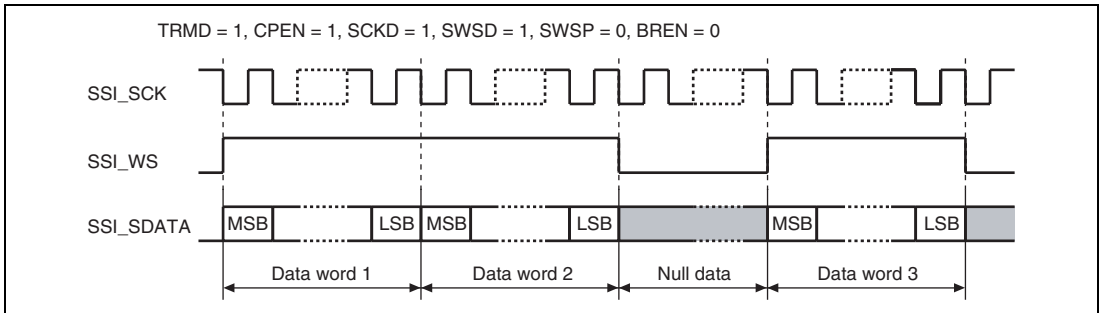


Figure 26.18 Compressed Data Format, Master Transmitter, Burst Mode Disabled

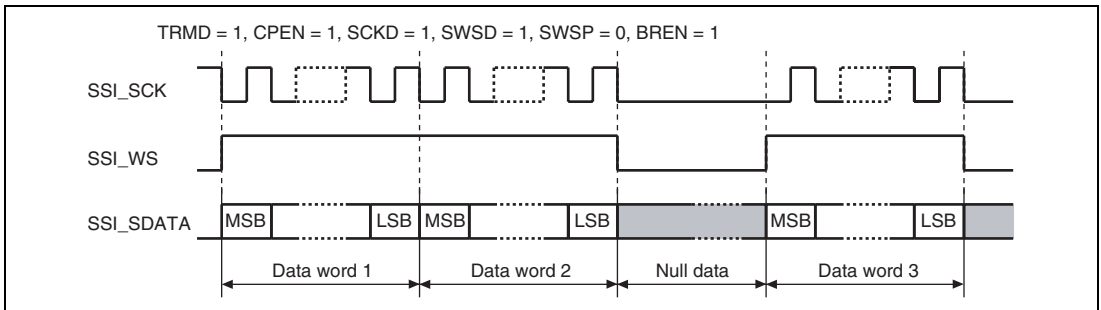


Figure 26.19 Compressed Data Format, Master Transmitter, and Burst Mode Enabled

(1) Slave Receiver

This mode allows the module to receive a serial bit stream from another device and store it in memory.

The shift register clock can be supplied from an external device or from an internal clock.

The word select pin is used as an input flow control. Assuming that SWSP = 0 if SSI_WS is high then the module will receive the bit stream in blocks of 32 bits, one data bit per clock. If SSI_WS goes low then the module will complete the current 32-bit block and then stop any further reception, until SSI_WS goes high again.

(2) Slave Transmitter

This mode cannot be used.

(3) Master Receiver

This mode allows the SSI module to receive a serial bit stream from another device and store it in memory.

The shift register clock can be supplied from an external device or from an internal clock.

The word select pin is used as an output flow control. The module always asserts the word select signal to indicate it can receive more data continuously. It is the responsibility of the transmitting device to ensure it can transmit data to the SSI module in time to ensure no data is lost.

(4) Master Transmitter

This mode allows the module to transmit a serial bit stream from internal memory to another device.

The shift register clock can be supplied from an external device or from an internal clock.

The word select pin is used as an output flow control. The module always asserts the word select signal to indicate it will transmit more data continuously. Word select signal is not asserted until the first word is ready to transmit however. It is the responsibility of the receiving device to ensure it can receive the serial data in time to ensure no data is lost.

When the configuration for data transfer is completed, the SSI module can work with the minimum interaction with CPU. The CPU specifies settings for the SSI module and DMAC then handles overflow/ underflow interrupts if required.

26.4.4 Operation Modes

There are three modes of operation: configuration, enabled and disabled. Figure 26.20 shows the transition diagram between these operation modes.

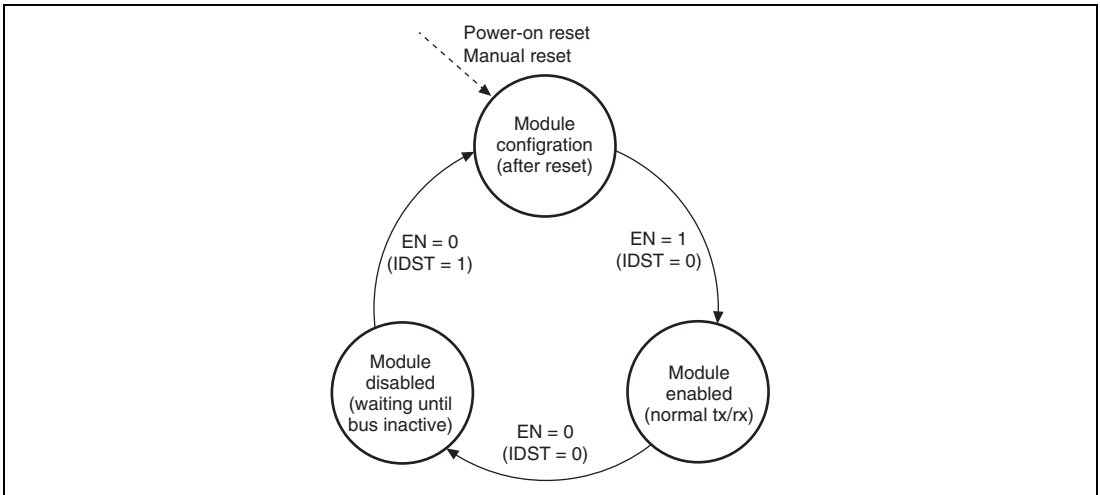


Figure 26.20 Transition Diagram between Operation Modes

(1) Configuration Mode

This mode is entered after the module is released from reset. All required settings in the control register should be defined in this mode, before the SSI module is enabled by setting the EN bit.

Setting the EN bit causes the SSI module to enter the module enabled mode.

(2) Module Enabled Mode:

Operation of the module in this mode depends on the selected operating mode. For details, see section 26.4.5, Transmit Operation and section 26.4.6, Receive Operation.

26.4.5 Transmit Operation

Transmission can be controlled in one of two ways: either DMA or an interrupt driven.

DMA driven is preferred to reduce the CPU load. In DMA control mode, an underflow or overflow of data or DMAC transfer end is notified by using an interrupt.

The alternative is using the interrupts that the SSI module generates to supply data as required. This mode has a higher interrupt load as the SSI module is only double buffered and will require data to be written at least every system word period.

When disabling the SSI module, the SSI clock* must be supplied continuously until the module enters in the idle state, indicated by the IIRQ bit.

Figure 26.21 shows the transmit operation in the DMA controller mode. Figure 26.22 shows the transmit operation in the interrupt controller mode.

Note: * SCKD = 0: Clock input through the SSI_SCK pin
SCKD = 1: Clock input through the SSI_CLK pin

(1) Transmission Using DMA Controller

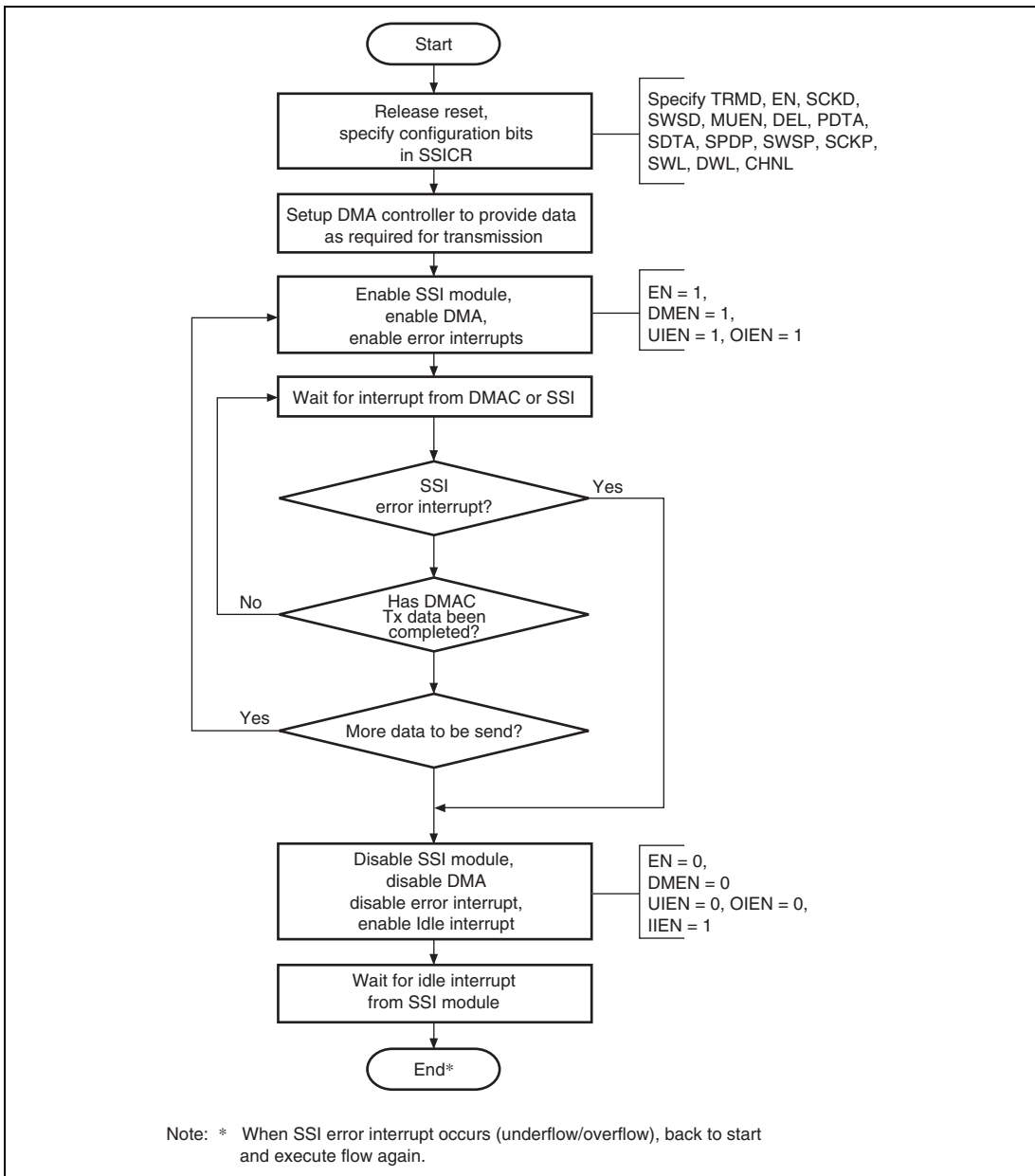


Figure 26.21 Transmission Using DMA Controller

(2) Transmission using Interrupt Data Flow Control

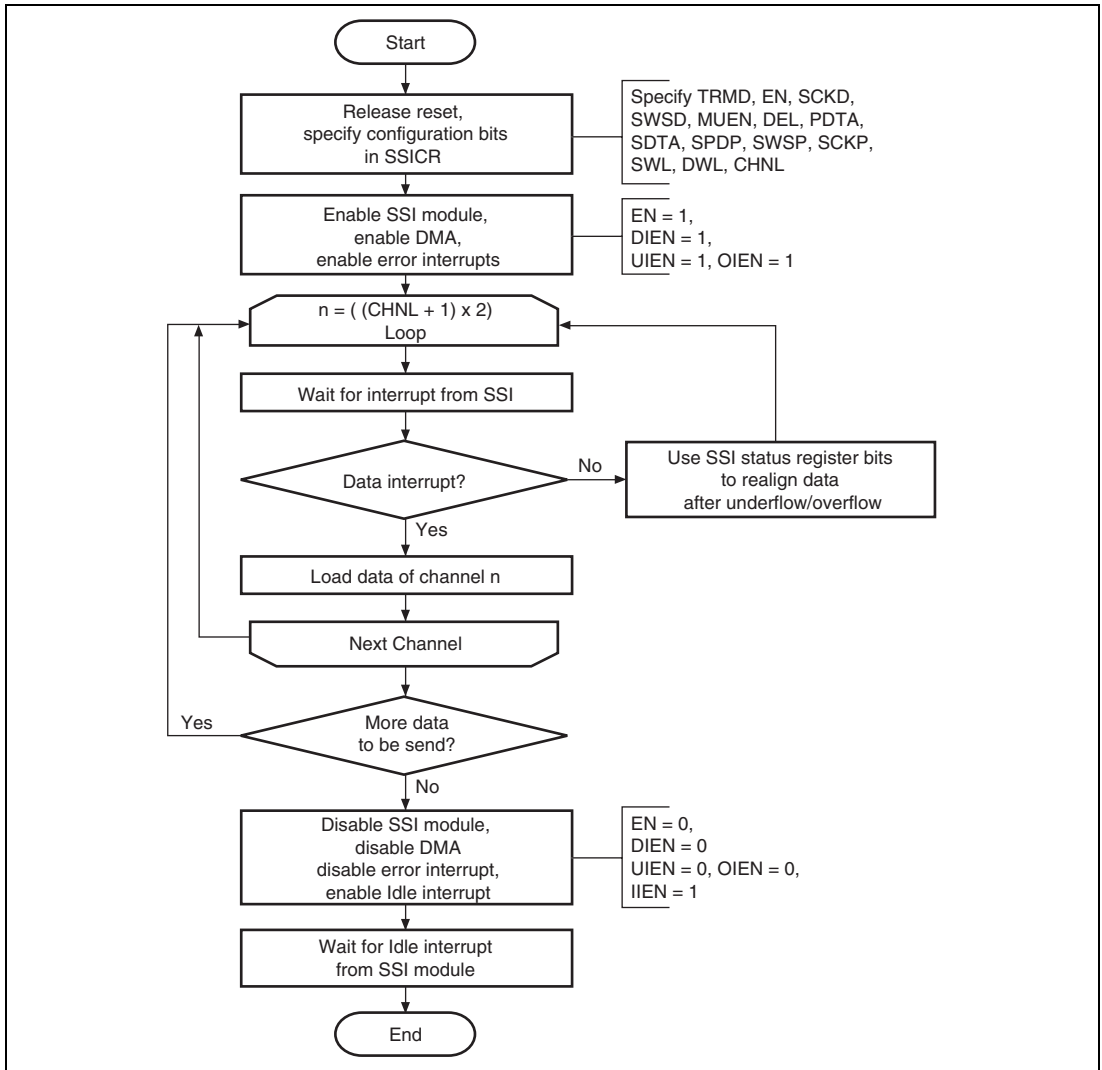


Figure 26.22 Transmission Using Interrupt Data Flow Control

26.4.6 Receive Operation

As with transmission the reception can be controlled in one of two ways: either DMA or an interrupt driven.

Figures 26.23 and 26.24 show the flow of operation.

When disabling the SSI module, the SSI clock must be supplied continuously until the module enters in the idle state, which is indicated by the IIRQ bit.

Note: * SCKD = 0: Clock input through the SSI_SCK pin
SCKD = 1: Clock input through the SSI_CLK pin

(1) Reception Using DMA Controller

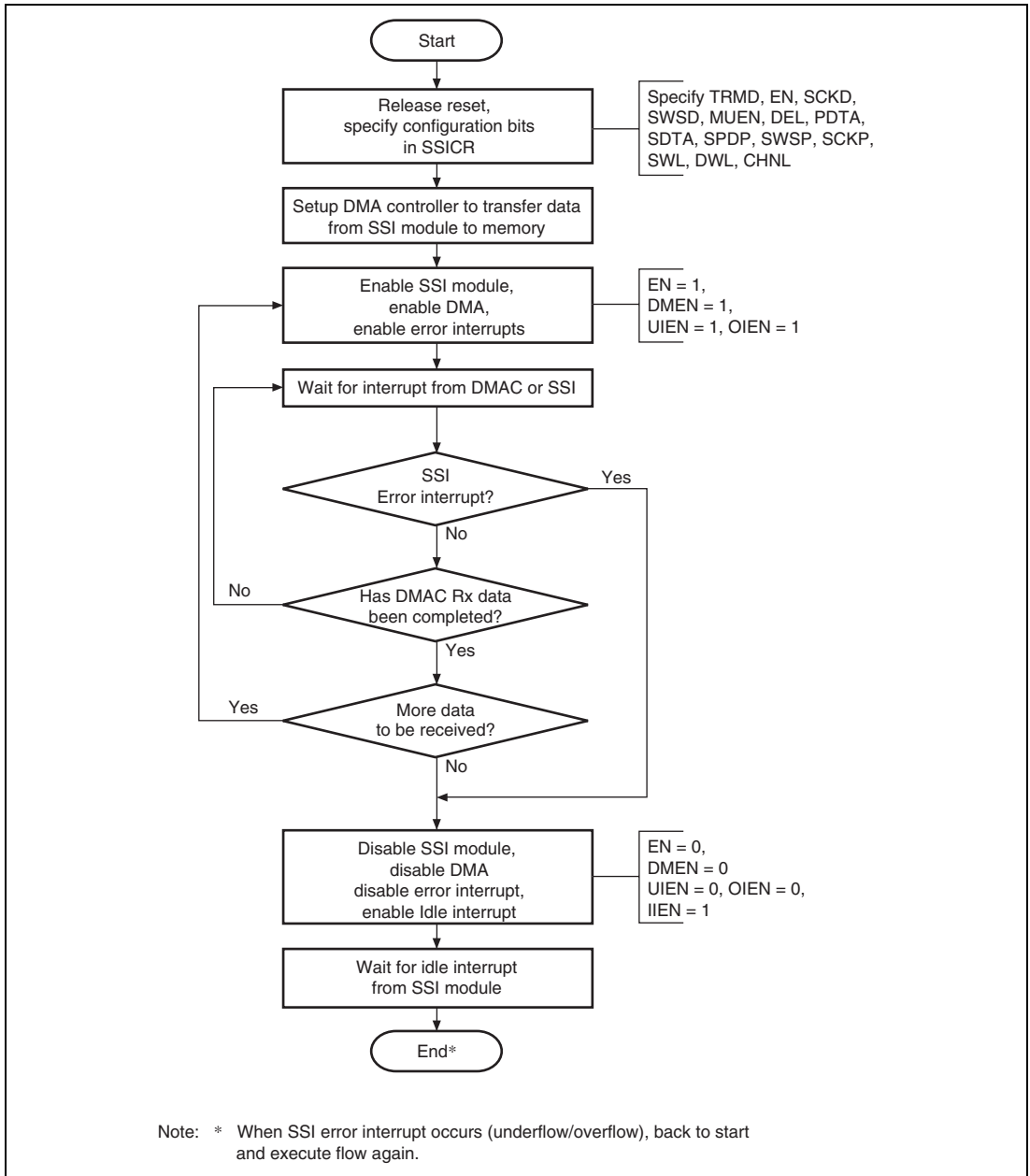


Figure 26.23 Reception Using DMA Controller

(2) Reception Using Interrupt Data Flow Control

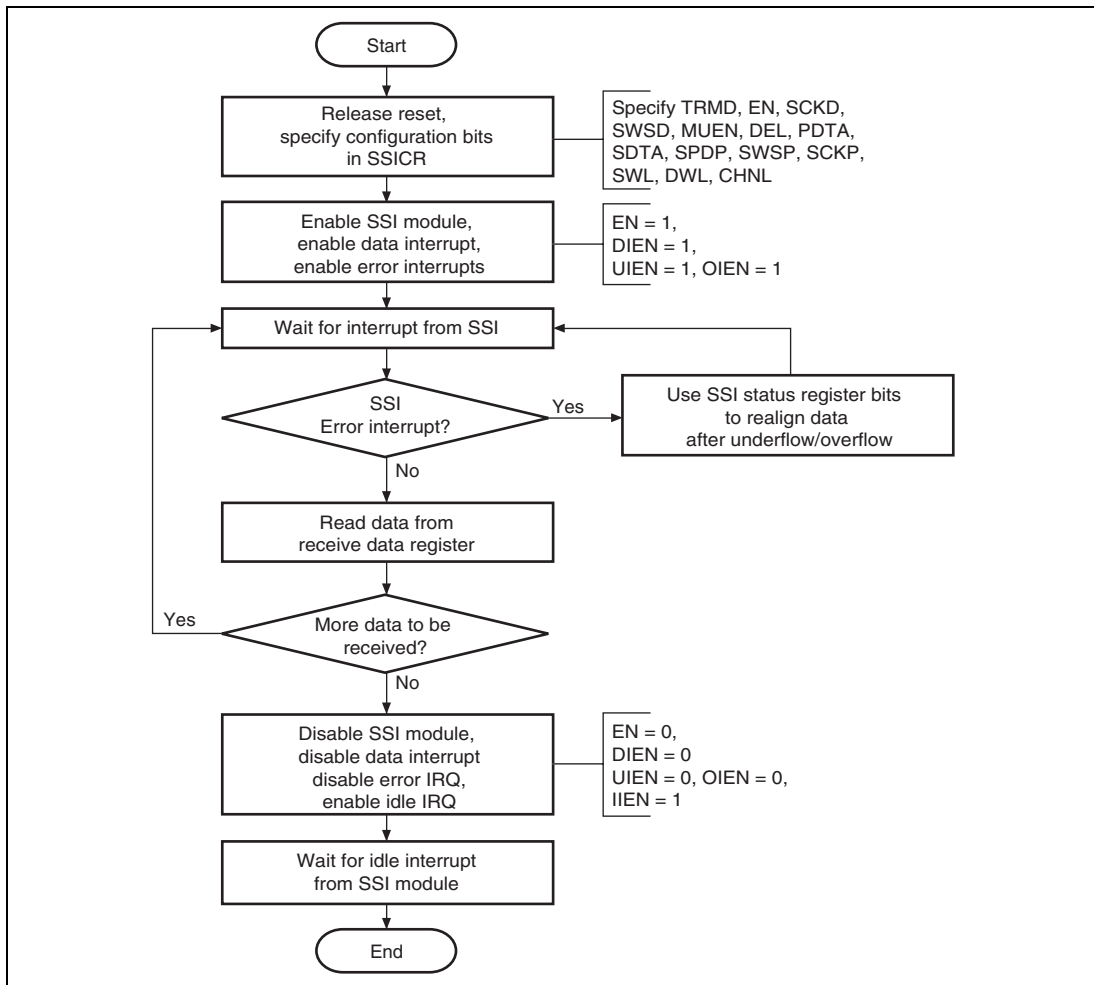


Figure 26.24 Reception Using Interrupt Data Flow Control

When an underflow or overflow error condition is met ($UIRQ = 1$ or $OIRQ = 1$), the $CHNO[1:0]$ and $SWNO$ bits can be used to recover the SSI module to a known status. When an underflow or overflow occurs, the CPU can read the number of channels and the number of system words to determine what point the serial audio stream has currently reached. In the transmitter case, the CPU can skip forward through the data it wants to transmit until the transmit of the data for which the SSI module is expecting to transmit next is enabled, and so resynchronize with the audio data stream. In the receiver case, the CPU can skip forward storing null sample data until it is ready to store the sample data that the SSI module will receive next to ensure consistency of the number of received data, and so resynchronize with the audio data stream.

26.4.7 Serial Clock Control

This function is used to control and select which clock is used for the serial bus interface.

If the serial clock direction is set to input ($SCKD = 0$), the SSI module is in clock slave mode, then the bit clock that is used in the shift register is derived from the SSI_SCK pin.

If the serial clock direction is set to output ($SCKD = 1$), the SSI module is in clock master mode, and the shift register uses the bit clock derived from the SSI_CLK input pin or its clock divided. This input clock is then divided by the ratio in the serial oversampling clock division ratio ($CKDV$) bits in $SSICR$ and used as the bit clock in the shift register.

In either case, the SSI_SCK pin output is the same as the bit clock.

26.5 Usage Note

26.5.1 Restrictions when an Overflow Occurs during Receive DMA Operation

If an overflow occurs during receive DMA operation, the module must be reactivated.

The receive buffer of SSI has 32-bit common register to the left channel and right channel. If an overflow occurs under the condition of control register (SSICR) data-word length (DWL2 to 0) is 32-bit and system-word length (SWL2 to 0) is 32-bit, SSI has received the data at right channel that should be received at left channel.

If an overflow occurrence is confirmed through an overflow error interrupt or overflow error status flag (the OIRQ bit in SSISR), disable the DMA transfer of the SSI to halt its operation by writing 0 to the EN bit and DMEN bit in SSICR (then terminate the DMAC setting). And clear the overflow status flag by writing 0 to the OIRQ bit, set the DMA again to restart transfer.

26.5.2 Pin Function Setting for the SSI Module

Before setting or activating the SSI module, set the peripheral module select registers and the port control registers in terms of the SSI0 and SSI1 channels as described in section 28, General Purpose I/O Ports (GPIO).

26.5.3 Usage Note in Slave Mode

When terminating data transmission in slave mode, the WS signal (SSI WS) input should be kept the active state until SSICR.IDST becomes 1 after SSICR.EN is cleared to 0 (see next page figure). The “active state” means the WS signal is being input high (or low) and low (or high) alternately as for each system word cycles (it will become more than five system word cycles after EN bit is cleared to 0).

If the WS signal active state input is stopped before SSICR.IDST becomes 1, the transfer of the SSI is not terminated normally and the transfer will be suspended. If SSICR.EN is set to 1 again in this state, the transfer is resumed from the suspended state and an unexpected data transfer may occur.

Note that, the normal data transmission of the SSI can be resumed from the first or second WS falling edge after the EN bit is set to 1 while the IDST bit is 1.

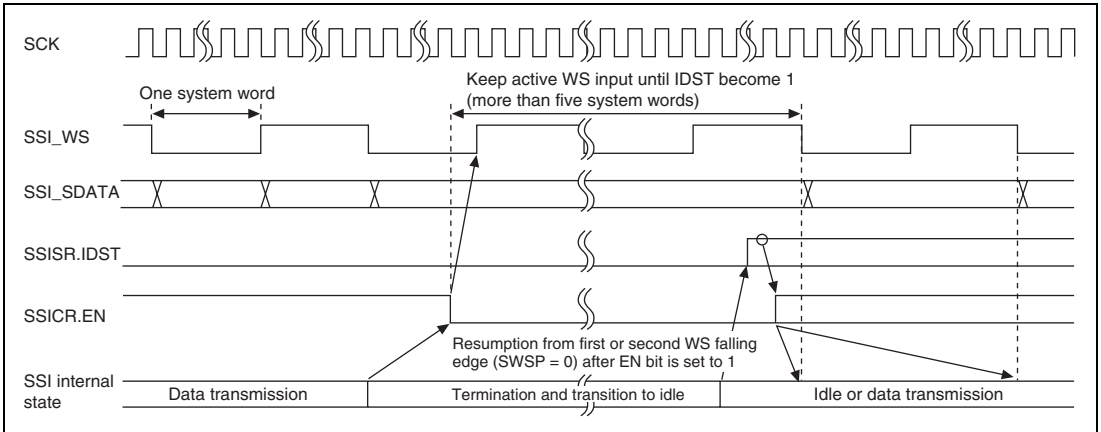


Figure 26.25 SSI Transfer Termination and Resumption Timing in Slave Mode

Section 27 NAND Flash Memory Controller (FLCTL)

The NAND flash memory controller (FLCTL) provides interfaces with an external NAND-type flash memory.

27.1 Features

(1) NAND-Type Flash Memory Interface

- Interface that can be connected to NAND-type flash memory
- Read or write in sector* units (512 + 16 bytes)
- Read or write in byte units

Note: * In the data sheet of NAND-type flash memory, an access unit of some products is defined to be 2048 + 64 bytes as a page. In this document, a sector always refers to the access unit of 512 + 16 bytes.

(2) Access Modes

The FLCTL has two selectable access modes.

- Command access mode:
Performs an access by specifying a command to be issued from the FLCTL to flash memory, address, and data size to be input or output.
- Sector access mode:
Read or write in physical sector units by specifying a physical sector. By specifying the number of sectors, the continuous physical sectors can be read from or written to.

(3) Sectors and Control Codes

- A sector is comprised of 512-byte data and 16-byte control code.

(4) Data Error

- When a program error or erase error occurs, the error is reflected on the error source flags. Interrupts for each source can be specified.

(5) Data Transfer FIFO

- On-chip 224-byte FLDTFIFO for data transfer of flash memory
- On-chip 32-byte FLECFIFO for data transfer of a control code
- Flag bit for detection of overrun or underrun during access from the CPU or DMA

(6) DMA Transfer

- By individually specifying the transfer destinations of data and control code of flash memory to the DMA controller, data and control code can be transferred to different areas.

(7) Access Size

- Registers include 32-bit registers and an 8-bit register. Read from or write to the register with the specified access size.
- The access size of FIFO is 32 bits (4 bytes). In reading, set the byte number to a multiple of four. In writing, set the byte number to a multiple of four in writing.

(8) Access Time

- The operating frequency of the FLCTL pins can be specified by the FCKSEL bit and the QTSEL bit in FLCMNCR, regardless of the operating frequency of the peripheral bus.
- The operating clock, FCLK, on the pins for the NAND-type flash memory is used by dividing the operating clock of the peripheral bus (a peripheral clock).
- In NAND-type flash memory, the FRE and $\overline{\text{FWE}}$ pins operate with the FCLK specified by FLCMNCR. To ensure the setup time, this operating frequencies should not exceed the maximum operating frequency of memory to be connected.

Figure 27.1 shows a block diagram of the FLCTL.

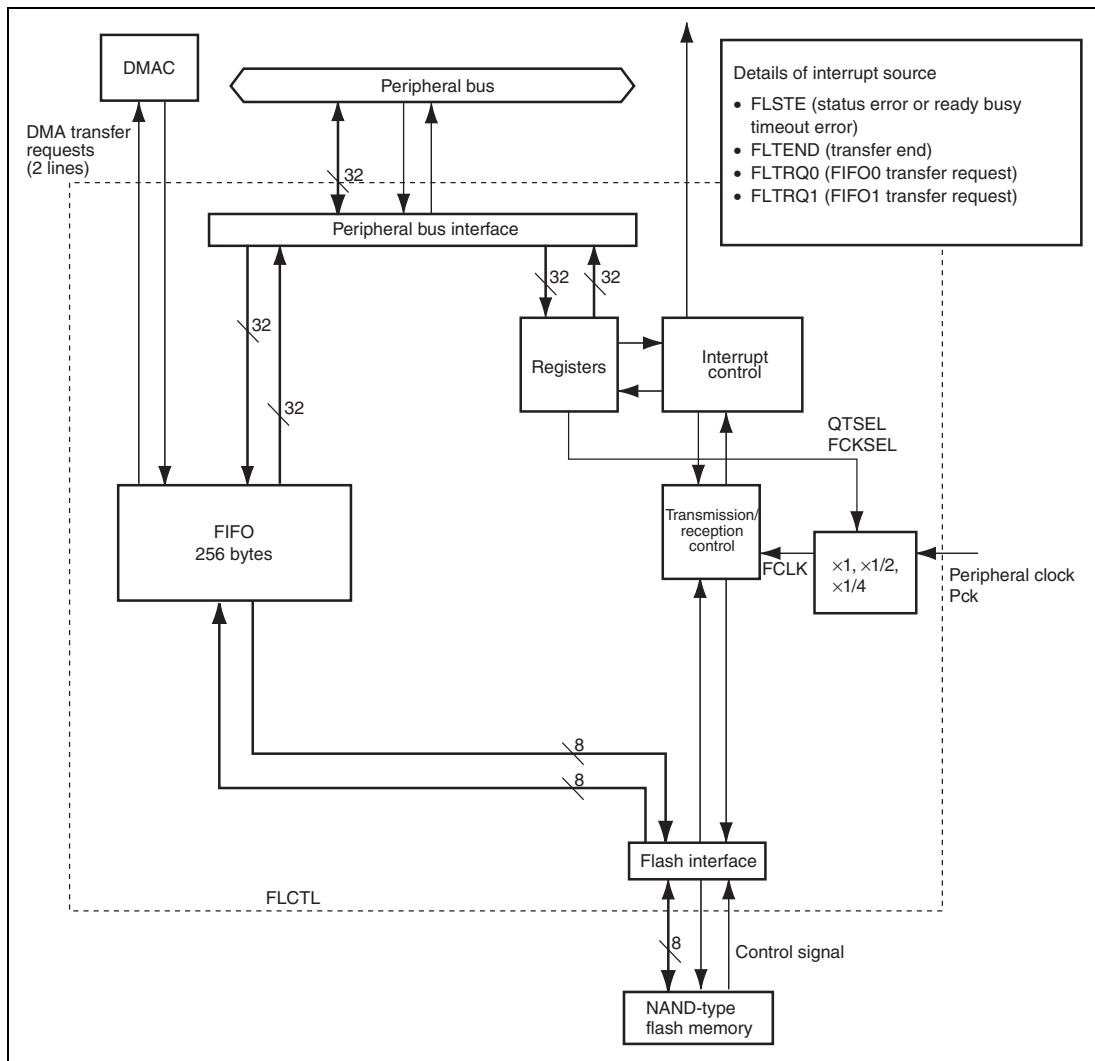


Figure 27.1 Block Diagram of FLCTL

27.2 Input/Output Pins

Table 27.1 shows the pin configuration of the FLCTL.

Table 27.1 Pin Configuration

Pin Name	Function	I/O	Corresponding Flash Memory Pin	Description
			NAND Type	
$\overline{\text{FCE}}$	Chip enable	Output	$\overline{\text{CE}}$	Enables flash memory connected to this LSI. Multiplexed with $\overline{\text{SCIF0_CTS/INTD}}$.
FD7 to FD0	Data I/O	I/O	I/O7 to I/O0	I/O pins for command, address, and data. Multiplexed with MODE3/IRL7 , MODE2/IRL6 , MODE1/IRL5 , MODE0/IRL4 , MODE11/SCIF4_SCK , MODE10/SCIF4_RXD , MODE9/SCIF4_TXD , and MODE8/SCIF3_SCK .
FCLE	Command latch enable	Output	CLE	Command Latch Enable (CLE) Asserted when a command is output. Multiplexed with MODE4/SCIF3_TXD .
FALE	Address latch enable	Output	ALE	Address Latch Enable (ALE) Asserted when an address is output. Negated when data is input or output. Multiplexed with MODE7/SCIF3_RXD .
FRE	Read enable	Output	$\overline{\text{RE}}$	Read Enable ($\overline{\text{RE}}$) Reads data at the falling edge of $\overline{\text{RE}}$. Multiplexed with $\text{SCIF0_SCK/HSPI_CLK}$.
$\overline{\text{FWE}}$	Write enable	Output	$\overline{\text{WE}}$	Write Enable Flash memory latches a command, address, and data at the rising edge of $\overline{\text{WE}}$. Multiplexed with $\text{SCIF0_TXD/HSPI_TX/MODE8}$.

Pin Name	Function	I/O	Corresponding Flash Memory Pin	Description
			NAND Type	
$\overline{FR}/\overline{B}$	Ready/busy	Input	$\overline{R}/\overline{B}$	Ready/Busy Indicates ready state at high level. Indicates busy state at low level. Multiplexed with $\overline{SCIF0_RXD}/\overline{HSPI_RX}$.
—*	—	—	\overline{WP}	Write Protect/Reset Prevents accidental erasure or programming when power is turned on or off, at low level.
\overline{FSE}	Spare area enable	Output	\overline{SE}	Spare Area Enable Enables access to spare area. This pin must be fixed low in sector access mode. Multiplexed with $\overline{SCIF0_RTS}/\overline{HSPI_CS}$.

Note: * Not supported by this LSI.

27.3 Register Descriptions

Table 27.2 shows the register configuration of FLCTL. Table 27.3 shows the register states in each processing mode.

Table 27.2 Register Configuration of FLCTL

Register Name	Abbreviation	R/W	P4 Address	Area 7 Address	Access Size	Sync Clock
Common control register	FLCMNCR	R/W	H'FFE9 0000	H'1FE9 0000	32	Pck
Command control register	FLCMDCR	R/W	H'FFE9 0004	H'1FE9 0004	32	Pck
Command code register	FLCMCDR	R/W	H'FFE9 0008	H'1FE9 0008	32	Pck
Address register	FLADR	R/W	H'FFE9 000C	H'1FE9 000C	32	Pck
Data register	FLDATAR	R/W	H'FFE9 0010	H'1FE9 0010	32	Pck
Data counter register	FLDTCNTR	R/W	H'FFE9 0014	H'1FE9 0014	32	Pck
Interrupt DMA control register	FLINTDMACR	R/W	H'FFE9 0018	H'1FE9 0018	32	Pck
Ready busy timeout setting register	FLBSYTMR	R/W	H'FFE9 001C	H'1FE9 001C	32	Pck
Ready busy timeout counter	FLBSYCNT	R	H'FFE9 0020	H'1FE9 0020	32	Pck
Data FIFO register	FLDTFIFO	R/W	H'FFE9 0024	H'1FE9 0024	32	Pck
Control code FIFO register	FLECFIFO	R/W	H'FFE9 0028	H'1FE9 0028	32	Pck
Transfer control register	FLTRCR	R/W	H'FFE9 002C	H'1FE9 002C	8	Pck
Address register 2	FLADR2	R/W	H'FFE9 003C	H'1FE9 003C	32	Pck

Table 27.3 Register States in Each Processing Mode

Register Abbreviation	Power-On Reset	Manual Reset	Sleep/Deep Sleep	Module Standby
FLCMNCR	H'0000 0000	H'0000 0000	Retained	Retained
FLCMDCR	H'0000 0000	H'0000 0000	Retained	Retained
FLCMCDR	H'0000 0000	H'0000 0000	Retained	Retained
FLADR	H'0000 0000	H'0000 0000	Retained	Retained
FLDATAR	H'0000 0000	H'0000 0000	Retained	Retained
FLDTCNTR	H'0000 0000	H'0000 0000	Retained	Retained
FLINTDMACR	H'0000 0000	H'0000 0000	Retained	Retained
FLBSYTMR	H'0000 0000	H'0000 0000	Retained	Retained
FLBSYCNT	H'0000 0000	H'0000 0000	Retained	Retained
FLDTFIFO	Undefined	Undefined	Retained	Retained
FLECFIFO	Undefined	Undefined	Retained	Retained
FLTRCR	H'00	H'00	Retained	Retained
FLADR2	H'0000 0000	H'0000 0000	Retained	Retained

27.3.1 Common Control Register (FLCMNCR)

FLCMNCR is a 32-bit readable/writable register that specifies the type (NAND) of flash memory, access mode, and $\overline{\text{FCE}}$ pin output.

Bit:	31	30	29	28	27	26	25	24	23	22	21	20	19	18	17	16
	—	—	—	—	—	—	—	—	—	—	—	—	—	SNAND	QTSEL	—
Initial value:	0	0	0	0	0	0	0	0	0	0	0	0	0	0	0	0
R/W:	R	R	R	R	R	R	R	R	R	R	R	R	R	R/W	R/W	R
Bit:	15	14	13	12	11	10	9	8	7	6	5	4	3	2	1	0
	FCKSEL	—	—	—	ACM[1:0]	NAND WF	—	—	—	—	—	—	CEO	—	—	TYPE SEL
Initial value:	0	0	0	0	0	0	0	0	0	0	0	0	0	0	0	0
R/W:	R/W	R	R	R	R/W	R/W	R/W	R	R	R	R	R	R/W	R	R	R/W

Bit	Bit Name	Initial Value	R/W	Description
31 to 19	—	All 0	R	Reserved These bits are always read as 0. The write value should always be 0.
18	SNAND	0	R/W	Large Capacity NAND Flash Memory Select This bit is used to specify the NAND flash memory that a page consists of 2048 + 64 bytes. 0: Selects the flash memory that a page consists of 512 + 16 bytes 1: Selects the flash memory that a page consists of 2048 + 64 bytes
17	QTSEL	0	R/W	Quarter Flash Clock Select 0: Uses the FCLK selected by the FCKSEL bit 1: Divides the operating clock of the FLCTL (a peripheral clock) by four and uses it as the FCLK when FCKSEL = 0 Note: When FCKSEL = 1, setting this bit to 1 is prohibited.
16	—	0	R	Reserved This bit is always read as 0. The write value should always be 0.

Bit	Bit Name	Initial Value	R/W	Description
15	FCKSEL	0	R/W	Flash Clock Select 0: Divides the operating clock of the FLCTL (a peripheral clock) by two and uses it as the FCLK 1: Uses the operating clock of the FLCTL (a peripheral clock) as the FCLK
14 to 12	—	All 0	R	Reserved These bits are always read as 0. The write value should always be 0.
11, 10	ACM[1:0]	00	R/W	Access Mode Specification [1:0] Specify access mode. 00: Command access mode 01: Sector access mode 10: Setting prohibited 11: Setting prohibited
9	NANDWF	0	R/W	NAND Wait Insertion Operation 0: No wait 1: A wait cycle is inserted
8 to 4	—	All 0	R	Reserved These bits are always read as 0. The write value should always be 0.
3	CE0	0	R/W	Chip Enable 0 0: Disabled (Outputs high level to the \overline{FCE} pin) 1: Enabled (Outputs low level to the \overline{FCE} pin)
2, 1	—	All 0	R	Reserved These bits are always read as 0. The write value should always be 0.
0	TYPESSEL	0	R/W	Memory Select 0: Reserved 1: NAND-type flash memory is selected Note: Set TYPESSEL to 1 to use FLCTL.

27.3.2 Command Control Register (FLCMD CR)

FLCMD CR is a 32-bit readable/writable register that issues a command in command access mode, specifies address issue, and specifies destination of data to be input or output. In sector access mode, FLCMD CR specifies the number of sector transfers.

Bit:	31	30	29	28	27	26	25	24	23	22	21	20	19	18	17	16	
	ADR CNT2	SCTCNT[19:16]				ADRMD	CDSRC	DOSR	—	—	SELRW	DOADR	ADRCNT[1:0]	DOCMD2	DOCMD1		
Initial value:	0	0	0	0	0	0	0	0	0	0	0	0	0	0	0	0	
R/W:	R/W	R/W	R/W	R/W	R/W	R/W	R/W	R/W	R	R	R/W	R/W	R/W	R/W	R/W	R/W	
Bit:	15	14	13	12	11	10	9	8	7	6	5	4	3	2	1	0	
	SCTCNT[15:0]																
Initial value:	0	0	0	0	0	0	0	0	0	0	0	0	0	0	0	0	
R/W:	R/W	R/W	R/W	R/W	R/W	R/W	R/W	R/W	R/W	R/W	R/W	R/W	R/W	R/W	R/W	R/W	

Bit	Bit Name	Initial Value	R/W	Description
31	ADRCNT2	0	R/W	Address Issue Byte Number Specification Specifies the number of bytes issued in the address stage. 0: Issues address as many as the bytes specified in ADRCNT1 and ADRCNT0 1: Issues 5-byte address Note: Set ADRCNT1 and ADRCNT0 to 0.
30 to 27	SCTCNT [19:16]	All 0	R/W	Selector Transfer Count Specification [19:16] These bits are extended bits of bits SCTCNT[15:0]. When bits SCTCNT[19:16] and bits SCTCNT[15:0] are put together, these bits operate as a 20-bit counter of bits SCTCNT[19:0].
26	ADRMD	0	R/W	Sector Access Address Specification This bit is invalid in command access mode. This bit is valid only in sector access mode. 0: The value of the address register is handled as a physical sector number. Always use this value in sector access. 1: The value of the address register is output as the address of flash memory. Note: Clear this bit to 0 in continuous sector access.

Bit	Bit Name	Initial Value	R/W	Description
25	CDSRC	0	R/W	Data Buffer Specification Specifies the data buffer to be read from or written to in the data stage* in command access mode. 0: Specifies FLDATAR as the data buffer. 1: Specifies FLDTFIFO as the data buffer.
24	DOSR	0	R/W	Status Read Check Specifies whether the status read is performed after the second command has been issued in command access mode. 0: Performs no status read 1: Performs status read
23, 22	—	All 0	R	Reserved These bits are always read as 0. The write value should always be 0.
21	SELRW	0	R/W	Data Read/Write Specification Specifies whether the direction is read or write in data stage. 0: Read 1: Write
20	DOADR	0	R/W	Address Stage Execution Specification Specifies whether the address stage* is executed in command access mode. 0: Performs no address stage 1: Performs address stage
19, 18	ADRCNT [1:0]	00	R/W	Address Issue Byte Count Specification Specify the number of bytes for the address data to be issued in address stage*. 00: Issue 1-byte address 01: Issue 2-byte address 10: Issue 3-byte address 11: Issue 4-byte address
17	DOCMD2	0	R/W	Second Command Stage* Execution Specification Specifies whether the second command stage* is executed in command access mode. 0: Does not execute the second command stage 1: Executes the second command stage

Bit	Bit Name	Initial Value	R/W	Description
16	DOCMD1	0	R/W	First Command Stage* Execution Specification Specifies whether the first command stage* is executed in command access mode. 0: Does not execute the first command stage 1: Executes the first command stage
15 to 0	SCTCNT [15:0]	H'0000	R/W	Sector Transfer Count Specification Specify the number of sectors to be read continuously in sector access mode. These bits are counted down for each sector transfer end, and stop when they reach 0. When accessing one sector, set SCTCNT to 1.

Note: * For command stage, address stage, and data stage, see figure 27.2.

27.3.3 Command Code Register (FLCMCDR)

FLCMCDR is a 32-bit readable/writable register that specifies a command to be issued in command access or sector access.

Bit:	31	30	29	28	27	26	25	24	23	22	21	20	19	18	17	16
	—	—	—	—	—	—	—	—	—	—	—	—	—	—	—	—
Initial value:	0	0	0	0	0	0	0	0	0	0	0	0	0	0	0	0
R/W:	R	R	R	R	R	R	R	R	R	R	R	R	R	R	R	R
Bit:	15	14	13	12	11	10	9	8	7	6	5	4	3	2	1	0
	CMD[15:8]								CMD[7:0]							
Initial value:	0	0	0	0	0	0	0	0	0	0	0	0	0	0	0	0
R/W:	R/W	R/W	R/W	R/W	R/W	R/W	R/W	R/W	R/W	R/W	R/W	R/W	R/W	R/W	R/W	R/W

Bit	Bit Name	Initial Value	R/W	Description
31 to 16	—	All 0	R	Reserved These bits are always read as 0. The write value should always be 0.
15 to 8	CMD[15:8]	H'00	R/W	Specify a command code to be issued in the second command stage.
7 to 0	CMD[7:0]	H'00	R/W	Specify a command code to be issued in the first command stage.

27.3.4 Address Register (FLADR)

FLADR is a 32-bit readable/writable register that specifies an address to be output in command access mode. In sector access mode, a physical sector number specified in the physical sector address bits is converted into an address to be output.

- Command access mode

Bit:	31	30	29	28	27	26	25	24	23	22	21	20	19	18	17	16
	ADR[31:24]								ADR[23:16]							
Initial value:	0	0	0	0	0	0	0	0	0	0	0	0	0	0	0	0
R/W:	R/W	R/W	R/W	R/W	R/W	R/W	R/W	R/W	R/W	R/W	R/W	R/W	R/W	R/W	R/W	R/W
Bit:	15	14	13	12	11	10	9	8	7	6	5	4	3	2	1	0
	ADR[15:8]								ADR[7:0]							
Initial value:	0	0	0	0	0	0	0	0	0	0	0	0	0	0	0	0
R/W:	R/W	R/W	R/W	R/W	R/W	R/W	R/W	R/W	R/W	R/W	R/W	R/W	R/W	R/W	R/W	R/W

Bit	Bit Name	Initial Value	R/W	Description
31 to 24	ADR[31:24]	H'00	R/W	Fourth Address Data Specify the fourth data to be output to flash memory as an address in command access mode.
23 to 16	ADR[23:16]	H'00	R/W	Third Address Data Specify the third data to be output to flash memory as an address in command access mode.
15 to 8	ADR[15:8]	H'00	R/W	Second Address Data Specify the second data to be output to flash memory as an address in command access mode.
7 to 0	ADR[7:0]	H'00	R/W	First Address Data Specify the first data to be output to flash memory as an address in command access mode.

- Sector access mode

Bit:	31	30	29	28	27	26	25	24	23	22	21	20	19	18	17	16	
	—	—	—	—	—	—	ADR[25:16]										
Initial value:	0	0	0	0	0	0	0										
R/W:	R	R	R	R	R	R	R/W	R/W	R/W	R/W	R/W	R/W	R/W	R/W	R/W	R/W	R/W
Bit:	15	14	13	12	11	10	9	8	7	6	5	4	3	2	1	0	
	ADR[15:0]																
Initial value:	0																
R/W:	R/W	R/W	R/W	R/W	R/W	R/W	R/W	R/W	R/W	R/W	R/W	R/W	R/W	R/W	R/W	R/W	R/W

Bit	Bit Name	Initial Value	R/W	Description
31 to 26	—	All 0	R	Reserved These bits are undefined depending on the operation mode of the FLCTL.
25 to 0	ADR[25:0]	All 0	R/W	Physical Sector Address Specify a physical sector number to be accessed in sector access mode. The physical sector number is converted into an address and is output to flash memory. When the ADRCNT2 bit in FLCMDCR is 1, ADR25 to ADR0 are valid. When the ADRCNT2 bit in FLCMDCR is 0, ADR17 to ADR0 are valid.

27.3.5 Address Register 2 (FLADR2)

FLADR2 is a 32-bit readable/writable register that is valid when the ADRCNT2 bit in FLCMDCR is 1. This register specifies the value to be output as an address in command mode.

Bit:	31	30	29	28	27	26	25	24	23	22	21	20	19	18	17	16
	—	—	—	—	—	—	—	—	—	—	—	—	—	—	—	—
Initial value:	0	0	0	0	0	0	0	0	0	0	0	0	0	0	0	0
R/W:	R	R	R	R	R	R	R	R	R	R	R	R	R	R	R	R
Bit:	15	14	13	12	11	10	9	8	7	6	5	4	3	2	1	0
	—	—	—	—	—	—	—	—	ADR[7:0]							
Initial value:	0	0	0	0	0	0	0	0	0	0	0	0	0	0	0	0
R/W:	R	R	R	R	R	R	R	R	R/W	R/W	R/W	R/W	R/W	R/W	R/W	R/W

Bit	Bit Name	Initial Value	R/W	Description
31 to 8	—	All 0	R	Reserved These bits are always read as 0. The write value should always be 0.
7 to 0	ADR[7:0]	All 0	R/W	Fifth Address Data Specify the fifth data to be output to flash memory as an address in command access mode.

27.3.6 Data Counter Register (FLDTCNTR)

FLDTCNTR is a 32-bit readable/writable register that specifies the number of bytes to be read or written in command access mode.

Bit:	31	30	29	28	27	26	25	24	23	22	21	20	19	18	17	16
	ECFLW[7:0]								DTFLW[7:0]							
Initial value:	0	0	0	0	0	0	0	0	0	0	0	0	0	0	0	0
R/W:	R	R	R	R	R	R	R	R	R	R	R	R	R	R	R	R
Bit:	15	14	13	12	11	10	9	8	7	6	5	4	3	2	1	0
	—	—	—	—	DTCNT[11:0]											
Initial value:	0	0	0	0	0	0	0	0	0	0	0	0	0	0	0	0
R/W:	R	R	R	R	R/W	R/W	R/W	R/W	R/W	R/W	R/W	R/W	R/W	R/W	R/W	R/W

Bit	Bit Name	Initial Value	R/W	Description
31 to 24	ECFLW[7:0]	H'00	R	<p>FLECFIFO Access Count</p> <p>Specify the number of longwords (4 bytes) in FLECFIFO to be read or written. These bit can be used when the CPU reads from or writes to FLECFIFO.</p> <p>In reading from FLECFIFO, these bits specify the number of longwords of the data that can be read from FLECFIFO.</p> <p>In writing to FLECFIFO, these bits specify the number of longwords of empty area that can be written to FLECFIFO.</p>
23 to 16	DTFLW[7:0]	H'00	R	<p>FLDTFIFO Access Count</p> <p>Specify the number of longwords (4 bytes) in FLDTFIFO to be read or written. These bit values are used when the CPU reads from or writes to FLDTFIFO.</p> <p>In reading from FLDTFIFO, these bits specify the number of longwords of the data that can be read from FLDTFIFO.</p> <p>In writing to FLDTFIFO, these bits specify the number of longwords of empty area that can be written in FLDTFIFO.</p>
15 to 12	—	All 0	R	<p>Reserved</p> <p>These bits are always read as 0. The write value should always be 0.</p>
11 to 0	DTCNT[11:0]	H'000	R/W	<p>Data Count Specification</p> <p>Specify the number of bytes of data to be read or written in command access mode (Up to 2048 + 64 bytes can be specified.)</p>

27.3.7 Data Register (FLDATAR)

FLDATAR is a 32-bit readable/writable register. It stores data to be input or output used when the CDSRC bit in FLCMDCR is cleared to 0 in command access mode.

Bit:	31	30	29	28	27	26	25	24	23	22	21	20	19	18	17	16
	DT[31:24]								DT[23:16]							
Initial value:	0	0	0	0	0	0	0	0	0	0	0	0	0	0	0	0
R/W:	R/W	R/W	R/W	R/W	R/W	R/W	R/W	R/W	R/W	R/W	R/W	R/W	R/W	R/W	R/W	R/W
Bit:	15	14	13	12	11	10	9	8	7	6	5	4	3	2	1	0
	DT[15:8]								DT[7:0]							
Initial value:	0	0	0	0	0	0	0	0	0	0	0	0	0	0	0	0
R/W:	R/W	R/W	R/W	R/W	R/W	R/W	R/W	R/W	R/W	R/W	R/W	R/W	R/W	R/W	R/W	R/W

Bit	Bit Name	Initial Value	R/W	Description
31 to 24	DT[31:24]	H'00	R/W	Fourth Data Specify the 4th data to be input or output via the FD7 to FD0 pins. In writing: Specify write data In reading: Store read data
23 to 16	DT[23:16]	H'00	R/W	Third Data Specify the 3rd data to be input or output via the FD7 to FD0 pins. In writing: Specify write data In reading: Store read data
15 to 8	DT[15:8]	H'00	R/W	Second Data Specify the 2nd data to be input or output via the FD7 to FD0 pins. In writing: Specify write data In reading: Store read data
7 to 0	DT[7:0]	H'00	R/W	First Data Specify the 1st data to be input or output via the FD7 to FD0 pins. In writing: Specify write data In reading: Store read data

27.3.8 Interrupt DMA Control Register (FLINTDMACR)

FLINTDMACR is a 32-bit readable/writable register that enables or disables DMA transfer requests or interrupts. A transfer request from the FLCTL to the DMAC is issued after each access mode has started.

Bit:	31	30	29	28	27	26	25	24	23	22	21	20	19	18	17	16
	—	—	—	—	—	—	—	—	—	—	FIFOTRG[1:0]		AC1 CLR	AC0 CLR	DREQ1 EN	DREQ0 EN
Initial value:	0	0	0	0	0	0	0	0	0	0	0	0	0	0	0	0
R/W:	R	R	R	R	R	R	R	R	R	R	R/W	R/W	R/W	R/W	R/W	R/W
Bit:	15	14	13	12	11	10	9	8	7	6	5	4	3	2	1	0
	—	—	—	—	—	—	—	STE RB	BTO ERB	TRR EQF1	TRR EQF0	STER INTE	RBER INTE	TE INTE	TR INTE1	TR INTE0
Initial value:	0	0	0	0	0	0	0	0	0	0	0	0	0	0	0	0
R/W:	R	R	R	R	R	R	R	R/W	R/W	R/W	R/W	R/W	R/W	R/W	R/W	R/W

Bit	Bit Name	Initial Value	R/W	Description
31 to 22	—	All 0	R	Reserved These bits are always read as 0. The write value should always be 0.
21, 20	FIFOTRG [1:0]	00	R/W	FIFO Trigger Setting Change the condition for the FIFO transfer request. (1) In reading flash memory 00: Issue an interrupt to the CPU or a DMA transfer request when 4-byte data is written to FLDTFIFO 01: Issue an interrupt to the CPU or a DMA transfer request when 16-byte data is written to FLDTFIFO 10: Issue an interrupt to the CPU or a DMA transfer request when 128-byte data is written to FLDTFIFO 11: Issue an interrupt to the CPU when FLDTFIFO stores 128 bytes of data, or issue a DMA transfer request when FLDTFIFO stores 16 bytes of data (2) In writing flash memory 00: Issue an interrupt to the CPU when FLDTFIFO has 4 bytes or more of empty area (do not set DMA transfer) 01: Issue an interrupt or a DMA transfer request to the CPU when FLDTFIFO has 16 bytes or more of empty area 10: Issue an interrupt to the CPU when FLDTFIFO has 128 bytes or more of empty area (do not set DMA transfer) 11: Issue an interrupt to the CPU when FLDTFIFO has 128 bytes or more of empty area, or issue a DMA transfer request to the CPU when FLDTFIFO has empty area of 16 bytes or more
19	AC1CLR	0	R/W	FLECFIFO Clear Clears the address counter of FLECFIFO. 0: Retains the address counter value of FLECFIFO. In flash-memory access, clear this bit to 0. 1: Clears the address counter of FLECFIFO. After clearing the counter, clear this bit to 0.

Bit	Bit Name	Initial Value	R/W	Description
18	AC0CLR	0	R/W	<p>FLDTFIFO Clear</p> <p>Clears the address counter of FLDTFIFO.</p> <p>0: Retains the address counter value of FLDTFIFO. In flash-memory access, clear this bit to 0.</p> <p>1: Clears the address counter of FLDTFIFO. After clearing the counter, clear this bit to 0</p>
17	DREQ1EN	0	R/W	<p>FLECFIFODMA Request Enable</p> <p>Enables or disables the DMA transfer request issued from FLECFIFO.</p> <p>0: Disables the issue of DMA transfer request from FLECFIFO</p> <p>1: Enables the issue of DMA transfer request from FLECFIFO</p>
16	DREQ0EN	0	R/W	<p>FLDTFIFODMA Request Enable</p> <p>Enables or disables the DMA transfer request issued from FLDTFIFO.</p> <p>0: Disables the issue of DMA transfer request from FLDTFIFO</p> <p>1: Enables the issue of DMA transfer request from FLDTFIFO</p>
15 to 9	—	All 0	R	<p>Reserved</p> <p>These bits are always read as 0. The write value should always be 0.</p>
8	STERB	0	R/W	<p>Status Error</p> <p>Indicates the result of status read. This bit is set to 1 if the specific bit in bits STAT7 to STAT0 in FLBSYCNT is set to 1 in status read.</p> <p>Since this bit is a flag bit, 1 cannot be written to this bit. Only 0 can be written to clear the flag.</p> <p>0: Indicates that no status error occurs (the specific bit in bits STAT7 to STAT0 in FLBSYCNT is 0.)</p> <p>1: Indicates that a status error occurs</p> <p>For details on the specific bit, see section 27.4.4, Status Read.</p>

Bit	Bit Name	Initial Value	R/W	Description
7	BTOERB	0	R/W	<p>Timeout Error</p> <p>This bit is set to 1 if a timeout error occurs (bits RBTIMCNT20 to RBTIMCNT0 in FLBSYCNT are set to 0 after they are decremented).</p> <p>Since this bit is a flag bit, 1 cannot be written to this bit. Only 0 can be written to clear the flag.</p> <p>0: Indicates that no timeout error occurs 1: Indicates that a timeout error occurs</p>
6	TRREQF1	0	R/W	<p>FLECFIFO Transfer Request Flag</p> <p>Indicates that a transfer request is issued from FLECFIFO.</p> <p>Since this bit is a flag bit, 1 cannot be written to this bit. Only 0 can be written to clear the flag.</p> <p>0: Indicates that no transfer request is issued from FLECFIFO 1: Indicates that a transfer request is issued from FLECFIFO</p>
5	TRREQF0	0	R/W	<p>FLDTFIFO Transfer Request Flag</p> <p>Indicates that a transfer request is issued from FLDTFIFO.</p> <p>Since this bit is a flag bit, 1 cannot be written to this bit. Only 0 can be written to clear the flag.</p> <p>0: Indicates that no transfer request is issued from FLDTFIFO 1: Indicates that a transfer request is issued from FLDTFIFO</p>
4	STERINTE	0	R/W	<p>Interrupt Enable at Status Error</p> <p>Enables or disables an interrupt request to the CPU when a status error has occurred.</p> <p>0: Disables the interrupt request to the CPU by a status error 1: Enables the interrupt request to the CPU by a status error</p>

Bit	Bit Name	Initial Value	R/W	Description
3	BTOINTE	0	R/W	<p>Interrupt Enable at Timeout Error</p> <p>Enables or disables an interrupt request to the CPU when a timeout error has occurred.</p> <p>0: Disables the interrupt request to the CPU by a timeout error</p> <p>1: Enables the interrupt request to the CPU by a timeout error</p>
2	TEINTE	0	R/W	<p>Transfer End Interrupt Enable</p> <p>Enables or disables an interrupt request to the CPU when a transfer has been ended (TREND bit in FLTRCR).</p> <p>0: Disables an interrupt to the CPU at the end of a transfer</p> <p>1: Enables an interrupt to the CPU at the end of a transfer</p>
1	TRINTE1	0	R/W	<p>FLECFIFO Transfer Request Enable to CPU</p> <p>Enables or disables an interrupt request to the CPU by a transfer request from FLECFIFO.</p> <p>0: Disables an interrupt request to the CPU by a transfer request from FLECFIFO.</p> <p>1: Enables an interrupt request to the CPU by a transfer request from FLECFIFO.</p> <p>When the DMA transfer is enabled, this bit should be cleared to 0.</p>
0	TRINTE0	0	R/W	<p>FLDTFIFO Transfer Request Enable to CPU</p> <p>Enables or disables an interrupt request to the CPU by a transfer request from FLDTFIFO.</p> <p>0: Disables an interrupt request to the CPU by a transfer request from FLDTFIFO</p> <p>1: Enables an interrupt request to the CPU by a transfer request from FLDTFIFO</p> <p>When the DMA transfer is enabled, this bit should be cleared to 0.</p>

27.3.9 Ready Busy Timeout Setting Register (FLBSYTMR)

FLBSYTMR is a 32-bit readable/writable register that specifies the timeout time when the FRB pin is busy.

Bit:	31	30	29	28	27	26	25	24	23	22	21	20	19	18	17	16
	—	—	—	—	—	—	—	—	—	—	—	RBTMOUT[20:16]				
Initial value:	0	0	0	0	0	0	0	0	0	0	0	0	0	0	0	0
R/W:	R	R	R	R	R	R	R	R	R	R	R	R/W	R/W	R/W	R/W	R/W
Bit:	15	14	13	12	11	10	9	8	7	6	5	4	3	2	1	0
	RBTMOUT[15:0]															
Initial value:	0	0	0	0	0	0	0	0	0	0	0	0	0	0	0	0
R/W:	R/W	R/W	R/W	R/W	R/W	R/W	R/W	R/W	R/W	R/W	R/W	R/W	R/W	R/W	R/W	R/W

Bit	Bit Name	Initial Value	R/W	Description
31 to 21	—	All 0	R	Reserved These bits are always read as 0. The write value should always be 0.
20 to 0	RBTMOUT[20:0]	H'00000	R/W	Ready Busy Timeout Specify timeout time in the busy state Set the timeout time in the busy state (with the clock cycles of a peripheral clock) When these bits are set to 0, timeout does not occur.

27.3.10 Ready Busy Timeout Counter (FLBSYCNT)

FLBSYCNT is a 32-bit read-only register.

The status of flash memory read by the status read is stored in the bits STAT7 to STAT0.

The timeout time set in bits RBTMOUT20 to RBTMOUT0 in FLBSYTMR is copied to bits RBTIMCNT20 to RBTIMCNT0 and counting down is started when the FRB pin enters the busy state. When values in bits RBTIMCNT20 to RBTIMCNT0 are decremented to 0, 1 the BTOERB bit in FLINTDMACR is set to 1, and the occurrence of a timeout error is notified. In this case, an FLSTE interrupt can be issued if an interrupt is enabled by the RBERINTE bit in FLINTDMACR.

Bit:	31	30	29	28	27	26	25	24	23	22	21	20	19	18	17	16	
	STAT[7:0]								—	—	—	RBTIMCNT[20:16]					
Initial value:	0	0	0	0	0	0	0	0	0	0	0	0	0	0	0	0	
R/W:	R	R	R	R	R	R	R	R	R	R	R	R	R	R	R	R	
Bit:	15	14	13	12	11	10	9	8	7	6	5	4	3	2	1	0	
	RBTIMCNT[15:0]																
Initial value:	0	0	0	0	0	0	0	0	0	0	0	0	0	0	0	0	
R/W:	R	R	R	R	R	R	R	R	R	R	R	R	R	R	R	R	

Bit	Bit Name	Initial Value	R/W	Description
31 to 24	STAT[7:0]	H'00	R	Indicate the value obtained by the status read from flash memory
23 to 21	—	All 0	R	Reserved These bits are always read as 0.
20 to 0	RBTIMCNT[20:0]	H'00000	R	Ready Busy Timeout Counter When the FRB pin enters the busy state, the values of bits RBTMOUT20 to RBTMOUT0 in FLBSYTMR are copied to these bits. These bits are counted down while the FRB pin is busy. A timeout error occurs when these bits are decremented to 0.

27.3.11 Data FIFO Register (FLDTFIFO)

FLDTFIFO is used to read from or write to the data FIFO area.

The read and write directions specified by the SELRW bit in FLCMDCR must match the read or write access directions specified in this register.

Bit:	31	30	29	28	27	26	25	24	23	22	21	20	19	18	17	16
	DTFO[31:24]								DTFO[23:16]							
Initial value:	—	—	—	—	—	—	—	—	—	—	—	—	—	—	—	—
R/W:	R/W	R/W	R/W	R/W	R/W	R/W	R/W	R/W	R/W	R/W	R/W	R/W	R/W	R/W	R/W	R/W
Bit:	15	14	13	12	11	10	9	8	7	6	5	4	3	2	1	0
	DTFO[15:8]								DTFO[7:0]							
Initial value:	—	—	—	—	—	—	—	—	—	—	—	—	—	—	—	—
R/W:	R/W	R/W	R/W	R/W	R/W	R/W	R/W	R/W	R/W	R/W	R/W	R/W	R/W	R/W	R/W	R/W

Bit	Bit Name	Initial Value	R/W	Description
31 to 24	DTFO[31:24]	—	R/W	First Data Specify the first data to be input or output via the FD7 to FD0 pins. In writing: Specify write data In reading: Store read data
23 to 16	DTFO[23:16]	—	R/W	Second Data Specify the second data to be input or output via the FD7 to FD0 pins. In writing: Specify write data In reading: Store read data
15 to 8	DTFO[15:8]	—	R/W	Third Data Specify the third data to be input or output via the FD7 to FD0 pins. In writing: Specify write data In reading: Store read data
7 to 0	DTFO[7:0]	—	R/W	Fourth Data Specify the fourth data to be input or output via the FD7 to FD0 pins. In writing: Specify write data In reading: Store read data

27.3.12 Control Code FIFO Register (FLECFIFO)

FLECFIFO is used to read from or write to the control code FIFO area.

The read and write directions specified by the SELRW bit in FLCMDCR must match the read and write access directions specified in this register.

Bit:	31	30	29	28	27	26	25	24	23	22	21	20	19	18	17	16
	ECFO[31:24]								ECFO[23:16]							
Initial value:	—	—	—	—	—	—	—	—	—	—	—	—	—	—	—	—
R/W:	R/W	R/W	R/W	R/W	R/W	R/W	R/W	R/W	R/W	R/W	R/W	R/W	R/W	R/W	R/W	R/W
Bit:	15	14	13	12	11	10	9	8	7	6	5	4	3	2	1	0
	ECFO[15:8]								ECFO[7:0]							
Initial value:	—	—	—	—	—	—	—	—	—	—	—	—	—	—	—	—
R/W:	R/W	R/W	R/W	R/W	R/W	R/W	R/W	R/W	R/W	R/W	R/W	R/W	R/W	R/W	R/W	R/W

Bit	Bit Name	Initial Value	R/W	Description
31 to 24	ECFO[31:24]	Undefined	R/W	First Data Specify the first data to be input or output via the FD7 to FD0 pins. In writing: Specify write data In reading: Store read data
23 to 16	ECFO[23:16]	Undefined	R/W	Second Data Specify the second data to be input or output via the FD7 to FD0 pins. In writing: Specify write data In reading: Store read data
15 to 8	ECFO[15:8]	Undefined	R/W	Third Data Specify the third data to be input or output via the FD7 to FD0 pins. In writing: Specify write data In reading: Store read data
7 to 0	ECFO[7:0]	Undefined	R/W	Fourth Data Specify the fourth data to be input or output via the FD7 to FD0 pins. In writing: Specify write data In reading: Store read data

27.3.13 Transfer Control Register (FLTRCR)

Setting the TRSTRT bit to 1 starts access to flash memory. The completion of the access can be checked by the TREND bit.

Bit:	7	6	5	4	3	2	1	0
	—	—	—	—	—	—	TREND	TRSTRT
Initial value:	0	0	0	0	0	0	0	0
R/W:	R	R	R	R	R	R	R/W	R/W

Bit	Bit Name	Initial Value	R/W	Description
7 to 2	—	All 0	R	Reserved These bits are always read as 0. The write value should always be 0.
1	TREND	0	R/W	Processing End Flag Indicates that the processing performed in the specified access mode has been completed. The write value should always be 0.
0	TRSTRT	0	R/W	Transfer Start When the TREND bit is 0, processing in the access mode specified by the access mode specification bits ACM[1:0] is started by setting the TRSTRT bit from 0 to 1. 0: Stops transfer 1: Starts transfer

27.4 Operation

27.4.1 Operating Modes

Two operating modes are supported.

- Command access mode
- Sector access mode

27.4.2 Command Access Mode

Command access mode is a mode that accesses flash memory by specifying a command to be issued to flash memory, address, data, read or write direction, and number of times for the registers. In this mode, DMA transfer of input or output data can be performed by using FLDTFIFO.

(1) NAND-Type Flash Memory Access (512 + 16 Bytes)

Figure 27.2 shows an example of reading operation for NAND-type flash memory. In this example, the first command is set to H'00, address data length is set to 3 bytes, and the number of read bytes is set to 6 bytes in the data counter.

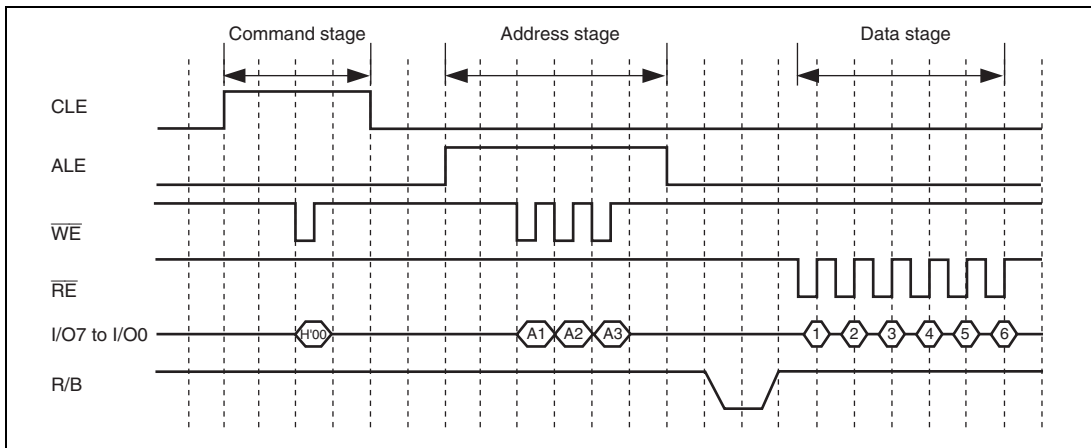


Figure 27.2 Reading Operation Timing for NAND-Type Flash Memory

Figures 27.3 and 27.4 show examples of writing operation for NAND-type flash memory (512 + 16 bytes).

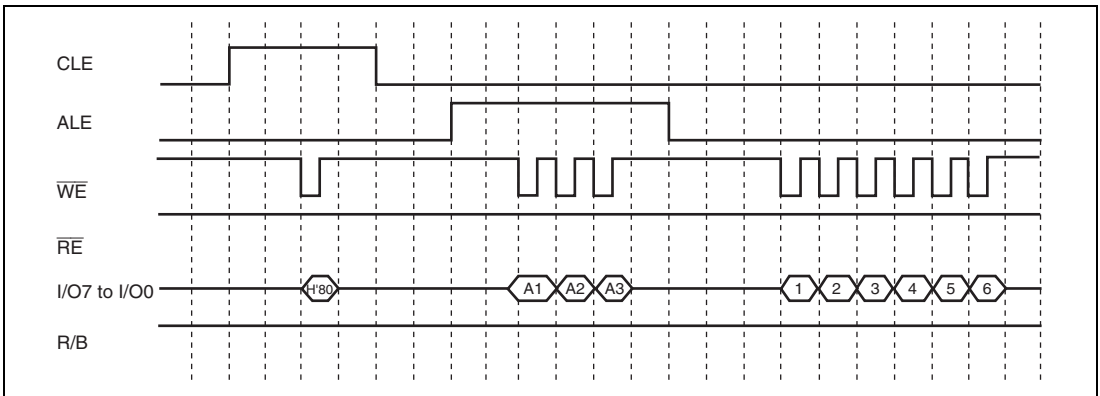


Figure 27.3 Writing Operation Timing for NAND-Type Flash Memory

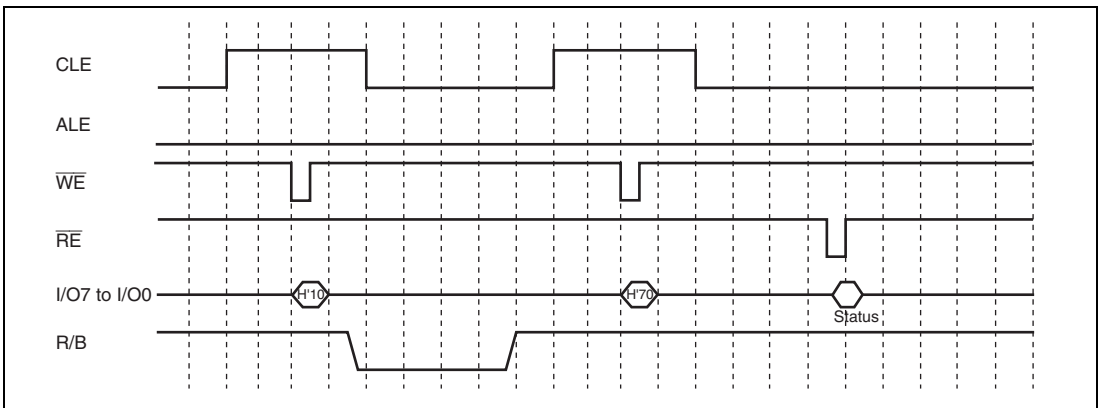


Figure 27.4 Status Read Operation Timing for NAND-Type Flash Memory

(2) NAND-Type Flash Memory Access (2048 + 64 Bytes)

Figure 27.5 shows an example of reading operation for NAND-type flash memory. In this example, the first command is set to H'00, the second command is set to H'30, address data length is set to 4 bytes, and the number of read bytes is set to 4 bytes in the data counter.

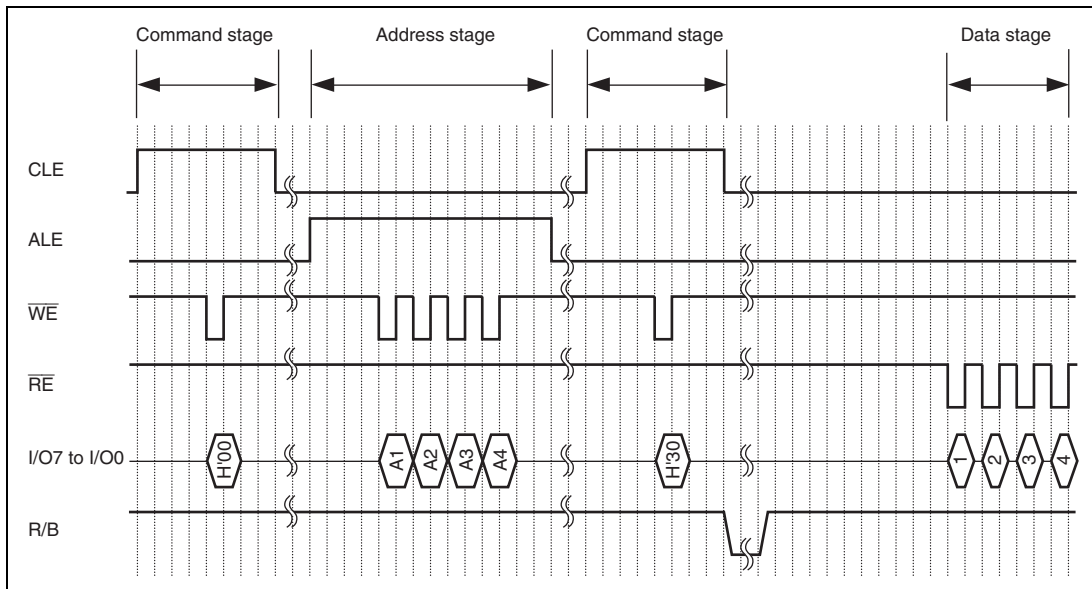


Figure 27.5 Reading Operation Timing for NAND-Type Flash Memory

Figures 27.6 and 27.7 show examples of writing operation for NAND-type flash memory (2048 + 64 bytes).

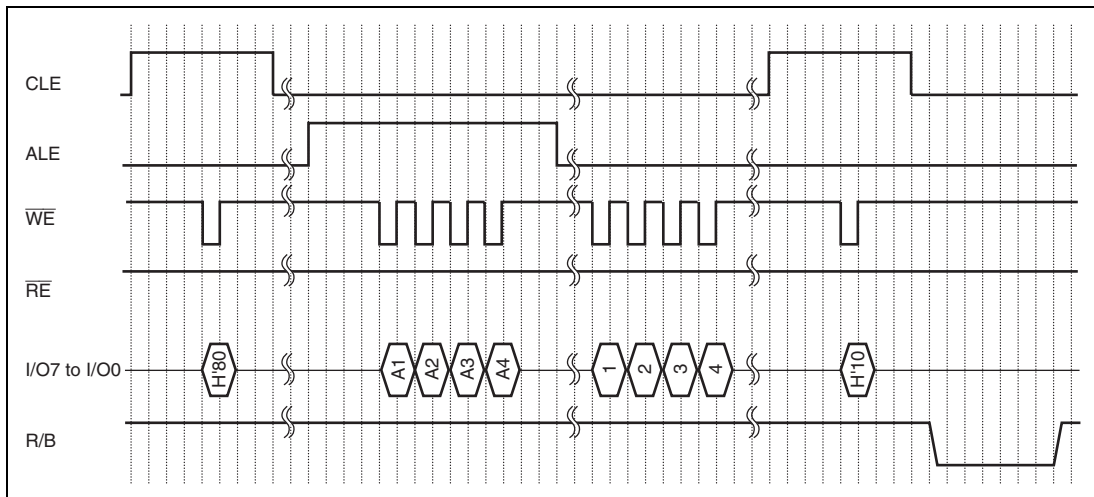


Figure 27.6 Writing Operation Timing for NAND-Type Flash Memory

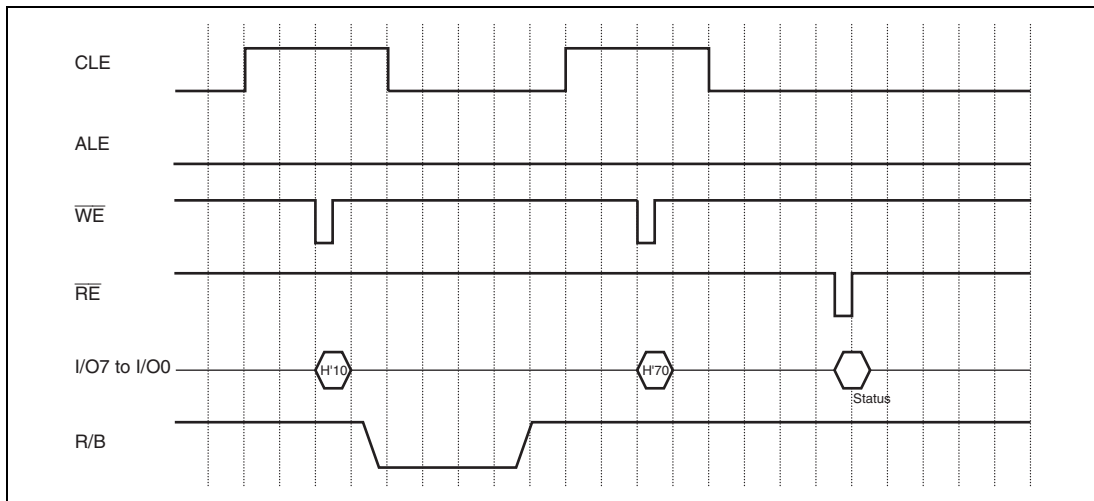


Figure 27.7 Status Read Operation Timing for NAND-Type Flash Memory

27.4.3 Sector Access Mode

In sector access mode, flash memory can be read from or written to in sector units by specifying the number of physical sectors to be accessed.

Since 512-byte data is stored in FLDTFIFO and 16-byte control code is stored in FLECFIFO, DMA transfer can be performed by setting the DREQ1EN and DREQ0EN bits in FLINTDMACR.

Figure 27.8 shows the relationship of DMA transfer between sectors in flash memory (data and control code) and memory in the address space.

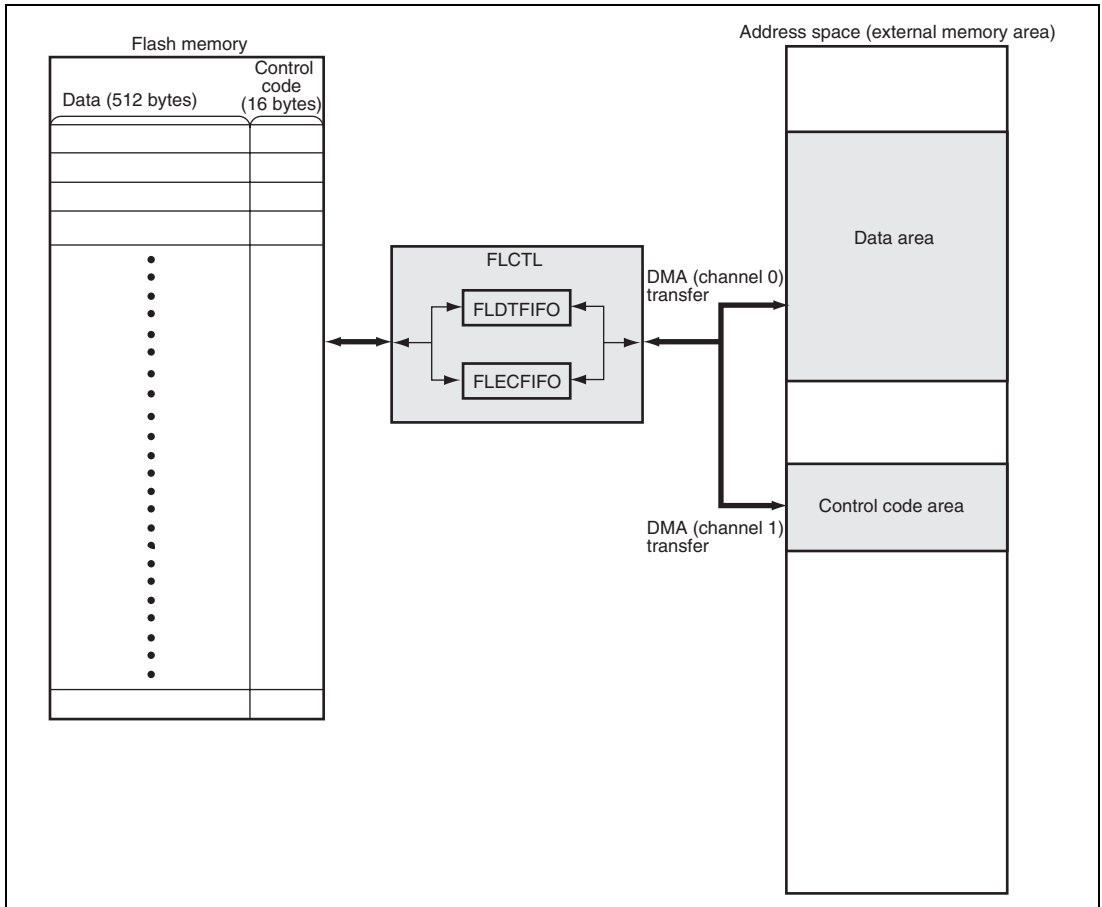


Figure 27.8 Diagram of DMA Transfer between Sector (Data and Control Code) in Flash Memory and Memory in Address Space

(1) Physical Sector

Figure 27.9 shows the relationship between the physical sector address and flash memory address of NAND-type flash memory.

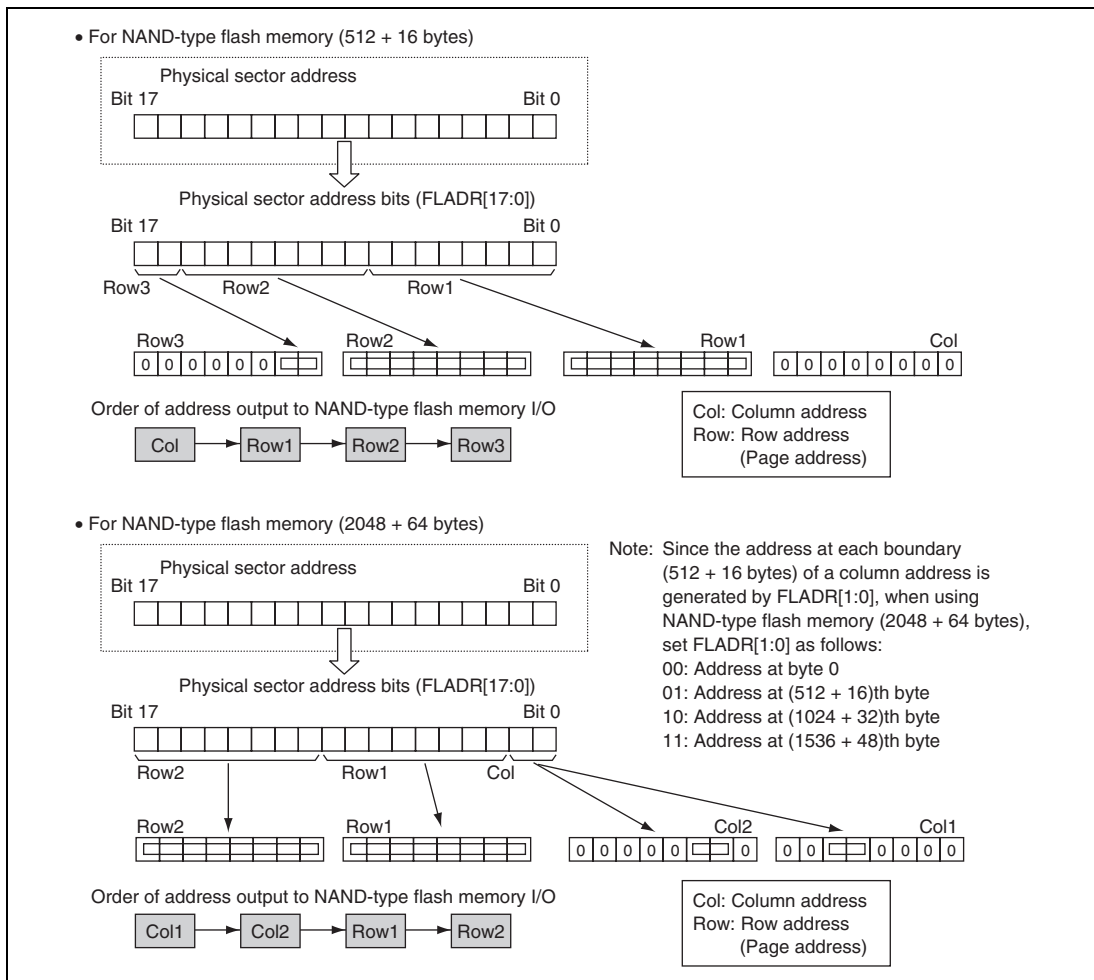


Figure 27.9 Example of Sector Number and NAND-Type Flash Memory Address Expansion

(2) Continuous Sector Access

Continuous physical sectors can be read from or written to by specifying the start physical sector address of NAND-type flash memory and the number of sectors to be transferred. Figure 27.10 shows an example of physical sector specification register and transfer count specification register settings when transferring logical sectors 0 to 40, which are not contiguous because of an unusable sector in NAND-type flash memory.

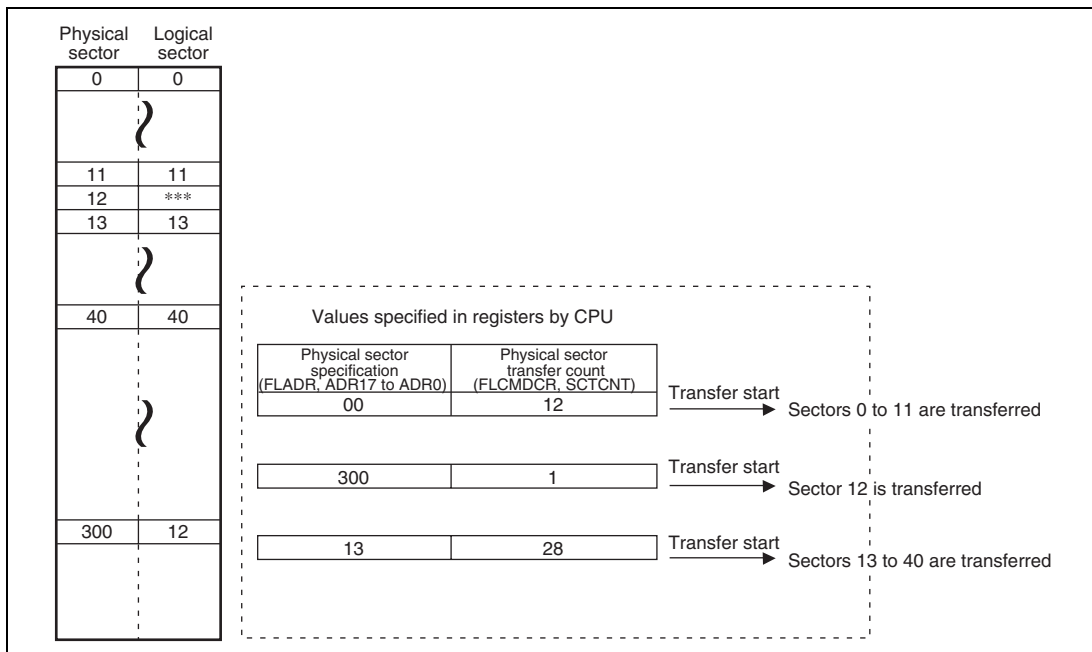


Figure 27.10 Sector Access when Unusable Sector Is in Continuous Sectors

27.4.4 Status Read

The FLCTL can read the status register of a NAND-type flash memory. The data in the status register of a NAND-type flash memory is input through the I/O7 to I/O0 pins and stored in the bits STAT7 to STAT0 in FLBSYCNT. The bits STAT7 to STAT0 in FLBSYCNT can be read by the CPU. If a program error or erase error is detected when the status register value is stored in the bits STAT7 to 0 in FLBSYCNT, the STERB bit in FLINTDMACR is set to 1 and generates an interrupt to the CPU if the STERINTE bit in FLINTDMACR is enabled.

(1) Status Read of NAND-Type Flash Memory (512 + 16 Bytes)

The status read of NAND-type flash memory can be performed by inputting the command H'70 to NAND-type flash memory. When the DOSR bit in FLCMDCR is set to 1 and writing is performed in command access mode or sector access mode, the FLCTL automatically inputs H'70 to NAND-type flash memory and status read is performed. During the status read of NAND-type flash memory, the I/O7 to I/O0 pins indicate the following information as shown in table 27.4.

Table 27.4 Status Read of NAND-Type Flash Memory (512 + 16 Bytes)

I/O	Status (Definition)	Description
I/O7	Write protection	0: Cannot be written 1: Can be written
I/O6	Ready/busy	0: Busy state 1: Ready state
I/O5 to I/O1	Reserved	—
I/O0	Write/erase	0: Pass 1: Fail

(2) Status Read of NAND-Type Flash Memory (2048 + 64 Bytes)

The status read of NAND-type flash memory can be performed by inputting the command H'70 to NAND-type flash memory. When the DOSR bit in FLCMDCR is set to 1 and writing is performed in command access mode or sector access mode, the FLCTL automatically inputs H'70 to NAND-type flash memory and status read is performed. During the status read of NAND-type flash memory, the I/O7 to I/O0 pins indicate the following information as shown in table 27.5.

Table 27.5 Status Read of NAND-Type Flash Memory (2048 + 64 Bytes)

I/O	Status (Definition)	Description
I/O7	Write protection	0: Cannot be written 1: Can be written
I/O6	Ready/busy	0: Busy state 1: Ready state
I/O5	Ready/busy	0: Busy state 1: Ready state
I/O4 to I/O1	Reserved	0
I/O0	Write/erase	0: Pass 1: Fail

27.5 Example of Register Setting

The examples of setting and starting registers in each access mode are shown below.

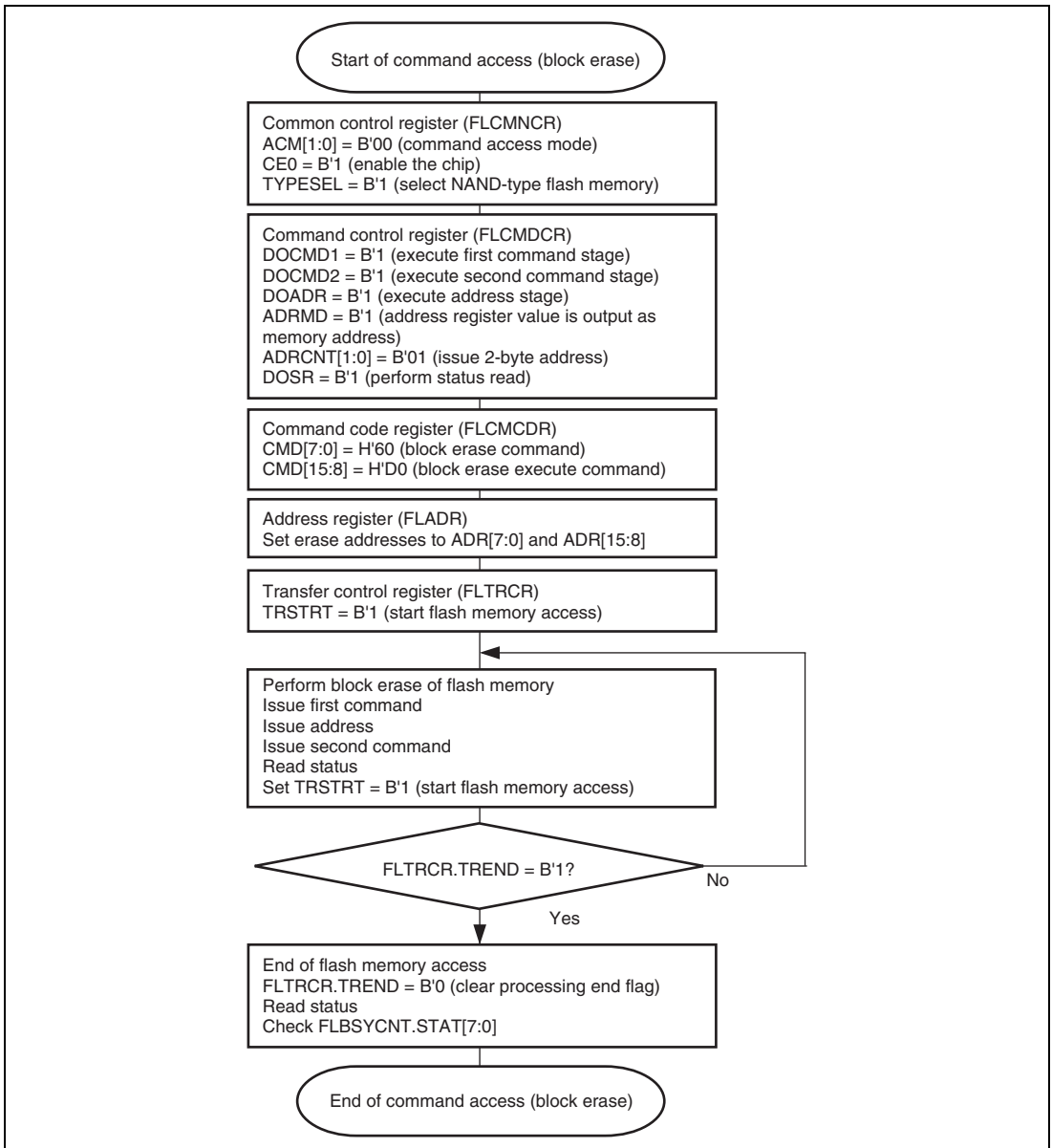


Figure 27.11 NAND Command Access (Block Erase)

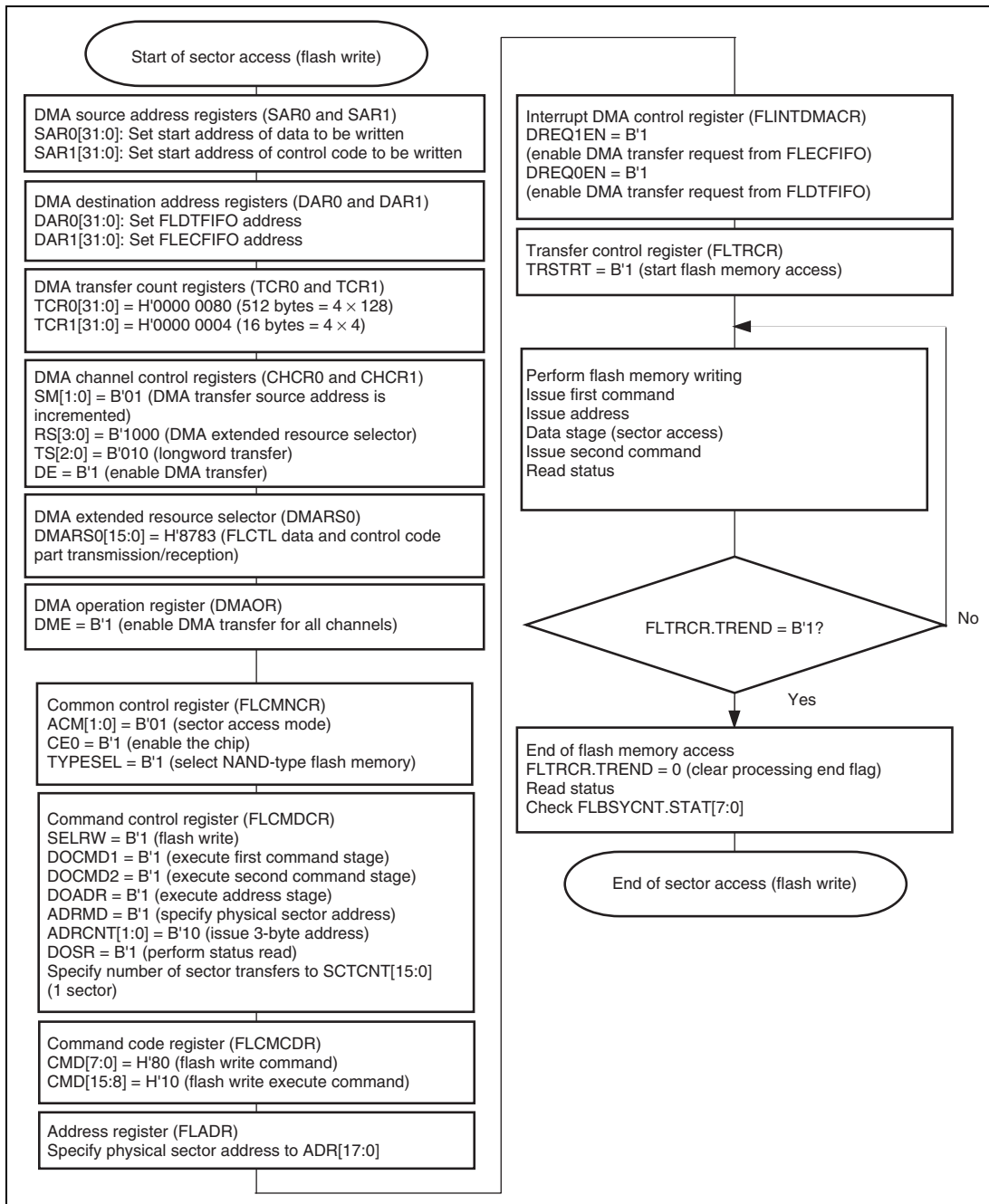


Figure 27.12 NAND Sector Access (Flash Write) Using DMAC

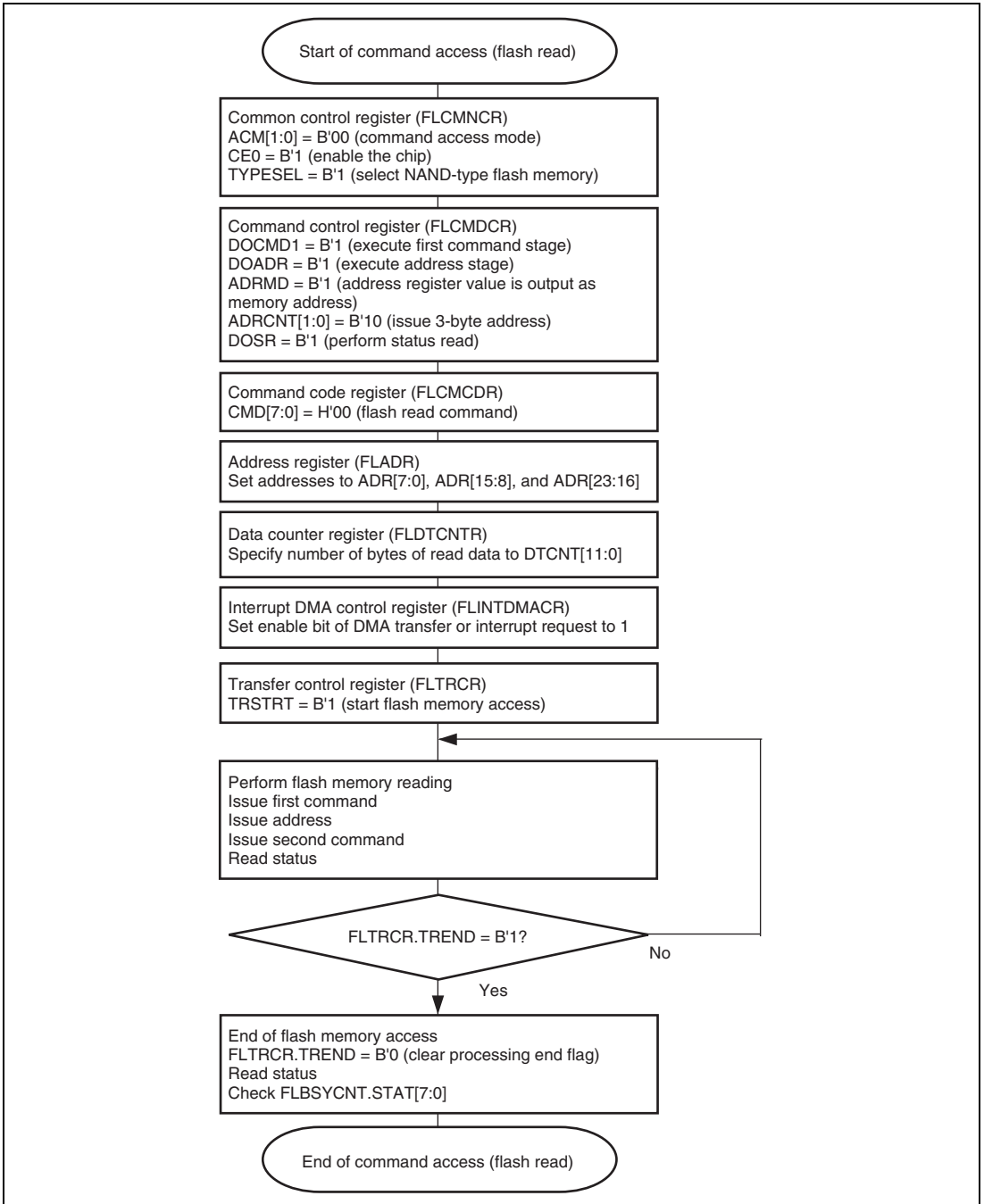


Figure 27.13 NAND Command Access (Flash Read)

27.6 Interrupt Processing

The FLCTL has four interrupt sources. Each of the interrupt sources has its corresponding interrupt flag. The interrupt request is generated independently if the interrupt is enabled by the interrupt enable bit. The status error and ready/busy timeout error use the common FLSTE interrupt.

Table 27.6 FLCTL Interrupt Requests

Interrupt Source	Interrupt Flag	Enable Bit	Description
FLSTE interrupt	STERB	STERINTE	Status error
	BTOERB	RBERINTE	Ready/busy timeout error
FLTEND interrupt	TREND	TEINTE	Transfer end
FLTRQ0 interrupt	TRREQF0	TRINTE0	FIFO0 transfer request
FLTRQ1 interrupt	TRREQF1	TRINTE1	FIFO1 transfer request

27.7 DMA Transfer Settings

The FLCTL can request DMA transfers separately to the data sector, FLDTFIFO, and control code sector, FLECFIFO. Table 27.7 shows whether DMA transfer is enabled or disabled in each access mode.

Table 27.7 DMA Transfer Settings

	Sector Access Mode	Command Access Mode
FLDTFIFO	Enabled	Enabled
FLECFIFO	Enabled	Disabled

For details on DMAC settings, see section 14, Direct Memory Access Controller (DMAC).

Section 28 General Purpose I/O Ports (GPIO)

28.1 Features

This LSI has sixteen general-purpose ports (A to H, J to N, and P to R), which provide 111 input/output pins.

The general-purpose I/O (GPIO) port pins are multiplexed with the pins of peripheral modules to select whether the pins are used by the GPIO or the peripheral modules.

The GPIO has the following features.

- Each port pin is a multiplexed pin, for which the port control register can specify the pin function and control the pull-up MOS of the pin.
- Each port has a data register that stores data for the pins.
- GPIO interrupts are supported*.

Note: * For the ports which can be used as GPIO interrupt pins, refer to table 28.1. For GPIO interrupt settings, refer to section 10, Interrupt Controller (INTC).

Table 28.1 Multiplexed Pins Controlled by Port Control Registers

Pin Name	Port	GPIO	Selectable Module	GPIO Interrupt
D63/AD31* ²	A	PA7 input/output	LBSC/PCIC	—
D62/AD30* ²	A	PA6 input/output	LBSC/PCIC	—
D61/AD29* ²	A	PA5 input/output	LBSC/PCIC	—
D60/AD28* ²	A	PA4 input/output	LBSC/PCIC	—
D59/AD27* ²	A	PA3 input/output	LBSC/PCIC	—
D58/AD26* ²	A	PA2 input/output	LBSC/PCIC	—
D57/AD25* ²	A	PA1 input/output	LBSC/PCIC	—
D56/AD24* ²	A	PA0 input/output	LBSC/PCIC	—
D55/AD23* ²	B	PB7 input/output	LBSC/PCIC	—
D54/AD22* ²	B	PB6 input/output	LBSC/PCIC	—
D53/AD21* ²	B	PB5 input/output	LBSC/PCIC	—
D52/AD20* ²	B	PB4 input/output	LBSC/PCIC	—
D51/AD19* ²	B	PB3 input/output	LBSC/PCIC	—
D50/AD18* ²	B	PB2 input/output	LBSC/PCIC	—
D49/AD17/DB5* ²	B	PB1 input/output	LBSC/PCIC/DU	—
D48/AD16/DB4* ²	B	PB0 input/output	LBSC/PCIC/DU	—
D47/AD15/DB3* ²	C	PC7 input/output	LBSC/PCIC/DU	—
D46/AD14/DB2* ²	C	PC6 input/output	LBSC/PCIC/DU	—
D45/AD13/DB1* ²	C	PC5 input/output	LBSC/PCIC/DU	—
D44/AD12/DB0* ²	C	PC4 input/output	LBSC/PCIC/DU	—
D43/AD11/DG5* ²	C	PC3 input/output	LBSC/PCIC/DU	—
D42/AD10/DG4* ²	C	PC2 input/output	LBSC/PCIC/DU	—
D41/AD9/DG3* ²	C	PC1 input/output	LBSC/PCIC/DU	—
D40/AD8/DG2* ²	C	PC0 input/output	LBSC/PCIC/DU	—
D39/AD7/DG1* ²	D	PD7 input/output	LBSC/PCIC/DU	—
D38/AD6/DG0* ²	D	PD6 input/output	LBSC/PCIC/DU	—
D37/AD5/DR5* ²	D	PD5 input/output	LBSC/PCIC/DU	—
D36/AD4/DR4* ²	D	PD4 input/output	LBSC/PCIC/DU	—
D35/AD3/DR3* ²	D	PD3 input/output	LBSC/PCIC/DU	—
D34/AD2/DR2* ²	D	PD2 input/output	LBSC/PCIC/DU	—

Pin Name	Port	GPIO	Selectable Module	GPIO Interrupt
D33/AD1/DR1* ²	D	PD1 input/output	LBSC/PCIC/DU	—
D32/AD0/DR0* ²	D	PD0 input/output	LBSC/PCIC/DU	—
REQ1	E	PE5 input/output	PCIC	Available
REQ2	E	PE4 input/output	PCIC	Available
REQ3* ¹	E	PE3 input/output	PCIC	Available
GNT1	E	PE2 input/output	PCIC	Available
GNT2	E	PE1 input/output	PCIC	Available
GNT3/MMCCLK* ¹	E	PE0 input/output	PCIC/MMCIF	Available
D31	F	PF7 input/output	LBSC	—
D30	F	PF6 input/output	LBSC	—
D29	F	PF5 input/output	LBSC	—
D28	F	PF4 input/output	LBSC	—
D27	F	PF3 input/output	LBSC	—
D26	F	PF2 input/output	LBSC	—
D25	F	PF1 input/output	LBSC	—
D24	F	PF0 input/output	LBSC	—
D23	G	PG7 input/output	LBSC	—
D22	G	PG6 input/output	LBSC	—
D21	G	PG5 input/output	LBSC	—
D20	G	PG4 input/output	LBSC	—
D19	G	PG3 input/output	LBSC	—
D18	G	PG2 input/output	LBSC	—
D17	G	PG1 input/output	LBSC	—
D16	G	PG0 input/output	LBSC	—
SCIF1_SCK	H	PH7 input/output	SCIF1	—
SCIF1_RXD	H	PH6 input/output	SCIF1	—
SCIF1_TXD	H	PH5 input/output	SCIF1	—
SCIF0_CTS/INTD/FCE* ¹	H	PH4 input/output	SCIF0/PCIC/FLCTL	Available
SCIF0_RTS/HSPI_CS/FSE* ¹	H	PH3 input/output	SCIF0/HSPI/FLCTL	Available
SCIF0_SCK/HSPI_CLK/FRE* ¹	H	PH2 input/output	SCIF0/HSPI/FLCTL	Available
SCIF0_RXD/HSPI_RX/FRB* ¹	H	PH1 input/output	SCIF0/HSPI/FLCTL	Available

Pin Name	Port	GPIO	Selectable Module	GPIO Interrupt
SCIF0_TXD/HSPI_TX/ \overline{FWE}^{*1}	H	PH0 input/output	SCIF0/HSPI/FLCTL	—
SCIF5_TXD/HAC1_SYNC/SSI1_WS *1	J	PJ7 input/output	SCIF5/HAC1/SSI1	—
SIOF_TXD/HAC0_SDOOUT/ SSI0_SDATA *1	J	PJ6 input/output	SCOF/HAC0/SSI0	—
SIOF_RXD/HAC0_SDIN/SSI0_SCK *1	J	PJ5 input/output	SIOF/HAC0/SSI0	—
SIOF_SYNC/HAC0_SYNC/SSI0_WS *1	J	PJ4 input/output	SIOF/HAC0/SSI0	—
SIOF_MCLK/HAC_RES *1	J	PJ3 input/output	SIOF/HAC	—
SIOF_SCK/HAC0_BITCLK/SSI0_CLK *1	J	PJ2 input/output	SIOF/HAC0/SSI0	—
HAC1_BITCLK/SSI1_CLK *1	J	PJ1 input/output	HAC1/SSI1	—
MODE13/TCLK/ $\overline{IOIS16}^{*1}$	J	PJ0 input/output	—/TMU/LBSC	—
STATUS0/ $\overline{DRAK0}^{*1}$	K	PK7 input/output	[STATUS]/DMAC	—
STATUS1/ $\overline{DRAK1}^{*1}$	K	PK6 input/output	[STATUS]/DMAC	—
$\overline{DACK2}$ /SCIF2_TXD/MMCCMD/ SIOF_TXD *1	K	PK5 input/output	DMAC/SCIF2/MMCIF/ SIOF	—
$\overline{DACK3}$ /SCIF2_SCK/MMCDAT/ SIOF_SCK *1	K	PK4 input/output	DMAC/SCIF2/MMCIF/ SIOF	—
$\overline{DREQ0}$	K	PK3 input/output	DMAC	—
$\overline{DREQ1}$	K	PK2 input/output	DMAC	—
$\overline{DACK0}$	K	PK1 input/output	DMAC	—
$\overline{DACK1}$	K	PK0 input/output	DMAC	—
$\overline{DREQ2}$ / \overline{INTB}^{*1}	L	PL7 input/output	DMAC/PCIC	Available
$\overline{DREQ3}$ / \overline{INTC}^{*1}	L	PL6 input/output	DMAC/PCIC	Available
$\overline{DRAK2}$ / $\overline{CE2A}^{*1}$	L	PL5 input/output	DMAC/LBSC	—
MODE0/ $\overline{IRL4}$ / $\overline{FD4}^{*1}$	L	PL4 input/output	—/INTC/FLCTL	—
MODE1/ $\overline{IRL5}$ / $\overline{FD5}^{*1}$	L	PL3 input/output	—/INTC/FLCTL	—
MODE2/ $\overline{IRL6}$ / $\overline{FD6}^{*1}$	L	PL2 input/output	—/INTC/FLCTL	—
MODE3/ $\overline{IRL7}$ / $\overline{FD7}^{*1}$	L	PL1 input/output	—/INTC/FLCTL	—
MODE12/ $\overline{DRAK3}$ / $\overline{CE2B}^{*1}$	L	PL0 input/output	—/DMAC/LBSC	—
\overline{BREQ} / \overline{BSACK}	M	PM1 input/output	LBSC	—
\overline{BACK} / \overline{BSREQ}	M	PM0 input/output	LBSC	—
SCIF5_RXD/HAC1_SDIN/SSI1_SCK *1	N	PN7 input/output	SCIF5/HAC1/SSI1	—

Pin Name	Port	GPIO	Selectable Module	GPIO Interrupt
SCIF5_SCK/HAC1_SDOOUT/SSI1_SDATA* ¹	N	PN6 input/output	SCIF5/HAC1/SS1	—
MODE4/SCIF3_TXD/FCLE* ¹	N	PN5 input/output	—/SCIF3/FLCTL	—
MODE7/SCIF3_RXD/FALE* ¹	N	PN4 input/output	—/SCIF3/FLCTL	—
MODE8/SCIF3_SCK/FD0* ¹	N	PN3 input/output	—/SCIF3/FLCTL	—
MODE9/SCIF4_TXD/FD1* ¹	N	PN2 input/output	—/SCIF4/FLCTL	—
MODE10/SCIF4_RXD/FD2* ¹	N	PN1 input/output	—/SCIF4/FLCTL	—
MODE11/SCIF4_SCK/FD3* ¹	N	PN0 input/output	—/SCIF4/FLCTL	—
DEVSEL/DCLKOUT* ²	P	PP5 input/output	PCIC/DU	—
STOP/CDE* ²	P	PP4 input/output	PCIC/DU	—
LOCK/ODDF* ²	P	PP3 input/output	PCIC/DU	—
TRDY/DISP* ²	P	PP2 input/output	PCIC/DU	—
IRDY/HSYNC* ²	P	PP1 input/output	PCIC/DU	—
PCIFRAME/VSYNC* ²	P	PP0 input/output	PCIC/DU	—
INTA	Q	PQ4 input/output	PCIC	—
GNT0/GNTIN	Q	PQ3 input/output	PCIC	—
REQ0/REQOUT	Q	PQ2 input/output	PCIC	—
PERR	Q	PQ1 input/output	PCIC	—
SERR	Q	PQ0 input/output	PCIC	—
WE7/CBE3* ²	R	PR3 input/output	LBSC/PCIC	—
WE6/CBE2* ²	R	PR2 input/output	LBSC/PCIC	—
WE5/CBE1* ²	R	PR1 input/output	LBSC/PCIC	—
WE4/CBE0* ²	R	PR0 input/output	LBSC/PCIC	—
PCICLK/DCLKIN* ²	—	—	PCIC/DU	—
SCIF2_RXD/SIOF_RXD* ¹	—	—	SCIF2/SIOF	—
MODE5/SIOF_MCLK* ¹	—	—	—/SIOF	—
MODE6/SIOF_SYNC* ¹	—	—	—/SIOF	—
MRESETOUT/IRQOUT* ¹	—	—	RESET/INTC	—

Notes: 1. The module that uses this pin is selected by the peripheral module select registers 1 and 2 (P1MSELR and P2MSELR).

2. The module that uses this pin is selected by the bus mode pins (MODE11 and MODE12). For the details of bus mode pin setting, refer to the Appendix.

28.2 Register Descriptions

The following registers are provided to control the GPIO ports.

Table 28.2 Register Configuration (1)

Register Name	Abbrev.	R/W	P4 Address* ¹	Area 7 Address* ¹	Access Size* ²	Sync Clock
Port A control register	PACR	R/W	H'FFE7 0000	H'1FE7 0000	16	Pck
Port B control register	PBCR	R/W	H'FFE7 0002	H'1FE7 0002	16	Pck
Port C control register	PCCR	R/W	H'FFE7 0004	H'1FE7 0004	16	Pck
Port D control register	PDCR	R/W	H'FFE7 0006	H'1FE7 0006	16	Pck
Port E control register	PECR	R/W	H'FFE7 0008	H'1FE7 0008	16	Pck
Port F control register	PFCR	R/W	H'FFE7 000A	H'1FE7 000A	16	Pck
Port G control register	PGCR	R/W	H'FFE7 000C	H'1FE7 000C	16	Pck
Port H control register	PHCR	R/W	H'FFE7 000E	H'1FE7 000E	16	Pck
Port J control register	PJCR	R/W	H'FFE7 0010	H'1FE7 0010	16	Pck
Port K control register	PKCR	R/W	H'FFE7 0012	H'1FE7 0012	16	Pck
Port L control register	PLCR	R/W	H'FFE7 0014	H'1FE7 0014	16	Pck
Port M control register	PMCR	R/W	H'FFE7 0016	H'1FE7 0016	16	Pck
Port N control register	PNCR	R/W	H'FFE7 0018	H'1FE7 0018	16	Pck
Port P control register	PPCR	R/W	H'FFE7 001A	H'1FE7 001A	16	Pck
Port Q control register	PQCR	R/W	H'FFE7 001C	H'1FE7 001C	16	Pck
Port R control register	PRCR	R/W	H'FFE7 001E	H'1FE7 001E	16	Pck
Port A data register	PADR	R/W	H'FFE7 0020	H'1FE7 0020	8	Pck
Port B data register	PBDR	R/W	H'FFE7 0022	H'1FE7 0022	8	Pck
Port C data register	PCDR	R/W	H'FFE7 0024	H'1FE7 0024	8	Pck
Port D data register	PDDR	R/W	H'FFE7 0026	H'1FE7 0026	8	Pck
Port E data register	PEDR	R/W	H'FFE7 0028	H'1FE7 0028	8	Pck
Port F data register	PFDR	R/W	H'FFE7 002A	H'1FE7 002A	8	Pck
Port G data register	PGDR	R/W	H'FFE7 002C	H'1FE7 002C	8	Pck
Port H data register	PHDR	R/W	H'FFE7 002E	H'1FE7 002E	8	Pck
Port J data register	PJDR	R/W	H'FFE7 0030	H'1FE7 0030	8	Pck

Register Name	Abbrev.	R/W	P4 Address* ¹	Area 7 Address* ¹	Access Size* ²	Sync Clock
Port K data register	PKDR	R/W	H'FFE7 0032	H'1FE7 0032	8	Pck
Port L data register	PLDR	R/W	H'FFE7 0034	H'1FEA 0034	8	Pck
Port M data register	PMDR	R/W	H'FFE7 0036	H'1FEA 0036	8	Pck
Port N data register	PNDR	R/W	H'FFE7 0038	H'1FEA 0038	8	Pck
Port P data register	PPDR	R/W	H'FFE7 003A	H'1FEA 003A	8	Pck
Port Q data register	PQDR	R/W	H'FFE7 003C	H'1FEA 003C	8	Pck
Port R data register	PRDR	R/W	H'FFE7 003E	H'1FEA 003E	8	Pck
Port E pull-up control register	PEPUPR	R/W	H'FFE7 0048	H'1FEA 0048	8	Pck
Port H pull-up control register	PHPUPR	R/W	H'FFE7 004E	H'1FEA 004E	8	Pck
Port J pull-up control register	PJPUPR	R/W	H'FFE7 0050	H'1FE7 0050	8	Pck
Port K pull-up control register	PKPUPR	R/W	H'FFE7 0052	H'1FE7 0052	8	Pck
Port L pull-up control register	PLPUPR	R/W	H'FFE7 0054	H'1FE7 0054	8	Pck
Port M pull-up control register	PMPUPR	R/W	H'FFE7 0056	H'1FE7 0056	8	Pck
Port N pull-up control register	PNPUPR	R/W	H'FFE7 0058	H'1FE7 0058	8	Pck
Input pin pull-up control register 1	PPUPR1	R/W	H'FFE7 0060	H'1FE7 0060	16	Pck
Input pin pull-up control register 2	PPUPR2	R/W	H'FFE7 0062	H'1FE7 0062	16	Pck
Peripheral module select register 1	P1MSELR	R/W	H'FFE7 0080	H'1FE7 0080	16	Pck
Peripheral module select register 2	P2MSELR	R/W	H'FFE7 0082	H'1FE7 0082	16	Pck

- Notes: 1. The P4 area address uses the P4 area of the logical address area. The area 7 address is accessed from area 7 of the physical address space using the TLB.
2. There are 8-bit and 16-bit registers. The registers must be accessed in the designate size.

Table 28.2 Register Configuration (2)

Register Name	Abbrev.	Power-on Reset by RESET Pin/WDT/ H-UDI	Manual Reset by WDT/ Multiple Exception	Sleep by SLEEP Instruction	Module Standby	Deep Sleep
Port A control register	PACR	H'0000	Retained	Retained	Retained	Retained
Port B control register	PBCR	H'0000	Retained	Retained	Retained	Retained
Port C control register	PCCR	H'0000	Retained	Retained	Retained	Retained
Port D control register	PDCR	H'0000	Retained	Retained	Retained	Retained
Port E control register	PECR	H'00C3	Retained	Retained	Retained	Retained
Port F control register	PFCR	H'0000	Retained	Retained	Retained	Retained
Port G control register	PGCR	H'0000	Retained	Retained	Retained	Retained
Port H control register	PHCR	H'FFFF	Retained	Retained	Retained	Retained
Port J control register	PJCR	H'FFFF	Retained	Retained	Retained	Retained
Port K control register	PKCR	H'0FFF	Retained	Retained	Retained	Retained
Port L control register	PLCR	H'FFFF	Retained	Retained	Retained	Retained
Port M control register	PMCR	H'FFF0	Retained	Retained	Retained	Retained
Port N control register	PNCR	H'FFFF	Retained	Retained	Retained	Retained
Port P control register	PPCR	H'0000	Retained	Retained	Retained	Retained
Port Q control register	PQCR	H'0000	Retained	Retained	Retained	Retained
Port R control register	PRCR	H'0000	Retained	Retained	Retained	Retained
Port A data register	PADR	H'00	Retained	Retained	Retained	Retained
Port B data register	PBDR	H'00	Retained	Retained	Retained	Retained
Port C data register	PCDR	H'00	Retained	Retained	Retained	Retained
Port D data register	PDDR	H'00	Retained	Retained	Retained	Retained
Port E data register	PEDR	H'0x	Retained	Retained	Retained	Retained
Port F data register	PFDR	H'00	Retained	Retained	Retained	Retained
Port G data register	PGDR	H'00	Retained	Retained	Retained	Retained
Port H data register	PHDR	H'00	Retained	Retained	Retained	Retained
Port J data register	PJDR	H'xx	Retained	Retained	Retained	Retained
Port K data register	PKDR	H'xx	Retained	Retained	Retained	Retained
Port L data register	PLDR	H'xx	Retained	Retained	Retained	Retained
Port M data register	PMDR	H'xx	Retained	Retained	Retained	Retained
Port N data register	PNDR	H'xx	Retained	Retained	Retained	Retained
Port P data register	PPDR	H'00	Retained	Retained	Retained	Retained
Port Q data register	PQDR	H'00	Retained	Retained	Retained	Retained

Register Name	Abbrev.	Power-on Reset by <u>RESET</u> Pin/WDT/ H-UDI	Manual Reset by WDT/ Multiple Exception	Sleep by SLEEP Instruction	Module Standby	Deep Sleep
Port R data register	PRDR	H'00	Retained	Retained	Retained	Retained
Port E pull-up control register	PEPUPR	H'FF	Retained	Retained	Retained	Retained
Port H pull-up control register	PHPUPR	H'FF	Retained	Retained	Retained	Retained
Port J pull-up control register	PJPUPR	H'FF	Retained	Retained	Retained	Retained
Port K pull-up control register	PKPUPR	H'FF	Retained	Retained	Retained	Retained
Port L pull-up control register	PLPUPR	H'FF	Retained	Retained	Retained	Retained
Port M pull-up control register	PMPUPR	H'FF	Retained	Retained	Retained	Retained
Port N pull-up control register	PNPUPR	H'FF	Retained	Retained	Retained	Retained
Input pin pull-up control register 1	PPUPR1	H'FFFF	Retained	Retained	Retained	Retained
Input pin pull-up control register 2	PPUPR2	H'FFFF	Retained	Retained	Retained	Retained
Peripheral module select register 1	P1MSELR	H'0000	Retained	Retained	Retained	Retained
Peripheral module select register 2	P2MSELR	H'0000	Retained	Retained	Retained	Retained

28.2.1 Port A Control Register (PACR)

PACR is a 16-bit readable/writable register that selects the pin function and controls the input pull-up MOS.

Bit:	15	14	13	12	11	10	9	8	7	6	5	4	3	2	1	0
	PA7 MD1	PA7 MD0	PA6 MD1	PA6 MD0	PA5 MD1	PA5 MD0	PA4 MD1	PA4 MD0	PA3 MD1	PA3 MD0	PA2 MD1	PA2 MD0	PA1 MD1	PA1 MD0	PA0 MD1	PA0 MD0
Initial value:	0	0	0	0	0	0	0	0	0	0	0	0	0	0	0	0
R/W:	R/W	R/W	R/W	R/W	R/W	R/W	R/W	R/W	R/W	R/W	R/W	R/W	R/W	R/W	R/W	R/W

Bit	Bit Name	Initial value	R/W	Description
15	PA7MD1	0	R/W	PA7 Mode
14	PA7MD0	0	R/W	00: LBSC/PCIC module (D63/AD31)* When the bus mode is set to DU via the bus-mode pins (MODE11 and MODE12), port input (pull-up MOS: On) is selected. 01: Port output 10: Port input (pull-up MOS: Off) 11: Port input (pull-up MOS: On)
13	PA6MD1	0	R/W	PA6 Mode
12	PA6MD0	0	R/W	00: LBSC/PCIC module (D62/AD30)* When the bus mode is set to DU via the bus-mode pins (MODE11 and MODE12), port input (pull-up MOS: On) is selected. 01: Port output 10: Port input (pull-up MOS: Off) 11: Port input (pull-up MOS: On)
11	PA5MD1	0	R/W	PA5 Mode
10	PA5MD0	0	R/W	00: LBSC/PCIC module (D61/AD29)* When the bus mode is set to DU via the bus-mode pins (MODE11 and MODE12), port input (pull-up MOS: On) is selected. 01: Port output 10: Port input (pull-up MOS: Off) 11: Port input (pull-up MOS: On)

Bit	Bit Name	Initial value	R/W	Description
9	PA4MD1	0	R/W	PA4 Mode
8	PA4MD0	0	R/W	00: LBSC/PCIC module (D60/AD28)* When the bus mode is set to DU via the bus-mode pins (MODE11 and MODE12), port input (pull-up MOS: On) is selected. 01: Port output 10: Port input (pull-up MOS: Off) 11: Port input (pull-up MOS: On)
7	PA3MD1	0	R/W	PA3 Mode
6	PA3MD0	0	R/W	00: LBSC/PCIC module (D59/AD27)* When the bus mode is set to DU via the bus-mode pins (MODE11 and MODE12), port input (pull-up MOS: On) is selected. 01: Port output 10: Port input (pull-up MOS: Off) 11: Port input (pull-up MOS: On)
5	PA2MD1	0	R/W	PA2 Mode
4	PA2MD0	0	R/W	00: LBSC/PCIC module (D58/AD26)* When the bus mode is set to DU module via the bus-mode pins (MODE11 and MODE12), port input (pull-up MOS: On) is selected. 01: Port output 10: Port input (pull-up MOS: Off) 11: Port input (pull-up MOS: On)
3	PA1MD1	0	R/W	PA1 Mode
2	PA1MD0	0	R/W	00: LBSC/PCIC module (D57/AD25)* When the bus mode is set to DU via the bus-mode pins (MODE11 and MODE12), port input (pull-up MOS: On) is selected. 01: Port output 10: Port input (pull-up MOS: Off) 11: Port input (pull-up MOS: On)

Bit	Bit Name	Initial value	R/W	Description
1	PA0MD1	0	R/W	PA0 Mode
0	PA0MD0	0	R/W	00: LBSC/PCIC module (D56/AD24)* When the bus mode is set to DU via the bus-mode pins (MODE11 and MODE12), port input (pull-up MOS: On) is selected. 01: Port output 10: Port input (pull-up MOS: Off) 11: Port input (pull-up MOS: On)

Note: * The module that uses the pin can be selected by the bus-mode pins (MODE11 and MODE12). For the details on setting the bus mode pin, refer to the Appendix.

28.2.2 Port B Control Register (PBCR)

PBCR is a 16-bit readable/writable register that selects the pin function and controls the input pull-up MOS.

Bit:	15	14	13	12	11	10	9	8	7	6	5	4	3	2	1	0
	PB7 MD1	PB7 MD0	PB6 MD1	PB6 MD0	PB5 MD1	PB5 MD0	PB4 MD1	PB4 MD0	PB3 MD1	PB3 MD0	PB2 MD1	PB2 MD0	PB1 MD1	PB1 MD0	PB0 MD1	PB0 MD0
Initial value:	0	0	0	0	0	0	0	0	0	0	0	0	0	0	0	0
R/W:	R/W	R/W	R/W	R/W	R/W	R/W	R/W	R/W	R/W	R/W	R/W	R/W	R/W	R/W	R/W	R/W

Bit	Bit Name	Initial value	R/W	Description
15	PB7MD1	0	R/W	PB7 Mode
14	PB7MD0	0	R/W	00: LBSC/PCIC module (D55/AD23)* When the bus mode is set to DU via the bus-mode pins (MODE11 and MODE12), port input (pull-up MOS: On) is selected. 01: Port output 10: Port input (pull-up MOS: Off) 11: Port input (pull-up MOS: On)
13	PB6MD1	0	R/W	PB6 Mode
12	PB6MD0	0	R/W	00: LBSC/PCIC module (D54/AD22)* When the bus mode is set to DU via the bus-mode pins (MODE11 and MODE12), port input (pull-up MOS: On) is selected. 01: Port output 10: Port input (pull-up MOS: Off) 11: Port input (pull-up MOS: On)
11	PB5MD1	0	R/W	PB5 Mode
10	PB5MD0	0	R/W	00: LBSC/PCIC module (D53/AD21)* When the bus mode is set to DU via the bus-mode pins (MODE11 and MODE12), port input (pull-up MOS: On) is selected. 01: Port output 10: Port input (pull-up MOS: Off) 11: Port input (pull-up MOS: On)

Bit	Bit Name	Initial value	R/W	Description
9	PB4MD1	0	R/W	PB4 Mode
8	PB4MD0	0	R/W	00: LBSC/PCIC module (D52/AD20)* When the bus mode is set to DU via the bus-mode pins (MODE11 and MODE12), port input (pull-up MOS: On) is selected. 01: Port output 10: Port input (pull-up MOS: Off) 11: Port input (pull-up MOS: On)
7	PB3MD1	0	R/W	PB3 Mode
6	PB3MD0	0	R/W	00: LBSC/PCIC module (D51/AD19)* When the bus mode is set to DU via the bus-mode pins (MODE11 and MODE12), port input (pull-up MOS: On) is selected. 01: Port output 10: Port input (pull-up MOS: Off) 11: Port input (pull-up MOS: On)
5	PB2MD1	0	R/W	PB2 Mode
4	PB2MD0	0	R/W	00: LBSC/PCIC module (D50/AD18)* When the bus mode is set to DU via the bus-mode pins (MODE11 and MODE12), port input (pull-up MOS: On) is selected. 01: Port output 10: Port input (pull-up MOS: Off) 11: Port input (pull-up MOS: On)
3	PB1MD1	0	R/W	PB1 Mode
2	PB1MD0	0	R/W	00: LBSC/PCIC/DU module (D49/AD17/DB5)* 01: Port output 10: Port input (pull-up MOS: Off) 11: Port input (pull-up MOS: On)
1	PB0MD1	0	R/W	PB0 Mode
0	PB0MD0	0	R/W	00: LBSC/PCIC/DU module (D48/AD16/DB4)* 01: Port output 10: Port input (pull-up MOS: Off) 11: Port input (pull-up MOS: On)

Note: * The module that uses the pin can be selected by the bus-mode pin (MODE11 and MODE12). For the details on setting the bus mode pin, refer to the Appendix.

28.2.3 Port C Control Register (PCCR)

PCCR is a 16-bit readable/writable register that selects the pin function and controls the input pull-up MOS.

Bit:	15	14	13	12	11	10	9	8	7	6	5	4	3	2	1	0
	PC7 MD1	PC7 MD0	PC6 MD1	PC6 MD0	PC5 MD1	PC5 MD0	PC4 MD1	PC4 MD0	PC3 MD1	PC3 MD0	PC2 MD1	PC2 MD0	PC1 MD1	PC1 MD0	PC0 MD1	PC0 MD0
Initial value:	0	0	0	0	0	0	0	0	0	0	0	0	0	0	0	0
R/W:	R/W	R/W	R/W	R/W	R/W	R/W	R/W	R/W	R/W	R/W	R/W	R/W	R/W	R/W	R/W	R/W

Bit	Bit Name	Initial value	R/W	Description
15	PC7MD1	0	R/W	PC7 Mode
14	PC7MD0	0	R/W	00: LBSC/PCIC/DU module (D47/AD15/DB3)* 01: Port output 10: Port input (pull-up MOS: Off) 11: Port input (pull-up MOS: On)
13	PC6MD1	0	R/W	PC6 Mode
12	PC6MD0	0	R/W	00: LBSC/PCIC/DU module (D46/AD14/DB2)* 01: Port output 10: Port input (pull-up MOS: Off) 11: Port input (pull-up MOS: On)
11	PC5MD1	0	R/W	PC5 Mode
10	PC5MD0	0	R/W	00: LBSC/PCIC/DU module (D45AD13/DB1)* 01: Port output 10: Port input (pull-up MOS: Off) 11: Port input (pull-up MOS: On)
9	PC4MD1	0	R/W	PC4 Mode
8	PC4MD0	0	R/W	00: LBSC/PCIC/DU module (D44/AD12/DB0)* 01: Port output 10: Port input (pull-up MOS: Off) 11: Port input (pull-up MOS: On)

Bit	Bit Name	Initial value	R/W	Description
7	PC3MD1	0	R/W	PC3 Mode
6	PC3MD0	0	R/W	00: LBSC/PCIC/DU module (D43/AD11/DG5)* 01: Port output 10: Port input (pull-up MOS: Off) 11: Port input (pull-up MOS: On)
5	PC2MD1	0	R/W	PC2 Mode
4	PC2MD0	0	R/W	00: LBSC/PCIC/DU module (D42/AD10/DG4)* 01: Port output 10: Port input (pull-up MOS: Off) 11: Port input (pull-up MOS: On)
3	PC1MD1	0	R/W	PC1 Mode
2	PC1MD0	0	R/W	00: LBSC/PCIC/DU module (D41/AD9/DG3)* 01: Port output 10: Port input (pull-up MOS: Off) 11: Port input (pull-up MOS: On)
1	PC0MD1	0	R/W	PC0 Mode
0	PC0MD0	0	R/W	00: LBSC/PCIC/DU module (D40/AD8/DG2)* 01: Port output 10: Port input (pull-up MOS: Off) 11: Port input (pull-up MOS: On)

Note: * The module that uses the pin can be selected by the bus-mode pins (MODE11 and MODE12). For the details on setting the bus mode pin, refer to the Appendix.

28.2.4 Port D Control Register (PDCR)

PDCR is a 16-bit readable/writable register that selects the pin function and controls the input pull-up MOS.

Bit:	15	14	13	12	11	10	9	8	7	6	5	4	3	2	1	0
	PD7 MD1	PD7 MD0	PD6 MD1	PD6 MD0	PD5 MD1	PD5 MD0	PD4 MD1	PD4 MD0	PD3 MD1	PD3 MD0	PD2 MD1	PD2 MD0	PD1 MD1	PD1 MD0	PD0 MD1	PD0 MD0
Initial value:	0	0	0	0	0	0	0	0	0	0	0	0	0	0	0	0
R/W:	R/W	R/W	R/W	R/W	R/W	R/W	R/W	R/W	R/W	R/W	R/W	R/W	R/W	R/W	R/W	R/W

Bit	Bit Name	Initial value	R/W	Description
15	PD7MD1	0	R/W	PD7 Mode
14	PD7MD0	0	R/W	00: LBSC/PCIC/DU module (D39/AD7/DG1)* 01: Port output 10: Port input (pull-up MOS: Off) 11: Port input (pull-up MOS: On)
13	PD6MD1	0	R/W	PD6 Mode
12	PD6MD0	0	R/W	00: LBSC/PCIC/DU module (D38/AD6/DG0)* 01: Port output 10: Port input (pull-up MOS: Off) 11: Port input (pull-up MOS: On)
11	PD5MD1	0	R/W	PD5 Mode
10	PD5MD0	0	R/W	00: LBSC/PCIC/DU module (D37/AD5/DR5)* 01: Port output 10: Port input (pull-up MOS: Off) 11: Port input (pull-up MOS: On)
9	PD4MD1	0	R/W	PD4 Mode
8	PD4MD0	0	R/W	00: LBSC/PCIC/DU module (D36/AD4/DR4)* 01: Port output 10: Port input (pull-up MOS: Off) 11: Port input (pull-up MOS: On)

Bit	Bit Name	Initial value	R/W	Description
7	PD3MD1	0	R/W	PD3 Mode
6	PD3MD0	0	R/W	00: LBSC/PCIC/DU module (D35/AD3/DR3)* 01: Port output 10: Port input (pull-up MOS: Off) 11: Port input (pull-up MOS: On)
5	PD2MD1	0	R/W	PD2 Mode
4	PD2MD0	0	R/W	00: LBSC/PCIC/DU module (D34/AD2/DR2)* 01: Port output 10: Port input (pull-up MOS: Off) 11: Port input (pull-up MOS: On)
3	PD1MD1	0	R/W	PD1 Mode
2	PD1MD0	0	R/W	00: LBSC/PCIC/DU module (D33/AD1/DR1)* 01: Port output 10: Port input (pull-up MOS: Off) 11: Port input (pull-up MOS: On)
1	PD0MD1	0	R/W	PD0 Mode
0	PD0MD0	0	R/W	00: LBSC/PCIC/DU module (D32/AD0/DR0)* 01: Port output 10: Port input (pull-up MOS: Off) 11: Port input (pull-up MOS: On)

Note: * The module that uses the pin can be selected by the bus-mode pins (MODE11 and MODE12). For the details on setting the bus mode pin, refer to the Appendix.

28.2.5 Port E Control Register (PECR)

PECR is a 16-bit readable/writable register that selects the pin function and controls the input pull-up MOS.

Bit:	15	14	13	12	11	10	9	8	7	6	5	4	3	2	1	0
	—	—	—	—	PE5 MD1	PE5 MD0	PE4 MD1	PE4 MD0	PE3 MD1	PE3 MD0	PE2 MD1	PE2 MD0	PE1 MD1	PE1 MD0	PE0 MD1	PE0 MD0
Initial value:	0	0	0	0	0	0	0	0	1	1	0	0	0	0	1	1
R/W:	R/W	R/W	R/W	R/W	R/W	R/W	R/W	R/W	R/W	R/W	R/W	R/W	R/W	R/W	R/W	R/W

Bit	Bit Name	Initial value	R/W	Description
15 to 12	—	All 0	R/W	Reserved These bits are always read as 0, and the write value should always be 0.
11	PE5MD1	0	R/W	PE5 Mode
10	PE5MD0	0	R/W	00: PCIC module ($\overline{\text{REQ1}}$) When the bus mode is set to the local bus or DU via the bus mode pins (MODE1 and MODE2), port input (pull-up MOS: On) is selected. 01: Port output 10: Port input (pull-up MOS: Off) 11: Port input (pull-up MOS: On)
9	PE4MD1	0	R/W	PE4 Mode
8	PE4MD0	0	R/W	00: PCIC module ($\overline{\text{REQ2}}$) When the bus mode is set to the local bus or DU via the bus mode pins (MODE1 and MODE2), port input (pull-up MOS: On) is selected. 01: Port output 10: Port input (pull-up MOS: Off) 11: Port input (pull-up MOS: On)
7	PE3MD1	1	R/W	PE3 Mode
6	PE3MD0	1	R/W	00: PCIC module ($\overline{\text{REQ3}}$)* 01: Port output 10: Port input (pull-up MOS: Off) 11: Port input (pull-up MOS: On)

Bit	Bit Name	Initial value	R/W	Description
5	PE2MD1	0	R/W	PE2 Mode
4	PE2MD0	0	R/W	00: PCIC module ($\overline{\text{GNT1}}$) When the bus mode is set to the local bus or DU via the bus mode pins (MODE1 and MODE2), port input (pull-up MOS: On) is selected. 01: Port output 10: Port input (pull-up MOS: Off) 11: Port input (pull-up MOS: On)
3	PE1MD1	0	R/W	PE1 Mode
2	PE1MD0	0	R/W	00: PCIC module ($\overline{\text{GNT2}}$) When the bus mode is set to the local bus or DU via the bus mode pins (MODE1 and MODE2), port input (pull-up MOS: On) is selected. 01: Port output 10: Port input (pull-up MOS: Off) 11: Port input (pull-up MOS: On)
1	PE0MD1	1	R/W	PE0 Mode
0	PE0MD0	1	R/W	00: PCIC/MMCIF module ($\overline{\text{GNT3/MMCCLK}}$)* 01: Port output 10: Port input (pull-up MOS: Off) 11: Port input (pull-up MOS: On)

Note: * The module that uses the pin can be selected by the peripheral module select register 2 (P2MSELR).

28.2.6 Port F Control Register (PFCR)

PFCR is a 16-bit readable/writable register that selects the pin function and controls the input pull-up MOS.

Bit:	15	14	13	12	11	10	9	8	7	6	5	4	3	2	1	0
	PF7 MD1	PF7 MD0	PF6 MD1	PF6 MD0	PF5 MD1	PF5 MD0	PF4 MD1	PF4 MD0	PF3 MD1	PF3 MD0	PF2 MD1	PF2 MD0	PF1 MD1	PF1 MD0	PF0 MD1	PF0 MD0
Initial value:	0	0	0	0	0	0	0	0	0	0	0	0	0	0	0	0
R/W:	R/W	R/W	R/W	R/W	R/W	R/W	R/W	R/W	R/W	R/W	R/W	R/W	R/W	R/W	R/W	R/W

Bit	Bit Name	Initial value	R/W	Description
15	PF7MD1	0	R/W	PF7 Mode
14	PF7MD0	0	R/W	00: LBSC module (D31) 01: Port output 10: Port input (pull-up MOS: Off) 11: Port input (pull-up MOS: On)
13	PF6MD1	0	R/W	PF6 Mode
12	PF6MD0	0	R/W	00: LBSC module (D30) 01: Port output 10: Port input (pull-up MOS: Off) 11: Port input (pull-up MOS: On)
11	PF5MD1	0	R/W	PF5 Mode
10	PF5MD0	0	R/W	00: LBSC module (D29) 01: Port output 10: Port input (pull-up MOS: Off) 11: Port input (pull-up MOS: On)
9	PF4MD1	0	R/W	PF4 Mode
8	PF4MD0	0	R/W	00: LBSC module (D28) 01: Port output 10: Port input (pull-up MOS: Off) 11: Port input (pull-up MOS: On)

Bit	Bit Name	Initial value	R/W	Description
7	PF3MD1	0	R/W	PF3 Mode
6	PF3MD0	0	R/W	00: LBSC module (D27) 01: Port output 10: Port input (pull-up MOS: Off) 11: Port input (pull-up MOS: On)
5	PF2MD1	0	R/W	PF2 Mode
4	PF2MD0	0	R/W	00: LBSC module (D26) 01: Port output 10: Port input (pull-up MOS: Off) 11: Port input (pull-up MOS: On)
3	PF1MD1	0	R/W	PF1 Mode
2	PF1MD0	0	R/W	00: LBSC module (D25) 01: Port output 10: Port input (pull-up MOS: Off) 11: Port input (pull-up MOS: On)
1	PF0MD1	0	R/W	PF0 Mode
0	PF0MD0	0	R/W	00: LBSC module (D24) 01: Port output 10: Port input (pull-up MOS: Off) 11: Port input (pull-up MOS: On)

28.2.7 Port G Control Register (PGCR)

PGCR is a 16-bit readable/writable register that selects the pin function and controls the input pull-up MOS.

Bit:	15	14	13	12	11	10	9	8	7	6	5	4	3	2	1	0
	PG7 MD1	PG7 MD0	PG6 MD1	PG6 MD0	PG5 MD1	PG5 MD0	PG4 MD1	PG4 MD0	PG3 MD1	PG3 MD0	PG2 MD1	PG2 MD0	PG1 MD1	PG1 MD0	PG0 MD1	PG0 MD0
Initial value:	0	0	0	0	0	0	0	0	0	0	0	0	0	0	0	0
R/W:	R/W	R/W	R/W	R/W	R/W	R/W	R/W	R/W	R/W	R/W	R/W	R/W	R/W	R/W	R/W	R/W

Bit	Bit Name	Initial value	R/W	Description
15	PG7MD1	0	R/W	PG7 Mode
14	PG7MD0	0	R/W	00: LBSC module (D23) 01: Port output 10: Port input (pull-up MOS: Off) 11: Port input (pull-up MOS: On)
13	PG6MD1	0	R/W	PG6 Mode
12	PG6MD0	0	R/W	00: LBSC module (D22) 01: Port output 10: Port input (pull-up MOS: Off) 11: Port input (pull-up MOS: On)
11	PG5MD1	0	R/W	PG5 Mode
10	PG5MD0	0	R/W	00: LBSC module (D21) 01: Port output 10: Port input (pull-up MOS: Off) 11: Port input (pull-up MOS: On)
9	PG4MD1	0	R/W	PG4 Mode
8	PG4MD0	0	R/W	00: LBSC module (D20) 01: Port output 10: Port input (pull-up MOS: Off) 11: Port input (pull-up MOS: On)

Bit	Bit Name	Initial value	R/W	Description
7	PG3MD1	0	R/W	PG3 Mode
6	PG3MD0	0	R/W	00: LBSC module (D19) 01: Port output 10: Port input (pull-up MOS: Off) 11: Port input (pull-up MOS: On)
5	PG2MD1	0	R/W	PG2 Mode
4	PG2MD0	0	R/W	00: LBSC module (D18) 01: Port output 10: Port input (pull-up MOS: Off) 11: Port input (pull-up MOS: On)
3	PG1MD1	0	R/W	PG1 Mode
2	PG1MD0	0	R/W	00: LBSC module (D17) 01: Port output 10: Port input (pull-up MOS: Off) 11: Port input (pull-up MOS: On)
1	PG0MD1	0	R/W	PG0 Mode
0	PG0MD0	0	R/W	00: LBSC module (D16) 01: Port output 10: Port input (pull-up MOS: Off) 11: Port input (pull-up MOS: On)

28.2.8 Port H Control Register (PHCR)

PHCR is a 16-bit readable/writable register that selects the pin function and controls the input pull-up MOS.

Bit:	15	14	13	12	11	10	9	8	7	6	5	4	3	2	1	0
	PH7 MD1	PH7 MD0	PH6 MD1	PH6 MD0	PH5 MD1	PH5 MD0	PH4 MD1	PH4 MD0	PH3 MD1	PH3 MD0	PH2 MD1	PH2 MD0	PH1 MD1	PH1 MD0	PH0 MD1	PH0 MD0
Initial value:	1	1	1	1	1	1	1	1	1	1	1	1	1	1	1	1
R/W:	R/W	R/W	R/W	R/W	R/W	R/W	R/W	R/W	R/W	R/W	R/W	R/W	R/W	R/W	R/W	R/W

Bit	Bit Name	Initial value	R/W	Description
15	PH7MD1	1	R/W	PH7 Mode
14	PH7MD0	1	R/W	00: SCIF[1] module (SCIF1_SCK) 01: Port output 10: Port input (pull-up MOS: Off) 11: Port input (pull-up MOS: On)
13	PH6MD1	1	R/W	PH6 Mode
12	PH6MD0	1	R/W	00: SCIF[1] module (SCIF1_RXD) 01: Port output 10: Port input (pull-up MOS: Off) 11: Port input (pull-up MOS: On)
11	PH5MD1	1	R/W	PH5 Mode
10	PH5MD0	1	R/W	00: SCIF[1] module (SCIF1_TXD) 01: Port output 10: Port input (pull-up MOS: Off) 11: Port input (pull-up MOS: On)
9	PH4MD1	1	R/W	PTH4 Mode
8	PH4MD0	1	R/W	00: SCIF[0]/PCIC/FLCTL module (SCIF0_CTS/INTD/FCE)* 01: Port output 10: Port input (pull-up MOS: Off) 11: Port input (pull-up MOS: On)

Bit	Bit Name	Initial value	R/W	Description
7	PH3MD1	1	R/W	PH3 Mode
6	PH3MD0	1	R/W	00: SCIF[0]/HSPI/FLCTL module (SCIF0_RTS/HSPI_CS/FSE)* 01: Port output 10: Port input (pull-up MOS: Off) 11: Port input (pull-up MOS: On)
5	PH2MD1	1	R/W	PH2 Mode
4	PH2MD0	1	R/W	00: SCIF[0]/HSPI/FLCTL module (SCIF0_SCK/HSPI_CLK/FRE)* 01: Port output 10: Port input (pull-up MOS: Off) 11: Port input (pull-up MOS: On)
3	PH1MD1	1	R/W	PH1 Mode
2	PH1MD0	1	R/W	00: SCIF[0]/HSPI/FLCTL module (SCIF0_RXD/HSPI_RX/FRB)* 01: Port output 10: Port input (pull-up MOS: Off) 11: Port input (pull-up MOS: On)
1	PH0MD1	1	R/W	PH0 Mode
0	PH0MD0	1	R/W	00: SCIF[0]/HSPI/FLCTL module (SCIF0_TXD/HSPI_TX/FWE)* 01: Port output 10: Port input (pull-up MOS: Off) 11: Port input (pull-up MOS: On)

Note: * The module that uses this pin can be selected by the peripheral module select register 1 (P1MSELR).

28.2.9 Port J Control Register (PJCR)

PJCR is a 16-bit readable/writable register that selects the pin function and controls the input pull-up MOS.

Bit:	15	14	13	12	11	10	9	8	7	6	5	4	3	2	1	0
	PJ7 MD1	PJ7 MD0	PJ6 MD1	PJ6 MD0	PJ5 MD1	PJ5 MD0	PJ4 MD1	PJ4 MD0	PJ3 MD1	PJ3 MD0	PJ2 MD1	PJ2 MD0	PJ1 MD1	PJ1 MD0	PJ0 MD1	PJ0 MD0
Initial value:	1	1	1	1	1	1	1	1	1	1	1	1	1	1	1	1
R/W:	R/W	R/W	R/W	R/W	R/W	R/W	R/W	R/W	R/W	R/W	R/W	R/W	R/W	R/W	R/W	R/W

Bit	Bit Name	Initial value	R/W	Description
15	PJ7MD1	1	R/W	PJ7 Mode
14	PJ7MD0	1	R/W	00: SCIF[5]/HAC[1]/SSI[1] module (SCIF5_TXD/HAC1_SYNC/SSI1_WS)* ¹ 01: Port output 10: Port input (pull-up MOS: Off) 11: Port input (pull-up MOS: On)
13	PJ6MD1	1	R/W	PJ6 Mode
12	PJ6MD0	1	R/W	00: SIOF/HAC[0]/SSI[0]module (SIOF_TXD/HAC0_SDOOUT/SSI0_SDATA)* ¹ 01: Port output 10: Port input (pull-up MOS: Off) 11: Port input (pull-up MOS: On)
11	PJ5MD1	1	R/W	PJ5 Mode
10	PJ5MD0	1	R/W	00: SIOF/HAC[0]/SSI[0] module (SIOF_RXD/HAC0_SDIN/SSIO_SCK)* ¹ 01: Port output 10: Port input (pull-up MOS: Off) 11: Port input (pull-up MOS: On)
9	PJ4MD1	1	R/W	PJ4 Mode
8	PJ4MD0	1	R/W	00: SIOF/HAC[0]/SSI[0] module (SIOF_SYNC/HAC0_SYNC/SSIO_WS)* ¹ 01: Port output 10: Port input (pull-up MOS: Off) 11: Port input (pull-up MOS: On)

Bit	Bit Name	Initial value	R/W	Description
7	PJ3MD1	1	R/W	PJ3 Mode
6	PJ3MD0	1	R/W	00: SIOF/HAC module (SIOF_MCLK/HAC_ $\overline{\text{RES}}$)* ¹ 01: Port output 10: Port input (pull-up MOS: Off) 11: Port input (pull-up MOS: On)
5	PJ2MD1	1	R/W	PJ2 Mode
4	PJ2MD0	1	R/W	00: SIOF/HAC[0]/SSI[0] module (SIOF_SCK/HAC0_BITCLK/SSIO_CLK)* ¹ 01: Port output 10: Port input (pull-up MOS: Off) 11: Port input (pull-up MOS: On)
3	PJ1MD1	1	R/W	PJ1 Mode
2	PJ1MD0	1	R/W	00: HAC[1]/SSI[1] module (HAC1_BITCLK/SSI1_CLK)* ¹ 01: Port output 10: Port input (pull-up MOS: Off) 11: Port input (pull-up MOS: On)
1	PJ0MD1	1	R/W	PJ0 Mode
0	PJ0MD0	1	R/W	00: TMU/LBSC module (MODE13/TCLK/ $\overline{\text{IOIS16}}$)* ¹ 01: Port output 10: Port input (pull-up MOS: Off) 11: Port input (pull-up MOS: On)* ²

- Notes: 1. The module that uses this pin can be selected by the peripheral module select register 1 (P1MSELR).
2. The pull-up MOS of this pin cannot be used for MODE pin setting during power-on reset by the $\overline{\text{PRESET}}$ pin. (The pull-up MOS is turned off during power-on reset by the $\overline{\text{PRESET}}$ pin.)

28.2.10 Port K Control Register (PKCR)

PKCR is a 16-bit readable/writable register that selects the pin function and controls the input pull-up MOS.

Bit:	15	14	13	12	11	10	9	8	7	6	5	4	3	2	1	0
	PK7 MD1	PK7 MD0	PK6 MD1	PK6 MD0	PK5 MD1	PK5 MD0	PK4 MD1	PK4 MD0	PK3 MD1	PK3 MD0	PK2 MD1	PK2 MD0	PK1 MD1	PK1 MD0	PK0 MD1	PK0 MD0
Initial value:	0	0	0	0	1	1	1	1	1	1	1	1	1	1	1	1
R/W:	R/W	R/W	R/W	R/W	R/W	R/W	R/W	R/W	R/W	R/W	R/W	R/W	R/W	R/W	R/W	R/W

Bit	Bit Name	Initial value	R/W	Description
15	PK7MD1	0	R/W	PK7 Mode
14	PK7MD0	0	R/W	00: [STATUS]/DMAC module (STATUS0/DRAK0)* 01: Port output 10: Port input (pull-up MOS: Off) 11: Port input (pull-up MOS: On)
13	PK6MD1	0	R/W	PK6 Mode
12	PK6MD0	0	R/W	00: [STATUS]/DMAC module (STATUS0/DRAK0)* 01: Port output 10: Port input (pull-up MOS: Off) 11: Port input (pull-up MOS: On)
11	PK5MD1	1	R/W	PK5 Mode
10	PK5MD0	1	R/W	00: DMAC/SCIF[2]/MMCIF/SIOF module (DACK2/SCIF2_TXD/MMCCMD/SIOF_TXD)* 01: Port output 10: Port input (pull-up MOS: Off) 11: Port input (pull-up MOS: On)
9	PK4MD1	1	R/W	PK4 Mode
8	PK4MD0	1	R/W	00: DMAC/SCIF[2]/MMCIF/SIOF module (DACK3/SCIF2_SCK/MMCDAT/SIOF_SCK)* 01: Port output 10: Port input (pull-up MOS: Off) 11: Port input (pull-up MOS: On)

Bit	Bit Name	Initial value	R/W	Description
7	PK3MD1	1	R/W	PK3 Mode
6	PK3MD0	1	R/W	00: DMAC module ($\overline{\text{DREQ0}}$) 01: Port output 10: Port input (pull-up MOS: Off) 11: Port input (pull-up MOS: On)
5	PK2MD1	1	R/W	PK2 Mode
4	PK2MD0	1	R/W	00: DMAC module ($\overline{\text{DREQ1}}$) 01: Port output 10: Port input (pull-up MOS: Off) 11: Port input (pull-up MOS: On)
3	PK1MD1	1	R/W	PK1 Mode
2	PK1MD0	1	R/W	00: DMAC module ($\overline{\text{DACK0}}$) 01: Port output 10: Port input (pull-up MOS: Off) 11: Port input (pull-up MOS: On)
1	PK0MD1	1	R/W	PK0 Mode
0	PK0MD0	1	R/W	00: DMAC module ($\overline{\text{DACK1}}$) 01: Port output 10: Port input (pull-up MOS: Off) 11: Port input (pull-up MOS: On)

Note: * The module that uses this pin can be selected by the peripheral module select register 1 (P1MSELR).

28.2.11 Port L Control Register (PLCR)

PLCR is a 16-bit readable/writable register that selects the pin function and controls the input pull-up MOS.

Bit:	15	14	13	12	11	10	9	8	7	6	5	4	3	2	1	0
	PL7 MD1	PL7 MD0	PL6 MD1	PL6 MD0	PL5 MD1	PL5 MD0	PL4 MD1	PL4 MD0	PL3 MD1	PL3 MD0	PL2 MD1	PL2 MD0	PL1 MD1	PL1 MD0	PL0 MD1	PL0 MD0
Initial value:	1	1	1	1	1	1	1	1	1	1	1	1	1	1	1	1
R/W:	R/W	R/W	R/W	R/W	R/W	R/W	R/W	R/W	R/W	R/W	R/W	R/W	R/W	R/W	R/W	R/W

Bit	Bit Name	Initial value	R/W	Description
15	PL7MD1	1	R/W	PL7 Mode
14	PL7MD0	1	R/W	00: DMAC/PCIC module ($\overline{\text{DREQ2}}/\overline{\text{INTB}}$)* ¹ 01: Port output 10: Port input (pull-up MOS: Off) 11: Port input (pull-up MOS: On)
13	PL6MD1	1	R/W	PL6 Mode
12	PL6MD0	1	R/W	00: DMAC/PCIC module ($\overline{\text{DREQ3}}/\overline{\text{INTC}}$)* ¹ 01: Port output 10: Port input (pull-up MOS: Off) 11: Port input (pull-up MOS: On)
11	PL5MD1	1	R/W	PL5 Mode
10	PL5MD0	1	R/W	00: DMAC/LBSC module ($\overline{\text{DREQ2}}/\overline{\text{CE2A}}$)* ¹ 01: Port output 10: Port input (pull-up MOS: Off) 11: Port input (pull-up MOS: On)
9	PL4MD1	1	R/W	PL4 Mode
8	PL4MD0	1	R/W	00: INTC/FLCTL module ($\text{MODE0}/\overline{\text{IRL4}}/\text{FD4}$)* ¹ 01: Port output 10: Port input (pull-up MOS: Off) 11: Port input (pull-up MOS: On)* ²

Bit	Bit Name	Initial value	R/W	Description
7	PL3MD1	1	R/W	PL3 Mode
6	PL3MD0	1	R/W	00: INTC/FLCTL module (MODE1/ $\overline{\text{IRL5}}$ /FD5)* ¹ 01: Port output 10: Port input (pull-up MOS: Off) 11: Port input (pull-up MOS: On)* ²
5	PL2MD1	1	R/W	PL2 Mode
4	PL2MD0	1	R/W	00: INTC/FLCTL module (MODE2/ $\overline{\text{IRL6}}$ /FD6)* ¹ 01: Port output 10: Port input (pull-up MOS: Off) 11: Port input (pull-up MOS: On)* ²
3	PL1MD1	1	R/W	PL1 Mode
2	PL1MD0	1	R/W	00: INTC/FLCTL module (MODE3/ $\overline{\text{IRL7}}$ /FD7)* ¹ 01: Port output 10: Port input (pull-up MOS: Off) 11: Port input (pull-up MOS: On)* ²
1	PL0MD1	1	R/W	PL0 Mode
0	PL0MD0	1	R/W	00: DMAC/LBSC module (MODE12/ $\overline{\text{DRAK3}}$ / $\overline{\text{CE2B}}$)* ¹ 01: Port output 10: Port input (pull-up MOS: Off) 11: Port input (pull-up MOS: On)* ²

- Notes: 1. The module that uses this pin can be selected by the peripheral module select register 1 (P1MSELR).
2. This pin cannot be used as a pull-up resistor for setting mode pin at power-on reset by the $\overline{\text{PRESET}}$ pin. (The pull-up MOS is turned off at power-on reset by the $\overline{\text{PRESET}}$ pin.)

28.2.12 Port M Control Register (PMCR)

PMCR is a 16-bit readable/writable register that selects the pin function and controls the input pull-up MOS.

Bit:	15	14	13	12	11	10	9	8	7	6	5	4	3	2	1	0
	—	—	—	—	—	—	—	—	—	—	—	—	PM1 MD1	PM1 MD0	PM0 MD1	PM0 MD0
Initial value:	1	1	1	1	1	1	1	1	1	1	1	1	0	0	0	0
R/W:	R/W	R/W	R/W	R/W	R/W	R/W	R/W	R/W	R/W	R/W	R/W	R/W	R/W	R/W	R/W	R/W

Bit	Bit Name	Initial value	R/W	Description
15 to 4	—	All 1	R/W	Reserved These bits are always read as 1, and the write value should always be 1.
3	PM1MD1	0	R/W	PM1 Mode
2	PM1MD0	0	R/W	00: LBSC module ($\overline{\text{BREQ}}/\overline{\text{BSACK}}$) 01: Port output 10: Port input (pull-up MOS: Off) 11: Port input (pull-up MOS: On)
1	PM0MD1	0	R/W	PM1 Mode
0	PM0MD0	0	R/W	00: LBSC module ($\overline{\text{BACK}}/\overline{\text{BSREQ}}$) 01: Port output 10: Port input (pull-up MOS: Off) 11: Port input (pull-up MOS: On)

28.2.13 Port N Control Register (PNCR)

PNCR is a 16-bit readable/writable register that selects the pin function and controls the input pull-up MOS.

Bit:	15	14	13	12	11	10	9	8	7	6	5	4	3	2	1	0
	PN7 MD1	PN7 MD0	PN6 MD1	PN6 MD0	PN5 MD1	PN5 MD0	PN4 MD1	PN4 MD0	PN3 MD1	PN3 MD0	PN2 MD1	PN2 MD0	PN1 MD1	PN1 MD0	PN0 MD1	PN0 MD0
Initial value:	1	1	1	1	1	1	1	1	1	1	1	1	1	1	1	1
R/W:	R/W	R/W	R/W	R/W	R/W	R/W	R/W	R/W	R/W	R/W	R/W	R/W	R/W	R/W	R/W	R/W

Bit	Bit Name	Initial value	R/W	Description
15	PN7MD1	1	R/W	PN7 Mode
14	PN7MD0	1	R/W	00: SCIF[5]/HAC[1]/SSI[1] module (SCIF5_RXD/HAC1_SDIN/SSI1_SCK)* ¹ 01: Port output 10: Port input (pull-up MOS: Off) 11: Port input (pull-up MOS: On)
13	PL6MD1	1	R/W	PN6 Mode
12	PL6MD0	1	R/W	00: SCIF[5]/HAC[1]/SSI[1] module (SCIF5_CSK/HAC1_SDOUT/SSI1_SDATA)* ¹ 01: Port output 10: Port input (pull-up MOS: Off) 11: Port input (pull-up MOS: On)
11	PL5MD1	1	R/W	PN5 Mode
10	PL5MD0	1	R/W	00: SCIF[3]/FLCTL module (MODE4/SCIF3_TXD/FCLE)* ¹ 01: Port output 10: Port input (pull-up MOS: Off) 11: Port input (pull-up MOS: On)* ²
9	PL4MD1	1	R/W	PN4 Mode
8	PL4MD0	1	R/W	00: SCIF[3]/FLCTL module (MODE7/SCIF3_RXD/FALE)* ¹ 01: Port output 10: Port input (pull-up MOS: Off) 11: Port input (pull-up MOS: On)* ²

Bit	Bit Name	Initial value	R/W	Description
7	PL3MD1	1	R/W	PN3 Mode
6	PL3MD0	1	R/W	00: SCIF[3]/FLCTL module (MODE8/SCIF3_SCK/FD0)* ¹ 01: Port output 10: Port input (pull-up MOS: Off) 11: Port input (pull-up MOS: On)* ²
5	PL2MD1	1	R/W	PN2 Mode
4	PL2MD0	1	R/W	00: SCIF[4]/FLCTL module (MODE9/SCIF4_TXD/FD1)* ¹ 01: Port output 10: Port input (pull-up MOS: Off) 11: Port input (pull-up MOS: On)* ²
3	PL1MD1	1	R/W	PN1 Mode
2	PL1MD0	1	R/W	00: SCIF[4]/FLCTL module (MODE10/SCIF4_RXD/FD2)* ¹ 01: Port output 10: Port input (pull-up MOS: Off) 11: Port input (pull-up MOS: On)* ²
1	PL0MD1	1	R/W	PL0 Mode
0	PL0MD0	1	R/W	00: SCIF[4]/FLCTL module (MODE11/SCIF4_SCK/FD3)* ¹ 01: Port output 10: Port input (pull-up MOS: Off) 11: Port input (pull-up MOS: On)* ²

- Notes: 1. The module that uses this pin can be selected by the peripheral module select register 1 (P1MSELR).
2. The pull-up MOS of these pins cannot be used for MODE pin setting during power-on reset by the PRESET pin. (The pull-up MOS is turned off during power-on reset by the PRESET pin.)

28.2.14 Port P Control Register (PPCR)

PPCR is a 16-bit readable/writable register that selects the pin function and controls the input pull-up MOS.

Bit:	15	14	13	12	11	10	9	8	7	6	5	4	3	2	1	0
	—	—	—	—	PP5 MD1	PP5 MD0	PP4 MD1	PP4 MD0	PP3 MD1	PP3 MD0	PP2 MD1	PP2 MD0	PP1 MD1	PP1 MD0	PP0 MD1	PP0 MD0
Initial value:	0	0	0	0	0	0	0	0	0	0	0	0	0	0	0	0
R/W:	R/W	R/W	R/W	R/W	R/W	R/W	R/W	R/W	R/W	R/W	R/W	R/W	R/W	R/W	R/W	R/W

Bit	Bit Name	Initial value	R/W	Description
15 to 12	—	All 0	R/W	Reserved These bits are always read as 0, and the write value should always be 0.
11	PP5MD1	0	R/W	PP5 Mode
10	PP5MD0	0	R/W	00: PCIC/DU module ($\overline{\text{DEVSEL}}/\text{DCLKOUT}$)* When the bus mode is set to the local bus by the bus mode pins (MODE11 and MODE12), port input (pull-up MOS: On) is selected. 01: Port output 10: Port input (pull-up MOS: Off) 11: Port input (pull-up MOS: On)
9	PP4MD1	0	R/W	PP4 Mode
8	PP4MD0	0	R/W	00: PCIC/DU module ($\overline{\text{STOP}}/\overline{\text{CDE}}$)* When the bus mode is set to the local bus by the bus mode pins (MODE11 and MODE12), port input (pull-up MOS: On) is selected. 01: Port output 10: Port input (pull-up MOS: Off) 11: Port input (pull-up MOS: On)

Bit	Bit Name	Initial value	R/W	Description
7	PP3MD1	0	R/W	PP3 Mode
6	PP3MD0	0	R/W	00: PCIC/DU module ($\overline{\text{LOCK}}/\text{ODDF}$)* When the bus mode is set to the local bus by the bus mode pins (MODE11 and MODE12), port input (pull-up MOS: On) is selected. 01: Port output 10: Port input (pull-up MOS: Off) 11: Port input (pull-up MOS: On)
5	PP2MD1	0	R/W	PP2 Mode
4	PP2MD0	0	R/W	00: PCIC/DU module ($\overline{\text{TRDY}}/\text{DISP}$)* When the bus mode is set to the local bus by the bus mode pins (MODE11 and MODE12), port input (pull-up MOS: On) is selected. 01: Port output 10: Port input (pull-up MOS: Off) 11: Port input (pull-up MOS: On)
3	PP1MD1	0	R/W	PP1 Mode
2	PP1MD0	0	R/W	00: PCIC/DU module ($\overline{\text{IRDY}}/\text{HSYNC}$)* When the bus mode is set to the local bus by the bus mode pins (MODE11 and MODE12), port input (pull-up MOS: On) is selected. 01: Port output 10: Port input (pull-up MOS: Off) 11: Port input (pull-up MOS: On)
1	PP0MD1	0	R/W	PP0 Mode
0	PP0MD0	0	R/W	00: PCIC/DU module ($\overline{\text{PCIFRAME}}/\text{VSYNC}$)* When the bus mode is set to the local bus by the bus mode pins (MODE11 and MODE12), port input (pull-up MOS: On) is selected. 01: Port output 10: Port input (pull-up MOS: Off) 11: Port input (pull-up MOS: On)

Note: * The module that uses the pin can be selected by the bus-mode pins (MODE11 and MODE12). For the details on setting the bus mode pin, refer to the Appendix.

28.2.15 Port Q Control Register (PQCR)

PQCR is a 16-bit readable/writable register that selects the pin function and controls the input pull-up MOS.

Bit:	15	14	13	12	11	10	9	8	7	6	5	4	3	2	1	0
	—	—	—	—	—	—	PQ4 MD1	PQ4 MD0	PQ3 MD1	PQ3 MD0	PQ2 MD1	PQ2 MD0	PQ1 MD1	PQ1 MD0	PQ0 MD1	PQ0 MD0
Initial value:	0	0	0	0	0	0	0	0	0	0	0	0	0	0	0	0
R/W:	R/W	R/W	R/W	R/W	R/W	R/W	R/W	R/W	R/W	R/W	R/W	R/W	R/W	R/W	R/W	R/W

Bit	Bit Name	Initial value	R/W	Description
15 to 10	—	All 0	R/W	Reserved These bits are always read as 0, and the write value should always be 0.
9	PQ4MD1	0	R/W	PQ4 Mode
8	PQ4MD0	0	R/W	00: PCIC module ($\overline{\text{INTA}}$) When the bus mode is set to the local bus or DU via the bus mode pins (MODE1 and MODE2), port input (pull-up MOS: On) is selected. 01: Port output 10: Port input (pull-up MOS: Off) 11: Port input (pull-up MOS: On)
7	PQ3MD1	0	R/W	PQ3 Mode
6	PQ3MD0	0	R/W	00: PCIC module ($\overline{\text{GNT0}}/\overline{\text{GNTIN}}$) When the bus mode is set to the local bus or DU via the bus mode pins (MODE1 and MODE2), port input (pull-up MOS: On) is selected. 01: Port output 10: Port input (pull-up MOS: Off) 11: Port input (pull-up MOS: On)

Bit	Bit Name	Initial value	R/W	Description
5	PQ2MD1	0	R/W	PQ2 Mode
4	PQ2MD0	0	R/W	00: PCIC module ($\overline{\text{REQ0}}/\overline{\text{REQOUT}}$) When the bus mode is set to the local bus or DU via the bus mode pins (MODE1 and MODE2), port input (pull-up MOS: On) is selected. 01: Port output 10: Port input (pull-up MOS: Off) 11: Port input (pull-up MOS: On)
3	PQ1MD1	0	R/W	PQ1 Mode
2	PQ1MD0	0	R/W	00: PCIC module ($\overline{\text{PERR}}$) When the bus mode is set to the local bus or DU via the bus mode pins (MODE1 and MODE2), port input (pull-up MOS: On) is selected. 01: Port output 10: Port input (pull-up MOS: Off) 11: Port input (pull-up MOS: On)
1	PQ0MD1	0	R/W	PQ0 Mode
0	PQ0MD0	0	R/W	00: PCIC module ($\overline{\text{SERR}}$) When the bus mode is set to the local bus or DU via the bus mode pins (MODE1 and MODE2), port input (pull-up MOS: On) is selected. 01: Port output 10: Port input (pull-up MOS: Off) 11: Port input (pull-up MOS: On)

28.2.16 Port R Control Register (PRCR)

PRCR is a 16-bit readable/writable register that selects the pin function and controls the input pull-up MOS.

Bit:	15	14	13	12	11	10	9	8	7	6	5	4	3	2	1	0	
	—	—	—	—	—	—	—	—	PR3 MD1	PR3 MD0	PR2 MD1	PR2 MD0	PR1 MD1	PR1 MD0	PR0 MD1	PR0 MD0	
Initial value:	0	0	0	0	0	0	0	0	0	0	0	0	0	0	0	0	0
R/W:	R/W	R/W	R/W	R/W	R/W	R/W	R/W	R/W	R/W	R/W	R/W	R/W	R/W	R/W	R/W	R/W	R/W

Bit	Bit Name	Initial value	R/W	Description
15 to 8	—	All 0	R/W	Reserved These bits are always read as 0, and the write value should always be 0.
7	PR3MD1	0	R/W	PR3 Mode
6	PR3MD0	0	R/W	00: LBSC/PCIC module ($\overline{WE7/CBE3}$)* When the bus mode is set to DU via the bus-mode pins (MODE11 and MODE12), port input (pull-up MOS: On) is selected. 01: Port output 10: Port input (pull-up MOS: Off) 11: Port input (pull-up MOS: On)
5	PR2MD1	0	R/W	PR2 Mode
4	PR2MD0	0	R/W	00: LBSC/PCIC module ($\overline{WE6/CBE2}$)* When the bus mode is set to DU via the bus-mode pins (MODE11 and MODE12), port input (pull-up MOS: On) is selected. 01: Port output 10: Port input (pull-up MOS: Off) 11: Port input (pull-up MOS: On)

Bit	Bit Name	Initial value	R/W	Description
3	PR1MD1	0	R/W	PR1 Mode
2	PR1MD0	0	R/W	00: LBSC/PCIC module ($\overline{WE5}/\overline{CBE1}$)* When the bus mode is set to DU via the bus-mode pins (MODE11 and MODE12), port input (pull-up MOS: On) is selected. 01: Port output 10: Port input (pull-up MOS: Off) 11: Port input (pull-up MOS: On)
1	PR0MD1	0	R/W	PR0 Mode
0	PR0MD0	0	R/W	00: LBSC/PCIC module ($\overline{WE4}/\overline{CBE0}$)* When the bus mode is set to DU via the bus-mode pins (MODE11 and MODE12), port input (pull-up MOS: On) is selected. 01: Port output 10: Port input (pull-up MOS: Off) 11: Port input (pull-up MOS: On)

Note: * The module that uses the pin can be selected by the bus-mode pins (MODE11 and MODE12). For the details on setting the bus mode pin, refer to the Appendix.

28.2.17 Port A Data Register (PADR)

PADR is an 8-bit readable/writable register that stores port A data.

Bit:	7	6	5	4	3	2	1	0
	PA7DT	PA6DT	PA5DT	PA4DT	PA3DT	PA2DT	PA1DT	PA0DT
Initial value:	0	0	0	0	0	0	0	0
R/W:	R/W	R/W	R/W	R/W	R/W	R/W	R/W	R/W

Bit	Bit Name	Initial Value	R/W	Description
7	PA7DT	0*	R/W	These bits store output data of a pin which is used as a general-purpose output port. When the pin functions as a general-purpose output port, reading the port will read out the value of the corresponding bit of this register. When the pin functions as a general-purpose input port, reading the port will read out the status of the corresponding pin.
6	PA6DT	0*	R/W	
5	PA5DT	0*	R/W	
4	PA4DT	0*	R/W	
3	PA3DT	0*	R/W	
2	PA2DT	0*	R/W	
1	PA1DT	0*	R/W	
0	PA0DT	0*	R/W	

Note: * When the bus mode is set to DU via the bus mode pins (MODE11 and MODE12), the pin is initially used as a general-purpose input, and the pin status is read from this register.

28.2.18 Port B Data Register (PBDR)

PBDR is an 8-bit readable/writable register that stores port B data.

Bit:	7	6	5	4	3	2	1	0
	PB7DT	PB6DT	PB5DT	PB4DT	PB3DT	PB2DT	PB1DT	PB0DT
Initial value:	0	0	0	0	0	0	0	0
R/W:	R/W	R/W	R/W	R/W	R/W	R/W	R/W	R/W

Bit	Bit Name	Initial Value	R/W	Description
7	PB7DT	0*	R/W	These bits store output data of a pin which is used as a general-purpose output port. When the pin functions as a general-purpose output port, reading the port will read out the value of the corresponding bit of this register.
6	PB6DT	0*	R/W	
5	PB5DT	0*	R/W	When the pin functions as a general-purpose input port, reading the port will read out the status of the corresponding pin.
4	PB4DT	0*	R/W	
3	PB3DT	0*	R/W	
2	PB2DT	0*	R/W	
1	PB1DT	0	R/W	
0	PB0DT	0	R/W	

Note: * When the bus mode is set to DU via the bus mode pins (MODE11 and MODE12), the pin is initially used as a general-purpose input, and the pin status is read from this register.

28.2.19 Port C Data Register (PCDR)

PCDR is an 8-bit readable/writable register that stores port C data.

Bit:	7	6	5	4	3	2	1	0
	PC7DT	PC6DT	PC5DT	PC4DT	PC3DT	PC2DT	PC1DT	PC0DT
Initial value:	0	0	0	0	0	0	0	0
R/W:	R/W	R/W	R/W	R/W	R/W	R/W	R/W	R/W

Bit	Bit Name	Initial value	R/W	Description
7	PC7DT	0	R/W	These bits store output data of a pin which is used as a general-purpose output port. When the pin functions as a general-purpose output port, reading the port will read out the value of the corresponding bit of this register. When the pin functions as a general-purpose input port, reading the port will read out the status of the corresponding pin.
6	PC6DT	0	R/W	
5	PC5DT	0	R/W	
4	PC4DT	0	R/W	
3	PC3DT	0	R/W	
2	PC2DT	0	R/W	
1	PC1DT	0	R/W	
0	PC0DT	0	R/W	

28.2.20 Port D Data Register (PDDR)

PDDR is an 8-bit readable/writable register that stores port D data.

Bit:	7	6	5	4	3	2	1	0
	PD7DT	PD6DT	PD5DT	PD4DT	PD3DT	PD2DT	PD1DT	PD0DT
Initial value:	0	0	0	0	0	0	0	0
R/W:	R/W	R/W	R/W	R/W	R/W	R/W	R/W	R/W

Bit	Bit Name	Initial value	R/W	Description
7	PD7DT	0	R/W	These bits store output data of a pin which is used as a general-purpose output port. When the pin functions as a general-purpose output port, reading the port will read out the value of the corresponding bit of this register. When the pin functions as a general-purpose input port, reading the port will read out the status of the corresponding pin.
6	PD6DT	0	R/W	
5	PD5DT	0	R/W	
4	PD4DT	0	R/W	
3	PD3DT	0	R/W	
2	PD2DT	0	R/W	
1	PD1DT	0	R/W	
0	PD0DT	0	R/W	

28.2.21 Port E Data Register (PEDR)

PEDR is an 8-bit readable/writable register that stores port E data.

Bit:	7	6	5	4	3	2	1	0
	—	—	PE5DT	PE4DT	PE3DT	PE2DT	PE1DT	PE0DT
Initial value:	0	0	0	0	x	0	0	x
R/W:	R/W	R/W	R/W	R/W	R/W	R/W	R/W	R/W

Bit	Bit Name	Initial value	R/W	Description
7 and 6	—	All 0	R/W	Reserved These bits are always read as 0, and the write value should always be 0.
5	PE5DT	0*	R/W	These bits store output data of a pin which is used as a general-purpose output port. When the pin functions as a general-purpose output port, reading the port will read out the value of the corresponding bit of this register.
4	PE4DT	0*	R/W	
3	PE3DT	Pin input	R/W	When the pin functions as a general-purpose input port, reading the port will read out the status of the corresponding pin.
2	PE2DT	0*	R/W	
1	PE1DT	0*	R/W	
0	PE0DT	Pin input	R/W	

Note: * When the bus mode is set to the local bus or DU via the bus mode pins (MODE11 and MODE12), the pin is initially used as a general-purpose input, and the pin status is read from this register.

28.2.22 Port F Data Register (PFDR)

PFDR is an 8-bit readable/writable register that stores port F data.

Bit:	7	6	5	4	3	2	1	0
	PF7DT	PF6DT	PF5DT	PF4DT	PF3DT	PF2DT	PF1DT	PF0DT
Initial value:	0	0	0	0	0	0	0	0
R/W:	R/W	R/W	R/W	R/W	R/W	R/W	R/W	R/W

Bit	Bit Name	Initial value	R/W	Description
7	PF7DT	0	R/W	These bits store output data of a pin which is used as a general-purpose output port. When the pin functions as a general-purpose output port, reading the port will read out the value of the corresponding bit of this register. When the pin functions as a general-purpose input port, reading the port will read out the status of the corresponding pin.
6	PF6DT	0	R/W	
5	PF5DT	0	R/W	
4	PF4DT	0	R/W	
3	PF3DT	0	R/W	
2	PF2DT	0	R/W	
1	PF1DT	0	R/W	
0	PF0DT	0	R/W	

28.2.23 Port G Data Register (PGDR)

PGDR is an 8-bit readable/writable register that stores port G data.

Bit:	7	6	5	4	3	2	1	0
	PG7DT	PG6DT	PG5DT	PG4DT	PG3DT	PG2DT	PG1DT	PG0DT
Initial value:	0	0	0	0	0	0	0	0
R/W:	R/W	R/W	R/W	R/W	R/W	R/W	R/W	R/W

Bit	Bit Name	Initial value	R/W	Description
7	PG7DT	0	R/W	These bits store output data of a pin which is used as a general-purpose output port. When the pin functions as a general-purpose output port, reading the port will read out the value of the corresponding bit of this register. When the pin functions as a general-purpose input port, reading the port will read out the status of the corresponding pin.
6	PG6DT	0	R/W	
5	PG5DT	0	R/W	
4	PG4DT	0	R/W	
3	PG3DT	0	R/W	
2	PG2DT	0	R/W	
1	PG1DT	0	R/W	
0	PG0DT	0	R/W	

28.2.24 Port H Data Register (PHDR)

PHDR is an 8-bit readable/writable register that stores port H data.

Bit:	7	6	5	4	3	2	1	0
	PH7DT	PH6DT	PH5DT	PH4DT	PH3DT	PH2DT	PH1DT	PH0DT
Initial value:	x	x	x	x	x	x	x	x
R/W:	R/W	R/W	R/W	R/W	R/W	R/W	R/W	R/W

Bit	Bit Name	Initial value	R/W	Description
7	PH7DT	Pin input	R/W	These bits store output data of a pin which is used as a general-purpose output port. When the pin functions as a general-purpose output port, reading the port will read out the value of the corresponding bit of this register. When the pin functions as a general-purpose input port, reading the port will read out the status of the corresponding pin.
6	PH6DT	Pin input	R/W	
5	PH5DT	Pin input	R/W	
4	PH4DT	Pin input	R/W	
3	PH3DT	Pin input	R/W	
2	PH2DT	Pin input	R/W	
1	PH1DT	Pin input	R/W	
0	PH0DT	Pin input	R/W	

28.2.25 Port J Data Register (PJDR)

PJDR is an 8-bit readable/writable register that stores port J data.

Bit:	7	6	5	4	3	2	1	0
	PJ7DT	PJ6DT	PJ5DT	PJ4DT	PJ3DT	PJ2DT	PJ1DT	PJ0DT
Initial value:	x	x	x	x	x	x	x	x
R/W:	R/W	R/W	R/W	R/W	R/W	R/W	R/W	R/W

Bit	Bit Name	Initial value	R/W	Description
7	PJ7DT	Pin input	R/W	These bits store output data of a pin which is used as a general-purpose output port. When the pin functions as a general-purpose output port, reading the port will read out the value of the corresponding bit of this register. When the pin functions as a general-purpose input port, reading the port will read out the status of the corresponding pin.
6	PJ6DT	Pin input	R/W	
5	PJ5DT	Pin input	R/W	
4	PJ4DT	Pin input	R/W	
3	PJ3DT	Pin input	R/W	
2	PJ2DT	Pin input	R/W	
1	PJ1DT	Pin input	R/W	
0	PJ0DT	Pin input	R/W	

28.2.26 Port K Data Register (PKDR)

PKDR is an 8-bit readable/writable register that stores port K data.

Bit:	7	6	5	4	3	2	1	0
	PK7DT	PK6DT	PK5DT	PK4DT	PK3DT	PK2DT	PK1DT	PK0DT
Initial value:	0	0	x	x	x	x	x	x
R/W:	R/W	R/W	R/W	R/W	R/W	R/W	R/W	R/W

Bit	Bit Name	Initial value	R/W	Description
7	PK7DT	0	R/W	These bits store output data of a pin which is used as a general-purpose output port. When the pin functions as a general-purpose output port, reading the port will read out the value of the corresponding bit of this register.
6	PK6DT	0	R/W	
5	PK5DT	Pin input	R/W	When the pin functions as a general-purpose input port, reading the port will read out the status of the corresponding pin.
4	PK4DT	Pin input	R/W	
3	PK3DT	Pin input	R/W	
2	PK2DT	Pin input	R/W	
1	PK1DT	Pin input	R/W	
0	PK0DT	Pin input	R/W	

28.2.27 Port L Data Register (PLDR)

PLDR is an 8-bit readable/writable register that stores port L data.

Bit:	7	6	5	4	3	2	1	0
	PL7DT	PL6DT	PL5DT	PL4DT	PL3DT	PL2DT	PL1DT	PL0DT
Initial value:	x	x	x	x	x	x	x	x
R/W:	R/W	R/W	R/W	R/W	R/W	R/W	R/W	R/W

Bit	Bit Name	Initial value	R/W	Description
7	PL7DT	Pin input	R/W	These bits store output data of a pin which is used as a general-purpose output port. When the pin functions as a general-purpose output port, reading the port will read out the value of the corresponding bit of this register. When the pin functions as a general-purpose input port, reading the port will read out the status of the corresponding pin.
6	PL6DT	Pin input	R/W	
5	PL5DT	Pin input	R/W	
4	PL4DT	Pin input	R/W	
3	PL3DT	Pin input	R/W	
2	PL2DT	Pin input	R/W	
1	PL1DT	Pin input	R/W	
0	PL0DT	Pin input	R/W	

28.2.28 Port M Data Register (PMDR)

PMDR is an 8-bit readable/writable register that stores port M data.

Bit:	7	6	5	4	3	2	1	0
	—	—	—	—	—	—	PM1DT	PM0DT
Initial value:	0	0	0	0	0	0	0	0
R/W:	R/W	R/W	R/W	R/W	R/W	R/W	R/W	R/W

Bit	Bit Name	Initial value	R/W	Description
7 to 2	—	All 0	R/W	Reserved These bits are always read as 0, and the write value should always be 0.
1	PM1DT	0	R/W	These bits store output data of a pin which is used as a general-purpose output port. When the pin functions as a general-purpose output port, reading the port will read out the value of the corresponding bit of this register.
0	PM0DT	0	R/W	When the pin functions as a general-purpose input port, reading the port will read out the status of the corresponding pin.

28.2.29 Port N Data Register (PNDR)

PNDR is an 8-bit readable/writable register that stores port N data.

Bit:	7	6	5	4	3	2	1	0
	PN7DT	PN6DT	PN5DT	PN4DT	PN3DT	PN2DT	PN1DT	PN0DT
Initial value:	x	x	0	0	0	0	0	0
R/W:	R/W	R/W	R/W	R/W	R/W	R/W	R/W	R/W

Bit	Bit Name	Initial value	R/W	Description
7	PN7DT	Pin input	R/W	These bits store output data of a pin which is used as a general-purpose output port. When the pin functions as a general-purpose output port, reading the port will read out the value of the corresponding bit of this register. When the pin functions as a general-purpose input port, reading the port will read out the status of the corresponding pin.
6	PN6DT	Pin input	R/W	
5	PN5DT	0	R/W	
4	PN4DT	0	R/W	
3	PN3DT	0	R/W	
2	PN2DT	0	R/W	
1	PN1DT	0	R/W	
0	PN0DT	0	R/W	

28.2.30 Port P Data Register (PPDR)

PPDR is an 8-bit readable/writable register that stores port P data.

Bit:	7	6	5	4	3	2	1	0
	—	—	PP5DT	PP4DT	PP3DT	PP2DT	PP1DT	PP0DT
Initial value:	0	0	0	0	0	0	0	0
R/W:	R/W	R/W	R/W	R/W	R/W	R/W	R/W	R/W

Bit	Bit Name	Initial value	R/W	Description
7 and 6	—	All 0	R/W	Reserved These bits are always read as 0, and the write value should always be 0.
5	PP5DT	0*	R/W	These bits store output data of a pin which is used as a general-purpose output port. When the pin functions as a general-purpose output port, reading the port will read out the value of the corresponding bit of this register. When the pin functions as a general-purpose input port, reading the port will read out the status of the corresponding pin.
4	PP4DT	0*	R/W	
3	PP3DT	0*	R/W	
2	PP2DT	0*	R/W	
1	PP1DT	0*	R/W	
0	PP0DT	0*	R/W	

Note: * When the bus mode is set to the local bus via the bus mode pins (MODE11 and MODE12), the pin is initially used as a general-purpose input, and the pin status is read from this register.

28.2.31 Port Q Data Register (PQDR)

PQDR is an 8-bit readable/writable register that stores port Q data.

Bit:	7	6	5	4	3	2	1	0
	—	—	—	PQ4DT	PQ3DT	PQ2DT	PQ1DT	PQ0DT
Initial value:	0	0	0	0	0	0	0	0
R/W:	R/W	R/W	R/W	R/W	R/W	R/W	R/W	R/W

Bit	Bit Name	Initial value	R/W	Description
7 to 5	—	All 0	R/W	Reserved These bits are always read as 0, and the write value should always be 0.
4	PQ4DT	0*	R/W	These bits store output data of a pin which is used as a general-purpose output port. When the pin functions as a general-purpose output port, reading the port will read out the value of the corresponding bit of this register.
3	PQ3DT	0*	R/W	
2	PQ2DT	0*	R/W	
1	PQ1DT	0*	R/W	
0	PQ0DT	0*	R/W	

Note: * When the bus mode is set to the local bus or DU via the bus mode pins (MODE11 and MODE12), the pin is initially used as a general-purpose input, and the pin status is read from this register.

28.2.32 Port R Data Register (PRDR)

PRDR is an 8-bit readable/writable register that stores port R data.

Bit:	7	6	5	4	3	2	1	0
	—	—	—	—	PR3DT	PR2DT	PR1DT	PR0DT
Initial value:	0	0	0	0	0	0	0	0
R/W:	R/W	R/W	R/W	R/W	R/W	R/W	R/W	R/W

Bit	Bit Name	Initial value	R/W	Description
7 to 4	—	All 0	R/W	Reserved These bits are always read as 0, and the write value should always be 0.
3	PR3DT	0*	R/W	These bits store output data of a pin which is used as a general-purpose output port. When the pin functions as a general-purpose output port, reading the port will read out the value of the corresponding bit of this register.
2	PR2DT	0*	R/W	
1	PR1DT	0*	R/W	
0	PR0DT	0*	R/W	When the pin functions as a general-purpose input port, reading the port will read out the status of the corresponding pin.

Note: * When the bus mode is set to DU by the bus mode pins (MODE11 and MODE12), the pin is initially used as a general-purpose input, and the pin status is read from this register.

28.2.33 Port E Pull-Up Control Register (PEPUPR)

PEPUPR is an 8-bit readable/writable register that performs the pull-up control for each of the port E3 and E0 (PE3 and PE0) pins when the pins are used by peripheral modules. When the port E pins are used by the GPIO, the setting for this register is ignored.

Bit:	7	6	5	4	3	2	1	0
	—	—	—	—	PE3 PUPR	—	—	PE0 PUPR
Initial value:	1	1	1	1	1	1	1	1
R/W:	R/W	R/W	R/W	R/W	R/W	R/W	R/W	R/W

Bit	Bit Name	Initial value	R/W	Description
7 to 4	—	All 1	R/W	Reserved These bits are always read as 1, and the write value should always be 1.
3	PE3PUPR	1	R/W	Pull-up of the Port E3 pin can be controlled independently. 0: PE3 pull-up off 1: PE3 pull-up on
2 and 1	—	All 1	R/W	Reserved These bits are always read as 1, and the write value should always be 1.
0	PE0PUPR	1	R/W	Pull-up of the Port E0 pin can be controlled independently. 0: PE0 pull-up off 1: PE0 pull-up on

28.2.34 Port H Pull-Up Control Register (PHPUPR)

PHPUPR is an 8-bit readable/writable register that performs the pull-up control for each of the port H7 to H0 (PH7 to PH0) pins when the port H pins are used by peripheral modules. When the port H pins are used by the GPIO, the setting for this register is ignored.

Bit:	7	6	5	4	3	2	1	0
	PH7 PUPR	PH6 PUPR	PH5 PUPR	PH4 PUPR	PH3 PUPR	PH2 PUPR	PH1 PUPR	PH0 PUPR
Initial value:	1	1	1	1	1	1	1	1
R/W:	R/W	R/W	R/W	R/W	R/W	R/W	R/W	R/W

Bit	Bit Name	Initial value	R/W	Description
7	PH7PUPR	1	R/W	Pull-up of each Port H pin can be controlled independently. 0: PHn pull-up off 1: PHn pull-up on
6	PH6PUPR	1	R/W	
5	PH5PUPR	1	R/W	
4	PH4PUPR	1	R/W	
3	PH3PUPR	1	R/W	
2	PH2PUPR	1	R/W	
1	PH1PUPR	1	R/W	
0	PH0PUPR	1	R/W	

Note: n = 7 to 0

28.2.35 Port J Pull-Up Control Register (PJPUPR)

PJPUPR is an 8-bit readable/writable register that performs the pull-up control for each of the port J7 to J0 (PJ7 to PJ0) pins when the port J pins are used by peripheral modules. When the port J pins are used by the GPIO, the setting for this register is ignored.

Bit:	7	6	5	4	3	2	1	0
	PJ7 PUPR	PJ6 PUPR	PJ5 PUPR	PJ4 PUPR	PJ3 PUPR	PJ2 PUPR	PJ1 PUPR	PJ0 PUPR
Initial value:	1	1	1	1	1	1	1	1
R/W:	R/W	R/W	R/W	R/W	R/W	R/W	R/W	R/W

Bit	Bit Name	Initial value	R/W	Description
7	PJ7PUPR	1	R/W	Pull-up of each Port J pin can be controlled independently. 0: PJn pull-up off 1: PJn pull-up on
6	PJ6PUPR	1	R/W	
5	PJ5PUPR	1	R/W	
4	PJ4PUPR	1	R/W	
3	PJ3PUPR	1	R/W	
2	PJ2PUPR	1	R/W	
1	PJ1PUPR	1	R/W	
0	PJ0PUPR	1	R/W	

Note: n = 7 to 0

28.2.36 Port K Pull-Up Control Register (PKPUPR)

PKPUPR is an 8-bit readable/writable register that performs the pull-up control for each of the port K7 to K0 (PK7 to PK0) pins when the port K pins are used by peripheral modules. When the port K pins are used by the GPIO, the setting for this register is ignored.

Bit:	7	6	5	4	3	2	1	0
	PK7 PUPR	PK6 PUPR	PK5 PUPR	PK4 PUPR	PK3 PUPR	PK2 PUPR	PK1 PUPR	PK0 PUPR
Initial value:	1	1	1	1	1	1	1	1
R/W:	R/W	R/W	R/W	R/W	R/W	R/W	R/W	R/W

Bit	Bit Name	Initial value	R/W	Description
7	PK7PUPR	1	R/W	Pull-up of each Port K pin can be controlled independently. 0: PKn pull-up off 1: PKn pull-up on
6	PK6PUPR	1	R/W	
5	PK5PUPR	1	R/W	
4	PK4PUPR	1	R/W	
3	PK3PUPR	1	R/W	
2	PK2PUPR	1	R/W	
1	PK1PUPR	1	R/W	
0	PK0PUPR	1	R/W	

Note: n = 7 to 0

28.2.37 Port L Pull-Up Control Register (PLPUPR)

PLPUPR is an 8-bit readable/writable register that performs the pull-up control for each of the port L7 to L0 (PL7 to PL0) pins when the port L pins are used by peripheral modules. When the port L pins are used by the GPIO, the setting for this register is ignored.

Bit:	7	6	5	4	3	2	1	0
	PL7 PUPR	PL6 PUPR	PL5 PUPR	PL4 PUPR	PL3 PUPR	PL2 PUPR	PL1 PUPR	PL0 PUPR
Initial value:	1	1	1	1	1	1	1	1
R/W:	R/W	R/W	R/W	R/W	R/W	R/W	R/W	R/W

Bit	Bit Name	Initial value	R/W	Description
7	PL7PUPR	1	R/W	Pull-up of each Port L pin can be controlled independently. 0: PLn pull-up off 1: PLn pull-up on
6	PL6PUPR	1	R/W	
5	PL5PUPR	1	R/W	
4	PL4PUPR	1	R/W	
3	PL3PUPR	1	R/W	
2	PL2PUPR	1	R/W	
1	PL1PUPR	1	R/W	
0	PL0PUPR	1	R/W	

Note: n = 7 to 0

28.2.38 Port M Pull-Up Control Register (PMPUPR)

PMPUPR is an 8-bit readable/writable register that performs the pull-up control for each of the port M1 and M0 (PM1 to PM0) pins when the port M pins are used by peripheral modules. When the port M pins are used by the GPIO, the setting for this register is ignored.

Bit:	7	6	5	4	3	2	1	0
	—	—	—	—	—	—	PM1 PUPR	PM0 PUPR
Initial value:	1	1	1	1	1	1	1	1
R/W:	R/W	R/W	R/W	R/W	R/W	R/W	R/W	R/W

Bit	Bit Name	Initial value	R/W	Description
7 to 2	—	All 1	R/W	Reserved These bits are always read as 1, and the write value should always be 1.
1	PM1PUPR	1	R/W	Pull-up of each Port M pin can be controlled independently.
0	PM0PUPR	1	R/W	0: PMn pull-up off 1: PMn pull-up on

Note: n = 1 to 0

28.2.39 Port N Pull-Up Control Register (PNPUPR)

PNPUPR is an 8-bit readable/writable register that performs the pull-up control for each of the port N7 to N0 (PN7 to PN0) pins when the port N pins are used by peripheral modules. When the port N pins are used by the GPIO, the setting for this register is ignored.

Bit:	7	6	5	4	3	2	1	0
	PN7 PUPR	PN6 PUPR	PN5 PUPR	PN4 PUPR	PN3 PUPR	PN2 PUPR	PN1 PUPR	PN0 PUPR
Initial value:	1	1	1	1	1	1	1	1
R/W:	R/W	R/W	R/W	R/W	R/W	R/W	R/W	R/W

Bit	Bit Name	Initial value	R/W	Description
7	PN7PUPR	1	R/W	Pull-up of each Port N pin can be controlled independently. 0: PNn pull-up off 1: PNn pull-up on
6	PN6PUPR	1	R/W	
5	PN5PUPR	1	R/W	
4	PN4PUPR	1	R/W	
3	PN3PUPR	1	R/W	
2	PN2PUPR	1	R/W	
1	PN1PUPR	1	R/W	
0	PN0PUPR	1	R/W	

Note: n = 7 to 0

28.2.40 Input-Pin Pull-Up Control Register 1 (PPUPR1)

PPUPR1 is a 16-bit readable/writable register that performs the pull-up control for the pin corresponding to each bit of the register field.

Bit:	15	14	13	12	11	10	9	8	7	6	5	4	3	2	1	0
	—	—	—	—	—	—	—	—	—	—	—	—	—	RDY PUP	—	—
Initial value:	1	1	1	1	1	1	1	1	1	1	1	1	1	1	1	1
R/W:	R/W	R/W	R/W	R/W	R/W	R/W	R/W	R/W	R/W	R/W	R/W	R/W	R/W	R/W	R/W	R/W

Bit	Bit Name	Initial value	R/W	Description
15 to 3	—	All 1	R/W	Reserved These bits are always read as 1, and the write value should always be 1.
2	RDYPUP	1	R/W	Controls pull-up of the $\overline{\text{RDY}}$ pin 0: $\overline{\text{RDY}}$ pull-up off 1: $\overline{\text{RDY}}$ pull-up on
1 and 0	—	All 1	R/W	Reserved These bits are always read as 1, and the write value should always be 1.

28.2.41 Input-Pin Pull-Up Control Register 2 (PPUPR2)

PPUPR2 is a 16-bit readable/writable register that performs the pull-up control for the pin corresponding to each bit of the register field.

Bit:	15	14	13	12	11	10	9	8	7	6	5	4	3	2	1	0
	—	—	—	—	—	—	—	—	SIOF UP1	SIOF UP0	CLK PUP	NMI PUP	IRL3 PUP	IRL2 PUP	IRL1 PUP	IRL0 PUP
Initial value:	1	1	1	1	1	1	1	1	1	1	1	1	1	1	1	1
R/W:	R/W	R/W	R/W	R/W	R/W	R/W	R/W	R/W	R/W	R/W	R/W	R/W	R/W	R/W	R/W	R/W

Bit	Bit Name	Initial value	R/W	Description
15 to 8	—	All 1	R/W	Reserved These bits are always read as 1, and the write value should always be 1.
7	SIOFUP1	1	R/W	Controls pull-up of the MODE6/SIOF_MCLK pin 0: MODE6/SIOF_MCLK pull-up off 1: MODE6/SIOF_MCLK pull-up on*
6	SIOFUP0	1	R/W	Controls pull-up of the MODE5/SIOF_SYNC pin 0: MODE5/SIOF_SYNC pull-up off 1: MODE5/SIOF_SYNC pull-up on*
5	CLKPUP	1	R/W	Controls pull-up of the SCIF2_RXD/SIOF_RXD pin 0: SCIF2_RXD/SIOF_RXD pull-up off 1: SCIF2_RXD/SIOF_RXD pull-up on
4	NMIPUP	1	R/W	Controls pull-up of the NMI pin 0: NMI pull-up off 1: NMI pull-up on
3	IRL3PUP	1	R/W	Controls pull-up of the $\overline{\text{IRL3}}$ pin 0: $\overline{\text{IRL3}}$ pull-up off 1: $\overline{\text{IRL3}}$ pull-up on
2	IRL2PUP	1	R/W	Controls pull-up of the $\overline{\text{IRL2}}$ pin 0: $\overline{\text{IRL2}}$ pull-up off 1: $\overline{\text{IRL2}}$ pull-up on
1	IRL1PUP	1	R/W	Controls pull-up of the $\overline{\text{IRL1}}$ pin 0: $\overline{\text{IRL1}}$ pull-up off 1: $\overline{\text{IRL1}}$ pull-up on
0	IRL0PUP	1	R/W	Controls pull-up of the $\overline{\text{IRL0}}$ pin 0: $\overline{\text{IRL0}}$ pull-up off 1: $\overline{\text{IRL0}}$ pull-up on

Note: * The pull-up MOS of this pin cannot be used for MODE pin setting during power-on reset by the $\overline{\text{PRESET}}$ pin. (The pull-up MOS is turned off during power-on reset by the $\overline{\text{PRESET}}$ pin.)

28.2.42 Peripheral Module Select Register 1 (P1MSELR)

P1MSELR is a 16-bit readable/writable register. This register can be used to select the module that uses multiplexed pins. For details of pin multiplexing, see table 28.1.

This register is valid only when peripheral modules are selected by PACR to PHCR, PJCR to PNCR, PPCR to PRCR of the GPIO.

Bit:	15	14	13	12	11	10	9	8	7	6	5	4	3	2	1	0
	P1M SEL15	P1M SEL14	P1M SEL13	P1M SEL12	P1M SEL11	P1M SEL10	P1M SEL9	P1M SEL8	P1M SEL7	P1M SEL6	P1M SEL5	P1M SEL4	P1M SEL3	P1M SEL2	P1M SEL1	P1M SEL0
Initial value:	0	0	0	0	0	0	0	0	0	0	0	0	0	0	0	0
R/W:	R/W	R/W	R/W	R/W	R/W	R/W	R/W	R/W	R/W	R/W	R/W	R/W	R/W	R/W	R/W	R/W

Bit	Bit Name	Initial value	R/W	Description
15	P1MSEL15	0	R/W	Out of the modules STATUS and DMAC, selects the one which uses the pins STATUS0/DRAK0 and STATUS1/DRAK1. 0: STATUS 1: DMAC
14	P1MSEL14	0	R/W	Out of the modules INTC and FLCTL, selects the one which uses the pins MODE3 to MODE0/IRL7 to IRL4/FD7 to FD4. 0: INTC 1: FLCTL At power-on reset by the PRESET pin, MODE3 to MODE0 are selected.
13	P1MSEL13	0	R/W	Out of the modules DMAC and PCIC, selects the one which uses the pins DREQ2/INTB and DREQ3/INTC. 0: DMAC 1: PCIC

Bit	Bit Name	Initial value	R/W	Description
12	PMSEL12	0	R/W	Out of the modules DMAC, SCIF[2], MMCIF, and SIOF, selects the one uses the pins DACK3/SCIF2_SCK/MMCDAT/SIOF_SCK and DACK2/SCIF2_TXD/MMCCMD/SIOF_TXD. 00: DMAC 01: SIOF* 10: SCIF[2] 11: MMCIF
11	PMSEL11	0	R/W	
10	P1MSEL10	0	R/W	Out of the modules DMAC and LBSC, selects the one which uses the pins MODE12/DRAK3/CE2B and DRAK2/CE2A. 0: DMAC 1: LBSC At power-on reset by the $\overline{\text{PRESET}}$ pin, MODE12 is selected.
9	PMSEL9	0	R/W	Out of the modules TMU and LBSC, selects the one which uses the MODE13/TCLK/IOIS16 pin. 0: TMU 1: LBSC At power-on reset by the $\overline{\text{PRESET}}$ pin, MODE13 is selected.
8	P1MSEL8	0	R/W	Out of the modules SCIF[0], HSPI, and FLCTL, selects the one which uses the pins SCIF0_TXD/HSPI_TX/ $\overline{\text{FWE}}$, SCIF0_RXD/HSPI_RX/FRB, SCIF0_SCK/HSPI_CLK/FRE, SCIF0_RTS/HSPI_CS/ $\overline{\text{FSE}}$, and SCIF0_CTS/INTD/FCE. 00: SCIF0 01: HSPI, PCIC 10: FLCTL 11: SCIF0, PCIC When 11 is selected, the $\overline{\text{SCIF0_CTS/INTD/FCE}}$ pin is used as the PCIC pin.
7	P1MSEL7	0	R/W	

Bit	Bit Name	Initial value	R/W	Description
6	P1MSEL6	0	R/W	Out of the modules SCIF[2] and SIOF, selects the one using the pin SCIF2_RXD/SIOF_RXD.
5	P1MSEL5	0	R/W	00: SCIF[2] 01: Setting prohibited 10: SIOF* 11: Setting prohibited
4	PMSEL4	0	R/W	Out of the modules SIOF, HAC, SSI[0], selects the one which uses the pins
3	PMSEL3	0	R/W	SIOF_SCK/HAC0_BITCLK/SSIO_CLK, SIOF_MCLK/HAC_RES, SIOF_SYNC/HAC0_SYNC/SSIO_WS, SIOF_RXD/HAC0_SDIN/SSIO_SCK, and SIOF_TXD/HAC0_SDOUT/SSIO_SDATA. 00: SIOF* 01: HAC 10: SSI[0] 11: Setting prohibited When 10 is selected, the SIOF_MCLK/HAC_RES pin is used as HAC_RES.
2	P1MSEL2	0	R/W	Out of the modules SCIF[5], HAC[1], SSI[1], selects the one which uses the pins
1	P1MSEL1	0	R/W	HAC1_BITCLK/SSI1_CLK, SCIF5_TXD/HAC1_SYNC/SSI1_WS, SCIF5_RXD/HAC1_SDIN/SSI1_SCK, and SCIF5_SCK/HAC1_SDOUT/SSI1_SDATA. 00: SCIF[5] 01: HAC[1] 10: SSI[1] 11: Setting prohibited When 00 is selected, the HAC1_BITCLK/SSI1_CLK pin is used as HAC1_BITCLK.

Bit	Bit Name	Initial value	R/W	Description
0	P1MSEL0	0	R/W	<p>Out of the modules SCIF[3] and SCIF[4], and FLCTL, selects the one which uses the pins MODE4/SCIF3_TXD/FCLE, MODE7/SCIF3_RXD/FALE, MODE8/SCIF3_SCK/FD0, MODE9/SCIF4_TXD/FD1, MODE10/SCIF4_RXD/FD2, and MODE11/SCIF4_SCK/FD3.</p> <p>0: SCIF[3] and SCIF[4] 1: FLCTL</p> <p>At power-on reset by the $\overline{\text{PRESET}}$ pin, MODE4 and MODE7 to MODE11 are selected.</p>

Note: * When using the SIOF, SIOF selection of P1MSEL4 and P1MSEL3 and that of P1MSEL12 and P1MSEL11 and P1MSEL6 and P1MSEL5 must be specified without contradiction. The settings of the registers when the SIOF is used are shown in the following: Correct operation of the SIOF cannot be guaranteed by the settings other than the following.

Register Bit Name	When the Following SIOF Pin Groups Are Used:	When the Following SIOF Pin Groups Are Used:
	SIOF_SCK/HAC0_BITCLK/SSIO_CLK SIOF_MCLK/HAC_FRES SIOF_SYNC/HAC0_SYNC/SSIO_WS SIOF_RXD/HAC0_SDIN/SSIO_SCK SIOF_TXD/HAC0_SDOUT/SSIO_SDATA	$\overline{\text{DACK3}}$ /SCIF2_SCK/MMCDAT/SIOF_SCK $\overline{\text{DACK2}}$ /SCIF2_TXD/MMCCMD/SIOF_TXD SCIF2_RXD/SIOF_RXD MODE5/SIOF_MCLK MODE6/SIOF_SYNC
P1MSEL4, 3	B'00 is set.	Other than B'00 is set.
P1MSEL12, 11	Other than B'01 is set.	B'01 is set.
P1MSEL6, 5	Other than B'10 is set.	B'10 is set.
P1MSEL1	B'0 is set.	B'1 is set.

28.2.43 Peripheral Module Select Register 2 (P2MSELR)

P2MSELR is a 16-bit readable/writable register. This register can be used to select the module that uses multiplexed pins. For details of pin multiplexing, see table 28.1.

This register is valid only when peripheral modules are selected by PACR to PHCR, PJCR to PNCR, PPCR to PRCR of the GPIO.

Bit:	15	14	13	12	11	10	9	8	7	6	5	4	3	2	1	0
	—	—	—	—	—	—	—	—	—	—	—	—	—	P2M SEL2	P2M SEL1	P2M SEL0
Initial value:	0	0	0	0	0	0	0	0	0	0	0	0	0	0	0	0
R/W:	R/W	R/W	R/W	R/W	R/W	R/W	R/W	R/W	R/W	R/W	R/W	R/W	R/W	R/W	R/W	R/W

Bit	Bit Name	Initial value	R/W	Description
15 to 3	—	All 0	R/W	Reserved These bits are always read as 0, and the write value should always be 0.
2	P2MSEL2	0	R/W	Out of the modules RESET and INTC, selects the one which uses the pin MRESETOUT/IRQOUT. 0: Selects RESET 1: Selects INTC
1	P2MSEL1	0	R/W	Selects the pin group used by the SIOF. 0: Uses the SIOF pin selected by P1MSEL4 and 3. (SIOF_SCK/HAC0_BITCLK/SSIO_CLK, SIOF_MCLK/HAC_RES, SIOF_SYNC/HAC0_SYNC/SSIO_WS, SIOF_RXD/HAC0_SDIN/SSIO_SCK, SIOF_TXD/HAC0_SDOUT/SSIO_SDATA) 1: Uses the SIOF pin selected by P1MSEL12, 11, and P1MSEL6 and 5. ($\overline{\text{DACK3}}$ /SCIF2_SCK/MMCDATA/SIOF_SCK, $\overline{\text{DACK2}}$ /SCIF2_TXD/MMCCMD/SIOF_TXD, SCIF2_RXD/SIOF_RXD, MODE5/SIOF_MCLK*, MODE6/SIOF_SYNC*) Note: At power-on reset by the $\overline{\text{PRESET}}$ pin, MODE5 and MODE6 are selected.
0	P2MSEL0	0	R/W	Out of the modules PCIC and MMCIF, selects the one which uses the pins $\overline{\text{REQ3}}$ and $\overline{\text{GNT3}}$ /MMCCLK. 0: PCIC 1: MMCIF When 1 is selected, the $\overline{\text{REQ3}}$ pin is determined as unused pin. Accordingly, set bit 3 (PE3PUPR) of the port E pull-up control register to B'1.

28.3 Usage Example

Setting procedure examples are described below.

28.3.1 Port Output Function

To output the data of port data registers (PADR to PRDR) from the GPIO output port, write B'01 to the corresponding two bits in port control registers (PACR to PRCR).

In this case, for each output port, the settings of the port pull-up control registers (PEPUPR, PHPUPR, PJPUPR, PKPUPR, PLPUPR, PMPUPR, and PNPUPR), peripheral module select register 1 (P1MSELR), peripheral module select register 2 (P2MSELR), and bus mode pin (MODE11 and MODE12) are invalid.

Figure 28.1 shows an example of operation timing diagram when port A is used as an output port.

The output data is written to port data registers (PADR to PRDR) and then the data is output via the corresponding port pins after one peripheral clock (Pck).

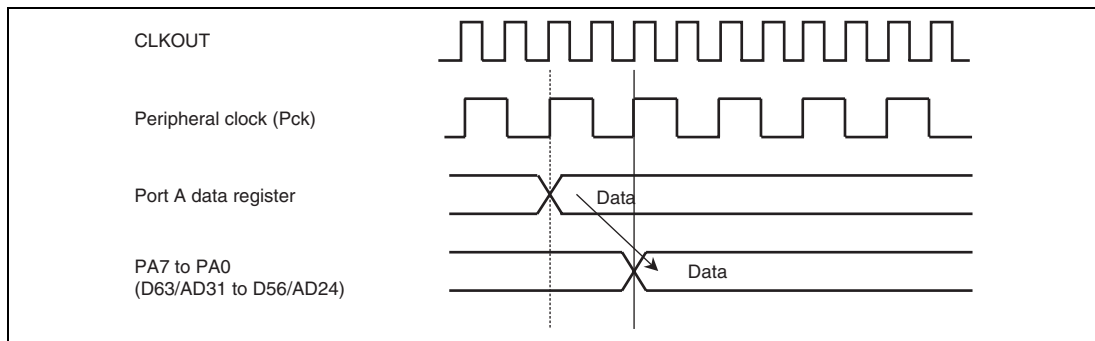


Figure 28.1 Port A Data Output Timing Diagram

28.3.2 Port Input function

To input the data via the GPIO port, write B'10 or B'11 to the corresponding two bits in port control registers (PACR to PRCR). B'10 should be written when the pull-up MOS is off, and B'11 when the pull-up MOS is on. The input data to each port can be read out from the corresponding bit in port data registers (PADR to PRCR).

In this case, for each input port, the settings of port pull-up control registers (PEPUPR, PHPUPR, PJPUPR, PKPUPR, PLPUPR, PMPUPR, and PNPUPR), peripheral module select register 1 (P1MSELR), peripheral module select register 2 (P2MSELR), and bus-mode pin (MODE11 and MODE12) are invalid.

Figure 28.2 shows an example of operation timing diagram when port A is used as an input port.

The input data from each port can be read out from corresponding port data register after the 2nd rising edge of the peripheral clock (Pck).

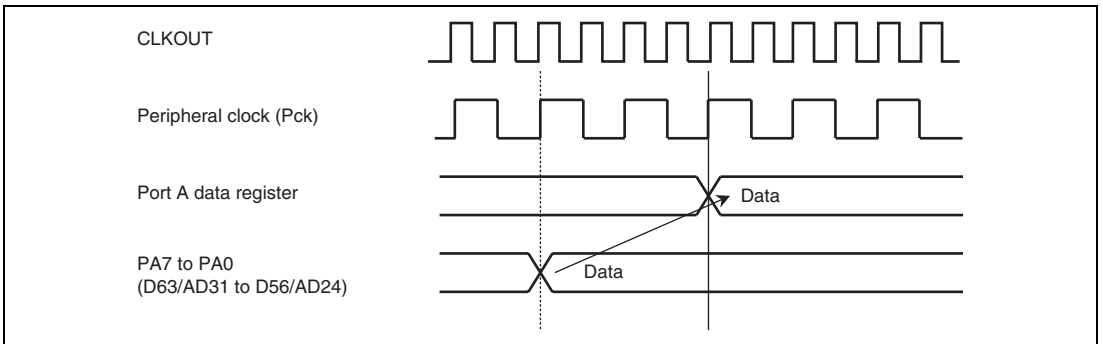


Figure 28.2 Port A Data Input Timing Diagram

28.3.3 Peripheral Module Function

The procedures for setting the peripheral module function are described below.

1. Select the peripheral module by using the peripheral module select register 1 (P1MSELR) and peripheral module select register 2 (P2MSELR).
2. When an input or input/output pin is used, it is necessary to set the pull-up MOS for each pin by using the port pull-up control registers (PEPUPR, PHPUPR, PJPUPR, PKPUPR, PLPUPR, PMPUPR, and PNPUPR). Write B'0 (when the pull-up MOS is off) or B'1 (when the pull-up MOS is on) to the corresponding bit. When an output port is used, the pull-up MOS is off regardless of the settings of the port pull-up control registers.
3. Write B'00 to the corresponding two bits in the port control registers (PACR to PRCR).

Section 29 User Break Controller (UBC)

The user break controller (UBC) provides versatile functions to facilitate program debugging. These functions help to ease creation of a self-monitor/debugger, which allows easy program debugging using this LSI alone, without using the in-circuit emulator. Various break conditions can be set in the UBC: instruction fetch or read/write access of an operand, operand size, data contents, address value, and program stop timing for instruction fetch.

29.1 Features

1. The following break conditions can be set.

Break channels: Two (channels 0 and 1)

User break conditions can be set independently for channels 0 and 1, and can also be set as a single sequential condition for the two channels, that is, a sequential break. (Sequential break involves two cases such that the channel 0 break condition is satisfied in a certain bus cycle and then the channel 1 break condition is satisfied in a different bus cycle, and vice versa.)

- Address

When 40 bits containing ASID and 32-bit address are compared with the specified value, all the ASID bits can be compared or masked.

32-bit address can be masked bit by bit, allowing the user to mask the address in desired page sizes such as lower 12 bits (4-Kbyte page) and lower 10 bits (1-Kbyte page).

- Data

32 bits can be masked only for channel 1.

- Bus cycle

The program can break either for instruction fetch (PC break) or operand access.

- Read or write access

- Operand sizes

Byte, word, longword, and quadword are supported.

2. The user-designated exception handling routine for the user break condition can be executed.
3. Pre-instruction-execution or post-instruction-execution can be selected as the PC break timing.
4. A maximum of $2^{12} - 1$ repetition counts can be specified as the break condition (available only for channel 1).

Figure 29.1 shows the UBC block diagram.

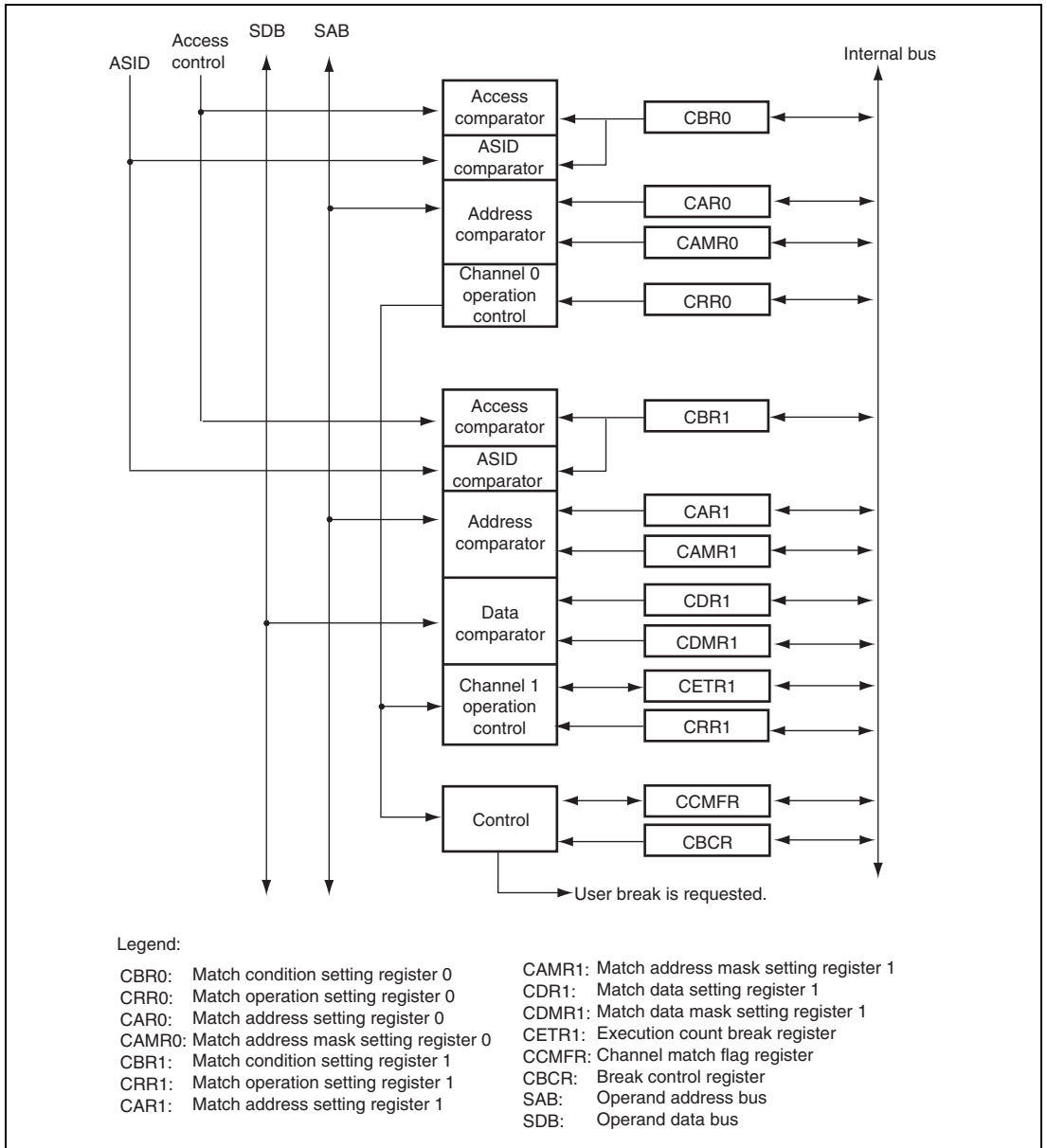


Figure 29.1 Block Diagram of UBC

29.2 Register Descriptions

The UBC has the following registers.

Table 29.1 Register Configuration

Name	Abbreviation	R/W	P4 Address*	Area 7 Address*	Access Size
Match condition setting register 0	CBR0	R/W	H'FF200000	H'1F200000	32
Match operation setting register 0	CRR0	R/W	H'FF200004	H'1F200004	32
Match address setting register 0	CAR0	R/W	H'FF200008	H'1F200008	32
Match address mask setting register 0	CAMR0	R/W	H'FF20000C	H'1F20000C	32
Match condition setting register 1	CBR1	R/W	H'FF200020	H'1F200020	32
Match operation setting register 1	CRR1	R/W	H'FF200024	H'1F200024	32
Match address setting register 1	CAR1	R/W	H'FF200028	H'1F200028	32
Match address mask setting register 1	CAMR1	R/W	H'FF20002C	H'1F20002C	32
Match data setting register 1	CDR1	R/W	H'FF200030	H'1F200030	32
Match data mask setting register 1	CDMR1	R/W	H'FF200034	H'1F200034	32
Execution count break register 1	CETR1	R/W	H'FF200038	H'1F200038	32
Channel match flag register	CCMFR	R/W	H'FF200600	H'1F200600	32
Break control register	CBCR	R/W	H'FF200620	H'1F200620	32

Note: * P4 addresses are used when area P4 in the virtual address space is used, and area 7 addresses are used when accessing the register through area 7 in the physical address space using the TLB.

Table 29.2 Register Status in Each Processing State

Register Name	Abbreviation	Power-on Reset	Manual Reset	Sleep
Match condition setting register 0	CBR0	H'20000000	Retained	Retained
Match operation setting register 0	CRR0	H'00002000	Retained	Retained
Match address setting register 0	CAR0	Undefined	Retained	Retained
Match address mask setting register 0	CAMR0	Undefined	Retained	Retained
Match condition setting register 1	CBR1	H'20000000	Retained	Retained
Match operation setting register 1	CRR1	H'00002000	Retained	Retained
Match address setting register 1	CAR1	Undefined	Retained	Retained
Match address mask setting register 1	CAMR1	Undefined	Retained	Retained
Match data setting register 1	CDR1	Undefined	Retained	Retained
Match data mask setting register 1	CDMR1	Undefined	Retained	Retained
Execution count break register 1	CETR1	Undefined	Retained	Retained
Channel match flag register	CCMFR	H'00000000	Retained	Retained
Break control register	CBCR	H'00000000	Retained	Retained

The access size must be the same as the control register size. If the size is different, the register is not written to if attempted, and reading the register returns the undefined value. A desired break may not occur between the time when the instruction for rewriting the control register is executed and the time when the written value is actually reflected on the register. In order to confirm the exact timing when the control register is updated, read the data which has been written most recently. The subsequent instructions are valid for the most recently written register value.

29.2.1 Match Condition Setting Registers 0 and 1 (CBR0 and CBR1)

CBR0 and CBR1 are readable/writable 32-bit registers which specify the break conditions for channels 0 and 1, respectively. The following break conditions can be set in the CBR0 and CBR1:

(1) whether or not to include the match flag in the conditions, (2) whether or not to include the ASID, and the ASID value when included, (3) whether or not to include the data value, (4) operand size, (5) whether or not to include the execution count, (6) bus type, (7) instruction fetch cycle or operand access cycle, and (8) read or write access cycle.

- CBR0

Bit :	31	30	29	28	27	26	25	24	23	22	21	20	19	18	17	16	
	MFE	AIE	MFI						AIV								
Initial value :	0	0	1	0	0	0	0	0	0	0	0	0	0	0	0	0	
R/W :	R/W	R/W	R/W	R/W	R/W	R/W	R/W	R/W	R/W	R/W	R/W	R/W	R/W	R/W	R/W	R/W	
Bit :	15	14	13	12	11	10	9	8	7	6	5	4	3	2	1	0	
	—	SZ			—	—	—	—	CD		ID		—	RW		CE	
Initial value :	0	0	0	0	0	0	0	0	0	0	0	0	0	0	0	0	
R/W :	R	R/W	R/W	R/W	R	R	R	R	R/W	R/W	R/W	R/W	R	R/W	R/W	R/W	

Bit	Bit Name	Initial Value	R/W	Description
31	MFE	0	R/W	<p>Match Flag Enable</p> <p>Specifies whether or not to include the match flag value specified by the MFI bit of this register in the match conditions. When the specified match flag value is 1, the condition is determined to be satisfied.</p> <p>0: The match flag is not included in the match conditions; thus, not checked.</p> <p>1: The match flag is included in the match conditions.</p>
30	AIE	0	R/W	<p>ASID Enable</p> <p>Specifies whether or not to include the ASID specified by the AIV bit of this register in the match conditions.</p> <p>0: The ASID is not included in the match conditions; thus, not checked.</p> <p>1: The ASID is included in the match conditions.</p>

Bit	Bit Name	Initial Value	R/W	Description
29 to 24	MFI	100000	R/W	<p>Match Flag Specify</p> <p>Specifies the match flag to be included in the match conditions.</p> <p>000000: MF0 bit of the CCMFR register 000001: MF1 bit of the CCMFR register Others: Reserved (setting prohibited)</p> <p>Note: The initial value is the reserved value, but when 1 is written into CBR0[0], MFI must be set to 000000 or 000001. And note that the channel 0 is not hit when MFE bit of this register is 1 and MFI bits are 000000 in the condition of CCRMFMF0 = 0.</p>
23 to 16	AIV	All 0	R/W	<p>ASID Specify</p> <p>Specifies the ASID value to be included in the match conditions.</p>
15	—	0	R	<p>Reserved</p> <p>For read/write in this bit, refer to General Precautions on Handling of Product.</p>
14 to 12	SZ	All 0	R/W	<p>Operand Size Select</p> <p>Specifies the operand size to be included in the match conditions. This bit is valid only when the operand access cycle is specified as a match condition.</p> <p>000: The operand size is not included in the match conditions; thus, not checked (any operand size specifies the match condition).^{*1}</p> <p>001: Byte access 010: Word access 011: Longword access 100: Quadword access^{*2}</p> <p>Others: Reserved (setting prohibited)</p>
11 to 8	—	All 0	R	<p>Reserved</p> <p>For read/write in this bit, refer to General Precautions on Handling of Product.</p>

Bit	Bit Name	Initial Value	R/W	Description
7, 6	CD	All 0	R/W	<p>Bus Select</p> <p>Specifies the bus to be included in the match conditions. This bit is valid only when the operand access cycle is specified as a match condition.</p> <p>00: Operand bus for operand access</p> <p>Others: Reserved (setting prohibited)</p>
5, 4	ID	All 0	R/W	<p>Instruction Fetch/Operand Access Select</p> <p>Specifies the instruction fetch cycle or operand access cycle as the match condition.</p> <p>00: Instruction fetch cycle or operand access cycle</p> <p>01: Instruction fetch cycle</p> <p>10: Operand access cycle</p> <p>11: Instruction fetch cycle or operand access cycle</p>
3	—	0	R	<p>Reserved</p> <p>For read/write in this bit, refer to General Precautions on Handling of Product.</p>
2, 1	RW	All 0	R/W	<p>Bus Command Select</p> <p>Specifies the read/write cycle as the match condition. This bit is valid only when the operand access cycle is specified as a match condition.</p> <p>00: Read cycle or write cycle</p> <p>01: Read cycle</p> <p>10: Write cycle</p> <p>11: Read cycle or write cycle</p>
0	CE	0	R/W	<p>Channel Enable</p> <p>Validates/invalidates the channel. If this bit is 0, all the other bits of this register are invalid.</p> <p>0: Invalidates the channel.</p> <p>1: Validates the channel.</p>

- Notes:
1. If the data value is included in the match conditions, be sure to specify the operand size.
 2. If the quadword access is specified and the data value is included in the match conditions, the upper and lower 32 bits of 64-bit data are each compared with the contents of both the match data setting register and the match data mask setting register.

- CBR1

Bit :	31	30	29	28	27	26	25	24	23	22	21	20	19	18	17	16
	MFE	AIE	MFI						AIV							
Initial value :	0	0	1	0	0	0	0	0	0	0	0	0	0	0	0	0
R/W:	R/W	R/W	R/W	R/W	R/W	R/W	R/W	R/W	R/W	R/W	R/W	R/W	R/W	R/W	R/W	R/W
Bit :	15	14	13	12	11	10	9	8	7	6	5	4	3	2	1	0
	DBE	SZ		ETBE	—	—	—	CD	ID		—	RW		CE		
Initial value :	0	0	0	0	0	0	0	0	0	0	0	0	0	0	0	0
R/W:	R/W	R/W	R/W	R/W	R/W	R	R	R	R/W	R/W	R/W	R/W	R	R/W	R/W	R/W

Bit	Bit Name	Initial Value	R/W	Description
31	MFE	0	R/W	<p>Match Flag Enable</p> <p>Specifies whether or not to include the match flag value specified by the MFI bit of this register in the match conditions. When the specified match flag value is 1, the condition is determined to be satisfied.</p> <p>0: The match flag is not included in the match conditions; thus, not checked.</p> <p>1: The match flag is included in the match conditions.</p>
30	AIE	0	R/W	<p>ASID Enable</p> <p>Specifies whether or not to include the ASID specified by the AIV bit of this register in the match conditions.</p> <p>0: The ASID is not included in the match conditions; thus, not checked.</p> <p>1: The ASID is included in the match conditions.</p>
29 to 24	MFI	100000	R/W	<p>Match Flag Specify</p> <p>Specifies the match flag to be included in the match conditions.</p> <p>000000: The MF0 bit of the CCMFR register</p> <p>000001: The MF1 bit of the CCMFR register</p> <p>Others: Reserved (setting prohibited)</p> <p>Note: The initial value is the reserved value, but when 1 is written into CBR1[0], MFI must be set to 000000 or 000001. And note that the channel 1 is not hit when MFE bit of this register is 1 and MFI bits are 000001 in the condition of CCRM.FMF1 = 0.</p>

Bit	Bit Name	Initial Value	R/W	Description
23 to 16	AIV	All 0	R/W	ASID Specify Specifies the ASID value to be included in the match conditions.
15	DBE	0	R/W	Data Value Enable* ³ Specifies whether or not to include the data value in the match condition. This bit is valid only when the operand access cycle is specified as a match condition. 0: The data value is not included in the match conditions; thus, not checked. 1: The data value is included in the match conditions.
14 to 12	SZ	All 0	R/W	Operand Size Select Specifies the operand size to be included in the match conditions. This bit is valid only when the operand access cycle is specified as a match condition. 000: The operand size is not included in the match condition; thus, not checked (any operand size specifies the match condition). * ¹ 001: Byte access 010: Word access 011: Longword access 100: Quadword access* ² Others: Reserved (setting prohibited)
11	ETBE	0	R/W	Execution Count Value Enable Specifies whether or not to include the execution count value in the match conditions. If this bit is 1 and the match condition satisfaction count matches the value specified by the CETR1 register, the operation specified by the CRR1 register is performed. 0: The execution count value is not included in the match conditions; thus, not checked. 1: The execution count value is included in the match conditions.
10 to 8	—	All 0	R	Reserved For read/write in this bit, refer to General Precautions on Handling of Product.

Bit	Bit Name	Initial Value	R/W	Description
7, 6	CD	All 0	R/W	<p>Bus Select</p> <p>Specifies the bus to be included in the match conditions. This bit is valid only when the operand access cycle is specified as a match condition.</p> <p>00: Operand bus for operand access Others: Reserved (setting prohibited)</p>
5, 4	ID	All 0	R/W	<p>Instruction Fetch/Operand Access Select</p> <p>Specifies the instruction fetch cycle or operand access cycle as the match condition.</p> <p>00: Instruction fetch cycle or operand access cycle 01: Instruction fetch cycle 10: Operand access cycle 11: Instruction fetch cycle or operand access cycle</p>
3	—	0	R	<p>Reserved</p> <p>For read/write in this bit, refer to General Precautions on Handling of Product.</p>
2, 1	RW	All 0	R/W	<p>Bus Command Select</p> <p>Specifies the read/write cycle as the match condition. This bit is valid only when the operand access cycle is specified as a match condition.</p> <p>00: Read cycle or write cycle 01: Read cycle 10: Write cycle 11: Read cycle or write cycle</p>
0	CE	0	R/W	<p>Channel Enable</p> <p>Validates/invalidates the channel. If this bit is 0, all the other bits in this register are invalid.</p> <p>0: Invalidates the channel. 1: Validates the channel.</p>

- Notes:
1. If the data value is included in the match conditions, be sure to specify the operand size.
 2. If the quadword access is specified and the data value is included in the match conditions, the upper and lower 32 bits of 64-bit data are each compared with the contents of both the match data setting register and the match data mask setting register.
 3. The OCBI instruction is handled as longword write access without the data value, and the PREF, OCBP, and OCBWB instructions are handled as longword read access without the data value. Therefore, do not include the data value in the match conditions for these instructions.

29.2.2 Match Operation Setting Registers 0 and 1 (CRR0 and CRR1)

CRR0 and CRR1 are readable/writable 32-bit registers which specify the operation to be executed when channels 0 and 1 satisfy the match condition, respectively. The following operations can be set in the CRR0 and CRR1 registers: (1) breaking at a desired timing for the instruction fetch cycle and (2) requesting a break.

• CRR0

Bit :	31	30	29	28	27	26	25	24	23	22	21	20	19	18	17	16
	—	—	—	—	—	—	—	—	—	—	—	—	—	—	—	—
Initial value :	0	0	0	0	0	0	0	0	0	0	0	0	0	0	0	0
R/W:	R	R	R	R	R	R	R	R	R	R	R	R	R	R	R	R
Bit :	15	14	13	12	11	10	9	8	7	6	5	4	3	2	1	0
	—	—	—	—	—	—	—	—	—	—	—	—	—	—	PCB	BIE
Initial value :	0	0	1	0	0	0	0	0	0	0	0	0	0	0	0	0
R/W:	R	R	R	R	R	R	R	R	R	R	R	R	R	R	R/W	R/W

Bit	Bit Name	Initial Value	R/W	Description
31 to 14	—	All 0	R	Reserved For read/write in this bit, refer to General Precautions on Handling of Product.
13	—	1	R	Reserved This bit is always read as 1. The write value should always be 1.
12 to 2	—	All 0	R	Reserved For read/write in this bit, refer to General Precautions on Handling of Product.
1	PCB	0	R/W	PC Break Select Specifies either before or after instruction execution as the break timing for the instruction fetch cycle. This bit is invalid for breaks other than the ones for the instruction fetch cycle. 0: Sets the PC break before instruction execution. 1: Sets the PC break after instruction execution.
0	BIE	0	R/W	Break Enable Specifies whether or not to request a break when the match condition is satisfied for the channel. 0: Does not request a break. 1: Requests a break.

- CRR1

Bit :	31	30	29	28	27	26	25	24	23	22	21	20	19	18	17	16
	—	—	—	—	—	—	—	—	—	—	—	—	—	—	—	—
Initial value :	0	0	0	0	0	0	0	0	0	0	0	0	0	0	0	0
R/W:	R	R	R	R	R	R	R	R	R	R	R	R	R	R	R	R
Bit :	15	14	13	12	11	10	9	8	7	6	5	4	3	2	1	0
	—	—	—	—	—	—	—	—	—	—	—	—	—	—	PCB	BIE
Initial value :	0	0	1	0	0	0	0	0	0	0	0	0	0	0	0	0
R/W:	R	R	R	R	R	R	R	R	R	R	R	R	R	R	R/W	R/W

Bit	Bit Name	Initial Value	R/W	Description
31 to 14	—	All 0	R	Reserved For read/write in this bit, refer to General Precautions on Handling of Product.
13	—	1	R	Reserved This bit is always read as 1. The write value should always be 1.
12 to 2	—	All 0	R	Reserved For read/write in this bit, refer to General Precautions on Handling of Product.
1	PCB	0	R/W	PC Break Select Specifies either before or after instruction execution as the break timing for the instruction fetch cycle. This bit is invalid for breaks other than ones for the instruction fetch cycle. 0: Sets the PC break before instruction execution. 1: Sets the PC break after instruction execution.
0	BIE	0	R/W	Break Enable Specifies whether or not to request a break when the match condition is satisfied for the channel. 0: Does not request a break. 1: Requests a break.

29.2.3 Match Address Setting Registers 0 and 1 (CAR0 and CAR1)

CAR0 and CAR1 are readable/writable 32-bit registers specifying the virtual address to be included in the break conditions for channels 0 and 1, respectively.

• CAR0

Bit :	31	30	29	28	27	26	25	24	23	22	21	20	19	18	17	16
	CA															
Initial value :	—	—	—	—	—	—	—	—	—	—	—	—	—	—	—	—
R/W:	R/W	R/W	R/W	R/W	R/W	R/W	R/W	R/W	R/W	R/W	R/W	R/W	R/W	R/W	R/W	R/W
Bit :	15	14	13	12	11	10	9	8	7	6	5	4	3	2	1	0
	CA															
Initial value :	—	—	—	—	—	—	—	—	—	—	—	—	—	—	—	—
R/W:	R/W	R/W	R/W	R/W	R/W	R/W	R/W	R/W	R/W	R/W	R/W	R/W	R/W	R/W	R/W	R/W

Bit	Bit Name	Initial Value	R/W	Description
31 to 0	CA	Undefined	R/W	Compare Address Specifies the address to be included in the break conditions. When the operand bus has been specified using the CBR0 register, specify the SAB address in CA[31:0].

• CAR1

Bit :	31	30	29	28	27	26	25	24	23	22	21	20	19	18	17	16
	CA															
Initial value :	—	—	—	—	—	—	—	—	—	—	—	—	—	—	—	—
R/W:	R/W	R/W	R/W	R/W	R/W	R/W	R/W	R/W	R/W	R/W	R/W	R/W	R/W	R/W	R/W	R/W
Bit :	15	14	13	12	11	10	9	8	7	6	5	4	3	2	1	0
	CA															
Initial value :	—	—	—	—	—	—	—	—	—	—	—	—	—	—	—	—
R/W:	R/W	R/W	R/W	R/W	R/W	R/W	R/W	R/W	R/W	R/W	R/W	R/W	R/W	R/W	R/W	R/W

Bit	Bit Name	Initial Value	R/W	Description
31 to 0	CA	Undefined	R/W	Compare Address Specifies the address to be included in the break conditions. When the operand bus has been specified using the CBR1 register, specify the SAB address in CA[31:0].

29.2.4 Match Address Mask Setting Registers 0 and 1 (CAMR0 and CAMR1)

CAMR0 and CAMR1 are readable/writable 32-bit registers which specify the bits to be masked among the address bits specified by using the match address setting register of the corresponding channel. (Set the bits to be masked to 1.)

- CAMR0

Bit :	31	30	29	28	27	26	25	24	23	22	21	20	19	18	17	16
	CAM															
Initial value :	—	—	—	—	—	—	—	—	—	—	—	—	—	—	—	—
R/W:	R/W	R/W	R/W	R/W	R/W	R/W	R/W	R/W	R/W	R/W	R/W	R/W	R/W	R/W	R/W	R/W
Bit :	15	14	13	12	11	10	9	8	7	6	5	4	3	2	1	0
	CAM															
Initial value :	—	—	—	—	—	—	—	—	—	—	—	—	—	—	—	—
R/W:	R/W	R/W	R/W	R/W	R/W	R/W	R/W	R/W	R/W	R/W	R/W	R/W	R/W	R/W	R/W	R/W

Bit	Bit Name	Initial Value	R/W	Description
31 to 0	CAM	Undefined	R/W	<p>Compare Address Mask</p> <p>Specifies the bits to be masked among the address bits which are specified using the CAR0 register. (Set the bits to be masked to 1.)</p> <p>0: Address bits CA[n] are included in the break condition.</p> <p>1: Address bits CA[n] are masked and not included in the break condition.</p> <p>[n] = any values from 31 to 0</p>

- CAMR1

Bit :	31	30	29	28	27	26	25	24	23	22	21	20	19	18	17	16
	CAM															
Initial value :	—	—	—	—	—	—	—	—	—	—	—	—	—	—	—	—
R/W:	R/W	R/W	R/W	R/W	R/W	R/W	R/W	R/W	R/W	R/W	R/W	R/W	R/W	R/W	R/W	R/W
Bit :	15	14	13	12	11	10	9	8	7	6	5	4	3	2	1	0
	CAM															
Initial value :	—	—	—	—	—	—	—	—	—	—	—	—	—	—	—	—
R/W:	R/W	R/W	R/W	R/W	R/W	R/W	R/W	R/W	R/W	R/W	R/W	R/W	R/W	R/W	R/W	R/W

Bit	Bit Name	Initial Value	R/W	Description
31 to 0	CAM	Undefined	R/W	<p>Compare Address Mask</p> <p>Specifies the bits to be masked among the address bits which are specified using the CAR1 register. (Set the bits to be masked to 1.)</p> <p>0: Address bits CA[n] are included in the break condition.</p> <p>1: Address bits CA[n] are masked and not included in the break condition.</p> <p>[n] = any values from 31 to 0</p>

29.2.5 Match Data Setting Register 1 (CDR1)

CDR1 is a readable/writable 32-bit register which specifies the data value to be included in the break conditions for channel 1.

Bit :	31	30	29	28	27	26	25	24	23	22	21	20	19	18	17	16
	CD															
Initial value :	—	—	—	—	—	—	—	—	—	—	—	—	—	—	—	—
R/W:	R/W	R/W	R/W	R/W	R/W	R/W	R/W	R/W	R/W	R/W	R/W	R/W	R/W	R/W	R/W	R/W
Bit :	15	14	13	12	11	10	9	8	7	6	5	4	3	2	1	0
	CD															
Initial value :	—	—	—	—	—	—	—	—	—	—	—	—	—	—	—	—
R/W:	R/W	R/W	R/W	R/W	R/W	R/W	R/W	R/W	R/W	R/W	R/W	R/W	R/W	R/W	R/W	R/W

Bit	Bit Name	Initial Value	R/W	Description
31 to 0	CD	Undefined	R/W	Compare Data Value Specifies the data value to be included in the break conditions. When the operand bus has been specified using the CBR1 register, specify the SDB data value in CD[31:0].

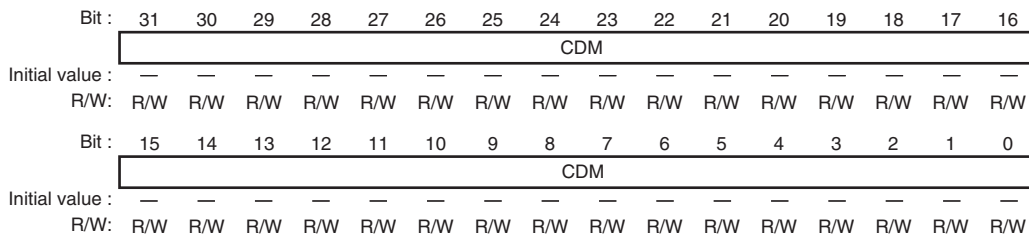
Table 29.3 Settings for Match Data Setting Register

Bus and Size Selected Using CBR1	CD[31:24]	CD[23:16]	CD[15:8]	CD[7:0]
Operand bus (byte)	Don't care	Don't care	Don't care	SDB7 to SDB0
Operand bus (word)	Don't care	Don't care	SDB15 to SDB8	SDB7 to SDB0
Operand bus (longword)	SDB31 to SDB24	SDB23 to SDB16	SDB15 to SDB8	SDB7 to SDB0

- Notes:
1. If the data value is included in the match conditions, be sure to specify the operand size.
 2. The OCBI instruction is handled as longword write access without the data value, and the PREF, OCBP, and OCBWB instructions are handled as longword read access without the data value. Therefore, do not include the data value in the match conditions for these instructions.
 3. If the quadword access is specified and the data value is included in the match conditions, the upper and lower 32 bits of 64-bit data are each compared with the contents of both the match data setting register and match data mask setting register.

29.2.6 Match Data Mask Setting Register 1 (CDMR1)

CDMR1 is a readable/writable 32-bit register which specifies the bits to be masked among the data value bits specified using the match data setting register. (Set the bits to be masked to 1.)



Bit	Bit Name	Initial Value	R/W	Description
31 to 0	CDM	Undefined	R/W	Compare Data Value Mask Specifies the bits to be masked among the data value bits specified using the CDR1 register. (Set the bits to be masked to 1.) 0: Data value bits CD[n] are included in the break condition. 1: Data value bits CD[n] are masked and not included in the break condition. [n] = any values from 31 to 0

29.2.7 Execution Count Break Register 1 (CETR1)

CETR1 is a readable/writable 32-bit register which specifies the number of the channel hits before a break occurs. A maximum value of $2^{12} - 1$ can be specified. When the execution count value is included in the match conditions by using the match condition setting register, the value of this register is decremented by one every time the channel is hit. When the channel is hit after the register value reaches H'001, a break occurs.

Bit :	31	30	29	28	27	26	25	24	23	22	21	20	19	18	17	16
	—	—	—	—	—	—	—	—	—	—	—	—	—	—	—	—
Initial value :	0	0	0	0	0	0	0	0	0	0	0	0	0	0	0	0
R/W:	R	R	R	R	R	R	R	R	R	R	R	R	R	R	R	R
Bit :	15	14	13	12	11	10	9	8	7	6	5	4	3	2	1	0
	—	—	—	—	CET											
Initial value :	0	0	0	0	—	—	—	—	—	—	—	—	—	—	—	—
R/W:	R	R	R	R	R/W	R/W	R/W	R/W	R/W	R/W	R/W	R/W	R/W	R/W	R/W	R/W

Bit	Bit Name	Initial Value	R/W	Description
31 to 12	—	All 0	R	Reserved For read/write in this bit, refer to General Precautions on Handling of Product.
11 to 0	CET	Undefined	R/W	Execution Count Specifies the execution count to be included in the break conditions.

29.2.8 Channel Match Flag Register (CCMFR)

CCMFR is a readable/writable 32-bit register which indicates whether or not the match conditions have been satisfied for each channel. When a channel match condition has been satisfied, the corresponding flag bit is set to 1. To clear the flags, write the data containing value 0 for the bits to be cleared and value 1 for the other bits to this register. (The logical AND between the value which has been written and the current register value is actually written to the register.) Sequential operation using multiple channels is available by using these match flags.

Bit :	31	30	29	28	27	26	25	24	23	22	21	20	19	18	17	16
	—	—	—	—	—	—	—	—	—	—	—	—	—	—	—	—
Initial value :	0	0	0	0	0	0	0	0	0	0	0	0	0	0	0	0
R/W:	R	R	R	R	R	R	R	R	R	R	R	R	R	R	R	R
Bit :	15	14	13	12	11	10	9	8	7	6	5	4	3	2	1	0
	—	—	—	—	—	—	—	—	—	—	—	—	—	—	MF1	MF0
Initial value :	0	0	0	0	0	0	0	0	0	0	0	0	0	0	0	0
R/W:	R	R	R	R	R	R	R	R	R	R	R	R	R	R	R/W	R/W

Bit	Bit Name	Initial Value	R/W	Description
31 to 2	—	All 0	R	Reserved For read/write in this bit, refer to General Precautions on Handling of Product.
1	MF1	0	R/W	Channel 1 Condition Match Flag This flag is set to 1 when the channel 1 match condition has been satisfied. To clear the flag, write 0 to this bit. 0: Channel 1 match condition has not been satisfied. 1: Channel 1 match condition has been satisfied.
0	MF0	0	R/W	Channel 0 Condition Match Flag This flag is set to 1 when the channel 0 match condition has been satisfied. To clear the flag, write 0 to this bit. 0: Channel 0 match condition has not been satisfied. 1: Channel 0 match condition has been satisfied.

29.2.9 Break Control Register (CBCR)

CBCR is a readable/writable 32-bit register which specifies whether or not to use the user break debugging support function. For details on the user break debugging support function, refer to section 29.4, User Break Debugging Support Function.

Bit :	31	30	29	28	27	26	25	24	23	22	21	20	19	18	17	16
	—	—	—	—	—	—	—	—	—	—	—	—	—	—	—	—
Initial value :	0	0	0	0	0	0	0	0	0	0	0	0	0	0	0	0
R/W:	R	R	R	R	R	R	R	R	R	R	R	R	R	R	R	R
Bit :	15	14	13	12	11	10	9	8	7	6	5	4	3	2	1	0
	—	—	—	—	—	—	—	—	—	—	—	—	—	—	—	UBDE
Initial value :	0	0	0	0	0	0	0	0	0	0	0	0	0	0	0	0
R/W:	R	R	R	R	R	R	R	R	R	R	R	R	R	R	R	R/W

Bit	Bit Name	Initial Value	R/W	Description
31 to 1	—	All 0	R	Reserved For read/write in this bit, refer to General Precautions on Handling of Product.
0	UBDE	0	R/W	User Break Debugging Support Function Enable Specifies whether or not to use the user break debugging support function. 0: Does not use the user break debugging support function. 1: Uses the user break debugging support function.

29.3 Operation Description

29.3.1 Definition of Words Related to Accesses

"Instruction fetch" refers to an access in which an instruction is fetched. For example, fetching the instruction located at the branch destination after executing a branch instruction is an instruction access. "Operand access" refers to any memory access accompanying execution of an instruction. For example, accessing an address ($PC + \text{disp} \times 2 + 4$) in the instruction `MOV.W@(disp,PC),Rn` is an operand access. "Data" is used in contrast to "address".

All types of operand access are classified into read or write access. Special care must be taken in using the following instructions.

- `PREF`, `OCBP`, and `OCBWB`: Instructions for a read access
- `MOVCA.L` and `OCBI`: Instructions for a write access
- `TAS.B`: Instruction for a single read access or a single write access

The operand access accompanying the `PREF`, `OCBP`, `OCBWB`, and `OCBI` instructions is access without the data value; therefore, do not include the data value in the match conditions for these instructions.

The operand size should be defined for all types of operand access. Available operand sizes are byte, word, longword, and quadword. For operand access accompanying the `PREF`, `OCBP`, `OCBWB`, `MOVCA.L`, and `OCBI` instructions, the operand size is defined as longword.

29.3.2 User Break Operation Sequence

The following describes the sequence from when the break condition is set until the user break exception handling is initiated.

1. Specify the operand size, bus, instruction fetch/operand access, and read/write as the match conditions using the match condition setting register (CBR0 or CBR1). Specify the break address using the match address setting register (CAR0 or CAR1), and specify the address mask condition using the match address mask setting register (CAMR0 or CAMR1). To include the ASID in the match conditions, set the AIE bit in the match condition setting register and specify the ASID value by the AIV bit in the same register. To include the data value in the match conditions, set the DBE bit in the match condition setting register; specify the break data using the match data setting register (CDR1); and specify the data mask condition using the match data mask setting register (CDMR1). To include the execution count in the match conditions, set the ETBE bit of the match condition setting register; and specify the execution count using the execution count break register (CETR1). To use the sequential break, set the MFE bit of the match condition setting register; and specify the number of the first channel using the MFI bit.
2. Specify whether or not to request a break when the match condition is satisfied and the break timing when the match condition is satisfied as a result of fetching the instruction using the match operation setting register (CRR0 or CRR1). After having set all the bits in the match condition setting register except the CE bit and the other necessary registers, set the CE bit and read the match condition setting register again. This ensures that the set values in the control registers are valid for the subsequent instructions immediately after reading the register. Setting the CE bit of the match condition setting register in the initial state after reset via the control registers may cause an undesired break.
3. When the match condition has been satisfied, the corresponding condition match flag (MF1 or MF0) in the channel match flag register (CCMFR) is set. A break is also requested to the CPU according to the set values in the match operation setting register (CRR0 or CRR1). The CPU operates differently according to the BL bit value of the SR register: when the BL bit is 0, the CPU accepts the break request and executes the specified exception handling; and when the BL bit is 1, the CPU does not execute the exception handling.
4. The match flags (MF1 and MF0) can be used to confirm whether or not the corresponding match condition has been satisfied. Although the flag is set when the condition is satisfied, it is not cleared automatically; therefore, write 0 to the flag bit by issuing a memory store instruction to the channel match flag register (CCMFR) in order to use the flag again.
5. Breaks may occur virtually at the same time for channels 0 and 1. In this case, only one break request is sent to the CPU; however, the two condition match flags corresponding to these breaks may be set.

6. While the BL bit in the SR register is 1, no break requests are accepted. However, whether or not the condition has been satisfied is determined. When the condition is determined to be satisfied, the corresponding condition match flag is set.
7. If the sequential break conditions are set, the condition match flag is set every time the match conditions are satisfied for each channel. When the conditions have been satisfied for the first channel in the sequence but not for the second channel in the sequence, clear the condition match flag for the first channel in the sequence in order to release the first channel in the sequence from the match state.

29.3.3 Instruction Fetch Cycle Break

1. If the instruction fetch cycle is set in the match condition setting register (CBR0 or CBR1), the instruction fetch cycle is handled as a match condition. To request a break upon satisfying the match condition, set the BIE bit in the match operation setting register (CRR0 or CRR1) of the corresponding channel. Either before or after executing the instruction can be selected as the break timing according to the PCB bit value. If the instruction fetch cycle is specified as a match condition, be sure to clear the LSB to 0 in the match address setting register (CAR0 or CAR1); otherwise, no break occurs.
2. If pre-instruction-execution break is specified for the instruction fetch cycle, the break is requested when the instruction is fetched and determined to be executed. Therefore, this function cannot be used for the instructions which are fetched through overrun (i.e., the instructions fetched during branching or making transition to the interrupt routine but not executed). For priorities of pre-instruction-execution break and the other exceptions, refer to section 5, Exception Handling. If pre-instruction-execution break is specified for the delayed slot of the delayed branch instruction, the break is requested before the delayed branch instruction is executed. However, do not specify pre-instruction-execution break for the delayed slot of the RTE instruction.
3. If post-instruction-execution break is specified for the instruction fetch cycle, the break is requested after the instruction which satisfied the match condition has been executed and before the next instruction is executed. Similar to pre-instruction-execution break, this function cannot be used for the instructions which are fetched through overrun. For priorities of post-instruction-execution break and the other exceptions, refer to section 5, Exception Handling. If post-instruction-execution break is specified for the delayed branch instruction and its delayed slot, the break does not occur until the first instruction at the branch destination.
4. If the instruction fetch cycle is specified as the channel 1 match condition, the DBE bit of match condition setting register CBR1 becomes invalid, the settings of match data setting register CDR1 and match data mask setting register CDMR1 are ignored. Therefore, the data value cannot be specified for the instruction fetch cycle break.

29.3.4 Operand Access Cycle Break

1. Table 29.4 shows the relation between the operand sizes specified using the match condition setting register (CBR0 or CBR1) and the address bits to be compared for the operand access cycle break.

Table 29.4 Relation between Operand Sizes and Address Bits to Be Compared

Selected Operand Size	Address Bits to be Compared
Quadword	Address bits A31 to A3
Longword	Address bits A31 to A2
Word	Address bits A31 to A1
Byte	Address bits A31 to A0
Operand size is not included in the match conditions	Address bits A31 to A3 for quadword access Address bits A31 to A2 for longword access Address bits A31 to A1 for word access Address bits A31 to A0 for byte access

The above table means that if address H'00001003 is set in the match address setting register (CAR0 or CAR1), for example, the match condition is satisfied for the following access cycles (assuming that all the other conditions are satisfied):

- Longword access to address H'00001000
- Word access to address H'00001002
- Byte access to address H'00001003

2. When the data value is included in the channel 1 match conditions:

If the data value is included in the match conditions, be sure to select the quadword, longword, word, or byte as the operand size using the operand size select bit (SZ) of the match condition setting register (CBR1), and also set the match data setting register (CDR1) and the match data mask setting register (CDMR1). With these settings, the match condition is satisfied when both of the address and data conditions are satisfied. The data value and mask control for byte access, word access, and longword access should be set in bits 7 to 0, 15 to 0, and 31 to 0 in the bits CDR1 and CDMR1, respectively. For quadword access, 64-bit data is divided into the upper and lower 32-bit data units, and each unit is independently compared with the specified condition. When either the upper or lower 32-bit data unit satisfies the match condition, the match condition for the 64-bit data is determined to be satisfied.

3. The operand access accompanying the PREF, OCBP, OCBWB, and OCBI instructions are access without the data value; therefore, if the data value is included in the match conditions for these instructions, the match conditions will never be satisfied.

4. If the operand bus is selected, a break occurs after executing the instruction which has satisfied the conditions and immediately before executing the next instruction. However, if the data value is included in the match conditions, a break may occur after executing several instructions after the instruction which has satisfied the conditions; therefore, it is impossible to identify the instruction causing the break. If such a break has occurred for the delayed branch instruction or its delayed slot, the break does not occur until the first instruction at the branch destination.

However, do not specify the operand break for the delayed slot of the RTE instruction. And if the data value is included in the match conditions, it is not allowed to set the break for the preceding the RTE instruction by one to six instructions.

29.3.5 Sequential Break

1. Sequential break conditions can be specified by setting the MFE and MFI bits in the match condition setting registers (CBR0 and CBR1). (Sequential break involves two cases such that channel 0 break condition is satisfied then channel 1 break condition is satisfied, and vice versa.) To use the sequential break function, clear the MFE bit of the match condition setting register and the BIE bit of the match operation setting register of the first channel in the sequence, and set the MFE bit and specify the number of the second channel in the sequence using the MFI bit in the match condition setting register of the second channel in the sequence. If the sequential break condition is set, the condition match flag is set every time the match condition is satisfied for each channel. When the condition has been satisfied for the first channel in the sequence but not for the second channel in the sequence, clear the condition match flag for the first channel in the sequence in order to release the first channel in the sequence from the match state.
2. For channel 1, the execution count break condition can also be included in the sequential break conditions.
3. If the match conditions for the first and second channels in the sequence are satisfied within a significantly short time, sequential operation may not be guaranteed in some cases, as shown below.
 - When the Match Condition is Satisfied at the Instruction Fetch Cycle for Both the First and Second Channels in the Sequence:

Instruction B is 0 instruction after instruction A	Equivalent to setting the same addresses; do not use this setting.
--	--

Instruction B is one instruction after instruction A	Sequential operation is not guaranteed.
--	---

Instruction B is two or more instructions after instruction A	Sequential operation is guaranteed.
---	-------------------------------------

- When the match condition is satisfied at the instruction fetch cycle for the first channel in the sequence whereas the match condition is satisfied at the operand access cycle for the second channel in the sequence:

Instruction B is 0 or one instruction after instruction A	Sequential operation is not guaranteed.
---	---

Instruction B is two or more instructions after instruction A	Sequential operation is guaranteed.
---	-------------------------------------

- When the match condition is satisfied at the operand access cycle for the first channel in the sequence whereas the match condition is satisfied at the instruction fetch cycle for the second channel in the sequence:

Instruction B is 0 to five instructions after instruction A	Sequential operation is not guaranteed.
---	---

Instruction B is six or more instructions after instruction A	Sequential operation is guaranteed.
---	-------------------------------------

- When the match condition is satisfied at the operand access cycle for both the first and second channels in the sequence:

Instruction B is 0 to five instructions after instruction A	Sequential operation is not guaranteed.
---	---

Instruction B is six or more instructions after instruction A	Sequential operation is guaranteed.
---	-------------------------------------

29.3.6 Program Counter Value to be Saved

When a break has occurred, the address of the instruction to be executed when the program restarts is saved in the SPC then the exception handling state is initiated. A unique instruction causing a break can be identified unless the data value is included in the match conditions.

1. When the instruction fetch cycle (before instruction execution) is specified as the match condition:

The address of the instruction which has satisfied the match conditions is saved in the SPC. The instruction which has satisfied the match conditions is not executed, but a break occurs instead. However, if the match conditions are satisfied for the delayed slot instruction, the address of the delayed branch instruction is saved in the SPC.

2. When the instruction fetch cycle (after instruction execution) is specified as the match condition:

The address of the instruction immediately after the instruction which has satisfied the match conditions is saved in the SPC. The instruction which has satisfied the match conditions is executed, then a break occurs before the next instruction. If the match conditions are satisfied for the delayed branch instruction or its delayed slot, these instructions are executed and the address of the branch destination is saved in the SPC.

3. When the operand access (address only) is specified as the match condition:

The address of the instruction immediately after the instruction which has satisfied the break conditions is saved in the SPC. The instruction which has satisfied the match conditions are executed, then a break occurs before the next instruction. However, if the conditions are satisfied for the delayed slot, the address of the branch destination is saved in the SPC.

4. When the operand access (address and data) is specified as the match condition:

If the data value is added to the match conditions, the instruction which has satisfied the match conditions is executed. A user break occurs before executing an instruction that is one through six instructions after the instruction which has satisfied the match conditions. The address of the instruction is saved in the SPC; thus, it is impossible to identify exactly where a break will occur. If the conditions are satisfied for the delayed slot instruction, the address of the branch destination is saved in the SPC. If a branch instruction follows the instruction which has satisfied the match conditions, a break may occur after the delayed instruction and delayed slot are executed. In this case, the address of the branch destination is also saved in the SPC.

29.4 User Break Debugging Support Function

By using the user break debugging support function, the branch destination address can be modified when the CPU accepts the user break request. Specifically, setting the UBDE bit of break control register CBCR to 1 allows branching to the address indicated by DBR instead of branching to the address indicated by the [VBR + offset]. Figure 29.2 shows the flowchart of the user break debugging support function.

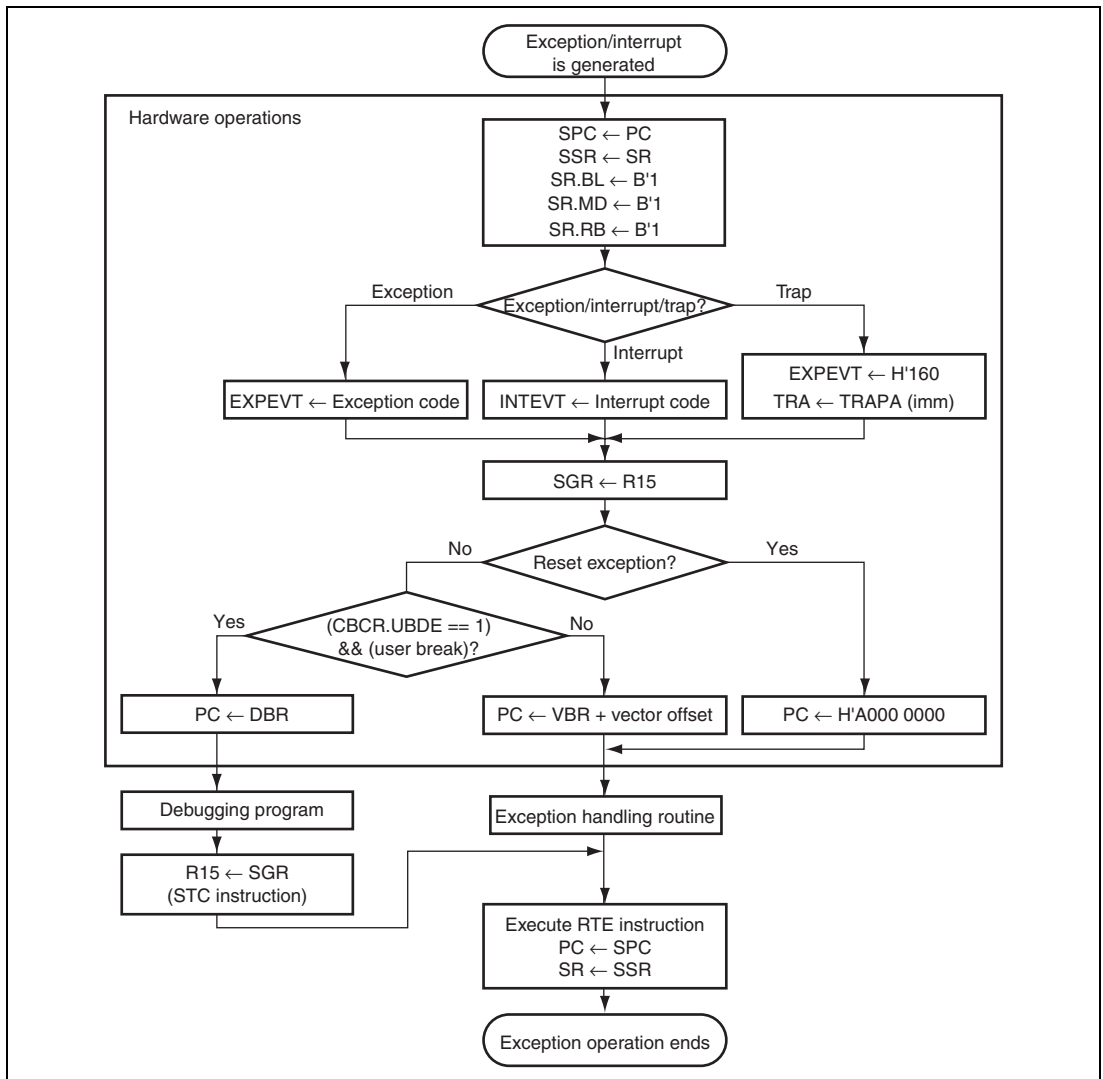


Figure 29.2 Flowchart of User Break Debugging Support Function

29.5 User Break Examples

(1) Match Conditions Are Specified for an Instruction Fetch Cycle

- Example 1-1

Register settings: CBR0 = H'00000013 / CRR0 = H'00002003 / CAR0 = H'00000404 /
CAMR0 = H'00000000 / CBR1 = H'00000013 / CRR1 = H'00002001 / CAR1 = H'00008010 /
CAMR1 = H'00000006 / CDR1 = H'00000000 / CDMR1 = H'00000000 / CETR1 =
H'00000000 / CBCR = H'00000000

Specified conditions: Independent for channels 0 and 1

— Channel 0

Address: H'00000404 / Address mask: H'00000000

Bus cycle: Instruction fetch (after executing the instruction)

ASID is not included in the conditions.

— Channel 1:

Address: H'00008010 / Address mask: H'00000006

Data: H'00000000 / Data mask: H'00000000 / Execution count: H'00000000

Bus cycle: Instruction fetch (before executing instruction)

ASID, data values, and execution count are not included in the conditions.

With the above settings, the user break occurs after executing the instruction at address H'00000404 or before executing the instruction at address H'00008010 to H'00008016.

- Example 1-2

Register settings: CBR0 = H'40800013 / CRR0 = H'00002000 / CAR0 = H'00037226 /
CAMR0 = H'00000000 / CBR1 = H'C0700013 / CRR1 = H'00002001 / CAR1 = H'0003722E /
CAMR1 = H'00000000 / CDR1 = H'00000000 / CDMR1 = H'00000000 / CETR1 =
H'00000000 / CBCR = H'00000000

Specified conditions: Channel 0 → Channel1 sequential mode

— Channel 0

Address: H'00037226 / Address mask: H'00000000 / ASID: H'80

Bus cycle: Instruction fetch (before executing the instruction)

— Channel 1

Address: H'0003722E / Address mask: H'00000000 / ASID: H'70

Data: H'00000000 / Data mask: H'00000000 / Execution count: H'00000000

Bus cycle: Instruction fetch (before executing the instruction)

Data values and execution count are not included in the conditions.

With the above settings, the user break occurs after executing the instruction at address H'00037226 where ASID is H'80 before executing the instruction at address H'0003722E where ASID is H'70.

- Example 1-3

Register settings: CBR0 = H'00000013 / CRR0 = H'00002001 / CAR0 = H'00027128 / CAMR0 = H'00000000 / CBR1 = H'00000013 / CRR1 = H'00002001 / CAR1 = H'00031415 / CAMR1 = H'00000000 / CDR1 = H'00000000 / CDMR1 = H'00000000 / CETR1 = H'00000000 / CBCR = H'00000000

Specified conditions: Independent for channels 0 and 1

— Channel 0

Address: H'00027128 / Address mask: H'00000000

Bus cycle: Instruction fetch (before executing the instruction)

ASID is not included in the conditions.

— Channel 1

Address: H'00031415 / Address mask: H'00000000

Data: H'00000000 / Data mask: H'00000000 / Execution count: H'00000000

Bus cycle: Instruction fetch (before executing the instruction)

ASID, data values, and execution count are not included in the conditions.

With the above settings, the user break occurs for channel 0 before executing the instruction at address H'00027128. No user break occurs for channel 1 since the instruction fetch is executed only at even addresses.

- Example 1-4

Register settings: CBR0 = H'40800013 / CRR0 = H'00002000 / CAR0 = H'00037226 / CAMR0 = H'00000000 / CBR1 = H'C0700013 / CRR1 = H'00002001 / CAR1 = H'0003722E / CAMR1 = H'00000000 / CDR1 = H'00000000 / CDMR1 = H'00000000 / CETR1 = H'00000000 / CBCR = H'00000000

Specified conditions: Channel 0 → Channel 1 sequential mode

— Channel 0

Address: H'00037226 / Address mask: H'00000000 / ASID: H'80

Bus cycle: Instruction fetch (before executing the instruction)

— Channel 1

Address: H'0003722E / Address mask: H'00000000 / ASID: H'70

Data: H'00000000 / Data mask: H'00000000 / Execution count: H'00000000

Bus cycle: Instruction fetch (before executing the instruction)

Data values and execution count are not included in the conditions.

With the above settings, the user break occurs after executing the instruction at address H'00037226 where ASID is H'80 and before executing the instruction at address H'0003722E where ASID is H'70.

- Example 1-5

Register settings: CBR0 = H'00000013 / CRR0 = H'00002001 / CAR0 = H'00000500 / CAMR0 = H'00000000 / CBR1 = H'00000813 / CRR1 = H'00002001 / CAR1 = H'00001000 / CAMR1 = H'00000000 / CDR1 = H'00000000 / CDMR1 = H'00000000 / CETR1 = H'00000005 / CBCR = H'00000000

Specified conditions: Independent for channels 0 and 1

- Channel 0

Address: H'00000500 / Address mask: H'00000000

Bus cycle: Instruction fetch (before executing the instruction)

ASID is not included in the conditions.

- Channel 1

Address: H'00001000 / Address mask: H'00000000

Data: H'00000000 / Data mask: H'00000000 / Execution count: H'00000005

Bus cycle: Instruction fetch (before executing the instruction)

Execution count: 5

ASID and data values are not included in the conditions.

With the above settings, the user break occurs for channel 0 before executing the instruction at address H'00000500. The user break occurs for channel 1 after executing the instruction at address H'00001000 four times; before executing the instruction five times.

- Example 1-6

Register settings: CBR0 = H'40800013 / CRR0 = H'00002003 / CAR0 = H'00008404 / CAMR0 = H'00000FFF / CBR1 = H'40700013 / CRR1 = H'00002001 / CAR1 = H'00008010 / CAMR1 = H'00000006 / CDR1 = H'00000000 / CDMR1 = H'00000000 / CETR1 = H'00000000 / CBCR = H'00000000

Specified conditions: Independent for channels 0 and 1

- Channel 0

Address: H'00008404 / Address mask: H'00000FFF / ASID: H'80

Bus cycle: Instruction fetch (after executing the instruction)

— Channel 1

Address: H'00008010 / Address mask: H'00000006 / ASID: H'70

Data: H'00000000 / Data mask: H'00000000 / Execution count: H'00000000

Bus cycle: Instruction fetch (before executing the instruction)

Data values and execution count are not included in the conditions.

With the above settings, the user break occurs after executing the instruction at address H'00008000 to H'00008FFE where ASID is H'80 or before executing the instruction at address H'00008010 to H'00008016 where ASID is H'70.

(2) Match Conditions Are Specified for an Operand Access Cycle

• Example 2-1

Register settings: CBR0 = H'40800023 / CRR0 = H'00002001 / CAR0 = H'00123456 /
CAMR0 = H'00000000 / CBR1 = H'4070A025 / CRR1 = H'00002001 / CAR1 =
H'000ABCDE / CAMR1 = H'000000FF / CDR1 = H'0000A512 / CDMR1 = H'00000000 /
CETR1 = H'00000000 / CBCR = H'00000000

Specified conditions: Independent for channels 0 and 1

— Channel 0

Address: H'00123456 / Address mask: H'00000000 / ASID: H'80

Bus cycle: Operand bus, operand access, and read (operand size is not included in the conditions.)

— Channel 1

Address: H'000ABCDE / Address mask: H'000000FF / ASID: H'70

Data: H'0000A512 / Data mask: H'00000000 / Execution count: H'00000000

Bus cycle: Operand bus, operand access, write, and word size

Execution count is not included in the conditions.

With these settings, the user break occurs for channel 0 for the following accesses: longword read access to address H'000123454, word read access to address H'000123456, byte read access to address H'000123456 where ASID is H'80. The user break occurs for channel 1 when word H'A512 is written to address H'000ABC00 to H'000ABCFE where ASID is H'70.

29.6 Usage Notes

1. A desired break may not occur between the time when the instruction for rewriting the UBC register is executed and the time when the written value is actually reflected on the register. After the UBC register is updated, execute one of the following three methods.
 - A. Read the updated UBC register, and execute a branch using the RTE instruction.
(It is not necessary that a branch using the RTE instruction is next to a reading UBC register.)
 - B. Execute the ICBI instruction for any address (including non-cacheable area).
(It is not necessary that the ICBI instruction is next to a reading UBC register.)
 - C. Set 0 (initial value) to IRMCR.R1 before updating the UBC register and update with following sequence.
 - a. Write the UBC register.
 - b. Read the UBC register which is updated at 1.
 - c. Write the value which is read at 2 to the UBC register.

Note: When two or more UBC registers are updated, executing these methods at each updating the UBC registers is not necessary. At only last updating the UBC register, execute one of these methods.

2. The PCB bit of the CRR0 and CRR1 registers is valid only when the instruction fetch is specified as the match condition.
3. If the sequential break conditions are set, the sequential break conditions are satisfied when the conditions for the first and second channels in the sequence are satisfied in this order. Therefore, if the conditions are set so that the conditions for channels 0 and 1 should be satisfied simultaneously for the same bus cycle, the sequential break conditions will not be satisfied, causing no break.
4. For the SLEEP instruction, do not allow the post-instruction-execution break where the instruction fetch cycle is the match condition. For the instructions preceding the SLEEP instruction by one to five instructions, do not allow the break where the operand access is the match condition.
5. If the user break and other exceptions occur for the same instruction, they are determined according to the specified priority. For the priority, refer to section 5, Exception Handling. If the exception having the higher priority occurs, the user break does not occur.
 - The pre-instruction-execution break is accepted prior to any other exception.

- If the post-instruction-execution break and data access break have occurred simultaneously with the re-execution type exception (including the pre-instruction-execution break) having a higher priority, only the re-execution type exception is accepted, and no condition match flags are set. When the exception handling has finished thus clearing the exception source, and when the same instruction has been executed again, the break occurs setting the corresponding flag.
 - If the post-instruction-execution break or operand access break has occurred simultaneously with the completion-type exception (TRAPA) having a higher priority, then no user break occurs; however, the condition match flag is set.
6. When conditions have been satisfied simultaneously and independently for channels 0 and 1, resulting in identical SPC values for both of the breaks, the user break occurs only once. However, the condition match flags are set for both channels. For example,
Instruction at address 110 (post-instruction-execution break for instruction fetch for channel 0)
→ SPC = 112, CCMFR.MF0 = 1
Instruction at address 112 (pre-instruction-execution break for instruction fetch for channel 1)
→ SPC = 112, CCMFR.MF1 = 1
 7. It is not allowed to set the pre-instruction-execution break or the operand break in the delayed slot instruction of the RTE instruction. And if the data value is included in the match conditions of the operand break, do not set the break for the preceding the RTE instruction by one to six instructions.
 8. If the re-execution type exception and the post-instruction-execution break are in conflict for the instruction requiring two or more execution states, then the re-execution type exception occurs. Here, the CCMFR.MF0 (or CCMFR.MF1) bit may or may not be set to 1 when the break conditions have been satisfied.

Section 30 User Debugging Interface (H-UDI)

The H-UDI is a serial input/output interface which supports to a subset of JTAG (IEEE 1149.1). The H-UDI is used to connect emulators.

30.1 Features

The H-UDI is a serial input/output interface which supports to a subset of JTAG (IEEE 1149.1: IEEE Standard Test Access Port and Boundary-Scan Architecture). The H-UDI is used to connect emulators. Do not use the JTAG functions of this interface when using an emulator. For the method of connecting the emulator, see emulator manuals.

The H-UDI has six pins, the TCK, TMS, TDI, TDO, $\overline{\text{TRST}}$, and $\overline{\text{ASEBRK/BRKACK}}$ pins. The pin functions except $\overline{\text{ASEBRK/BRKACK}}$, and serial transfer protocols conform to JTAG with the subset. Also, the H-UDI has six signals (AUDSYNC, AUDCK, and AUDATA3 to AUDATA0) used for emulator pins, and a signal (MPMD) for the chip mode select pin.

In the H-UDI in this LSI, the boundary-scan test access port (TAP) controller is separated from the TAP controller for other H-UDI function control. When the $\overline{\text{TRST}}$ is asserted (including when the power is turned on), the boundary-scan TAP controller is selected. Therefore, the switching command should be input to use the H-UDI functions. The boundary-scan TAP controller cannot be accessed through the CPU.

Figure 30.1 shows a block diagram of the H-UDI.

The H-UDI circuit has TAP controllers and four registers (SDBPR, SDBSR, SDIR, and SDINT). SDBPR supports the JTAG bypass mode, SDBSR supports the JTAG boundary scan mode, SDIR is used for commands, and SDINT is used for H-UDI interrupts. SDIR can be directly accessed through the TDI and TDO pins.

Without reset pins of the chip, the TAP controller, control registers, and boundary-scan TAP controller are reset when the $\overline{\text{TRST}}$ pin is set to low or when five or more TCK cycles are elapsed after TMS is set to 1. The other circuits are reset in a normal reset period, and initialized.

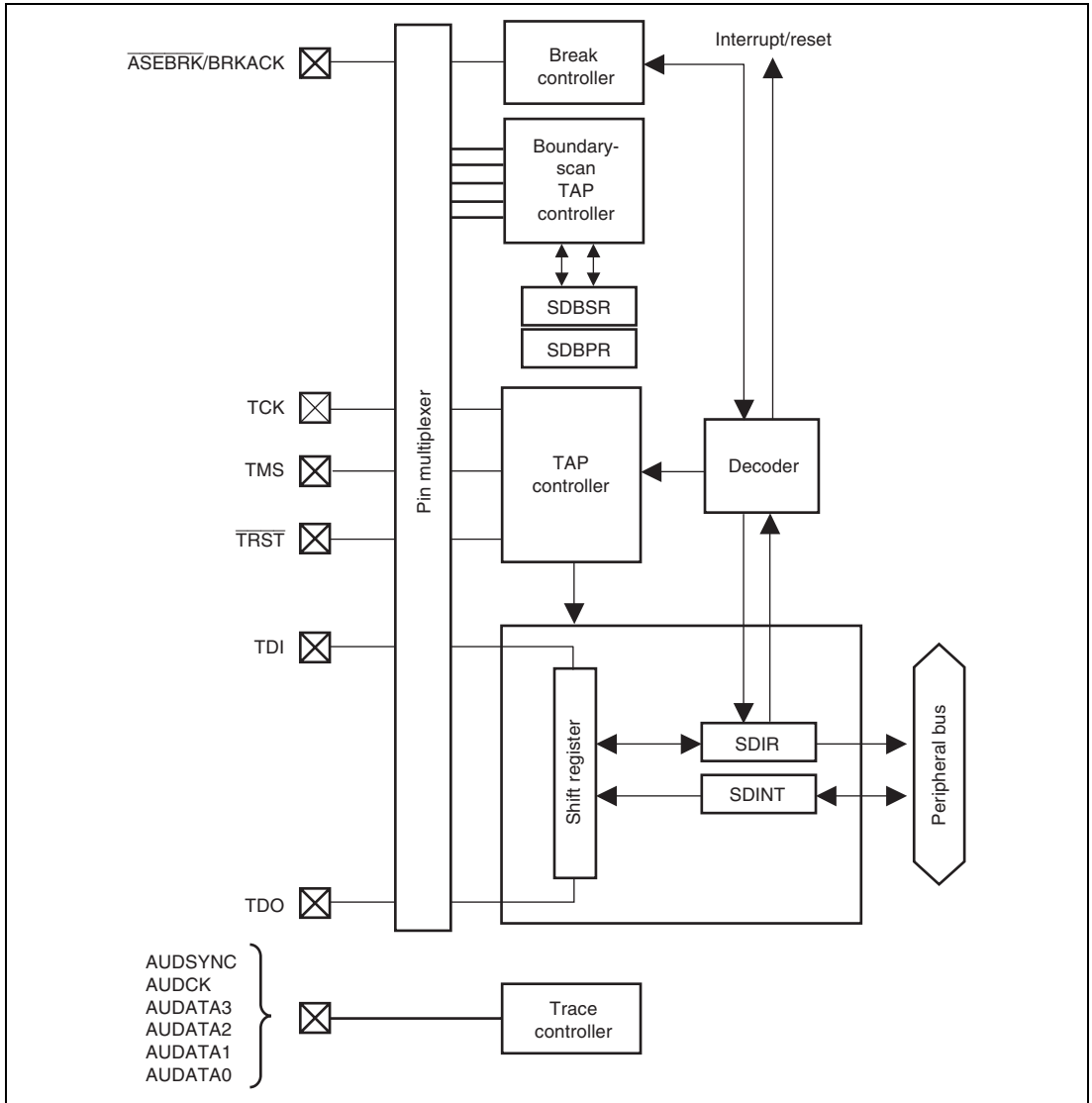


Figure 30.1 Block Diagram of H-UDI

30.2 Input/Output Pins

Table 30.1 shows the pin configuration of the H-UDI.

Table 30.1 Pin Configuration of H-UDI

Pin Name	Function	I/O	Description	When Not in Use
TCK	Clock	Input	The functions are the same as the serial clock input pin of JTAG. In synchronization with this signal, data is sent from the TDI pin to the H-UDI circuit or data is read from the TDO pin.	Open* ¹
TMS	Mode	Input	Mode Select Input Pin The meaning of data input from the TDI pin is determined by changing this signal in synchronization with TCK. The protocol supports JTAG (IEEE 1149.1) with the subset.	Open* ¹
$\overline{\text{TRST}}$ * ²	Reset	Input	H-UDI Reset Input Pin This signal is received without relating to TCK. The JTAG interface circuit is reset when this signal is at a low level. Regardless of whether JTAG is used or not, $\overline{\text{TRST}}$ should be set to a low level during a specific period when power is turned on. This does not conform to the IEEE standard.	Fixed to ground or connected to the $\overline{\text{PRESET}}$ pin* ³
TDI	Data input	Input	Data Input Pin Data is sent to the H-UDI circuit by changing this signal in synchronization with TCK.	Open* ¹
TDO	Data output	Output	Data Output Pin Data is read from the H-UDI circuit by reading this signal in synchronization with TCK.	Open
$\overline{\text{ASEBRK}}/\overline{\text{BRKACK}}$	Emulator	I/O	Pins for emulators	Open* ¹
AUDSYNC, AUDCK, AUDATA3 to AUDATA0	Emulator	Output	Pins for emulators	Open
MPMD	Chip-mode	Input	Indicates whether the operating mode of this LSI is emulation support mode (MPMD = 0) or chip mode (MPMD = 1).	Open

- Notes:
1. This pin is pulled up in the chip. In designing the board that can connect an emulator, or using interrupts or resets through the H-UDI, there is no problem with putting the pull-up resistor outside this LSI.
 2. In designing the board that can connect an emulator, or using interrupts or resets through the H-UDI, the $\overline{\text{TRST}}$ pin should be set so that it can be held low while the $\overline{\text{PRESET}}$ signal is low after power is turned on and the $\overline{\text{TRST}}$ pin can be controlled independently.
 3. This pin should be connected to ground, or connected to the same signal as the $\overline{\text{PRESET}}$, or a pin which operates in the same way as the $\overline{\text{PRESET}}$ pin. When this pin is connected to ground, the following problem occurs. Since the $\overline{\text{TRST}}$ pin is pulled up within this LSI, weak current runs when the pin is connected to ground outside the LSI. The current depends on a resistance of the pull-up for the port pin. Although this current does not affect the operation of this LSI, it consumes unnecessary power.

The TCK clock or the CPG of this LSI should be set so that the frequency of the TCK clock is less than that of the peripheral clock of this LSI. For details of the setting of the CPG, see section 15, Clock Pulse Generator (CPG).

30.3 Register Description

The H-UDI has the following registers.

Table 30.2 Register Configuration (1)

CPU Side						
Register Name	Abbreviation	R/W	Area P4 Address	Area 7 Address	Size	Sync Clock
Instruction register	SDIR	R	H'FC11 0000	H'1C11 0000	16	Pck
Interrupt source register	SDINT	R/W	H'FC11 0018	H'1C11 0018	16	Pck
Boundary scan register	SDBSR	—	—	—	—	—
Bypass register	SDBPR	—	—	—	—	—

Table 30.3 Register Configuration (2)

H-UDI Side				
Register Name	Abbreviation	R/W	Size	Sync Clock
Instruction register	SDIR	R/W* ¹	32	Pck
Interrupt source register	SDINT	W* ²	32	Pck
Boundary scan register	SDBSR	R/W	—	—
Bypass register	SDBPR	R/W	1	—

Notes: 1. The read value from the H-UDI is always fixed to H'FFFF FFFD.

2. 1 can be written to the LSB by the H-UDI interrupt command.

Table 30.4 Register States in Each Processing State

Register Name	Abbreviation	Power-On Reset	Manual Reset	Module Standby	Sleep	Deep Sleep
Instruction register	SDIR	H'0EFF	Retained	Retained	Retained	Retained
Interrupt source register	SDINT	H'0000	Retained	Retained	Retained	Retained

30.3.1 Instruction Register (SDIR)

SDIR is a 16-bit read-only register that can be read from the CPU. Commands are set via the serial input pin (TDI). SDIR is initialized by $\overline{\text{TRST}}$ or in the Test-Logic-Reset state of the TAP. This register can be written to by the H-UDI, regardless of the CPU mode. Operation is not guaranteed when a reserved command is set to this register.

Bit:	15	14	13	12	11	10	9	8	7	6	5	4	3	2	1	0
	TI								—	—	—	—	—	—	—	—
Initial value:	0	0	0	0	1	1	1	0	1	1	1	1	1	1	1	1
R/W:	R	R	R	R	R	R	R	R	R	R	R	R	R	R	R	R

Bit	Bit Name	Initial Value	R/W	Description
15 to 8	TI	0000 1110	R	Test Instruction Bits 7 to 0 0110 xxxx: H-UDI reset negate 0111 xxxx: H-UDI reset assert 101x xxxx: H-UDI interrupt 0000 1110: Initial state Other than above: Setting prohibited
7 to 0	—	All 1	R	Reserved These bits are always read as 1.

30.3.2 Interrupt Source Register (SDINT)

SDINT is a 16-bit register that can be read from or written to by the CPU. If the H-UDI interrupt command (Update-IR) is set to SDIR, the INTREQ bit is set to 1. When an H-UDI interrupt command is set in SDIR, SDINT is connected between the TDI and TDO pins, and becomes a 32-bit readable register. In this case, the upper 16 bits are 0 and the lower 16 bits are values specified in SDINT.

Only 0 can be written to the INTREQ bit by the CPU. While this bit is set to 1, an interrupt request continues to be generated. Therefore, clear this bit to 0 in an interrupt handler and read this bit again to confirm that this bit is cleared. This register is initialized by $\overline{\text{TRST}}$ or in the test-logic-reset state.

Bit:	15	14	13	12	11	10	9	8	7	6	5	4	3	2	1	0
	—	—	—	—	—	—	—	—	—	—	—	—	—	—	—	INTREQ
Initial value:	0	0	0	0	0	0	0	0	0	0	0	0	0	0	0	0
R/W:	R	R	R	R	R	R	R	R	R	R	R	R	R	R	R	R/W

Bit	Bit Name	Initial Value	R/W	Description
15 to 1	—	All 0	R	Reserved These bits are always read as 0. The write value should always be 0.
0	INTREQ	0	R/W	Interrupt Request Indicates whether or not an interrupt by an H-UDI interrupt command has occurred. Clearing this bit to 0 by the CPU cancels an interrupt request. When writing 1 to this bit, the previous value is maintained.

30.3.3 Bypass Register (SDBPR)

SDBPR is a 1-bit register that supports the JTAG bypass mode. When the BYPASS command is set to the boundary-scan TAP controller, SDBPR is connected between the TDI and TDO pins. This register cannot be accessed through the CPU. This register is not initialized by a power-on reset or assertion of $\overline{\text{TRST}}$, but it is initialized to 0 by the Capture-DR state.

30.3.4 Boundary Scan Register (SDBSR)

SDBSR is a register that supports the JTAG boundary scan mode. SDBSR is a shift register that is located on the PAD, to control the input/output pins. By using the SAMPLE/PRELOAD and EXTEST commands, this register can perform the boundary scan test that supports the JTAG standard (IEEE 1149.1) with the subset. This register cannot be accessed through the CPU, regardless of chip mode. This register is not initialized by a power-on reset or assertion of $\overline{\text{TRST}}$.

Table 30.5 Boundary Scan Register Configuration

Number	Pin Name	Type	Number	Pin Name	Type
	From TDI		525	DREQ0	Control
550	DRAK2/ $\overline{CE2A}$	Input	524	DREQ0	Output
549	DRAK2/ $\overline{CE2A}$	Control	523	\overline{BACK}	Input
548	DRAK2/ $\overline{CE2A}$	Output	522	\overline{BACK}	Control
547	DACK3/SCK2/MMCDAT/SIOF SCK1	Input	521	\overline{BACK}	Output
546	DACK3/SCK2/MMCDAT/SIOF SCK1	Control	520	\overline{BREQ}	Input
545	DACK3/SCK2/MMCDAT/SIOF SCK1	Output	519	\overline{BREQ}	Control
544	DACK2/TXD2/MMCCMD/SIOF TXD1	Input	518	\overline{BREQ}	Output
543	DACK2/TXD2/MMCCMD/SIOF TXD1	Control	517	STATUS1/DRAK1	Input
542	DACK2/TXD2/MMCCMD/SIOF TXD1	Output	516	STATUS1/DRAK1	Control
541	DACK1	Input	515	STATUS1/DRAK1	Output
540	DACK1	Control	514	STATUS0/DRAK0	Input
539	DACK1	Output	513	STATUS0/DRAK0	Control
538	DACK0	Input	512	STATUS0/DRAK0	Output
537	DACK0	Control	511	$\overline{IRL3}$	Input
536	DACK0	Output	510	$\overline{IRL3}$	Control
535	DREQ3/ \overline{INTC}	Input	509	$\overline{IRL3}$	Output
534	DREQ3/ \overline{INTC}	Control	508	$\overline{IRL2}$	Input
533	DREQ3/ \overline{INTC}	Output	507	$\overline{IRL2}$	Control
532	DREQ2/ \overline{INTB}	Input	506	$\overline{IRL2}$	Output
531	DREQ2/ \overline{INTB}	Control	505	$\overline{IRL1}$	Input
530	DREQ2/ \overline{INTB}	Output	504	$\overline{IRL1}$	Control
529	DREQ1	Input	503	$\overline{IRL1}$	Output
528	DREQ1	Control	502	$\overline{IRL0}$	Input
527	DREQ1	Output	501	$\overline{IRL0}$	Control
526	DREQ0	Input	500	$\overline{IRL0}$	Output

Number	Pin Name	Type	Number	Pin Name	Type
499	NMI	Input	467	REQ0/REQOUT	Control
498	NMI	Control	466	REQ0/REQOUT	Output
497	NMI	Output	465	PERR	Input
496	INTA	Input	464	PERR	Control
495	INTA	Control	463	PERR	Output
494	INTA	Output	462	SERR	Input
493	CLK/DCLKIN	Input	461	SERR	Control
492	PCIRESET	Input	460	SERR	Output
491	PCIRESET	Control	459	STOP/CDE	Input
490	PCIRESET	Output	458	STOP/CDE	Control
489	GNT3/MMCCLK	Input	457	STOP/CDE	Output
488	GNT3/MMCCLK	Control	456	PAR	Input
487	GNT3/MMCCLK	Output	455	PAR	Control
486	GNT2	Input	454	PAR	Output
485	GNT2	Control	453	DEVSEL/DCLKOUT	Input
484	GNT2	Output	452	DEVSEL/DCLKOUT	Control
483	GNT1	Input	451	DEVSEL/DCLKOUT	Output
482	GNT1	Control	450	LOCK/ODDF	Input
481	GNT1	Output	449	LOCK/ODDF	Control
480	REQ3/MMCCD	Input	448	LOCK/ODDF	Output
479	REQ3/MMCCD	Control	447	IDSEL	Input
478	REQ3/MMCCD	Output	446	IDSEL	Control
477	REQ2	Input	445	IDSEL	Output
476	REQ2	Control	444	TRDY/DISP	Input
475	REQ2	Output	443	TRDY/DISP	Control
474	REQ1	Input	442	TRDY/DISP	Output
473	REQ1	Control	441	IRDY/HSYNC	Input
472	REQ1	Output	440	IRDY/HSYNC	Control
471	GNT0/GNTIN	Input	439	IRDY/HSYNC	Output
470	GNT0/GNTIN	Control	438	FRAME/VSYNC	Input
469	GNT0/GNTIN	Output	437	FRAME/VSYNC	Control
468	REQ0/REQOUT	Input	436	FRAME/VSYNC	Output

30. User Debugging Interface (H-UDI)

Number	Pin Name	Type	Number	Pin Name	Type
435	$\overline{WE7/CBE3}$	Input	403	D57/AD25	Output
434	$\overline{WE7/CBE3}$	Control	402	D56/AD24	Input
433	$\overline{WE7/CBE3}$	Output	401	D56/AD24	Control
432	$\overline{WE6/CBE2}$	Input	400	D56/AD24	Output
431	$\overline{WE6/CBE2}$	Control	399	D55/AD23	Input
430	$\overline{WE6/CBE2}$	Output	398	D55/AD23	Control
429	$\overline{WE5/CBE1}$	Input	397	D55/AD23	Output
428	$\overline{WE5/CBE1}$	Control	396	D54/AD22	Input
427	$\overline{WE5/CBE1}$	Output	395	D54/AD22	Control
426	$\overline{WE4/CBE0}$	Input	394	D54/AD22	Output
425	$\overline{WE4/CBE0}$	Control	393	D53/AD21	Input
424	$\overline{WE4/CBE0}$	Output	392	D53/AD21	Control
423	D63/AD31	Input	391	D53/AD21	Output
422	D63/AD31	Control	390	D52/AD20	Input
421	D63/AD31	Output	389	D52/AD20	Control
420	D62/AD30	Input	388	D52/AD20	Output
419	D62/AD30	Control	387	D51/AD19	Input
418	D62/AD30	Output	386	D51/AD19	Control
417	D61/AD29	Input	385	D51/AD19	Output
416	D61/AD29	Control	384	D50/AD18	Input
415	D61/AD29	Output	383	D50/AD18	Control
414	D60/AD28	Input	382	D50/AD18	Output
413	D60/AD28	Control	381	D49/AD17/DB5	Input
412	D60/AD28	Output	380	D49/AD17/DB5	Control
411	D59/AD27	Input	379	D49/AD17/DB5	Output
410	D59/AD27	Control	378	D48/AD16/DB4	Input
409	D59/AD27	Output	377	D48/AD16/DB4	Control
408	D58/AD26	Input	376	D48/AD16/DB4	Output
407	D58/AD26	Control	375	D47/AD15/DB3	Input
406	D58/AD26	Output	374	D47/AD15/DB3	Control
405	D57/AD25	Input	373	D47/AD15/DB3	Output
404	D57/AD25	Control	372	D46/AD14/DB2	Input

Number	Pin Name	Type	Number	Pin Name	Type
371	D46/AD14/DB2	Control	340	D36/AD4/DR4	Output
370	D46/AD14/DB2	Output	339	D35/AD3/DR3	Input
369	D45/AD13/DB1	Input	338	D35/AD3/DR3	Control
368	D45/AD13/DB1	Control	337	D35/AD3/DR3	Output
367	D45/AD13/DB1	Output	336	D34/AD2/DR2	Input
366	D44/AD12/DB0	Input	335	D34/AD2/DR2	Control
365	D44/AD12/DB0	Control	334	D34/AD2/DR2	Output
364	D44/AD12/DB0	Output	333	D33/AD1/DR1	Input
363	D43/AD11/DG5	Input	332	D33/AD1/DR1	Control
362	D43/AD11/DG5	Control	331	D33/AD1/DR1	Output
361	D43/AD11/DG5	Output	330	D32/AD0/DR0	Input
360	D42/AD10/DG4	Input	329	D32/AD0/DR0	Control
359	D42/AD10/DG4	Control	328	D32/AD0/DR0	Output
358	D42/AD10/DG4	Output	327	CLKOUTENB	Input
357	D41/AD9/DG3	Input	326	CLKOUTENB	Control
356	D41/AD9/DG3	Control	325	CLKOUTENB	Output
355	D41/AD9/DG3	Output	324	CLKOUT	Input
354	D40/AD8/DG2	Input	323	CLKOUT	Control
353	D40/AD8/DG2	Control	322	CLKOUT	Output
352	D40/AD8/DG2	Output	321	$\overline{\text{RDY}}$	Input
351	D39/AD7/DG1	Input	320	$\overline{\text{RDY}}$	Control
350	D39/AD7/DG1	Control	319	$\overline{\text{RDY}}$	Output
349	D39/AD7/DG1	Output	318	$\overline{\text{WE3}}$	Input
348	D38/AD6/DG0	Input	317	$\overline{\text{WE3}}$	Control
347	D38/AD6/DG0	Control	316	$\overline{\text{WE3}}$	Output
346	D38/AD6/DG0	Output	315	$\overline{\text{WE2}}$	Input
345	D37/AD5/DR5	Input	314	$\overline{\text{WE2}}$	Control
344	D37/AD5/DR5	Control	313	$\overline{\text{WE2}}$	Output
343	D37/AD5/DR5	Output	312	$\overline{\text{WE1}}$	Input
342	D36/AD4/DR4	Input	311	$\overline{\text{WE1}}$	Control
341	D36/AD4/DR4	Control	310	$\overline{\text{WE1}}$	Output

Number	Pin Name	Type	Number	Pin Name	Type
309	$\overline{WE0}$	Input	277	$\overline{CS0}$	Output
308	$\overline{WE0}$	Control	276	A25	Input
307	$\overline{WE0}$	Output	275	A25	Control
306	\overline{BS}	Input	274	A25	Output
305	\overline{BS}	Control	273	A24	Input
304	\overline{BS}	Output	272	A24	Control
303	R/W	Input	271	A24	Output
302	R/W	Control	270	A23	Input
301	R/W	Output	269	A23	Control
300	\overline{RD}	Input	268	A23	Output
299	\overline{RD}	Control	267	A22	Input
298	\overline{RD}	Output	266	A22	Control
297	$\overline{CS6}$	Input	265	A22	Output
296	$\overline{CS6}$	Control	264	A21	Input
295	$\overline{CS6}$	Output	263	A21	Control
294	$\overline{CS5}$	Input	262	A21	Output
293	$\overline{CS5}$	Control	261	A20	Input
292	$\overline{CS5}$	Output	260	A20	Control
291	$\overline{CS4}$	Input	259	A20	Output
290	$\overline{CS4}$	Control	258	A19	Input
289	$\overline{CS4}$	Output	257	A19	Control
288	$\overline{CS3}$	Input	256	A19	Output
287	$\overline{CS3}$	Control	255	A18	Input
286	$\overline{CS3}$	Output	254	A18	Control
285	$\overline{CS2}$	Input	253	A18	Output
284	$\overline{CS2}$	Control	252	A17	Input
283	$\overline{CS2}$	Output	251	A17	Control
282	$\overline{CS1}$	Input	250	A17	Output
281	$\overline{CS1}$	Control	249	A16	Input
280	$\overline{CS1}$	Output	248	A16	Control
279	$\overline{CS0}$	Input	247	A16	Output
278	$\overline{CS0}$	Control	246	A15	Input

Number	Pin Name	Type	Number	Pin Name	Type
245	A15	Control	213	A4	Input
244	A15	Output	212	A4	Control
243	A14	Input	211	A4	Output
242	A14	Control	210	A3	Input
241	A14	Output	209	A3	Control
240	A13	Input	208	A3	Output
239	A13	Control	207	A2	Input
238	A13	Output	206	A2	Control
237	A12	Input	205	A2	Output
236	A12	Control	204	A1	Input
235	A12	Output	203	A1	Control
234	A11	Input	202	A1	Output
233	A11	Control	201	A0	Input
232	A11	Output	200	A0	Control
231	A10	Input	199	A0	Output
230	A10	Control	198	D31	Input
229	A10	Output	197	D31	Control
228	A9	Input	196	D31	Output
227	A9	Control	195	D30	Input
226	A9	Output	194	D30	Control
225	A8	Input	193	D30	Output
224	A8	Control	192	D29	Input
223	A8	Output	191	D29	Control
222	A7	Input	190	D29	Output
221	A7	Control	189	D28	Input
220	A7	Output	188	D28	Control
219	A6	Input	187	D28	Output
218	A6	Control	186	D27	Input
217	A6	Output	185	D27	Control
216	A5	Input	184	D27	Output
215	A5	Control	183	D26	Input
214	A5	Output	182	D26	Control

Number	Pin Name	Type	Number	Pin Name	Type
181	D26	Output	149	D15	Control
180	D25	Input	148	D15	Output
179	D25	Control	147	D14	Input
178	D25	Output	146	D14	Control
177	D24	Input	145	D14	Output
176	D24	Control	144	D13	Input
175	D24	Output	143	D13	Control
174	D23	Input	142	D13	Output
173	D23	Control	141	D12	Input
172	D23	Output	140	D12	Control
171	D22	Input	139	D12	Output
170	D22	Control	138	D11	Input
169	D22	Output	137	D11	Control
168	D21	Input	136	D11	Output
167	D21	Control	135	D10	Input
166	D21	Output	134	D10	Control
165	D20	Input	133	D10	Output
164	D20	Control	132	D9	Input
163	D20	Output	131	D9	Control
162	D19	Input	130	D9	Output
161	D19	Control	129	D8	Input
160	D19	Output	128	D8	Control
159	D18	Input	127	D8	Output
158	D18	Control	126	D7	Input
157	D18	Output	125	D7	Control
156	D17	Input	124	D7	Output
155	D17	Control	123	D6	Input
154	D17	Output	122	D6	Control
153	D16	Input	121	D6	Output
152	D16	Control	120	D5	Input
151	D16	Output	119	D5	Control
150	D15	Input	118	D5	Output

Number	Pin Name	Type	Number	Pin Name	Type
117	D4	Input	86	MODE9/TXD4/FD1	Input
116	D4	Control	85	MODE9/TXD4/FD1	Control
115	D4	Output	84	MODE9/TXD4/FD1	Output
114	D3	Input	83	MODE8/SCK3/FD0	Input
113	D3	Control	82	MODE8/SCK3/FD0	Control
112	D3	Output	81	MODE8/SCK3/FD0	Output
111	D2	Input	80	MODE7/RXD3/FALE	Input
110	D2	Control	79	MODE7/RXD3/FALE	Control
109	D2	Output	78	MODE7/RXD3/FALE	Output
108	D1	Input	77	MODE6/SIOFSYNC1	Input
107	D1	Control	76	MODE6/SIOFSYNC1	Control
106	D1	Output	75	MODE6/SIOFSYNC1	Output
105	D0	Input	74	MODE5/SIOFMCLK1	Input
104	D0	Control	73	MODE5/SIOFMCLK1	Control
103	D0	Output	72	MODE5/SIOFMCLK1	Output
102	MRESETOUT/IRQOUT	Input	71	MODE4/TXD3/FCLE	Input
101	MRESETOUT/IRQOUT	Control	70	MODE4/TXD3/FCLE	Control
100	MRESETOUT/IRQOUT	Output	69	MODE4/TXD3/FCLE	Output
99	MODE14	Input	68	MODE3/IRL7/FD7	Input
98	MODE13/TCLK/IOIS16	Input	67	MODE3/IRL7/FD7	Control
97	MODE13/TCLK/IOIS16	Control	66	MODE3/IRL7/FD7	Output
96	MODE13/TCLK/IOIS16	Output	65	MODE2/IRL6/FD6	Input
95	MODE12/DRAK3/CE2B	Input	64	MODE2/IRL6/FD6	Control
94	MODE12/DRAK3/CE2B	Control	63	MODE2/IRL6/FD6	Output
93	MODE12/DRAK3/CE2B	Output	62	MODE1/IRL5/FD5	Input
92	MODE11/SCK4/FD3	Input	61	MODE1/IRL5/FD5	Control
91	MODE11/SCK4/FD3	Control	60	MODE1/IRL5/FD5	Output
90	MODE11/SCK4/FD3	Output	59	MODE0/IRL4/FD4	Input
89	MODE10/RXD4/FD2	Input	58	MODE0/IRL4/FD4	Control
88	MODE10/RXD4/FD2	Control	57	MODE0/IRL4/FD4	Output
87	MODE10/RXD4/FD2	Output	56	SCK5/HAC1/SDOUT/SSI1/ SDATA	Input

30. User Debugging Interface (H-UDI)

Number	Pin Name	Type	Number	Pin Name	Type
55	SCK5/HAC1/SDOUT/SSI1/ SDATA	Control	26	SCK1	Input
54	SCK5/HAC1/SDOUT/SSI1/ SDATA	Output	25	SCK1	Control
53	RXD5/HAC1/SDIN/SSI1/SCK	Input	24	SCK1	Output
52	RXD5/HAC1/SDIN/SSI1/SCK	Control	23	RXD1	Input
51	RXD5/HAC1/SDIN/SSI1/SCK	Output	22	RXD1	Control
50	TXD5/HAC1/SYNC/SSI1/WS	Input	21	RXD1	Output
49	TXD5/HAC1/SYNC/SSI1/WS	Control	20	TXD1	Input
48	TXD5/HAC1/SYNC/SSI1/WS	Output	19	TXD1	Control
47	HAC1/BITCLK/SSI1/CLK	Input	18	TXD1	Output
46	HAC1/BITCLK/SSI1/CLK	Control	17	$\overline{\text{CTS0}}/\overline{\text{INTD}}/\overline{\text{FCE}}$	Input
45	HAC1/BITCLK/SSI1/CLK	Output	16	$\overline{\text{CTS0}}/\overline{\text{INTD}}/\overline{\text{FCE}}$	Control
44	TXD/HAC0/SDOUT/SSI0/SDATA	Input	15	$\overline{\text{CTS0}}/\overline{\text{INTD}}/\overline{\text{FCE}}$	Output
43	TXD/HAC0/SDOUT/SSI0/SDATA	Control	14	$\overline{\text{RTS0}}/\overline{\text{HSPI}}/\overline{\text{CS}}/\overline{\text{FSE}}$	Input
42	TXD/HAC0/SDOUT/SSI0/SDATA	Output	13	$\overline{\text{RTS0}}/\overline{\text{HSPI}}/\overline{\text{CS}}/\overline{\text{FSE}}$	Control
41	RXD/HAC0/SDIN/SSI0/SCK	Input	12	$\overline{\text{RTS0}}/\overline{\text{HSPI}}/\overline{\text{CS}}/\overline{\text{FSE}}$	Output
40	RXD/HAC0/SDIN/SSI0/SCK	Control	11	SCK0/HSPI/CLK/FRE	Input
39	RXD/HAC0/SDIN/SSI0/SCK	Output	10	SCK0/HSPI/CLK/FRE	Control
38	SYNC/HAC0/SYNC/SSI0/WS	Input	9	SCK0/HSPI/CLK/FRE	Output
37	SYNC/HAC0/SYNC/SSI0/WS	Control	8	RXD0/HSPI/RX/FR/ $\overline{\text{B}}$	Input
36	SYNC/HAC0/SYNC/SSI0/WS	Output	7	RXD0/HSPI/RX/FR/ $\overline{\text{B}}$	Control
35	MCLK/HAC/ $\overline{\text{RES}}$	Input	6	RXD0/HSPI/RX/FR/ $\overline{\text{B}}$	Output
34	MCLK/HAC/ $\overline{\text{RES}}$	Control	5	TXD0/HSPI/TX/ $\overline{\text{FWE}}$	Input
33	MCLK/HAC/ $\overline{\text{RES}}$	Output	4	TXD0/HSPI/TX/ $\overline{\text{FWE}}$	Control
32	SCK/HAC0/BITCLK/SSI0/CLK	Input	3	TXD0/HSPI/TX/ $\overline{\text{FWE}}$	Output
31	SCK/HAC0/BITCLK/SSI0/CLK	Control	2	$\overline{\text{ASEBRK}}$	Input
30	SCK/HAC0/BITCLK/SSI0/CLK	Output	1	$\overline{\text{ASEBRK}}$	Control
29	RXD2/SIOFRXD1	Input	0	$\overline{\text{ASEBRK}}$	Output
28	RXD2/SIOFRXD1	Control		To TDO	
27	RXD2/SIOFRXD1	Output			

Note: * Control means a low-active signal. When a low-active signal is driven low, the corresponding pin is driven by the output value.

30.4 Operation

30.4.1 Boundary-Scan TAP Controller (IDCODE, EXTEST, SAMPLE/PRELOAD, and BYPASS)

In the H-UDI in this LSI, the boundary-scan TAP controller is separated from the TAP controller for other H-UDI function control. When the $\overline{\text{TRST}}$ is asserted (including when the power is turned on), the boundary-scan TAP controller operates and the boundary scan function specified in JTAG can be used. By inputting the switching command, an H-UDI reset and H-UDI interrupts can be used. However, the following restrictions are put on this LSI.

- Clock-related pins (EXTAL and XTAL) are out of the scope of the boundary scan test.
- Reset-related pin ($\overline{\text{PRESET}}$) is out of the scope of the boundary scan test.
- H-UDI-related pins (TCK, TDI, TDO, TMS, $\overline{\text{TRST}}$, AUDSYNC, AUDCK, AUDATA3 to AUDATA0, and MPMD) are out of the scope of the boundary scan test.
- DDRIF-related pins are out of the scope of the boundary scan test.
- During the boundary scan (IDCODE, EXTEST, SAMPLE/PRELOAD, BYPASS, and H-UDI switching command), the maximum frequency of TCK is 10 MHz.
- The access size from the H-UDI to the boundary-scan TAP controller is 8 bits.

The commands supported by the boundary-scan TAP controller are shown below.

Note: During the boundary scan, the MPMD and the $\overline{\text{PRESET}}$ pins should be fixed to high level. When the H-UDI operates in emulation support mode (MPMD = 0), the boundary scan function cannot be used. Figure 30.2 shows the sequence to switch from the boundary-scan TAP controller to the H-UDI.

Table 30.6 Commands Supported by Boundary-Scan TAP Controller

Bit 7	Bit 6	Bit 5	Bit 4	Bit 3	Bit 2	Bit 1	Bit 0	Description
0	1	0	1	0	1	0	1	IDCODE
1	1	1	1	1	1	1	1	BYPASS
0	0	0	0	0	0	0	0	EXTEST
0	1	0	0	0	0	0	0	SAMPLE/PRELOAD
0	0	0	0	1	0	0	0	H-UDI switching command
Other than above								Setting prohibited

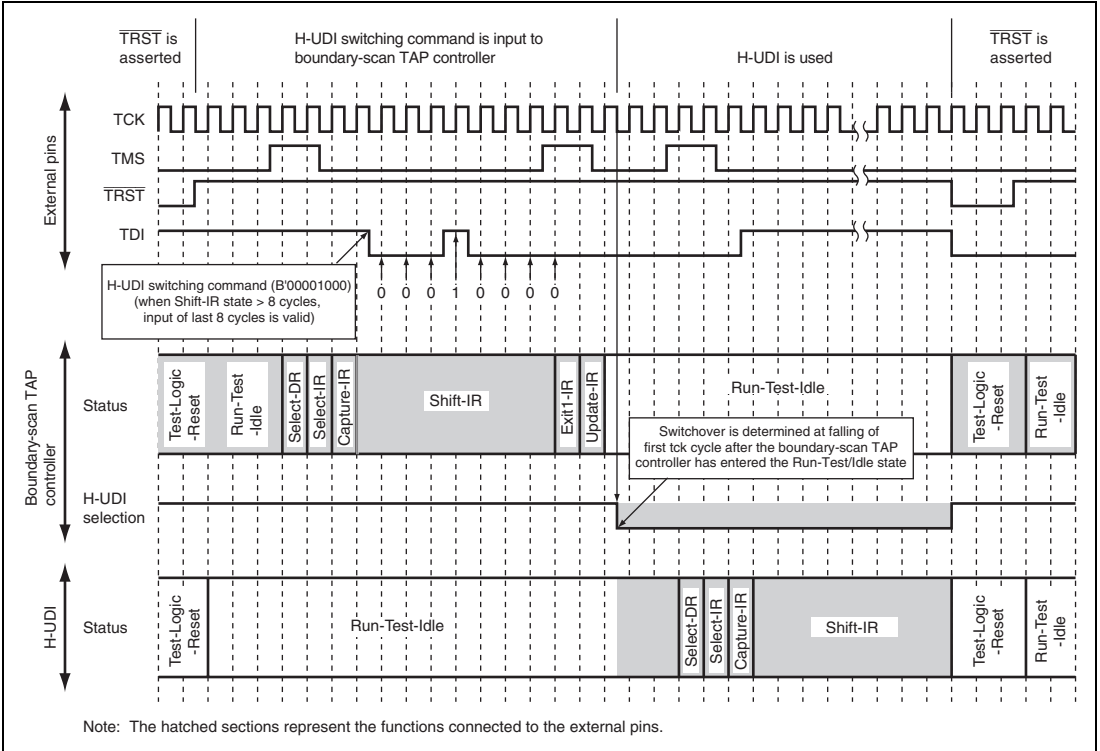


Figure 30.2 Sequence to Switch from Boundary-Scan TAP Controller to H-UDI

30.4.2 TAP Control

Figure 30.3 shows the internal states of the TAP controller. The controller supports the state transitions specified in JTAG with the subset.

- The condition of transition is the TMS value at the rising edge of TCK.
- The TDI value is sampled at the rising edge of TCK and shifted at the falling edge of TCK.
- The TDO value is changed at the falling edge of TCK. The TDO is in the high impedance state other than in the Shift-DR or Shift-IR state.
- When $\overline{\text{TRST}}$ is changed to 0, the transition to the Test-Logic-Reset state is performed asynchronously with the TCK signal.

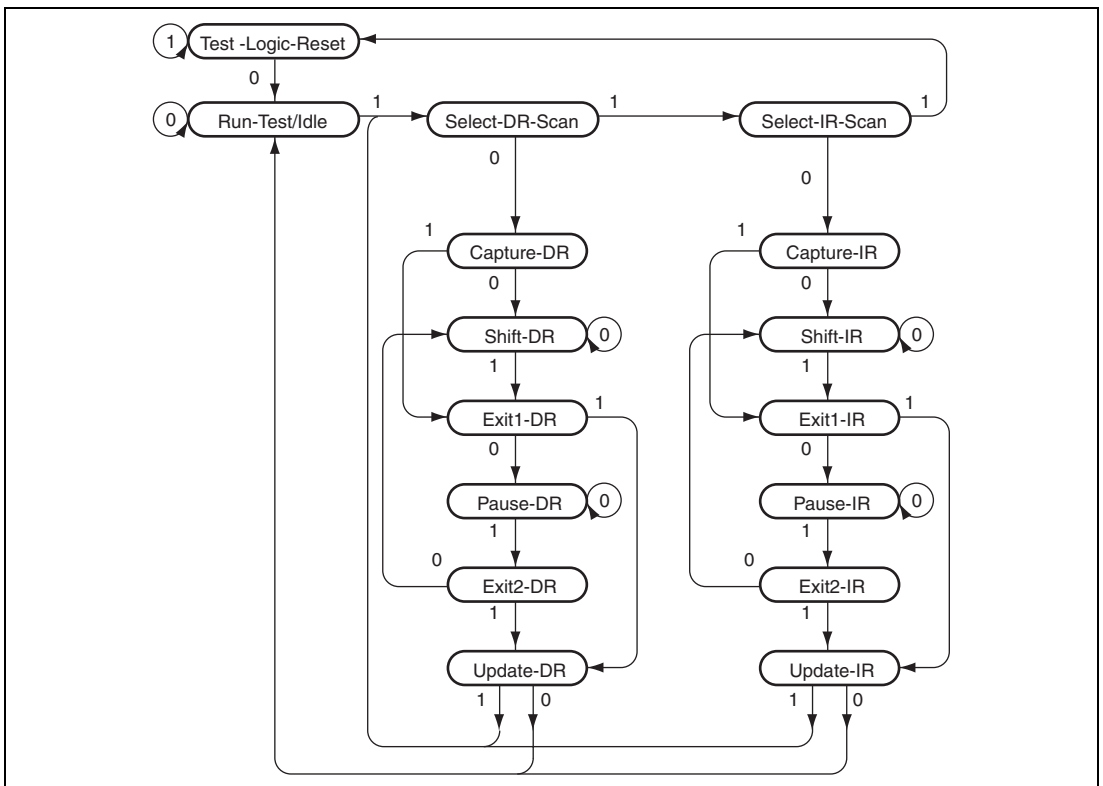


Figure 30.3 Diagram of Transitions of TAP Controller State

30.4.3 H-UDI Reset

The H-UDI is reset by a power-on reset by the SDIR command. To reset the H-UDI, send the H-UDI reset assert command from the H-UDI pin, and then send the H-UDI reset negate command (see figure 30.4). The time required between the H-UDI reset assert and H-UDI reset negate commands is the same as the time to keep the reset pin low in order to reset this LSI by a power-on reset. After the H-UDI reset assert command is set, the reset signal is asserted in the chip after four cycles at a peripheral clock (Pck). When the H-UDI reset negate command is set, the reset signal is negated in the chip after a reset hold period. (The minimum period is 17 cycles at a peripheral clock, and the maximum period is 42 cycles at a peripheral clock. For details, see section 15, Clock Pulse Generator (CPG).)

Note: The WDT/RST module is not initialized. However, the overflow counter of the WDT/RST module is initialized.

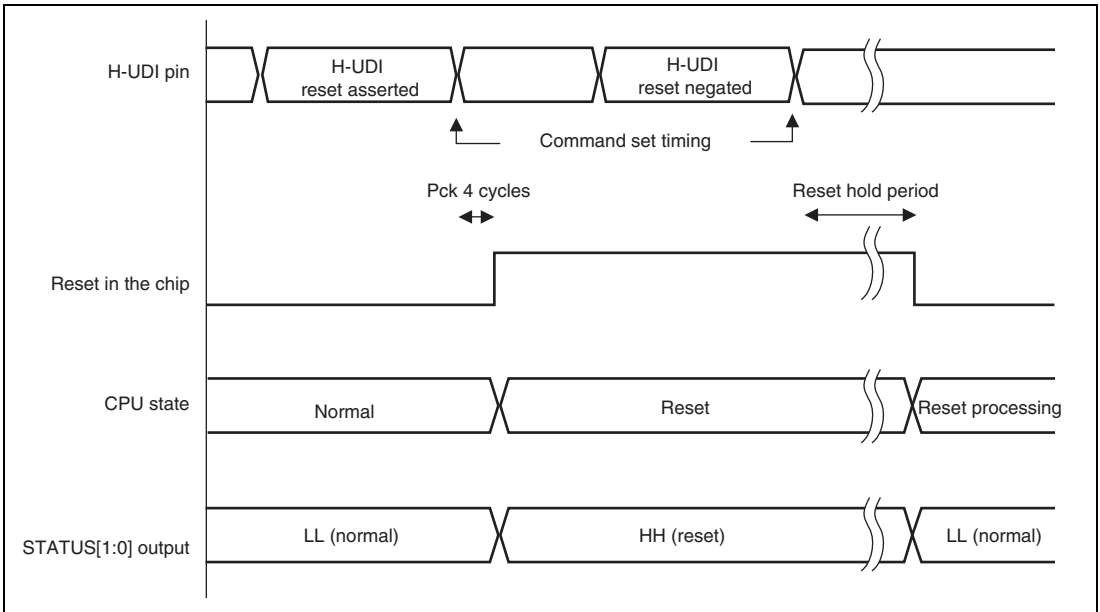


Figure 30.4 H-UDI Reset

30.4.4 H-UDI Interrupt

The H-UDI interrupt function generates an interrupt by setting a command value in SDIR through the H-UDI. The H-UDI interrupt function is general exception or interrupt operation, that is, execution is branched to the address based on VBR and is returned to the branch source by the RTE instruction. In this case, the exception code stored in INTEVT is H'600. Also, the priority of the H-UDI interrupt is controlled by bits 28 to 24 in INT2PRI4. For details, see section 10, Interrupt Controller (INTC).

An H-UDI interrupt request signal is asserted when the INTREQ bit in SDINT is set to 1 after setting the command (Update-IRQ). Since the interrupt request signal is not negated unless the INTREQ bit is cleared to 0 by software, the interrupt request cannot be missed. While the H-UDI interrupt command is set in SDIR, SDINT is connected between the TDI and TDO pins. For values read through the TDO pin and others, see section 30.3.2, Interrupt Source Register (SDINT).

30.5 Usage Notes

1. Once the SDIR command is set, it is not changed unless a command is written through the H-UDI, except the assertion of $\overline{\text{TRST}}$ or initialization by changing the TAP to the Test-Logic-Reset state.
2. Sleep mode and deep sleep mode are released by an H-UDI interrupt or H-UDI reset, and these modes accept the interrupt and reset requests.
3. The H-UDI is used to connect an emulator. Therefore, the JTAG functions cannot be used when an emulator is used.

Section 31 Register List

This section is a summary of the contents of the descriptions of on-chip I/O registers in the individual sections.

31.1 Register Address List

The addresses of the I/O registers incorporated in the SH7785 are listed in table 31.1. The registers are grouped by functional module, and these appear in the same order as the sections of the manual. Since this is a summary, parts of the descriptions, along with the notes, have been omitted. For details on the registers, refer to the descriptions in the corresponding sections.

- Notes:
1. Access to undefined and reserved addresses is prohibited.
 2. Access in an access unit other than that specified in this list is prohibited.
 3. The register addresses are given as the P4-area address (the P4 area of the virtual address space) and the area-7 address (accessed in area 7 of the physical address space by using the TLB).
 4. In the case of the PCIC module, entries under "R/W" indicate the state of the SuperHyway bus in which the given register is accessed.

Table 31.1 Register Address List

Module Name	Name	Abbreviation	R/W	P4 Area Address	Area 7 Address	Access Size
Exception processing	TRAPA exception register	TRA	R/W	H'FF00 0020	H'1F00 0020	32
	Exception event register	EXPEVT	R/W	H'FF00 0024	H'1F00 0024	32
	Interrupt event register	INTEVT	R/W	H'FF00 0028	H'1F00 0028	32
	Non-support detection exception register	EXPMASK	R/W	H'FF2F 0004	H'1F2F 0004	32
MMU	Page table entry high register	PTEH	R/W	H'FF00 0000	H'1F00 0000	32
	Page table entry low register	PTL	R/W	H'FF00 0004	H'1F00 0004	32
	Translation table base register	TTB	R/W	H'FF00 0008	H'1F00 0008	32
	TLB exception address register	TEA	R/W	H'FF00 000C	H'1F00 000C	32
	MMU control register	MMUCR	R/W	H'FF00 0010	H'1F00 0010	32
	Physical address space control register	PASCR	R/W	H'FF00 0070	H'1F00 0070	32
	Instruction re-fetch inhibit control register	IRMCR	R/W	H'FF00 0078	H'1F00 0078	32
	Page table entry assistance register	PTEA	R/W	H'FF00 0034	H'1F00 0034	32
Cache	Cache control register	CCR	R/W	H'FF00 001C	H'1F00 001C	32
	Queue address control register 0	QACR0	R/W	H'FF00 0038	H'1F00 0038	32
	Queue address control register 1	QACR1	R/W	H'FF00 003C	H'1F00 003C	32
	On-chip memory control register	RAMCR	R/W	H'FF00 0074	H'1F00 0074	32
L memory	L memory transfer source address register 0	LSA0	R/W	H'FF000050	H'1F000050	32
	L memory transfer source address register 1	LSA1	R/W	H'FF000054	H'1F000054	32
	L memory transfer destination address register 0	LDA0	R/W	H'FF000058	H'1F000058	32
	L memory transfer destination address register 1	LDA1	R/W	H'FF00005C	H'1F00005C	32
INTC	Interrupt control register 0	ICR0	R/W	H'FFD0 0000	H'1FD0 0000	32
	Interrupt control register 1	ICR1	R/W	H'FFD0 001C	H'1FD0 001C	32
	Interrupt priority register	INTPRI	R/W	H'FFD0 0010	H'1FD0 0010	32
	Interrupt source register	INTREQ	R/(W)*1	H'FFD0 0024	H'1FD0 0024	32
	Interrupt mask register 0	INTMSK0	R/W	H'FFD0 0044	H'1FD0 0044	32
	Interrupt mask register 1	INTMSK1	R/W	H'FFD0 0048	H'1FD0 0048	32
	Interrupt mask register 2	INTMSK2	R/W	H'FFD4 0080	H'1FD4 0080	32
	Interrupt mask clear register 0	INTMSKCLR0	R/W	H'FFD0 0064	H'1FD0 0064	32

Module Name	Name	Abbreviation	R/W	P4 Area Address	Area 7 Address	Access Size
INTC	Interrupt mask clear register 1	INTMSKCLR1	R/W	H'FFD0 0068	H'1FD0 0068	32
	Interrupt mask clear register 2	INTMSKCLR2	R/W	H'FFD4 0084	H'1FD4 0084	32
	NMI flag control register	NMIFCR	R/(W)*2	H'FFD0 00C0	H'1FD0 00C0	32
	User interrupt mask level register	USERIMASK	R/W	H'FFD3 0000	H'1FD3 0000	32
	Interrupt priority register 0	INT2PRI0	R/W	H'FFD4 0000	H'1FD4 0000	32
	Interrupt priority register 1	INT2PRI1	R/W	H'FFD4 0004	H'1FD4 0004	32
	Interrupt priority register 2	INT2PRI2	R/W	H'FFD4 0008	H'1FD4 0008	32
	Interrupt priority register 3	INT2PRI3	R/W	H'FFD4 000C	H'1FD4 000C	32
	Interrupt priority register 4	INT2PRI4	R/W	H'FFD4 0010	H'1FD4 0010	32
	Interrupt priority register 5	INT2PRI5	R/W	H'FFD4 0014	H'1FD4 0014	32
	Interrupt priority register 6	INT2PRI6	R/W	H'FFD4 0018	H'1FD4 0018	32
	Interrupt priority register 7	INT2PRI7	R/W	H'FFD4 001C	H'1FD4 001C	32
	Interrupt priority register 8	INT2PRI8	R/W	H'FFD4 0020	H'1FD4 0020	32
	Interrupt priority register 9	INT2PRI9	R/W	H'FFD4 0024	H'1FD4 0024	32
	Interrupt source register (not affected by the mask state)	INT2A0	R	H'FFD4 0030	H'1FD4 0030	32
	Interrupt source register (affected by the mask state)	INT2A1	R	H'FFD4 0034	H'1FD4 0034	32
	Interrupt mask register	INT2MSKR	R/W	H'FFD4 0038	H'1FD4 0038	32
	Interrupt mask clear register	INT2MSKCLR	R/W	H'FFD4 003C	H'1FD4 003C	32
	On-chip module interrupt source register 0	INT2B0	R	H'FFD4 0040	H'1FD4 0040	32
	On-chip module interrupt source register 1	INT2B1	R	H'FFD4 0044	H'1FD4 0044	32
	On-chip module interrupt source register 2	INT2B2	R	H'FFD4 0048	H'1FD4 0048	32
	On-chip module interrupt source register 3	INT2B3	R	H'FFD4 004C	H'1FD4 004C	32
	On-chip module interrupt source register 4	INT2B4	R	H'FFD4 0050	H'1FD4 0050	32
	On-chip module interrupt source register 5	INT2B5	R	H'FFD4 0054	H'1FD4 0054	32
	On-chip module interrupt source register 6	INT2B6	R	H'FFD4 0058	H'1FD4 0058	32
	On-chip module interrupt source register 7	INT2B7	R	H'FFD4 005C	H'1FD4 005C	32
	GPIO interrupt set register	INT2GPIC	R/W	H'FFD4 0090	H'1FD4 0090	32
LBSC	Memory Address Map Select Register	MMSELR	R/W	H'FF40 0020	H'1F40 0020	32
	Bus Control Register	BCR	R/W	H'FF80 1000	H'1F80 1000	32
	CS0 Bus Control Register	CS0BCR	R/W	H'FF80 2000	H'1F80 2000	32

31. Register List

Module Name	Name	Abbreviation	R/W	P4 Area Address	Area 7 Address	Access Size
LBSC	CS1 Bus Control Register	CS1BCR	R/W	H'FF80 2010	H'1F80 2010	32
	CS2 Bus Control Register	CS2BCR	R/W	H'FF80 2020	H'1F80 2020	32
	CS3 Bus Control Register	CS3BCR	R/W	H'FF80 2030	H'1F80 2030	32
	CS4 Bus Control Register	CS4BCR	R/W	H'FF80 2040	H'1F80 2040	32
	CS5 Bus Control Register	CS5BCR	R/W	H'FF80 2050	H'1F80 2050	32
	CS6 Bus Control Register	CS6BCR	R/W	H'FF80 2060	H'1F80 2060	32
	CS0 Wait Control Register	CS0WCR	R/W	H'FF80 2008	H'1F80 2008	32
	CS1 Wait Control Register	CS1WCR	R/W	H'FF80 2018	H'1F80 2018	32
	CS2 Wait Control Register	CS2WCR	R/W	H'FF80 2028	H'1F80 2028	32
	CS3 Wait Control Register	CS3WCR	R/W	H'FF80 2038	H'1F80 2038	32
	CS4 Wait Control Register	CS4WCR	R/W	H'FF80 2048	H'1F80 2048	32
	CS5 Wait Control Register	CS5WCR	R/W	H'FF80 2058	H'1F80 2058	32
	CS6 Wait Control Register	CS6WCR	R/W	H'FF80 2068	H'1F80 2068	32
	CS5 PCMCIA Control Register	CS5PCR	R/W	H'FF80 2070	H'1F80 2070	32
	CS6 PCMCIA Control Register	CS6PCR	R/W	H'FF80 2080	H'1F80 2080	32
	DDR2IF	DBSC2 status register	DBSTATE	R	H'FE80 000C	H'1E80 000C
SDRAM operation enable register		DBEN	R/W	H'FE80 0010	H'1E80 0010	32
SDRAM command control register		DBCMDCNT	R/W	H'FE80 0014	H'1E80 0014	32
SDRAM configuration setting register		DBCONF	R/W	H'FE80 0020	H'1E80 0020	32
SDRAM timing register 0		DBTR0	R/W	H'FE80 0030	H'1E80 0030	32
SDRAM timing register 1		DBTR1	R/W	H'FE80 0034	H'1E80 0034	32
SDRAM timing register 2		DBTR2	R/W	H'FE80 0038	H'1E80 0038	32
SDRAM refresh control register 0		DBRFCNT0	R/W	H'FE80 0040	H'1E80 0040	32
SDRAM refresh control register 1		DBRFCNT1	R/W	H'FE80 0044	H'1E80 0044	32
SDRAM refresh control register 2		DBRFCNT2	R/W	H'FE80 0048	H'1E80 0048	32
SDRAM refresh status register		DBRFSTS	R/W	H'FE80 004C	H'1E80 004C	32
DDRPAD frequency setting register		DBFREQ	R/W	H'FE80 0050	H'1E80 0050	32
DDRPAD DIC, ODT, OCD setting register		DBDICODTOCD	R/W	H'FE80 0054	H'1E80 0054	32
SDRAM mode setting register	DBMRCNT	W	H'FE80 0060	H'1E80 0060	32	

Module Name	Name	Abbreviation	R/W	P4 Area Address	Area 7 Address	Access Size
PCIC	Control register space (physical address: H'FE04 0000 to H'FE04 00FF)					
	PCIC enable control register	PCIECR	R/W	H'FE00 0008	H'1E00 0008	32
	PCI configuration register space (physical address: H'FE04 0000 to H'FE04 00FF)					
	PCI vendor ID register	PCIVID	R	H'FE04 0000	H'1E04 0000	(32)/16/8
	PCI device ID register	PCIDID	R	H'FE04 0002	H'1E04 0002	(32)/16/8
	PCI command register	PCICMD	R/W	H'FE04 0004	H'1E04 0004	(32)/16/8
	PCI status register	PCISTATUS	R/W	H'FE04 0006	H'1E04 0006	(32)/16/8
	PCI revision ID register	PCIRID	R	H'FE04 0008	H'1E04 0008	(32)/(16)/8
	PCI program interface register	PCIPIF	R/W	H'FE04 0009	H'1E04 0009	(32)/(16)/8
	PCI sub class code register	PCISUB	R/W	H'FE04 000A	H'1E04 000A	(32)/(16)/8
	PCI base class code register	PCIBCC	R/W	H'FE04 000B	H'1E04 000B	(32)/(16)/8
	PCI cache line size register	PCICLS	R	H'FE04 000C	H'1E04 000C	(32)/(16)/8
	PCI latency timer register	PCILTM	R/W	H'FE04 000D	H'1E04 000D	(32)/(16)/8
	PCI header type register	PCIHDR	R	H'FE04 000E	H'1E04 000E	(32)/(16)/8
	PCI BIST register	PCIBIST	R	H'FE04 000F	H'1E04 000F	(32)/(16)/8
	PCI I/O base address register	PCIIBAR	R/W	H'FE04 0010	H'1E04 0010	32/16/8
	PCI Memory base address register 0	PCIMBAR0	R/W	H'FE04 0014	H'1E04 0014	32/16/8
	PCI Memory base address register 1	PCIMBAR1	R/W	H'FE04 0018	H'1E04 0018	32/16/8
	PCI subsystem vendor ID register	PCISVID	R/W	H'FE04 002C	H'1E04 002C	(32)/16/8
	PCI subsystem ID register	PCISID	R/W	H'FE04 002E	H'1E04 002E	(32)/16/8
PCI capabilities pointer register	PCICP	R	H'FE04 0034	H'1E04 0034	(32)/(16)/8	
PCI interrupt line register	PCIINTLINE	R/W	H'FE04 003C	H'1E04 003C	(32)/(16)/8	
PCI interrupt pin register	PCIINTPIN	R/W	H'FE04 003D	H'1E04 003D	(32)/(16)/8	

31. Register List

Module Name	Name	Abbreviation	R/W	P4 Area Address	Area 7 Address	Access Size
PCIC	PCI minimum grant register	PCIMINGNT	R	H'FE04 003E	H'1E04 003E	(32)/(16)/ 8
	PCI maximum latency register	PCIMAXLAT	R	H'FE04 003F	H'1E04 003F	(32)/(16)/ 8
	PCI capability ID register	PCICID	R	H'FE04 0040	H'1E04 0040	(32)/(16)/ 8
	PCI next item pointer register	PCINIP	R	H'FE04 0041	H'1E04 0041	(32)/(16)/ 8
	PCI power management capability register	PCIPMC	R/W	H'FE04 0042	H'1E04 0042	(32)/16/8
	PCI power management control/status register	PCIPMCSR	R/W	H'FE04 0044	H'1E04 0044	(32)/16/8
	PCI PMCSR bridge support extension register	PCIPMCSR_BSE	R/W	H'FE04 0046	H'1E04 0046	(32)/(16)/ 8
	PCI power consumption/dissipation data register	PCIPCDD	R/W	H'FE04 0047	H'1E04 0047	(32)/(16)/ 8
	PCI local register space (physical address: H'FE04 0100 to H'FE04 03FF)					
	PCI control register	PCICR	R/W	H'FE04 0100	H'1E04 0100	32/16/8
	PCI local space register 0	PCILSR0	R/W	H'FE04 0104	H'1E04 0104	32/16/8
	PCI local space register 1	PCILSR1	R/W	H'FE04 0108	H'1E04 0108	32/16/8
	PCI local address register 0	PCILAR0	R/W	H'FE04 010C	H'1E04 010C	32/16/8
	PCI local address register 1	PCILAR1	R/W	H'FE04 0110	H'1E04 0110	32/16/8
	PCI interrupt register	PCIIR	R/WC	H'FE04 0114	H'1E04 0114	32/16/8
	PCI interrupt mask register	PCIIMR	R/W	H'FE04 0118	H'1E04 0118	32/16/8
	PCI error address information register	PCIAIR	R	H'FE04 011C	H'1E04 011C	32/16/8
	PCI error command information register	PCICIR	R	H'FE04 0120	H'1E04 0120	32/16/8
	PCI arbiter interrupt register	PCIAINT	R/WC	H'FE04 0130	H'1E04 0130	32/16/8
	PCI arbiter interrupt mask register	PCIAINTM	R/WC	H'FE04 0134	H'1E04 0134	32/16/8
	PCI arbiter bus master error information register	PCIBMIR	R	H'FE04 0138	H'1E04 0138	32/16/8
	PCI PIO address register ^{*2}	PCIPAR	R/W	H'FE04 01C0	H'1E04 01C0	32/16/8
	PCI power management interrupt register	PCIPINT	R/W	H'FE04 01CC	H'1E04 01CC	32/16/8
	PCI power management interrupt mask register	PCIPINTM	R/W	H'FE04 01D0	H'1E04 01D0	32/16/8

Module Name	Name	Abbreviation	R/W	P4 Area Address	Area 7 Address	Access Size
PCIC	PCI memory bank register 0	PCIMBR0	R/W	H'FE04 01E0	H'1E04 01E0	32/16/8
	PCI memory bank mask register 0	PCIMBMR0	R/W	H'FE04 01E4	H'1E04 01E4	32/16/8
	PCI memory bank register 1	PCIMBR1	R/W	H'FE04 01E8	H'1E04 01E8	32/16/8
	PCI memory bank mask register 1	PCIMBMR1	R/W	H'FE04 01EC	H'1E04 01EC	32/16/8
	PCI memory bank register 2	PCIMBR2	R/W	H'FE04 01F0	H'1E04 01F0	32/16/8
	PCI memory bank mask register 2	PCIMBMR2	R/W	H'FE04 01F4	H'1E04 01F4	32/16/8
	PCI I/O bank register	PCIIOBR	R/W	H'FE04 01F8	H'1E04 01F8	32/16/8
	PCI I/O bank master register	PCIIOBMR	R/W	H'FE04 01FC	H'1E04 01FC	32/16/8
	PCI cache snoop control register 0	PCICSCR0	R/W	H'FE04 0210	H'1E04 0210	32/16/8
	PCI cache snoop control register 1	PCICSCR1	R/W	H'FE04 0214	H'1E04 0214	32/16/8
	PCI cache snoop address register 0	PCICSAR0	R/W	H'FE04 0218	H'1E04 0218	32/16/8
	PCI cache snoop address register 1	PCICSAR1	R/W	H'FE04 021C	H'1E04 021C	32/16/8
	PCI PIO data register	PCIPDR	R/W	H'FE04 0220	H'1E04 0220	32/16/8
DMAC	DMA source address register 0	SAR0	R/W	H'FC80 8020	H'1C80 8020	32
	DMA destination address register 0	DAR0	R/W	H'FC80 8024	H'1C80 8024	32
	DMA transfer count register 0	TCR0	R/W	H'FC80 8028	H'1C80 8028	32
	DMA channel control register 0	CHCR0	R/W* ³	H'FC80 802C	H'1C80 802C	32
	DMA source address register 1	SAR1	R/W	H'FC80 8030	H'1C80 8030	32
	DMA destination address register 1	DAR1	R/W	H'FC80 8034	H'1C80 8034	32
	DMA transfer count register 1	TCR1	R/W	H'FC80 8038	H'1C80 8038	32
	DMA channel control register 1	CHCR1	R/W* ³	H'FC80 803C	H'1C80 803C	32
	DMA source address register 2	SAR2	R/W	H'FC80 8040	H'1C80 8040	32
	DMA destination address register 2	DAR2	R/W	H'FC80 8044	H'1C80 8044	32
	DMA transfer count register 2	TCR2	R/W	H'FC80 8048	H'1C80 8048	32
	DMA channel control register 2	CHCR2	R/W* ³	H'FC80 804C	H'1C80 804C	32
	DMA source address register 3	SAR3	R/W	H'FC80 8050	H'1C80 8050	32
	DMA destination address register 3	DAR3	R/W	H'FC80 8054	H'1C80 8054	32
	DMA transfer count register 3	TCR3	R/W	H'FC80 8058	H'1C80 8058	32
	DMA channel control register 3	CHCR3	R/W* ³	H'FC80 805C	H'1C80 805C	32
	DMA operation register 0	DMAOR0	R/W* ⁴	H'FC80 8060	H'1C80 8060	16
DMA source address register 4	SAR4	R/W	H'FC80 8070	H'1C80 8070	32	

31. Register List

Module Name	Name	Abbreviation	R/W	P4 Area Address	Area 7 Address	Access Size
DMAC	DMA destination address register 4	DAR4	R/W	H'FC80 8074	H'1C80 8074	32
	DMA transfer count register 4	TCR4	R/W	H'FC80 8078	H'1C80 8078	32
	DMA channel control register 4	CHCR4	R/W* ³	H'FC80 807C	H'1C80 807C	32
	DMA source address register 5	SAR5	R/W	H'FC80 8080	H'1C80 8080	32
	DMA destination address register 5	DAR5	R/W	H'FC80 8084	H'1C80 8084	32
	DMA transfer count register 5	TCR5	R/W	H'FC80 8088	H'1C80 8088	32
	DMA channel control register 5	CHCR5	R/W* ³	H'FC80 808C	H'1C80 808C	32
	DMA source address register B0	SARB0	R/W	H'FC80 8120	H'1C80 8120	32
	DMA destination address register B0	DARB0	R/W	H'FC80 8124	H'1C80 8124	32
	DMA transfer count register B0	TCRB0	R/W	H'FC80 8128	H'1C80 8128	32
	DMA source address register B1	SARB1	R/W	H'FC80 8130	H'1C80 8130	32
	DMA destination address register B1	DARB1	R/W	H'FC80 8134	H'1C80 8134	32
	DMA transfer count register B1	TCRB1	R/W	H'FC80 8138	H'1C80 8138	32
	DMA source address register B2	SARB2	R/W	H'FC80 8140	H'1C80 8140	32
	DMA destination address register B2	DARB2	R/W	H'FC80 8144	H'1C80 8144	32
	DMA transfer count register B2	TCRB2	R/W	H'FC80 8148	H'1C80 8148	32
	DMA source address register B3	SARB3	R/W	H'FC80 8150	H'1C80 8150	32
	DMA destination address register B3	DARB3	R/W	H'FC80 8154	H'1C80 8154	32
	DMA transfer count register B3	TCRB3	R/W	H'FC80 8158	H'1C80 8158	32
	DMA extended resource selector 0	DMARS0	R/W	H'FC80 9000	H'1C80 9000	16
	DMA extended resource selector 1	DMARS1	R/W	H'FC80 9004	H'1C80 9004	16
	DMA extended resource selector 2	DMARS2	R/W	H'FC80 9008	H'1C80 9008	16
	DMA source address register 6	SAR6	R/W	H'FCC0 8020	H'1CC0 8020	32
	DMA destination address register 6	DAR6	R/W	H'FCC0 8024	H'1CC0 8024	32
	DMA transfer count register 6	TCR6	R/W	H'FCC0 8028	H'1CC0 8028	32
	DMA channel control register 6	CHCR6	R/W* ³	H'FCC0 802C	H'1CC0 802C	32
	DMA source address register 7	SAR7	R/W	H'FCC0 8030	H'1CC0 8030	32
	DMA destination address register 7	DAR7	R/W	H'FCC0 8034	H'1CC0 8034	32
	DMA transfer count register 7	TCR7	R/W	H'FCC0 8038	H'1CC0 8038	32
	DMA channel control register 7	CHCR7	R/W* ³	H'FCC0 803C	H'1CC0 803C	32
	DMA source address register 8	SAR8	R/W	H'FCC0 8040	H'1CC0 8040	32

Module Name	Name	Abbreviation	R/W	P4 Area Address	Area 7 Address	Access Size
DMAC	DMA destination address register 8	DAR8	R/W	H'FCC0 8044	H'1CC0 8044	32
	DMA transfer count register 8	TCR8	R/W	H'FCC0 8048	H'1CC0 8048	32
	DMA channel control register 8	CHCR8	R/W* ³	H'FCC0 804C	H'1CC0 804C	32
	DMA source address register 9	SAR9	R/W	H'FCC0 8050	H'1CC0 8050	32
	DMA destination address register 9	DAR9	R/W	H'FCC0 8054	H'1CC0 8054	32
	DMA transfer count register 9	TCR9	R/W	H'FCC0 8058	H'1CC0 8058	32
	DMA channel control register 9	CHCR9	R/W* ³	H'FCC0 805C	H'1CC0 805C	32
	DMA operation register 1	DMAOR1	R/W* ⁴	H'FCC0 8060	H'1CC0 8060	16
	DMA source address register 10	SAR10	R/W	H'FCC0 8070	H'1CC0 8070	32
	DMA destination address register 10	DAR10	R/W	H'FCC0 8074	H'1CC0 8074	32
	DMA transfer count register 10	TCR10	R/W	H'FCC0 8078	H'1CC0 8078	32
	DMA channel control register 10	CHCR10	R/W* ³	H'FCC0 807C	H'1CC0 807C	32
	DMA source address register 11	SAR11	R/W	H'FCC0 8080	H'1CC0 8080	32
	DMA destination address register 11	DAR11	R/W	H'FCC0 8084	H'1CC0 8084	32
	DMA transfer count register 11	TCR11	R/W	H'FCC0 8088	H'1CC0 8088	32
	DMA channel control register 11	CHCR11	R/W* ³	H'FCC0 808C	H'1CC0 808C	32
	DMA source address register B6	SARB6	R/W	H'FCC0 8120	H'1CC0 8120	32
	DMA destination address register B6	DARB6	R/W	H'FCC0 8124	H'1CC0 8124	32
	DMA transfer count register B6	TCRB6	R/W	H'FCC0 8128	H'1CC0 8128	32
	DMA source address register B7	SARB7	R/W	H'FCC0 8130	H'1CC0 8130	32
	DMA destination address register B7	DARB7	R/W	H'FCC0 8134	H'1CC0 8134	32
	DMA transfer count register B7	TCRB7	R/W	H'FCC0 8138	H'1CC0 8138	32
	DMA source address register B8	SARB8	R/W	H'FCC0 8140	H'1CC0 8140	32
	DMA destination address register B8	DARB8	R/W	H'FCC0 8144	H'1CC0 8144	32
	DMA transfer count register B8	TCRB8	R/W	H'FCC0 8148	H'1CC0 8148	32
	DMA source address register B9	SARB9	R/W	H'FCC0 8150	H'1CC0 8150	32
	DMA destination address register B9	DARB9	R/W	H'FCC0 8154	H'1CC0 8154	32
	DMA transfer count register B9	TCRB9	R/W	H'FCC0 8158	H'1CC0 8158	32
	DMA extended resource selector 3	DMARS3	R/W	H'FCC0 9000	H'1CC0 9000	16
	DMA extended resource selector 4	DMARS4	R/W	H'FCC0 9004	H'1CC0 9004	16
	DMA extended resource selector 5	DMARS5	R/W	H'FCC0 9008	H'1CC0 9008	16

31. Register List

Module Name	Name	Abbreviation	R/W	P4 Area Address	Area 7 Address	Access Size
CPG/ Power-down	Frequency control register 0	FRQCR0	R/W	H'FFC8 0000	H'1FC8 0000	32
	Frequency control register 1	FRQCR1	R/W	H'FFC8 0004	H'1FC8 0004	32
	Frequency display register 1	FRQMR1	R	H'FFC8 0014	H'1FC8 0014	32
	Sleep control register	SLPCR	R/W	H'FFC8 0020	H'1FC8 0020	32
	PLL control register	PLLCR	R/W	H'FFC8 0024	H'1FC8 0024	32
	Standby control register 0* ¹	MSTPCR0	R/W	H'FFC8 0030	H'1FC8 0030	32
	Standby control register 1* ¹	MSTPCR1	R/W	H'FFC8 0034	H'1FC8 0034	32
	Standby display register* ¹	MSTPMR	R	H'FFC8 0044	H'1FC8 0044	32
WDT	Watchdog timer stop time register	WDTST	R/W	H'FFCC 0000	H'1FCC 0000	32
	Watchdog timer control/status register	WDTCSR	R/W	H'FFCC 0004	H'1FCC 0004	32
	Watchdog timer base stop time register	WDTBST	R/W	H'FFCC 0008	H'1FCC 0008	32
	Watchdog timer counter	WDTCNT	R	H'FFCC 0010	H'1FCC 0010	32
	Watchdog timer base counter	WDTBCNT	R	H'FFCC 0018	H'1FCC 0018	32
TMU	Timer start register 0	TSTR0	R/W	H'FFD8 0004	H'1FD8 0004	8
	Timer constant register 0	TCOR0	R/W	H'FFD8 0008	H'1FD8 0008	32
	Timer counter 0	TCNT0	R/W	H'FFD8 000C	H'1FD8 000C	32
	Timer control register 0	TCR0	R/W	H'FFD8 0010	H'1FD8 0010	16
	Timer constant register 1	TCOR1	R/W	H'FFD8 0014	H'1FD8 0014	32
	Timer counter 1	TCNT1	R/W	H'FFD8 0018	H'1FD8 0018	32
	Timer control register 1	TCR1	R/W	H'FFD8 001C	H'1FD8 001C	16
	Timer constant register 2	TCOR2	R/W	H'FFD8 0020	H'1FD8 0020	32
	Timer counter 2	TCNT2	R/W	H'FFD8 0024	H'1FD8 0024	32
	Timer control register 2	TCR2	R/W	H'FFD8 0028	H'1FD8 0028	16
	Input capture register 2	TCPR2	R	H'FFD8 002C	H'1FD8 002C	32
	Timer start register 1	TSTR1	R/W	H'FFDC 0004	H'1FDC 0004	8
	Timer constant register 3	TCOR3	R/W	H'FFDC 0008	H'1FDC 0008	32
	Timer counter 3	TCNT3	R/W	H'FFDC 000C	H'1FDC 000C	32
	Timer control register 3	TCR3	R/W	H'FFDC 0010	H'1FDC 0010	16
	Timer constant register 4	TCOR4	R/W	H'FFDC 0014	H'1FDC 0014	32
	Timer counter 4	TCNT4	R/W	H'FFDC 0018	H'1FDC 0018	32
	Timer control register 4	TCR4	R/W	H'FFDC 001C	H'1FDC 001C	16

Module Name	Name	Abbreviation	R/W	P4 Area Address	Area 7 Address	Access Size
TMU	Timer constant register 5	TCOR5	R/W	H'FFDC 0020	H'1FDC 0020	32
	Timer counter 5	TCNT5	R/W	H'FFDC 0024	H'1FDC 0024	32
	Timer control register 5	TCR5	R/W	H'FFDC 0028	H'1FDC 0028	16
DU	Display system control register	DSYSR	R/W	H'FFF80000	H'1FF80000	32
	Display mode register	DSMR	R/W	H'FFF80004	H'1FF80004	32
	Display status register	DSSR	R	H'FFF80008	H'1FF80008	32
	Display status register clear register	DSRCR	W	H'FFF8000C	H'1FF8000C	32
	Display interrupt enable register	DIER	R/W	H'FFF80010	H'1FF80010	32
	Color palette control register	CPCR	R/W	H'FFF80014	H'1FF80014	32
	Display plane priority order register	DPPR	R/W	H'FFF80018	H'1FF80018	32
	Display extension function enable register	DEFR	R/W	H'FFF80020	H'1FF80020	32
	Horizontal display start position register	HDSR	R/W	H'FFF80040	H'1FF80040	32
	Horizontal display end position register	HDER	R/W	H'FFF80044	H'1FF80044	32
	Vertical display start position register	VDSR	R/W	H'FFF80048	H'1FF80048	32
	Vertical display end position register	VDER	R/W	H'FFF8004C	H'1FF8004C	32
	Horizontal scan period register	HCR	R/W	H'FFF80050	H'1FF80050	32
	Horizontal synchronous pulse width register	HSWR	R/W	H'FFF80054	H'1FF80054	32
	Vertical scan period register	VCR	R/W	H'FFF80058	H'1FF80058	32
	Vertical synchronous position register	VSPR	R/W	H'FFF8005C	H'1FF8005C	32
	Equivalent pulse width register	EQWR	R/W	H'FFF80060	H'1FF80060	32
	Separation width register	SPWR	R/W	H'FFF80064	H'1FF80064	32
	CLAMP signal start position register	CLAMPSR	R/W	H'FFF80070	H'1FF80070	32
	CLAMP signal width register	CLAMPWR	R/W	H'FFF80074	H'1FF80074	32
	DE signal start position register	DESR	R/W	H'FFF80078	H'1FF80078	32
	DE signal width register	DEWR	R/W	H'FFF8007C	H'1FF8007C	32
	Color palette 1 transparent color register	CP1TR	R/W	H'FFF80080	H'1FF80080	32
	Color palette 2 transparent color register	CP2TR	R/W	H'FFF80084	H'1FF80084	32
	Color palette 3 transparent color register	CP3TR	R/W	H'FFF80088	H'1FF80088	32
	Color palette 4 transparent color register	CP4TR	R/W	H'FFF8008C	H'1FF8008C	32
	Display-off output register	DOOR	R/W	H'FFF80090	H'1FF80090	32
	Color detection register	CDER	R/W	H'FFF80094	H'1FF80094	32

31. Register List

Module Name	Name	Abbreviation	R/W	P4 Area Address	Area 7 Address	Access Size
DU	Base color register	BPOR	R/W	H'FFF80098	H'1FF80098	32
	Raster interrupt offset register	RINTOFSR	R/W	H'FFF8009C	H'1FF8009C	32
	Plane 1 mode register	P1MR	R/W	H'FFF80100	H'1FF80100	32
	Plane 1 memory width register	P1MWR	R/W	H'FFF80104	H'1FF80104	32
	Plane 1 blend ratio register	P1ALPHAR	R/W	H'FFF80108	H'1FF80108	32
	Plane 1 display size X register	P1DSXR	R/W	H'FFF80110	H'1FF80110	32
	Plane 1 display size Y register	P1DSYR	R/W	H'FFF80114	H'1FF80114	32
	Plane 1 display position X register	P1DPXR	R/W	H'FFF80118	H'1FF80118	32
	Plane 1 display position Y register	P1DPYR	R/W	H'FFF8011C	H'1FF8011C	32
	Plane 1 display area start address 0 register	P1DSA0R	R/W	H'FFF80120	H'1FF80120	32
	Plane 1 display area start address 1 register	P1DSA1R	R/W	H'FFF80124	H'1FF80124	32
	Plane 1 start position X register	P1SPXR	R/W	H'FFF80130	H'1FF80130	32
	Plane 1 start position Y register	P1SPYR	R/W	H'FFF80134	H'1FF80134	32
	Plane 1 wrap-around start position register	P1WASPR	R/W	H'FFF80138	H'1FF80138	32
	Plane 1 wrap-around memory width register	P1WAMWR	R/W	H'FFF8013C	H'1FF8013C	32
	Plane 1 blinking period register	P1BTR	R/W	H'FFF80140	H'1FF80140	32
	Plane 1 transparent color 1 register	P1TC1R	R/W	H'FFF80144	H'1FF80144	32
	Plane 1 transparent color 2 register	P1TC2R	R/W	H'FFF80148	H'1FF80148	32
	Plane 1 memory length register	P1MLR	R/W	H'FFF80150	H'1FF80150	32
	Plane 2 mode register	P2MR	R/W	H'FFF80200	H'1FF80200	32
	Plane 2 memory width register	P2MWR	R/W	H'FFF80204	H'1FF80204	32
	Plane 2 blend ratio register	P2ALPHAR	R/W	H'FFF80208	H'1FF80208	32
	Plane 2 display size X register	P2DSXR	R/W	H'FFF80210	H'1FF80210	32
	Plane 2 display size Y register	P2DSYR	R/W	H'FFF80214	H'1FF80214	32
	Plane 2 display position X register	P2DPXR	R/W	H'FFF80218	H'1FF80218	32
	Plane 2 display position Y register	P2DPYR	R/W	H'FFF8021C	H'1FF8021C	32
	Plane 2 display area start address 0 register	P2DSA0R	R/W	H'FFF80220	H'1FF80220	32
	Plane 2 display area start address 1 register	P2DSA1R	R/W	H'FFF80224	H'1FF80224	32
	Plane 2 start position X register	P2SPXR	R/W	H'FFF80230	H'1FF80230	32
	Plane 2 start position Y register	P2SPYR	R/W	H'FFF80234	H'1FF80234	32
	Plane 2 wrap-around start position register	P2WASPR	R/W	H'FFF80238	H'1FF80238	32

Module Name	Name	Abbreviation	R/W	P4 Area Address	Area 7 Address	Access Size
DU	Plane 2 wrap-around memory width register	P2WAMWR	R/W	H'FFF8023C	H'1FF8023C	32
	Plane 2 blinking period register	P2BTR	R/W	H'FFF80240	H'1FF80240	32
	Plane 2 transparent color 1 register	P2TC1R	R/W	H'FFF80244	H'1FF80244	32
	Plane 2 transparent color 2 register	P2TC2R	R/W	H'FFF80248	H'1FF80248	32
	Plane 2 memory length register	P2MLR	R/W	H'FFF80250	H'1FF80250	32
	Plane 3 mode register	P3MR	R/W	H'FFF80300	H'1FF80300	32
	Plane 3 memory width register	P3MWR	R/W	H'FFF80304	H'1FF80304	32
	Plane 3 blend ratio register	P3ALPHAR	R/W	H'FFF80308	H'1FF80308	32
	Plane 3 display size X register	P3DSXR	R/W	H'FFF80310	H'1FF80310	32
	Plane 3 display size Y register	P3DSYR	R/W	H'FFF80314	H'1FF80314	32
	Plane 3 display position X register	P3DPXR	R/W	H'FFF80318	H'1FF80318	32
	Plane 3 display position Y register	P3DPYR	R/W	H'FFF8031C	H'1FF8031C	32
	Plane 3 display area start address 0 register	P3DSA0R	R/W	H'FFF80320	H'1FF80320	32
	Plane 3 display area start address 1 register	P3DSA1R	R/W	H'FFF80324	H'1FF80324	32
	Plane 3 start position X register	P3SPXR	R/W	H'FFF80330	H'1FF80330	32
	Plane 3 start position Y register	P3SPYR	R/W	H'FFF80334	H'1FF80334	32
	Plane 3 wrap-around start position register	P3WASPR	R/W	H'FFF80338	H'1FF80338	32
	Plane 3 wrap-around memory width register	P3WAMWR	R/W	H'FFF8033C	H'1FF8033C	32
	Plane 3 blinking period register	P3BTR	R/W	H'FFF80340	H'1FF80340	32
	Plane 3 transparent color 1 register	P3TC1R	R/W	H'FFF80344	H'1FF80344	32
	Plane 3 transparent color 2 register	P3TC2R	R/W	H'FFF80348	H'1FF80348	32
	Plane 3 memory length register	P3MLR	R/W	H'FFF80350	H'1FF80350	32
	Plane 4 mode register	P4MR	R/W	H'FFF80400	H'1FF80400	32
	Plane 4 memory width register	P4MWR	R/W	H'FFF80404	H'1FF80404	32
	Plane 4 blend ratio register	P4ALPHAR	R/W	H'FFF80408	H'1FF80408	32
	Plane 4 display size X register	P4DSXR	R/W	H'FFF80410	H'1FF80410	32
	Plane 4 display size Y register	P4DSYR	R/W	H'FFF80414	H'1FF80414	32
	Plane 4 display position X register	P4DPXR	R/W	H'FFF80418	H'1FF80418	32
	Plane 4 display position Y register	P4DPYR	R/W	H'FFF8041C	H'1FF8041C	32
	Plane 4 display area start address 0 register	P4DSA0R	R/W	H'FFF80420	H'1FF80420	32
	Plane 4 display area start address 1 register	P4DSA1R	R/W	H'FFF80424	H'1FF80424	32

31. Register List

Module Name	Name	Abbreviation	R/W	P4 Area Address	Area 7 Address	Access Size
DU	Plane 4 start position X register	P4SPXR	R/W	H'FFF80430	H'1FF80430	32
	Plane 4 start position Y register	P4SPYR	R/W	H'FFF80434	H'1FF80434	32
	Plane 4 wrap-around start position register	P4WASPR	R/W	H'FFF80438	H'1FF80438	32
	Plane 4 wrap-around memory width register	P4WAMWR	R/W	H'FFF8043C	H'1FF8043C	32
	Plane 4 blinking period register	P4BTR	R/W	H'FFF80440	H'1FF80440	32
	Plane 4 transparent color 1 register	P4TC1R	R/W	H'FFF80444	H'1FF80444	32
	Plane 4 transparent color 2 register	P4TC2R	R/W	H'FFF80448	H'1FF80448	32
	Plane 4 memory length register	P4MLR	R/W	H'FFF80450	H'1FF80450	32
	Plane 5 mode register	P5MR	R/W	H'FFF80500	H'1FF80500	32
	Plane 5 memory width register	P5MWR	R/W	H'FFF80504	H'1FF80504	32
	Plane 5 blend ratio register	P5ALPHAR	R/W	H'FFF80508	H'1FF80508	32
	Plane 5 display size X register	P5DSXR	R/W	H'FFF80510	H'1FF80510	32
	Plane 5 display size Y register	P5DSYR	R/W	H'FFF80514	H'1FF80514	32
	Plane 5 display position X register	P5DPXR	R/W	H'FFF80518	H'1FF80518	32
	Plane 5 display position Y register	P5DPYR	R/W	H'FFF8051C	H'1FF8051C	32
	Plane 5 display area start address 0 register	P5DSA0R	R/W	H'FFF80520	H'1FF80520	32
	Plane 5 display area start address 1 register	P5DSA1R	R/W	H'FFF80524	H'1FF80524	32
	Plane 5 start position X register	P5SPXR	R/W	H'FFF80530	H'1FF80530	32
	Plane 5 start position Y register	P5SPYR	R/W	H'FFF80534	H'1FF80534	32
	Plane 5 wrap-around start position register	P5WASPR	R/W	H'FFF80538	H'1FF80538	32
	Plane 5 wrap-around memory width register	P5WAMWR	R/W	H'FFF8053C	H'1FF8053C	32
	Plane 5 blinking period register	P5BTR	R/W	H'FFF80540	H'1FF80540	32
	Plane 5 transparent color 1 register	P5TC1R	R/W	H'FFF80544	H'1FF80544	32
	Plane 5 transparent color 2 register	P5TC2R	R/W	H'FFF80548	H'1FF80548	32
	Plane 5 memory length register	P5MLR	R/W	H'FFF80550	H'1FF80550	32
	Plane 6 mode register	P6MR	R/W	H'FFF80600	H'1FF80600	32
	Plane 6 memory width register	P6MWR	R/W	H'FFF80604	H'1FF80604	32
	Plane 6 blend ratio register	P6ALPHAR	R/W	H'FFF80608	H'1FF80608	32
	Plane 6 display size X register	P6DSXR	R/W	H'FFF80610	H'1FF80610	32
	Plane 6 display size Y register	P6DSYR	R/W	H'FFF80614	H'1FF80614	32
	Plane 6 display position X register	P6DPXR	R/W	H'FFF80618	H'1FF80618	32

Module Name	Name	Abbreviation	R/W	P4 Area Address	Area 7 Address	Access Size
DU	Plane 6 display position Y register	P6DPYR	R/W	H'FFF8061C	H'1FF8061C	32
	Plane 6 display area start address 0 register	P6DSA0R	R/W	H'FFF80620	H'1FF80620	32
	Plane 6 display area start address 1 register	P6DSA1R	R/W	H'FFF80624	H'1FF80624	32
	Plane 6 start position X register	P6SPXR	R/W	H'FFF80630	H'1FF80630	32
	Plane 6 start position Y register	P6SPYR	R/W	H'FFF80634	H'1FF80634	32
	Plane 6 wrap-around start position register	P6WASPR	R/W	H'FFF80638	H'1FF80638	32
	Plane 6 wrap-around memory width register	P6WAMWR	R/W	H'FFF8063C	H'1FF8063C	32
	Plane 6 blinking period register	P6BTR	R/W	H'FFF80640	H'1FF80640	32
	Plane 6 transparent color 1 register	P6TC1R	R/W	H'FFF80644	H'1FF80644	32
	Plane 6 transparent color 2 register	P6TC2R	R/W	H'FFF80648	H'1FF80648	32
	Plane 6 memory length register	P6MLR	R/W	H'FFF80650	H'1FF80650	32
	Color palette 1 register 000	CP1_000R	R/W	H'FFF81000	H'1FF81000	32
	:	:	:	:	:	:
	Color palette 1 register 255	CP1_255R	R/W	H'FFF813FC	H'1FF813FC	32
	Color palette 2 register 000	CP2_000R	R/W	H'FFF82000	H'1FF82000	32
	:	:	:	:	:	:
	Color palette 2 register 255	CP2_255R	R/W	H'FFF823FC	H'1FF823FC	32
	Color palette 3 register 000	CP3_000R	R/W	H'FFF83000	H'1FF83000	32
	:	:	:	:	:	:
	Color palette 3 register 255	CP3_255R	R/W	H'FFF833FC	H'1FF833FC	32
	Color palette 4 register 000	CP4_000R	R/W	H'FFF84000	H'1FF84000	32
	:	:	:	:	:	:
	Color palette 4 register 255	CP4_255R	R/W	H'FFF843FC	H'1FF843FC	32
	External synchronization control register	ESCR	R/W	H'FFF90000	H'1FF90000	32
Output signal timing adjustment register	OTAR	R/W	H'FFF90004	H'1FF90004	32	
GDTA	GA mask register	GACMR	R/W	H'FE40 000C	H'1E40 000C	32
	GA enable register	GACER	R/W	H'FE40 0010	H'1E40 0010	32
	GA processing end interrupt source indicating register	GACISR	R	H'FE40 0014	H'1E40 0014	32
	GA processing end interrupt source indication clear register	GACICR	W	H'FE40 0018	H'1E40 0018	32

31. Register List

Module Name	Name	Abbreviation	R/W	P4 Area Address	Area 7 Address	Access Size
GCTA	GA interrupt enable register	GACIER	R/W	H'FE40 001C	H'1E40 001C	32
	GA CL input data alignment register	DRCL_CTL	R/W	H'FE40 3000	H'1E40 3000	32
	GA CL output data alignment register	DWCL_CTL	R/W	H'FE40 3100	H'1E40 3100	32
	GA MC input data alignment register	DRMC_CTL	R/W	H'FE40 3200	H'1E40 3200	32
	GA MC output data alignment register	DWMC_CTL	R/W	H'FE40 3300	H'1E40 3300	32
	GA buffer RAM 0 data alignment register	DCP_CTL	R/W	H'FE40 3400	H'1E40 3400	32
	GA buffer RAM 1 data alignment register	DID_CTL	R/W	H'FE40 3500	H'1E40 3500	32
	CL command FIFO	CLCF	W	H'FE40 1000	H'1E40 1000	32
	CL control register	CLCR	R/W	H'FE40 1004	H'1E40 1004	32
	CL status register	CLSR	R	H'FE40 1008	H'1E40 1008	32
	CL frame width setting register	CLWR	R/W	H'FE40 100C	H'1E40 100C	32
	CL frame height setting register	CLHR	R/W	H'FE40 1010	H'1E40 1010	32
	CL input Y padding size setting register	CLYPR	R/W	H'FE40 1014	H'1E40 1014	32
	CL input UV padding size setting register	CLUVPR	R/W	H'FE40 1018	H'1E40 1018	32
	CL output padding size setting register	CLOPR	R/W	H'FE40 101C	H'1E40 101C	32
	CL palette pointer setting register	CLPLPR	R/W	H'FE40 1020	H'1E40 1020	32
	MC command FIFO	MCCF	W	H'FE40 2000	H'1E40 2000	32
	MC status register	MCSR	R	H'FE40 2004	H'1E40 2004	32
	MC frame width setting register	MCWR	R/W	H'FE40 2008	H'1E40 2008	32
	MC frame height setting register	MCHR	R/W	H'FE40 200C	H'1E40 200C	32
	MC Y padding size setting register	MCYPR	R/W	H'FE40 2010	H'1E40 2010	32
	MC UV padding size setting register	MCUVPR	R/W	H'FE40 2014	H'1E40 2014	32
	MC output frame Y pointer register	MCOYPR	R/W	H'FE40 2018	H'1E40 2018	32
	MC output frame U pointer register	MCOUPR	R/W	H'FE40 201C	H'1E40 201C	32
	MC output frame V pointer register	MCOVPR	R/W	H'FE40 2020	H'1E40 2020	32
	MC past frame Y pointer register	MCPYPR	R/W	H'FE40 2024	H'1E40 2024	32
	MC past frame U pointer register	MCPUPR	R/W	H'FE40 2028	H'1E40 2028	32
	MC past frame V pointer register	MCPVPR	R/W	H'FE40 202C	H'1E40 202C	32
	MC future frame Y pointer register	MCFYPR	R/W	H'FE40 2030	H'1E40 2030	32
	MC future frame U pointer register	MCFUPR	R/W	H'FE40 2034	H'1E40 2034	32
	MC future frame V pointer register	MCFVPR	R/W	H'FE40 2038	H'1E40 2038	32

Module Name	Name	Abbreviation	R/W	P4 Area Address	Area 7 Address	Access Size
SCIF	Serial mode register 0	SCSMR0	R/W	H'FFEA 0000	H'1FEA 0000	16
	Bit rate register 0	SCBRR0	R/W	H'FFEA 0004	H'1FEA 0004	8
	Serial control register 0	SCSCR0	R/W	H'FFEA 0008	H'1FEA 0008	16
	Transmit FIFO data register 0	SCFTDR0	W	H'FFEA 000C	H'1FEA 000C	8
	Serial status register 0	SCFSR0	R/W* ⁵	H'FFEA 0010	H'1FEA 0010	16
	Receive FIFO data register 0	SCFRDR0	R	H'FFEA 0014	H'1FEA 0014	8
	FIFO control register 0	SCFCR0	R/W	H'FFEA 0018	H'1FEA 0018	16
	Transmit FIFO data count register 0	SCTFDR0	R	H'FFEA 001C	H'1FEA 001C	16
	Receive FIFO data count register 0	SCRFDR0	R	H'FFEA 0020	H'1FEA 0020	16
	Serial port register 0	SCSPTR0	R/W	H'FFEA 0024	H'1FEA 0024	16
	Line status register 0	SCLSR0	R/W* ⁶	H'FFEA 0028	H'1FEA 0028	16
	Serial error register 0	SCRER0	R	H'FFEA 002C	H'1FEA 002C	16
	Serial mode register 1	SCSMR1	R/W	H'FFEB 0000	H'1FEB 0000	16
	Bit rate register 1	SCBRR1	R/W	H'FFEB 0004	H'1FEB 0004	8
	Serial control register 1	SCSCR1	R/W	H'FFEB 0008	H'1FEB 0008	16
	Transmit FIFO data register 1	SCFTDR1	W	H'FFEB 000C	H'1FEB 000C	8
	Serial status register 1	SCFSR1	R/W* ⁵	H'FFEB 0010	H'1FEB 0010	16
	Receive FIFO data register 1	SCFRDR1	R	H'FFEB 0014	H'1FEB 0014	8
	FIFO control register 1	SCFCR1	R/W	H'FFEB 0018	H'1FEB 0018	16
	Transmit FIFO data count register 1	SCTFDR1	R	H'FFEB 001C	H'1FEB 001C	16
	Receive FIFO data count register 1	SCRFDR1	R	H'FFEB 0020	H'1FEB 0020	16
	Serial port register 1	SCSPTR1	R/W	H'FFEB 0024	H'1FEB 0024	16
	Line status register 1	SCLSR1	R/W* ⁶	H'FFEB 0028	H'1FEB 0028	16
	Serial error register 1	SCRER1	R	H'FFEB 002C	H'1FEB 002C	16
	Serial mode register 2	SCSMR2	R/W	H'FFEC 0000	H'1FEC 0000	16
	Bit rate register 2	SCBRR2	R/W	H'FFEC 0004	H'1FEC 0004	8
	Serial control register 2	SCSCR2	R/W	H'FFEC 0008	H'1FEC 0008	16
	Transmit FIFO data register 2	SCFTDR2	W	H'FFEC 000C	H'1FEC 000C	8
	Serial status register 2	SCFSR2	R/W* ⁵	H'FFEC 0010	H'1FEC 0010	16
	Receive FIFO data register 2	SCFRDR2	R	H'FFEC 0014	H'1FEC 0014	8

31. Register List

Module Name	Name	Abbreviation	R/W	P4 Area Address	Area 7 Address	Access Size
SCIF	FIFO control register 2	SCFCR2	R/W	H'FFEC 0018	H'1FEC 0018	16
	Transmit FIFO data count register 2	SCTFDR2	R	H'FFEC 001C	H'1FEC 001C	16
	Receive FIFO data count register 2	SCRFR2	R	H'FFEC 0020	H'1FEC 0020	16
	Serial port register 2	SCSPTR2	R/W	H'FFEC 0024	H'1FEC 0024	16
	Line status register 2	SCLSR2	R/W* ⁶	H'FFEC 0028	H'1FEC 0028	16
	Serial error register 2	SCRER2	R	H'FFEC 002C	H'1FEC 002C	16
	Serial mode register 3	SCSMR3	R/W	H'FFED 0000	H'1FED 0000	16
	Bit rate register 3	SCBRR3	R/W	H'FFED 0004	H'1FED 0004	8
	Serial control register 3	SCSCR3	R/W	H'FFED 0008	H'1FED 0008	16
	Transmit FIFO data register 3	SCFTDR3	W	H'FFED 000C	H'1FED 000C	8
	Serial status register 3	SCFSR3	R/W* ⁵	H'FFED 0010	H'1FED 0010	16
	Receive FIFO data register 3	SCFRDR3	R	H'FFED 0014	H'1FED 0014	8
	FIFO control register 3	SCFCR3	R/W	H'FFED 0018	H'1FED 0018	16
	Transmit FIFO data count register 3	SCTFDR3	R	H'FFED 001C	H'1FED 001C	16
	Receive FIFO data count register 3	SCRFR3	R	H'FFED 0020	H'1FED 0020	16
	Serial port register 3	SCSPTR3	R/W	H'FFED 0024	H'1FED 0024	16
	Line status register 3	SCLSR3	R/W* ⁶	H'FFED 0028	H'1FED 0028	16
	Serial error register 3	SCRER3	R	H'FFED 002C	H'1FED 002C	16
	Serial mode register 4	SCSMR4	R/W	H'FFEE 0000	H'1FEE 0000	16
	Bit rate register 4	SCBRR4	R/W	H'FFEE 0004	H'1FEE 0004	8
	Serial control register 4	SCSCR4	R/W	H'FFEE 0008	H'1FEE 0008	16
	Transmit FIFO data register 4	SCFTDR4	W	H'FFEE 000C	H'1FEE 000C	8
	Serial status register 4	SCFSR4	R/W* ⁵	H'FFEE 0010	H'1FEE 0010	16
	Receive FIFO data register 4	SCFRDR4	R	H'FFEE 0014	H'1FEE 0014	8
	FIFO control register 4	SCFCR4	R/W	H'FFEE 0018	H'1FEE 0018	16
	Transmit FIFO data count register 4	SCTFDR4	R	H'FFEE 001C	H'1FEE 001C	16
	Receive FIFO data count register 4	SCRFR4	R	H'FFEE 0020	H'1FEE 0020	16
	Serial port register 4	SCSPTR4	R/W	H'FFEE 0024	H'1FEE 0024	16
	Line status register 4	SCLSR4	R/W* ⁶	H'FFEE 0028	H'1FEE 0028	16
	Serial error register 4	SCRER4	R	H'FFEE 002C	H'1FEE 002C	16
	Serial mode register 5	SCSMR5	R/W	H'FFEF 0000	H'1FEF 0000	16

Module Name	Name	Abbreviation	R/W	P4 Area Address	Area 7 Address	Access Size
SCIF	Bit rate register 5	SCBRR5	R/W	H'FFEF 0004	H'1FEF 0004	8
	Serial control register 5	SCSCR5	R/W	H'FFEF 0008	H'1FEF 0008	16
	Transmit FIFO data register 5	SCFTDR5	W	H'FFEF 000C	H'1FEF 000C	8
	Serial status register 5	SCFSR5	R/W* ⁵	H'FFEF 0010	H'1FEF 0010	16
	Receive FIFO data register 5	SCFRDR5	R	H'FFEF 0014	H'1FEF 0014	8
	FIFO control register 5	SCFCR5	R/W	H'FFEF 0018	H'1FEF 0018	16
	Transmit FIFO data count register 5	SCTFDR5	R	H'FFEF 001C	H'1FEF 001C	16
	Receive FIFO data count register 5	SCRFRDR5	R	H'FFEF 0020	H'1FEF 0020	16
	Serial port register 5	SCSPTR5	R/W	H'FFEF 0024	H'1FEF 0024	16
	Line status register 5	SCLSR5	R/W* ⁶	H'FFEF 0028	H'1FEF 0028	16
	Serial error register 5	SCRER5	R	H'FFEF 002C	H'1FEF 002C	16
SIOF	Mode register	SIMDR	R/W	H'FFE2 0000	H'1FE2 0000	16
	Clock select register	SISCR	R/W	H'FFE2 0002	H'1FE2 0002	16
	Transmit data assign register	SITDAR	R/W	H'FFE2 0004	H'1FE2 0004	16
	Receive data assign register	SIRDAR	R/W	H'FFE2 0006	H'1FE2 0006	16
	Control data assign register	SICDAR	R/W	H'FFE2 0008	H'1FE2 0008	16
	Control register	SICTR	R/W	H'FFE2 000C	H'1FE2 000C	16
	FIFO control register	SIFCTR	R/W	H'FFE2 0010	H'1FE2 0010	16
	Status register	SISTR	R/W	H'FFE2 0014	H'1FE2 0014	16
	Interrupt enable register	SIIER	R/W	H'FFE2 0016	H'1FE2 0016	16
	Transmit data register	SITDR	W	H'FFE2 0020	H'1FE2 0020	32
	Receive data register	SIRDR	R	H'FFE2 0024	H'1FE2 0024	32
	Transmit control data register	SITCR	R/W	H'FFE2 0028	H'1FE2 0028	32
	Receive control data register	SIRCR	R/W	H'FFE2 002C	H'1FE2 002C	32
HSPI	Control register	SPCR	R/W	H'FFE5 0000	H'1FE5 0000	32
	Status register	SPSR	R	H'FFE5 0004	H'1FE5 0004	32
	System control register	SPSCR	R/W	H'FFE5 0008	H'1FE5 0008	32
	Transmit buffer register	SPTBR	R/W	H'FFE5 000C	H'1FE5 000C	32
	Receive buffer register	SPRBR	R	H'FFE5 0010	H'1FE5 0010	32

31. Register List

Module Name	Name	Abbreviation	R/W	P4 Area Address	Area 7 Address	Access Size
MMCIF	Command register 0	CMDR0	R/W	H'FFE6 0000	H'1FE6 0000	8
	Command register 1	CMDR1	R/W	H'FFE6 0001	H'1FE6 0001	8
	Command register 2	CMDR2	R/W	H'FFE6 0002	H'1FE6 0002	8
	Command register 3	CMDR3	R/W	H'FFE6 0003	H'1FE6 0003	8
	Command register 4	CMDR4	R/W	H'FFE6 0004	H'1FE6 0004	8
	Command register 5	CMDR5	R	H'FFE6 0005	H'1FE6 0005	8
	Command start register	CMDSTRT	R/W	H'FFE6 0006	H'1FE6 0006	8
	Operation control register	OPCR	R/W	H'FFE6 000A	H'1FE6 000A	8
	Card status register	CSTR	R	H'FFE6 000B	H'1FE6 000B	8
	Interrupt control register 0	INTCR0	R/W	H'FFE6 000C	H'1FE6 000C	8
	Interrupt control register 1	INTCR1	R/W	H'FFE6 000D	H'1FE6 000D	8
	Interrupt status register 0	INTSTR0	R/W	H'FFE6 000E	H'1FE6 000E	8
	Interrupt status register 1	INTSTR1	R/W	H'FFE6 000F	H'1FE6 000F	8
	Transfer clock control register	CLKON	R/W	H'FFE6 0010	H'1FE6 0010	8
	Command timeout control register	CTOCR	R/W	H'FFE6 0011	H'1FE6 0011	8
	Transfer byte number count register	TBCR	R/W	H'FFE6 0014	H'1FE6 0014	8
	Mode register	MODER	R/W	H'FFE6 0016	H'1FE6 0016	8
	Command type register	CMDTYR	R/W	H'FFE6 0018	H'1FE6 0018	8
	Response type register	RSPTYR	R/W	H'FFE6 0019	H'1FE6 0019	8
	Transfer block number counter	TBNCR	R/W	H'FFE6 001A	H'1FE6 001A	16
	Response register 0	RSPR0	R/W	H'FFE6 0020	H'1FE6 0020	8
	Response register 1	RSPR1	R/W	H'FFE6 0021	H'1FE6 0021	8
	Response register 2	RSPR2	R/W	H'FFE6 0022	H'1FE6 0022	8
	Response register 3	RSPR3	R/W	H'FFE6 0023	H'1FE6 0023	8
	Response register 4	RSPR4	R/W	H'FFE6 0024	H'1FE6 0024	8
	Response register 5	RSPR5	R/W	H'FFE6 0025	H'1FE6 0025	8
	Response register 6	RSPR6	R/W	H'FFE6 0026	H'1FE6 0026	8
	Response register 7	RSPR7	R/W	H'FFE6 0027	H'1FE6 0027	8
	Response register 8	RSPR8	R/W	H'FFE6 0028	H'1FE6 0028	8
	Response register 9	RSPR9	R/W	H'FFE6 0029	H'1FE6 0029	8
	Response register 10	RSPR10	R/W	H'FFE6 002A	H'1FE6 002A	8

Module Name	Name	Abbreviation	R/W	P4 Area Address	Area 7 Address	Access Size
MMCIF	Response register 11	RSPR11	R/W	H'FFE6 002B	H'1FE6 002B	8
	Response register 12	RSPR12	R/W	H'FFE6 002C	H'1FE6 002C	8
	Response register 13	RSPR13	R/W	H'FFE6 002D	H'1FE6 002D	8
	Response register 14	RSPR14	R/W	H'FFE6 002E	H'1FE6 002E	8
	Response register 15	RSPR15	R/W	H'FFE6 002F	H'1FE6 002F	8
	Response register 16	RSPR16	R/W	H'FFE6 0030	H'1FE6 0030	8
	CRC status register	RSPRD	R/W	H'FFE6 0031	H'1FE6 0031	8
	Data timeout register	DTOUTR	R/W	H'FFE6 0032	H'1FE6 0032	16
	Data register	DR	R/W	H'FFE6 0040	H'1FE6 0040	16
	FIFO pointer clear register	FIFOCLR	W	H'FFE6 0042	H'1FE6 0042	8
	DMA control register	DMACR	R/W	H'FFE6 0044	H'1FE6 0044	8
	Interrupt control register 2	INTCR2	R/W	H'FFE6 0046	H'1FE6 0046	8
	Interrupt status register 2	INTSTR2	R/W	H'FFE6 0048	H'1FE6 0048	8
HAC	Control and status register 0	HACCR0	R/W	H'FFE3 0008	H'1FE3 0008	32
	Command/status address register 0	HACCSAR0	R/W	H'FFE3 0020	H'1FE3 0020	32
	Command/status data register 0	HACCSDR0	R/W	H'FFE3 0024	H'1FE3 0024	32
	PCM left channel register 0	HACPCML0	R/W	H'FFE3 0028	H'1FE3 0028	32
	PCM right channel register 0	HACPCMR0	R/W	H'FFE3 002C	H'1FE3 002C	32
	TX interrupt enable register 0	HACTIER0	R/W	H'FFE3 0050	H'1FE3 0050	32
	TX status register 0	HACTSR0	R/W	H'FFE3 0054	H'1FE3 0054	32
	RX interrupt enable register 0	HACRIER0	R/W	H'FFE3 0058	H'1FE3 0058	32
	RX status register 0	HACRSR0	R/W	H'FFE3 005C	H'1FE3 005C	32
	HAC control register 0	HACACR0	R/W	H'FFE3 0060	H'1FE3 0060	32
	Control and status register 1	HACCR1	R/W	H'FFE4 0008	H'1FE4 0008	32
	Command/status address register 1	HACCSAR1	R/W	H'FFE4 0020	H'1FE4 0020	32
	Command/status data register 1	HACCSDR1	R/W	H'FFE4 0024	H'1FE4 0024	32
	PCM left channel register 1	HACPCML1	R/W	H'FFE4 0028	H'1FE4 0028	32
	PCM right channel register 1	HACPCMR1	R/W	H'FFE4 002C	H'1FE4 002C	32
	TX interrupt enable register 1	HACTIER1	R/W	H'FFE4 0050	H'1FE4 0050	32
	TX status register 1	HACTSR1	R/W	H'FFE4 0054	H'1FE4 0054	32

31. Register List

Module Name	Name	Abbreviation	R/W	P4 Area Address	Area 7 Address	Access Size
HAC	RX interrupt enable register 1	HACRIER1	R/W	H'FFE4 0058	H'1FE4 0058	32
	RX status register 1	HACRSR1	R/W	H'FFE4 005C	H'1FE4 005C	32
	HAC control register 1	HACACR1	R/W	H'FFE4 0060	H'1FE4 0060	32
SSI	Control register 0	SSICR0	R/W	H'FFE0 0000	H'1FE0 0000	32
	Status register 0	SSISR0	R/W*1	H'FFE0 0004	H'1FE0 0004	32
	Transmit data register 0	SSITDR0	R/W	H'FFE0 0008	H'1FE0 0008	32
	Receive data register 0	SSIRDR0	R	H'FFE0 000C	H'1FE0 000C	32
	Control register 1	SSICR1	R/W	H'FFE1 0000	H'1FE1 0000	32
	Status register 1	SSISR1	R/W*1	H'FFE1 0004	H'1FE1 0004	32
	Transmit data register 1	SSITDR1	R/W	H'FFE1 0008	H'1FE1 0008	32
	Receive data register 1	SSIRDR1	R	H'FFE1 000C	H'1FE1 000C	32
FLCTL	Common control register	FLCMNCR	R/W	H'FFE9 0000	H'1FE9 0000	32
	Command control register	FLCMDCR	R/W	H'FFE9 0004	H'1FE9 0004	32
	Command code register	FLCMCDR	R/W	H'FFE9 0008	H'1FE9 0008	32
	Address register	FLADR	R/W	H'FFE9 000C	H'1FE9 000C	32
	Data register	FLDATAR	R/W	H'FFE9 0010	H'1FE9 0010	32
	Data counter register	FLDTCNTR	R/W	H'FFE9 0014	H'1FE9 0014	32
	Interrupt DMA control register	FLINTDMACR	R/W	H'FFE9 0018	H'1FE9 0018	32
	Ready busy timeout setting register	FLBSYTMR	R/W	H'FFE9 001C	H'1FE9 001C	32
	Ready busy timeout counter	FLBSYCNT	R	H'FFE9 0020	H'1FE9 0020	32
	Data FIFO register	FLDTFIFO	R/W	H'FFE9 0024	H'1FE9 0024	32
	Control code FIFO register	FLECFIFO	R/W	H'FFE9 0028	H'1FE9 0028	32
	Transfer control register	FLTRCR	R/W	H'FFE9 002C	H'1FE9 002C	8
	Address register 2	FLADR2	R/W	H'FFE9 003C	H'1FE9 003C	32
GPIO	Port A control register	PACR	R/W	H'FFE7 0000	H'1FE7 0000	16
	Port B control register	PBCR	R/W	H'FFE7 0002	H'1FE7 0002	16
	Port C control register	PCCR	R/W	H'FFE7 0004	H'1FE7 0004	16
	Port D control register	PDCR	R/W	H'FFE7 0006	H'1FE7 0006	16
	Port E control register	PECR	R/W	H'FFE7 0008	H'1FE7 0008	16
	Port F control register	PFCR	R/W	H'FFE7 000A	H'1FE7 000A	16
	Port G control register	PGCR	R/W	H'FFE7 000C	H'1FE7 000C	16

Module Name	Name	Abbreviation	R/W	P4 Area Address	Area 7 Address	Access Size
GPIO	Port H control register	PHCR	R/W	H'FFE7 000E	H'1FE7 000E	16
	Port J control register	PJCR	R/W	H'FFE7 0010	H'1FE7 0010	16
	Port K control register	PKCR	R/W	H'FFE7 0012	H'1FE7 0012	16
	Port L control register	PLCR	R/W	H'FFE7 0014	H'1FE7 0014	16
	Port M control register	PMCR	R/W	H'FFE7 0016	H'1FE7 0016	16
	Port N control register	PNCR	R/W	H'FFE7 0018	H'1FE7 0018	16
	Port P control register	PPCR	R/W	H'FFE7 001A	H'1FE7 001A	16
	Port Q control register	PQCR	R/W	H'FFE7 001C	H'1FE7 001C	16
	Port R control register	PRCR	R/W	H'FFE7 001E	H'1FE7 001E	16
	Port A data register	PADR	R/W	H'FFE7 0020	H'1FE7 0020	8
	Port B data register	PBDR	R/W	H'FFE7 0022	H'1FE7 0022	8
	Port C data register	PCDR	R/W	H'FFE7 0024	H'1FE7 0024	8
	Port D data register	PDDR	R/W	H'FFE7 0026	H'1FE7 0026	8
	Port E data register	PEDR	R/W	H'FFE7 0028	H'1FE7 0028	8
	Port F data register	PFDR	R/W	H'FFE7 002A	H'1FE7 002A	8
	Port G data register	PGDR	R/W	H'FFE7 002C	H'1FE7 002C	8
	Port H data register	PHDR	R/W	H'FFE7 002E	H'1FE7 002E	8
	Port J data register	PJDR	R/W	H'FFE7 0030	H'1FE7 0030	8
	Port K data register	PKDR	R/W	H'FFE7 0032	H'1FE7 0032	8
	Port L data register	PLDR	R/W	H'FFE7 0034	H'1FEA 0034	8
	Port M data register	PMDR	R/W	H'FFE7 0036	H'1FEA 0036	8
	Port N data register	PNDR	R/W	H'FFE7 0038	H'1FEA 0038	8
	Port P data register	PPDR	R/W	H'FFE7 003A	H'1FEA 003A	8
	Port Q data register	PQDR	R/W	H'FFE7 003C	H'1FEA 003C	8
	Port R data register	PRDR	R/W	H'FFE7 003E	H'1FEA 003E	8
	Port E pull-up control register	PEPUPR	R/W	H'FFE7 0048	H'1FEA 0048	8
	Port H pull-up control register	PHPUPR	R/W	H'FFE7 004E	H'1FEA 004E	8
	Port J pull-up control register	PJPUPR	R/W	H'FFE7 0050	H'1FE7 0050	8
	Port K pull-up control register	PKPUPR	R/W	H'FFE7 0052	H'1FE7 0052	8
	Port L pull-up control register	PLPUPR	R/W	H'FFE7 0054	H'1FE7 0054	8
	Port M pull-up control register	PMPUPR	R/W	H'FFE7 0056	H'1FE7 0056	8

31. Register List

Module Name	Name	Abbreviation	R/W	P4 Area Address	Area 7 Address	Access Size
GPIO	Port N pull-up control register	PNPUPR	R/W	H'FFE7 0058	H'1FE7 0058	8
	Input pin pull-up control register 1	PPUPR1	R/W	H'FFE7 0060	H'1FE7 0060	16
	Input pin pull-up control register 2	PPUPR2	R/W	H'FFE7 0062	H'1FE7 0062	16
	Peripheral module select register 1	P1MSELR	R/W	H'FFE7 0080	H'1FE7 0080	16
	Peripheral module select register 2	P2MSELR	R/W	H'FFE7 0082	H'1FE7 0082	16
UBC	Match condition setting register 0	CBR0	R/W	H'FF200000	H'1F200000	32
	Match operation setting register 0	CRR0	R/W	H'FF200004	H'1F200004	32
	Match address setting register 0	CAR0	R/W	H'FF200008	H'1F200008	32
	Match address mask setting register 0	CAMR0	R/W	H'FF20000C	H'1F20000C	32
	Match condition setting register 1	CBR1	R/W	H'FF200020	H'1F200020	32
	Match operation setting register 1	CRR1	R/W	H'FF200024	H'1F200024	32
	Match address setting register 1	CAR1	R/W	H'FF200028	H'1F200028	32
	Match address mask setting register 1	CAMR1	R/W	H'FF20002C	H'1F20002C	32
	Match data setting register 1	CDR1	R/W	H'FF200030	H'1F200030	32
	Match data mask setting register 1	CDMR1	R/W	H'FF200034	H'1F200034	32
	Execution count break register 1	CETR1	R/W	H'FF200038	H'1F200038	32
	Channel match flag register	CCMFR	R/W	H'FF200600	H'1F200600	32
	Break control register	CBCR	R/W	H'FF200620	H'1F200620	32
H-UDI	Instruction register	SDIR	R	H'FC11 0000	H'1C11 0000	16
	Interrupt source register	SDINT	R/W	H'FC11 0018	H'1C11 0018	16
	Boundary scan register	SDBSR	—	—	—	—
	Bypass register	SDBPR	—	—	—	—

- Notes:
1. The interrupt source registers (INTREQ) are readable and conditionally writable registers. For details, refer to section 10.3.1 (4), Interrupt Source Register (INTREQ).
 2. The NMI flag control register (NMIFCR) is readable and conditionally writable register. For details, refer to section 10.3.1 (11), NMI Flag Control Register (NMIFCR).
 3. To clear the flag, the HE and TE bits in CHCR can be read as 1, and then, 0 can be written to.
 4. To clear the flag, the AE and NMIF bits in DMAOR can be read as 1, and then, 0 can be written to.
 5. To clear a flag, only writing 0 to bits 7 to 4, 1, and 0 is valid.
 6. To clear a flag, only writing 0 to bit 0 is valid.

31.2 States of the Registers in the Individual Operating Modes

The states of the I/O registers incorporated in the SH7785 in the individual operating modes are listed in tables 31.2 to table 31.9. The registers are described in order of section number in this manual, and are grouped by functional module. Since this is a summary, parts of the descriptions, along with the notes, have been omitted. For details on the registers, refer to the descriptions in the corresponding sections.

Table 31.2 States of the Registers in the Individual Operating Modes (1)

Module Name	Name	Abbrev.	Power-on Reset by PRESET Pin/ WDT/H-UDI	Manual Reset by WDT/Multiple Exception	Sleep/ Deep Sleep by SLEEP Instruction
Exception processing	TRAPA exception register	TRA	Undefined	Undefined	Retained
	Exception event register	EXPEVT	H'0000 0000	H'0000 0020	Retained
	Interrupt event register	INTEVT	Undefined	Undefined	Retained
	Non-support detection exception register	EXPMASK	H'0000 0013	H'0000 0013	Retained
MMU	Page table entry high register	PTEH	Undefined	Undefined	Retained
	Page table entry low register	PTL	Undefined	Undefined	Retained
	Translation table base register	TTB	Undefined	Undefined	Retained
	TLB exception address register	TEA	Undefined	Retained	Retained
	MMU control register	MMUCR	H'0000 0000	H'0000 0000	Retained
	Physical address space control register	PASCR	H'0000 0000	H'0000 0000	Retained
	Instruction re-fetch inhibit control register	IRMCR	H'0000 0000	H'0000 0000	Retained
	Page table entry assistance register	PTEA	Undefined	Undefined	Retained
Cache	Cache control register	CCR	H'0000 0000	H'0000 0000	Retained
	Queue address control register 0	QACR0	Undefined	Undefined	Retained
	Queue address control register 1	QACR1	Undefined	Undefined	Retained
	On-chip memory control register	RAMCR	H'0000 0000	H'0000 0000	Retained
L memory	L memory transfer source address register 0	LSA0	Undefined	Undefined	Retained
	L memory transfer source address register 1	LSA1	Undefined	Undefined	Retained
	L memory transfer destination address register 0	LDA0	Undefined	Undefined	Retained
	L memory transfer destination address register 1	LDA1	Undefined	Undefined	Retained

31. Register List

Module Name	Name	Abbrev.	Power-on Reset by PRESET Pin/ WDT/H-UDI	Manual Reset by WDT/Multiple Exception	Sleep/ Deep Sleep by SLEEP Instruction
INTC	Interrupt control register 0	ICR0	H'x000 0000* ¹	H'x000 0000* ¹	Retained
	Interrupt control register 1	ICR1	H'0000 0000	H'0000 0000	Retained
	Interrupt priority register	INTPRI	H'0000 0000	H'0000 0000	Retained
	Interrupt source register	INTREQ	H'0000 0000	H'0000 0000	Retained
	Interrupt mask register 0	INTMSK0	H'0000 0000	H'0000 0000	Retained
	Interrupt mask register 1	INTMSK1	H'FF00 0000	H'FF00 0000	Retained
	Interrupt mask register 2	INTMSK2	H'0000 0000	H'0000 0000	Retained
	Interrupt mask clear register 0	INTMSKCLR0	H'xx00 0000	H'xx00 0000	Retained
	Interrupt mask clear register 1	INTMSKCLR1	H'x000 0000	H'x000 0000	Retained
	Interrupt mask clear register 2	INTMSKCLR2	H'xxxx xxxx	H'xxxx xxxx	Retained
	NMI flag control register	NMIFCR	H'x000 0000* ¹	H'x000 0000* ¹	Retained
	User interrupt mask level register	USERIMASK	H'0000 0000	H'0000 0000	Retained
	Interrupt priority register 0	INT2PRI0	H'0000 0000	H'0000 0000	Retained
	Interrupt priority register 1	INT2PRI1	H'0000 0000	H'0000 0000	Retained
	Interrupt priority register 2	INT2PRI2	H'0000 0000	H'0000 0000	Retained
	Interrupt priority register 3	INT2PRI3	H'0000 0000	H'0000 0000	Retained
	Interrupt priority register 4	INT2PRI4	H'0000 0000	H'0000 0000	Retained
	Interrupt priority register 5	INT2PRI5	H'0000 0000	H'0000 0000	Retained
	Interrupt priority register 6	INT2PRI6	H'0000 0000	H'0000 0000	Retained
	Interrupt priority register 7	INT2PRI7	H'0000 0000	H'0000 0000	Retained
	Interrupt priority register 8	INT2PRI8	H'0000 0000	H'0000 0000	Retained
	Interrupt priority register 9	INT2PRI9	H'0000 0000	H'0000 0000	Retained
	Interrupt source register (not affected by the mask state)	INT2A0	H'xxxx xxxx	H'xxxx xxxx	Retained
	Interrupt source register (affected by the mask state)	INT2A1	H'0000 0000	H'0000 0000	Retained
	Interrupt mask register	INT2MSKR	H'FFFF FFFF	H'FFFF FFFF	Retained
	Interrupt mask clear register	INT2MSKCR	H'0000 0000	H'0000 0000	Retained
	Module interrupt source register 0	INT2B0	H'xxxx xxxx	H'xxxx xxxx	Retained
	Module interrupt source register 1	INT2B1	H'xxxx xxxx	H'xxxx xxxx	Retained

Module Name	Name	Abbrev.	Power-on Reset by PRESET Pin/ WDT/H-UDI	Manual Reset by WDT/Multiple Exception	Sleep/ Deep Sleep by SLEEP Instruction
INTC	Module interrupt source register 2	INT2B2	H'xxxx xxxx	H'xxxx xxxx	Retained
	Module interrupt source register 3	INT2B3	H'xxxx xxxx	H'xxxx xxxx	Retained
	Module interrupt source register 4	INT2B4	H'xxxx xxxx	H'xxxx xxxx	Retained
	Module interrupt source register 5	INT2B5	H'xxxx xxxx	H'xxxx xxxx	Retained
	Module interrupt source register 6	INT2B6	H'xxxx xxxx	H'xxxx xxxx	Retained
	Module interrupt source register 7	INT2B7	H'xxxx xxxx	H'xxxx xxxx	Retained
	GPIO interrupt set register	INT2GPIC	H'0000 0000	H'0000 0000	Retained
LBSC	Memory Address Map Select Register	MMSELR	H'0000 0000	H'0000 0000	Retained
	Bus Control Register	BCR	H'x000 0000	Retained	Retained
	CS0 Bus Control Register	CS0BCR	H'7777 77F0	Retained	Retained
	CS1 Bus Control Register	CS1BCR	H'7777 77F0	Retained	Retained
	CS2 Bus Control Register	CS2BCR	H'7777 77F0	Retained	Retained
	CS3 Bus Control Register	CS3BCR	H'7777 77F0	Retained	Retained
	CS4 Bus Control Register	CS4BCR	H'7777 77F0	Retained	Retained
	CS5 Bus Control Register	CS5BCR	H'7777 77F0	Retained	Retained
	CS6 Bus Control Register	CS6BCR	H'7777 77F0	Retained	Retained
	CS0 Wait Control Register	CS0WCR	H'7777 770F	Retained	Retained
	CS1 Wait Control Register	CS1WCR	H'7777 770F	Retained	Retained
	CS2 Wait Control Register	CS2WCR	H'7777 770F	Retained	Retained
	CS3 Wait Control Register	CS3WCR	H'7777 770F	Retained	Retained
	CS4 Wait Control Register	CS4WCR	H'7777 770F	Retained	Retained
	CS5 Wait Control Register	CS5WCR	H'7777 770F	Retained	Retained
	CS6 Wait Control Register	CS6WCR	H'7777 770F	Retained	Retained
	CS5 PCMCIA Control Register	CS5PCR	H'7700 0000	Retained	Retained
CS6 PCMCIA Control Register	CS6PCR	H'7700 0000	Retained	Retained	
DDR2IF	DBSC2 status register	DBSTATE	H'0000 0x00* ¹	Retained	Retained
	SDRAM operation enable register	DBEN	H'0000 0000	Retained	Retained
	SDRAM command control register	DBCMDCNT	H'0000 0000	Retained	Retained
	SDRAM configuration setting register	DBCONF	H'009A 0001	Retained	Retained

31. Register List

Module Name	Name	Abbrev.	Power-on Reset by PRESET Pin/ WDT/H-UDI	Manual Reset by WDT/Multiple Exception	Sleep/ Deep Sleep by SLEEP Instruction
DDR2IF	SDRAM timing register 0	DBTR0	H'0203 0501	Retained	Retained
	SDRAM timing register 1	DBTR1	H'0001 0001	Retained	Retained
	SDRAM timing register 2	DBTR2	H'0104 0303	Retained	Retained
	SDRAM refresh control register 0	DBRFCNT0	H'0000 0000	Retained	Retained
	SDRAM refresh control register 1	DBRFCNT1	H'0000 0200	Retained	Retained
	SDRAM refresh control register 2	DBRFCNT2	H'1000 0080	Retained	Retained
	SDRAM refresh status register	DBRFSTS	H'0000 0000	Retained	Retained
	DDRPAD frequency setting register	DBFREQ	H'0000 0000	Retained	Retained
	DDRPAD DIC, ODT, OCD setting register	DBDICODTOCD	H'0000 0007	Retained	Retained
	SDRAM mode setting register	DBMRCNT	Undefined	Retained	Retained
PCIC	Control register space (physical address: H'FE00 0000 to H'FE03 FFFF)				
	PCIC enable control register	PCIECR	H'0000 0000	Retained	Retained
	PCI configuration register space (physical address: H'FE04 0000 to H'FE04 00FF)				
	PCI vendor ID register	PCIVID	H'1912	Retained	Retained
	PCI device ID register	PCIDID	H'0007	Retained	Retained
	PCI command register	PCICMD	H'0080	Retained	Retained
	PCI status register	PCISTATUS	H'0290	Retained	Retained
	PCI revision ID register	PCIRID	H'xx	Retained	Retained
	PCI program interface register	PCIPIF	H'00	Retained	Retained
	PCI sub class code register	PCISUB	H'00	Retained	Retained
	PCI base class code register	PCIBCC	H'xx	Retained	Retained
	PCI cache line size register	PCICLS	H'20	Retained	Retained
	PCI latency timer register	PCILTM	H'00	Retained	Retained
	PCI header type register	PCIHDR	H'00	Retained	Retained
	PCI BIST register	PCIBIST	H'00	Retained	Retained
	PCI I/O base address register	PCIIBAR	H'0000 0001	Retained	Retained
	PCI Memory base address register 0	PCIMBAR0	H'0000 0000	Retained	Retained
PCI Memory base address register 1	PCIMBAR1	H'0000 0000	Retained	Retained	
PCI subsystem vendor ID register	PCISVID	H'0000	Retained	Retained	
PCI subsystem ID register	PCISID	H'0000	Retained	Retained	

Module Name	Name	Abbrev.	Power-on Reset by PRESET Pin/ WDT/H-UDI	Manual Reset by WDT/Multiple Exception	Sleep/ Deep Sleep by SLEEP Instruction	
PCIC	PCI capabilities pointer register	PCICP	H'40	Retained	Retained	
	PCI interrupt line register	PCIINTLINE	H'00	Retained	Retained	
	PCI interrupt pin register	PCIINTPIN	H'01	Retained	Retained	
	PCI minimum grant register	PCIMINGNT	H'00	Retained	Retained	
	PCI maximum latency register	PCIMAXLAT	H'00	Retained	Retained	
	PCI capability ID register	PCICID	H'01	Retained	Retained	
	PCI next item pointer register	PCINIP	H'00	Retained	Retained	
	PCI power management capability register	PCIPMC	H'000A	Retained	Retained	
	PCI power management control/status register	PCIPMCSR	H'0000	Retained	Retained	
	PCI PMCSR bridge support extension register	PCIPMCSR_BSE	H'00	Retained	Retained	
	PCI power consumption/dissipation data register	PCIPCDD	H'00	Retained	Retained	
	PCI local register space (physical address: H'FE04 0100 to H'FE04 03FF)					
	PCI control register	PCICR	H'0000 00xx	Retained	Retained	
	PCI local space register 0	PCILSR0	H'0000 0000	Retained	Retained	
	PCI local space register 1	PCILSR1	H'0000 0000	Retained	Retained	
	PCI local address register 0	PCILAR0	H'0000 0000	Retained	Retained	
	PCI local address register 1	PCILAR1	H'0000 0000	Retained	Retained	
	PCI interrupt register	PCIIR	H'0000 0000	Retained	Retained	
	PCI interrupt mask register	PCIIMR	H'0000 0000	Retained	Retained	
	PCI error address information register	PCIAIR	H'xxxx xxxx	Retained	Retained	
	PCI error command information register	PCICIR	H'xx00 000x	Retained	Retained	
	PCI arbiter interrupt register	PCIAINT	H'0000 0000	Retained	Retained	
	PCI arbiter interrupt mask register	PCIAINTM	H'0000 0000	Retained	Retained	
PCI arbiter bus master error information register	PCIBMIR	H'0000 00xx	Retained	Retained		
PCI PIO address register	PCIPAR	H'80xx xxxx	Retained	Retained		
PCI power management interrupt register	PCIPINT	H'0000 0000	Retained	Retained		

Module Name	Name	Abbrev.	Power-on Reset by PRESET Pin/ WDT/H-UDI	Manual Reset by WDT/Multiple Exception	Sleep/ Deep Sleep by SLEEP Instruction
PCIC	PCI power management interrupt mask register	PCIPINTM	H'0000 0000	Retained	Retained
	PCI memory bank register 0	PCIMBR0	H'0000 0000	Retained	Retained
	PCI memory bank mask register 0	PCIMBMR0	H'0000 0000	Retained	Retained
	PCI memory bank register 1	PCIMBR1	H'0000 0000	Retained	Retained
	PCI memory bank mask register 1	PCIMBMR1	H'0000 0000	Retained	Retained
	PCI memory bank register 2	PCIMBR2	H'0000 0000	Retained	Retained
	PCI memory bank mask register 2	PCIMBMR2	H'0000 0000	Retained	Retained
	PCI I/O bank register	PCIIOBR	H'0000 0000	Retained	Retained
	PCI I/O bank master register	PCIIOBMR	H'0000 0000	Retained	Retained
	PCI cache snoop control register 0	PCICSCR0	H'0000 0000	Retained	Retained
	PCI cache snoop control register 1	PCICSCR1	H'0000 0000	Retained	Retained
	PCI cache snoop address register 0	PCICSAR0	H'0000 0000	Retained	Retained
	PCI cache snoop address register 1	PCICSAR1	H'0000 0000	Retained	Retained
	PCI PIO data register	PCIPDR	H'xxxx xxxx	Retained	Retained

- Notes: 1. Initial values of ICR0.NMIL and NMIFCR.NMIL depend on the level input to the NMI pin.
2. Initial values depend on the settings of external pin MODE8.

Table 31.3 States of the Registers in the Individual Operating Modes (2)

Module Name	Name	Abbrev.	Power-on Reset by PRESET Pin/ WDT/H-JDI	Manual Reset by WDT/Multiple Exception	Sleep/ Deep Sleep by SLEEP Instruction	Module Standby
DMAC	DMA source address register 0	SAR0	Undefined	Undefined	Retained	Retained
	DMA destination address register 0	DAR0	Undefined	Undefined	Retained	Retained
	DMA transfer count register 0	TCR0	Undefined	Undefined	Retained	Retained
	DMA channel control register 0	CHCR0	H'4000 0000	H'4000 0000	Retained	Retained
	DMA source address register 1	SAR1	Undefined	Undefined	Retained	Retained
	DMA destination address register 1	DAR1	Undefined	Undefined	Retained	Retained
	DMA transfer count register 1	TCR1	Undefined	Undefined	Retained	Retained
	DMA channel control register 1	CHCR1	H'4000 0000	H'4000 0000	Retained	Retained
	DMA source address register 2	SAR2	Undefined	Undefined	Retained	Retained
	DMA destination address register 2	DAR2	Undefined	Undefined	Retained	Retained
	DMA transfer count register 2	TCR2	Undefined	Undefined	Retained	Retained
	DMA channel control register 2	CHCR2	H'4000 0000	H'4000 0000	Retained	Retained
	DMA source address register 3	SAR3	Undefined	Undefined	Retained	Retained
	DMA destination address register 3	DAR3	Undefined	Undefined	Retained	Retained
	DMA transfer count register 3	TCR3	Undefined	Undefined	Retained	Retained
	DMA channel control register 3	CHCR3	H'4000 0000	H'4000 0000	Retained	Retained
	DMA operation register 0	DMAOR0	H'0000	H'0000	Retained	Retained
	DMA source address register 4	SAR4	Undefined	Undefined	Retained	Retained
	DMA destination address register 4	DAR4	Undefined	Undefined	Retained	Retained
	DMA transfer count register 4	TCR4	Undefined	Undefined	Retained	Retained
	DMA channel control register 4	CHCR4	H'4000 0000	H'4000 0000	Retained	Retained
	DMA source address register 5	SAR5	Undefined	Undefined	Retained	Retained
	DMA destination address register 5	DAR5	Undefined	Undefined	Retained	Retained
	DMA transfer count register 5	TCR5	Undefined	Undefined	Retained	Retained
	DMA channel control register 5	CHCR5	H'4000 0000	H'4000 0000	Retained	Retained
	DMA source address register B0	SARB0	Undefined	Undefined	Retained	Retained
	DMA destination address register B0	DARB0	Undefined	Undefined	Retained	Retained
	DMA transfer count register B0	TCRB0	Undefined	Undefined	Retained	Retained

31. Register List

Module Name	Name	Abbrev.	Power-on Reset by PRESET Pin/ WDT/H-UDI	Manual Reset by WDT/Multiple Exception	Sleep/ Deep Sleep by SLEEP Instruction	Module Standby
DMAC	DMA source address register B1	SARB1	Undefined	Undefined	Retained	Retained
	DMA destination address register B1	DARB1	Undefined	Undefined	Retained	Retained
	DMA transfer count register B1	TCRB1	Undefined	Undefined	Retained	Retained
	DMA source address register B2	SARB2	Undefined	Undefined	Retained	Retained
	DMA destination address register B2	DARB2	Undefined	Undefined	Retained	Retained
	DMA transfer count register B2	TCRB2	Undefined	Undefined	Retained	Retained
	DMA source address register B3	SARB3	Undefined	Undefined	Retained	Retained
	DMA destination address register B3	DARB3	Undefined	Undefined	Retained	Retained
	DMA transfer count register B3	TCRB3	Undefined	Undefined	Retained	Retained
	DMA extended resource selector 0	DMARS0	H'0000	H'0000	Retained	Retained
	DMA extended resource selector 1	DMARS1	H'0000	H'0000	Retained	Retained
	DMA extended resource selector 2	DMARS2	H'0000	H'0000	Retained	Retained
	DMA source address register 6	SAR6	Undefined	Undefined	Retained	Retained
	DMA destination address register 6	DAR6	Undefined	Undefined	Retained	Retained
	DMA transfer count register 6	TCR6	Undefined	Undefined	Retained	Retained
	DMA channel control register 6	CHCR6	H'4000 0000	H'4000 0000	Retained	Retained
	DMA source address register 7	SAR7	Undefined	Undefined	Retained	Retained
	DMA destination address register 7	DAR7	Undefined	Undefined	Retained	Retained
	DMA transfer count register 7	TCR7	Undefined	Undefined	Retained	Retained
	DMA channel control register 7	CHCR7	H'4000 0000	H'4000 0000	Retained	Retained
	DMA source address register 8	SAR8	Undefined	Undefined	Retained	Retained
	DMA destination address register 8	DAR8	Undefined	Undefined	Retained	Retained
	DMA transfer count register 8	TCR8	Undefined	Undefined	Retained	Retained
	DMA channel control register 8	CHCR8	H'4000 0000	H'4000 0000	Retained	Retained
	DMA source address register 9	SAR9	Undefined	Undefined	Retained	Retained
	DMA destination address register 9	DAR9	Undefined	Undefined	Retained	Retained
	DMA transfer count register 9	TCR9	Undefined	Undefined	Retained	Retained
	DMA channel control register 9	CHCR9	H'4000 0000	H'4000 0000	Retained	Retained
	DMA operation register 1	DMAOR1	H'0000	H'0000	Retained	Retained

Module Name	Name	Abbrev.	Power-on Reset by $\overline{\text{PRESET}}$ Pin/ WDT/H-UDI	Manual Reset by WDT/Multiple Exception	Sleep/ Deep Sleep by SLEEP Instruction	Module Standby
DMAC	DMA source address register 10	SAR10	Undefined	Undefined	Retained	Retained
	DMA destination address register 10	DAR10	Undefined	Undefined	Retained	Retained
	DMA transfer count register 10	TCR10	Undefined	Undefined	Retained	Retained
	DMA channel control register 10	CHCR10	H'4000 0000	H'4000 0000	Retained	Retained
	DMA source address register 11	SAR11	Undefined	Undefined	Retained	Retained
	DMA destination address register 11	DAR11	Undefined	Undefined	Retained	Retained
	DMA transfer count register 11	TCR11	Undefined	Undefined	Retained	Retained
	DMA channel control register 11	CHCR11	H'4000 0000	H'4000 0000	Retained	Retained
	DMA source address register B6	SARB6	Undefined	Undefined	Retained	Retained
	DMA destination address register B6	DARB6	Undefined	Undefined	Retained	Retained
	DMA transfer count register B6	TCRB6	Undefined	Undefined	Retained	Retained
	DMA source address register B7	SARB7	Undefined	Undefined	Retained	Retained
	DMA destination address register B7	DARB7	Undefined	Undefined	Retained	Retained
	DMA transfer count register B7	TCRB7	Undefined	Undefined	Retained	Retained
	DMA source address register B8	SARB8	Undefined	Undefined	Retained	Retained
	DMA destination address register B8	DARB8	Undefined	Undefined	Retained	Retained
	DMA transfer count register B8	TCRB8	Undefined	Undefined	Retained	Retained
	DMA source address register B9	SARB9	Undefined	Undefined	Retained	Retained
	DMA destination address register B9	DARB9	Undefined	Undefined	Retained	Retained
	DMA transfer count register B9	TCRB9	Undefined	Undefined	Retained	Retained
DMA extended resource selector 3	DMARS3	H'0000	H'0000	Retained	Retained	
DMA extended resource selector 4	DMARS4	H'0000	H'0000	Retained	Retained	
DMA extended resource selector 5	DMARS5	H'0000	H'0000	Retained	Retained	

Table 31.4 States of the Registers in the Individual Operating Modes (3)

Module Name	Name	Abbrev.	Power-on Reset by PRESET Pin/ WDT	Power-on Reset by H-UDI	Manual Reset by WDT/Multiple Exception	Sleep/ Deep Sleep by SLEEP Instruction
CPG/ Power-down	Frequency control register 0	FRQCR0	H'0000 0000	Retained	Retained	Retained
	Frequency control register 1	FRQCR1	H'0000 0000	Retained	Retained	Retained
	Frequency display register 1	FRQMR1	H'1xxx xxxx* ¹	Retained	Retained	Retained
	Sleep control register	SLPCR	H'0000 0000	Retained	Retained	Retained
	PLL control register	PLLCR	H'0000 0000	Retained	Retained	Retained
	Standby control register 0	MSTPCR0	H'0000 0000	Retained	Retained	Retained
	Standby control register 1	MSTPCR1	H'0000 0000	Retained	Retained	Retained
	Standby display register	MSTPMR	H'00x0 0000* ¹	Retained	Retained	Retained
WDT	Watchdog timer stop time register	WDTST	H'0000 0000	Retained	Retained	Retained
	Watchdog timer control/status register	WDTCSR	H'0000 0000	Retained	Retained	Retained
	Watchdog timer base stop time register	WDTBST	H'0000 0000	Retained	Retained	Retained
	Watchdog timer counter	WDCNT	H'0000 0000	H'0000 0000	Retained	Retained
	Watchdog timer base counter	WDTBCNT	H'0000 0000	H'0000 0000	Retained	Retained

- Notes: 1. The state of this register depends on the settings of mode pins MODE0 to MODE4, MODE11, and MODE12 obtained on a power-on reset via the $\overline{\text{PRESET}}$ pin.
2. The state of this register depends on the setting of mode pins MODE11 and MODE12 obtained on a power-on reset via the $\overline{\text{PRESET}}$ pin.

Table 31.5 States of the Registers in the Individual Operating Modes (4)

Module Name	Name	Abbrev.	Power-on Reset by PRESET Pin/ WDT/H-JDI	Manual Reset by WDT/Multiple Exception	Sleep/ Deep Sleep by SLEEP Instruction	Module Standby
TMU	Timer start register 0	TSTR0	H'00	H'00	Retained	Retained
	Timer constant register 0	TCOR0	H'FFFF FFFF	H'FFFF FFFF	Retained	Retained
	Timer counter 0	TCNT0	H'FFFF FFFF	H'FFFF FFFF	Retained	Retained
	Timer control register 0	TCR0	H'0000	H'0000	Retained	Retained
	Timer constant register 1	TCOR1	H'FFFF FFFF	H'FFFF FFFF	Retained	Retained
	Timer counter 1	TCNT1	H'FFFF FFFF	H'FFFF FFFF	Retained	Retained
	Timer control register 1	TCR1	H'0000	H'0000	Retained	Retained
	Timer constant register 2	TCOR2	H'FFFF FFFF	H'FFFF FFFF	Retained	Retained
	Timer counter 2	TCNT2	H'FFFF FFFF	H'FFFF FFFF	Retained	Retained
	Timer control register 2	TCR2	H'0000	H'0000	Retained	Retained
	Input capture register 2	TCPR2	Retained	Retained	Retained	Retained
	Timer start register 1	TSTR1	H'00	H'00	Retained	Retained
	Timer constant register 3	TCOR3	H'FFFF FFFF	H'FFFF FFFF	Retained	Retained
	Timer counter 3	TCNT3	H'FFFF FFFF	H'FFFF FFFF	Retained	Retained
	Timer control register 3	TCR3	H'0000	H'0000	Retained	Retained
	Timer constant register 4	TCOR4	H'FFFF FFFF	H'FFFF FFFF	Retained	Retained
	Timer counter 4	TCNT4	H'FFFF FFFF	H'FFFF FFFF	Retained	Retained
	Timer control register 4	TCR4	H'0000	H'0000	Retained	Retained
	Timer constant register 5	TCOR5	H'FFFF FFFF	H'FFFF FFFF	Retained	Retained
	Timer counter 5	TCNT5	H'FFFF FFFF	H'FFFF FFFF	Retained	Retained
Timer control register 5	TCR5	H'0000	H'0000	Retained	Retained	
DU	Display system control register	DSYSR	H'00000280	Retained	Retained	Retained
	Display mode register	DSMR	H'00000000	Retained	Retained	Retained
	Display status register	DSSR	H'30000000	Retained	Retained	Retained
	Display status register clear register	DSRCR	Undefined	Retained	Retained	Retained
	Display interrupt enable register	DIER	H'00000000	Retained	Retained	Retained
	Color palette control register	CPCR	H'00000000	Retained	Retained	Retained

31. Register List

Module Name	Name	Abbrev.	Power-on Reset by PRESET Pin/ WDT/H-UDI	Manual Reset by WDT/Multiple Exception	Sleep/ Deep Sleep by SLEEP Instruction	Module Standby
DU	Display plane priority order register	DPPR	H'00543210	Retained	Retained	Retained
	Display extension function enable register	DEFR	H'00000000	Retained	Retained	Retained
	Horizontal display start position register	HDSR	Undefined	Retained	Retained	Retained
	Horizontal display end position register	HDER	Undefined	Retained	Retained	Retained
	Vertical display start position register	VDSR	Undefined	Retained	Retained	Retained
	Vertical display end position register	VDER	Undefined	Retained	Retained	Retained
	Horizontal scan period register	HCR	Undefined	Retained	Retained	Retained
	Horizontal synchronous pulse width register	HSWR	Undefined	Retained	Retained	Retained
	Vertical scan period register	VCR	Undefined	Retained	Retained	Retained
	Vertical synchronous position register	VSPR	Undefined	Retained	Retained	Retained
	Equivalent pulse width register	EQWR	Undefined	Retained	Retained	Retained
	Separation width register	SPWR	Undefined	Retained	Retained	Retained
	CLAMP signal start position register	CLAMPSPR	Undefined	Retained	Retained	Retained
	CLAMP signal width register	CLAMPWPR	Undefined	Retained	Retained	Retained
	DE signal start position register	DESR	Undefined	Retained	Retained	Retained
	DE signal width register	DEWR	Undefined	Retained	Retained	Retained
	Color palette 1 transparent color register	CP1TR	H'00000000	Retained	Retained	Retained
	Color palette 2 transparent color register	CP2TR	H'00000000	Retained	Retained	Retained
	Color palette 3 transparent color register	CP3TR	H'00000000	Retained	Retained	Retained
	Color palette 4 transparent color register	CP4TR	H'00000000	Retained	Retained	Retained
	Display-off output register	DOOR	Undefined	Retained	Retained	Retained

Module Name	Name	Abbrev.	Power-on Reset by PRESET Pin/ WDT/H-UDI	Manual Reset by WDT/Multiple Exception	Sleep/ Deep Sleep by SLEEP Instruction	Module Standby
DU	Color detection register	CDER	Undefined	Retained	Retained	Retained
	Base color register	BPOR	Undefined	Retained	Retained	Retained
	Raster interrupt offset register	RINTOFSR	Undefined	Retained	Retained	Retained
	Plane 1 mode register	P1MR	H'00000000	Retained	Retained	Retained
	Plane 1 memory width register	P1MWR	Undefined	Retained	Retained	Retained
	Plane 1 blend ratio register	P1ALPHAR	Undefined	Retained	Retained	Retained
	Plane 1 display size X register	P1DSXR	Undefined	Retained	Retained	Retained
	Plane 1 display size Y register	P1DSYR	Undefined	Retained	Retained	Retained
	Plane 1 display position X register	P1DPXR	Undefined	Retained	Retained	Retained
	Plane 1 display position Y register	P1DPYR	Undefined	Retained	Retained	Retained
	Plane 1 display area start address 0 register	P1DSA0R	Undefined	Retained	Retained	Retained
	Plane 1 display area start address 1 register	P1DSA1R	Undefined	Retained	Retained	Retained
	Plane 1 start position X register	P1SPXR	Undefined	Retained	Retained	Retained
	Plane 1 start position Y register	P1SPYR	Undefined	Retained	Retained	Retained
	Plane 1 wrap-around start position register	P1WASPR	Undefined	Retained	Retained	Retained
	Plane 1 wrap-around memory width register	P1WAMWR	Undefined	Retained	Retained	Retained
	Plane 1 blinking period register	P1BTR	H'00000101	Retained	Retained	Retained
	Plane 1 transparent color 1 register	P1TC1R	Undefined	Retained	Retained	Retained
	Plane 1 transparent color 2 register	P1TC2R	Undefined	Retained	Retained	Retained
	Plane 1 memory length register	P1MLR	H'00000000	Retained	Retained	Retained
	Plane 2 mode register	P2MR	H'00000000	Retained	Retained	Retained
	Plane 2 memory width register	P2MWR	Undefined	Retained	Retained	Retained
	Plane 2 blend ratio register	P2ALPHAR	Undefined	Retained	Retained	Retained
	Plane 2 display size X register	P2DSXR	Undefined	Retained	Retained	Retained
	Plane 2 display size Y register	P2DSYR	Undefined	Retained	Retained	Retained
	Plane 2 display position X register	P2DPXR	Undefined	Retained	Retained	Retained
	Plane 2 display position Y register	P2DPYR	Undefined	Retained	Retained	Retained

31. Register List

Module Name	Name	Abbrev.	Power-on Reset by PRESET Pin/ WDT/H-UDI	Manual Reset by WDT/Multiple Exception	Sleep/ Deep Sleep by SLEEP Instruction	Module Standby
DU	Plane 2 display area start address 0 register	P2DSA0R	Undefined	Retained	Retained	Retained
	Plane 2 display area start address 1 register	P2DSA1R	Undefined	Retained	Retained	Retained
	Plane 2 start position X register	P2SPXR	Undefined	Retained	Retained	Retained
	Plane 2 start position Y register	P2SPYR	Undefined	Retained	Retained	Retained
	Plane 2 wrap-around start position register	P2WASPR	Undefined	Retained	Retained	Retained
	Plane 2 wrap-around memory width register	P2WAMWR	Undefined	Retained	Retained	Retained
	Plane 2 blinking period register	P2BTR	H'00000101	Retained	Retained	Retained
	Plane 2 transparent color 1 register	P2TC1R	Undefined	Retained	Retained	Retained
	Plane 2 transparent color 2 register	P2TC2R	Undefined	Retained	Retained	Retained
	Plane 2 memory length register	P2MLR	H'00000000	Retained	Retained	Retained
	Plane 3 mode register	P3MR	H'00000000	Retained	Retained	Retained
	Plane 3 memory width register	P3MWR	Undefined	Retained	Retained	Retained
	Plane 3 blend ratio register	P3ALPHAR	Undefined	Retained	Retained	Retained
	Plane 3 display size X register	P3DSXR	Undefined	Retained	Retained	Retained
	Plane 3 display size Y register	P3DSYR	Undefined	Retained	Retained	Retained
	Plane 3 display position X register	P3DPXR	Undefined	Retained	Retained	Retained
	Plane 3 display position Y register	P3DPYR	Undefined	Retained	Retained	Retained
	Plane 3 display area start address 0 register	P3DSA0R	Undefined	Retained	Retained	Retained
	Plane 3 display area start address 1 register	P3DSA1R	Undefined	Retained	Retained	Retained
	Plane 3 start position X register	P3SPXR	Undefined	Retained	Retained	Retained
Plane 3 start position Y register	P3SPYR	Undefined	Retained	Retained	Retained	
Plane 3 wrap-around start position register	P3WASPR	Undefined	Retained	Retained	Retained	
Plane 3 wrap-around memory width register	P3WAMWR	Undefined	Retained	Retained	Retained	
Plane 3 blinking period register	P3BTR	H'00000101	Retained	Retained	Retained	

Module Name	Name	Abbrev.	Power-on Reset by PRESET Pin/ WDT/H-UDI	Manual Reset by WDT/Multiple Exception	Sleep/ Deep Sleep by SLEEP Instruction	Module Standby
DU	Plane 3 transparent color 1 register	P3TC1R	Undefined	Retained	Retained	Retained
	Plane 3 transparent color 2 register	P3TC2R	Undefined	Retained	Retained	Retained
	Plane 3 memory length register	P3MLR	H'00000000	Retained	Retained	Retained
	Plane 4 mode register	P4MR	H'00000000	Retained	Retained	Retained
	Plane 4 memory width register	P4MWR	Undefined	Retained	Retained	Retained
	Plane 4 blend ratio register	P4ALPHAR	Undefined	Retained	Retained	Retained
	Plane 4 display size X register	P4DSXR	Undefined	Retained	Retained	Retained
	Plane 4 display size Y register	P4DSYR	Undefined	Retained	Retained	Retained
	Plane 4 display position X register	P4DPXR	Undefined	Retained	Retained	Retained
	Plane 4 display position Y register	P4DPYR	Undefined	Retained	Retained	Retained
	Plane 4 display area start address 0 register	P4DSA0R	Undefined	Retained	Retained	Retained
	Plane 4 display area start address 1 register	P4DSA1R	Undefined	Retained	Retained	Retained
	Plane 4 start position X register	P4SPXR	Undefined	Retained	Retained	Retained
	Plane 4 start position Y register	P4SPYR	Undefined	Retained	Retained	Retained
	Plane 4 wrap-around start position register	P4WASPR	Undefined	Retained	Retained	Retained
	Plane 4 wrap-around memory width register	P4WAMWR	Undefined	Retained	Retained	Retained
	Plane 4 blinking period register	P4BTR	H'00000101	Retained	Retained	Retained
	Plane 4 transparent color 1 register	P4TC1R	Undefined	Retained	Retained	Retained
	Plane 4 transparent color 2 register	P4TC2R	Undefined	Retained	Retained	Retained
	Plane 4 memory length register	P4MLR	H'00000000	Retained	Retained	Retained
	Plane 5 mode register	P5MR	H'00000000	Retained	Retained	Retained
	Plane 5 memory width register	P5MWR	Undefined	Retained	Retained	Retained
	Plane 5 blend ratio register	P5ALPHAR	Undefined	Retained	Retained	Retained
	Plane 5 display size X register	P5DSXR	Undefined	Retained	Retained	Retained
	Plane 5 display size Y register	P5DSYR	Undefined	Retained	Retained	Retained
	Plane 5 display position X register	P5DPXR	Undefined	Retained	Retained	Retained
	Plane 5 display position Y register	P5DPYR	Undefined	Retained	Retained	Retained

31. Register List

Module Name	Name	Abbrev.	Power-on Reset by PRESET Pin/ WDT/H-UDI	Manual Reset by WDT/Multiple Exception	Sleep/ Deep Sleep by SLEEP Instruction	Module Standby
DU	Plane 5 display area start address 0 register	P5DSA0R	Undefined	Retained	Retained	Retained
	Plane 5 display area start address 1 register	P5DSA1R	Undefined	Retained	Retained	Retained
	Plane 5 start position X register	P5SPXR	Undefined	Retained	Retained	Retained
	Plane 5 start position Y register	P5SPYR	Undefined	Retained	Retained	Retained
	Plane 5 wrap-around start position register	P5WASPR	Undefined	Retained	Retained	Retained
	Plane 5 wrap-around memory width register	P5WAMWR	Undefined	Retained	Retained	Retained
	Plane 5 blinking period register	P5BTR	H'00000101	Retained	Retained	Retained
	Plane 5 transparent color 1 register	P5TC1R	Undefined	Retained	Retained	Retained
	Plane 5 transparent color 2 register	P5TC2R	Undefined	Retained	Retained	Retained
	Plane 5 memory length register	P5MLR	H'00000000	Retained	Retained	Retained
	Plane 6 mode register	P6MR	H'00000000	Retained	Retained	Retained
	Plane 6 memory width register	P6MWR	Undefined	Retained	Retained	Retained
	Plane 6 blend ratio register	P6ALPHAR	Undefined	Retained	Retained	Retained
	Plane 6 display size X register	P6DSXR	Undefined	Retained	Retained	Retained
	Plane 6 display size Y register	P6DSYR	Undefined	Retained	Retained	Retained
	Plane 6 display position X register	P6DPXR	Undefined	Retained	Retained	Retained
	Plane 6 display position Y register	P6DPYR	Undefined	Retained	Retained	Retained
	Plane 6 display area start address 0 register	P6DSA0R	Undefined	Retained	Retained	Retained
	Plane 6 display area start address 1 register	P6DSA1R	Undefined	Retained	Retained	Retained
	Plane 6 start position X register	P6SPXR	Undefined	Retained	Retained	Retained
Plane 6 start position Y register	P6SPYR	Undefined	Retained	Retained	Retained	
Plane 6 wrap-around start position register	P6WASPR	Undefined	Retained	Retained	Retained	
Plane 6 wrap-around memory width register	P6WAMWR	Undefined	Retained	Retained	Retained	
Plane 6 blinking period register	P6BTR	H'00000101	Retained	Retained	Retained	

Module Name	Name	Abbrev.	Power-on Reset by PRESET Pin/ WDT/H-UDI	Manual Reset by WDT/Multiple Exception	Sleep/ Deep Sleep by SLEEP Instruction	Module Standby
DU	Plane 6 transparent color 1 register	P6TC1R	Undefined	Retained	Retained	Retained
	Plane 6 transparent color 2 register	P6TC2R	Undefined	Retained	Retained	Retained
	Plane 6 memory length register	P6MLR	H'00000000	Retained	Retained	Retained
	Color palette 1 register 000	CP1_000R	Undefined	Retained	Retained	Retained
	:	:	:	:	:	:
	Color palette 1 register 255	CP1_255R	Undefined	Retained	Retained	Retained
	Color palette 2 register 000	CP2_000R	Undefined	Retained	Retained	Retained
	:	:	:	:	:	:
	Color palette 2 register 255	CP2_255R	Undefined	Retained	Retained	Retained
	Color palette 3 register 000	CP3_000R	Undefined	Retained	Retained	Retained
	:	:	:	:	:	:
	Color palette 3 register 255	CP3_255R	Undefined	Retained	Retained	Retained
	Color palette 4 register 000	CP4_000R	Undefined	Retained	Retained	Retained
	:	:	:	:	:	:
	Color palette 4 register 255	CP4_255R	Undefined	Retained	Retained	Retained
External synchronization control register	ESCR	H'00000000	Retained	Retained	Retained	
Output signal timing adjustment register	OTAR	H'00000000	Retained	Retained	Retained	
GDTA	GA mask register	GACMR	H'0000 0000	H'0000 0000	Retained	Retained
	GA enable register	GACER	H'0000 0000	H'0000 0000	Retained	Retained
	GA processing end interrupt source indicating register	GACISR	H'0000 0000	H'0000 0000	Retained	Retained
	GA processing end interrupt source indication clear register	GACICR	H'0000 0000	H'0000 0000	Retained	Retained
	GA interrupt enable register	GACIER	H'0000 0000	H'0000 0000	Retained	Retained
	GA CL input data alignment register	DRCL_CTL	H'0000 0000	H'0000 0000	Retained	Retained
	GA CL output data alignment register	DWCL_CTL	H'0000 0000	H'0000 0000	Retained	Retained
	GA MC input data alignment register	DRMC_CTL	H'0000 0000	H'0000 0000	Retained	Retained

31. Register List

Module Name	Name	Abbrev.	Power-on Reset by PRESET Pin/ WDT/H-UDI	Manual Reset by WDT/Multiple Exception	Sleep/ Deep Sleep by SLEEP Instruction	Module Standby
GDTA	GA MC output data alignment register	DWMC_CTL	H'0000 0000	H'0000 0000	Retained	Retained
	GA buffer RAM 0 data alignment register	DCP_CTL	H'0000 0000	H'0000 0000	Retained	Retained
	GA buffer RAM 1 data alignment register	DID_CTL	H'0000 0000	H'0000 0000	Retained	Retained
	CL command FIFO	CLCF	H'0000 0000	H'0000 0000	Retained	Retained
	CL control register	CLCR	H'0000 0000	H'0000 0000	Retained	Retained
	CL status register	CLSR	H'0000 0000	H'0000 0000	Retained	Retained
	CL frame width setting register	CLWR	H'0000 0000	H'0000 0000	Retained	Retained
	CL frame height setting register	CLHR	H'0000 0000	H'0000 0000	Retained	Retained
	CL input Y padding size setting register	CLYPR	H'0000 0000	H'0000 0000	Retained	Retained
	CL input UV padding size setting register	CLIUVR	H'0000 0000	H'0000 0000	Retained	Retained
	CL output padding size setting register	CLOPR	H'0000 0000	H'0000 0000	Retained	Retained
	CL palette pointer setting register	CLPLPR	H'0000 0000	H'0000 0000	Retained	Retained
	MC command FIFO	MCCF	H'0000 0000	H'0000 0000	Retained	Retained
	MC status register	MCSR	H'0000 0000	H'0000 0000	Retained	Retained
	MC frame width setting register	MCWR	H'0000 0000	H'0000 0000	Retained	Retained
	MC frame height setting register	MCHR	H'0000 0000	H'0000 0000	Retained	Retained
	MC Y padding size setting register	MCYPR	H'0000 0000	H'0000 0000	Retained	Retained
	MC UV padding size setting register	MUVPR	H'0000 0000	H'0000 0000	Retained	Retained
	MC output frame Y pointer register	MCOYPR	H'0000 0000	H'0000 0000	Retained	Retained
	MC output frame U pointer register	MCOUPR	H'0000 0000	H'0000 0000	Retained	Retained
	MC output frame V pointer register	MCOVPR	H'0000 0000	H'0000 0000	Retained	Retained
	MC past frame Y pointer register	MCPYPR	H'0000 0000	H'0000 0000	Retained	Retained
	MC past frame U pointer register	MCPUPR	H'0000 0000	H'0000 0000	Retained	Retained
	MC past frame V pointer register	MCPVPR	H'0000 0000	H'0000 0000	Retained	Retained
	MC future frame Y pointer register	MCFYPR	H'0000 0000	H'0000 0000	Retained	Retained

Module Name	Name	Abbrev.	Power-on Reset by PRESET Pin/ WDT/H-UDI	Manual Reset by WDT/Multiple Exception	Sleep/ Deep Sleep by SLEEP Instruction	Module Standby
GDTA	MC future frame U pointer register	MCFUPR	H'0000 0000	H'0000 0000	Retained	Retained
	MC future frame V pointer register	MCFVPR	H'0000 0000	H'0000 0000	Retained	Retained
SCIF	Serial mode register 0	SCSMR0	H'0000	H'0000	Retained	Retained
	Bit rate register 0	SCBRR0	H'FF	H'FF	Retained	Retained
	Serial control register 0	SCSCR0	H'0000	H'0000	Retained	Retained
	Transmit FIFO data register 0	SCFTDR0	Undefined	Undefined	Retained	Retained
	Serial status register 0	SCFSR0	H'0060	H'0060	Retained	Retained
	Receive FIFO data register 0	SCFRDR0	Undefined	Undefined	Retained	Retained
	FIFO control register 0	SCFCR0	H'0000	H'0000	Retained	Retained
	Transmit FIFO data count register 0	SCTFDR0	H'0000	H'0000	Retained	Retained
	Receive FIFO data count register 0	SCRFRDR0	H'0000	H'0000	Retained	Retained
	Serial port register 0	SCSPTR0	H'000x*1	H'000x*1	Retained	Retained
	Line status register 0	SCLSR0	H'0000	H'0000	Retained	Retained
	Serial error register 0	SCRER0	H'0000	H'0000	Retained	Retained
	Serial mode register 1	SCSMR1	H'0000	H'0000	Retained	Retained
	Bit rate register 1	SCBRR1	H'FF	H'FF	Retained	Retained
	Serial control register 1	SCSCR1	H'0000	H'0000	Retained	Retained
	Transmit FIFO data register 1	SCFTDR1	Undefined	Undefined	Retained	Retained
	Serial status register 1	SCFSR1	H'0060	H'0060	Retained	Retained
	Receive FIFO data register 1	SCFRDR1	Undefined	Undefined	Retained	Retained
	FIFO control register 1	SCFCR1	H'0000	H'0000	Retained	Retained
	Transmit FIFO data count register 1	SCTFDR1	H'0000	H'0000	Retained	Retained
	Receive FIFO data count register 1	SCRFRDR1	H'0000	H'0000	Retained	Retained
	Serial port register 1	SCSPTR1	H'000x*2	H'000x*2	Retained	Retained
Line status register 1	SCLSR1	H'0000	H'0000	Retained	Retained	
Serial error register 1	SCRER1	H'0000	H'0000	Retained	Retained	
Serial mode register 2	SCSMR2	H'0000	H'0000	Retained	Retained	
Bit rate register 2	SCBRR2	H'FF	H'FF	Retained	Retained	
Serial control register 2	SCSCR2	H'0000	H'0000	Retained	Retained	

31. Register List

Module Name	Name	Abbrev.	Power-on Reset by PRESET Pin/ WDT/H-UDI	Manual Reset by WDT/Multiple Exception	Sleep/ Deep Sleep by SLEEP Instruction	Module Standby
SCIF	Transmit FIFO data register 2	SCFTDR2	Undefined	Undefined	Retained	Retained
	Serial status register 2	SCFSR2	H'0060	H'0060	Retained	Retained
	Receive FIFO data register 2	SCFRDR2	Undefined	Undefined	Retained	Retained
	FIFO control register 2	SCFCR2	H'0000	H'0000	Retained	Retained
	Transmit FIFO data count register 2	SCTFDR2	H'0000	H'0000	Retained	Retained
	Receive FIFO data count register 2	SCRFDR2	H'0000	H'0000	Retained	Retained
	Serial port register 2	SCSPTR2	H'000x*2	H'000x*2	Retained	Retained
	Line status register 2	SCLSR2	H'0000	H'0000	Retained	Retained
	Serial error register 2	SCRER2	H'0000	H'0000	Retained	Retained
	Serial mode register 3	SCSMR3	H'0000	H'0000	Retained	Retained
	Bit rate register 3	SCBRR3	H'FF	H'FF	Retained	Retained
	Serial control register 3	SCSCR3	H'0000	H'0000	Retained	Retained
	Transmit FIFO data register 3	SCFTDR3	Undefined	Undefined	Retained	Retained
	Serial status register 3	SCFSR3	H'0060	H'0060	Retained	Retained
	Receive FIFO data register 3	SCFRDR3	Undefined	Undefined	Retained	Retained
	FIFO control register 3	SCFCR3	H'0000	H'0000	Retained	Retained
	Transmit FIFO data count register 3	SCTFDR3	H'0000	H'0000	Retained	Retained
	Receive FIFO data count register 3	SCRFDR3	H'0000	H'0000	Retained	Retained
	Serial port register 3	SCSPTR3	H'000x*2	H'000x*2	Retained	Retained
	Line status register 3	SCLSR3	H'0000	H'0000	Retained	Retained
	Serial error register 3	SCRER3	H'0000	H'0000	Retained	Retained
	Serial mode register 4	SCSMR4	H'0000	H'0000	Retained	Retained
	Bit rate register 4	SCBRR4	H'FF	H'FF	Retained	Retained
	Serial control register 4	SCSCR4	H'0000	H'0000	Retained	Retained
	Transmit FIFO data register 4	SCFTDR4	Undefined	Undefined	Retained	Retained
	Serial status register 4	SCFSR4	H'0060	H'0060	Retained	Retained
	Receive FIFO data register 4	SCFRDR4	Undefined	Undefined	Retained	Retained
	FIFO control register 4	SCFCR4	H'0000	H'0000	Retained	Retained
	Transmit FIFO data count register 4	SCTFDR4	H'0000	H'0000	Retained	Retained
	Receive FIFO data count register 4	SCRFDR4	H'0000	H'0000	Retained	Retained

Module Name	Name	Abbrev.	Power-on Reset by PRESET Pin/ WDT/H-UDI	Manual Reset by WDT/Multiple Exception	Sleep/ Deep Sleep by SLEEP Instruction	Module Standby
SCIF	Serial port register 4	SCSPTR4	H'000x*2	H'000x*2	Retained	Retained
	Line status register 4	SCLSR4	H'0000	H'0000	Retained	Retained
	Serial error register 4	SCRER4	H'0000	H'0000	Retained	Retained
	Serial mode register 5	SCSMR5	H'0000	H'0000	Retained	Retained
	Bit rate register 5	SCBRR5	H'FF	H'FF	Retained	Retained
	Serial control register 5	SCSCR5	H'0000	H'0000	Retained	Retained
	Transmit FIFO data register 5	SCFTDR5	Undefined	Undefined	Retained	Retained
	Serial status register 5	SCFSR5	H'0060	H'0060	Retained	Retained
	Receive FIFO data register 5	SCFRDR5	Undefined	Undefined	Retained	Retained
	FIFO control register 5	SCFCR5	H'0000	H'0000	Retained	Retained
	Transmit FIFO data count register 5	SCTFDR5	H'0000	H'0000	Retained	Retained
	Receive FIFO data count register 5	SCRFDR5	H'0000	H'0000	Retained	Retained
	Serial port register 5	SCSPTR5	H'000x*2	H'000x*2	Retained	Retained
	Line status register 5	SCLSR5	H'0000	H'0000	Retained	Retained
Serial error register 5	SCRER5	H'0000	H'0000	Retained	Retained	
SIOF	Mode register	SIMDR	H'8000	H'8000	Retained	Retained
	Clock select register	SISCR	H'C000	H'C000	Retained	Retained
	Transmit data assign register	SITDAR	H'0000	H'0000	Retained	Retained
	Receive data assign register	SIRDAR	H'0000	H'0000	Retained	Retained
	Control data assign register	SICDAR	H'0000	H'0000	Retained	Retained
	Control register	SICTR	H'0000	H'0000	Retained	Retained
	FIFO control register	SIFCTR	H'1000	H'1000	Retained	Retained
	Status register	SISTR	H'0000	H'0000	Retained	Retained
	Interrupt enable register	SIIER	H'0000	H'0000	Retained	Retained

- Notes: 1. Bits 2 and 0 are undefined.
2. Bits 6, 4, 2 and 0 are undefined.

Table 31.6 States of the Registers in the Individual Operating Modes (5)

Module Name	Name	Abbrev.	Power-on Reset by PRESET Pin/ WDT/H-UDI	Manual Reset by WDT/Multiple Exception	Sleep/ Deep Sleep by SLEEP Instruction	Module Standby	Software Reset
HSPI	Control register	SPCR	H'0000 0000	H'0000 0000	Retained	Retained	Retained
	Status register	SPSR	H'xxxx x120	H'xxxx x120	Retained	Retained	H'xxxx x1xx*
	System control register	SPSCR	H'0000 0040	H'0000 0040	Retained	Retained	Retained
	Transmit buffer register	SPTBR	H'0000 0000	H'0000 0000	Retained	Retained	Retained
	Receive buffer register	SPRBR	H'0000 0000	H'0000 0000	Retained	Retained	Retained

Note: "x" represents an undefined value. The values of bits 9, 6, 4, and 3 are retained from the prior state. The other bits, except those that have undefined initial values, are initialized.

Table 31.7 States of the Registers in the Individual Operating Modes (6)

Module Name	Name	Abbrev.	Power-on Reset by PRESET Pin/ WDT/H-JDI	Manual Reset by WDT/Multiple Exception	Sleep/ Deep Sleep by SLEEP Instruction	Module Standby
MMCIF	Command register 0	CMDR0	H'00	H'00	Retained	Retained
	Command register 1	CMDR1	H'00	H'00	Retained	Retained
	Command register 2	CMDR2	H'00	H'00	Retained	Retained
	Command register 3	CMDR3	H'00	H'00	Retained	Retained
	Command register 4	CMDR4	H'00	H'00	Retained	Retained
	Command register 5	CMDR5	H'00	H'00	Retained	Retained
	Command start register	CMDSTRT	H'00	H'00	Retained	Retained
	Operation control register	OPCR	H'00	H'00	Retained	Retained
	Card status register	CSTR	H'0x	H'0x	Retained	Retained
	Interrupt control register 0	INTCR0	H'00	H'00	Retained	Retained
	Interrupt control register 1	INTCR1	H'00	H'00	Retained	Retained
	Interrupt status register 0	INTSTR0	H'00	H'00	Retained	Retained
	Interrupt status register 1	INTSTR1	H'00	H'00	Retained	Retained
	Transfer clock control register	CLKON	H'00	H'00	Retained	Retained
	Command timeout control register	CTOCR	H'01	H'01	Retained	Retained
	Transfer byte number count register	TBCR	H'00	H'00	Retained	Retained
	Mode register	MODER	H'00	H'00	Retained	Retained
	Command type register	CMDTYR	H'00	H'00	Retained	Retained
	Response type register	RSPTYR	H'00	H'00	Retained	Retained
	Transfer block number counter	TBNCR	H'0000	H'0000	Retained	Retained
	Response register 0	RSPR0	H'00	H'00	Retained	Retained
	Response register 1	RSPR1	H'00	H'00	Retained	Retained
	Response register 2	RSPR2	H'00	H'00	Retained	Retained
	Response register 3	RSPR3	H'00	H'00	Retained	Retained
	Response register 4	RSPR4	H'00	H'00	Retained	Retained
	Response register 5	RSPR5	H'00	H'00	Retained	Retained
Response register 6	RSPR6	H'00	H'00	Retained	Retained	

31. Register List

Module Name	Name	Abbrev.	Power-on Reset by PRESET Pin/ WDT/H-UDI	Manual Reset by WDT/Multiple Exception	Sleep/ Deep Sleep by SLEEP Instruction	Module Standby
MMCIF	Response register 7	RSPR7	H'00	H'00	Retained	Retained
	Response register 8	RSPR8	H'00	H'00	Retained	Retained
	Response register 9	RSPR9	H'00	H'00	Retained	Retained
	Response register 10	RSPR10	H'00	H'00	Retained	Retained
	Response register 11	RSPR11	H'00	H'00	Retained	Retained
	Response register 12	RSPR12	H'00	H'00	Retained	Retained
	Response register 13	RSPR13	H'00	H'00	Retained	Retained
	Response register 14	RSPR14	H'00	H'00	Retained	Retained
	Response register 15	RSPR15	H'00	H'00	Retained	Retained
	Response register 16	RSPR16	H'00	H'00	Retained	Retained
	CRC status register	RSPRD	H'00	H'00	Retained	Retained
	Data timeout register	DTOUTR	H'FFFF	H'FFFF	Retained	Retained
	Data register	DR	H'xxxx	H'xxxx	Retained	Retained
	FIFO pointer clear register	FIFOCLR	H'00	H'00	Retained	Retained
	DMA control register	DMACR	H'00	H'00	Retained	Retained
	Interrupt control register 2	INTCR2	H'00	H'00	Retained	Retained
Interrupt status register 2	INTSTR2	H'0x	H'0x	Retained	Retained	
HAC	Control and status register 0	HACCR0	H'0000 0200	H'0000 0200	Retained	Retained
	Command/status address register 0	HACCSAR0	H'0000 0000	H'0000 0000	Retained	Retained
	Command/status data register 0	HACCSDR0	H'0000 0000	H'0000 0000	Retained	Retained
	PCM left channel register 0	HACPCML0	H'0000 0000	H'0000 0000	Retained	Retained
	PCM right channel register 0	HACPCMR0	H'0000 0000	H'0000 0000	Retained	Retained
	TX interrupt enable register 0	HACTIER0	H'0000 0000	H'0000 0000	Retained	Retained
	TX status register 0	HACTSR0	H'F000 0000	H'F000 0000	Retained	Retained
	RX interrupt enable register 0	HACRIER0	H'0000 0000	H'0000 0000	Retained	Retained
	RX status register 0	HACRSR0	H'0000 0000	H'0000 0000	Retained	Retained
	HAC control register 0	HACACR0	H'8400 0000	H'8400 0000	Retained	Retained
	Control and status register 1	HACCR1	H'0000 0200	H'0000 0200	Retained	Retained
Command/status address register 1	HACCSAR1	H'0000 0000	H'0000 0000	Retained	Retained	

Module Name	Name	Abbrev.	Power-on Reset by PRESET Pin/ WDT/H-UDI	Manual Reset by WDT/Multiple Exception	Sleep/ Deep Sleep by SLEEP Instruction	Module Standby
HAC	Command/status data register 1	HACCSDR1	H'0000 0000	H'0000 0000	Retained	Retained
	PCM left channel register 1	HACPCML1	H'0000 0000	H'0000 0000	Retained	Retained
	PCM right channel register 1	HACPCMR1	H'0000 0000	H'0000 0000	Retained	Retained
	TX interrupt enable register 1	HACTIER1	H'0000 0000	H'0000 0000	Retained	Retained
	TX status register 1	HACTSR1	H'F000 0000	H'F000 0000	Retained	Retained
	RX interrupt enable register 1	HACRIER1	H'0000 0000	H'0000 0000	Retained	Retained
	RX status register 1	HACRSR1	H'0000 0000	H'0000 0000	Retained	Retained
	HAC control register 1	HACACR1	H'8400 0000	H'8400 0000	Retained	Retained
SSI	Control register 0	SSICR0	H'0000 0000	H'0000 0000	Retained	Retained
	Status register 0	SSISR0	H'0200 0003	H'0200 0003	Retained	Retained
	Transmit data register 0	SSITDR0	H'0000 0000	H'0000 0000	Retained	Retained
	Receive data register 0	SSIRDR0	H'0000 0000	H'0000 0000	Retained	Retained
	Control register 1	SSICR1	H'0000 0000	H'0000 0000	Retained	Retained
	Status register 1	SSISR1	H'0200 0003	H'0200 0003	Retained	Retained
	Transmit data register 1	SSITDR1	H'0000 0000	H'0000 0000	Retained	Retained
	Receive data register 1	SSIRDR1	H'0000 0000	H'0000 0000	Retained	Retained
FLCTL	Common control register	FLCMNCR	H'0000 0000	H'0000 0000	Retained	Retained
	Command control register	FLCMDCR	H'0000 0000	H'0000 0000	Retained	Retained
	Command code register	FLCMCDR	H'0000 0000	H'0000 0000	Retained	Retained
	Address register	FLADR	H'0000 0000	H'0000 0000	Retained	Retained
	Data register	FLDATAR	H'0000 0000	H'0000 0000	Retained	Retained
	Data counter register	FLDTCNTR	H'0000 0000	H'0000 0000	Retained	Retained
	Interrupt DMA control register	FLINTDMACR	H'0000 0000	H'0000 0000	Retained	Retained
	Ready busy timeout setting register	FLBSYTMR	H'0000 0000	H'0000 0000	Retained	Retained
	Ready busy timeout counter	FLBSYCNT	H'0000 0000	H'0000 0000	Retained	Retained
	Data FIFO register	FLDTFIFO	Undefined	Undefined	Retained	Retained
	Control code FIFO register	FLECFIFO	Undefined	Undefined	Retained	Retained
	Transfer control register	FLTRCR	H'00	H'00	Retained	Retained
Address register 2	FLADR2	H'0000 0000	H'0000 0000	Retained	Retained	

Module Name	Name	Abbrev.	Power-on Reset by PRESET Pin/ WDT/H-UDI	Manual Reset by WDT/Multiple Exception	Sleep/ Deep Sleep by SLEEP Instruction	Module Standby
GPIO	Port A control register	PACR	H'0000	Retained	Retained	Retained
	Port B control register	PBCR	H'0000	Retained	Retained	Retained
	Port C control register	PCCR	H'0000	Retained	Retained	Retained
	Port D control register	PDCR	H'0000	Retained	Retained	Retained
	Port E control register	PECR	H'00C3	Retained	Retained	Retained
	Port F control register	PFGR	H'0000	Retained	Retained	Retained
	Port G control register	PGCR	H'0000	Retained	Retained	Retained
	Port H control register	PHCR	H'FFFF	Retained	Retained	Retained
	Port J control register	PJCR	H'FFFF	Retained	Retained	Retained
	Port K control register	PKCR	H'0FFF	Retained	Retained	Retained
	Port L control register	PLCR	H'FFFF	Retained	Retained	Retained
	Port M control register	PMCR	H'FFF0	Retained	Retained	Retained
	Port N control register	PNGR	H'FFFF	Retained	Retained	Retained
	Port P control register	PPCR	H'0000	Retained	Retained	Retained
	Port Q control register	PQCR	H'0000	Retained	Retained	Retained
	Port R control register	PRCR	H'0000	Retained	Retained	Retained
	Port A data register	PADR	H'00	Retained	Retained	Retained
	Port B data register	PBDR	H'00	Retained	Retained	Retained
	Port C data register	PCDR	H'00	Retained	Retained	Retained
	Port D data register	PDDR	H'00	Retained	Retained	Retained
	Port E data register	PEDR	H'0x	Retained	Retained	Retained
	Port F data register	PFDR	H'00	Retained	Retained	Retained
	Port G data register	PGDR	H'00	Retained	Retained	Retained
	Port H data register	PHDR	H'00	Retained	Retained	Retained
	Port J data register	PJDR	H'xx	Retained	Retained	Retained
	Port K data register	PKDR	H'xx	Retained	Retained	Retained
	Port L data register	PLDR	H'xx	Retained	Retained	Retained
	Port M data register	PMDR	H'xx	Retained	Retained	Retained
	Port N data register	PNDR	H'xx	Retained	Retained	Retained

Module Name	Name	Abbrev.	Power-on Reset by $\overline{\text{PRESET}}$ Pin/ WDT/H-UDI	Manual Reset by WDT/Multiple Exception	Sleep/ Deep Sleep by SLEEP Instruction	Module Standby
GPIO	Port P data register	PPDR	H'00	Retained	Retained	Retained
	Port Q data register	PQDR	H'00	Retained	Retained	Retained
	Port R data register	PRDR	H'00	Retained	Retained	Retained
	Port E pull-up control register	PEPUPR	H'FF	Retained	Retained	Retained
	Port H pull-up control register	PHPUPR	H'FF	Retained	Retained	Retained
	Port J pull-up control register	PJPUPR	H'FF	Retained	Retained	Retained
	Port K pull-up control register	PKPUPR	H'FF	Retained	Retained	Retained
	Port L pull-up control register	PLPUPR	H'FF	Retained	Retained	Retained
	Port M pull-up control register	PMPUPR	H'FF	Retained	Retained	Retained
	Port N pull-up control register	PNPUPR	H'FF	Retained	Retained	Retained
	Input pin pull-up control register 1	PPUPR1	H'FFFF	Retained	Retained	Retained
	Input pin pull-up control register 2	PPUPR2	H'FFFF	Retained	Retained	Retained
	Peripheral module select register 1	P1MSELR	H'0000	Retained	Retained	Retained
	Peripheral module select register 2	P2MSELR	H'0000	Retained	Retained	Retained

Table 31.8 States of the Registers in the Individual Operating Modes (7)

Module Name	Name	Abbrev.	Power-on Reset by PRESET Pin/ WDT/H-UDI	Manual Reset by WDT/Multiple Exception	Sleep/ Deep Sleep by SLEEP Instruction
UBC	Match condition setting register 0	CBR0	H'20000000	Retained	Retained
	Match operation setting register 0	CRR0	H'00002000	Retained	Retained
	Match address setting register 0	CAR0	Undefined	Retained	Retained
	Match address mask setting register 0	CAMR0	Undefined	Retained	Retained
	Match condition setting register 1	CBR1	H'20000000	Retained	Retained
	Match operation setting register 1	CRR1	H'00002000	Retained	Retained
	Match address setting register 1	CAR1	Undefined	Retained	Retained
	Match address mask setting register 1	CAMR1	Undefined	Retained	Retained
	Match data setting register 1	CDR1	Undefined	Retained	Retained
	Match data mask setting register 1	CDMR1	Undefined	Retained	Retained
	Execution count break register 1	CETR1	Undefined	Retained	Retained
	Channel match flag register	CCMFR	H'00000000	Retained	Retained
	Break control register	CBCR	H'00000000	Retained	Retained

Table 31.9 States of the Registers in the Individual Operating Modes (8)

Module Name	Name	Abbrev.	Power-on Reset by PRESET Pin/ WDT/H-UDI	Manual Reset by WDT/Multiple Exception	Sleep/ Deep Sleep by SLEEP Instruction	Module Standby
H-UDI	Instruction register	SDIR	H'0EFF	Retained	Retained	Retained
	Interrupt source register	SDINT	H'0000	Retained	Retained	Retained

Section 32 Electrical Characteristics

32.1 Absolute Maximum Ratings

Table 32.1 Absolute Maximum Ratings*1,2

Item	Symbol	Value	Unit
I/O, CPG, PCI power supply voltage	V_{DDQ}	-0.3 to 4.5	V
	$V_{DDQ-PLL1}$		
	$V_{DDQ-PLL2}$		
	V_{DDQ-TD}		
Internal power supply voltage	V_{DD}	-0.3 to 1.4	V
	$V_{DD-PLL1/2}$		
	$V_{DDA-PLL1}$		
DDR power supply	V_{DD-DDR}	-0.3 to 2.5	V
Input voltage	V_{in} (3.3V type)	-0.3 to $V_{DDQ} + 0.3$	V
	V_{in} (1.8V type)	-0.3 to $V_{DD-DDR} + 0.3$	
Operating temperature	T_{opr}	-20 to 85	°C
		-40 to 85*3	
Storage temperature	T_{stg}	-55 to 125	°C

Notes: 1. The LSI may be permanently damaged if the maximum ratings are exceeded.

2. The LSI may be permanently damaged if any of the V_{SS} , V_{SSQ} , V_{SSQ-TD} , $V_{SSQ-PLL1/2}$, $V_{SS-PLL1/2}$, and $V_{SSA-PLL1}$ pins are not connected to GND.

3. R8A77850AADB(V) only.

32.2 DC Characteristics

Table 32.2 DC Characteristics ($T_a = -20$ to $85/-40$ to 85°C)

Item		Symbol	Min.	Typ.	Max.	Unit	Test Conditions
Power supply voltage		V_{DDQ}	3.0	3.3	3.6	V	Normal mode, sleep mode, module standby mode
		$V_{DDQ-PLL1/2}$					
		V_{DDQ-TD}					
		V_{DD-DDR}	1.7	1.8	1.9		
		V_{DD}	1.0	1.1	1.2		
		$V_{DD-PLL1/2}$					
		$V_{DDA-PLL1}$					
	V_{ref}	$0.49 \times V_{DD-DDR}$	$0.50 \times V_{DD-DDR}$	$0.51 \times V_{DD-DDR}$			
Current dissipation	Normal operation	I_{DD}	—	1800	3000	mA	Ick = 600 MHz
			—	900	1700		Bck = 100 MHz
	Sleep mode	I_{DD}	—	70	145	mA	Pck = 50 MHz
			—	50	100		DDRck = 300 MHz
	Normal operation	ΣI_{DD-PLL}	—	3	7	mA	PCICLK = 66 MHz
			—	2	4		Ick = 600 MHz
	Sleep mode	$\Sigma I_{DDQ-PLL}$	—	3	7	mA	Bck = 100 MHz
			—	2	4		Pck = 50 MHz
	Normal operation	I_{DD-DDR}	—	—	450	mA	DDRck = 300 MHz,
			—	—	450		ODT enable (75, 150 Ω)
Sleep mode	I_{DD-DDR}	—	260	600	μA	$V_{DD-DDR} = 1.8\text{V}$, ODT disable	
		—	260	600			

Item	Symbol	Min.	Typ.	Max.	Unit	Test Conditions	
Input voltage	PRESET, NMI, TRST	V_{IH}	$V_{DDQ} \times 0.9$	—	$V_{DDQ} + 0.3$	V	$V_{DDQ} = 3.0$ to 3.6 V
	EXTAL		$V_{DDQ} \times 0.8$	—	$V_{DDQ} + 0.3$		~34MHz External clock input
			$V_{DDQ} \times 1.0$	—	$V_{DDQ} + 0.3$		34MHz~67MHz External clock input
	DDR pins	$V_{IH(DC)}$	$V_{ref} + 0.125$	—	$V_{DD-DDR} + 0.3$		
		$V_{IH(AC)}$	$V_{ref} + 0.2$	—	—		
	PCICLK	V_{IH}	$V_{DDQ} \times 0.6$	—	$V_{DDQ} + 0.3$		
	Other PCI pins		$V_{DDQ} \times 0.5$	—	$V_{DDQ} + 0.3$		
Other input pins		2.0	—	$V_{DDQ} + 0.3$			
Input voltage	PRESET, NMI, TRST	V_{IL}	-0.3	—	$V_{DDQ} \times 0.1$	V	$V_{DDQ} = 3.0$ to 3.6 V
	EXTAL		-0.3	—	$V_{DDQ} \times 0.2$		~34MHz External clock input
			-0.3	—	$V_{DDQ} \times 0.2$		34MHz~67MHz External clock input
	DDR pins	$V_{IL(DC)}$	-0.3	—	$V_{ref} - 0.125$		
		$V_{IL(AC)}$	—	—	$V_{ref} - 0.2$		
	PCICLK	V_{IL}	-0.3	—	$V_{DDQ} \times 0.3$		
	Other PCI pins		-0.3	—	$V_{DDQ} \times 0.2$		
Other input pins		-0.3	—	$V_{DDQ} \times 0.2$			

Item		Symbol	Min.	Typ.	Max.	Unit	Item
AC differential input voltage		$V_{ID(AC)}$	0.5		$V_{DD-DDR} + 0.6$	V	
AC differential cross point voltage		$V_{IX(AC)}$	$V_{DD-DDR} \times 0.5 - 0.175$	—	$V_{DD-DDR} \times 0.5 + 0.175$		
Input leak current	DDR pins	L	—	—	5	μA	
Three-state leak current	All input pins	lin	—	—	1	μA	$V_{IN} = 0.5$ to $V_{DDQ} - 0.5 V$
	I/O, all output pins (off condition)	Isti	—	—	1		$V_{IN} = 0.5$ to $V_{DDQ} - 0.5 V$

Item		Symbol	Min.	Typ.	Max.	Unit	Test Conditions
Output voltage	PCI pins	V_{OH}	2.4	—	—	V	$V_{DDQ} = 3.0\text{ V}$ $I_{OH} = -4\text{ mA}$
	DDR pins		$V_{TT} + 0.603$	—	—		$V_{TT} = V_{ref} - 0.04\text{ V}$ $I_{OH} = -13.4\text{ mA}$
	AUDCK, AUDSYNC, AUDATA0, AUDATA1, AUDATA2, AUDATA3		$V_{TT} + 0.603$	—	—		
	Other output pins		2.4	—	—		$V_{DDQ} = 3.0\text{ V}$ $I_{OH} = -2\text{ mA}$
	PCI pins	V_{OL}	—	—	0.55		$V_{DDQ} = 3.0\text{ V}$ $I_{OL} = 4\text{ mA}$
	DDR pins		—	—	$V_{TT} - 0.603$		$V_{TT} = V_{ref} + 0.04\text{ V}$ $I_{OL} = 13.4\text{ mA}$
	AUDCK, AUDSYNC, AUDATA0, AUDATA1, AUDATA2, AUDATA3		—	—	$V_{TT} - 0.603$		
Other output pins		—	—	0.55		$V_{DDQ} = 3.0\text{ V}$ $I_{OL} = 2\text{ mA}$	
AC differential cross point voltage		$V_{OX(AC)}$	$V_{DD-DDR} \times 0.5 - 0.125$	—	$V_{DD-DDR} \times 0.5 + 0.125$	V	
Pull-up resistance	PCI pins	R_{pull}	2	10	18	k Ω	
	Other pins		20	100	180		
Pin capacitance	DDR pins	C_L	—	—	10	pF	
	AUDCK, AUDSYNC, AUDATA0, AUDATA1, AUDATA2, AUDATA3,		—	—	10		
	Other pins		—	—	10		

Notes: 1. Regardless of whether or not the PLL is used, connect $V_{DD-PLL1/2}$, $V_{DDA-PLL1}$ and $V_{DDQ-PLL1/2}$ to the power supply, and $V_{SS-PLL1/2}$, $V_{SSA-PLL1}$ and $V_{DDQ-PLL1/2}$ to GND. The LSI may be damage when not filling this.

2. The current dissipation values are for $V_{IH\ min} = V_{DDQ} - 0.5\text{ V}$ and $V_{IL\ max} = 0.5\text{ V}$ with all output pins unload.

Table 32.3 Permissible Output Currents

Item	Symbol	Min.	Typ.	Max.	Unit
Permissible output low current (per pin; DDR pins)	I_{OL}	—	—	13.4	mA
Permissible output low current (per pin; PCI pins)		—	—	4	
Permissible output low current (per pin; other than DDR and PCI pins)		—	—	2	
Permissible output low current (total)	ΣI_{OL}	—	—	120	
Permissible output high current (per pin; DDR pins)	$-I_{OH}$	—	—	13.4	
Permissible output high current (per pin; PCI pins)		—	—	4	
Permissible output high current (per pin; other than DDR and PCI pins)		—	—	2	
Permissible output high current (total)	$\Sigma -I_{OH} $	—	—	40	

Note: To protect chip reliability, do not exceed the output current values in table 32.3.

Table 32.4 ODT Characteristics

Item	Symbol	Min.	Typ.	Max.	Unit
Rtt effective impedance value for EMRS	Rtt1	50	75	100	Ω
	Rtt2	100	150	200	
Deviation of V_M with respect to $V_{DD-DDR}/2$	ΔVM	-6		+6	%

32.3 AC Characteristics

In principle, this LSI's input should be synchronous. Unless specified otherwise, ensure that the setup time and hold times for each input signal are observed.

Table 32.5 Clock Timing

Item		Symbol	Min.	Typ.	Max.	Unit
Operating frequency	CPU, FPU, cache, TLB	f	1		603	MHz
	DDR2-SDRAM bus		200		302	
	External bus		1		101	
	PCI bus		DC		67	
	Peripheral modules		1		51	

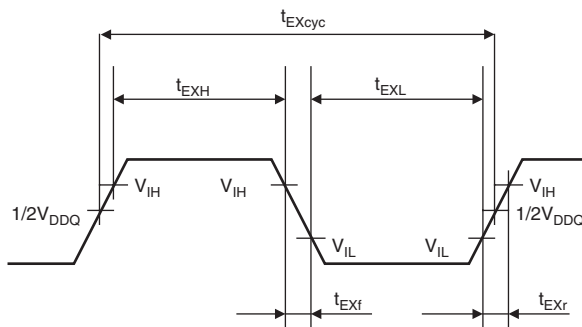
32.3.1 Clock and Control Signal Timing

Table 32.6 Clock and Control Signal Timing

Item		Symbol	Min.	Max.	Unit	Figure
EXTAL clock input frequency	Divider 1: $\times 1$, PLL1: $\times 72$, PLL2 in operation* ⁴	f_{EX}	12	17	MHz	
	Divider 1: $\times 1$, PLL1: $\times 36$, PLL2 in operation* ⁶		23	34		
EXTAL clock input cycle time	Divider 1: $\times 1$, PLL1: $\times 72$, PLL2 in operation* ⁴	t_{EXcyc}	59	83	ns	32.1
	Divider 1: $\times 1$, PLL1: $\times 36$, PLL2 in operation* ⁶		29	43		
EXTAL clock input low pulse width		t_{EXL}	3.5	—	ns	32.1
EXTAL clock input high pulse width		t_{EXH}	3.5	—	ns	32.1
EXTAL clock input rise time		t_{EXr}	—	4	ns	32.1
EXTAL clock input fall time		t_{EXf}	—	4	ns	32.1
CLKOUT clock output (with use of PLL1/PLL2)		f_{OP}	25	101	MHz	
CLKOUT clock output cycle time		t_{CKOcyc}	10	1000	ns	32.2
CLKOUT clock output low pulse width		t_{CKOL1}	1	—	ns	32.2
CLKOUT clock output high pulse width		t_{CKOH1}	1	—	ns	32.2
CLKOUT clock output rise time		t_{CKOr}	—	3	ns	32.2
CLKOUT clock output fall time		t_{CKOf}	—	3	ns	32.2
CLKOUT clock output low pulse width		t_{CKOL2}	3	—	ns	32.3
CLKOUT clock output high pulse width		t_{CKOH2}	3	—	ns	32.3
Power-on oscillation settling time		t_{OSC1}	10	—	ms	32.4
Power-on oscillation settling time/mode (MODE14, MODE10, MODE9, MODE4 to MODE0) settling time		t_{OSCMD}	10	—	ms	32.4
MODE (MODE13 to MODE11, MODE8 to MODE5) reset setup time		t_{MDRS}	3	—	t_{cyc}	32.6

Item	Symbol	Min.	Max.	Unit	Figure	
MODE reset hold time	MODE13 to MODE11, MODE8 to MODE5	t_{MDRH}	20	—	ns	32.6
	MODE14, MODE10, MODE9, MODE4 to MODE0					32.4
PRESET assert time		t_{RESW}	20	—	t_{cyc}	32.4
PLL synchronization settling time		t_{PLL}	400	—	μs	32.5
TRST reset hold time		t_{TRSTRH}	0	—	ns	32.4
PRESET input rise time		t_{PRr}	—	20	μs	32.6
PRESET input fall time		t_{PRf}	—	20	μs	32.6

- Notes:
1. With a crystal resonator connected on EXTAL and XTAL, the maximum frequency is 34 MHz. When using a third-order overtone crystal resonator, a tank circuit must be connected externally.
 2. The load capacitance connected on the CLKOUT pin should be not greater than 50 pF.
 3. t_{cyc} is the period of one CLKOUT clock cycle.
 4. This applies to clock operating modes 0, 1, 2, and 3 (see table 15.2).
 5. This applies to clock operating modes 8, 9, 10, and 11 (see table 15.2).
 6. This applies to clock operating modes 16, 17, 18, and 19 (see table 15.2).



Note: When the clock is input from the EXTAL pin.

Figure 32.1 EXTAL Clock Input Timing

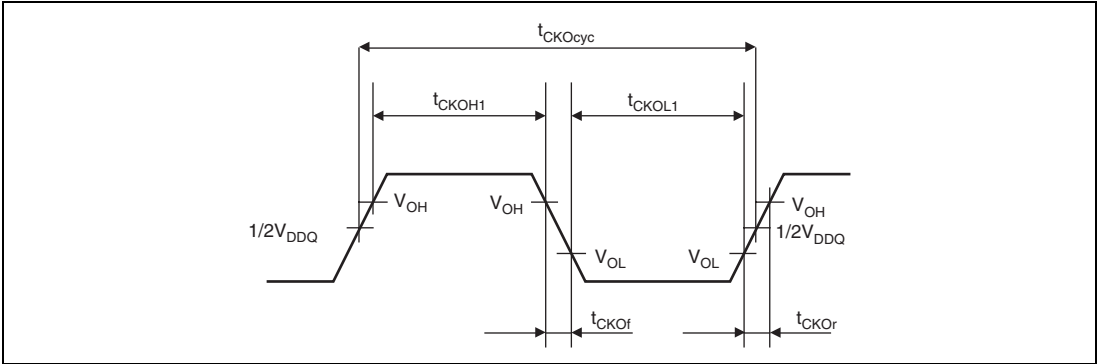


Figure 32.2 CLKOUT Clock Output Timing (1)

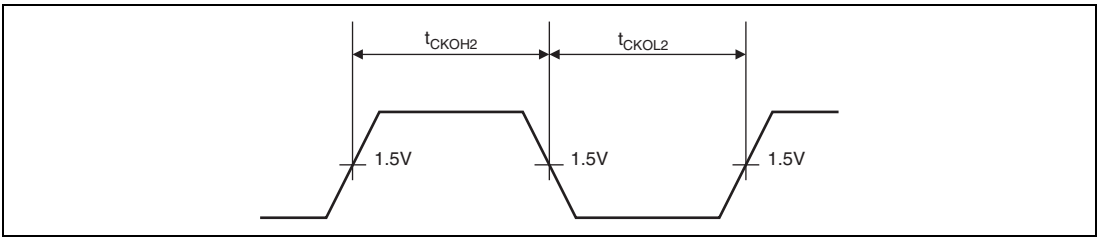


Figure 32.3 CLKOUT Clock Output Timing (2)

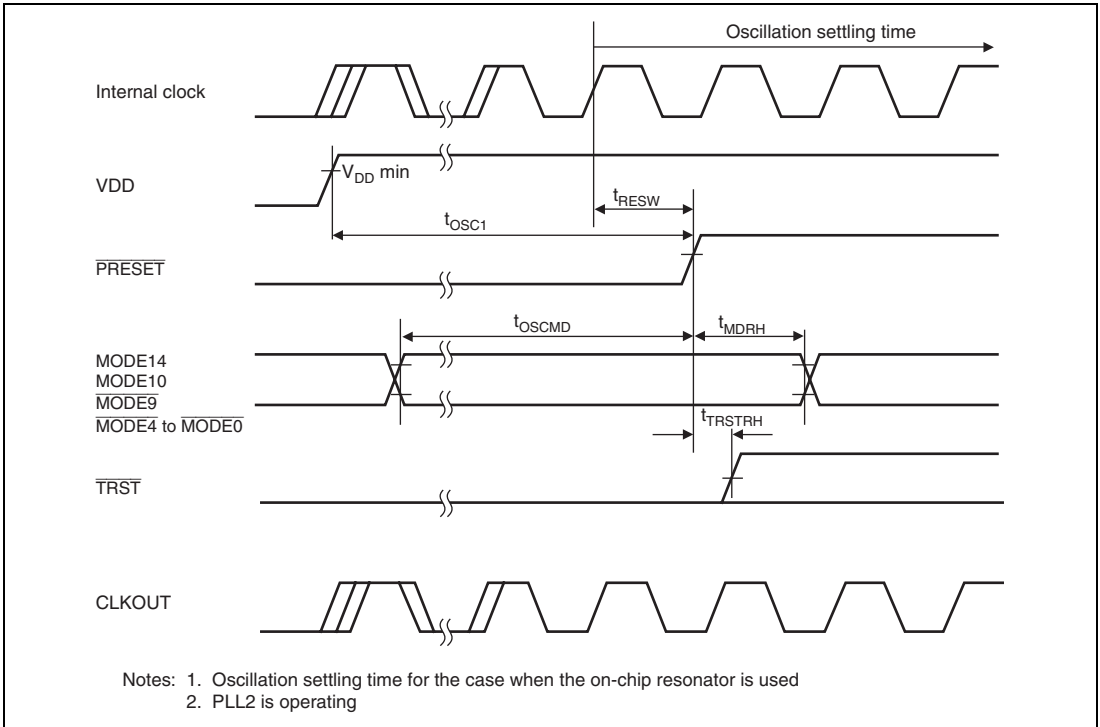


Figure 32.4 Power-On Oscillation Settling Time

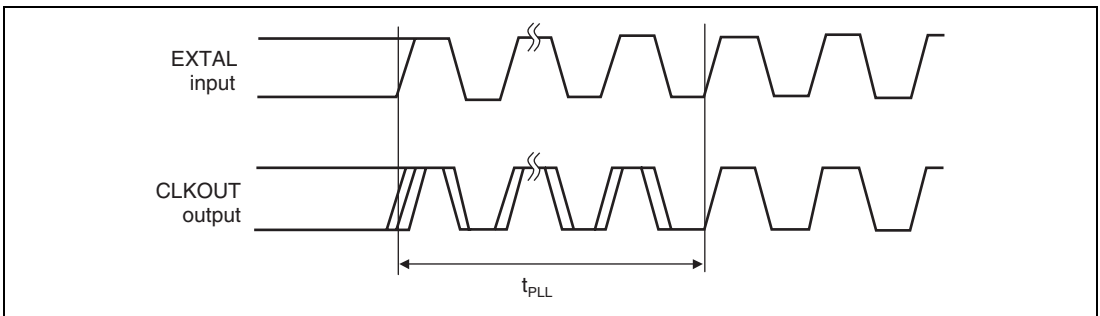


Figure 32.5 PLL Synchronization Settling Time

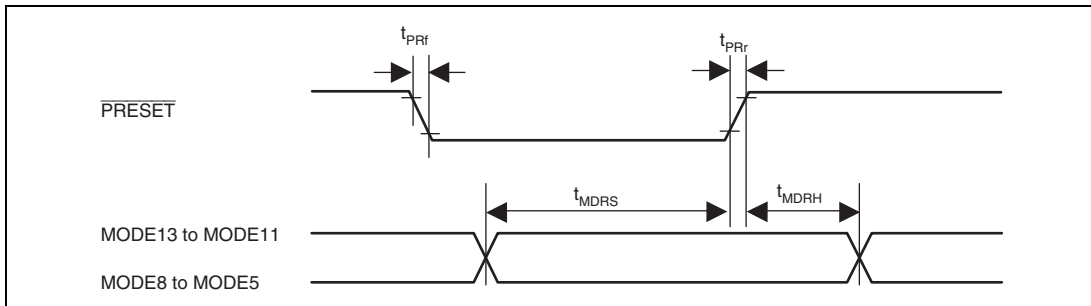


Figure 32.6 MODE Pin Setup/Hold Timing

32.3.2 Control Signal Timing

Table 32.7 Control Signal Timing

Conditions: $V_{DDQ} = 3.0$ to 3.6 V, $V_{DD} = 1.1$ V, $T_a = -20$ to $+85/-40$ to $+85^\circ\text{C}$, $C_L = 30$ pF

Item	Symbol	Min.	Max.	Unit	Figure
$\overline{\text{BREQ}}$ setup time*	t_{BREQS}	3	—	ns	32.7
$\overline{\text{BREQ}}$ hold time	t_{BREQH}	1.5	—	ns	
$\overline{\text{BREQ}}$ delay time	t_{BACKD}	—	6	ns	
Bus tri-state delay time	t_{BOFF1}	—	12	ns	
Bus buffer on time	t_{BON1}	—	12	ns	
STATUS0, STATUS1 delay time	t_{STD}	—	6	ns	32.8

Note: * t_{cyc} is the period of one CLKOUT cycle.

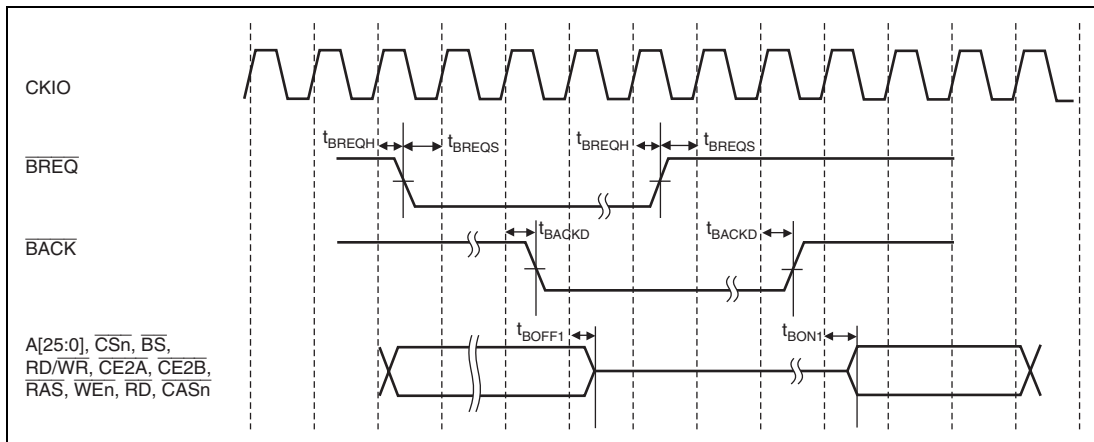


Figure 32.7 Control Signal Timing

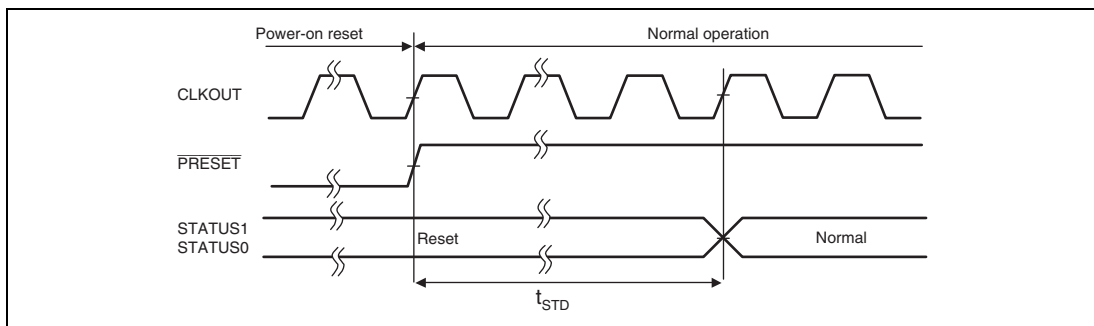


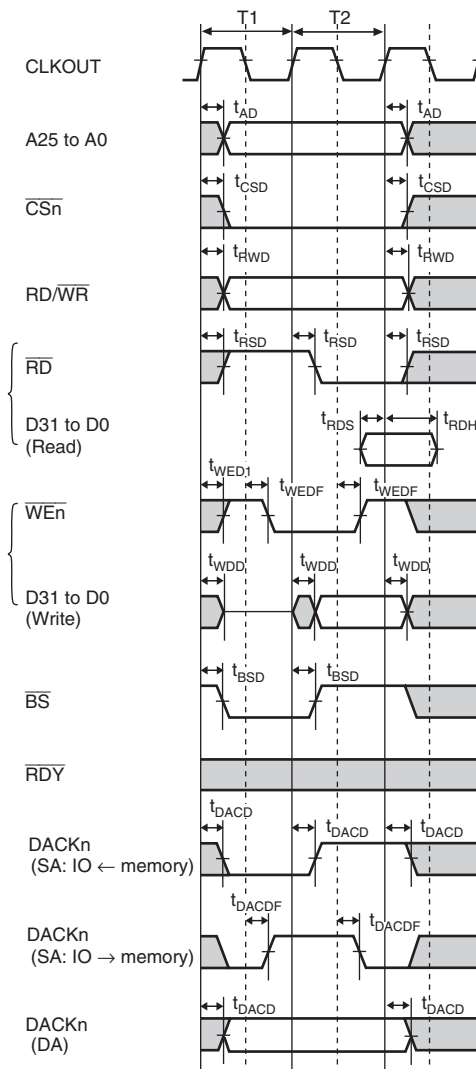
Figure 32.8 STATUS Pin Output Timing at Power-On Reset

32.3.3 Bus Timing

Table 32.8 Bus Timing

Conditions: $V_{DDQ} = 3.0$ to 3.6 V, $V_{DD} = 1.1$ V, $T_a = -20$ to $+85/-40$ to 85°C , $C_L = 30$ pF

Item	Symbol	Min.	Max.	Unit	Notes
Address delay time	t_{AD}	1.5	6	ns	
\overline{BS} delay time	t_{BSD}	1.5	6	ns	
\overline{CS} delay time	t_{CSD}	1.5	6	ns	
$\overline{R/\overline{W}}$ delay time	t_{RWD}	1.5	6	ns	
\overline{RD} delay time	t_{RSD}	1.5	6	ns	
Read data setup time	t_{RDS}	2.5	—	ns	
Read data hold time	t_{RDH}	1.5	—	ns	
\overline{WE} delay time (falling edge)	t_{WEDF}	1.5	6	ns	Relative to CLKOUT falling edge
\overline{WE} delay time	t_{WED1}	1.5	6	ns	
Write data delay time	t_{WDD}	1.5	6	ns	
\overline{RDY} setup time	t_{RDYS}	2.5	—	ns	
\overline{RDY} hold time	t_{RDYH}	1.5	—	ns	
\overline{FRAME} delay time	t_{FMD}	1.5	6	ns	MPX
$\overline{IOIS16}$ setup time	t_{IO16S}	2.5	—	ns	PCMCIA
$\overline{IOIS16}$ hold time	t_{IO16H}	1.5	—	ns	PCMCIA
\overline{IOWR} delay time (falling edge)	t_{ICWSDF}	1.5	6	ns	PCMCIA
\overline{IORD} delay time	t_{ICRSDF}	1.5	6	ns	PCMCIA
\overline{DACK} delay time	t_{DACD}	1.5	6	ns	
\overline{DACK} delay time (falling edge)	t_{DACDF}	1.5	6	ns	Relative to CLKOUT falling edge



Legend:

- IO: DACK device
- SA: Single-address DMA transfer
- DA: Dual-address DMA transfer

Note: DACK is configured as active-high.

Figure 32.9 SRAM Bus Cycle: Basic Bus Cycle (No Wait)

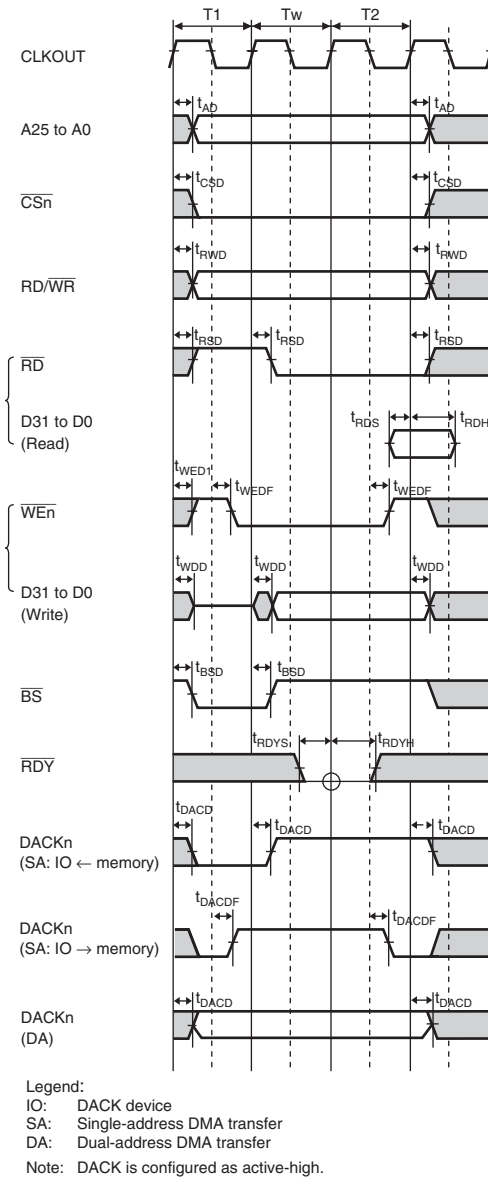
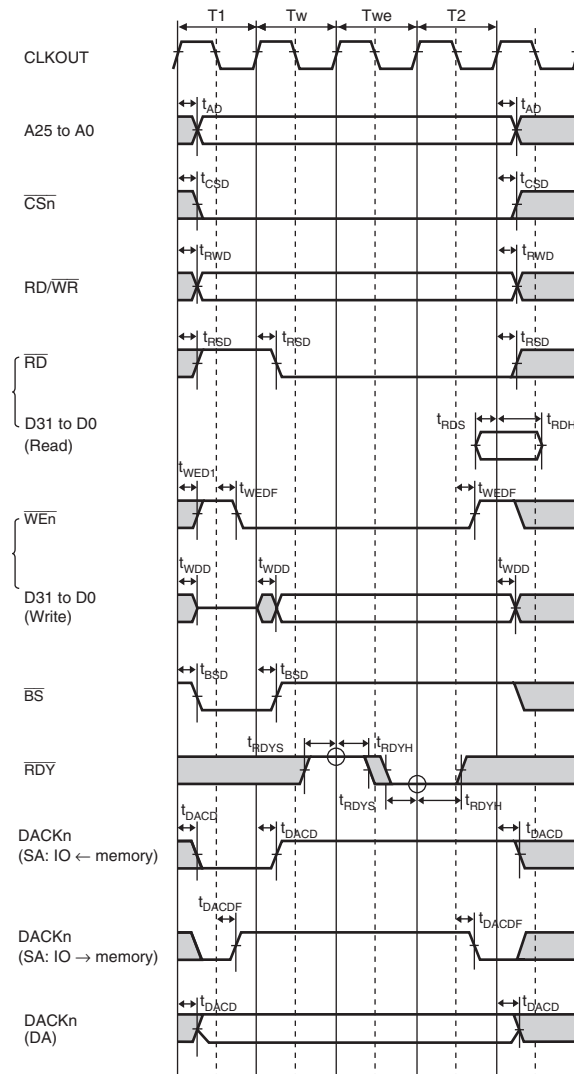


Figure 32.10 SRAM Bus Cycle: Basic Bus Cycle (One Internal Wait Cycle)

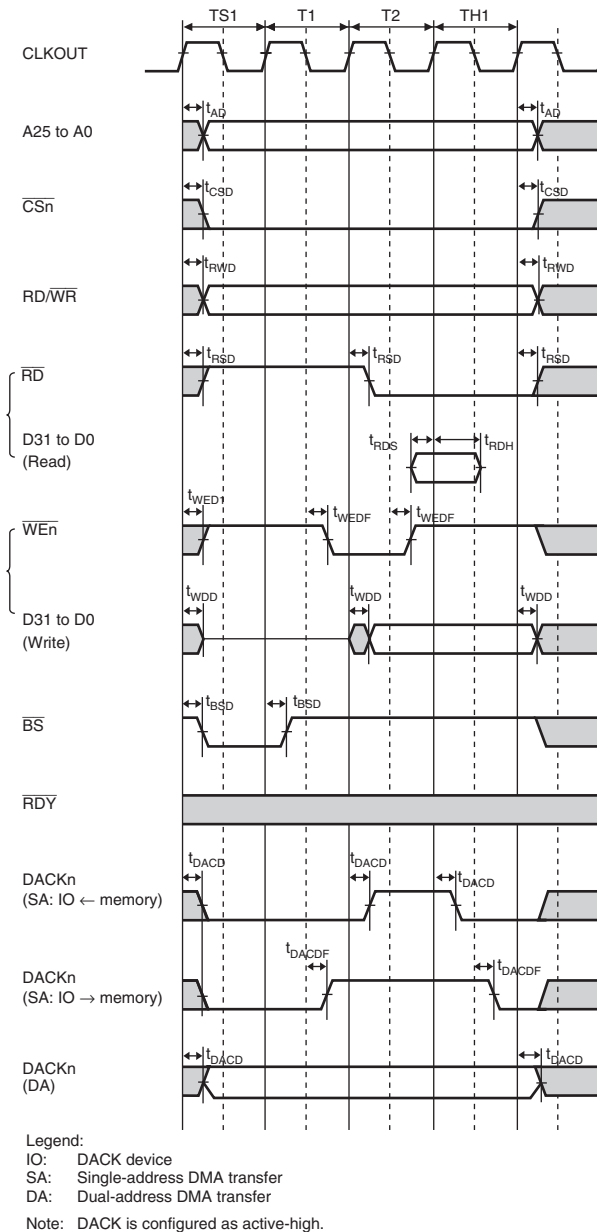


Legend:

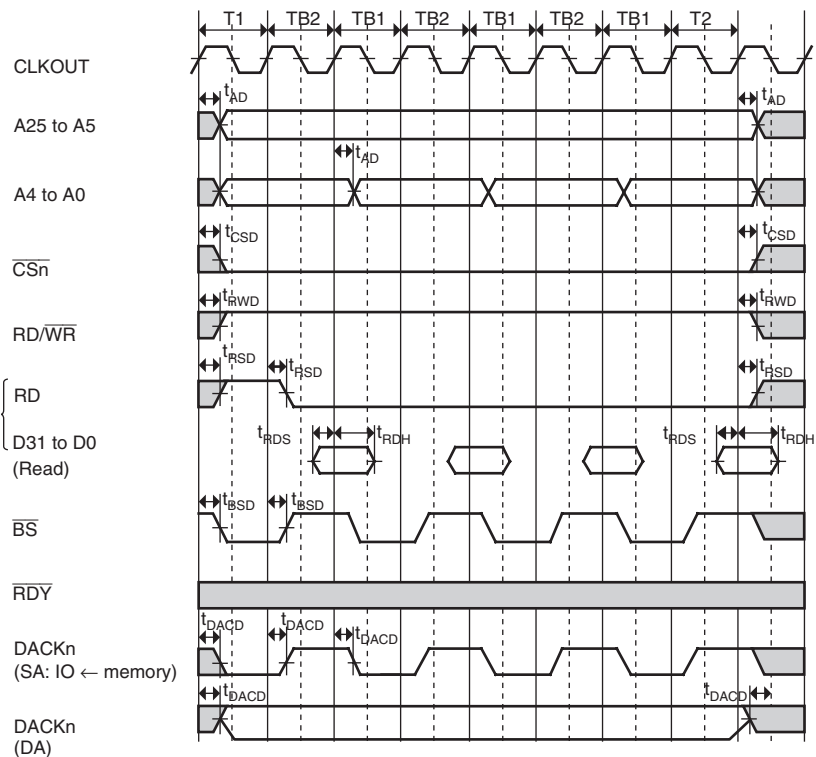
- IO: DACK device
- SA: Single-address DMA transfer
- DA: Dual-address DMA transfer

Note: DACK is configured as active-high.

**Figure 32.11 SRAM Bus Cycle: Basic Bus Cycle
(One Internal Wait Cycle + One External Wait Cycle)**



**Figure 32.12 SRAM Bus Cycle: Basic Bus Cycle ($CSnWCR.IW = 0000$,
 $CSnWCR.RDS = 001$, $CSnWCR.WTS = 001$, $CSnWCR.RDH = 001$, $CSnWCR.WTH = 001$)**



Legend:

IO: DACK device
 SA: Single-address DMA transfer
 DA: Dual-address DMA transfer

Note: DACK is configured as active-high.

Figure 32.13 Burst ROM Bus Cycle (No Wait)

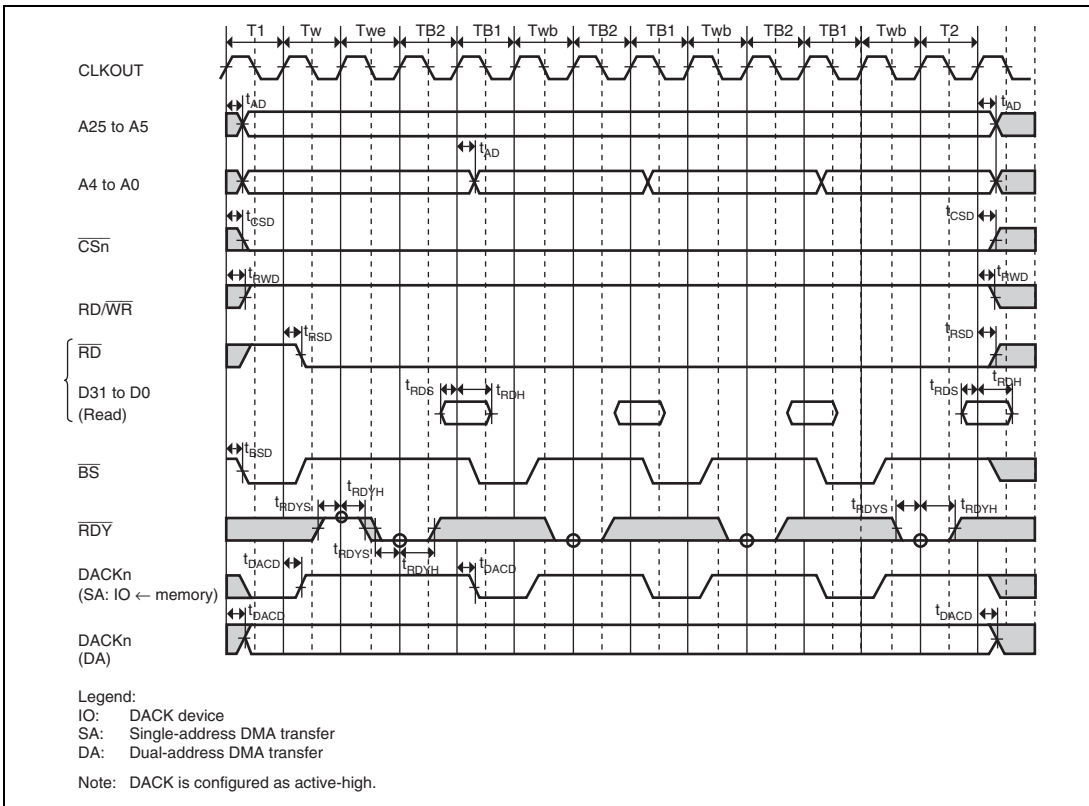


Figure 32.14 Burst ROM Bus Cycle (One Internal Wait Cycle + One External Wait Cycle for the 1st Datum; One Internal Wait Cycle for the 2nd, 3rd, and 4th Data)

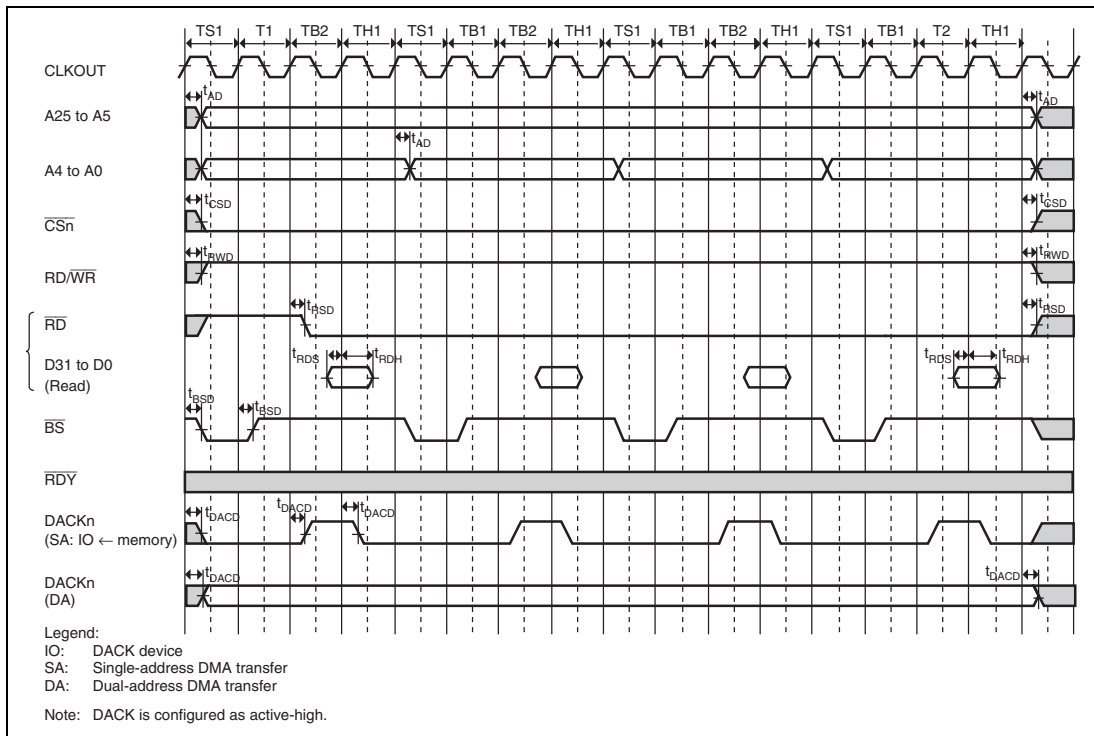


Figure 32.15 Burst ROM Bus Cycle (CSnWCR.IW = 0000, CSnWCR.RDS = 001, CSnWCR.WTS = 001, CSnWCR.RDH = 001, CSnWCR.WTH = 001)

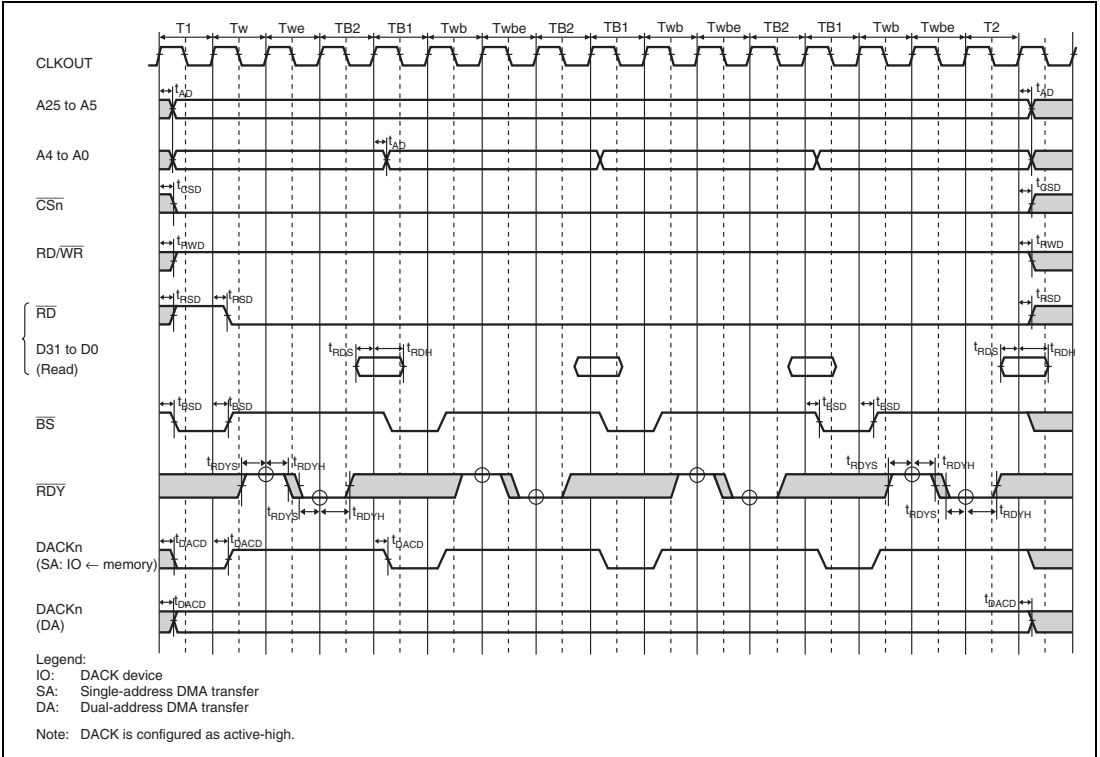


Figure 32.16 Burst ROM Bus Cycle (One Internal Wait Cycle + One External Wait Cycle)

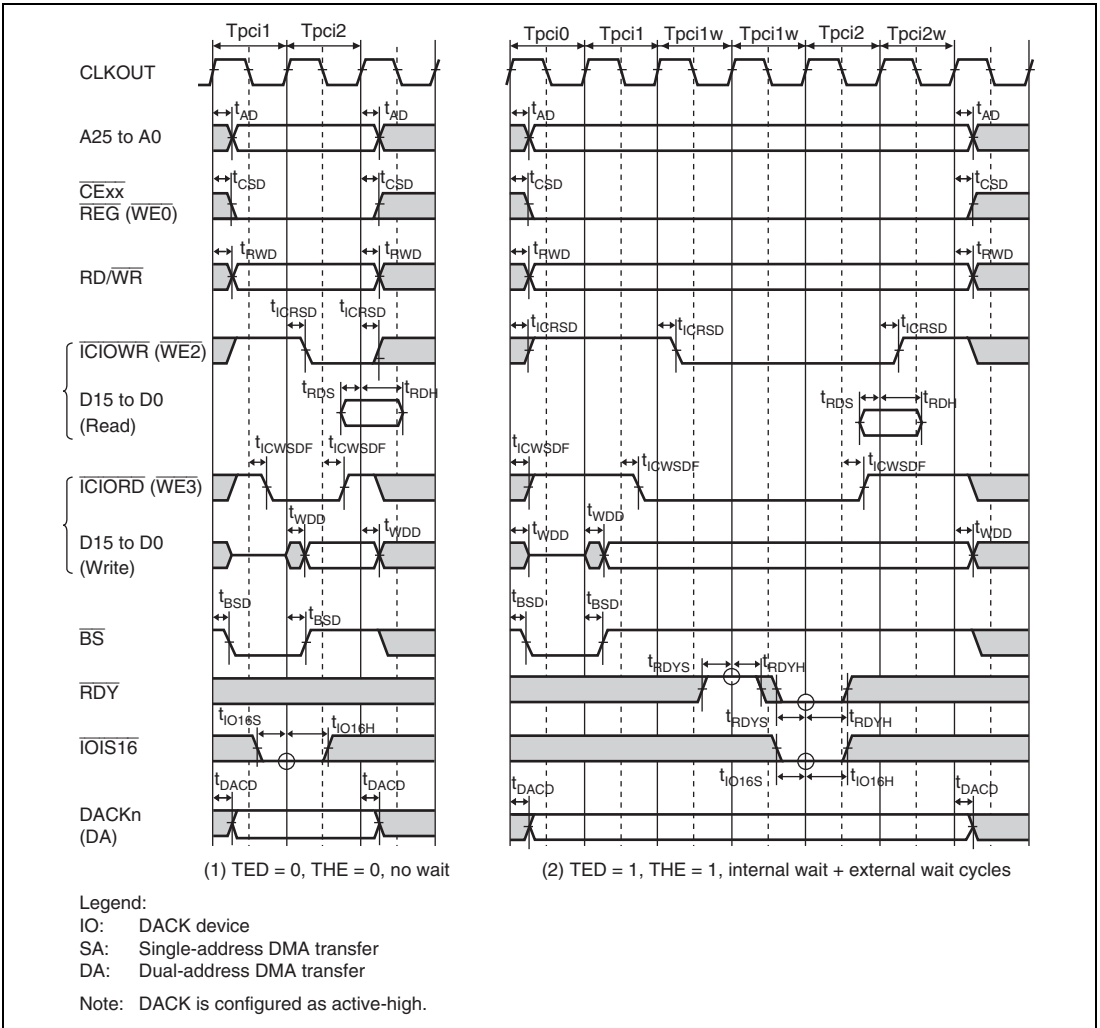


Figure 32.18 PCMCIA I/O Bus Cycle

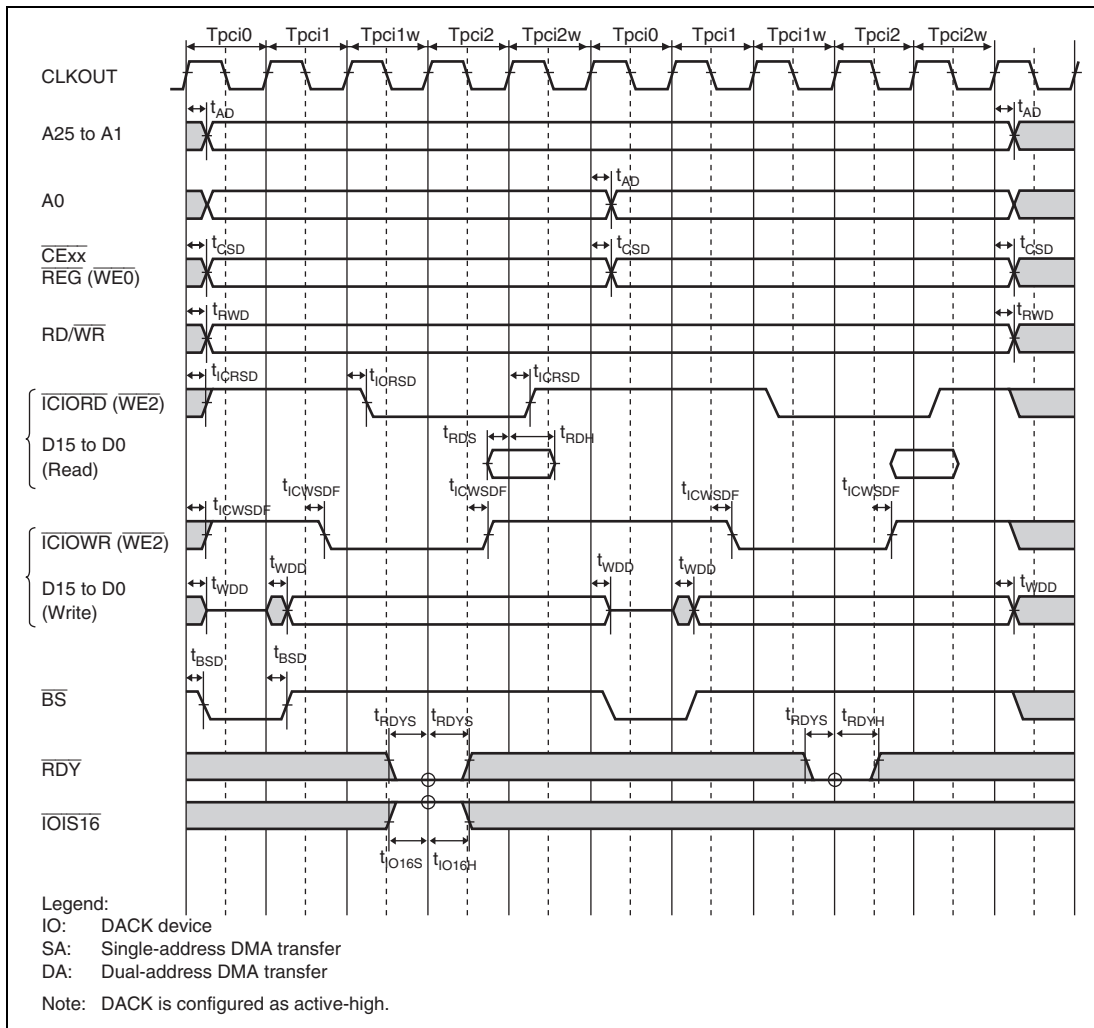
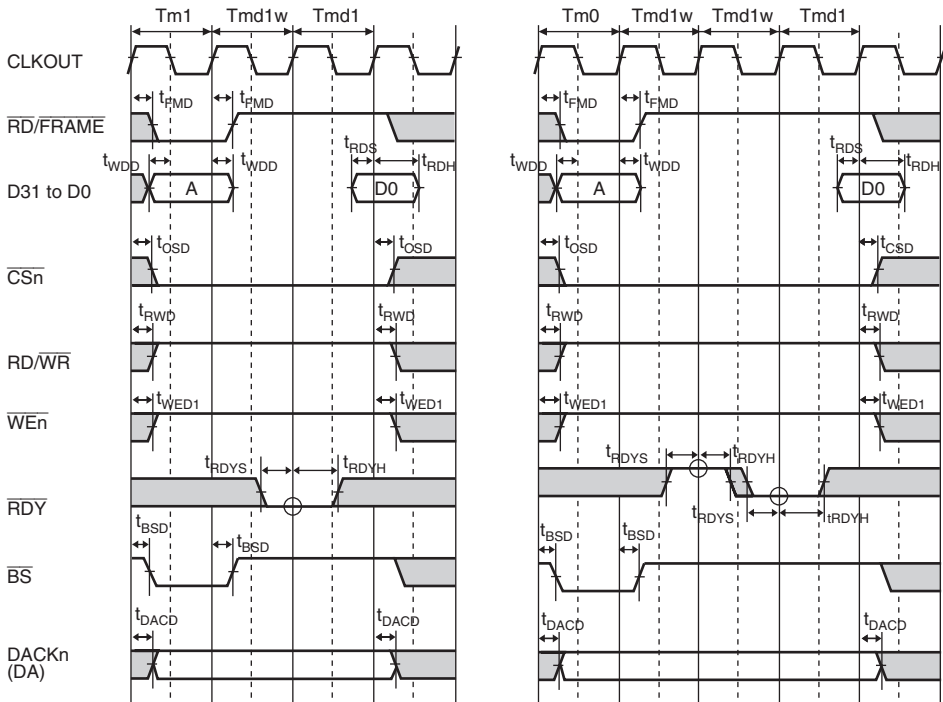


Figure 32.19 PCMCIA I/O Bus Cycle
(TED = 1, TEH = 1, One Internal Wait Cycle, with Bus Sizing)



- (1) 1st data: One internal wait cycle
 Information in the first data bus cycle
 D31 to D29: Access size
 000: Byte
 001: Word (2 bytes)
 010: Longword (4 bytes)
 011: Quadword (8 bytes)
 1xx: Burst (32 bytes)
 D25 to D0: Address

- (2) 1st data: One internal wait + one external wait cycles
 Information in the first data bus cycle
 D31 to D29: Access size
 000: Byte
 001: Word (2 bytes)
 010: Longword (4 bytes)
 011: Quadword (8 bytes)
 1xx: Burst (32 bytes)
 D25 to D0: Address

Legend:

- IO: DACK device
- SA: Single-address DMA transfer
- DA: Dual-address DMA transfer

Note: DACK is configured as active-high.

Figure 32.20 MPX Basic Bus Cycle (Read)

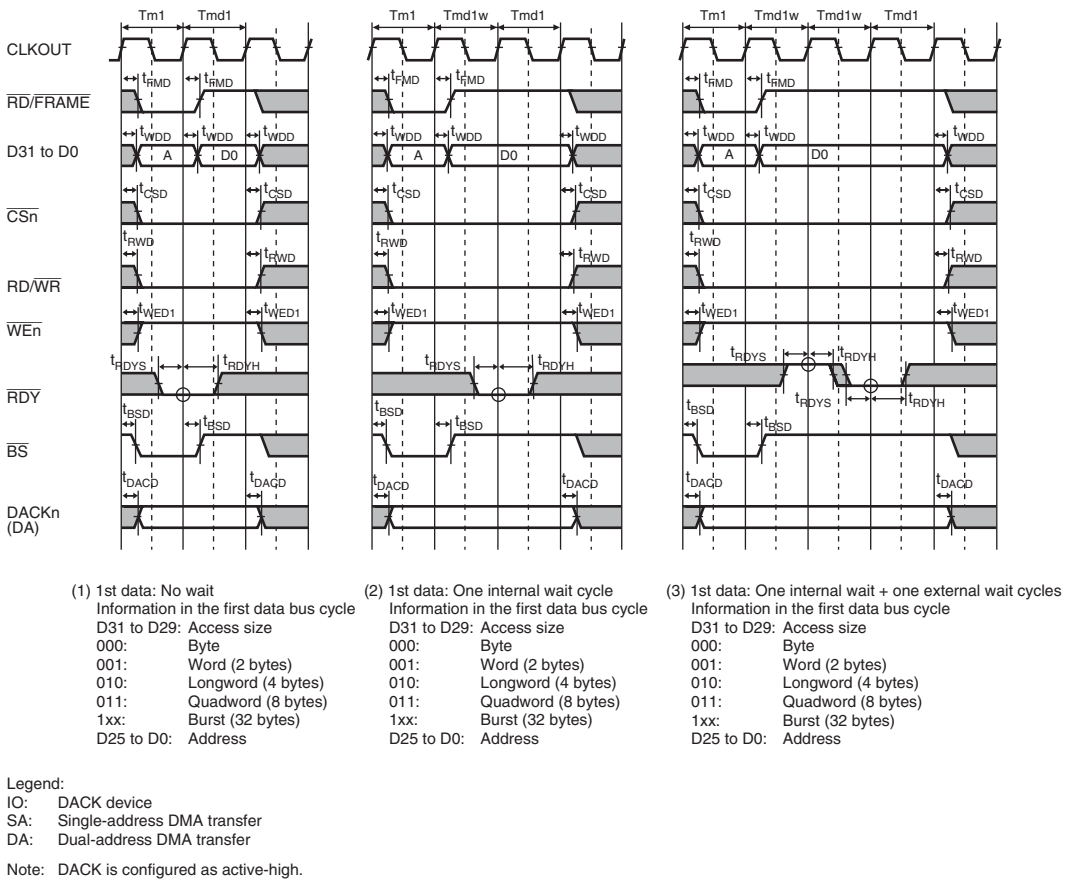
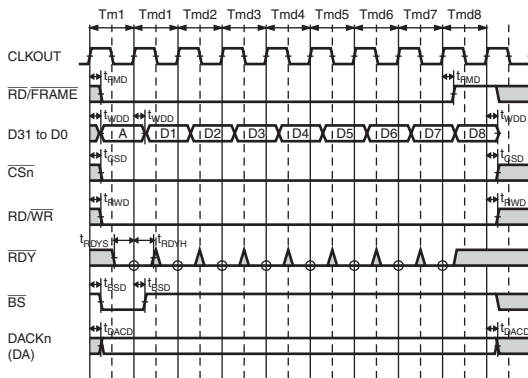


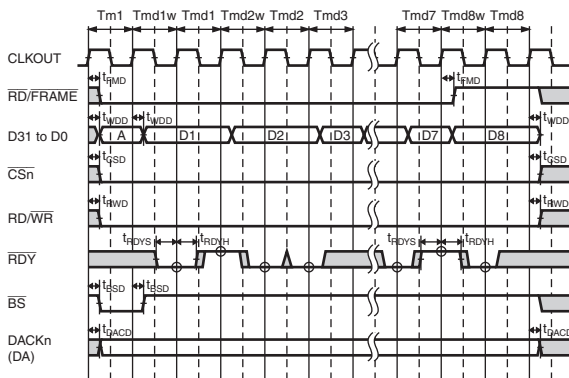
Figure 32.21 MPX Basic Bus Cycle (Write)



(1) No internal wait

Information in the first data bus cycle

D31 to D29: Access size
 000: Byte
 001: Word (2 bytes)
 010: Longword (4 bytes)
 011: Quadword (8 bytes)
 1xx: Burst (32 bytes)
 D25 to D0: Address



(2) 1st data: One internal wait cycle, 2nd to 8th data: No internal wait + external wait control

Information in the first data bus cycle

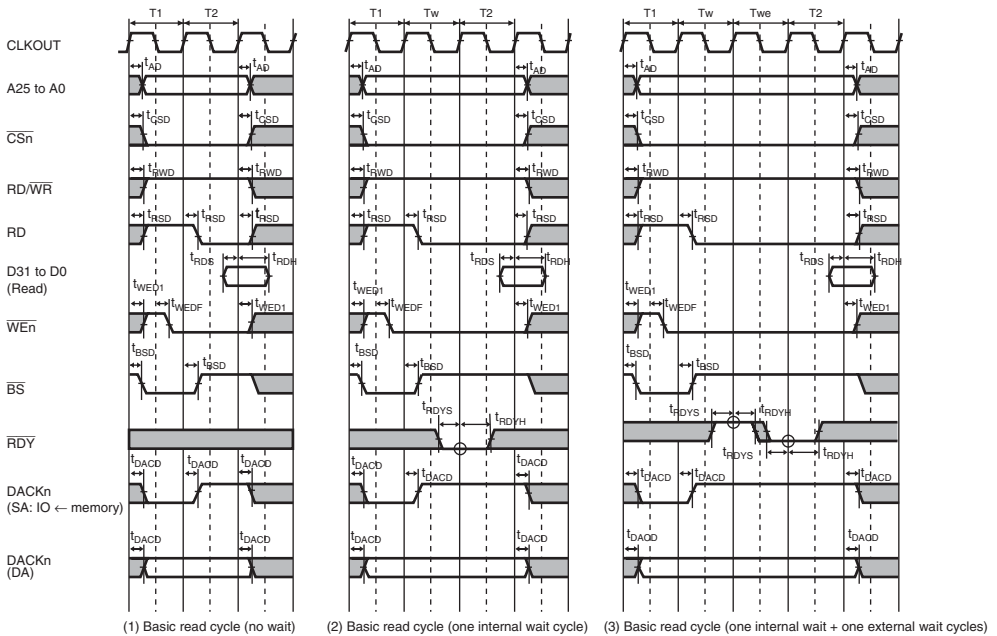
D31 to D29: Access size
 000: Byte
 001: Word (2 bytes)
 010: Longword (4 bytes)
 011: Quadword (8 bytes)
 1xx: Burst (32 bytes)
 D25 to D0: Address

Legend:

IO: DACK device
 SA: Single-address DMA transfer
 DA: Dual-address DMA transfer

Note: DACK is configured as active-high.

Figure 32.23 MPX Bus Cycle (Burst Write)



Legend:
 IO: DACK device
 SA: Single-address DMA transfer
 DA: Dual-address DMA transfer
 Note: DACK is configured as active-high.

Figure 32.24 Memory Byte Control SRAM Bus Cycle

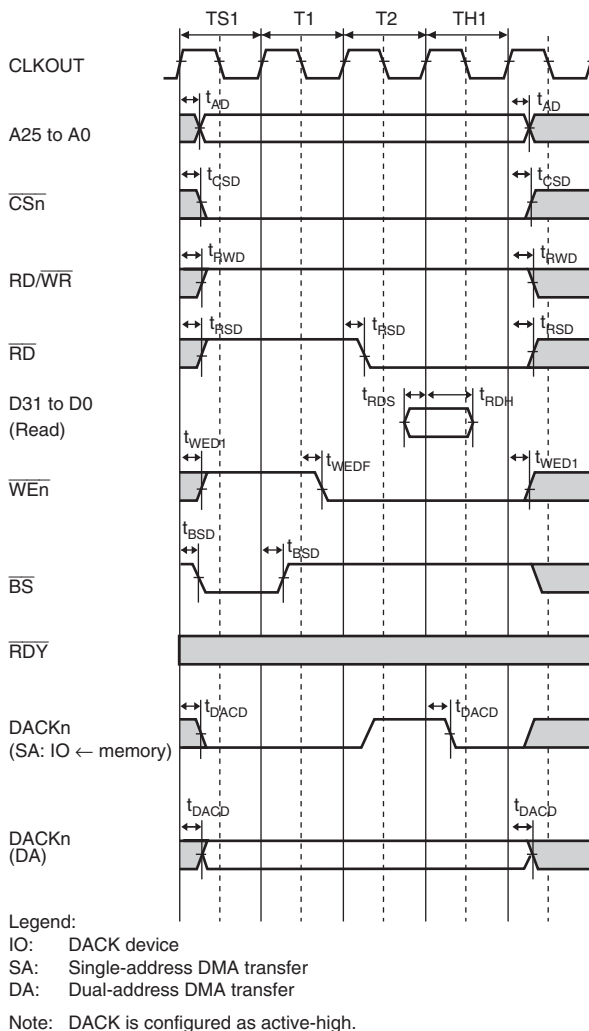


Figure 32.25 Memory Byte Control SRAM Bus Cycle: Basic Read Cycle
 (CSnWCR.IW = 0000, CSnWCR.RDS = 001, CSnWCR.WTS = 001, CSnWCR.RDH = 001,
 CSnWCR.WTH = 001)

32.3.4 DBSC2 Signal Timing

Table 32.9 DBSC2 Signal Timing

Conditions: $V_{DD-DDR} = 1.7$ to 1.9 V, $V_{ref} = 0.9$ V, $V_{DD} = 1.1$ V, $T_a = -20$ to $+85/-40$ to 85°C ,
 $C_L = 30$ pF, ODT=on), Drive Strength=Normal

Item	Symbol	Min.	Max.	Unit	Figure	Notes
MCK output cycle	t_{CK}	3.33	5.0	ns		
MCK output high-level pulse width	t_{CH}	0.45	0.55	t_{MCK}		
MCK output low-level pulse width	t_{CL}	0.45	0.55	t_{MCK}		
Address and control signal setup time to MCK rising edge	t_{IS}	880	—	ps		DDR2-600
		1290				DDR2-400
Address and control signal hold time to MCK rising edge	t_{IH}	880	—	ps		DDR2-600
		1290				DDR2-400
Address and control signal width	t_{IPW}	0.6	—	t_{MCK}		
MCLK-to-MDQS skew time (Read)	$t_{RDQSDLY}$	-0.2	1.4	ns		
MDQS high-level pulse width (Read)	t_{RDQSH}	0.35	0.65	t_{MCK}		
MDQS low-level pulse width (Read)	t_{RDQSL}	0.35	0.65	t_{MCK}		
MDQS preamble (Read)	t_{RPRE}	0.9	1.1	t_{MCK}		
MDQS postamble (Read)	t_{RPST}	0.4	0.6	t_{MCK}		
MDQS-to-MDQ skew time (Read)	t_{RDQSQ}	-390	390	ps		DDR2-600
		-590	590			DDR2-400
MDQ signal hold time to DQS (Read)	t_{RQH}	$0.45 \times t_{MCK}$	—	ps		DDR2-600
		-470				DDR2-400
		$0.45 \times t_{MCK}$	—			DDR2-400
		-630				

Item	Symbol	Min.	Max.	Unit	Figure	Notes
Write command to first MDQS delay time (Rising edge)	t_{WDQSS}	WL	WL +0.18	t_{MCK}		
MDQS falling edge setup time to MCK rising edge (Write)	t_{WDSS}	0.27	—	t_{MCK}		
MDQS falling edge hold time to MCK rising edge (Write)	t_{WDSH}	0.27	—	t_{MCK}		
MDQS high-level pulse width (Write)	t_{WDQSH}	0.35	0.9	t_{MCK}		
MDQS low-level pulse width (Write)	t_{WDQSL}	0.35	0.9	t_{MCK}		
MDQS preamble (Write)	t_{WPRE}	0.35	—	t_{MCK}		
MDQS postamble (write)	t_{WPST}	0.4	—	t_{MCK}		
MDQ/MDM setup time to MDQS (Write)	t_{WDS}	430	—	ps		DDR2-600
		630	—			DDR2-400
MDQ/MDM hold time to MDQS (Write)	t_{WDH}	430	—	ps		DDR2-600
		630	—			DDR2-400
MDQ/MDM signal width (Write)	t_{WDIPW}	0.35	—	t_{MCK}		
MDQ high-impedance time from MDQS (Write)	t_{HZ}	t_{WDH}	t_{MCK}	ns		

Note: t_{MCK} : one MCK cycle time

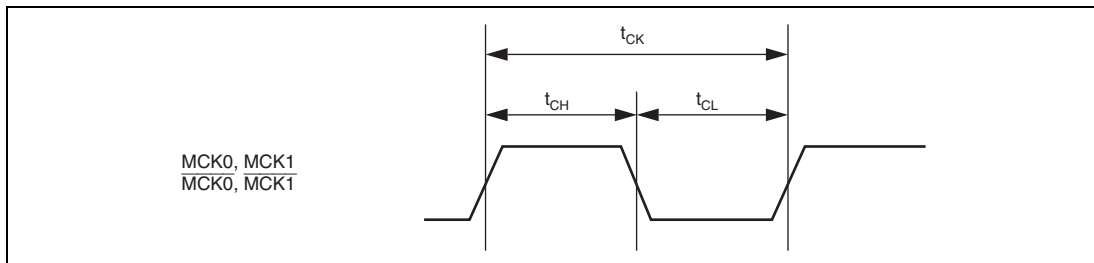


Figure 32.26 MCK Output Clock

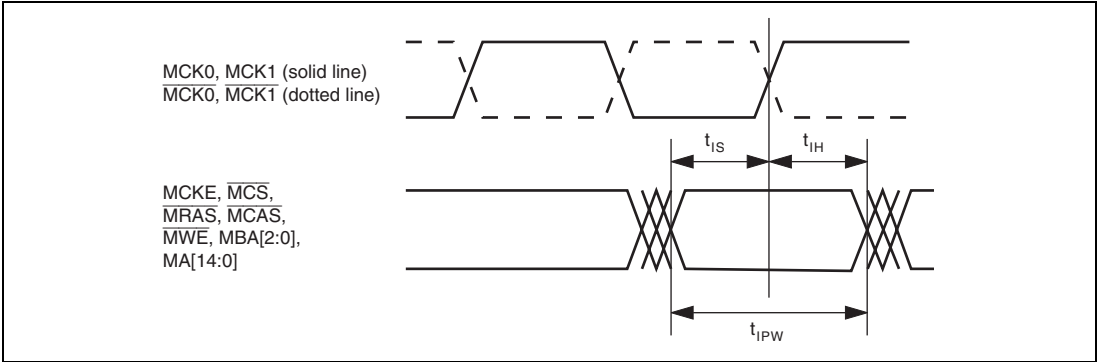


Figure 32.27 Command Signal and MCK Output Clock

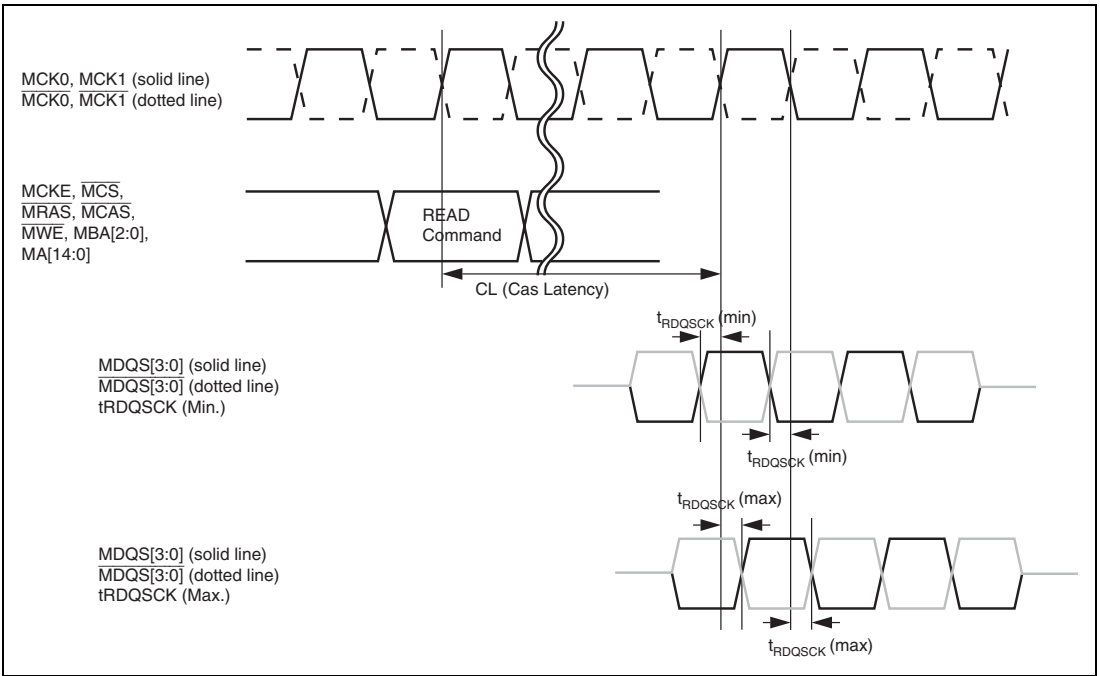


Figure 32.28 MDQS Input Timing at Data Read

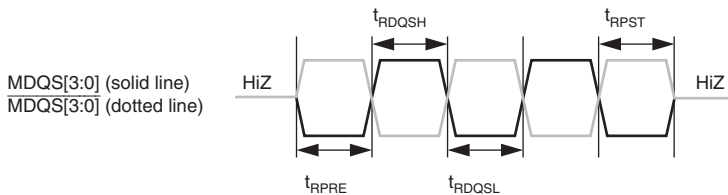


Figure 32.29 Restriction of MDQS Input Waveform (Read)

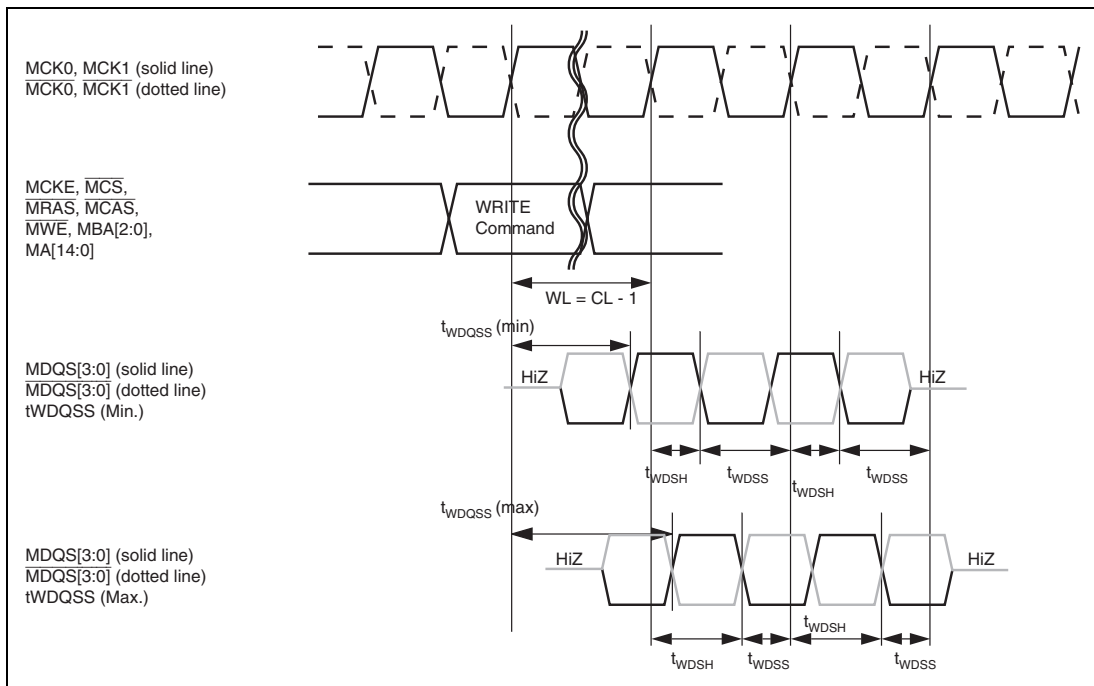


Figure 32.30 MDQS Output Waveform to MCK (Write)

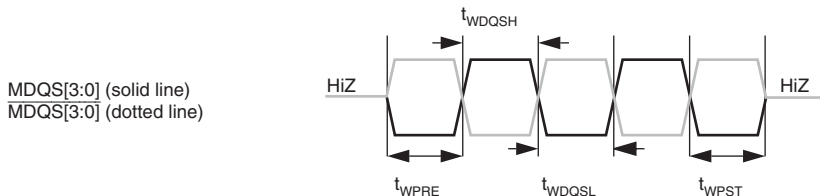


Figure 32.31 MDQS Output Waveform (Write)

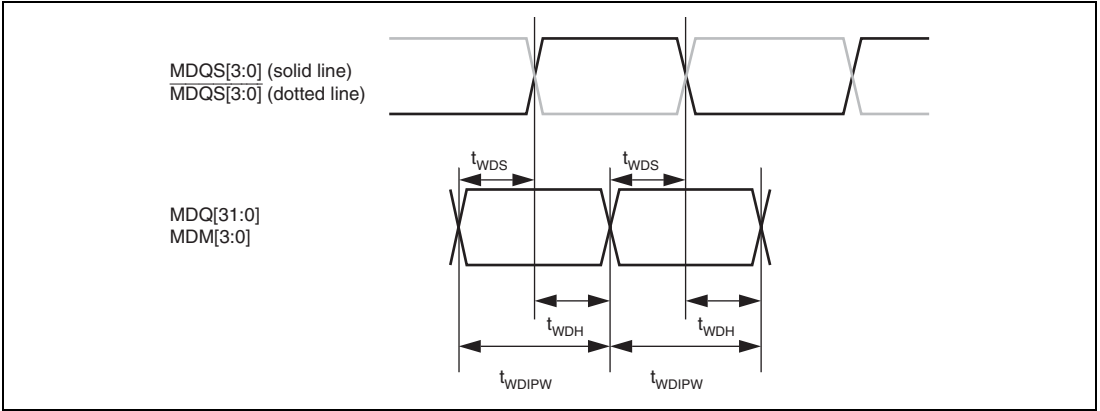


Figure 32.32 MDQS and MDQ/MDM Output Waveform (Write)

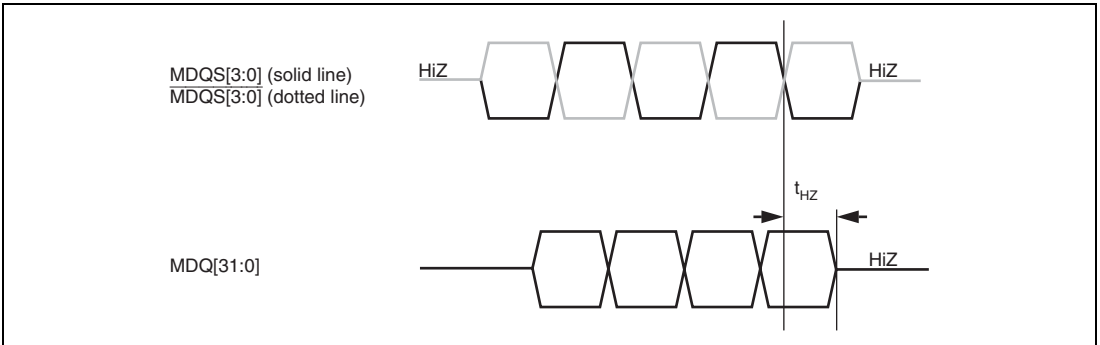


Figure 32.33 MDQ High-Impedance Time from MDQS (Write)

32.3.5 INTC Module Signal Timing

Table 32.10 INTC Module Signal Timing

Conditions: $V_{DDQ} = 3.0$ to 3.6 V, $V_{DD} = 1.1$ V, $T_a = -40$ to 85°C , $C_L = 30$ pF, PLL2 on

Item	Symbol	Min.	Typ.	Max.	Unit	Figure
NMI setup time	t_{NMIS}	4	—	—	ns	32.34
NMI hold time	t_{NMIH}	1.5	—	—	ns	32.34
NMI pulse width (high level)	t_{NMIS}	5	—	—	t_{cyc}^*	32.35
NMI pulse width (low level)	t_{NMIH}	5	—	—	t_{cyc}^*	32.35
Edge-sense IRQ pulse width (high level)	t_{IRQIH}	5	—	—	t_{cyc}^*	32.35
Edge-sense IRQ pulse width (low level)	t_{IRQIL}	5	—	—	t_{cyc}^*	32.35
$\overline{IRL7}$ to $\overline{IRL0}$ setup time	t_{IRLS}	4	—	—	ns	32.34
$\overline{IRL7}$ to $\overline{IRL0}$ hold time	t_{IRLH}	1.5	—	—	ns	32.34
\overline{IRQOUT} delay time	t_{TRQOD}	1.5	—	6	ns	32.36

Note: * t_{cyc} is the period of one CLKOUT cycle.

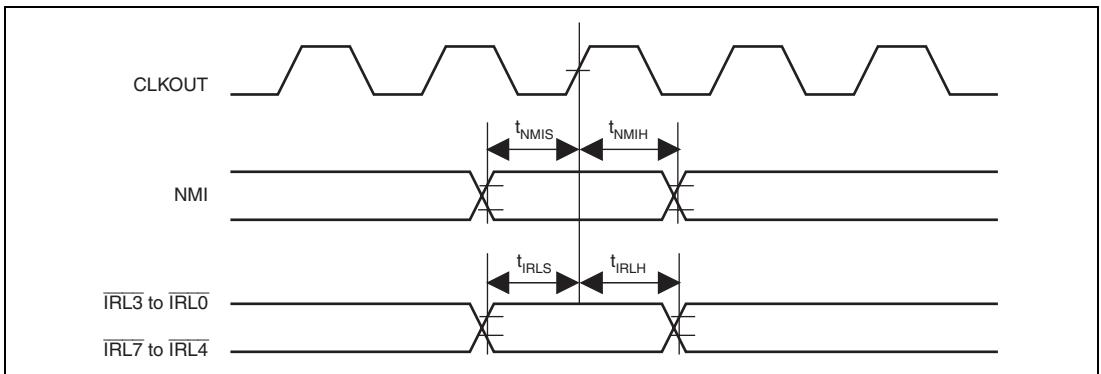


Figure 32.34 Interrupt Signal Input Timing (1)

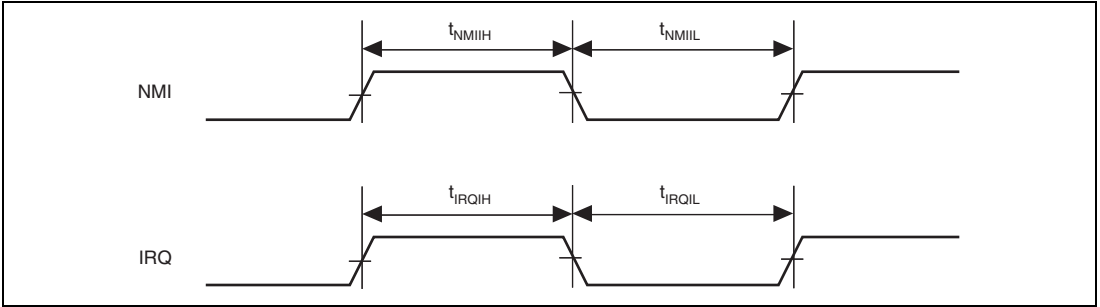


Figure 32.35 Interrupt Signal Input Timing (2)

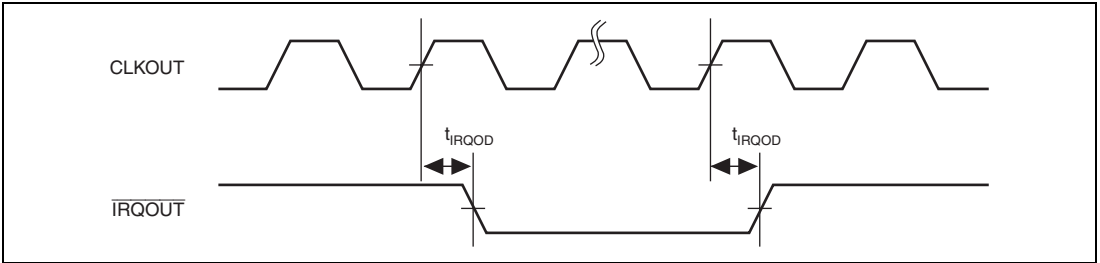


Figure 32.36 $\overline{\text{IRQOUT}}$ Timing

32.3.6 PCIC Module Signal Timing

Table 32.11 PCIC Signal Timing (in PCIREQ/PCIGNT Non-Port Mode) (1)

 Conditions: $V_{DDQ} = 3.0$ to 3.6 V, $V_{DD} = 1.1$ V, $T_a = -40$ to 85°C , $C_L = 30$ pF

Pin	Item	Symbol	33 MHz		66 MHz		Unit	Figure
			Min.	Max.	Min.	Max.		
PCICLK	Clock period	t_{PCICYC}	30	—	15	30	ns	32.37
	Clock pulse width (high)	$t_{PCIHIGH}$	11	—	6	—		
	Clock pulse width (low)	t_{PCILr}	11	—	6	—		
	Clock rise time	t_{PCIF}	—	4	—	1.5		
	Clock fall time	t_{NCDAD1}	—	4	—	1.5		
$\overline{\text{PCIRESET}}$	Output data delay time	t_{PCIVAL}	—	10	—	10	ns	32.38
IDSEL	Input setup time	t_{PCISU}	3	—	3	—	ns	32.39
	Input hold time	t_{PCIH}	1.5	—	1.5	—		
AD31 to AD0, C/BE3 to C/BE0, PCIFRAME, PAR, $\overline{\text{IRDY}}$, $\overline{\text{TRDY}}$, $\overline{\text{STOP}}$, $\overline{\text{LOCK}}$, $\overline{\text{PERR}}$, $\overline{\text{DEVSEL}}$,	Output data delay time	t_{PCIVAL}	2	10	2	6	ns	32.38
	Tri-state drive delay time	t_{PCION}	2	10	2	6		
	Tri-state Hi-Z delay time	t_{PCIOFF}	2	12	2	6		
	Input setup time	t_{PCISU}	3	—	3	—		32.39
	Input hold time	t_{PCIH}	1.5	—	1.5	—		
$\overline{\text{REQ0/REQOUT}}$, $\overline{\text{GNT0/GNTIN}}$ $\overline{\text{REQ1}}$, $\overline{\text{REQ2}}$, $\overline{\text{REQ3}}$, $\overline{\text{GNT1}}$, $\overline{\text{GNT2}}$, $\overline{\text{GNT3}}$	Output data delay time	t_{PCIVAL}	2	10	2	6	ns	32.38
	Input setup time	t_{PCISU}	3	—	3	—		32.39
	Input hold time	t_{PCIH}	1.5	—	1.5	—		
$\overline{\text{SERR}}$, $\overline{\text{INTA}}$, $\overline{\text{INTB}}$, $\overline{\text{INTC}}$, $\overline{\text{INTD}}$	Tri-state drive delay time	t_{PCION}	—	10	—	10	ns	32.38
	Tri-state Hi-Z delay time	t_{PCIOFF}	—	12	—	12		
	Input setup time	t_{PCISU}	3	—	3	—		32.39
	Input hold time	t_{PCIH}	1.5	—	1.5	—		

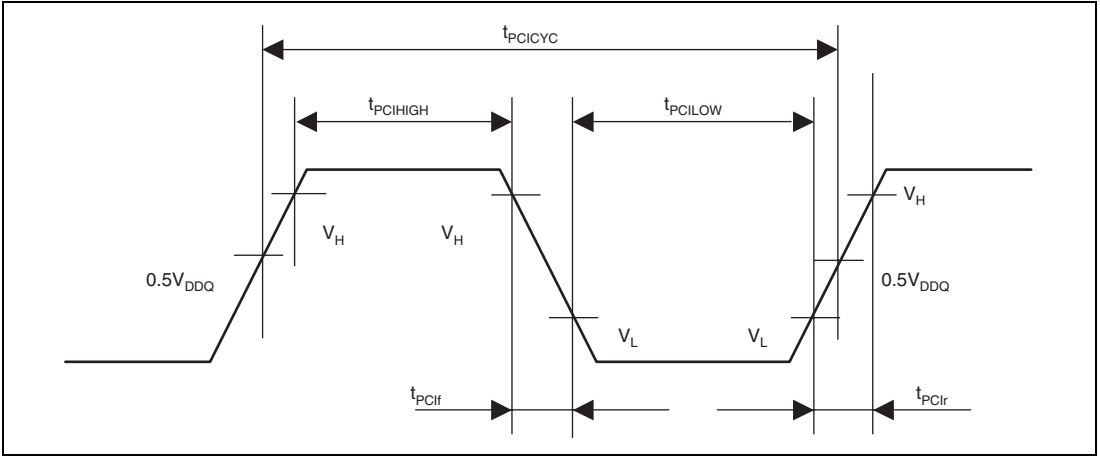


Figure 32.37 PCI Clock Input Timing

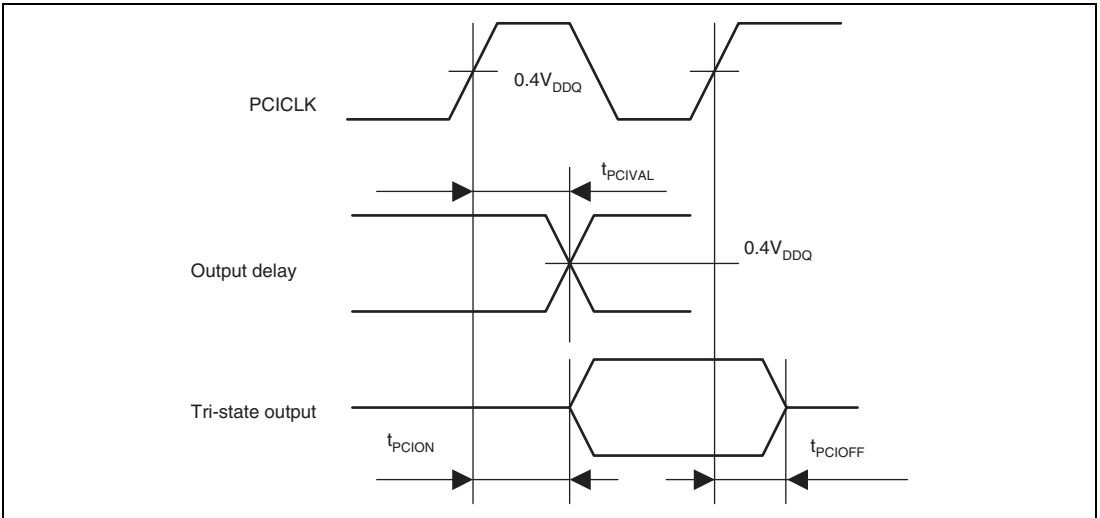


Figure 32.38 PCI Output Signal Timing

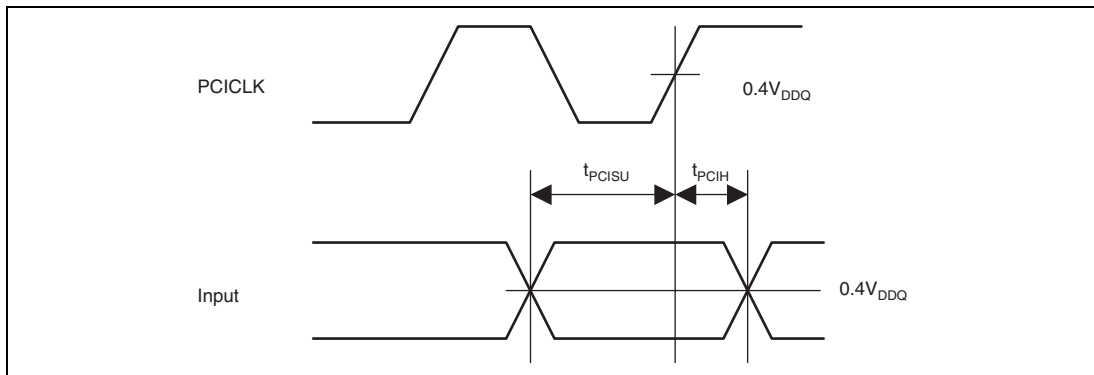


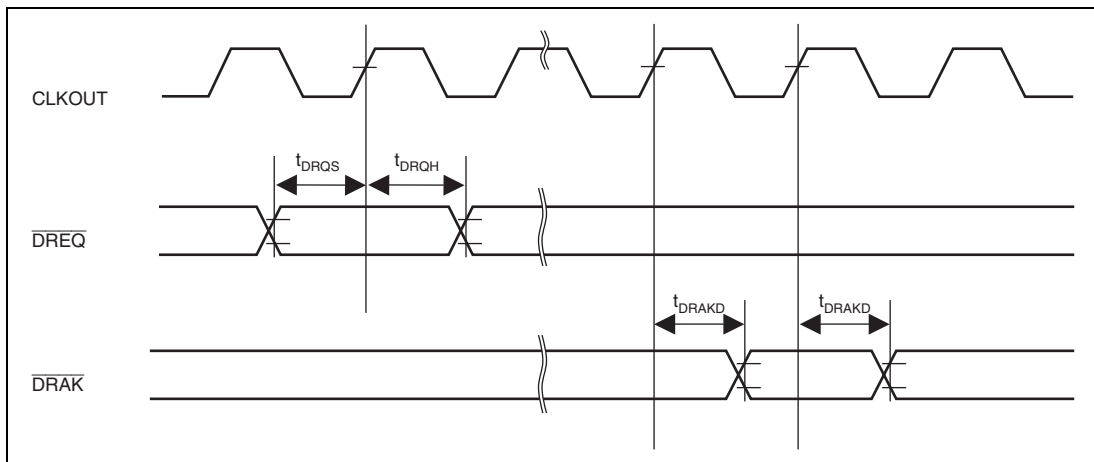
Figure 32.39 PCI Input Signal Timing

32.3.7 DMAC Module Signal Timing

Table 32.12 DMAC Module Signal Timing

Conditions: $V_{DDQ} = 3.0$ to 3.6 V, $V_{DD} = 1.5$ V, $T_a = -40$ to 85°C , $C_L = 30$ pF, PLL2 on

Module	Item	Symbol	Min.	Max.	Unit	Figure	Remarks
DMAC	$\overline{\text{DREQ}}$ setup time	t_{DRQS}	2.5	—	ns	32.40	
	$\overline{\text{DREQ}}$ hold time	t_{DRQH}	1.5	—			
	$\overline{\text{DRAK}}$ delay time	t_{DRAKD}	1.5	6			
	$\overline{\text{DACK}}$ delay time	t_{DAKD}	1.5	6			

Figure 32.40 $\overline{\text{DREQ}}/\overline{\text{DRAK}}$ Signal Timing

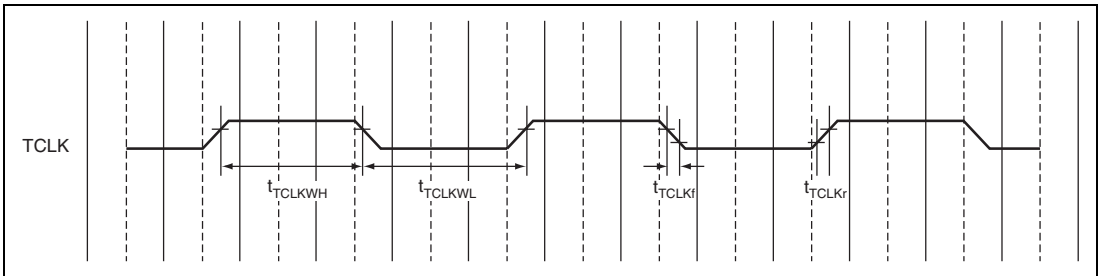
32.3.8 TMU Module Signal Timing

Table 32.13 TMU Module Signal Timing

Conditions: $V_{DDQ} = 3.0$ to 3.6 V, $V_{DD} = 1.1$ V, $T_a = -40$ to 85°C , $C_L = 30$ pF, PLL2 on

Module	Item	Symbol	Min.	Max.	Unit	Figure	Remarks
TMU	Timer clock pulse width (high)	t_{TCLKWH}	4	—	t_{Pcyc}	32.41	
	Timer clock pulse width (low)	t_{TCLKWL}	4	—			
	Timer clock rise time	t_{TCLKr}	—	0.8			
	Timer clock fall time	t_{TCLKf}	—	0.8			

Note: t_{Pcyc} is the period of one peripheral clock (Pck) cycle.


Figure 32.41 TCLK Input Timing

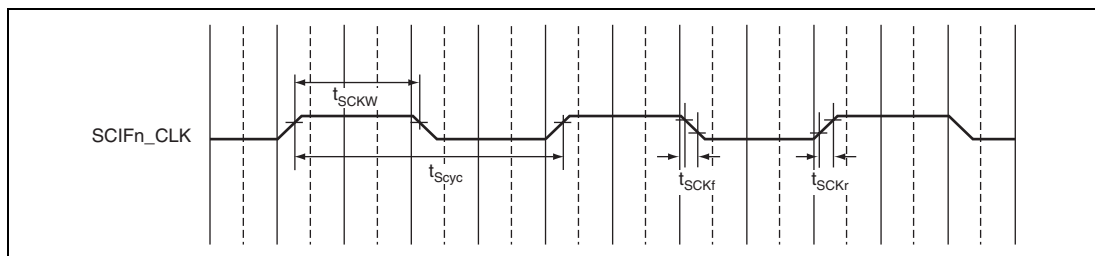
32.3.9 SCIF Module Signal Timing

Table 32.14 SCIF Module Signal Timing

Conditions: $V_{DDQ} = 3.0$ to 3.6 V, $V_{DD} = 1.1$ V, $T_a = -40$ to 85°C , $C_L = 30$ pF, PLL2 on

Module	Item	Symbol	Min.	Max.	Unit	Figure
SCIFn	Input clock cycle (asynchronous)	t_{Scyc}	4	—	t_{Pcyc}	32.42
	Input clock cycle (clock synchronous)		10	—	t_{Pcyc}	
	Input clock pulse width	t_{SCKW}	0.4	0.6	t_{Scyc}	
	Input clock rise time	t_{SCKr}	—	0.8	t_{Pcyc}	
	Input clock fall time	t_{SCKf}	—	0.8	t_{Pcyc}	
	Transfer data delay time	t_{TXD}	—	6	t_{Pcyc}	32.43
	Receive data setup time (clock synchronous)	t_{RXS}	16	—	ns	
	Receive data hold time (clock synchronous)	t_{RXH}	16	—	ns	

Note: t_{pcyc} means one cycle time of the peripheral clock (Pck).


Figure 32.42 SCIFn_CLK Input Clock Timing

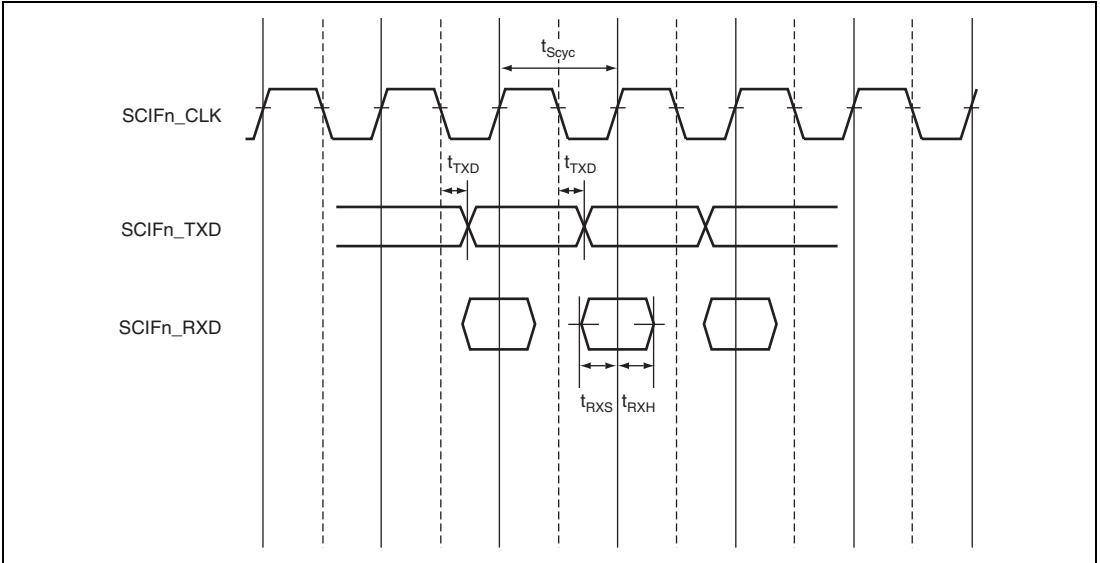


Figure 32.43 Clock Timing in SCIF I/O Synchronous Mode

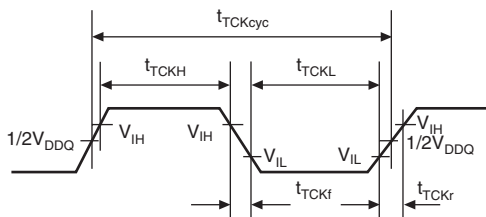
32.3.10 H-UDI Module Signal Timing

Table 32.15 H-UDI Module Signal Timing

 Conditions: $V_{DDQ} = 3.0$ to 3.6 V, $V_{DD} = 1.1$ V, $T_a = -40$ to 85°C , $C_L = 30$ pF, PLL2 on

Item	Symbol	Min.	Max.	Unit	Figure	Remarks
Input clock cycle	t_{TCKcyc}	50	—	ns	32.44, 32.46	
Input clock pulse width (high)	t_{TCKH}	15	—	ns	32.44	
Input clock pulse width (low)	t_{TCKL}	15	—	ns		
Input clock rise time	t_{TCKr}	—	10	ns		
Input clock fall time	t_{TCKf}	—	10	ns		
$\overline{\text{ASEBRK}}$ setup time	t_{ASEBRKS}	10	—	t_{cyc}	32.45	
$\overline{\text{ASEBRK}}$ hold time	t_{ASEBRKH}	1	—	ms		
TDI/TMS setup time	t_{TDIS}	15	—	ns	32.46	
TDI/TMS hold time	t_{TDIH}	15	—	ns		
TDO data delay time	t_{TDO}	0	12	ns		
ASE-PINBRK pulse width	t_{PINBRK}	2	—	t_{Pcyc}	32.47	

- Notes:
1. During a boundary scan, t_{TCKcyc} is the period corresponding to a frequency of 10 MHz, i.e. 0.1 μs .
 2. t_{cyc} is the period of one CKIO clock cycle.
 3. t_{Pcyc} is the period of one peripheral clock (Pck) cycle.



Note: When the clock is input from the TCK pin.

Figure 32.44 TCK Input Timing

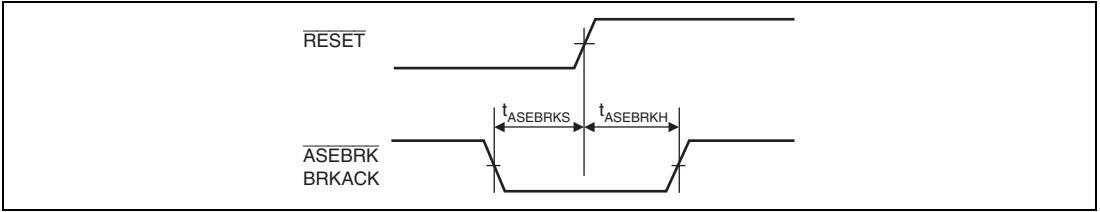


Figure 32.45 RESET Hold Timing

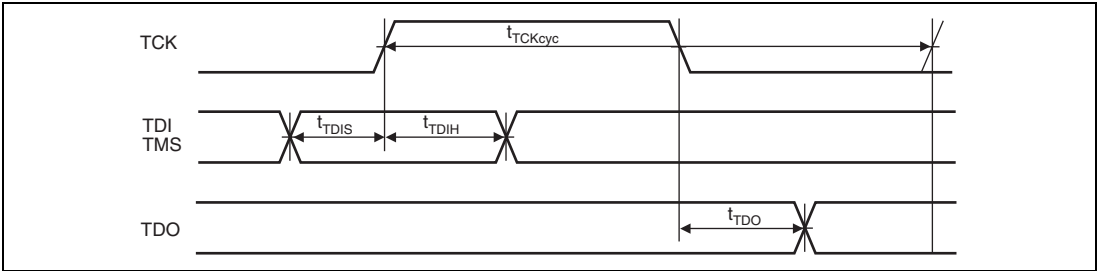


Figure 32.46 H-UDI Data Transfer Timing

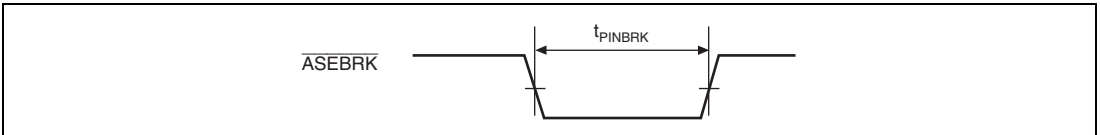


Figure 32.47 Pin Break Timing

32.3.11 GPIO Signal Timing

Table 32.16 GPIO Signal Timing

Item	Symbol	Min.	Max.	Unit	Figure
GPIO output delay time	t_{IOPD}	—	8	ns	32.48
GPIO input setup time	t_{IOPS}	3.5	—	ns	
GPIO input hold time	t_{IOPH}	1.5	—	ns	

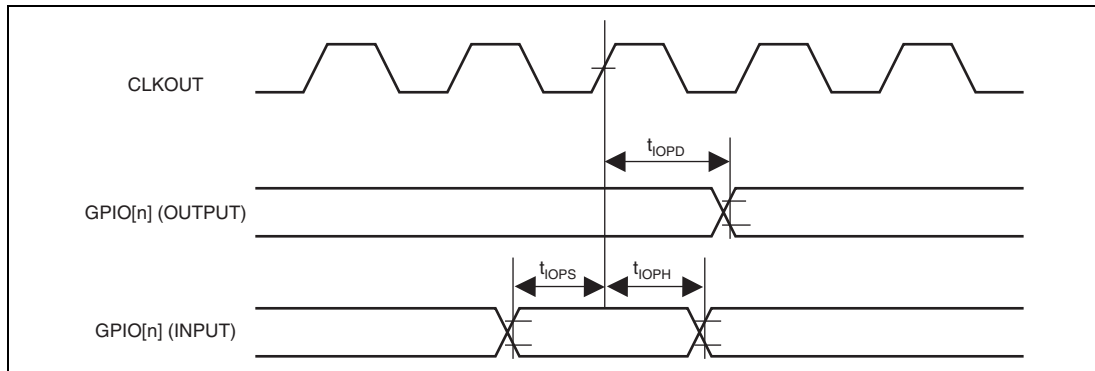


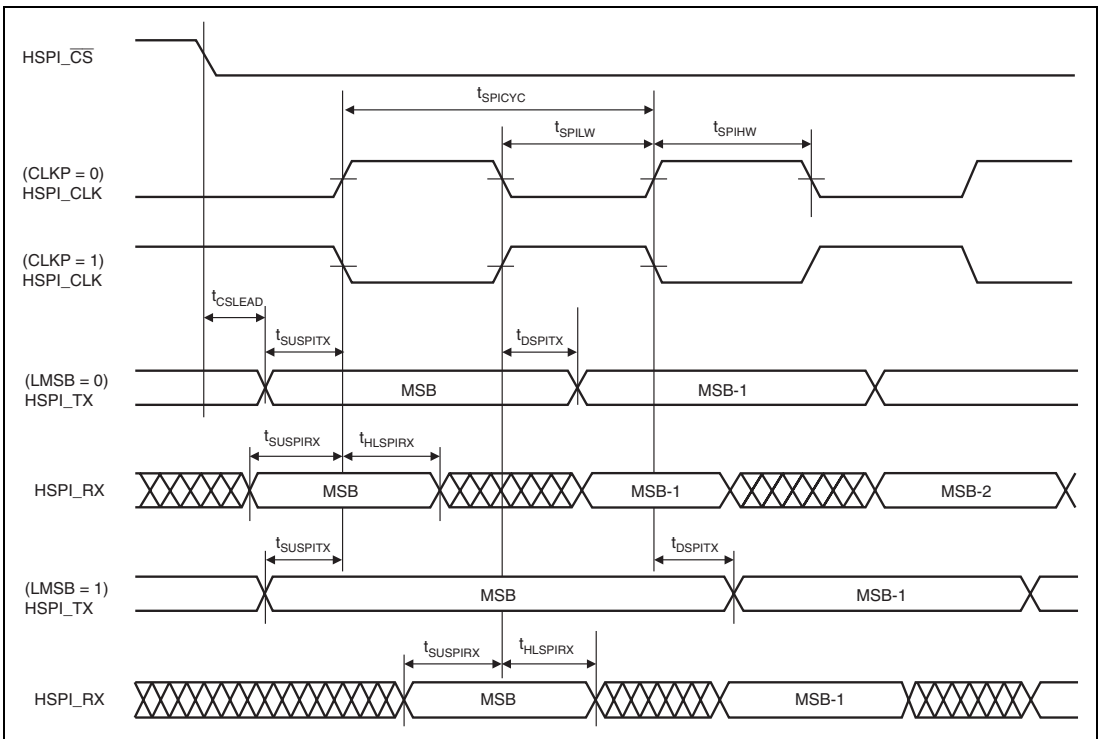
Figure 32.48 GPIO Signal Timing

32.3.12 HSPI Module Signal Timing

Table 32.17 HSPI Module Signal Timing

Item	Symbol	Min.	Max.	Unit	Figure
HSPI clock frequency (master)	T_{SPICYC}	—	Pck/8	MHz	32.49
HSPI clock frequency (slave)			Pck/12		
HSPI clock high level width	t_{SPIHW}	60	—	ns	
HSPI clock low level width	t_{SPILW}	60	—	ns	
HSPI_TX setup time	$t_{SUSPITX}$	—	20	ns	
HSPI_TX delay time	t_{DSPITX}	—	20	ns	
HSPI_RX setup time	$t_{SUSPIRX}$	20	—	ns	
HSPI_RX hold time	$t_{HLSPIRX}$	20	—	ns	
HSPI_CS lead time	$t_{cCSLEAD}$	100	—	ns	

Note: Pck is the frequency of the peripheral clock.


Figure 32.49 HSPI Data Output/Input Timing

32.3.13 SIOF Module Signal Timing

Table 32.18 SIOF Module Signal Timing

Item	Symbol	Min.	Max.	Unit	Figure
SIOF_MCLK clock input cycle time	t_{MCYC}	t_{poyc}	—	ns	32.50
SIOF_MCLK input high level width	t_{MWH}	$0.4 \times t_{MCYC}$	—	ns	
SIOF_MCLK input low level width	t_{MWL}	$0.4 \times t_{MCYC}$	—	ns	
SIOF_SCK clock cycle time	t_{SICYC}	t_{poyc}	—	ns	32.51 to 32.55
SIOF_SCK output high level width	t_{SWHO}	$0.4 \times t_{SICYC}$	—	ns	32.51 to 32.54
SIOF_SCK output low level width	t_{SWLO}	$0.4 \times t_{SICYC}$	—	ns	
SIOF_SYNC output delay time	t_{FSD}	—	10	ns	
SIOF_SCK input high level width	t_{SWHI}	$0.4 \times t_{SICYC}$	—	ns	32.55
SIOF_SCK input low level width	t_{SWLI}	$0.4 \times t_{SICYC}$	—	ns	
SIOF_SYNC input setup time	t_{FSS}	10	—	ns	
SIOF_SYNC input hold time	t_{FSH}	10	—	ns	
SIOF_TXD output delay time	t_{STDD}	—	10	ns	32.51 to 32.55
SIOF_RXD input setup time	t_{SRDS}	10	—	ns	
SIOF_RXD input hold time	T_{SRDH}	10	—	ns	

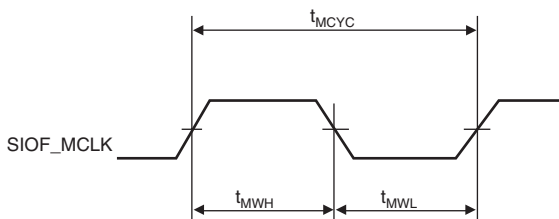
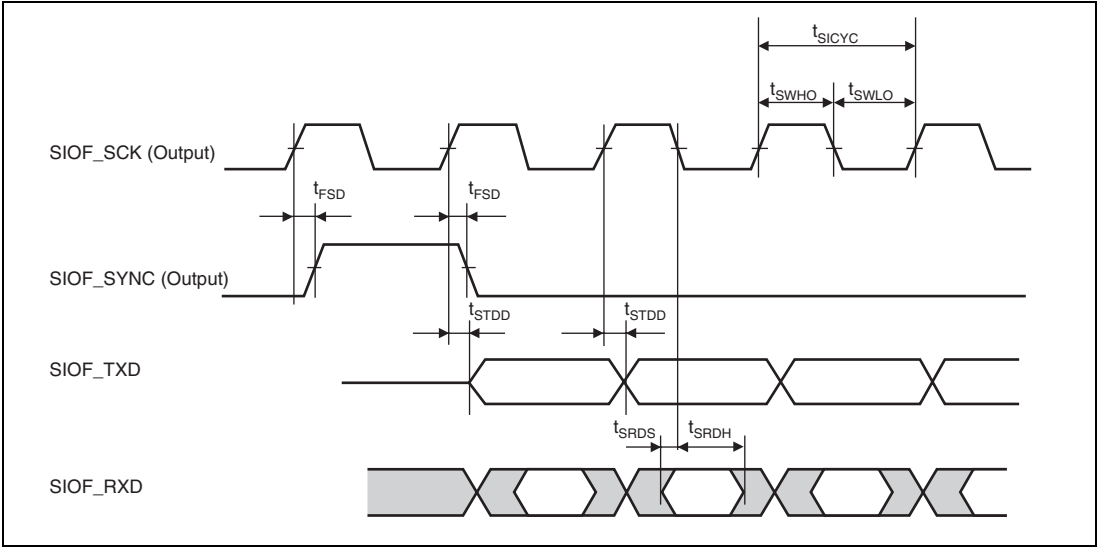
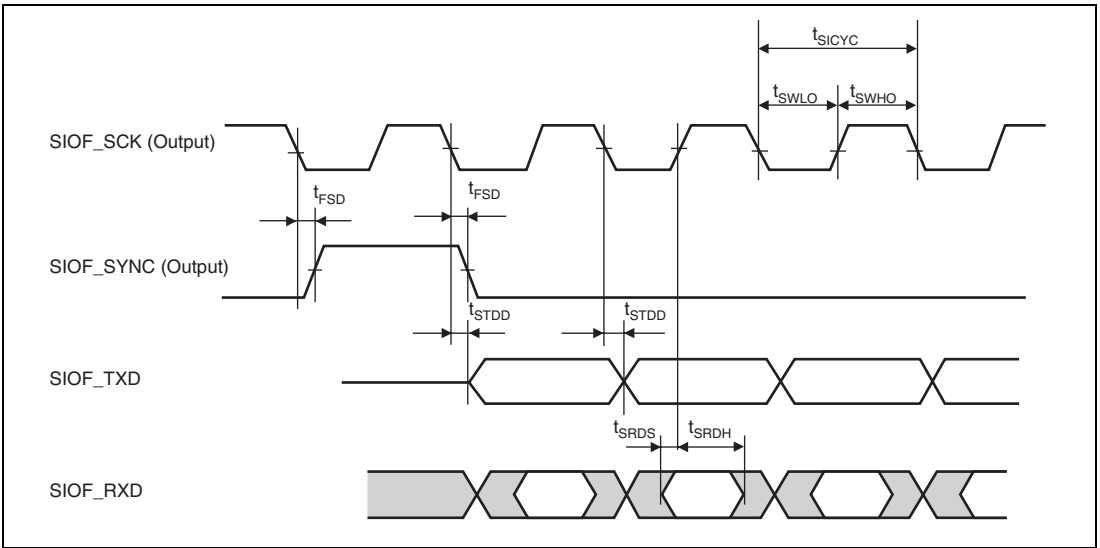


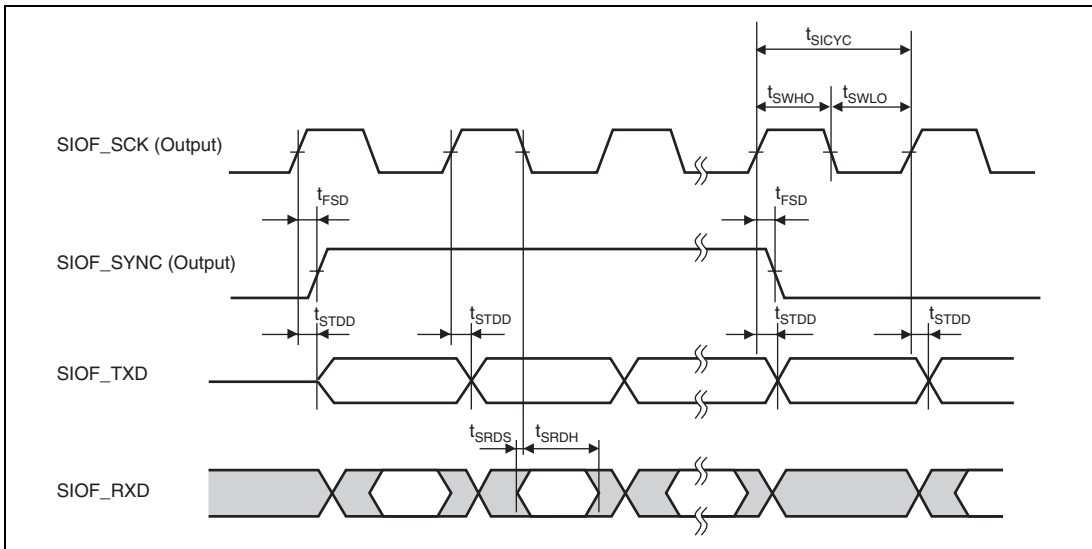
Figure 32.50 SIOF_MCLK Input Timing



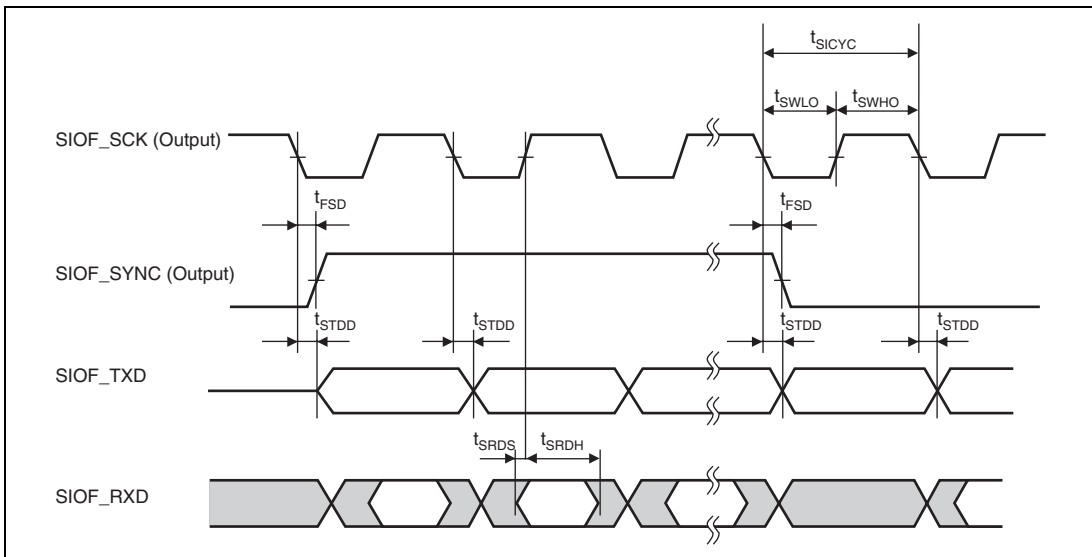
**Figure 32.51 SIOF Transmission/Reception Timing
(Master Mode 1, Sampling on Falling Edges)**



**Figure 32.52 SIOF Transmission/Reception Timing
(Master Mode 1, Sampling on Rising Edges)**



**Figure 32.53 SIOF Transmission/Reception Timing
(Master Mode 2, Sampling on Falling Edges)**



**Figure 32.54 SIOF Transmission/Reception Timing
(Master Mode 2, Sampling on Rising Edges)**

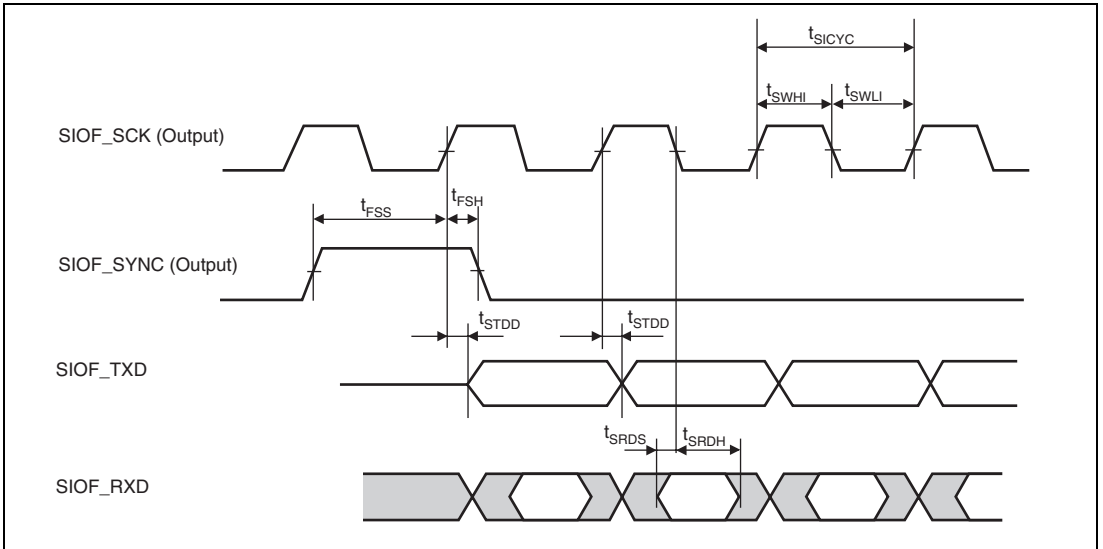


Figure 32.55 SIOF Transmission/Reception Timing (Slave Mode 1, Slave Mode 2)

32.3.14 MMCIF Module Signal Timing

Table 32.19 MMCIF Module Signal Timing

Item	Symbol	Min.	Max.	Unit	Figure
MMCCLK clock cycle time	t_{MMcyc}	50	—	ns	32.56
MMCCLK clock high level width	t_{MMWH}	$0.4 \times t_{MMcyc}$	—	ns	
MMCCLK clock low level width	t_{MMWL}	$0.4 \times t_{MMcyc}$	—	ns	
MMCCMD output data delay time	t_{MMTCD}	—	10	ns	
MMCCMD input data hold time	t_{MMRCS}	10	—	ns	32.57, 32.58
MMCCMD input data setup time	t_{MMRCH}	10	—	ns	
MMCD output data delay time	t_{MMTDD}	—	10	ns	32.56
MMCD input data setup time	t_{MMRDS}	10	—	ns	32.57, 32.58
MMCD input data hold time	t_{MMRDH}	10	—	ns	

Note: t_{MMcyc} is the period of one MMCCLK cycle.

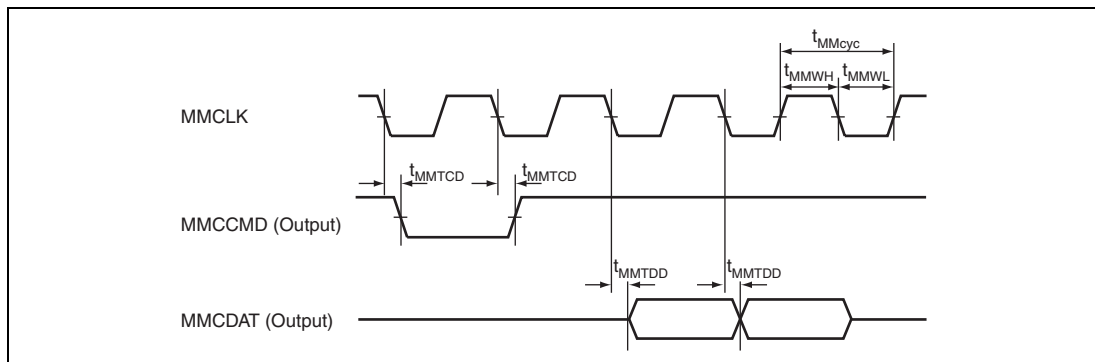


Figure 32.56 MMCIF Transmission Timing

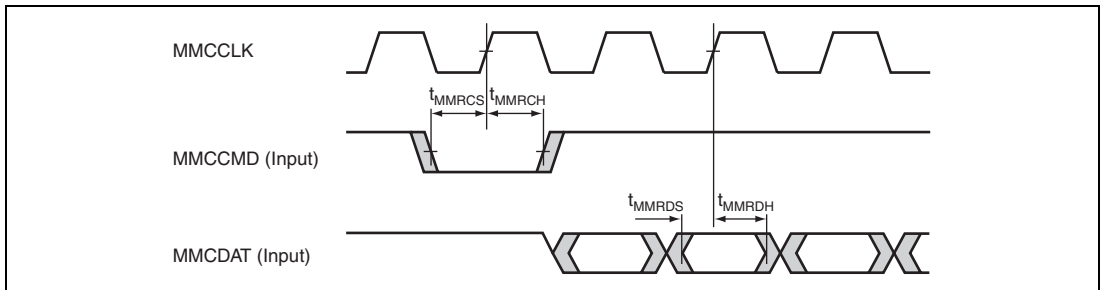


Figure 32.57 MMCIF Reception Timing (Sampling on Rising Edges)

32.3.15 HAC Interface Module Signal Timing

Table 32.20 HAC Interface Module Signal Timing

Item	Symbol	Min.	Max.	Unit	Figure
HAC_RES active low pulse width	t_{RST_LOW}	1000	—	ns	32.58
HAC_SYNC active pulse width	t_{SYN_HIGH}	1000	—	ns	32.59
HAC_SYNC delay time 1	t_{SYNCD1}	—	15	ns	32.61
HAC_SYNC delay time 2	t_{SYNCD2}	—	15	ns	
HAC_SDOOUT delay time	t_{SDOUTD}	—	15	ns	
HAC_SDIN setup time	t_{SDINOS}	10	—	ns	
HAC_SDIN hold time	t_{SDINOH}	10	—	ns	
HAC_BITCLK input high level width	t_{ICL0_HIGH}	$t_{Pcyc}/2$	—	ns	32.60
HAC_BITCLK input low level width	t_{ICL0_LOW}	$t_{Pcyc}/2$	—	ns	

Note: t_{Pcyc} is the period of one peripheral clock (Pck) cycle.

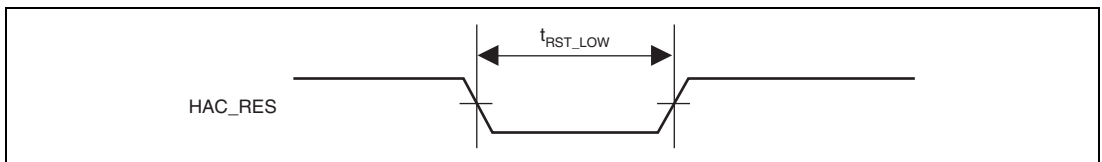


Figure 32.58 HAC Cold Reset Timing

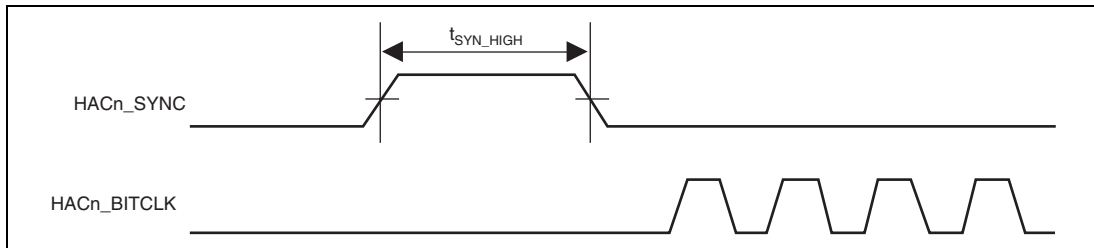


Figure 32.59 HAC Warm Reset Timing

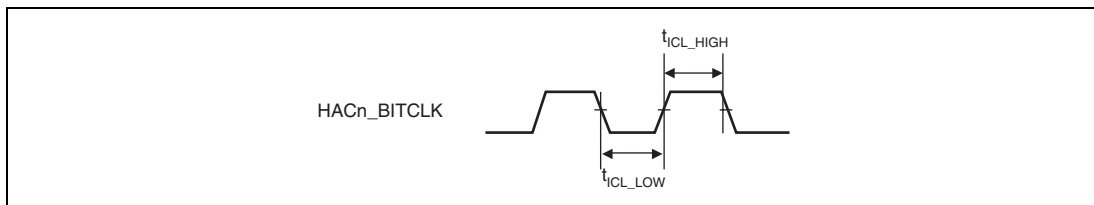


Figure 32.60 HAC Clock Input Timing

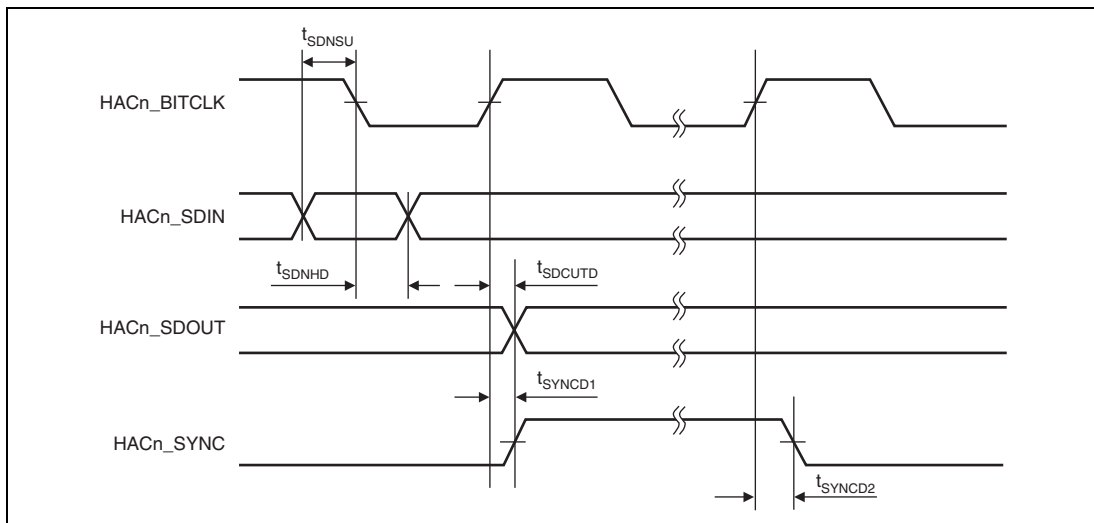
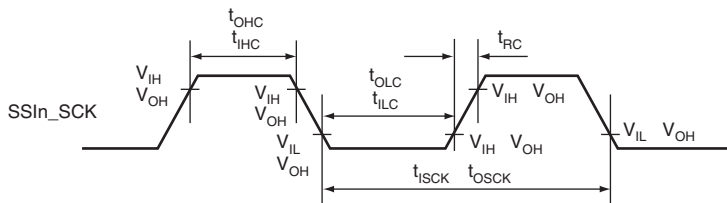
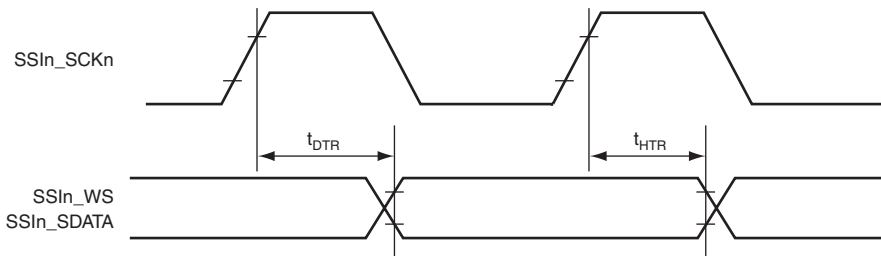


Figure 32.61 HAC Interface Module Signal Timing

32.3.16 SSI Interface Module Signal Timing

Table 32.21 SSI Interface Module Signal Timing

Item	Symbol	Min.	Max.	Unit	Remarks	Figure
Output cycle time	t_{OSCK}	40	710	ns	Output	
Input cycle time	t_{ISCK}	80	3300	ns	Input	
Input high level width/input low level width	t_{IHC}/t_{ILC}	30		ns	Input	32.62
Output high level width/output low level width	T_{OHC}/t_{OLC}	13		ns	Output	
SCK output rise time	t_{RC}	—	60	ns	Output	
SDATA output delay time	t_{DTR}	—	50	ns	Transmit	32.63, 32.64
SDATA/WS input setup time	t_{SR}	10	—	ns	Receive	32.65, 32.66
SDATA/WS input hold time	t_{HTR}	10	—	ns	Receive	32.66


Figure 32.62 SSI Clock Input/Output Timing

Figure 32.63 SSI Transmission Timing (1)

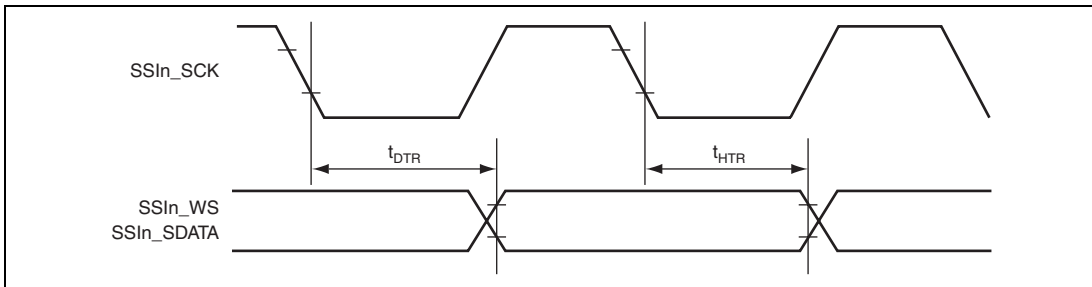


Figure 32.64 SSI Transmission Timing (2)

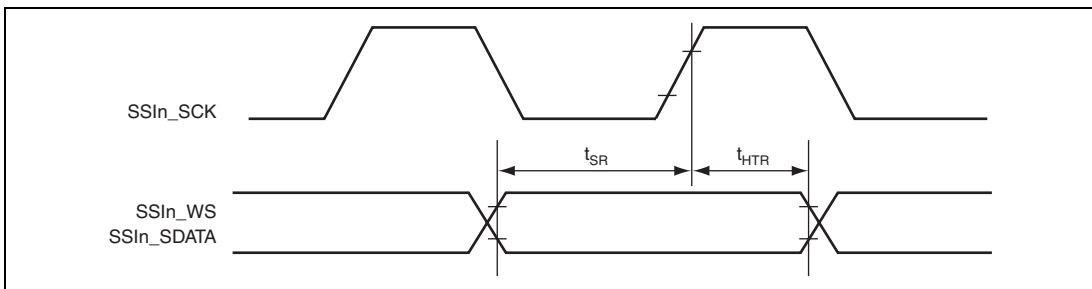


Figure 32.65 SSI Reception Timing (1)

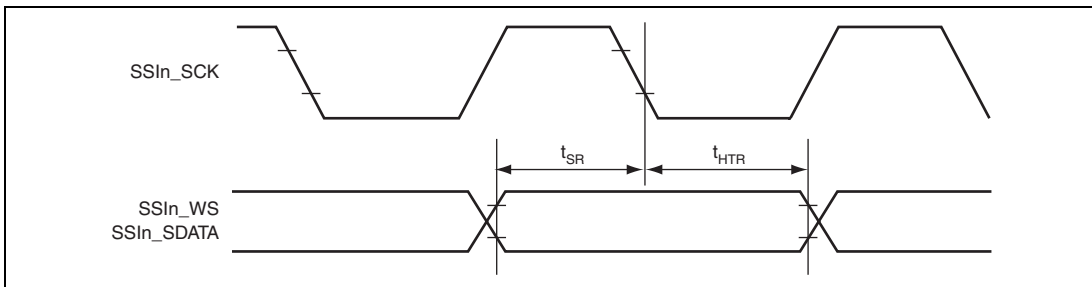


Figure 32.66 SSI Reception Timing (2)

32.3.17 FLCTL Module Signal Timing

Table 32.22 NAND-Type Flash Memory Interface Timing

Item	Symbol	Min.	Max.	Unit	Figure
Command issue setup time	t_{NCDS}	$2 \times t_{\text{fcyc}} - 10$	—	ns	32.67, 32.71
Command issue hold time	t_{NCDH}	$1.5 \times t_{\text{fcyc}} - 10$	—	ns	
Data output setup time	t_{NDOS}	$0.5 t_{\text{fcyc}} - 10$	—	ns	32.67, 32.68, 32.70, 32.71
Data output hold time	t_{NDOH}	$0.5 t_{\text{fcyc}} - 10$	—	ns	
Command to address transition time 1	t_{NCDAD1}	$1.5 \times t_{\text{fcyc}} - 10$	—	ns	32.67, 32.68
Command to address transition time 2	t_{NCDAD2}	$2 \times t_{\text{fcyc}} - 10$	—	ns	32.68
$\overline{\text{FWE}}$ cycle time	t_{NWC}	$t_{\text{fcyc}} - 5$	—	ns	32.68, 32.70
$\overline{\text{FWE}}$ low pulse width	t_{NWP}	$0.5 t_{\text{fcyc}} - 5$	—	ns	32.67, 32.68, 32.70, 32.71
$\overline{\text{FWE}}$ high pulse width	t_{NWH}	$0.5 t_{\text{fcyc}} - 5$	—	ns	32.68, 32.70
Address to ready/busy transition time	t_{NADRB}	—	$32 \times t_{\text{pcyc}}$	ns	32.68, 32.69
Ready/busy to data read transition time 1	t_{NRBDR1}	$1.5 \times t_{\text{fcyc}}$	—	ns	32.69
Ready/busy to data read transition time 2	t_{NRBDR2}	$32 \times t_{\text{pcyc}}$	—	ns	
FSC cycle time	t_{NSCC}	t_{fcyc}	—	ns	
FSC high pulse width	t_{NSPH}	$0.5 \times t_{\text{fcyc}} - 5$	—	ns	
FSC low pulse width	t_{NSP}	$0.5 \times t_{\text{fcyc}} - 5$	—	ns	32.69, 32.71
Read data setup time	t_{NRDS}	24	—	ns	
Read data hold time	t_{NRDH}	5	—	ns	
Data write setup time	t_{NDWS}	$32 \times t_{\text{pcyc}} - 10$	—	ns	32.70
Command to status read transition time	t_{NCDSR}	$4 \times t_{\text{fcyc}} - 10$	—	ns	32.71
Command output off to status read transition time	t_{NCDFSR}	$3.5 \times t_{\text{fcyc}}$	—	ns	
Status read setup time	t_{NSTS}	$2.5 \times t_{\text{fcyc}} - 10$	—	ns	

Notes: 1. t_{pcyc} is the period of one peripheral clock (Pck) cycle.

2. t_{fcyc} is the period of one FLCTL clock (Fck) cycle.

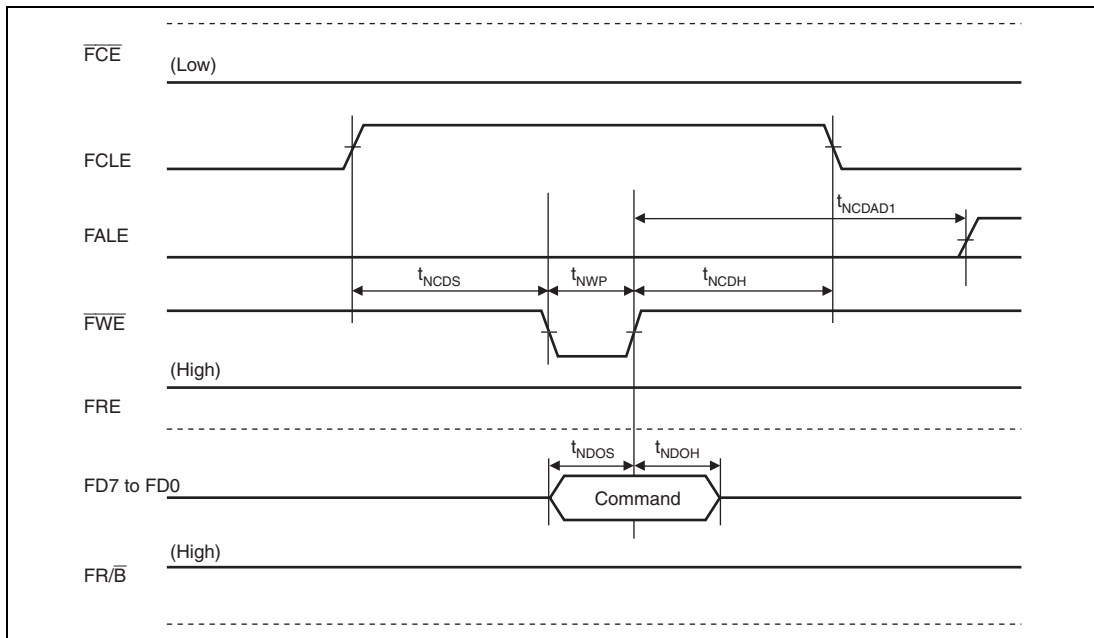


Figure 32.67 Command Issue Timing of NAND-Type Flash Memory

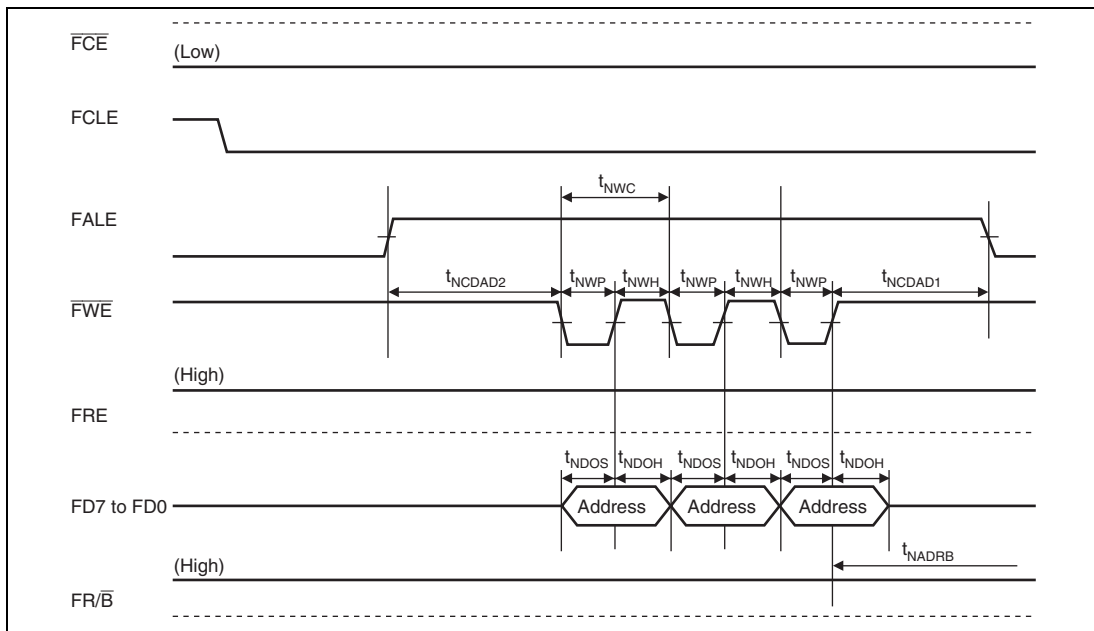


Figure 32.68 Address Issue Timing of NAND-Type Flash Memory

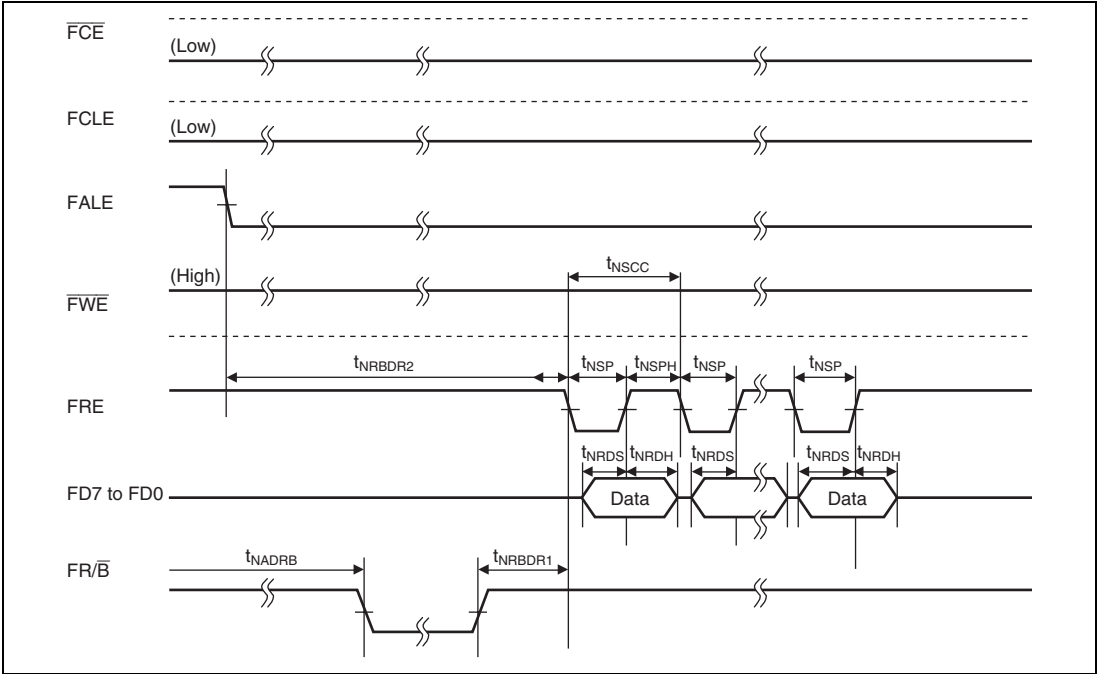


Figure 32.69 Data Read Timing of NAND-Type Flash Memory

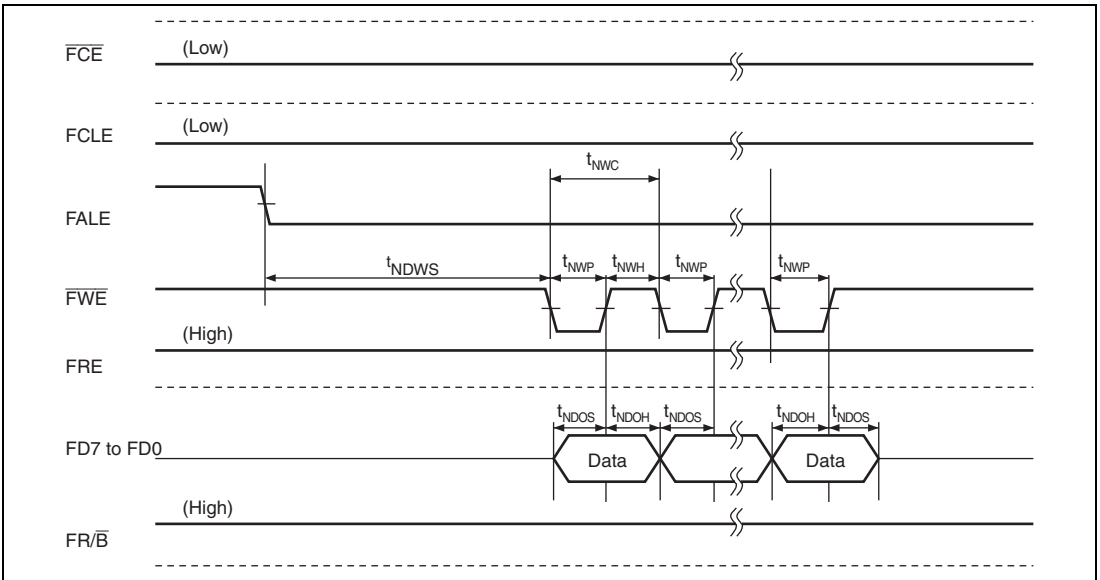


Figure 32.70 Data Write Timing of NAND-Type Flash Memory

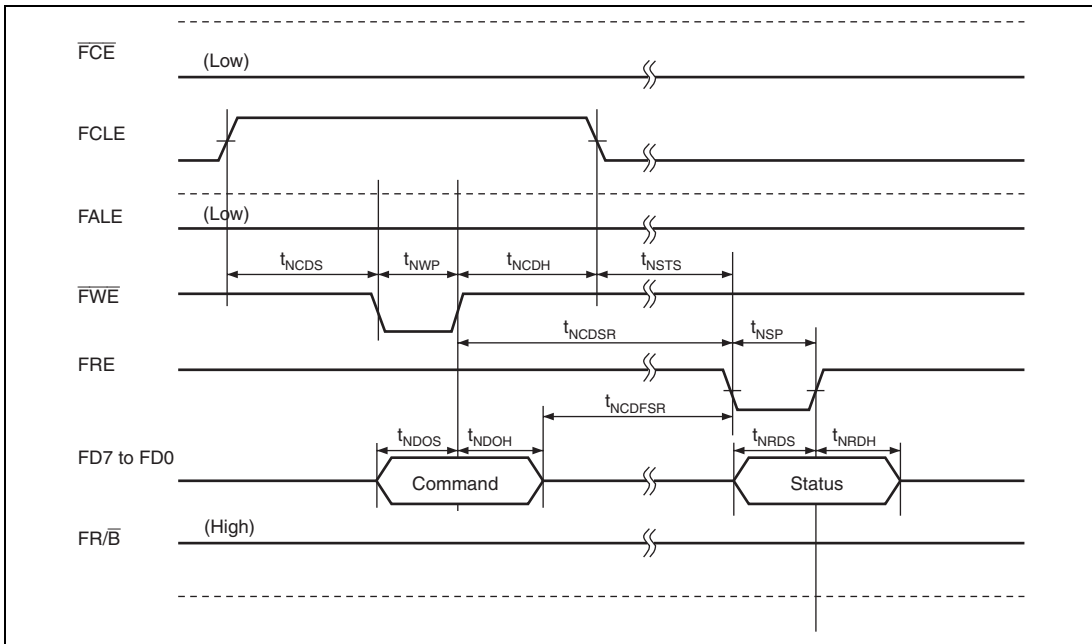


Figure 32.71 Status Read Timing of NAND-Type Flash Memory

32.3.18 Display Unit Signal Timing

Table 32.23 PCICLK/DCLKIN Signal Timing

 Conditions: $V_{DDQ} = 3.3 \text{ V} \pm 0.3 \text{ V}$, $T_a = -40^\circ\text{C}$ to $+85^\circ\text{C}$, $GND = V_{SSQ} = 0 \text{ V}$

Item	Symbol	Min.	Typ.	Max.	Unit	Figure
PCICLK/DCLKIN cycle time	t_{DICYC}	20	—	—	ns	32.72
PCICLK/DCLKIN high level width	t_{DCKIH}	8	—	—	ns	
PCICLK/DCLKIN low level width	t_{DCKIL}	8	—	—	ns	

Table 32.24 Display Timing

 Conditions: $V_{DDQ} = 3.3 \text{ V} \pm 0.3 \text{ V}$, $T_a = -40^\circ\text{C}$ to $+85^\circ\text{C}$, $GND = V_{SSQ} = 0 \text{ V}$

Item	Symbol	Min.	Typ.	Max.	Unit	Figures
Display input control signal setup time	t_{DS}	5	—	—	ns	Figure 32.73 (with respect to PCICLK/DCLKIN)
Display input control signal hold time	t_{DH}	3	—	—	ns	
$\overline{DEVSEL}/DCLKOUT$ output cycle time	t_{DCYC}	20	—	—	ns	Figure 32.74 (with respect to $\overline{DEVSEL}/DCLKOUT$)
$\overline{DEVSEL}/DCLKOUT$ output high level width	t_{DCKH}	6	—	—	ns	
Delay time of display output control signal output	t_{DD}	-2	—	8	ns	
Display digital data output delay time	t_{DD}	-2	—	8	ns	
$\overline{IRDY}/HSYNC$ input low level width	t_{EXHLW}	$4 \times t_{DCYC}$	—	—	ns	Figure 32.75
$\overline{IRDY}/HSYNC$ input high level width	t_{EXHWW}	$4 \times t_{DCYC}$	—	—	ns	
$\overline{PCIFRAME}/VSYNC$ input low level width	t_{EXVLW}	$3 \times HC$	—	—	t_{DCYC}	
LOCK/ODDF setup time 1	t_{OD1}	$(ys + yw) \times HC$	—	—	t_{DCYC}	
LOCK/ODDF setup time 2	t_{OD2}	$1 \times HC$	—	—	t_{DCYC}	

Table 32.25 Classification of Pins

Pin Classification	Display Input Control Signal* ¹	Display Output Control Signal* ²	Digital Data for Display* ³
Pin Name	$\overline{\text{PCIFRAME}}/\overline{\text{VSYNC}}$	$\overline{\text{PCIFRAME}}/\overline{\text{VSYNC}}$	D32/AD0/DR0
	$\overline{\text{IRDY}}/\overline{\text{HSYNC}}$	$\overline{\text{IRDY}}/\overline{\text{HSYNC}}$	D33/AD1/DR1
	$\overline{\text{LOCK}}/\text{ODDF}$	$\overline{\text{LOCK}}/\text{ODDF}$	D34/AD2/DR2
		$\overline{\text{TRDY}}/\text{DISP}$	D35/AD3/DR3
		$\overline{\text{STOP}}/\text{CDE}$	D36/AD4/DR4
			D37/AD5/DR5
			D38/AD6/DG0
			D39/AD7/DG1
			D40/AD8/DG2
			D41/AD9/DG3
			D42/AD10/DG4
			D43/AD11/DG5
			D44/AD12/DB0
			D45/AD13/DB1
			D46/AD14/DB2
			D47/AD15/DB3
			D48/AD16/DB4
			D49/AD17/DB5

Note: *1, *2, and *3 correspond to the numbers with asterisk in figures 32.73 and 32.74.

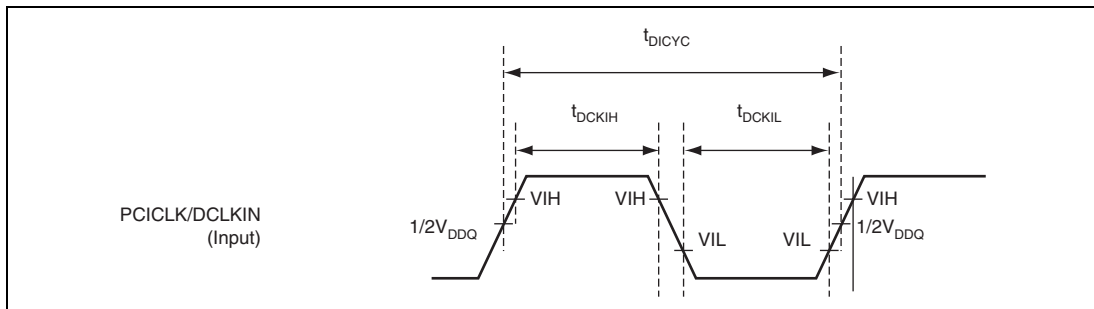


Figure 32.72 PCICLK/DCLKIN Clock Input Timing

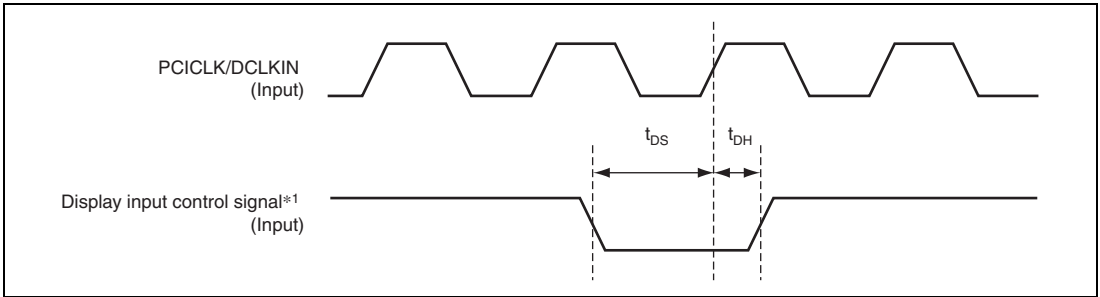


Figure 32.73 Display Timing (with Respect to PCICLK/DCLKIN)

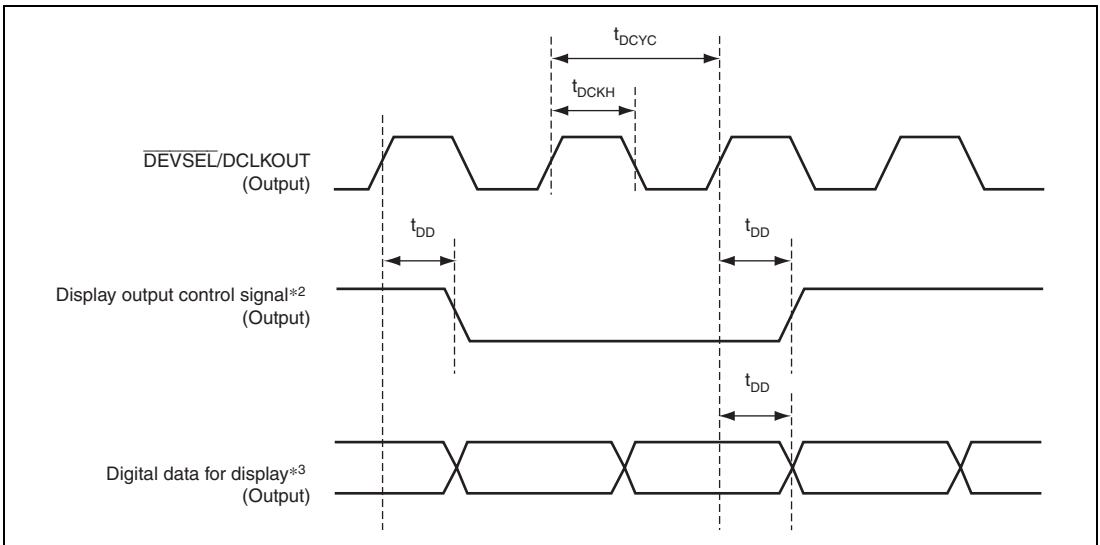


Figure 32.74 Display Timing (with Respect to DEVSEL/DCLKOUT)

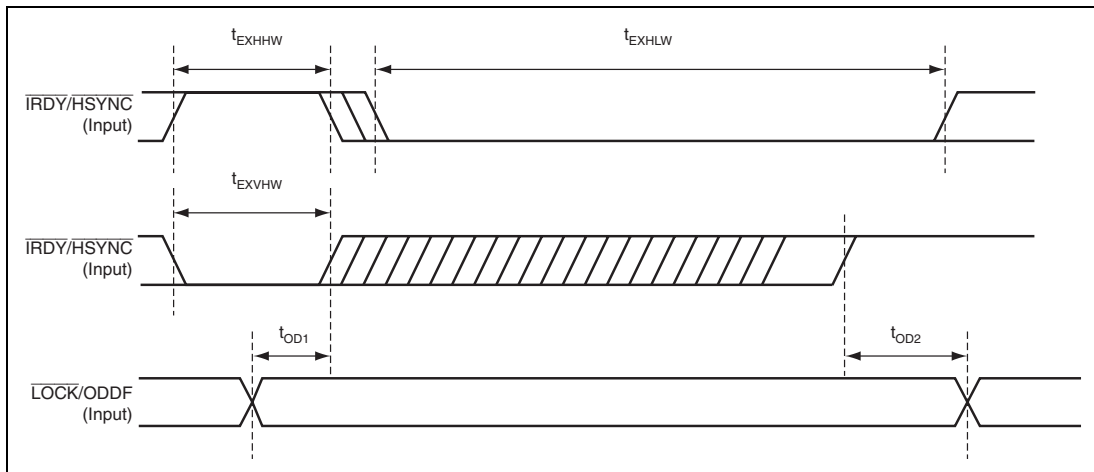


Figure 32.75 Display Timing in TV Synchronous Mode

32.4 AC Characteristic Test Conditions

The AC characteristic test conditions are as follows.

DDR pin only

- Input/output signal reference level
MDQS: $\overline{\text{MDQS}}$ cross point
MCK: $\overline{\text{MCK}}$ cross point
Other than above: $V_{DDQ\text{-DDR}}/2$
- Input pulse level: V_{SSQ} to $V_{DDQ\text{-DDR}}$
- Input rise/fall time: 0.25 ns

Other pins

- Input/output signal reference level: $V_{DDQ}/2$
- Input pulse level: V_{SSQ} to V_{DDQ}
- Input rise/fall time: 1 ns

The following figure shows the output load circuit.

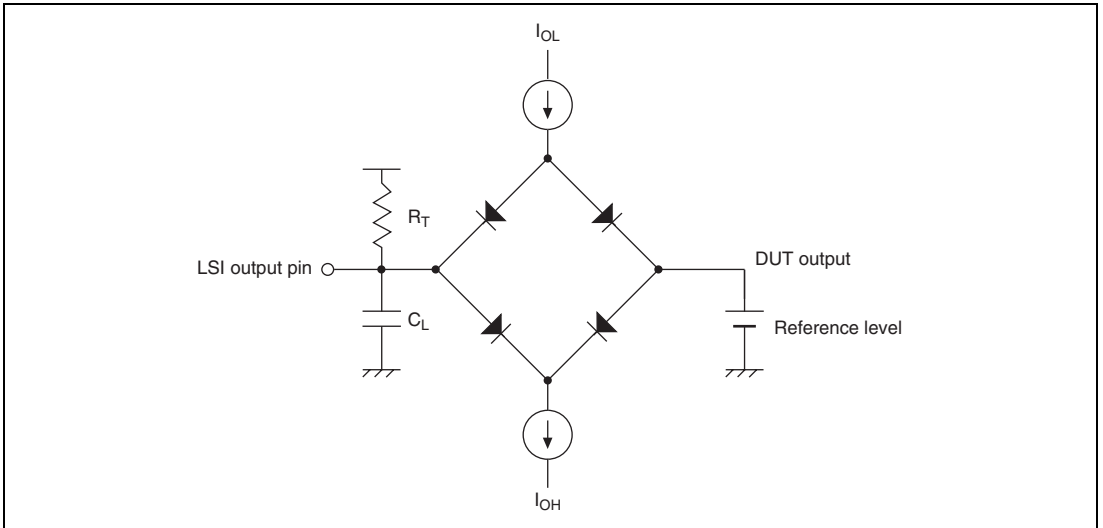


Figure 32.76 Output Load Circuit

- Notes:
1. C_L is the total value, including the capacitance of the test jig. The capacitance of each pin is set to 30 pF.
 2. $R_T = 50\Omega$ (DDR pin, AUD pin)
 3. $I_{OL} = 24.5$ mA (DDR pin, AUD pin)
 4 mA (PC pin)
 2 mA (other pins)
- $I_{OH} = -24.5$ mA (DDR pin, AUD pin)
 -4 mA (PC pin)
 -2 mA (other pins)

Appendix

A. Package Dimensions

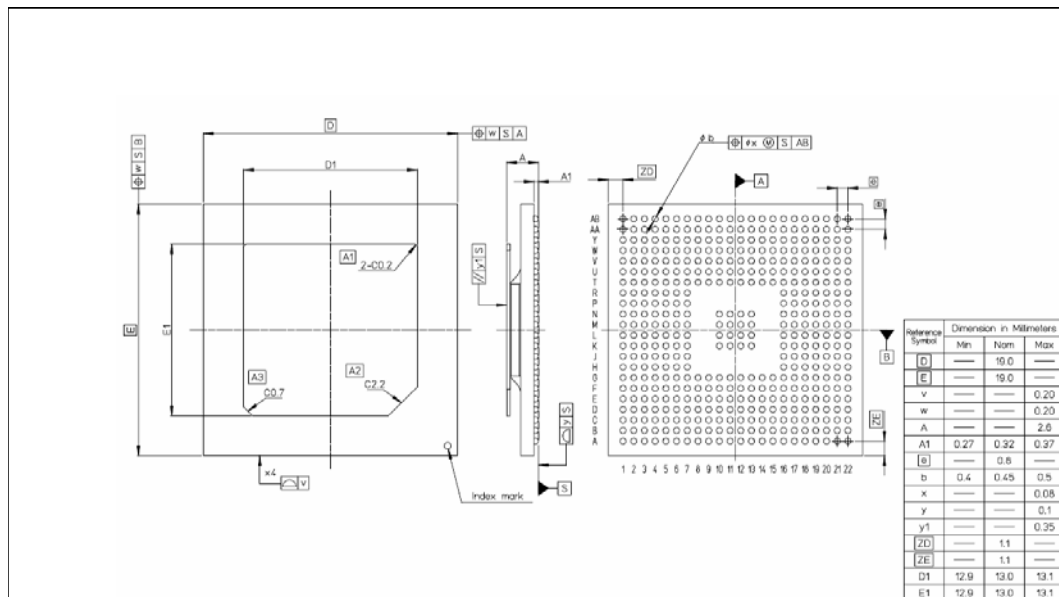


Figure A.1 Package Dimensions (436-Pin BGA)

Note: The T_j (junction temperature) of this LSI becomes over 125°C. So a careful thermal design is necessary. Use a heat sink or forced air cooling to lower the T_j .

B. Mode Pin Settings

The MODE14–MODE0 pin values are input in the event of a power-on reset via the $\overline{\text{PRESET}}$ pin.

Note: The MODE6 pin is output state after power-on reset.

Legend:

H: High level input

L: Low level input

Table B.1 Clock Operating Modes with External Pin Combination

Clock Operating Mode	Pin Value					OSC/ External input Frequency [MHz]		Divider 1	PLL 1	Frequency (vs. Input Clock)								
	MODE [4:0] Pin Number	4	3	2	1	0	Min			Max	Ick	Uck	SHck	GAck	DUck	Pck	DDRck	Bck
	0	L	L	L	L	L	12			17	× 1		× 36	× 18	× 18	× 9	× 9	× 3
1	L	L	L	L	H					× 36	× 18	× 18	× 9	× 9	× 3/2	× 18	× 3/2	
2	L	L	L	H	L					× 36	× 12	× 12	× 6	× 6	× 3	× 12	× 6	
3	L	L	L	H	H					× 36	× 12	× 12	× 6	× 6	× 3/2	× 12	× 3/2	
16	H	L	L	L	L	23	34	× 1	× 36	× 18	× 9	× 9	× 9/2	× 9/2	× 3/2	× 9	× 3	
17	H	L	L	L	H					× 18	× 9	× 9	× 9/2	× 9/2	× 3/4	× 9	× 3/4	
18	H	L	L	H	L					× 18	× 6	× 6	× 3	× 3	× 3/2	× 6	× 3	
19	H	L	L	H	H					× 18	× 6	× 6	× 3	× 3	× 3/4	× 6	× 3/4	

Note: When MODE12 or MODE11 is set to low level, DUck is stopped.

The division ratio of the divider 2 can be read out from FRQMR1.

For details, see section 15, Clock Pulse Generator (CPG).

Table B.2 Area 0 Memory Type and Bus Width

Pin Value			Memory Interface	Bus Width
MODE7	MODE6*	MODE5		
L	L	L	MPX interface	64 bits
		H	Setting prohibited	Setting prohibited
	H	L	Setting prohibited	Setting prohibited
		H	MPX interface	32 bits
H	L	L	SRAM interface	64 bits
		H	SRAM interface	8 bits
	H	L	SRAM interface	16 bits
		H	SRAM interface	32 bits

Note: * The MODE6 pin is output state after power-on reset.

Table B.3 Endian

Pin Value	
MODE8	Endian
L	Big endian
H	Little endian

Table B.4 Master/Slave

Pin Value	
MODE9	Master/Slave
L	Slave
H	Master

Table B.5 Clock Input

Pin Value	
MODE10	Clock Input
L	External input clock
H	Crystal resonator

Table B.6 Bus Mode

Pin Value		
MODE12	MODE11	Bus Mode
L	L	PCI host bus bridge
	H	PCIC normal (non-host)
H	L	Local bus
	H	Display unit

Table B.7 Boot Address Mode

Pin Value		
MODE13		Boot address Mode
L		29-bit address mode
H		32-bit address extended mode

Table B.8 Mode Control

Pin Value		
MODE14		Mode
L		Setting prohibited
H		Normal operation

Table B.9 Mode Control

Pin Value		
MPMD		Mode
L		Emulation support mode
H		LSI operation mode

Note: When using emulation support mode, refer to the emulator manual of the SH7785.

C. Pin Functions

C.1 Pin States

Table C.1 Pin States in Reset, Power-Down State, and Bus-Released State

Pin Name (LSI level)	Pin Name (Module level)	Related Module	I/O	Reset			Module Standby	Bus Release
				Power- on	Manual	Sleep		
A[25:0]	A[25:0]	LBSC	O	PZ	K	K	—	PZ/Z
D[31:24]	D[31:24] (default)	LBSC	I/O	Z	K	K	—	Z
	Port F[7:0]	GPIO	I/O	—	K	K	—	Z
D[23:16]	D[23:16] (default)	LBSC	I/O	Z	K	K	—	Z
	Port G[7:0]	GPIO	I/O	—	K	K	—	Z
D[15:0]	D[15:0]	LBSC	I/O	Z	K	K	—	Z
$\overline{CS}[6:0]$	$\overline{CS}[6:0]$	LBSC	O	H(m)/ PZ(s) ^{*1}	K	K	—	PZ/Z
$\overline{BACK/BSREQ}$	$\overline{BACK/BSREQ}$ (default)	LBSC	I/O	H ^{*2}	K	K	—	O
	Port M0	GPIO	I/O	—	K	K	—	O
$\overline{BREQ/BSACK}$	$\overline{BREQ/BSACK}$ (default)	LBSC	I/O	PZ	K	K	—	I
	Port M1	GPIO	I/O	—	K	K	—	I
\overline{BS}	\overline{BS}	LBSC	O	H(m)/ PZ(s) ^{*1}	K	K	—	PZ/Z
$\overline{R/W}$	$\overline{R/W}$	LBSC	O	H(m)/ PZ(s) ^{*1}	K	K	—	PZ/Z
$\overline{RD/FRAME}$	$\overline{RD/FRAME}$	LBSC	O	H(m)/ PZ(s) ^{*1}	K	K	—	PZ/Z
\overline{RDY}	\overline{RDY}	LBSC	I	PI	K	K	—	I
$\overline{WE0/REG}$	$\overline{WE0/REG}$	LBSC	O	H(m)/ PZ(s) ^{*1}	K	K	—	PZ/Z
$\overline{WE1}$	$\overline{WE1}$	LBSC	O	H(m)/ PZ(s) ^{*1}	K	K	—	PZ/Z
$\overline{WE2/IORD}$	$\overline{WE2/IORD}$	LBSC	O	H(m)/ PZ(s) ^{*1}	K	K	—	PZ/Z
$\overline{WE3/IOWR}$	$\overline{WE3/IOWR}$	LBSC	O	H(m)/ PZ(s) ^{*1}	K	K	—	PZ/Z

Pin Name (LSI level)	Pin Name (Module level)	Related Module	I/O	Reset			Module Standby	Bus Release
				Power -on	Manual	Sleep		
$\overline{\text{DACK0}}$	Port K1 (default)	GPIO	I/O	PI	K	K	—	K
	$\overline{\text{DACK0}}$	DMAC	O	—	O	O	K	O
$\overline{\text{DACK1}}$	Port K0 (default)	GPIO	I/O	PI	K	K	—	K
	$\overline{\text{DACK1}}$	DMAC	O	—	O	O	K	O
$\overline{\text{DACK2}}$ / SCIF2_TXD/ MMCCMD/ SIOF_TXD	Port K5 (default)	GPIO	I/O	PI	K	K	—	K
	$\overline{\text{DACK2}}$	DMAC	O	—	O	O	O	O
	SCIF2_TXD	SCIF	O	—	PZ/Z	O	O	O
	MMCCMD	MMCIF	I/O	—	PI/I	K	K	K
	SIOF_TXD	SIOF	O	—	H	K	K	K
$\overline{\text{DACK3}}$ / SCIF2_SCK/ MMCDAT/ SIOF_SCK	Port K4 (default)	GPIO	I/O	PI	K	K	—	K
	$\overline{\text{DACK3}}$	DMAC	O	—	O	O	O	O
	SCIF2_SCK	SCIF	I/O	—	I	K	K	K
	MMCDAT	MMCIF	I/O	—	I	K	K	K
	SIOF_SCK	SIOF	I/O	—	L	K	K	K
$\overline{\text{STATUS0}}$ / $\overline{\text{DRAK0}}$	STATUS0 (default)	RESET	O	H	H	L	H	L
	$\overline{\text{DRAK0}}$	DMAC	O	—	O	O	O	O
	Port K7	GPIO	I/O	—	K	K	K	K
$\overline{\text{STATUS1}}$ / $\overline{\text{DRAK1}}$	STATUS1 (default)	RESET	O	H	H	H	L	L
	$\overline{\text{DRAK1}}$	DMAC	O	—	O	O	O	O
	Port K6	GPIO	I/O	—	K	K	K	K
$\overline{\text{DRAK2}}$ / $\overline{\text{CE2A}}$	Port L5 (default)	GPIO	I/O	PI	K	K	K	K
	$\overline{\text{DRAK2}}$	DMAC	O	—	O	O	O	O
	$\overline{\text{CE2A}}$	LBSC	O	—	K	K	K	K

Pin Name (LSI level)	Pin Name (Module level)	Related Module	I/O	Reset			Module Standby	Bus Release
				Power -on	Manual	Sleep		
DREQ0	Port K3 (default)	GPIO	I/O	PI	K	K	—	K
	$\overline{\text{DREQ0}}$	DMAC	I	—	PI/I	PI/I	PI/I	PI/I
DREQ1	Port K2 (default)	GPIO	I/O	PI	K	K	—	K
	$\overline{\text{DREQ1}}$	DMAC	I	—	PI/I	PI/I	PI/I	PI/I
DREQ2/INTB	Port L7 (default)	GPIO	I/O	PI	K	K	—	K
	$\overline{\text{DREQ2}}$	DMAC	I	—	PI/I	PI/I	PI/I	PI/I
	$\overline{\text{INTB}}$	PCIC	I	—	K	K	—	K
DREQ3/INTC	Port L6 (default)	GPIO	I/O	PI	K	K	—	K
	$\overline{\text{DREQ3}}$	DMAC	I	—	PI/I	PI/I	PI/I	PI/I
	$\overline{\text{INTC}}$	PCIC	I	—	K	K	—	K
MCLK[1:0]	MCLK[1:0]	DBSC2	O	L	K	K	—	K
$\overline{\text{MCLK}}[1:0]$	$\overline{\text{MCLK}}[1:0]$	DBSC2	O	L	K	K	—	K
MDQS[3:0]	MDQS[3:0]	DBSC2	I/O	Z	K	K	—	K
$\overline{\text{MDQS}}[3:0]$	$\overline{\text{MDQS}}[3:0]$	DBSC2	I/O	Z	K	K	—	K
MDM[3:0]	MDQ[3:0]	DBSC2	O	H	K	K	—	K
MDQ[31:0]	MDQ[31:0]	DBSC2	I/O	Z	K	K	—	K
MCKE	MCKE	DBSC2	O	L	K	K	—	K
$\overline{\text{MCAS}}$	$\overline{\text{MCAS}}$	DBSC2	O	L	K	K	—	K
$\overline{\text{MRAS}}$	$\overline{\text{MRAS}}$	DBSC2	O	L	K	K	—	K
$\overline{\text{MCS}}$	$\overline{\text{MCS}}$	DBSC2	O	L	K	K	—	K
$\overline{\text{MWE}}$	$\overline{\text{MWE}}$	DBSC2	O	L	K	K	—	K
MODT	MODT	DBSC2	O	L	K	K	—	K
MA[14:0]	MA[14:0]	DBSC2	O	L	K	K	—	K
MBA[2:0]	MBA[2:0]	DBSC2	O	L	K	K	—	K
$\overline{\text{MBKPRST}}$	$\overline{\text{MBKPRST}}$	DBSC2	I	I	K	K	—	K

Pin Name (LSI level)	Pin Name (Module level)	Related Module	I/O	Reset			Module Standby	Bus Release
				Power -on	Manual	Sleep		
D[63:56]/ AD[31:24] * ³	AD[31:24]	PCIC	I/O	PZ	K	K	—	K
	D[63:56]	LBSC	I/O	PZ	K	K	—	Z
	Port A[7:0]	GPIO	I/O	PZ	K	K	—	K
D[55:50]/ AD[23:18] * ³	AD[23:18]	PCIC	I/O	PZ	K	K	—	K
	D[55:50]	LBSC	I/O	PZ	K	K	—	Z
	Port B[7:2]	GPIO	I/O	PZ	K	K	—	K
D[49:48]/ AD[17:16]/ DB[5:4] * ³	AD[17:16]	PCIC	I/O	PZ	K	K	—	K
	D[49:48]	LBSC	I/O	PZ	K	K	—	Z
	DB[5:4]	DU	O	PZ	K	K	K	K
	Port B[1:0]	GPIO	I/O	—	K	K	—	K
D[47:44]/ AD[15:12]/ DB[3:0] * ³	AD[15:12]	PCIC	I/O	PZ	K	K	—	K
	D[47:44]	LBSC	I/O	PZ	K	K	—	Z
	DB[3:0]	DU	O	PZ	K	K	K	K
	Port C[7:4]	GPIO	I/O	—	K	K	—	K
D[43:40]/ AD[11:8]/ DG[5:2] * ³	AD[11:8]	PCIC	I/O	PZ	K	K	—	K
	D[43:40]	LBSC	I/O	PZ	K	K	—	Z
	DG[5:2]	DU	O	PZ	K	K	K	K
	Port C[3:0]	GPIO	I/O	—	K	K	—	K
D[39:38]/ AD [7:6]/ DG[1:0] * ³	AD[7:6]	PCIC	I/O	PZ	K	K	—	K
	D[39:38]	LBSC	I/O	PZ	K	K	—	Z
	DG[1:0]	DU	O	PZ	K	K	K	K
	Port D[7:6]	GPIO	I/O	—	K	K	—	K
D[37:32]/ AD[5:0]/ DR[5:0] * ³	AD[5:0]	PCIC	I/O	PZ	K	K	—	K
	D[37:32]	LBSC	I/O	PZ	K	K	—	Z
	DR[5:0]	DU	O	PZ	K	K	K	K
	Port D[5:0]	GPIO	I/O	—	K	K	—	K
WE[7:4]/ CBE [3:0] * ³	CBE[3:0]	PCIC	I/O	PZ	K	K	—	K
	WE[7:4]	LBSC	O	PZ	K	K	—	Z
	Port R[3:0]	GPIO	I/O	PZ	K	K	—	K
GNT0/GNTIN * ³	GNT0/GNTIN	PCIC	I/O	PZ	K	K	—	K
	Port Q3	GPIO	I/O	PZ	K	K	—	K

Pin Name (LSI level)	Pin Name (Module level)	Related Module	I/O	Reset			Module Standby	Bus Release
				Power -on	Manual	Sleep		
GNT3/ MMCCLK* ³	GNT3	PCIC	O	PZ	K	K	—	K
	MMCCLK	MMCIF	O	PZ	K	K	K	K
	Port E0	GPIO	I/O	PZ	K	K	—	K
GNT[2:1]* ³	GNT[2:1]	PCIC	O	PZ	K	K	—	K
	Port E1-E2	GPIO	I/O	PZ	K	K	—	K
REQ0/REQOUT* ³	REQ0/ REQOUT	PCIC	I/O	PZ	K	K	—	K
	Port Q2	GPIO	I/O	PZ	K	K	—	K
REQ3* ³	REQ3	PCIC	I	PZ	K	K	—	K
	Port E3	GPIO	I/O	PZ	K	K	—	K
REQ[2:1]* ³	REQ[2:1]	PCIC	I	PZ	K	K	—	K
	Port E4-E5	GPIO	I/O	PZ	K	K	—	K
DEVSEL/ DCLKOUT* ³	DEVSEL	PCIC	I/O	PZ	K	K	—	K
	DCLKOUT	DU	O	PZ	K	K	—	K
	Port P5	GPIO	I/O	PZ	K	K	—	K
PCIFRAME/ VSYNC* ³	PCIFRAME	PCIC	I/O	PZ	K	K	—	K
	VSYNC	DU	I/O	PZ	K	K	—	K
	Port P0	GPIO	I/O	PZ	K	K	—	K
IDSEL	IDSEL	PCIC	I	I	I	K	—	I
INTA* ³	INTA	PCIC	I/O	PZ	K	K	—	K
	Port Q4	GPIO	I/O	PZ	K	K	—	K
IRDY/HSYNC* ³	IRDY	PCIC	I/O	PZ	K	K	—	K
	HSYNC	DU	I/O	PZ	K	K	—	K
	Port P1	GPIO	I/O	PZ	K	K	—	K
LOCK/ODDF* ³	LOCK	PCIC	I/O	PZ	K	K	—	K
	ODDF	DU	I/O	PZ	K	K	—	K
	Port P3	GPIO	I/O	PZ	K	K	—	K
PAR	PAR	PCIC	I/O	PZ	O	K	—	O
PCICLK/ DCLKIN* ⁴	PCICLK	PCIC	I	I	PI	K	—	K
	DCLKIN	DU	I	I	PI	K	—	K

Pin Name (LSI level)	Pin Name (Module level)	Related Module	I/O	Reset			Module Standby	Bus Release
				Power -on	Manual	Sleep		
$\overline{\text{PCIRESET}}$	$\overline{\text{PCIRESET}}$	PCIC	O	L	O	K	—	O
$\overline{\text{PERR}}^{*3}$	$\overline{\text{PERR}}$	PCIC	I/O	PZ	K	K	—	K
	Port Q1	GPIO	I/O	PZ	K	K	—	K
$\overline{\text{SERR}}^{*3}$	$\overline{\text{SERR}}$	PCIC	I/O	PZ	K	K	—	K
	Port Q0	GPIO	I/O	PZ	K	K	—	K
$\overline{\text{STOP/CDE}}^{*3}$	$\overline{\text{STOP}}$	PCIC	I/O	PZ	K	K	—	K
	CDE	DU	O	PZ	K	K	—	K
	Port P4	GPIO	I/O	PZ	K	K	—	K
$\overline{\text{TRDY/DISP}}^{*3}$	$\overline{\text{TRDY}}$	PCIC	I/O	PZ	K	K	—	K
	DISP	DU	O	PZ	K	K	—	K
	Port P2	GPIO	I/O	PZ	K	K	—	K
CLKOUT	CLKOUT	CPG	O	O	K	K	—	K
CLKOUTENB	CLKOUTENB	CPG	O	H	K	K	—	K
$\overline{\text{PRESET}}$	$\overline{\text{PRESET}}$	RESET	I	I	I	I	—	I
NMI	NMI	INTC	I	PI	PI/I	PI/I	—	PI/I
$\overline{\text{MRESETOUT/}}/$ $\overline{\text{IRQOUT}}$	$\overline{\text{MRESETOUT}}$ (default)	RESET	O	H	L	O	—	O
	$\overline{\text{IRQOUT}}$	INTC	O	H	O	O	—	O
$\overline{\text{IRQ/IRL}}[3:0]$	$\overline{\text{IRQ/IRL}}[3:0]$	INTC	I	PI	I	I	—	I
MODE0/ $\overline{\text{IRQ/IRL}}4/$ FD4	MODE0 (power- on reset)	CPG	I	I	—	—	—	—
	Port L4 (default)	GPIO	I/O	—	K	K	—	K
	$\overline{\text{IRQ/IRL}}4$	INTC	I	—	I	I	—	I
	FD4	FLCTL	I/O	—	K	K	K	K
MODE1 $\overline{\text{IRQ/IRL}}5/$ FD5	MODE1 (power- on reset)	CPG	I	I	—	—	—	—
	Port L3 (default)	GPIO	I/O	—	K	K	—	K
	$\overline{\text{IRQ/IRL}}5$	INTC	I	—	I	I	—	I
	FD5	FLCTL	I/O	—	K	K	K	K

Pin Name (LSI level)	Pin Name (Module level)	Related Module	I/O	Reset			Module Standby	Bus Release
				Power -on	Manual	Sleep		
MODE2/ IRQ/IRL6/ FD6	MODE2 (power-on reset)	CPG	I	I	—	—	—	—
	Port L2 (default)	GPIO	I/O	—	K	K	—	K
	IRQ/IRL6	INTC	I	—	I	I	—	I
	FD6	FLCTL	I/O	—	K	K	K	K
MODE3/ IRQ/IRL7/ FD7	MODE3 (POWER-ON RESET)	CPG	I/O	I	—	—	—	—
	Port L1 (default)	GPIO	I/O	—	K	K	—	K
	IRQ/IRL7	INTC	I	—	I	I	—	I
	FD7	FLCTL	I/O	—	K	K	K	K
MODE4/ SCIF3_TXD/ FCLE	MODE4 (power-on reset)	CPG	I	I	—	—	—	—
	Port N5 (default)	GPIO	I/O	—	K	K	—	K
	SCIF3_TXD	SCIF	O	—	Z	O	O	O
	FCLE	FLCTL	O	—	K	K	K	K
MODE5/ SIOF_MCLK	MODE5 (power-on reset)	LBSC	I	I	—	—	—	—
	SIOF_MCLK (default)	SIOF	I	—	I	I	I	I
MODE6/ SIOF_SYNC	MODE6 (power-on reset)	LBSC	I	I	—	—	—	—
	SIOF_SYNC (default)	SIOF	I/O	—	O* ²	K	K	K
MODE7/ SCIF3_RXD/ FALE	MODE7 (power-on reset)	LBSC	I	I	—	—	—	—
	Port N4 (default)	GPIO	I/O	—	K	K	—	K
	SCIF3_RXD	SCIF	I	—	I	I	I	I
	FALE	FLCTL	O	—	K	K	K	K
MODE8/ SCIF3_SCK/ FD0	MODE8 (power-on reset)	LBSC	I	I	—	—	—	—
	Port N3 (default)	GPIO	I/O	—	K	K	—	K
	SCIF3_SCK	SCIF	I/O	—	I	K	K	K
	FD0	FLCTL	I/O	—	K	K	K	K

Pin Name (LSI level)	Pin Name (Module level)	Related Module	I/O	Reset			Module Standby	Bus Release
				Power -on	Manual	Sleep		
MDOE9/ SCIF4_TXD/ FD1	MDOE9 (power-on reset)	LBSC	I	I	—	—	—	—
	Port N2 (default)	GPIO	I/O	—	K	K	—	K
	SCIF4_TXD	SCIF	O	—	Z	O	O	O
	FD1	FLCTL	I/O	—	K	K	K	K
MODE10/ SCIF4_RXD/ FD2	MODE10 (power-on reset)	CPG	I	I	—	—	—	—
	Port N1 (default)	GPIO	I/O	—	K	K	—	K
	SCIF4_RXD	SCIF	I	—	I	I	I	I
	FD2	FLCTL	I/O	—	K	K	K	K
MODE11/ SCIF4_SCK/ FD3	MODE11 (power-on reset)	LBSC	I	I	—	—	—	—
	Port N0 (default)	GPIO	I/O	—	K	K	—	K
	SCIF4_SCK	SCIF	I/O	—	I	K	K	K
	FD3	FLCTL	I/O	—	K	K	K	K
MODE12/ DRAK3/ CE2B	MODE12 (power-on reset)	LBSC	I	I	—	—	—	—
	Port L0 (default)	GPIO	I/O	—	K	K	—	K
	$\overline{\text{DRAK3}}$	DMAC	O	—	O	O	O	O
	$\overline{\text{CE2B}}$	LBSC	O	—	K	K	K	K
MODE13(power-on reset)/ TCLK/ $\overline{\text{IOIS16}}$	MODE13	MMU	I	I	—	—	—	—
	Port J0 (default)	GPIO	I/O	—	K	K	—	K
	TCLK	TMU	I	—	I	I	I	I
	$\overline{\text{IOIS16}}$	LBSC	I	—	K	K	K	K
MODE14	MODE14	CPG	I	I	I	I	I	
EXTAL	EXTAL	CPG	I	I	I	I	I	
XTAL	XTAL	CPG	O	O	O	O	O	
SCIF0_CTS/ INTD/ FCE	Port H4 (default)	GPIO	I/O	PI	K	K	—	K
	$\overline{\text{SCIF0_CTS}}$	SCIF	I/O	—	I	K	K	K
	$\overline{\text{INTD}}$	PCIC	I	—	K	K	—	K
	$\overline{\text{FCE}}$	FLCTL	O	—	O	K	K	K

Pin Name (LSI level)	Pin Name (Module level)	Related Module	I/O	Reset			Module Standby	Bus Release
				Power -on	Manual	Sleep		
SCIF0_RTS/ HSPI_CS/ FSE	Port H3 (default)	GPIO	I/O	PI	K	K	—	K
	SCIF0_RTS	SCIF	I/O	—	I	K	K	K
	HSPI_CS	HSPI	I/O	—	Z	K	K	K
	FSE	FLCTL	O	—	O	K	K	k
SCIF0_RXD/ HSPI_RX/ FRB	Port H1 (default)	GPIO	I/O	PI	K	K	—	K
	SCIF0_RXD	SCIF	I	—	I	I	K	I
	HSPI_RX	HSPI	I	—	I	K	K	K
	FRB	FLCTL	I	—	I	K	K	K
SCIF0_SCK/ HSPI_CLK/ FRE	Port H2 (default)	GPIO	I/O	PI	K	K	—	K
	SCIF0_SCK	SCIF	I/O	—	I	K	K	K
	HSPI_CLK	HSPI	I/O	—	Z	K	K	K
	FRE	FLCTL	O	—	O	K	K	K
SCIF0_TXD/ HSPI_TX/ FWE	Port H0 (default)	GPIO	I/O	PI	K	K	—	K
	SCIF0_TXD	SCIF	O	—	Z	O	K	O
	HSPI_TX	HSPI	O	—	Z	K	K	K
	FWE	FLCTL	O	—	O	K	K	K
SCIF1_RXD	Port H6 (default)	GPIO	I/O	PI	K	K	—	K
	SCIF1_RXD	SCIF	I	—	I	I	I	I
SCIF1_SCK	Port H7 (default)	GPIO	I/O	PI	K	K	—	K
	SCIF1_SCK	SCIF	I/O	—	I	K	K	K
SCIF1_TXD	Port H5 (default)	GPIO	I/O	PI	Z	K	—	K
	SCIF1_TXD	SCIF	O	—	K	O	K	O
SCIF2_RXD/ SIOF_RXD	SCIF2_RXD (default)	SCIF	I	PI	I	K	K	K
	SIOF_RXD	SIOF	I	—	I	I	I	I
SIOF_MCLK/ HAC_RES	Port J3 (default)	GPIO	I/O	PI	K	K	—	K
	SIOF_MCLK	SIOF	I	—	I	I	I	I
	HAC_RES	HAC	O	—	O	O	O	O

Pin Name (LSI level)	Pin Name (Module level)	Related Module	I/O	Reset			Module Standby	Bus Release
				Power -on	Manual	Sleep		
SIOF_RXD/ HAC0_SDIN/ SSI0_SCK	Port J5 (default)	GPIO	I/O	PI	K	K	—	K
	SIOF_RXD	SIOF	I	—	I	I	I	I
	HAC0_SDIN	HAC	I	—	I	I	I	I
	SSI0_SCK	SSI	I/O	—	K	K	K	K
SIOF_SCK/ HAC0_BITCLK/ SSI0_CLK	Port J2 (default)	GPIO	I/O	PI	K	K	—	K
	SIOF_SCK	SIOF	I/O	—	L	K	K	K
	HAC0_BITCLK	HAC	I	—	I	I	I	I
	SSI0_CLK	SSI	I	—	I	I	I	I
SIOF_SYNC/ HAC0_SYNC/ SSI0_WS	Port J4 (default)	GPIO	I/O	PI	K	K	—	K
	SIOF_SYNC	SIOF	I/O	—	L	K	K	K
	HAC0_SYNC	HAC	O	—	O	O	O	O
	SSI0_WS	SSI	I/O	—	I	K	K	K
SIOF_TXD/ HAC0_SDOOUT/ SSI0_SDATA	Port J6 (default)	GPIO	I/O	PI	K	K	—	K
	SIOF_TXD	SIOF	O	—	H	K	K	K
	HAC0_SDOOUT	HAC	O	—	O	O	O	O
	SSI0_SDATA	SSI	I/O	—	I	K	K	K
HAC1_BITCLK/ SSI1_CLK	Port J1 (default)	GPIO	I/O	PI	K	K	—	K
	HAC1_BITCLK	HAC	I	—	I	I	I	I
	SSI1_CLK	SSI	I	—	I	I	I	I
SCIF5_TXD/ HAC1_SYNC/ SSI1_WS	Port J7 (default)	GPIO	I/O	PI	K	K	—	K
	SCIF5_TXD	SCIF	O	—	Z	O	O	O
	HAC1_SYNC	HAC	O	—	O	O	O	O
	SSI1_WS	SSI	I/O	—	I	K	K	K
SCIF5_RXD/ HAC1_SDIN/ SSI1_SCK	Port N7 (default)	GPIO	I/O	PI	K	K	—	K
	SCIF5_RXD	SCIF	I	—	I	I	I	I
	HAC1_SDIN	HAC	I	—	I	I	I	I
	SSI1_SCK	SSI	I/O	—	I	K	K	K

Pin Name (LSI level)	Pin Name (Module level)	Related Module	I/O	Reset			Module Standby	Bus Release
				Power -on	Manual	Sleep		
SCIF5_SCK/ HAC1_SDOUT/ SSI1_SDATA	Port N6 (default)	GPIO	I/O	PI	K	K	—	K
	SCIF5_SCK	SCIF	I/O	—	I	K	K	K
	HAC1_SDOUT	HAC	O	—	O	O	O	O
	SSI1_SDATA	SSI	I/O	—	I	K	K	K
ASEBRK/ BRKACK	ASEBRK/ BRKACK	H-UDI	I/O	PI	PI/O	PI/O	—	PI/O
TCK	TCK	H-UDI	I	PI	PI	PI	PI	PI
TRST	TRST	H-UDI	I	PI	PI	PI	PI	PI
TDI	TDI	H-UDI	I	PI	PI	PI	PI	PI
TMS	TMS	H-UDI	I	PI	PI	PI	PI	PI
TDO	TDO	H-UDI	O	O	O	O	O	O
AUDCK	AUDCK	H-UDI	O	O	O	O	—	O
AUDSYNC	AUDSYNC	H-UDI	O	O	O	O	—	O
AUDATA[3:0]	AUDATA[3:0]	H-UDI	O	O	O	O	—	O
MPMD	MPMD	H-UDI	I	I	I	I	—	I

Legend:

- : Disabled (not selected) or not supported
- (m): LBSC master mode
- (s): LBSC slave mode
- I: Input
- O: Output
- H: High level output
- L: Low level output
- Z: High impedance state
- PI: Input and pulled up with a built-in pull-up resistance.
- PZ: High impedance and pulled up with a built-in pull-up resistance.
- K: Retain the previous pin state.
- POR: Power-on reset

- Notes:
1. Depends on the MODE9 pin setting.
 2. After power-on reset, this pin is output state. Must not input signals immediately after power-on reset.
 3. Depends on the settings of the MODE[12:11] pin and corresponding registers.
 4. When the bus mode selected by MODE11/MODE12 pins is PCI host bus bridge or PCIC normal (non-host), clock must be input to PCICLK pin. When the bus mode selected by MODE11/MODE12 pins is local bus or display unit, PCICLK pin must be pulled-up to VDDQ or pulled-down to GND.

C.2 Handling of Unused Pins

Table C.2 Treatment of Unused Pins

Pin Name (LSI level)	Pin Name (Module level)	Module	I/O	When Not in Use
A[25:0]	A[25:0]	LBSC	O	Open
D[31:24]	D[31:24] (default)	LBSC	I/O	Open
	Port F[7:0]	GPIO	I/O	
D[23:16]	D[23:16] (default)	LBSC	I/O	Open
	Port G[7:0]	GPIO	I/O	
D[15:8]	D[15:8]	LBSC	I/O	Open
D[7:0]	D[7:0]	LBSC	I/O	Must be used
CS[6:1]	CS[6:1]	LBSC	O	Open
CS $\bar{0}$	CS $\bar{0}$	LBSC	O	Must be used
BACK/BSREQ	BACK/BSREQ (default)	LBSC	I/O	Open
	Port M0	GPIO	I/O	
BREQ/BSACK	BREQ/BSACK (default)	LBSC	I/O	Pulled to VDDQ
	Port M1	GPIO	I/O	
BS	BS	LBSC	O	Open
R/ \bar{W}	R/ \bar{W}	LBSC	O	Open
RD/FRAME	RD/FRAME	LBSC	O	Open
RDY	RDY	LBSC	I	Pulled-down to VSS* ¹
WE $\bar{0}$ /REG	WE $\bar{0}$ /REG	LBSC	O	Open
WE1	WE1	LBSC	O	Open
WE2/IORD	WE2/IORD	LBSC	O	Open
WE3/IOWR	WE3/IOWR	LBSC	O	Open
DACK $\bar{0}$	Port K1 (default)	GPIO	I/O	Open
	DACK $\bar{0}$	DMAC	O	
DACK1	Port K0 (default)	GPIO	I/O	Open
	DACK1	DMAC	O	

Pin Name (LSI level)	Pin Name (Module level)	Module	I/O	When Not in Use
$\overline{\text{DACK2}}$ / SCIF2_TXD/ MMCCMD/ SIOF_TXD	Port K5 (default)	GPIO	I/O	Open
	$\overline{\text{DACK2}}$	DMAC	O	
	SCIF2_TXD	SCIF	O	
	MMCCMD	MMCIF	I/O	
$\overline{\text{DACK3}}$ / SCIF2_SCK/ MMCDAT/ SIOF_SCK	Port K4 (default)	GPIO	I/O	Open
	$\overline{\text{DACK3}}$	DMAC	O	
	SCIF2_SCK	SCIF	I/O	
	MMCDAT	MMCIF	I/O	
STATUS0/ $\overline{\text{DRAK0}}$	STATUS0 (default)	RESET	O	Open
	$\overline{\text{DRAK0}}$	DMAC	O	
	Port K7	GPIO	I/O	
STATUS1/ $\overline{\text{DRAK1}}$	STATUS1 (default)	RESET	O	Open
	$\overline{\text{DRAK1}}$	DMAC	O	
	Port K6	GPIO	I/O	
$\overline{\text{DRAK2}}$ / $\overline{\text{CE2A}}$	Port L5 (default)	GPIO	I/O	Open
	$\overline{\text{DRAK2}}$	DMAC	O	
	$\overline{\text{CE2A}}$	LBSC	O	
$\overline{\text{DREQ0}}$	Port K3 (default)	GPIO	I/O	Open
	$\overline{\text{DREQ0}}$	DMAC	I	
$\overline{\text{DREQ1}}$	Port K2 (default)	GPIO	I/O	Open
	$\overline{\text{DREQ1}}$	DMAC	I	
$\overline{\text{DREQ2}}$ / $\overline{\text{INTB}}$	Port L7 (default)	GPIO	I/O	Open
	$\overline{\text{DREQ2}}$	DMAC	I	
	INTB	PCIC	I	
$\overline{\text{DREQ3}}$ / $\overline{\text{INTC}}$	Port L6 (default)	GPIO	I/O	Open
	$\overline{\text{DREQ3}}$	DMAC	I	
	$\overline{\text{INTC}}$	PCIC	I	

Pin Name (LSI level)	Pin Name (Module level)	Module	I/O	When Not in Use
MCLK[1:0]	MCLK[1:0]	DBSC2	O	Open
$\overline{\text{MCLK}}$ [1:0]	$\overline{\text{MCLK}}$ [1:0]	DBSC2	O	Open
MDQS[3:0]	MDQS[3:0]	DBSC2	I/O	Open
$\overline{\text{MDQS}}$ [3:0]	$\overline{\text{MDQS}}$ [3:0]	DBSC2	I/O	Open
MDM[3:0]	MDQ[3:0]	DBSC2	O	Open
MDQ[31:0]	MDQ[31:0]	DBSC2	I/O	Open
MCKE	MCKE	DBSC2	O	Open
$\overline{\text{MCAS}}$	MCAS	DBSC2	O	Open
$\overline{\text{MRAS}}$	$\overline{\text{MRAS}}$	DBSC2	O	Open
$\overline{\text{MCS}}$	$\overline{\text{MCS}}$	DBSC2	O	Open
$\overline{\text{MWE}}$	$\overline{\text{MWE}}$	DBSC2	O	Open
MODT	MODT	DBSC2	O	Open
MA[14:0]	MA[14:0]	DBSC2	O	Open
MBA[2:0]	MBA[2:0]	DBSC2	O	Open
$\overline{\text{MBKPRST}}$	$\overline{\text{MBKPRST}}$	DBSC2	I	Pulled-up to $V_{\text{DD-DDR}}$
D[63:56]/ AD[31:24]	AD[31:24]	PCIC	I/O	Open* ²
	D[63:56]	LBSC	I/O	
	Port A[7:0]	GPIO	I/O	
D[55:50]/ AD[23:18]	AD[23:18]	PCIC	I/O	Open* ²
	D[55:50]	LBSC	I/O	
	Port B[7:2]	GPIO	I/O	
D[49:48]/ AD[17:16]/ DB[5:4]	AD[17:16]	PCIC	I/O	Open* ²
	D[49:48]	LBSC	I/O	
	DB[5:4]	DU	O	Open* ²
	Port B[1:0]	GPIO	I/O	
D[47:44]/ AD[15:12]/ DB[3:0]	AD[15:12]	PCIC	I/O	Open* ²
	D[47:44]	LBSC	I/O	
	DB[3:0]	DU	O	

Pin Name (LSI level)	Pin Name (Module level)	Module	I/O	When Not in Use
D[43:40]/ AD[11:8]/ DG[5:2]	AD[11:8]	PCIC	I/O	Open* ²
	D[43:40]	LBSC	I/O	
	DG[5:2]	DU	O	
	Port C[3:0]	GPIO	I/O	
D[39:38]/ AD [7:6]/ DG[1:0]	AD[7:6]	PCIC	I/O	Open* ²
	D[39:38]	LBSC	I/O	
	DG[1:0]	DU	O	
	Port D[7:6]	GPIO	I/O	
D[37:32]/ AD[5:0]/ DR[5:0]	AD[5:0]	PCIC	I/O	Open* ²
	D[37:32]	LBSC	I/O	
	DR[5:0]	DU	O	
	Port D[5:0]	GPIO	I/O	
WE[7:4]/ CBE [3:0]	CBE[3:0]	PCIC	I/O	Open* ²
	WE[7:4]	LBSC	O	
	Port R[3:0]	GPIO	I/O	
GNT0/GNTIN	GNT0/GNTIN	PCIC	I/O	Open* ²
	Port Q3	GPIO	I/O	
GNT3/MMCCLK	GNT3	PCIC	O	Open
	MMCCLK	MMCIF	O	
	Port E0	GPIO	I/O	
GNT[2:1]	GNT[2:1]	PCIC	O	Open
	Port E1-E2	GPIO	I/O	
REQ0/REQOUT	REQ0/REQOUT	PCIC	I/O	Open* ²
	Port Q2	GPIO	I/O	
REQ3	REQ3	PCIC	I	Open* ² or pulled-up to VDDQ when PCIC normal mode
	Port E3	GPIO	I/O	
REQ[2:1]	REQ[2:1]	PCIC	I	Open* ² or pulled-up to VDDQ when PCIC normal mode
	Port E4-E5	GPIO	I/O	
DEVSEL/ DCLKOUT	DEVSEL	PCIC	I/O	Open* ³
	DCLKOUT	DU	O	
	Port P5	GPIO	I/O	

Pin Name (LSI level)	Pin Name (Module level)	Module	I/O	When Not in Use
PCIFRAME/ VSYNC	PCIFRAME	PCIC	I/O	Open* ²
	VSYNC	DU	I/O	
	Port P0	GPIO	I/O	
IDSEL	IDSEL	PCIC	I	Pulled-down to VSS
INTA	INTA	PCIC	I/O	Open* ² or pulled-up to VDDQ when PCIC normal mode
	Port Q4	GPIO	I/O	
IRDY/HSYNC	IRDY	PCIC	I/O	Open* ²
	HSYNC	DU	I/O	
	Port P1	GPIO	I/O	
LOCK/ODDF	LOCK	PCIC	I/O	Open* ²
	ODDF	DU	I/O	
	Port P3	GPIO	I/O	
PAR	PAR	PCIC	I/O	Open* ²
PCICLK/ DCLKIN	PCICLK	PCIC	I	When the bus mode selected by MODE11 and MODE12 pins is a PCI host bus bridge or a PCI normal (non-host) mode, clock must be input to the PCICLK pin. When the bus mode selected by MODE11 and MODE12 pins is a Local bus or Display Unit mode, PCICLK pin must be pulled-up to VDDQ or pulled-down to GND.
	DCLKIN	DU	I	
PCIRESET	PCIRESET	PCIC	O	Open
PERR	PERR	PCIC	I/O	Open* ²
	Port Q1	GPIO	I/O	
SERR	SERR	PCIC	I/O	Open* ²
	Port Q0	GPIO	I/O	
STOP/CDE	STOP	PCIC	I/O	Open* ²
	CDE	DU	O	
	Port P4	GPIO	I/O	

Pin Name (LSI level)	Pin Name (Module level)	Module	I/O	When Not in Use
TRDY/DISP	TRDY	PCIC	I/O	Open* ²
	DISP	DU	O	
	Port P2	GPIO	I/O	
CLKOUT	CLKOUT	CPG	O	Open
CLKOUTENB	CLKOUTENB	CPG	O	Open
PRESET	PRESET	RESET	I	Must be used
NMI	NMI	INTC	I	Pulled-up to VDDQ
MRESETOUT/ IRQOUT	MRESETOUT	RESET	O	Open
	IRQOUT	INTC	O	
IRQ/IRL[3:0]	IRQ/IRL[3:0]	INTC	I	Pulled-up to VDDQ
MODE0/ IRQ/IRL4/ FD4	MODE0 (power-on reset)	CPG	I	Must be used during power-on reset
	Port L4 (default)	GPIO	I/O	
	IRQ/IRL4	INTC	I	
MODE1 IRQ/IRL5/ FD5	MODE1 (power-on reset)	CPG	I	Must be used during power-on reset
	Port L3 (default)	GPIO	I/O	
	IRQ/IRL5	INTC	I	
MODE2/ IRQ/IRL6/ FD6	MODE2 (power-on reset)	CPG	I	Must be used during power-on reset
	Port L2 (default)	GPIO	I/O	
	IRQ/IRL6	INTC	I	
MODE3/ IRQ/IRL7/ FD7	MODE3 (power-on reset)	CPG	I/O	Must be used during power-on reset
	Port L1 (default)	GPIO	I/O	
	IRQ/IRL7	INTC	I	
	FD7	FLCTL	I/O	

Pin Name (LSI level)	Pin Name (Module level)	Module	I/O	When Not in Use
MODE4/ SCIF3_TXD/ FCLE	MODE4 (power-on reset)	CPG	I	Must be used during power-on reset
	Port N5 (default)	GPIO	I/O	Open
	SCIF3_TXD	SCIF	O	
	FCLE	FLCTL	O	
MODE5/ SIOF_MCLK	MODE5 (power-on reset)	LBSC	I	Must be used during power-on reset
	SIOF_MCLK	SIOF	I	Open
MODE6/ SIOF_SYNC	MODE6 (power-on reset)	LBSC	I	Must be used during power-on reset
	SIOF_SYNC	SIOF	I/O	Open
MODE7/ SCIF3_RXD/ FALE	MODE7 (power-on reset)	LBSC	I	Must be used during power-on reset
	Port N4 (default)	GPIO	I/O	Open
	SCIF3_RXD	SCIF	I	
	FALE	FLCTL	O	
MODE8/ SCIF3_SCK/ FD0	MODE8 (power-on reset)	LBSC	I	Must be used during power-on reset
	Port N3 (default)	GPIO	I/O	Open
	SCIF3_SCK	SCIF	I/O	
	FD0	FLCTL	I/O	
MDOE9/ SCIF4_TXD/ FD1	MDOE9 (power-on reset)	LBSC	I	Must be used during power-on reset
	Port N2 (default)	GPIO	I/O	Open
	SCIF4_TXD	SCIF	O	
	FD1	FLCTL	I/O	
MODE10/ SCIF4_RXD/ FD2	MODE10 (power-on reset)	CPG	I	Must be used during power-on reset
	Port N1 (default)	GPIO	I/O	Open
	SCIF4_RXD	SCIF	I	
	FD2	FLCTL	I/O	

Pin Name (LSI level)	Pin Name (Module level)	Module	I/O	When Not in Use
MODE11/ SCIF4_SCK/ FD3	MODE11 (power-on reset)	LBSC	I	Must be used during power-on reset
	Port N0 (default)	GPIO	I/O	Open
	SCIF4_SCK	SCIF	I/O	
	FD3	FLCTL	I/O	
MODE12/ DRAK3/ CE2B	MODE12 (power-on reset)	LBSC	I	Must be used during power-on reset
	Port L0 (default)	GPIO	I/O	Open
	DRAK3	DMAC	O	
	CE2B	LBSC	O	
MODE13/ TCLK/ IOIS16	MODE13	MMU	I	Must be used during power-on reset
	Port J0 (default)	GPIO	I/O	Open
	TCLK	TMU	I	
	IOIS16	LBSC	I	
MODE14	MODE14	CPG	I	Must be used during power-on reset (Pulled-up to VDDQ)
EXTAL	EXTAL	CPG	I	Must be used
XTAL	XTAL	CPG	O	Open
SCIF0_CTS/ INTD/ FCE	Port H4 (default)	GPIO	I/O	Open
	SCIF0_CTS	SCIF	I/O	
	INTD	PCIC	I	
	FCE	FLCTL	O	
SCIF0_RTS/ HSPI_CS/ FSE	Port H3 (default)	GPIO	I/O	Open
	SCIF0_RTS	SCIF	I/O	
	HSPI_CS	HSPI	I/O	
	FSE	FLCTL	O	
SCIF0_RXD/ HSPI_RX/ FRB	Port H1 (default)	GPIO	I/O	Open
	SCIF0_RXD	SCIF	I	
	HSPI_RX	HSPI	I	
	FRB	FLCTL	I	

Pin Name (LSI level)	Pin Name (Module level)	Module	I/O	When Not in Use
SCIF0_SCK/ HSPI_CLK/ FRE	Port H2 (default)	GPIO	I/O	Open
	SCIF0_SCK	SCIF	I/O	
	HSPI_CLK	HSPI	I/O	
	FRE	FLCTL	O	
SCIF0_TXD/ HSPI_TX/ FWE	Port H0 (default)	GPIO	I/O	Open
	SCIF0_TXD	SCIF	O	
	HSPI_TX	HSPI	O	
	FWE	FLCTL	O	
SCIF1_RXD	Port H6 (default)	GPIO	I/O	Open
	SCIF1_RXD	SCIF	I	
SCIF1_SCK	Port H7 (default)	GPIO	I/O	Open
	SCIF1_SCK	SCIF	I/O	
SCIF1_TXD	Port H5 (default)	GPIO	I/O	Open
	SCIF1_TXD	SCIF	O	
SCIF2_RXD/ SIOF_RXD	SCIF2_RXD (default)	SCIF	I	Open
	SIOF_RXD	SIOF	I	
SIOF_MCLK/ HAC_RES	Port J3 (default)	GPIO	I/O	Open
	SIOF_MCLK	SIOF	I	
	HAC_RES	HAC	O	
SIOF_RXD/ HAC0_SDIN/ SSI0_SCK	Port J5 (default)	GPIO	I/O	Open
	SIOF_RXD	SIOF	I	
	HAC0_SDIN	HAC	I	
	SSI0_SCK	SSI	I/O	
SIOF_SCK/ HAC0_BITCLK/ SSI0_CLK	Port J2 (default)	GPIO	I/O	Open
	SIOF_SCK	SIOF	I/O	
	HAC0_BITCLK	HAC	I	
	SSI0_CLK	SSI	I	
SIOF_SYNC/ HAC0_SYNC/ SSI0_WS	Port J4 (default)	GPIO	I/O	Open
	SIOF_SYNC	SIOF	I/O	
	HAC0_SYNC	HAC	O	
	SSI0_WS	SSI	I/O	

Pin Name (LSI level)	Pin Name (Module level)	Module	I/O	When Not in Use
SIOF_TXD/ HAC0_SDOOUT/ SSI0_SDATA	Port J6 (default)	GPIO	I/O	Open
	SIOF_TXD	SIOF	O	
	HAC0_SDOOUT	HAC	O	
	SSI0_SDATA	SSI	I/O	
HAC1_BITCLK/ SSI1_CLK	Port J1 (default)	GPIO	I/O	Open
	HAC1_BITCLK	HAC	I	
	SSI1_CLK	SSI	I	
SCIF5_TXD/ HAC1_SYNC/ SSI1_WS	Port J7 (default)	GPIO	I/O	Open
	SCIF5_TXD	SCIF	O	
	HAC1_SYNC	HAC	O	
	SSI1_WS	SSI	I/O	
SCIF5_RXD/ HAC1_SDIN/ SSI1_SCK	Port N7	GPIO	I/O	Open
	SCIF5_RXD	SCIF	I	
	HAC1_SDIN	HAC	I	
	SSI1_SCK	SSI	I/O	
SCIF5_SCK/ HAC1_SDOOUT/ SSI1_SDATA	Port N6	GPIO	I/O	Open
	SCIF5_SCK	SCIF	I/O	
	HAC1_SDOOUT	HAC	O	
	SSI1_SDATA	SSI	I/O	
THDAG	THDAG	—	—	Connected to VSS
THDAS	THDAS	—	—	Connected to VSS
THDCTL	THDCTL	—	—	Connected to VSS
THDCD	THDCD	—	—	Connected to VSS
VDDQ-TD	VDDQ-TD	—	—	Connected to VSS or VDDQ
ASEBRK/ BRKACK	ASEBRK/ BRKACK	H-UDI	I/O	Open
TCK	TCK	H-UDI	I	Open
TRST	TRST	H-UDI	I	Pulled-down to VSS or connected to PRESET*4
TDI	TDI	H-UDI	I	Open
TMS	TMS	H-UDI	I	Open
TDO	TDO	H-UDI	O	Open

Pin Name (LSI level)	Pin Name (Module level)	Module	I/O	When Not in Use
AUDCK	AUDCK	H-UDI	O	Open
AUDSYNC	AUDSYNC	H-UDI	O	Open
AUDATA[3:0]	AUDATA[3:0]	H-UDI	O	Open
MPMD	MPMD	H-UDI	I	Pulled-up to VDDQ

Notes: Power must be supplied to each power supply pin, even when the function pin is not used. When a pin is not used, do not set the register for the pin.

1. This pin is pulled-up within this LSI after power-on reset. Set the RDYPUP bit in PPUPR1 (GPIO) to 1 to pull-up off the \overline{RDY} pin's pulled-up.
2. The MODE[12:11] pin settings should be LBSC mode to be open these pins.
3. Specify LBSC mode or DU mode by the MODE[12:11] pins.
4. When not using emulator, the pin should be fixed to ground or connected to another pin which operates in the same manner as \overline{PRESET} . However, when fixed to a ground pin, the following problem occurs. Since the \overline{TRST} pin is pulled up within this LSI, a weak current flows when the pin is externally connected to ground pin. The value of the current is determined by a resistance of the pull-up MOS for the port pin. Although this current does not affect the operation of this LSI, it consumes unnecessary power.

D. Turning On and Off Power Supply

D.1 Turning On and Off Between Each Power Supply Series

The order of the power supply between the 1.0V series power supply (VDD10: VDD and VDD-PLL1 to 2 and VDDA-PLL1), the 1.8V series power supply (VDD18: VDD-DDR) and the 3.3V series power supply (VDD33: VDDQ and VDDQ-PLL1 to 2 and VDDQ-TD*) is as follows.

Note: * If VDDQ-TD is connected to VDDQ.

- Turning On Power Supply

There is no restriction for the order of the power supply between each power supply series (VDD10, VDD18, VDD33). Within 300 ms after turning on one power supply series, turn on all the other power supply series.

- Turning Off Power Supply

There is no restriction for the order of the power supply between each power supply series. (VDD10, VDD18, VDD33). Within 300 ms after turning off the one power supply series, turn off all the other power supply series.

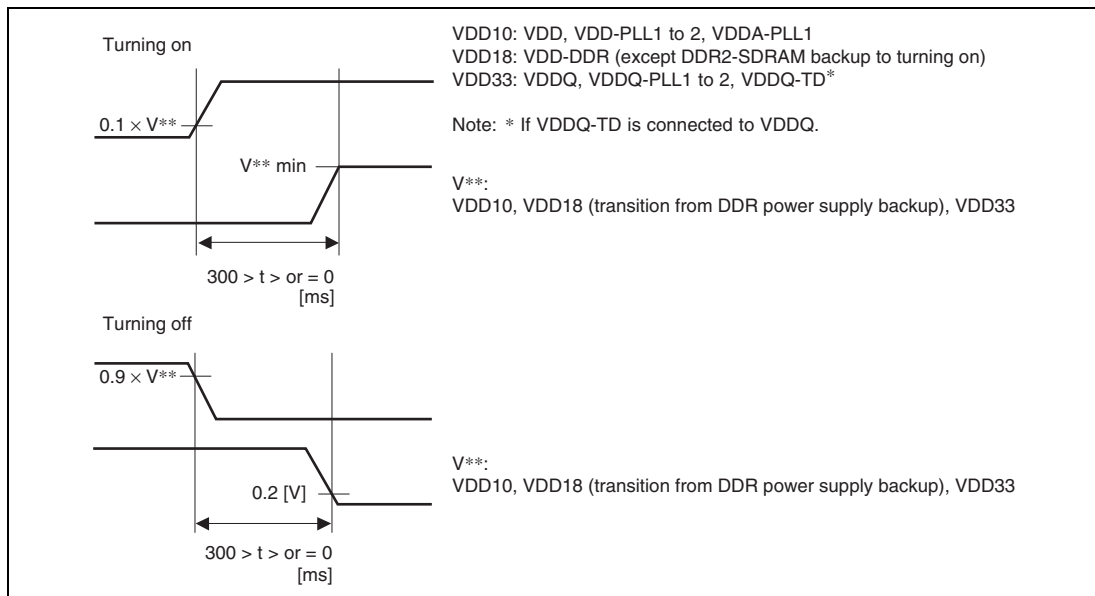


Figure D.1 Sequence of Turning On and Off Each Power Supply

D.2 Power-On and Power-Off Sequences for Power Supplies with Different Potentials in DDR2-SDRAM Power Supply Backup Mode

The power-on and power-off sequences for the 1.0 V power supply (VDD10 using pins VDD, VDD-PLL1, VDDA-PLL1, and VDD-PLL2), 1.8 V power supply (VDD18 using pin VDD-DDR), and 3.3 V power supply (VDD33 using pins VDDQ, VDDQ-PLL1, VDDQ-PLL2, and VDDQ-TD*) in DDR2-SDRAM power supply backup mode are as follows.

Note: * If VDDQ-TD is connected to VDDQ.

- Power-On Sequence

There is no restriction on the sequence in which the above power supplies are powered on. Ensure that all the power supplies start within 300 ms of the start of a power supply other than VDD-DDR.

- Power-Off Sequence

There is no restriction on the sequence in which the above power supplies are powered off. Ensure that all the power supplies stop within 300 ms of the stop of a power supply other than VDD-DDR.

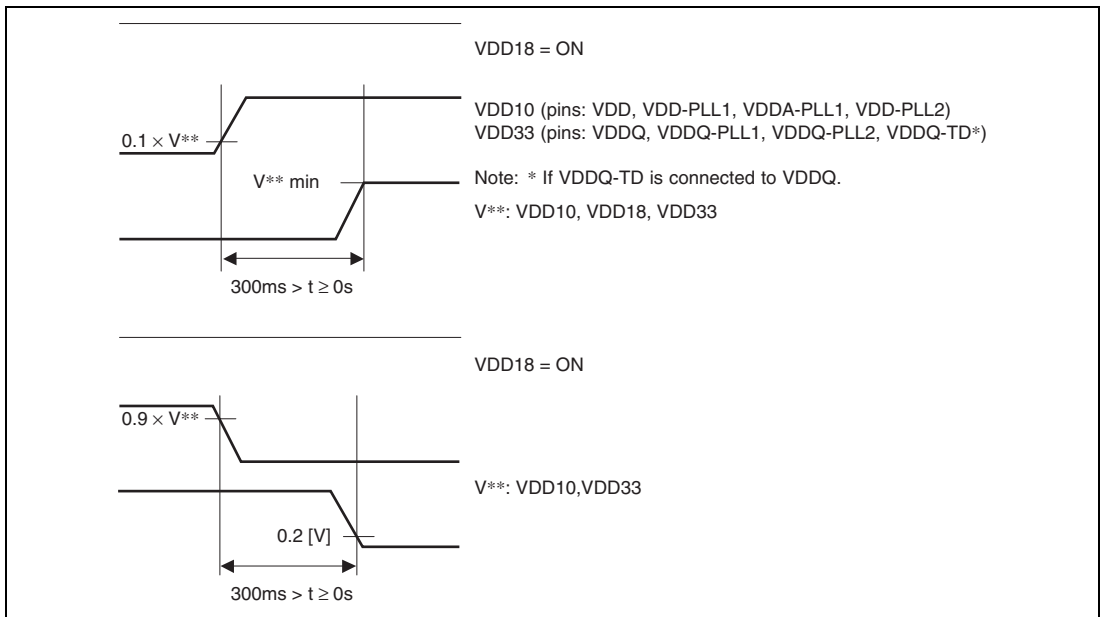


Figure D.2 Power-On and Power-Off Sequences for Power Supplies with Different Potentials in DDR2-SDRAM Power Supply Backup Mode

D.3 Turning On and Off Between the Same Power Supply Series

The order of the power supply in the VDD10 series, the VDD18 series and the VDD33 series power supply is as follows.

Figure D.3 is an explanation chart of VDD10. The regulation of the potential difference is the same VDD10 as the other (VDD10, VDD33).

- Turning On Power Supply

There is no restriction for the order of the power supply between each power supply series except that the potential difference of the one power supply series is less than 0.3V.

- Turning Off Power Supply

There is no restriction for the order of the power supply between each power supply series except that the potential difference of the one power supply series is less than 0.3V.

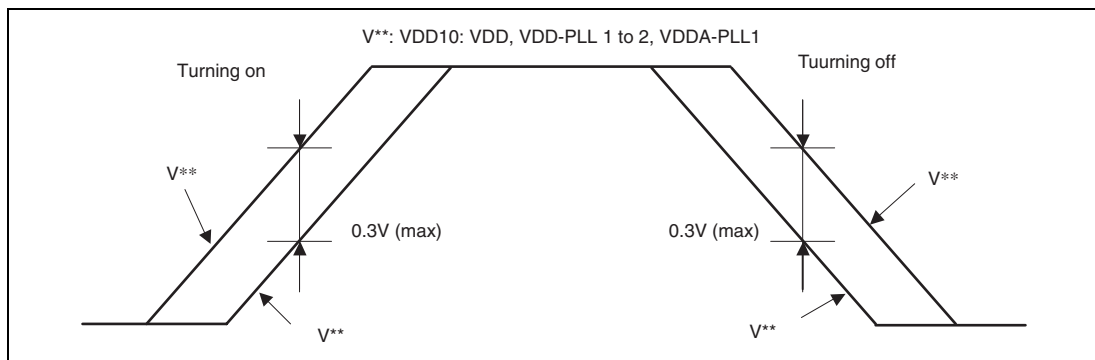


Figure D.3 Sequence of Turning On and Off VDD10 Power Supply Series

E. Version Registers (PVR, PRR)

The SH7785 has the read-only registers which show the version of a processor core, and the version of a product. By using the value of these registers, it becomes possible to be able to distinguish the version and product of a processor from software, and to realize the scalability of the high system. Since the values of the version registers differ for every product, please refer to the hardware manual or contact Renesas Technology Corp.

Note: The bit 7 to bit 0 of PVR register and the bit 3 to bit 0 of PRR register should be masked by the software.

Table E.1 Register Configuration

Register Name	Abbrev.	R/W	Initial Value	P4 Address	Area 7 Address	Access Size
Processor Version Register	PVR	R	H'1030 07xx	H'FF00 0030	H'1F00 0030	32
Product Register	PRR	R	H'0000 02xx	H'FF00 0044	H'1F00 0044	32

Legend:

x: Undefined

• Processor Version Register (PVR)

Bit:	31	30	29	28	27	26	25	24	23	22	21	20	19	18	17	16
	version information															
Initial value	0	0	0	1	0	0	0	0	0	0	1	1	0	0	0	0
R/W:	R	R	R	R	R	R	R	R	R	R	R	R	R	R	R	R
Bit:	15	14	13	12	11	10	9	8	7	6	5	4	3	2	1	0
	version information								—	—	—	—	—	—	—	—
Initial value	0	0	0	0	0	1	1	1	—	—	—	—	—	—	—	—
R/W:	R	R	R	R	R	R	R	R	—	—	—	—	—	—	—	—

• Product Register (PRR)

Bit:	31	30	29	28	27	26	25	24	23	22	21	20	19	18	17	16
	version information															
Initial value	0	0	0	0	0	0	0	0	0	0	0	0	0	0	0	0
R/W:	R	R	R	R	R	R	R	R	R	R	R	R	R	R	R	R
Bit:	15	14	13	12	11	10	9	8	7	6	5	4	3	2	1	0
	version information								—	—	—	—	—	—	—	—
Initial value	0	0	0	0	0	0	1	0	—	—	—	—	—	—	—	—
R/W:	R	R	R	R	R	R	R	R	—	—	—	—	—	—	—	—

F. Product Lineup

Table F.1 SH7785 Product Lineup

Product Type	Voltage	Operating Frequency	Part Number	Operating Temperature	Package
SH7785	1.1 V	600 MHz	R8A77850AADB	-40 to 85°C	436-pin BGA
			R8A77850AADBGV		436-pin BGA (Lead Free)
			R8A77850ANB	-20 to 85°C	436-pin BGA
			R8A77850ANBGV		436-pin BGA (Lead Free)

**Renesas 32-Bit RISC Microcomputer
Hardware Manual
SH7785**

Publication Date: Rev.1.00, January 10, 2008

Published by: Sales Strategic Planning Div.
Renesas Technology Corp.

Edited by: Customer Support Department
Global Strategic Communication Div.
Renesas Solutions Corp.

Renesas Technology Corp. Sales Strategic Planning Div. Nippon Bldg., 2-6-2, Ohte-machi, Chiyoda-ku, Tokyo 100-0004, Japan



RENESAS SALES OFFICES

<http://www.renesas.com>

Refer to "<http://www.renesas.com/en/network>" for the latest and detailed information.

Renesas Technology America, Inc.

450 Holger Way, San Jose, CA 95134-1368, U.S.A
Tel: <1> (408) 382-7500, Fax: <1> (408) 382-7501

Renesas Technology Europe Limited

Dukes Meadow, Millboard Road, Bourne End, Buckinghamshire, SL8 5FH, U.K.
Tel: <44> (1628) 585-100, Fax: <44> (1628) 585-900

Renesas Technology (Shanghai) Co., Ltd.

Unit 204, 205, AZIA Center, No.1233 Lujiazui Ring Rd, Pudong District, Shanghai, China 200120
Tel: <86> (21) 5877-1818, Fax: <86> (21) 6887-7858/7898

Renesas Technology Hong Kong Ltd.

7th Floor, North Tower, World Finance Centre, Harbour City, Canton Road, Tsimshatsui, Kowloon, Hong Kong
Tel: <852> 2265-6688, Fax: <852> 2377-3473

Renesas Technology Taiwan Co., Ltd.

10th Floor, No.99, Fushing North Road, Taipei, Taiwan
Tel: <886> (2) 2715-2888, Fax: <886> (2) 3518-3399

Renesas Technology Singapore Pte. Ltd.

1 Harbour Front Avenue, #06-10, Keppel Bay Tower, Singapore 098632
Tel: <65> 6213-0200, Fax: <65> 6278-8001

Renesas Technology Korea Co., Ltd.

Kukje Center Bldg. 18th Fl., 191, 2-ka, Hangang-ro, Yongsan-ku, Seoul 140-702, Korea
Tel: <82> (2) 796-3115, Fax: <82> (2) 796-2145

Renesas Technology Malaysia Sdn. Bhd

Unit 906, Block B, Menara Amcorp, Amcorp Trade Centre, No.18, Jln Persiaran Barat, 46050 Petaling Jaya, Selangor Darul Ehsan, Malaysia
Tel: <603> 7955-9390, Fax: <603> 7955-9510

SH7785 Hardware Manual



Renesas Technology Corp.
2-6-2, Ote-machi, Chiyoda-ku, Tokyo, 100-0004, Japan